



US00D963770S

(12) **United States Design Patent**
Zheng

(10) **Patent No.:** **US D963,770 S**

(45) **Date of Patent:** **** Sep. 13, 2022**

(54) **BASKETBALL STAND**

(71) Applicant: **Shenzhen Baisuifang Biological Technology Co., Ltd.**, Shenzhen (CN)

(72) Inventor: **Haishan Zheng**, Shenzhen (CN)

(**) Term: **15 Years**

(21) Appl. No.: **29/746,991**

(22) Filed: **Aug. 19, 2020**

(30) **Foreign Application Priority Data**

Jul. 23, 2020 (CN) 202030405521.1

(51) **LOC (13) Cl.** **21-02**

(52) **U.S. Cl.**
USPC **D21/702**

(58) **Field of Classification Search**
USPC D21/301, 302, 314, 699, 781, 305, 719,
D21/698, 398, 701-705, 713-715, 799.1,
D21/303; D11/303, 780, 717
CPC A63B 61/02; A63B 2063/001; A63B
2063/086; A63B 69/36; A63B 69/40;
A63B 61/003; A63B 61/006; A63B
61/04; A63B 63/004; A63B 63/008; A63B
63/083; A63B 63/08; A63B 63/00; A63B
69/0095; A63B 71/02; A63B 71/022;
A63B 69/002; A63B 69/0097; A63B
69/0071; A63B 2071/026; A63B 2102/14;
A63B 2225/093; A63B 71/023; A63B
71/028; A63B 2102/32;

(Continued)

(56) **References Cited**

U.S. PATENT DOCUMENTS

3,788,642 A * 1/1974 Matras A63B 63/083
473/481
4,145,044 A * 3/1979 Wilson A63B 63/083
248/188.1

(Continued)

OTHER PUBLICATIONS

Best Choice Products Kids Height-Adjustable Basketball Hoop.
Date Posted: Mar. 23, 2017. Retrieved from internet: <<https://www.amazon.com/Best-Choice-Products-Height-Adjustable-Basketball/dp/B06XTGF1ZY/>> [site visited Dec. 10, 2021] (Year: 2017).*

(Continued)

Primary Examiner — Katherine Glennon

Assistant Examiner — Yuan Yuan

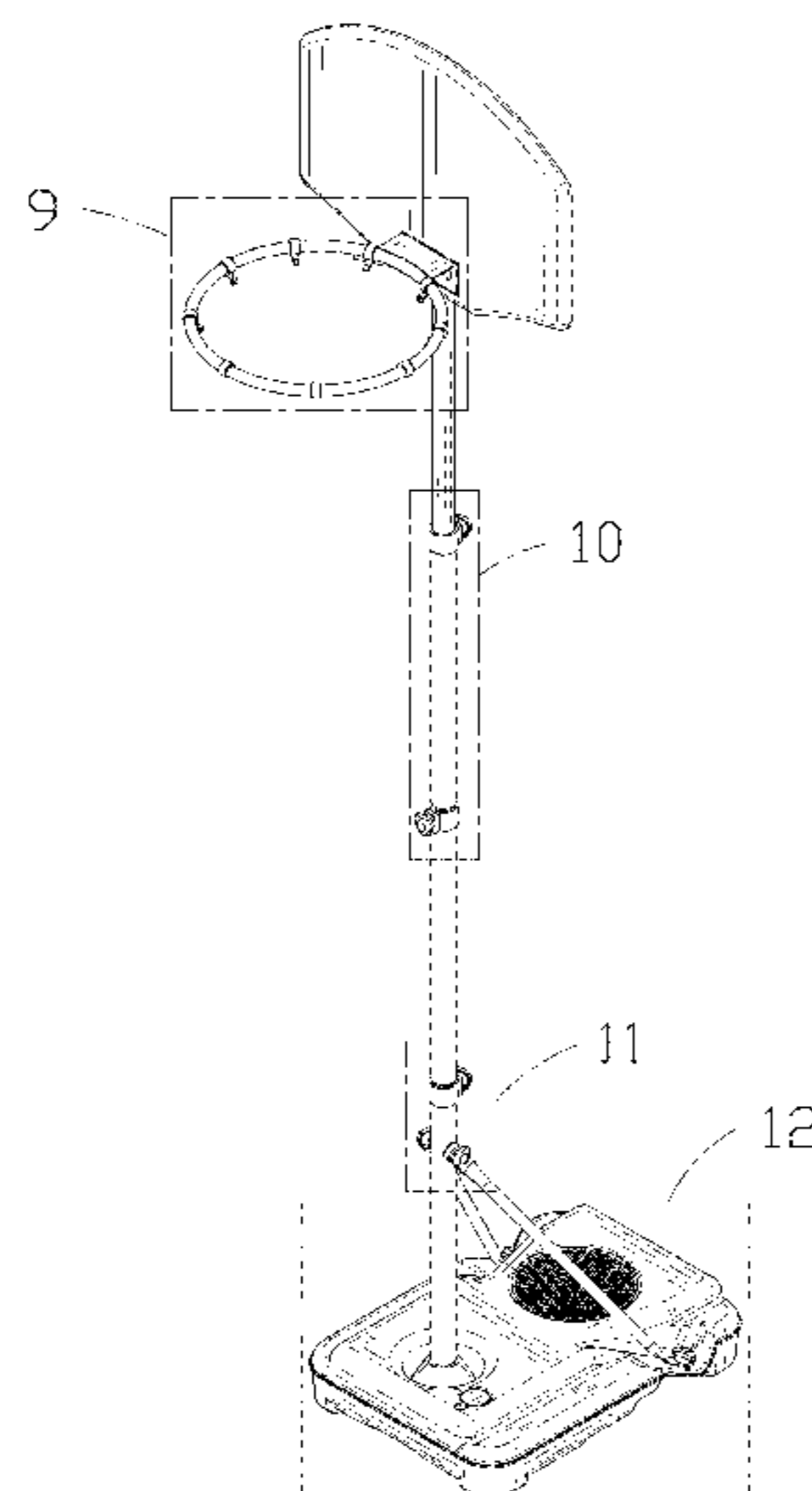
(57) **CLAIM**

The ornamental design for a basketball stand, as shown and described.

DESCRIPTION

FIG. 1 is a front perspective view of a basketball stand showing my new design;
FIG. 2 is a back perspective view thereof;
FIG. 3 is a front view thereof;
FIG. 4 is a back view thereof;
FIG. 5 is a left side view thereof;
FIG. 6 is a right side view thereof;
FIG. 7 is a top view thereof;
FIG. 8 is a bottom view thereof;
FIG. 9 is an enlarged view of the encircled portion 9 in FIG. 1;
FIG. 10 is an enlarged view of the encircled portion 10 in FIG. 1;
FIG. 11 is an enlarged view of the encircled portion 11 in FIG. 1;
FIG. 12 is an enlarged view of the encircled portion 12 in FIG. 1;
FIG. 13 is an enlarged view of the encircled portion 13 in FIG. 2;
FIG. 14 is an enlarged view of the encircled portion 14 in FIG. 2;
FIG. 15 is an enlarged top view thereof; and,
FIG. 16 is an enlarged view of the encircled portion 16 in FIG. 7.

1 Claim, 16 Drawing Sheets



(58) **Field of Classification Search**

CPC A63B 2225/60; A63B 2225/605; A63B
2225/62; A63B 2243/0025; A63B
2243/0037; A63B 2243/0095; A63B
2243/007; A63B 71/0045

See application file for complete search history.

(56) **References Cited**

U.S. PATENT DOCUMENTS

D299,041 S * 12/1988 Thornell D21/702
D320,637 S * 10/1991 Fish, Jr. D21/702
5,082,261 A * 1/1992 Pelfrey A63B 71/023
248/407
5,248,140 A * 9/1993 Mower A63B 63/083
206/315.1
5,259,612 A * 11/1993 Matherne A63B 71/023
220/375
D351,881 S * 10/1994 Taylor D21/702
5,354,049 A * 10/1994 Matherne A63B 63/083
206/315.1

5,573,237 A * 11/1996 Van Nimwegen ... A63B 63/083
248/161
D695,859 S * 12/2013 Holland D21/701
2005/0090336 A1* 4/2005 Nye A63B 63/083
473/446
2005/0221921 A1* 10/2005 Beane A63B 69/0071
473/485
2006/0293125 A1* 12/2006 Nye A63B 63/083
473/479
2015/0367213 A1* 12/2015 Olsen A63B 63/083
473/483
2020/0306604 A1* 10/2020 Zimmer A63B 71/023

OTHER PUBLICATIONS

Youth Basketball Hoop for Kids Indoor and Outdoor Stand 8.7'
Portable and Adjustable Height. Date Posted: Mar. 18, 2019.
Retrieved from internet: <<https://www.amazon.com/Kiddie-Play-Basketball-Portable-Adjustable/dp/B07PSK92ZG/>> [site visited Dec.
8, 2021] (Year: 2019).*

* cited by examiner

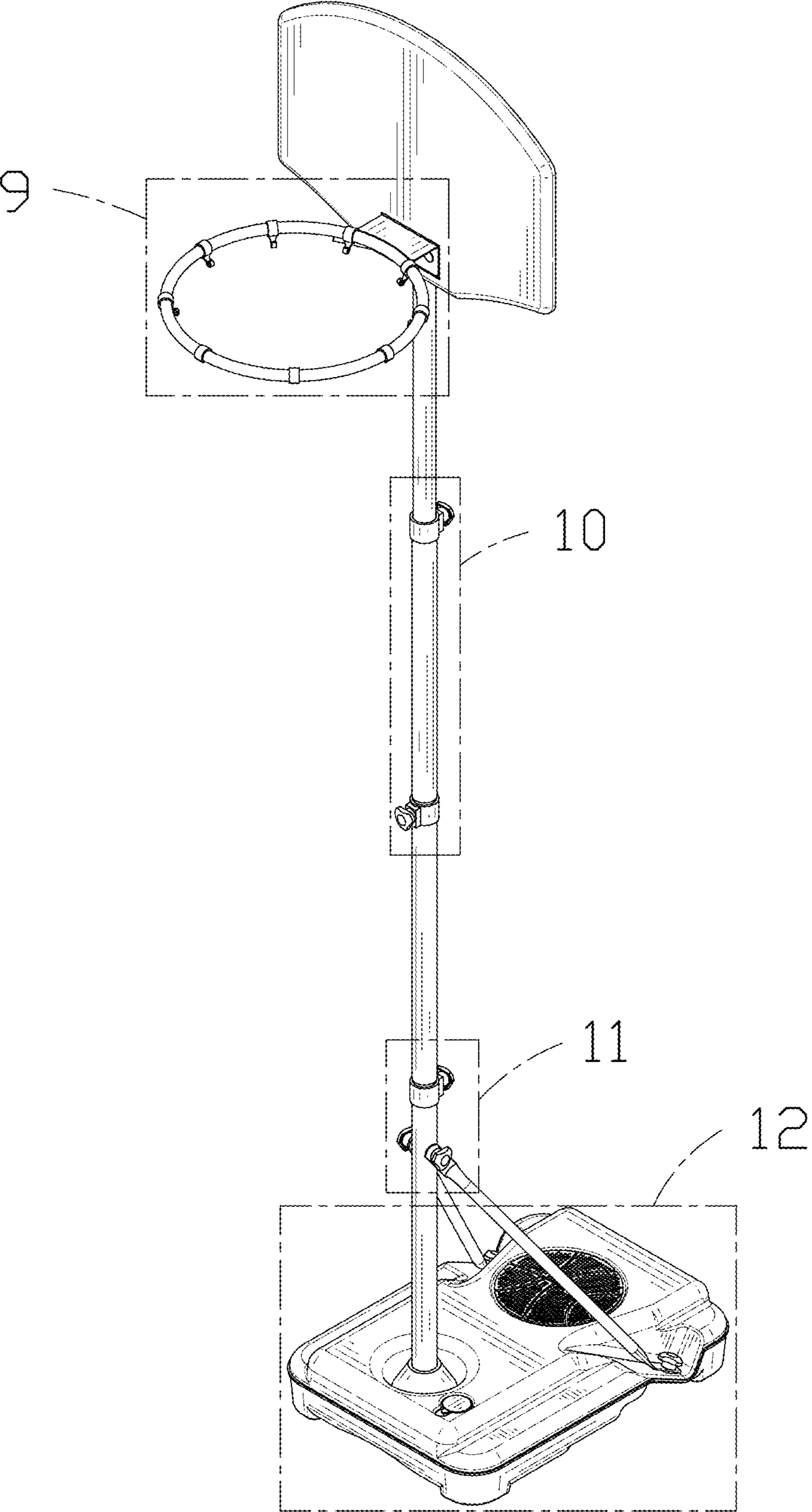


FIG. 1

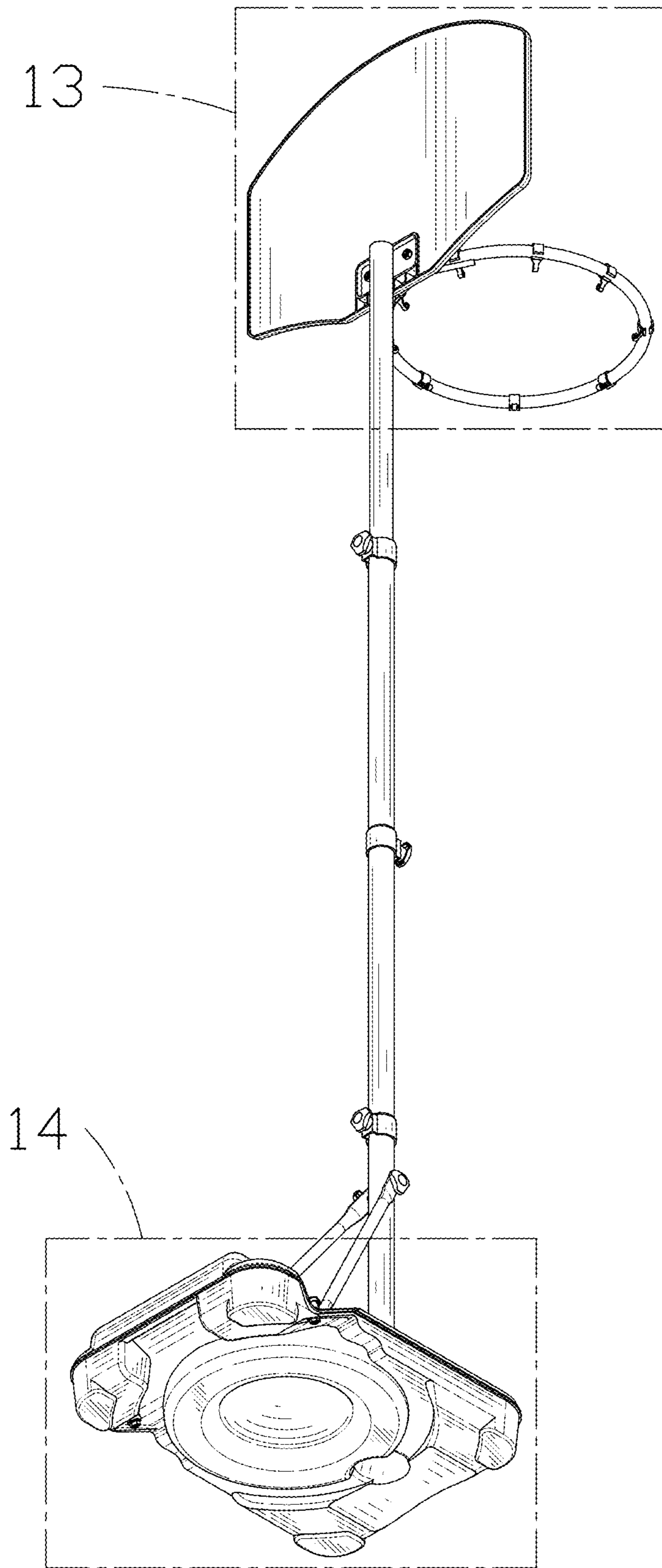


FIG. 2

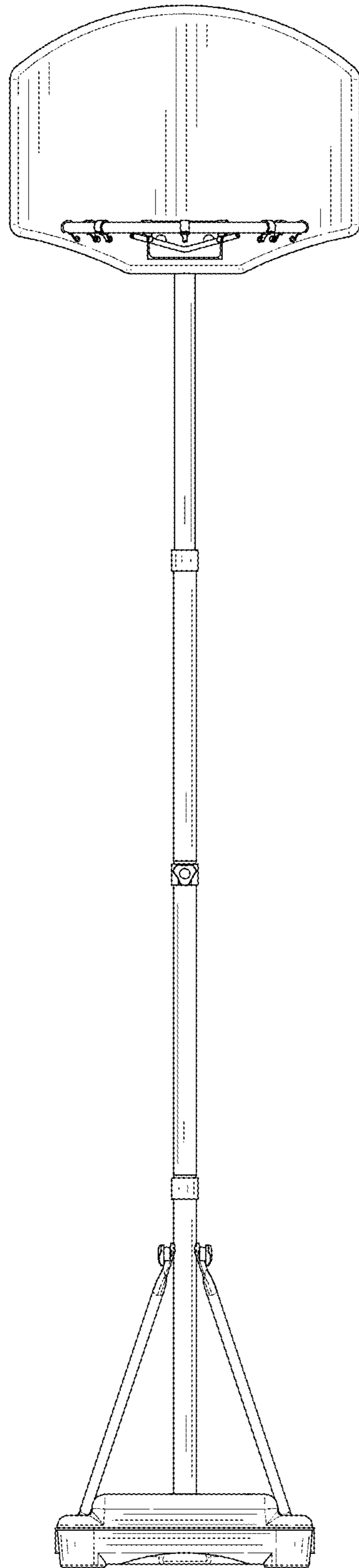


FIG. 3

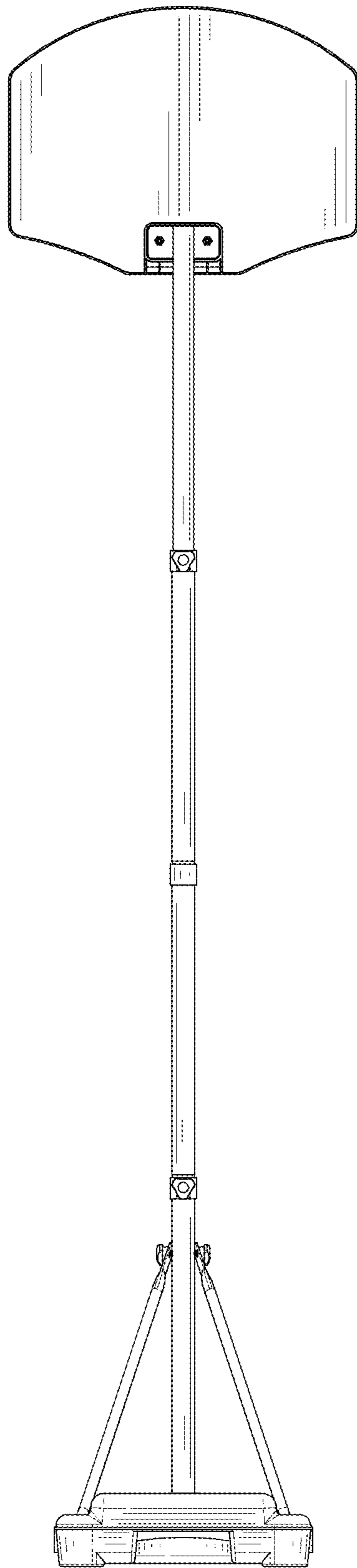


FIG. 4

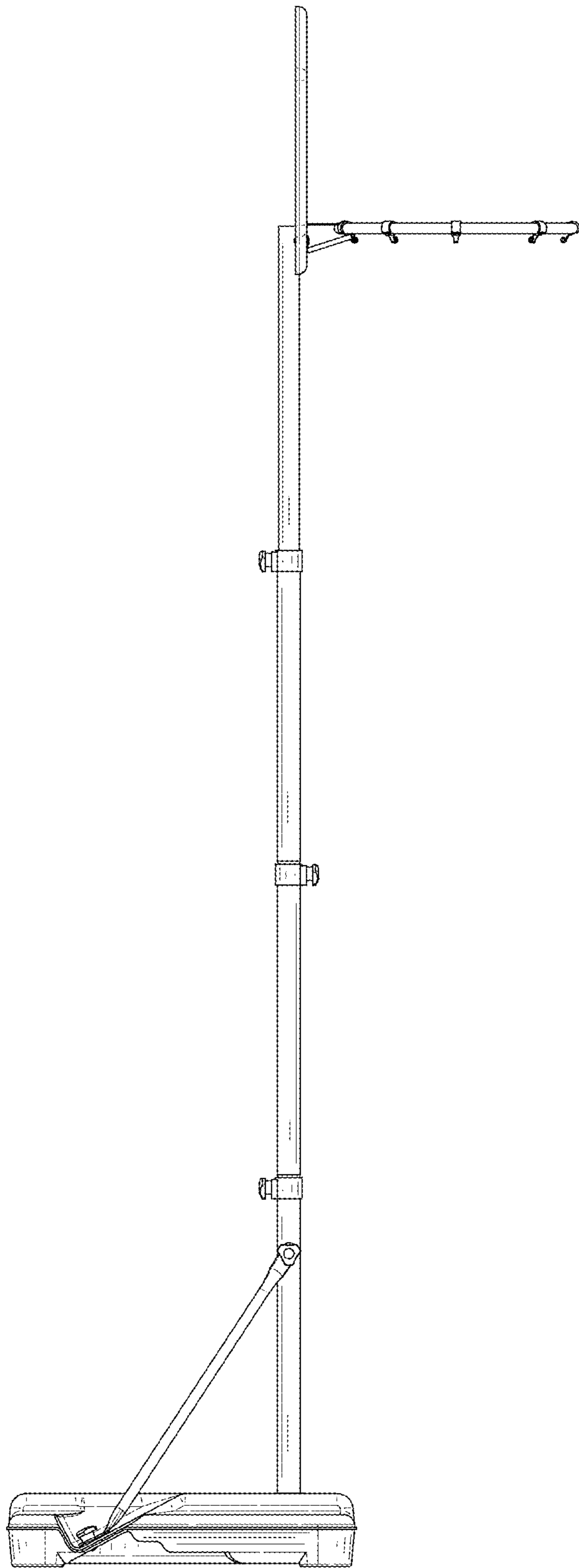


FIG. 5

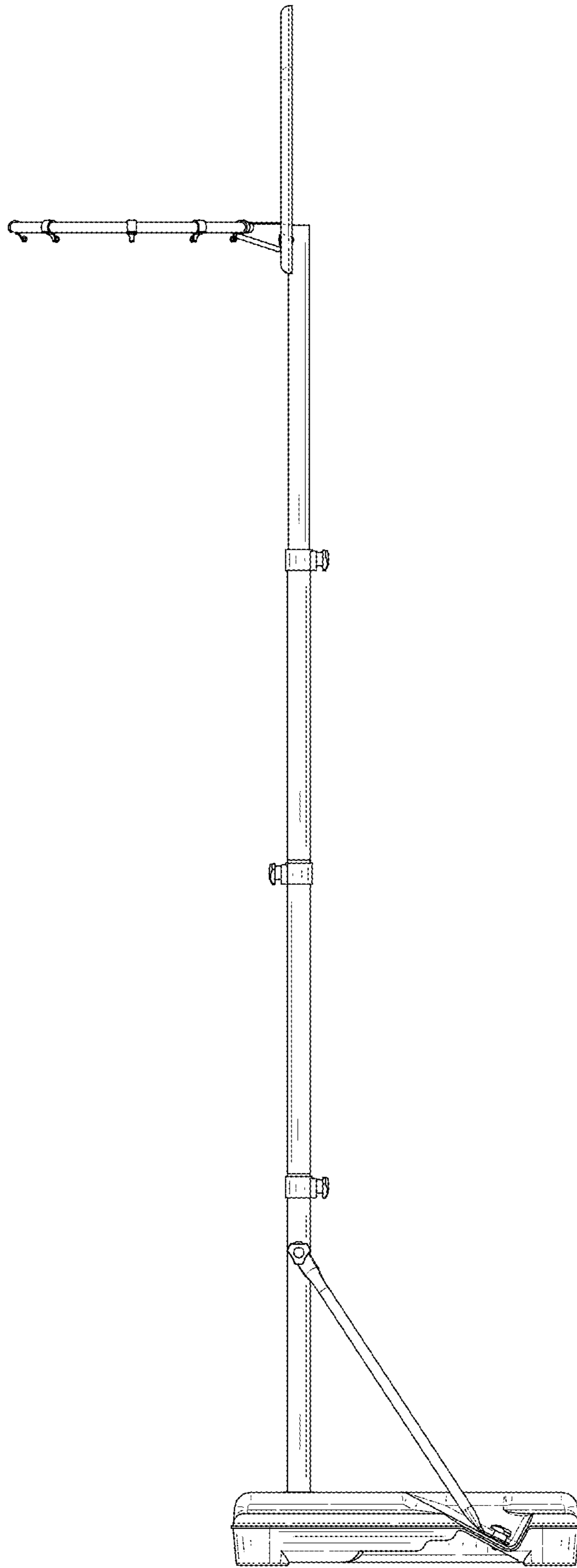


FIG. 6

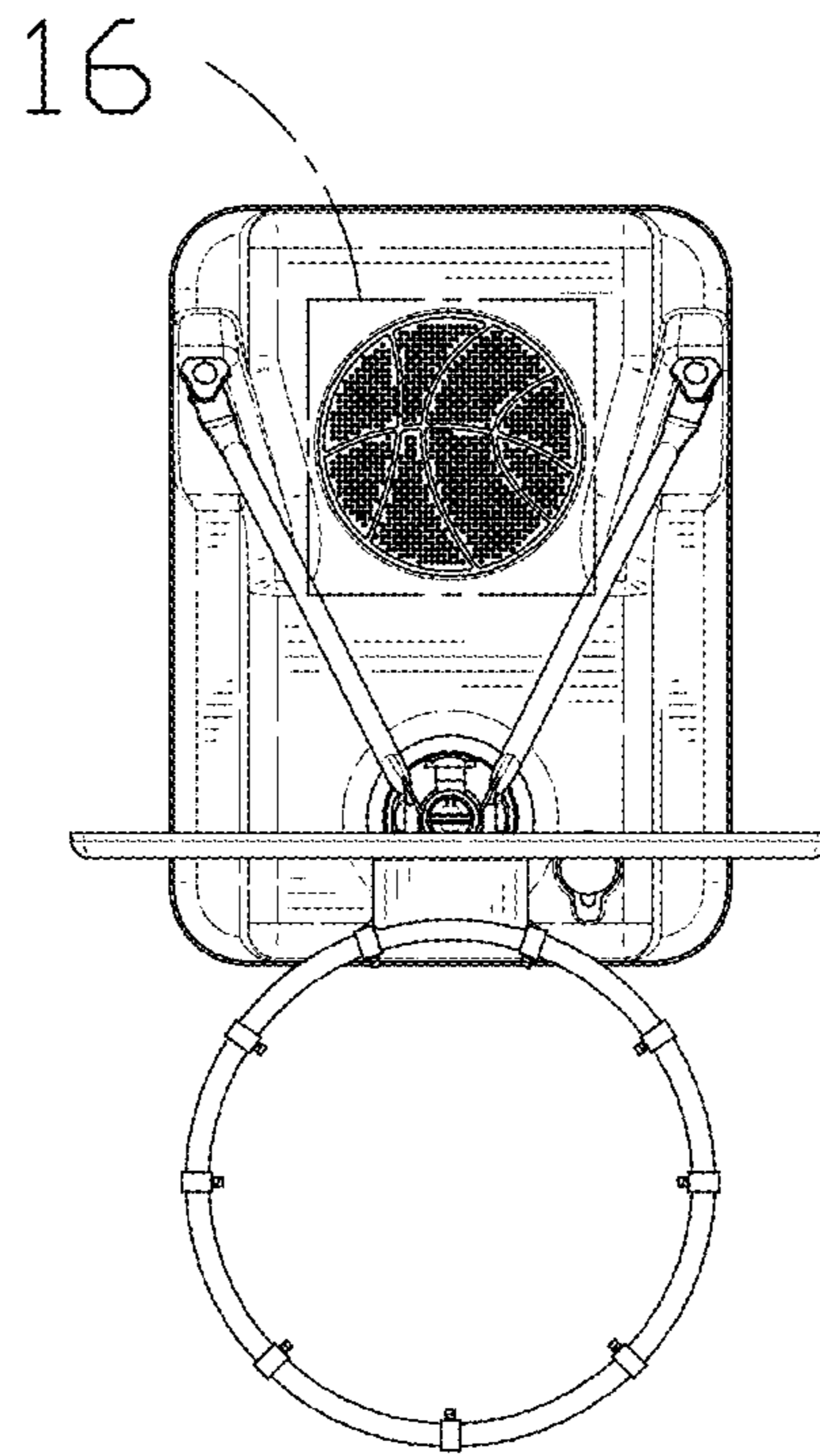


FIG. 7

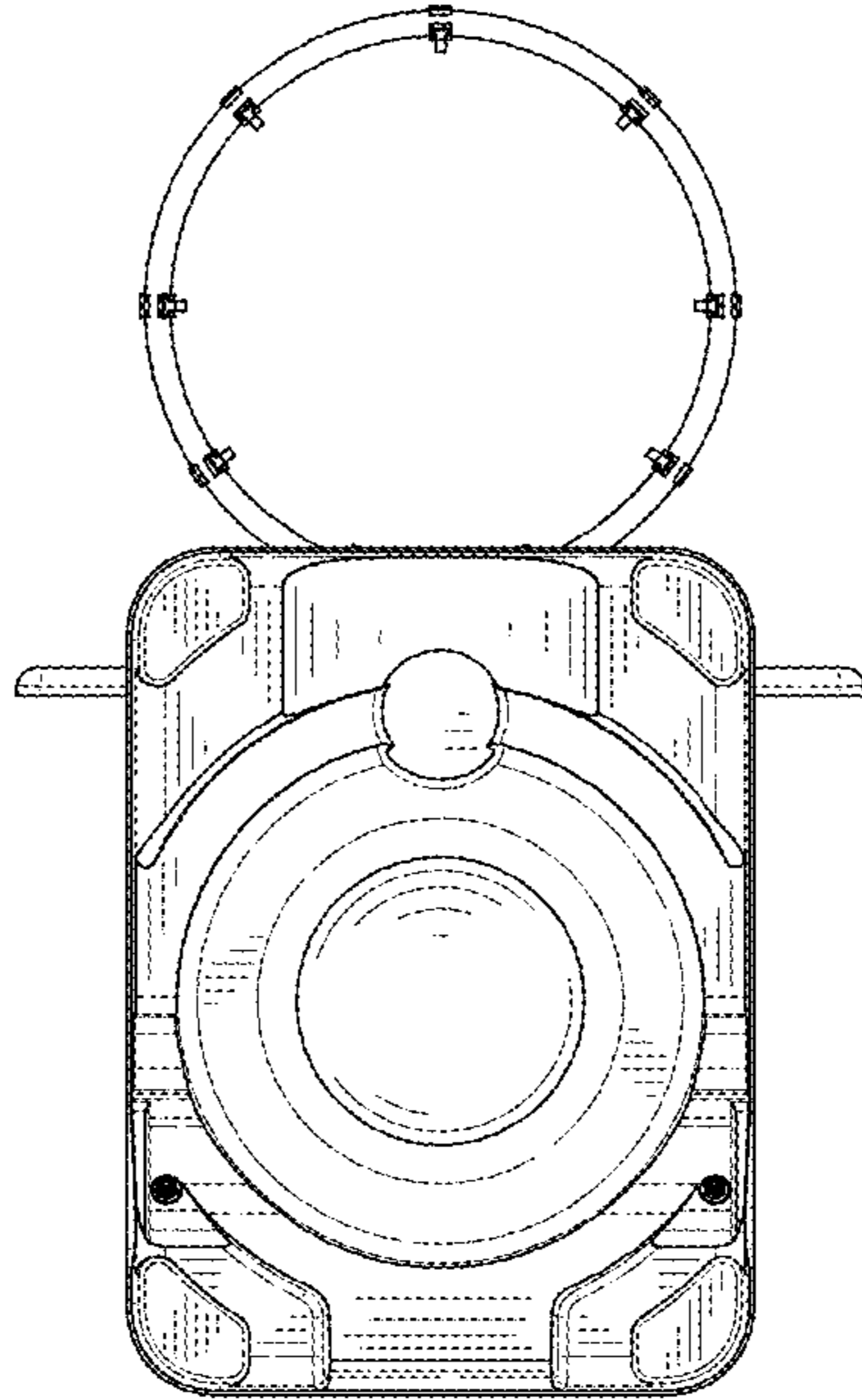


FIG. 8

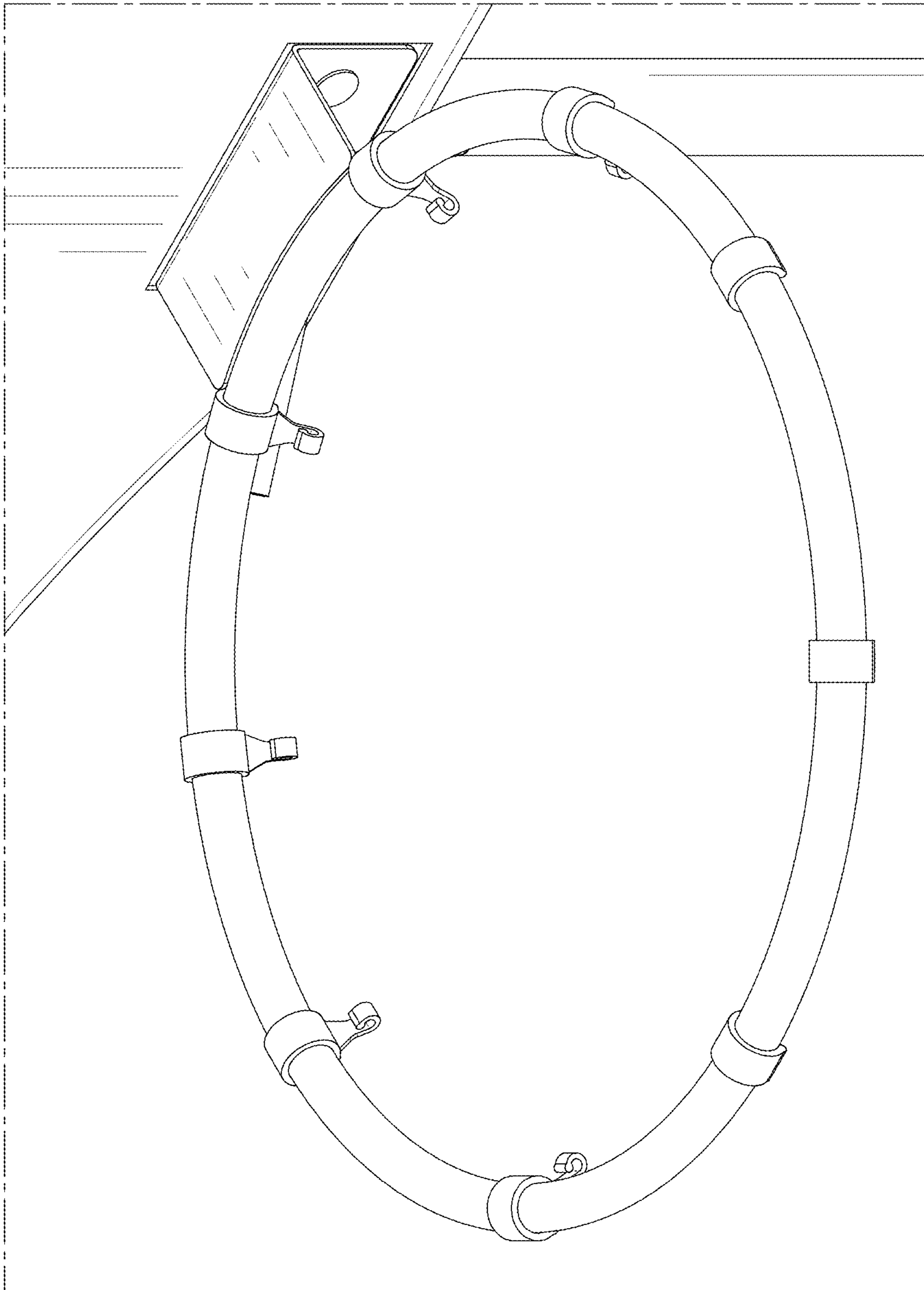


FIG. 9

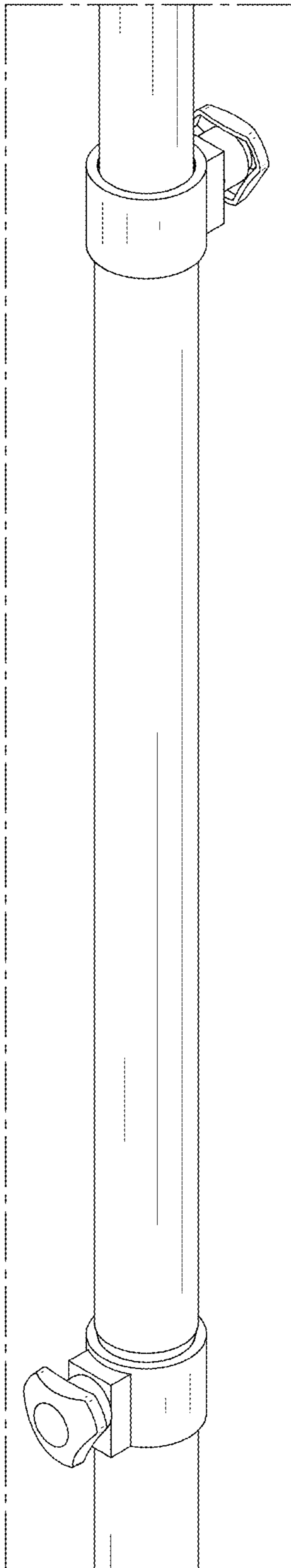


FIG. 10

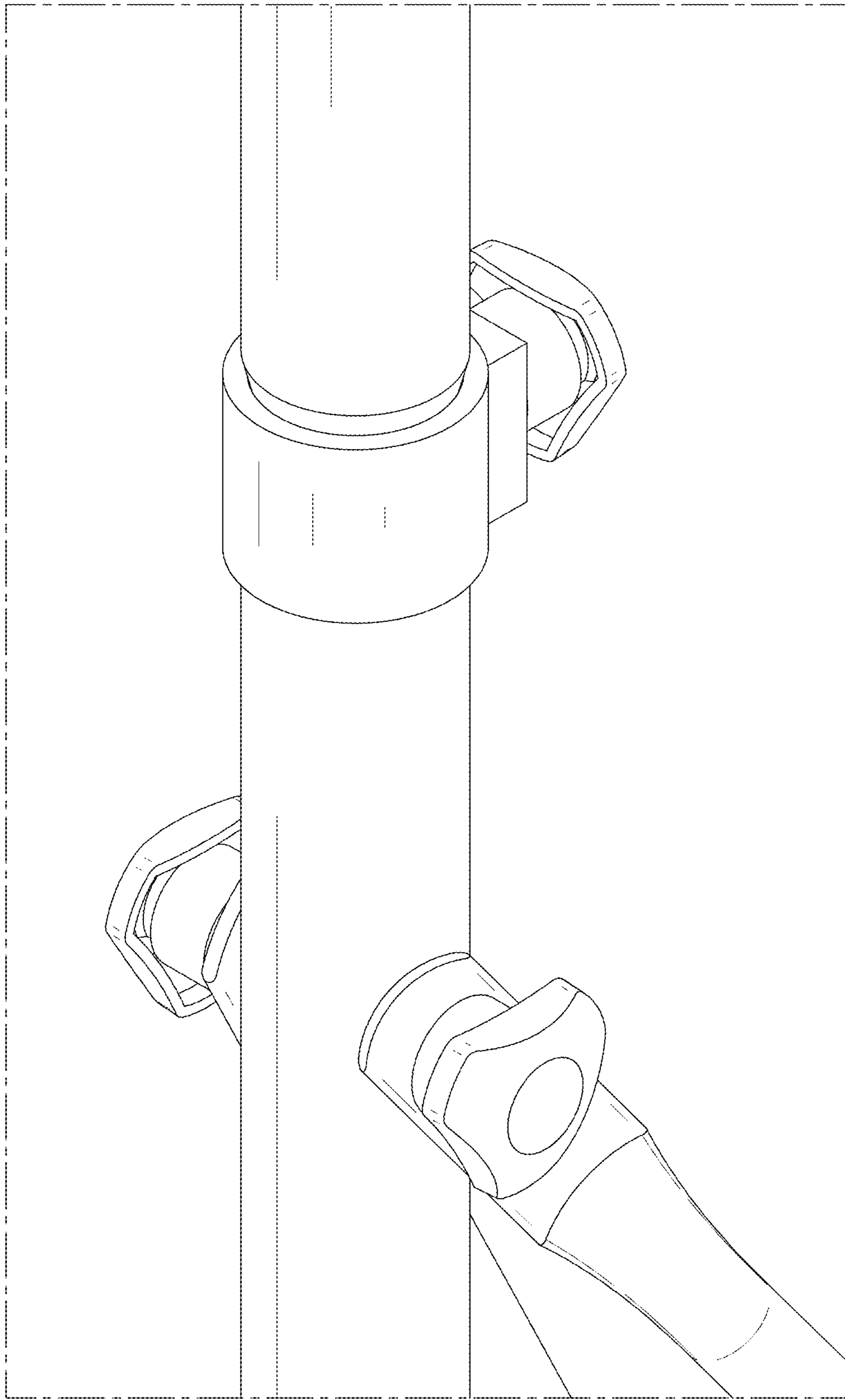


FIG. 11

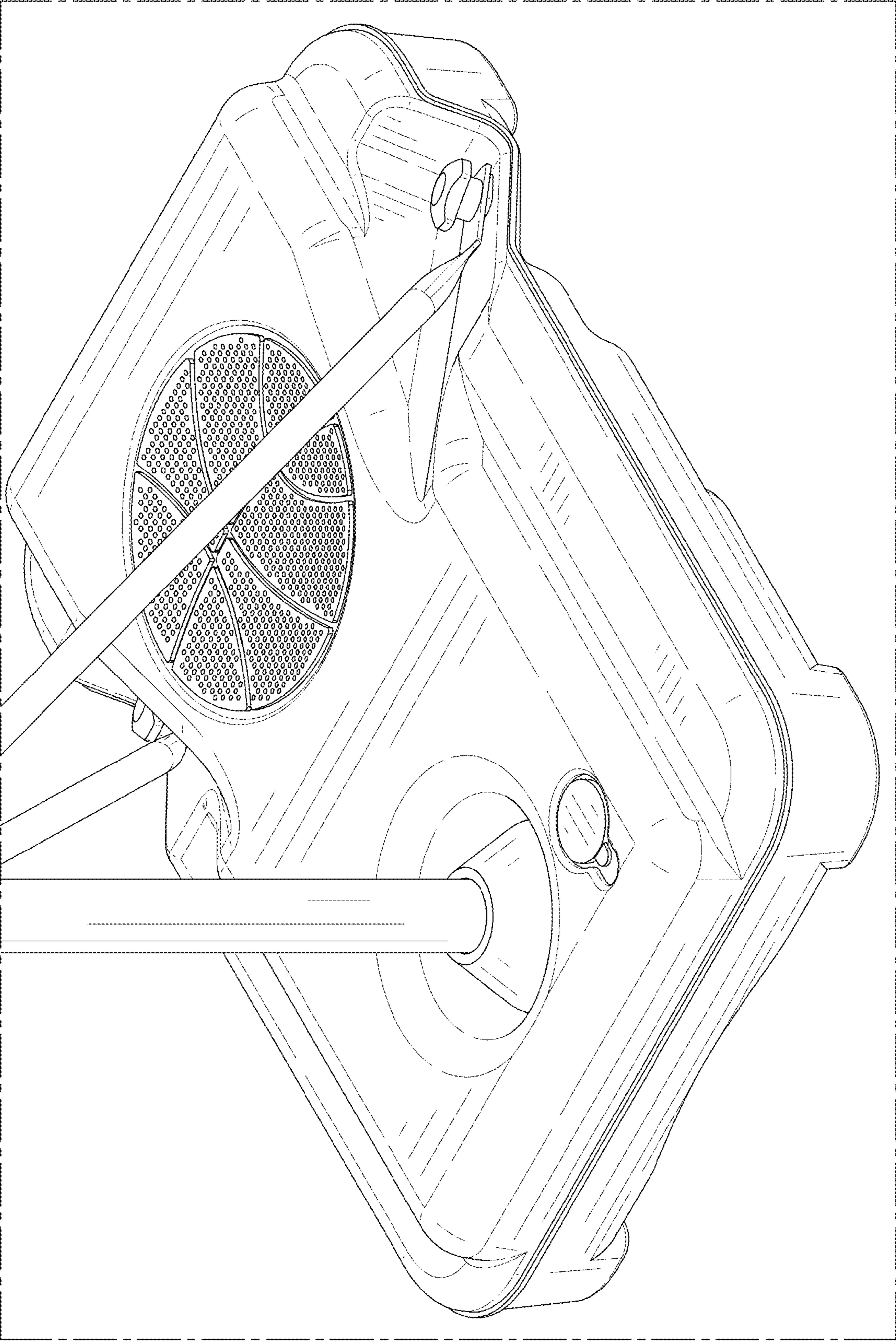


FIG. 12

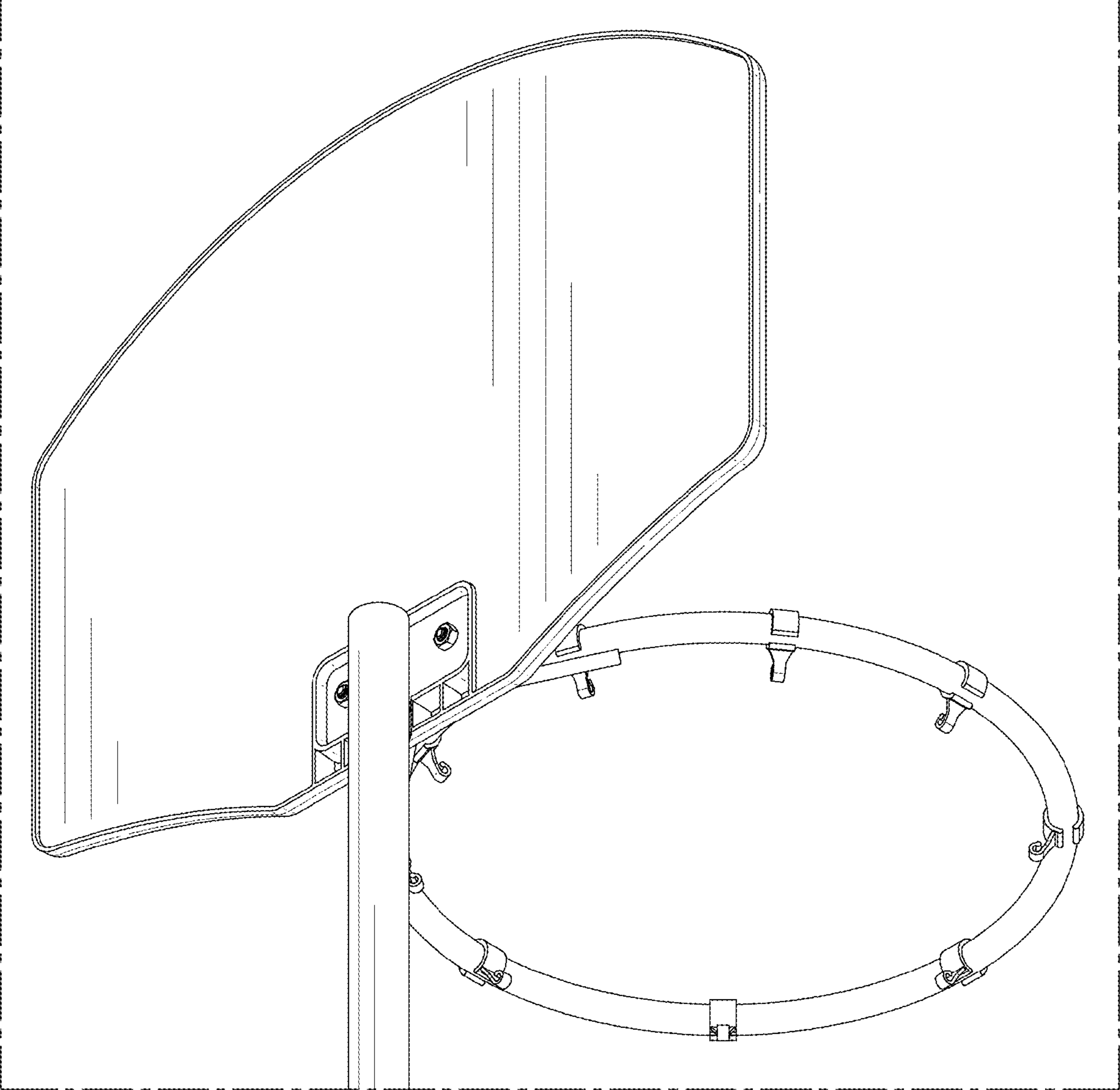


FIG. 13

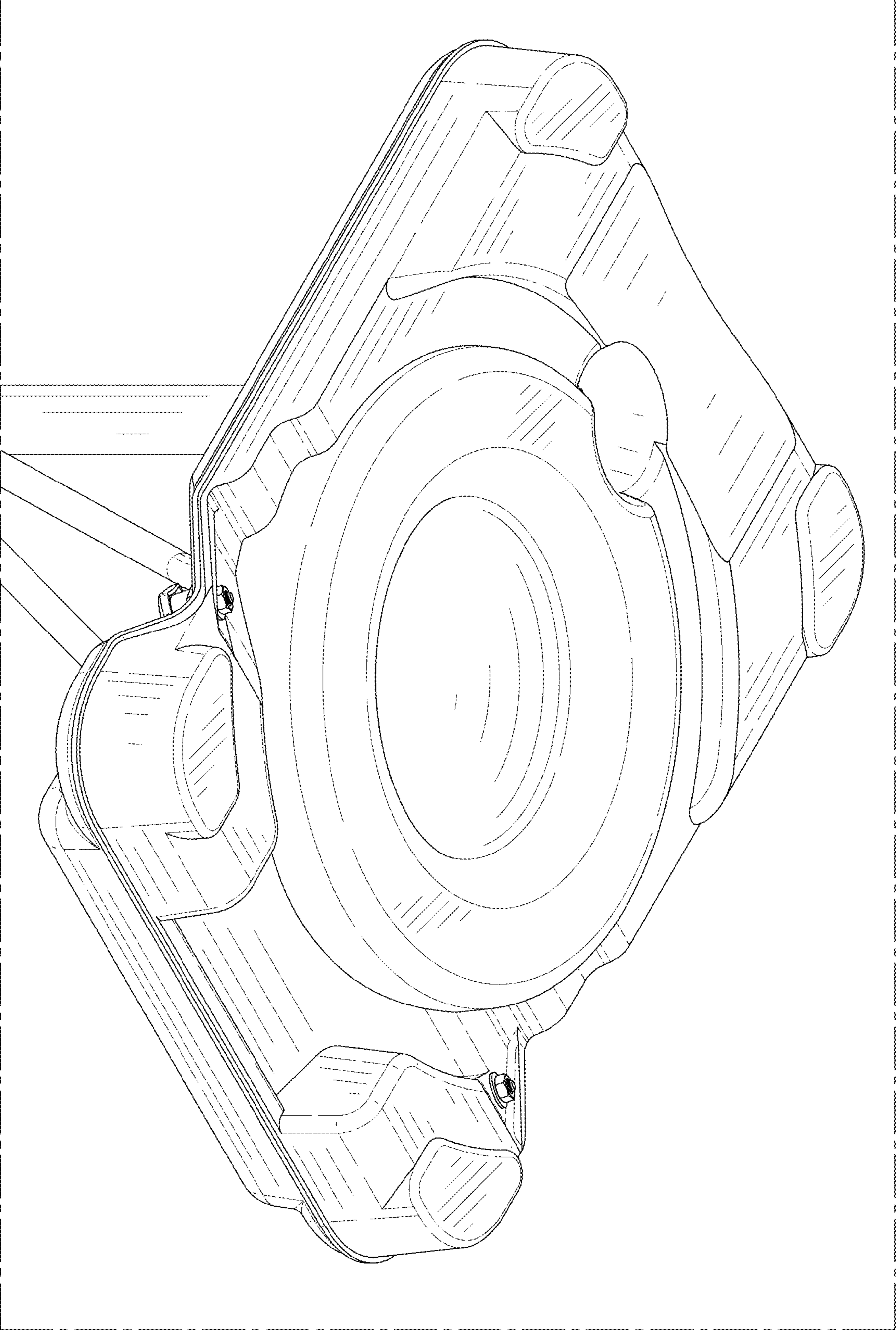


FIG. 14

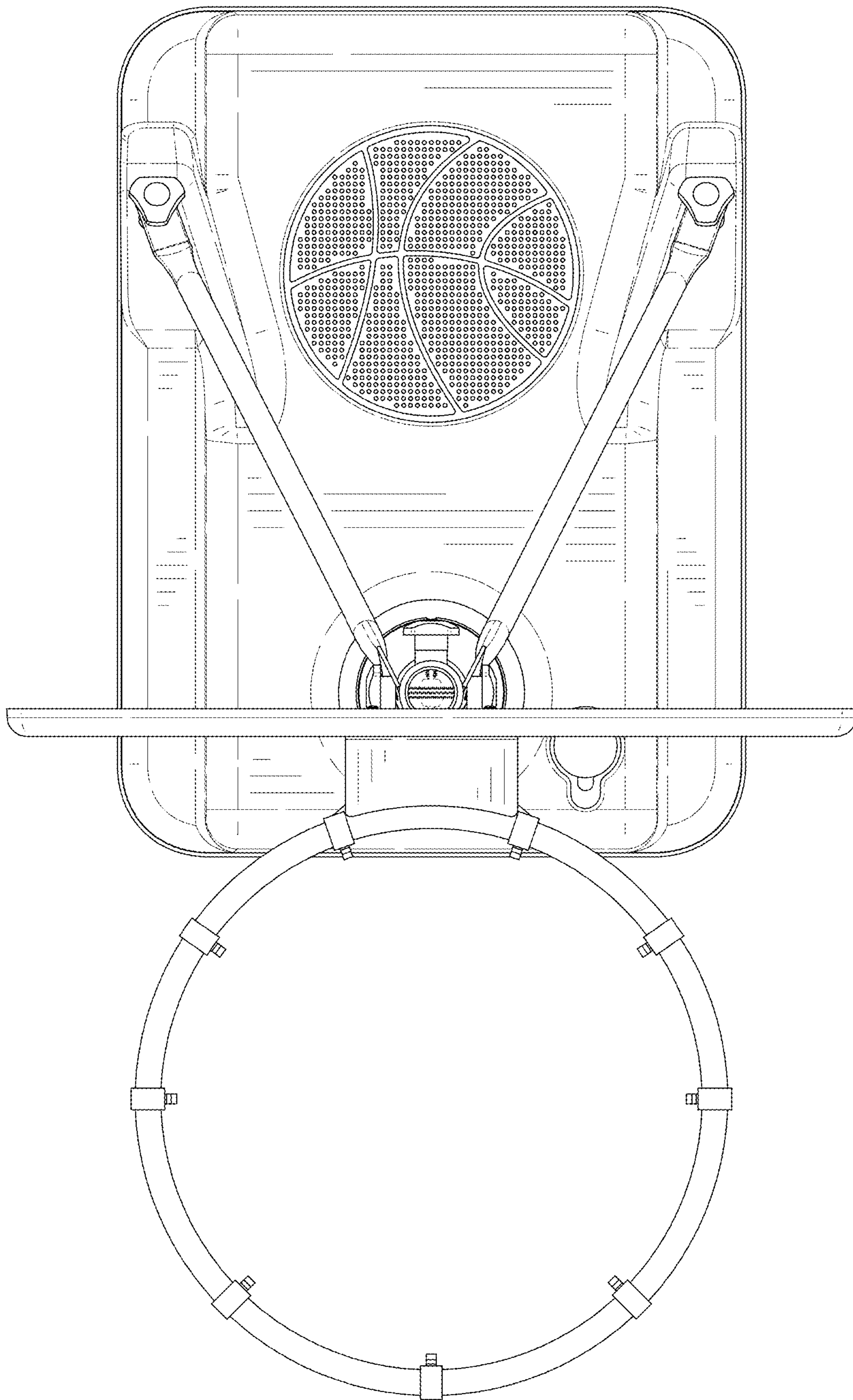


FIG. 15

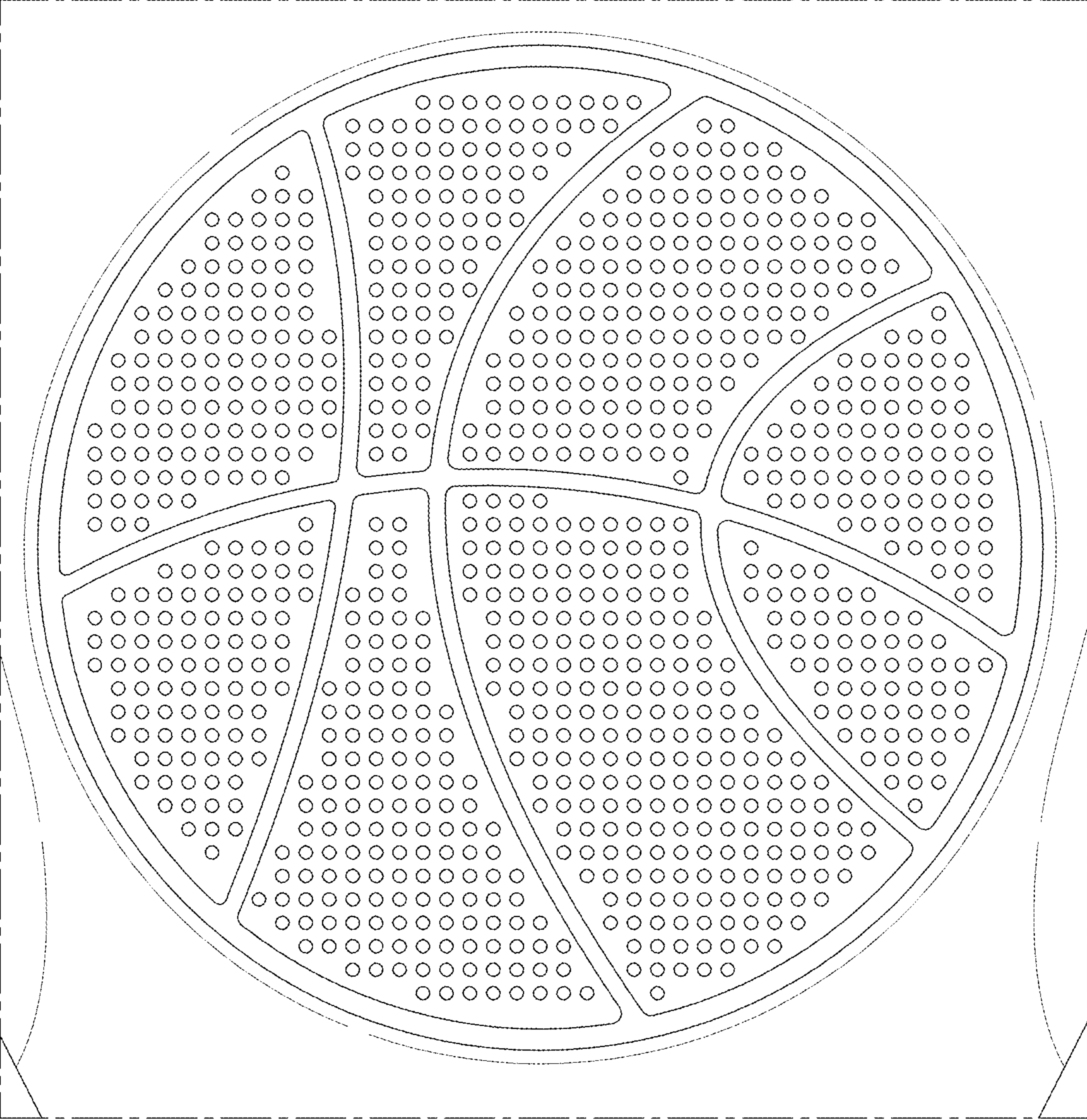


FIG. 16