



US00D963769S

(12) **United States Design Patent**  
**Khubani et al.**

(10) **Patent No.:** **US D963,769 S**  
(45) **Date of Patent:** **\*\* Sep. 13, 2022**

(54) **ELLIPTICAL MACHINE**

(71) Applicant: **DaVinci II CSJ, LLC**, Fairfield, NJ  
(US)

(72) Inventors: **Ajit Khubani**, Saddle River, NJ (US);  
**Paul Dowd**, Scarsdale, NJ (US);  
**Damian Mucaro**, Hackensack, NJ (US)

(73) Assignee: **DaVinci II CSJ, LLC**, Fairfield, NJ  
(US)

(\*\*) Term: **15 Years**

(21) Appl. No.: **29/762,940**

(22) Filed: **Dec. 18, 2020**

(51) **LOC (13) Cl.** ..... **21-02**

(52) **U.S. Cl.**  
USPC ..... **D21/671**

(58) **Field of Classification Search**  
USPC ..... D21/662, 690, 686, 685, 671, 688, 668,  
D21/673, 682, 677, 665, 796, 791, 334;  
D24/192, 212, 213, 214  
See application file for complete search history.

(56) **References Cited**

**U.S. PATENT DOCUMENTS**

3,779,548	A	12/1973	Sato	
3,831,942	A	8/1974	Del Mar	
3,917,261	A	11/1975	Small et al.	
4,332,380	A	6/1982	Cardin	
4,632,384	A	12/1986	Bright	
4,869,492	A	9/1989	Joutras	
5,685,804	A	11/1997	Whan-Tong et al.	
5,860,941	A	1/1999	Saringer et al.	
5,947,868	A	9/1999	Dugan	
D481,085	S *	10/2003	Ben-Moshe	D21/668
D496,700	S *	9/2004	Chen	D21/668
D519,583	S *	4/2006	Chen	D21/668
7,041,037	B2	5/2006	Huang	

7,314,432	B2	1/2008	Liao	
D569,455	S *	5/2008	Dukhande	D21/668
7,385,324	B2	6/2008	Lin	
D575,836	S	8/2008	Hsiao	
7,485,073	B2	2/2009	Chang	
7,695,410	B2	4/2010	Kim	

(Continued)

**OTHER PUBLICATIONS**

Perlecare, announced 2020[online], [site visited Nov. 19, 2021]. Available on internet, URL:https://www.amazon.com/PERLECARE-Elliptical-Portable-Adjustable-Resistance/dp/B08MTHQD62/ref (Year: 2020).\*

(Continued)

*Primary Examiner* — Khawaja Anwar

*Assistant Examiner* — Julice Seung Eun Oum

(74) *Attorney, Agent, or Firm* — Wolf, Greenfield & Sacks, P.C.

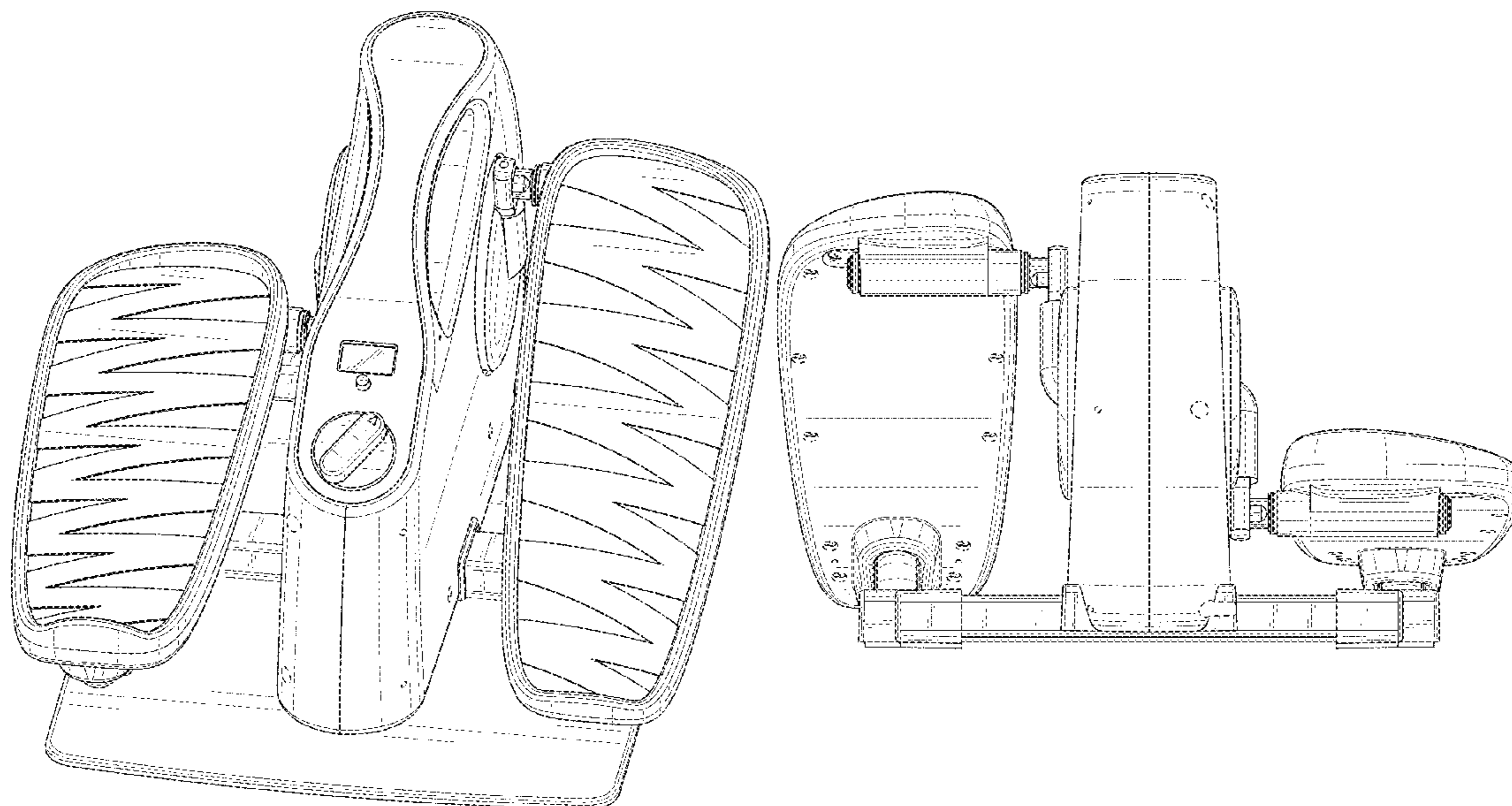
(57) **CLAIM**

The ornamental design for an elliptical machine, as shown and described.

**DESCRIPTION**

FIG. 1 is a top, front, right side perspective view of an elliptical machine showing our new design; FIG. 2 is a front elevation view thereof; FIG. 3 is a rear elevation view thereof; FIG. 4 is a left side elevation view thereof; FIG. 5 is a right side elevation view thereof; FIG. 6 is a top plan view thereof; and, FIG. 7 is a bottom plan view thereof. The short dash-long dash broken lines illustrate boundaries of the claimed design and form no part of the claimed design. The dash-dash broken lines illustrate portions of the elliptical machine that form no part of the claimed design.

**1 Claim, 7 Drawing Sheets**



(56)

References Cited

U.S. PATENT DOCUMENTS

7,901,331 B1 3/2011 Stoll  
 D684,222 S \* 6/2013 Kim ..... D21/662  
 D728,707 S 5/2015 Colburn  
 9,433,815 B1 9/2016 Hughes  
 D771,204 S \* 11/2016 Ho ..... D21/668  
 D773,567 S \* 12/2016 Chuang ..... D21/668  
 9,713,739 B2 7/2017 Dalmia  
 D793,494 S \* 8/2017 Mansfield ..... D21/668  
 D796,591 S 9/2017 Ho et al.  
 9,757,611 B1 9/2017 Colburn  
 D822,773 S 7/2018 Khubani  
 10,080,918 B2 9/2018 Dalmia  
 D843,502 S \* 3/2019 Hsieh ..... D21/668  
 10,252,102 B2 4/2019 Dalmia  
 10,569,124 B2 2/2020 Dalmia et al.  
 D906,445 S 12/2020 Colburn  
 D945,538 S \* 3/2022 Chen ..... D21/670  
 D949,255 S \* 4/2022 Hsieh ..... D21/670  
 11,291,879 B1 \* 4/2022 Khubani ..... A63B 21/154  
 2003/0036462 A1 2/2003 Ravikumar et al.  
 2004/0009848 A1 1/2004 Lee  
 2005/0153153 A1 7/2005 Saur et al.  
 2005/0288155 A1 \* 12/2005 Yang ..... A63B 22/001  
 482/52

2008/0058168 A1 3/2008 Lin  
 2008/0076639 A1 \* 3/2008 Fon ..... A63B 22/0664  
 482/62  
 2008/0194388 A1 8/2008 Chen  
 2009/0149300 A1 6/2009 Chen  
 2010/0210425 A1 8/2010 Bowser  
 2014/0274622 A1 9/2014 Leonhard  
 2016/0107026 A1 4/2016 Hsu  
 2016/0317859 A1 11/2016 Dalmia  
 2017/0216660 A1 \* 8/2017 Lernihan ..... A63B 22/0664  
 2017/0252603 A1 9/2017 Wu  
 2018/0015321 A1 1/2018 Ho et al.  
 2018/0207474 A1 \* 7/2018 Chen ..... A63B 21/4034  
 2019/0232106 A1 8/2019 Dalmia et al.  
 2019/0299053 A1 10/2019 Friedman et al.  
 2020/0016452 A1 \* 1/2020 Dalmia ..... H04M 1/72403  
 2020/0129804 A1 \* 4/2020 Colburn ..... A63B 21/225  
 2021/0138304 A1 5/2021 Mason et al.

OTHER PUBLICATIONS

Ativafit, announced 2019[online], [site visited Nov. 19, 2021].  
 Available on internet, URL:[https://www.amazon.com/ATIVAFIT-Elliptical-Exerciser-Adjustable-Resistance/dp/B07TPJ3WWM/ref\(Year:2019\).\\*](https://www.amazon.com/ATIVAFIT-Elliptical-Exerciser-Adjustable-Resistance/dp/B07TPJ3WWM/ref(Year:2019).*)

\* cited by examiner

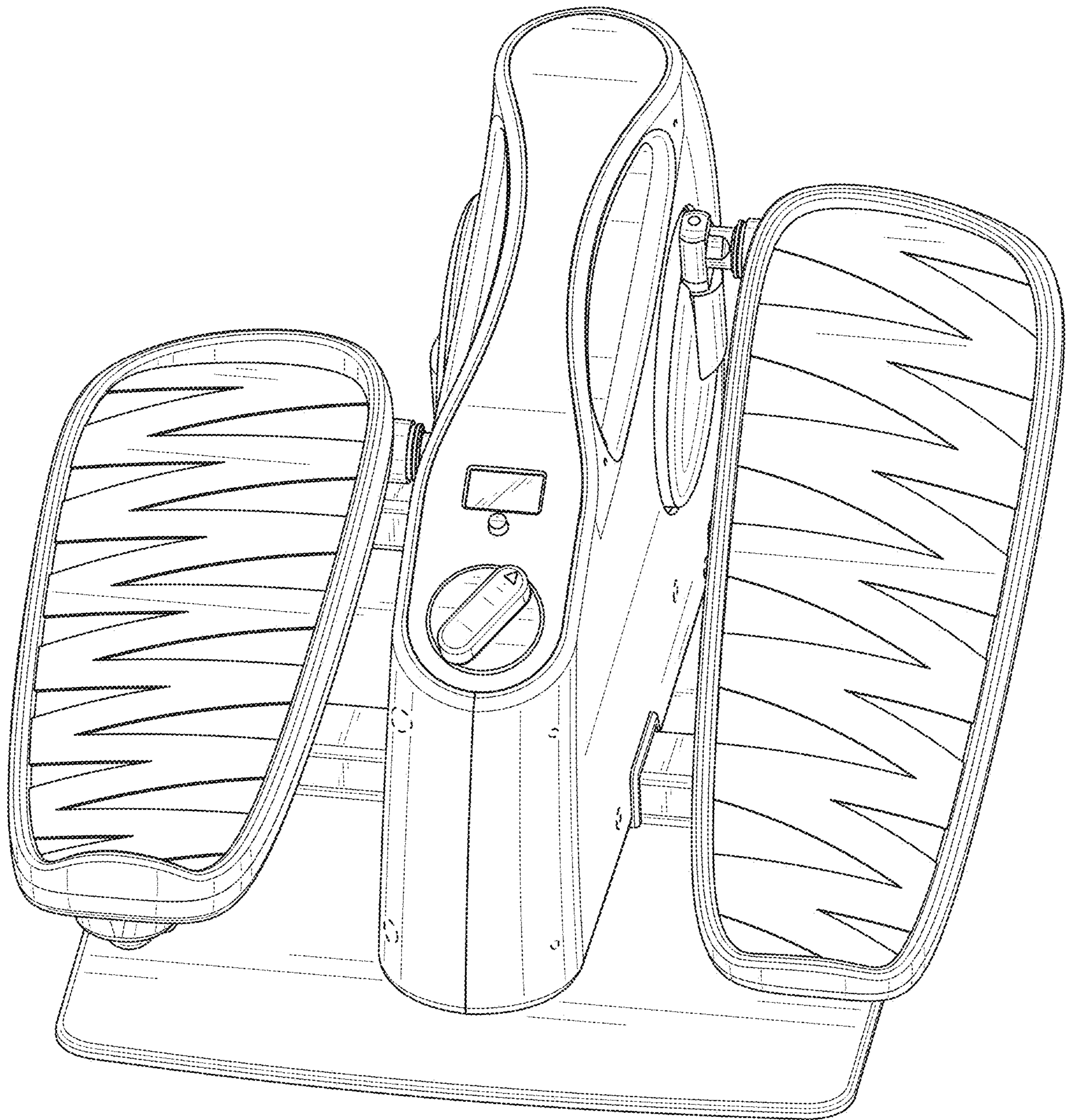


FIG. 1

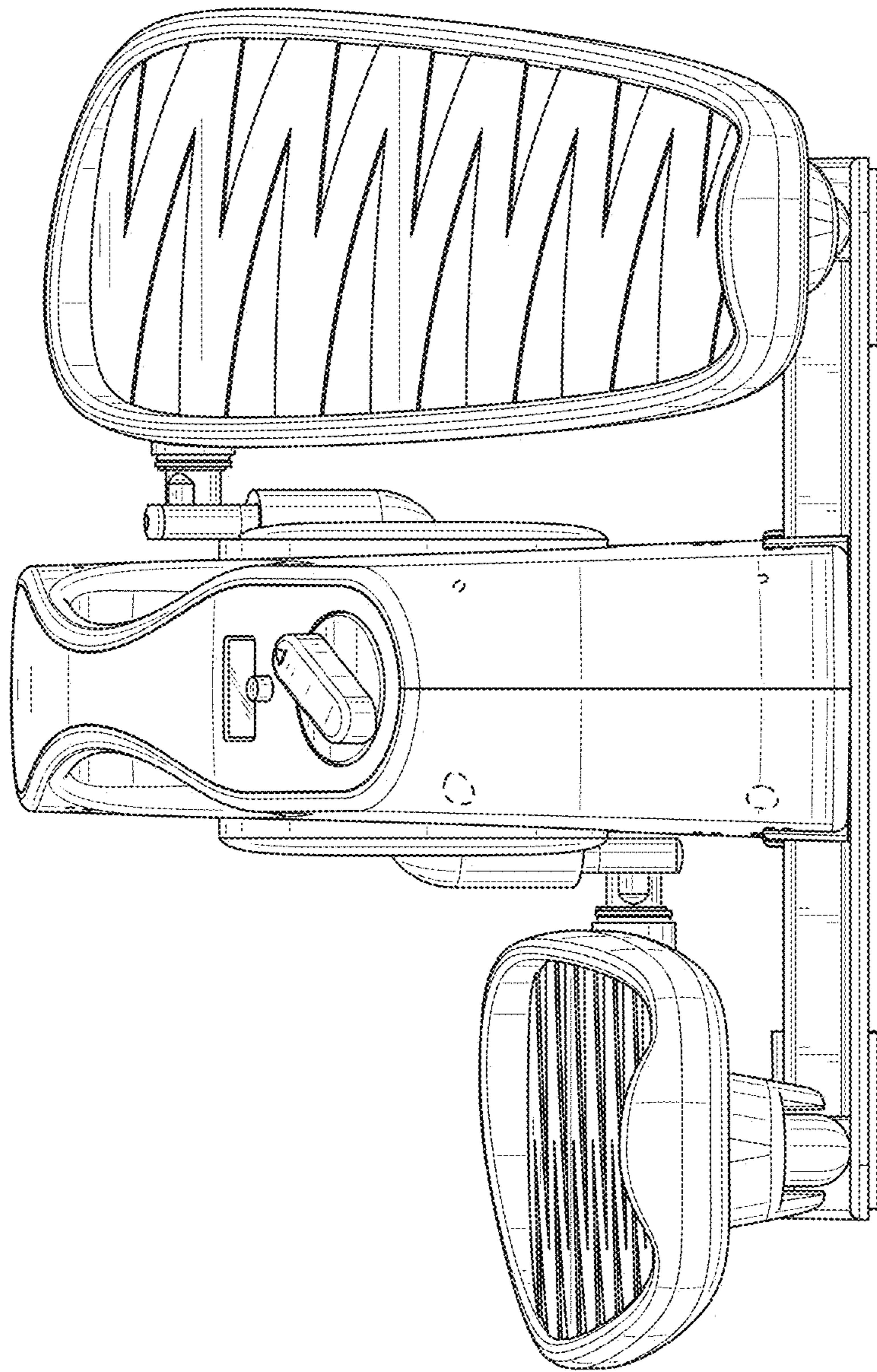


FIG. 2

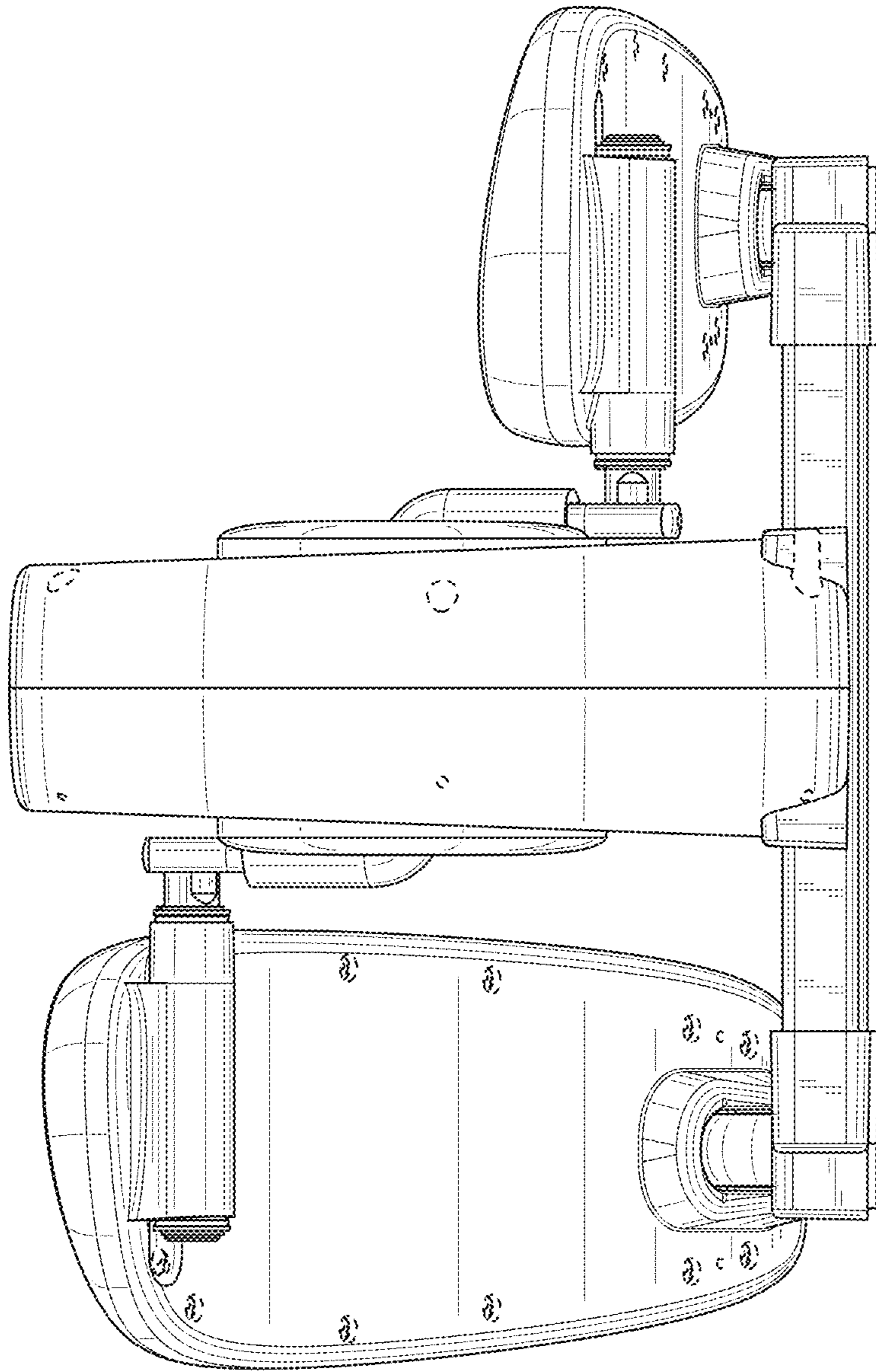


FIG. 3

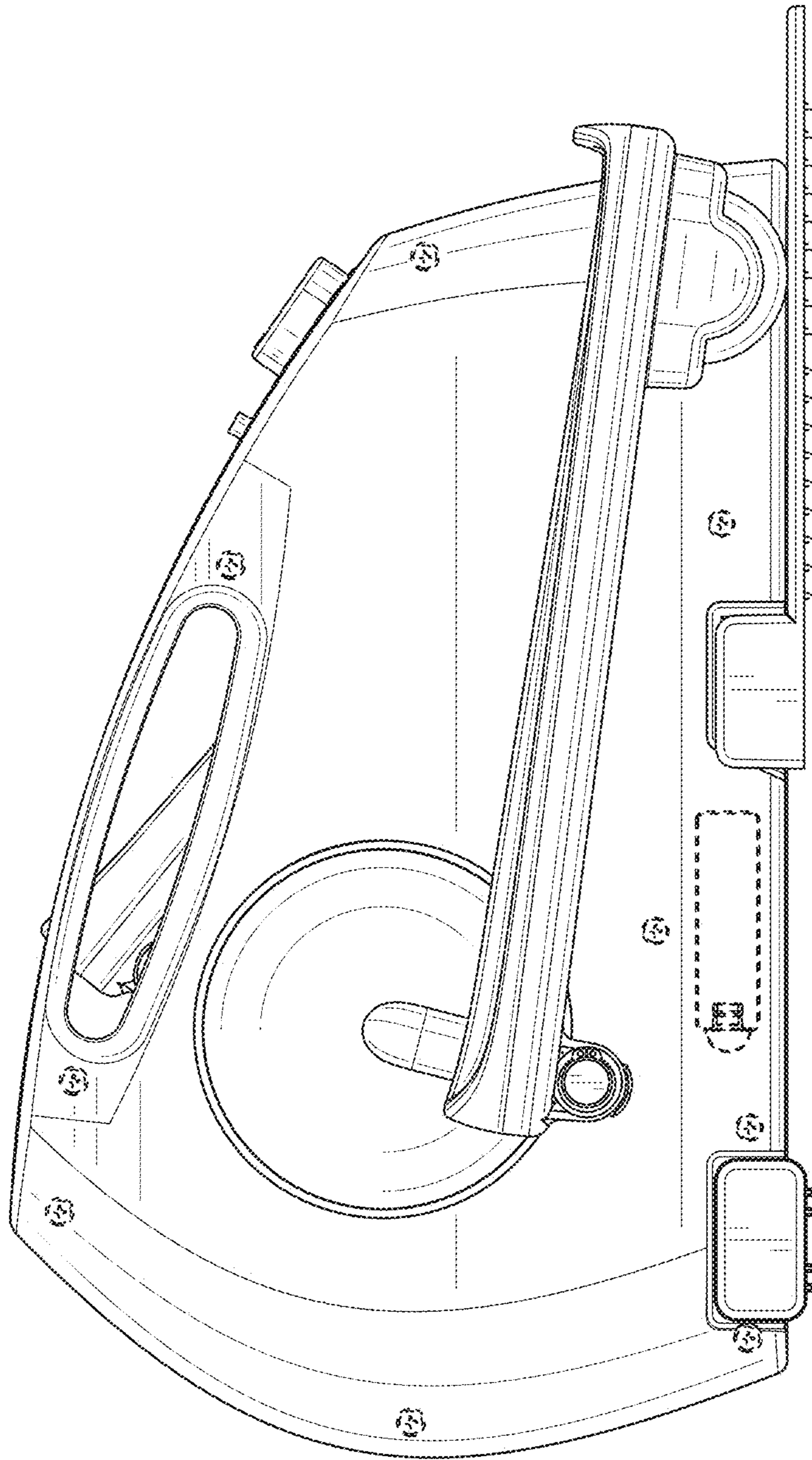


FIG. 4

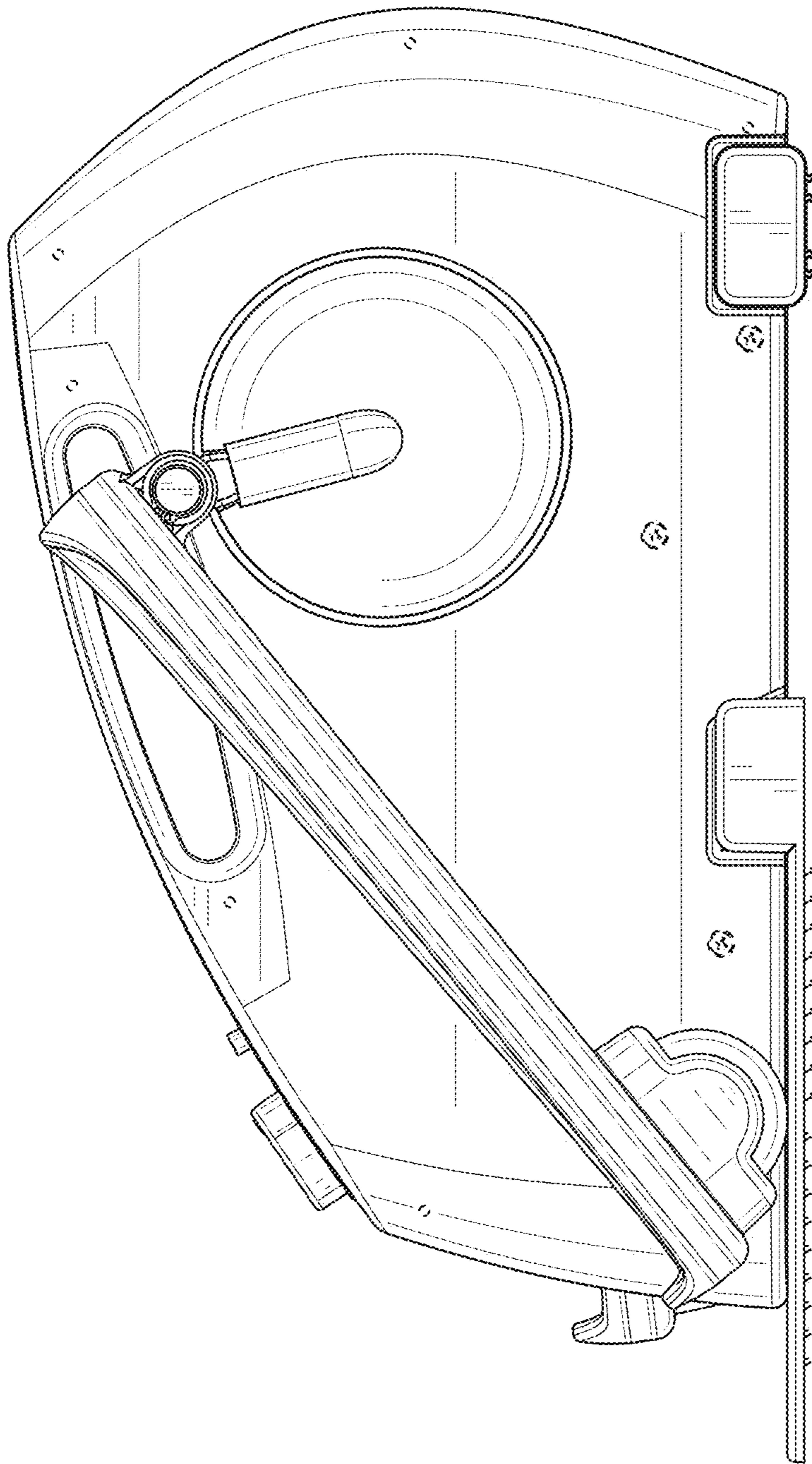


FIG. 5

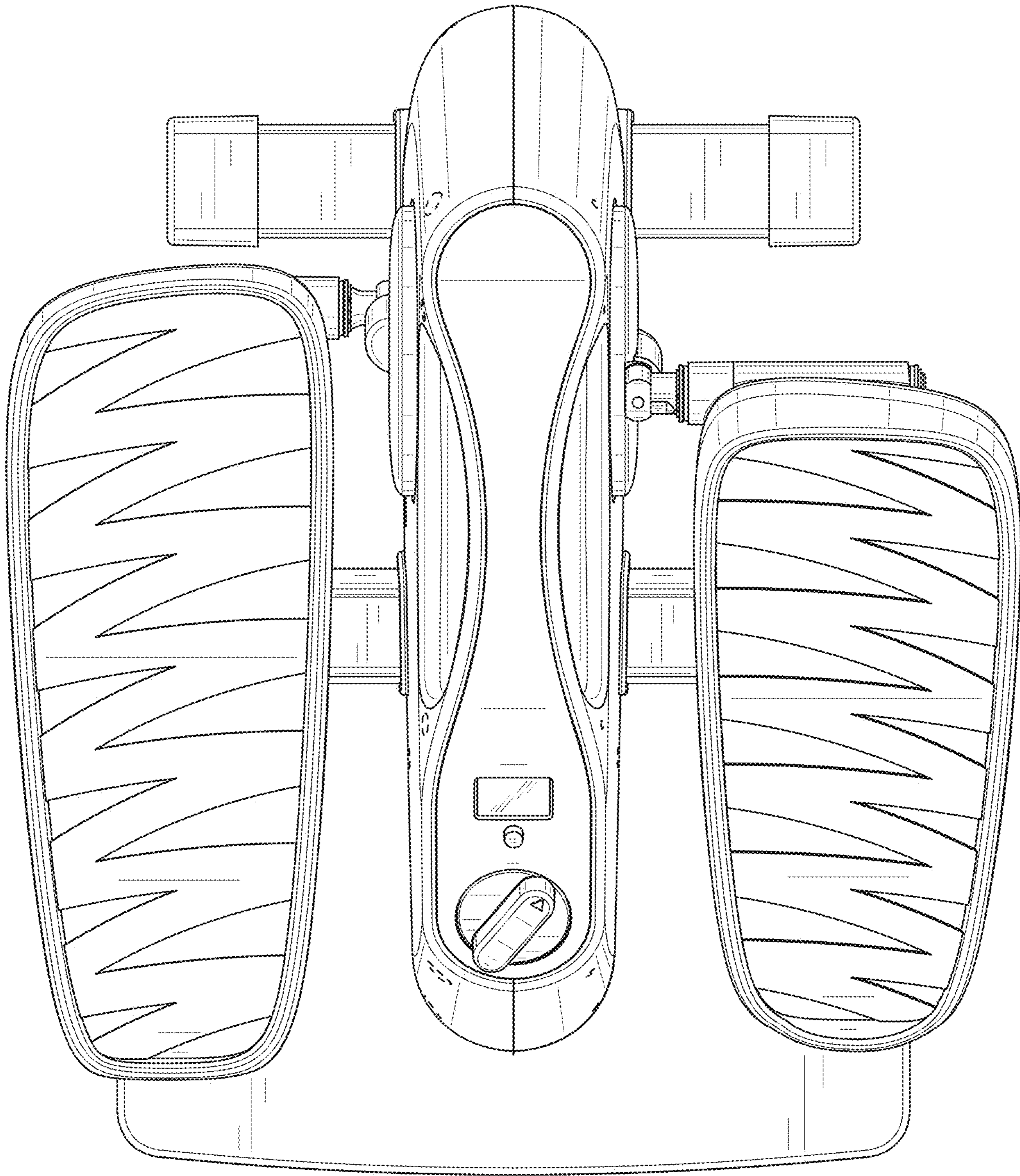


FIG. 6



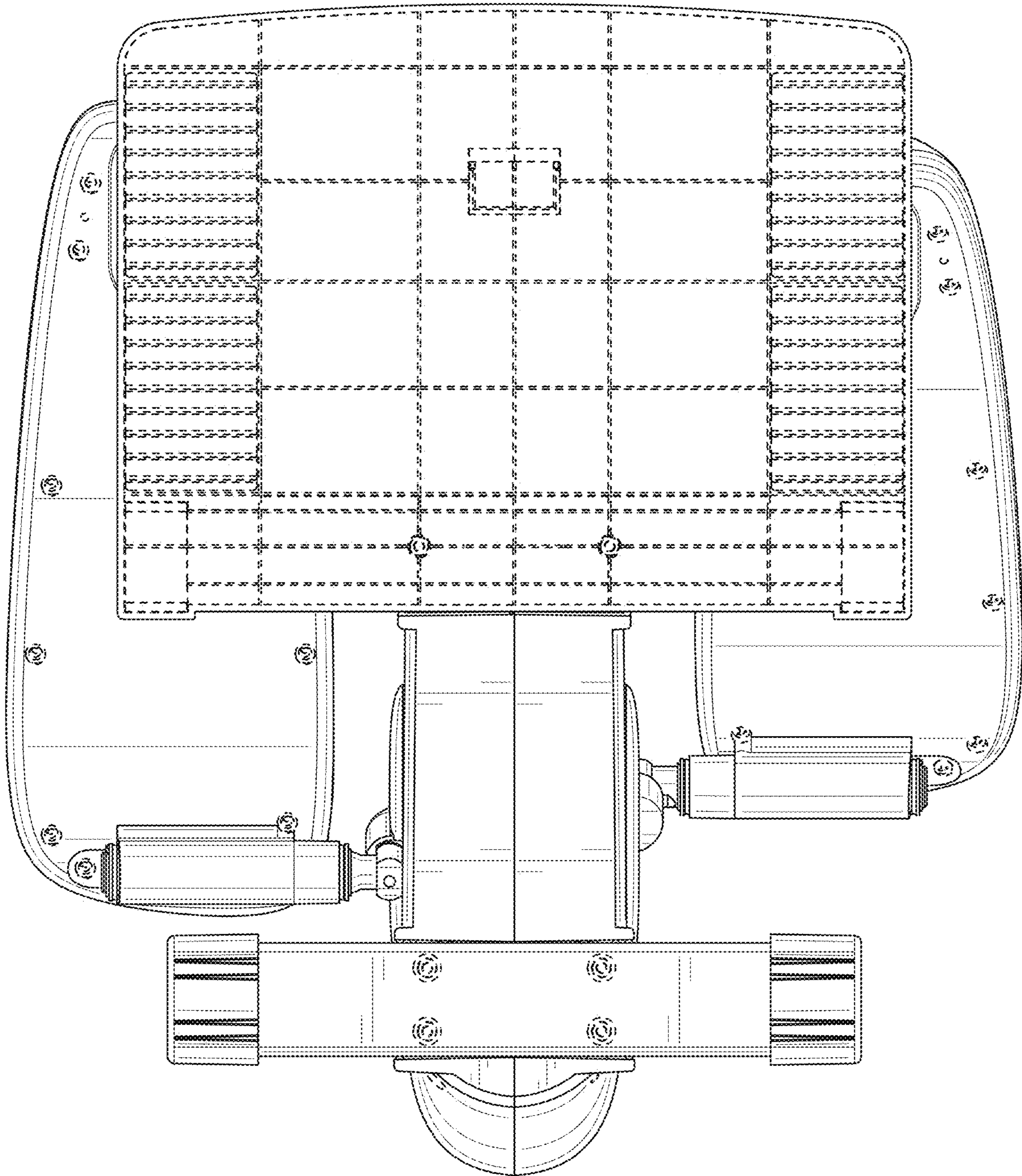


FIG. 7

UNITED STATES PATENT AND TRADEMARK OFFICE  
**CERTIFICATE OF CORRECTION**

PATENT NO. : D963,769 S  
APPLICATION NO. : 29/762940  
DATED : September 13, 2022  
INVENTOR(S) : Ajit Khubani et al.

Page 1 of 1

It is certified that error appears in the above-identified patent and that said Letters Patent is hereby corrected as shown below:

On the Title Page

At item (72), the place of residence of Inventor Paul Dowd "Scarsdale, NJ (US)" should be replaced with: --Scarsdale, NY (US)--.

Signed and Sealed this  
Seventh Day of February, 2023  
*Katherine Kelly Vidal*

Katherine Kelly Vidal  
*Director of the United States Patent and Trademark Office*