



US00D963763S

(12) **United States Design Patent** (10) **Patent No.:** **US D963,763 S**
Lin (45) **Date of Patent:** **** Sep. 13, 2022**

(54) **FOAM DART GUN**
(71) Applicant: **Shanghai Landong Industrial Co., Ltd.**, Shanghai (CN)
(72) Inventor: **Longshan Lin**, Shenzhen (GD)
(**) Term: **15 Years**
(21) Appl. No.: **29/783,254**
(22) Filed: **May 12, 2021**
(51) **LOC (13) Cl.** **21-01**
(52) **U.S. Cl.**
USPC **D21/573**
(58) **Field of Classification Search**
USPC D21/333, 454, 570, 572-575; D14/418; D22/100, 103
CPC F41B 7/00; F41B 7/003; F41B 7/08; F41B 9/00; F41B 9/0078; F41B 9/0081; F41B 11/89; A63H 5/04; A63H 27/14
See application file for complete search history.

D729,880 S * 5/2015 Nichols D21/573
D766,380 S 9/2016 Crye et al.
D791,915 S 7/2017 Sichien et al.
D832,939 S 11/2018 Chen
D908,816 S * 1/2021 Cheng D21/573
D928,901 S * 8/2021 Ren D22/103
2007/0077852 A1* 4/2007 Lam F41B 11/89 446/56
2012/0024278 A1* 2/2012 Carlson F42B 6/10 124/65

* cited by examiner

Primary Examiner — Cynthia M. Chin

(74) Attorney, Agent, or Firm — Rumit Ranjit Kanakia

(57) **CLAIM**

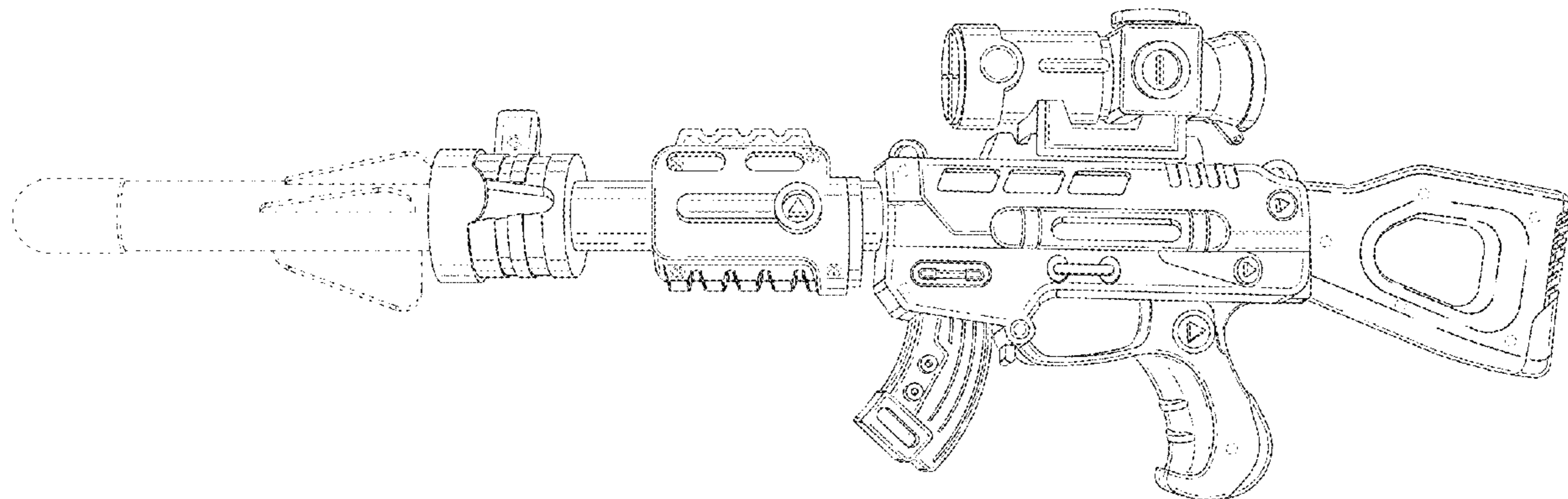
I claim the ornamental design for a foam dart gun, as shown and described.

DESCRIPTION

FIG. 1 is a Back Perspective view of a foam dart gun showing my new design;
FIG. 2 is a Right-side view thereof;
FIG. 3 is a Left-side view thereof;
FIG. 4 is a Front view thereof;
FIG. 5 is a Back view thereof;
FIG. 6 is a Top view thereof; and,
FIG. 7 is a Bottom view thereof.
The broken lines in the drawings depict portions of the foam dart gun that form no part of the claimed design.

1 Claim, 6 Drawing Sheets

(56) **References Cited**
U.S. PATENT DOCUMENTS
D286,308 S * 10/1986 Mayer D21/573
5,797,385 A * 8/1998 Thai F41B 11/89 124/59
D646,281 S * 10/2011 Markowitz D14/418
D662,152 S 6/2012 Markowitz et al.
D664,607 S * 7/2012 Jablonski D21/573
D693,811 S * 11/2013 Augustin, Jr. D14/418



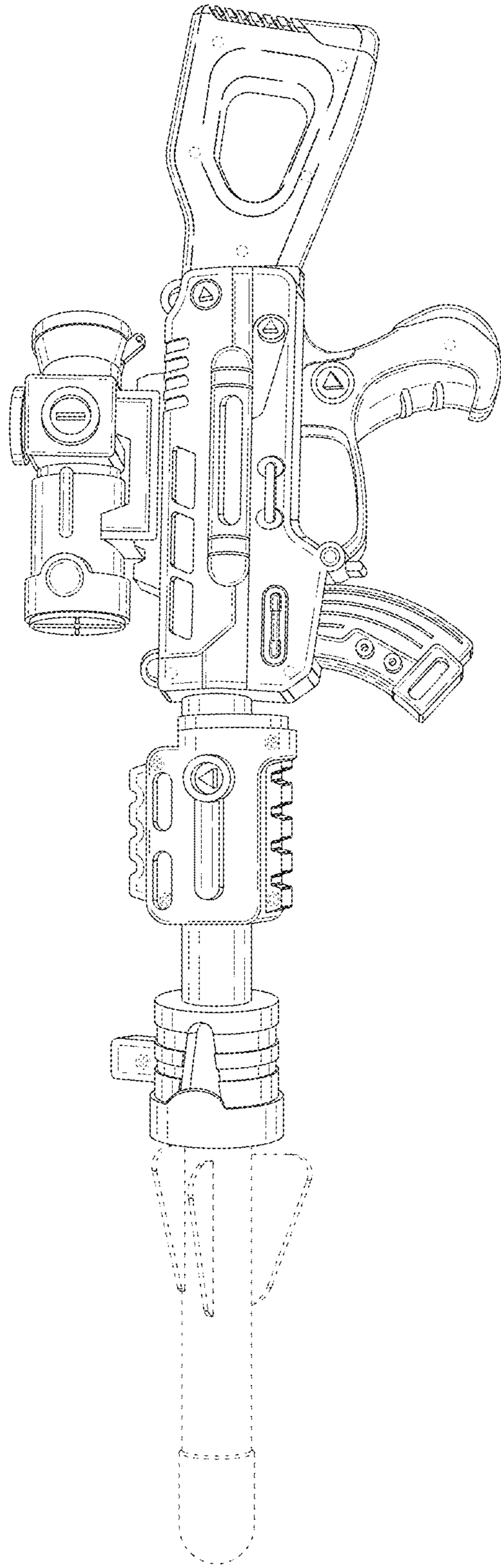


FIG. 1

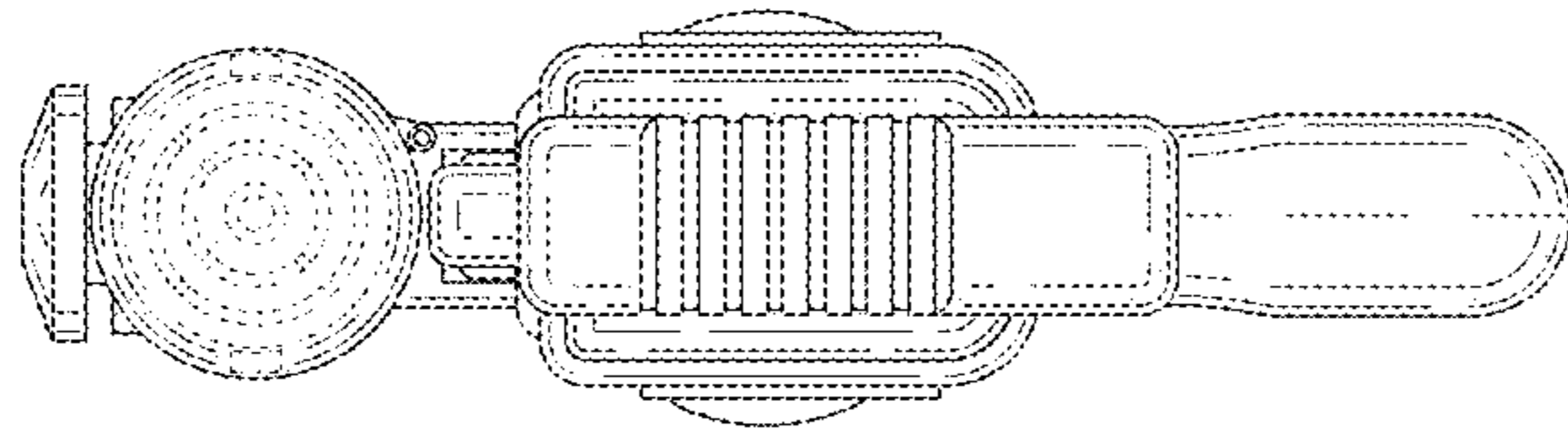


FIG. 3

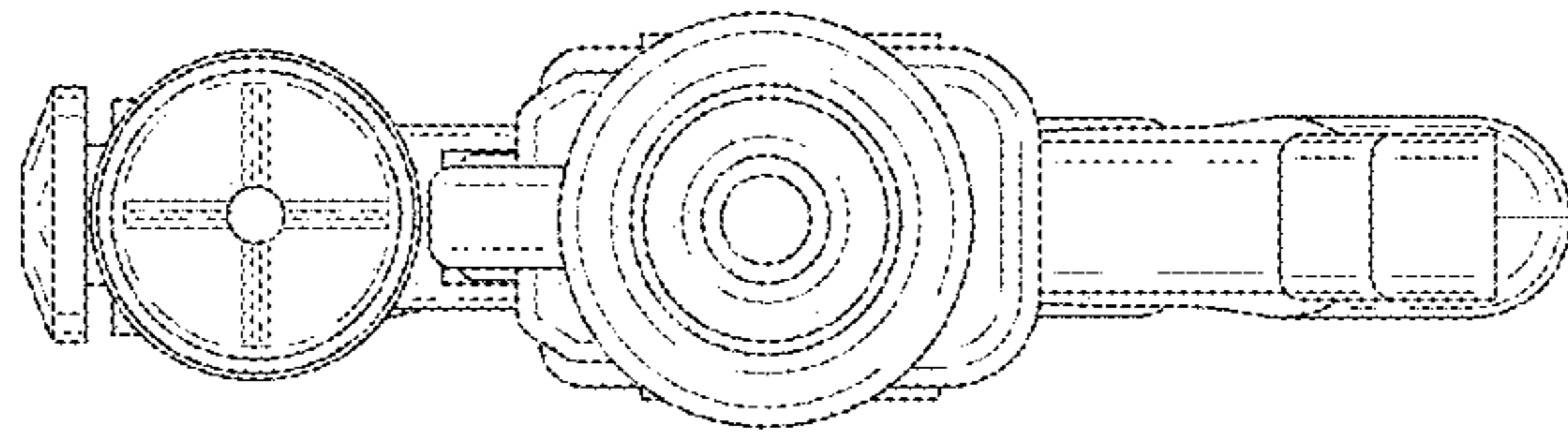


FIG. 2

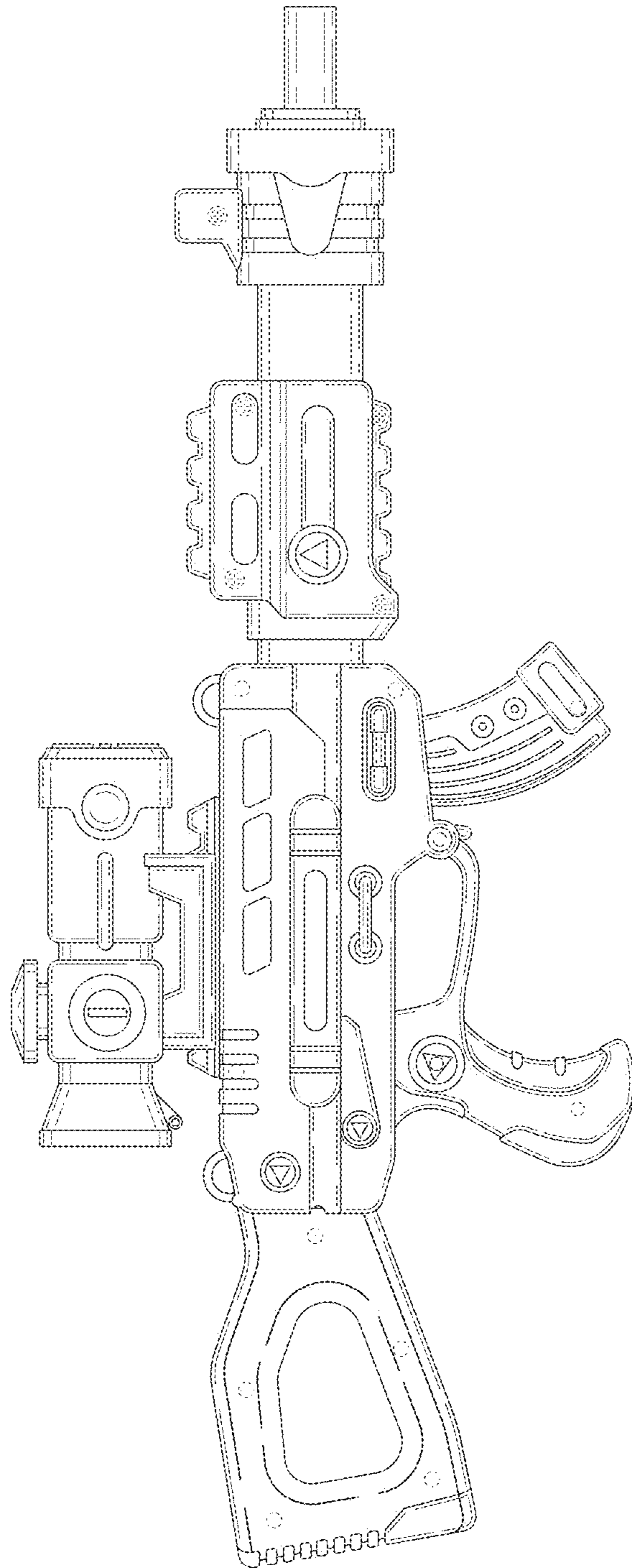


FIG. 4

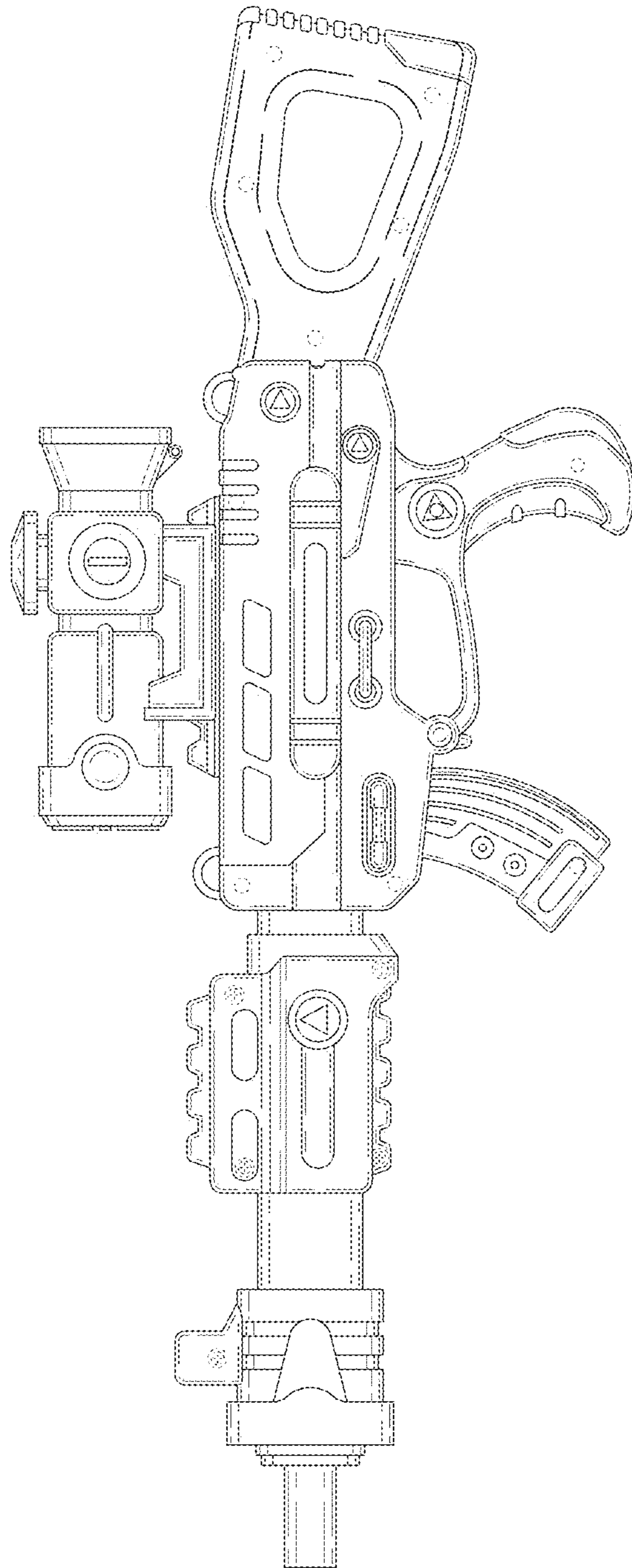


FIG. 5

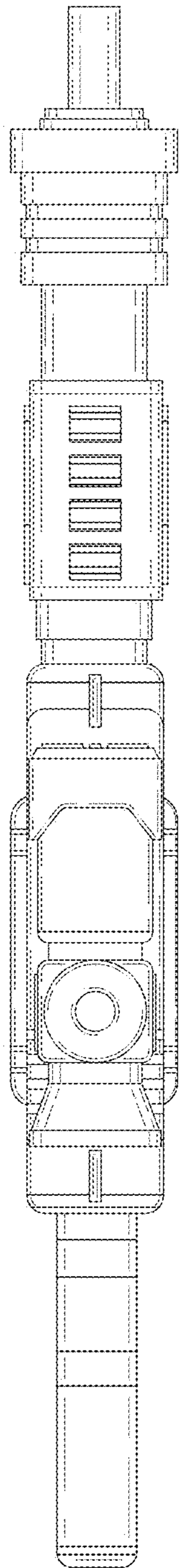


FIG. 6

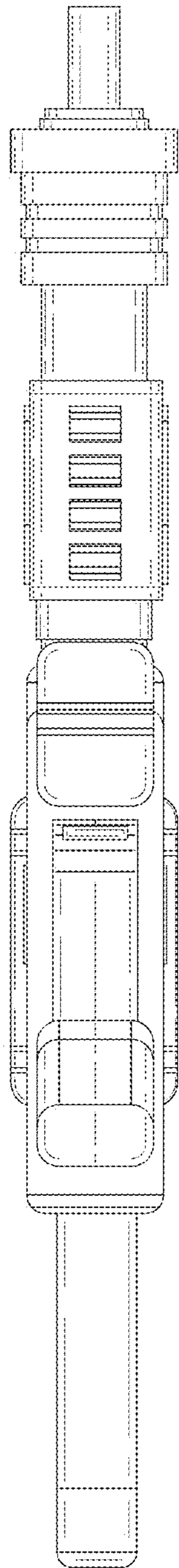


FIG. 7