



US00D963762S

(12) **United States Design Patent** (10) **Patent No.:** **US D963,762 S**
Mead et al. (45) **Date of Patent:** **** Sep. 13, 2022**

(54) **TOY PROJECTILE LAUNCHER APPARATUS**

4,318,239 A * 3/1982 Phillips, Jr. F41A 9/85
42/61

(71) Applicant: **Hasbro, Inc.**, Pawtucket, RI (US)

4,841,945 A 6/1989 Braden
4,890,404 A 1/1990 Ferri

(72) Inventors: **Raymond Aaron Mead**, East Providence, RI (US); **Brian Jablonski**, Providence, RI (US)

(Continued)

(73) Assignee: **Hasbro, Inc.**, Pawtucket, RI (US)

FOREIGN PATENT DOCUMENTS
CN 302011411 * 7/2012 F41A 17/30
EM 001183305-0002 * 1/2010 F41B 11/55

(Continued)

(**) Term: **15 Years**

(21) Appl. No.: **29/706,027**

OTHER PUBLICATIONS

(22) Filed: **Sep. 17, 2019**

“Nerf N-Strike Maverick,” Oct. 2, 2001, amazon.com, site visited Mar. 15, 2022, URL: <https://www.amazon.com/Nerf-N-Strike-Maverick-Discontinued-manufacturer/dp/B0002UP0IA?th=1> (Year: 2001).*

(51) **LOC (13) Cl.** **21-01**

(52) **U.S. Cl.**
USPC **D21/573**; D21/574

(Continued)

(58) **Field of Classification Search**
USPC D21/567, 570, 573, 572, 574, 575;
D22/103–105, 108, 116
CPC F41B 11/54; F41B 11/89; F41B 11/642;
F41B 7/003; F41B 7/006; F41B 9/00;
F41B 9/0021; F41B 9/0018; A63F
9/0252; A63F 9/0278
See application file for complete search history.

Primary Examiner — Eric L Goodman
Assistant Examiner — Sarah L Smith
(74) *Attorney, Agent, or Firm* — Perry Hoffman

(57) **CLAIM**

The ornamental design for a toy projectile launcher apparatus, as shown and described.

(56) **References Cited**

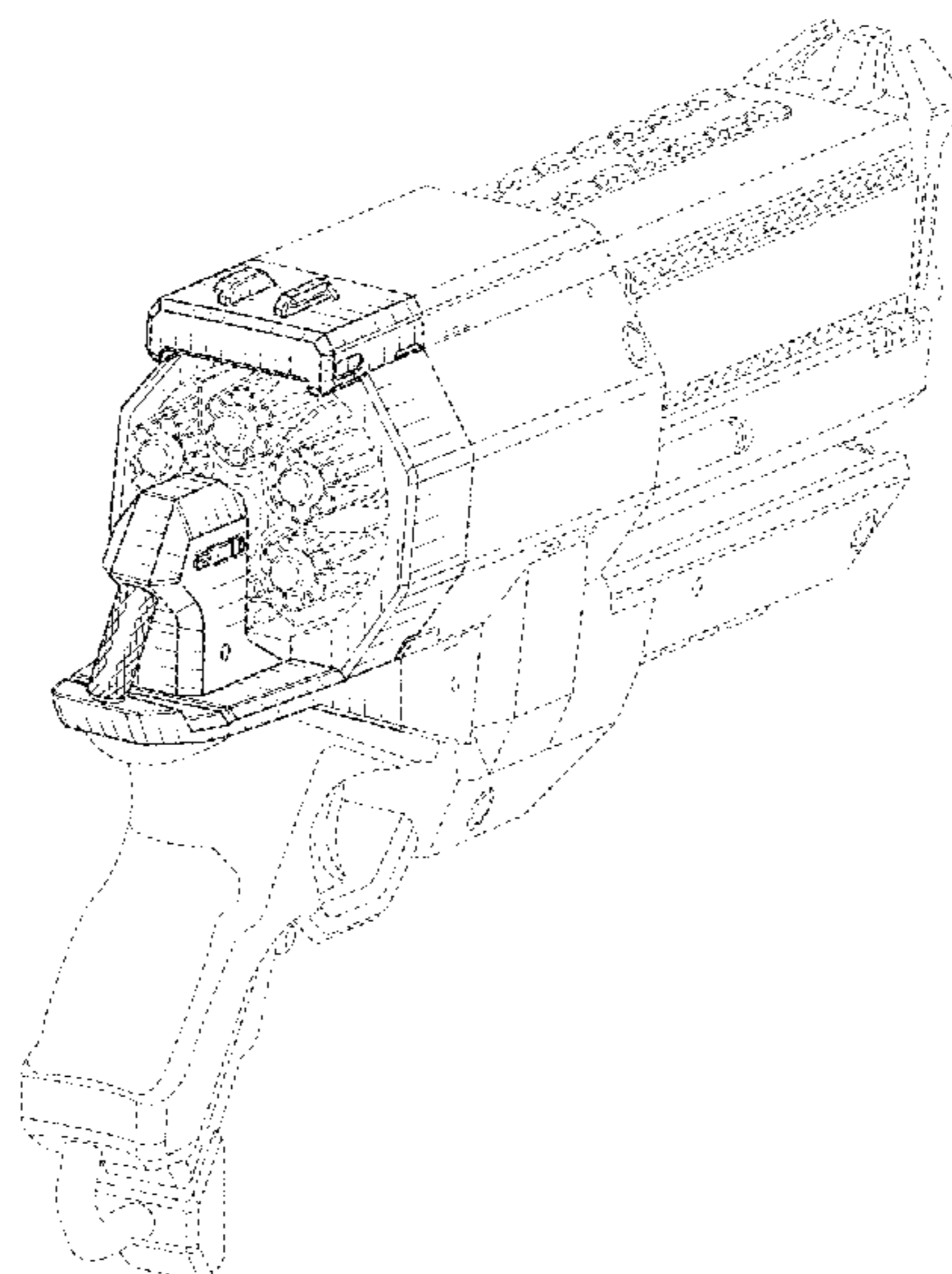
DESCRIPTION

U.S. PATENT DOCUMENTS

1,860,611 A * 5/1932 De Minno F41B 7/006
124/39
2,737,942 A 3/1956 Horowitz et al.
2,820,400 A * 1/1958 O’Brien F41A 9/30
89/33.03
3,197,907 A * 8/1965 Olson F41A 9/85
42/89
3,515,387 A * 6/1970 House F41B 7/025
273/362
D221,451 S * 8/1971 Hewett 472/51
3,990,426 A 11/1976 Stokes
4,038,771 A * 8/1977 Miller F41A 9/85
42/70.11

FIG. 1 is a front perspective view of the toy projectile launcher apparatus of the instant invention; FIG. 2 is a left side elevational view thereof; FIG. 3 is a right side elevational view thereof; FIG. 4 is a rear elevational view thereof; FIG. 5 is a front elevational view thereof; FIG. 6 is a top plan view thereof; and, FIG. 7 is a bottom plan elevational view thereof. The broken lines shown are included for the purpose of illustrating the unclaimed portions of the article and form no part of the claimed design.

1 Claim, 5 Drawing Sheets



(56)

References Cited

U.S. PATENT DOCUMENTS

5,471,967 A 12/1995 Matsuzaki et al.
 D428,103 S * 7/2000 Kiesler F41A 9/65
 D22/100
 6,364,162 B1 * 4/2002 Johnson F41B 11/54
 D22/61
 6,428,384 B1 * 8/2002 Su F41B 11/89
 D446/475
 6,488,019 B2 12/2002 Kotsiopoulos
 7,051,727 B2 5/2006 Wu
 D606,158 S * 12/2009 Swan D22/108
 8,082,909 B2 12/2011 Sopinsky et al.
 8,127,753 B1 3/2012 Brooks et al.
 8,146,579 B2 * 4/2012 Jablonski F41B 11/646
 D124/65
 8,303,421 B1 * 11/2012 Farley A63F 9/02
 D434/21
 8,695,579 B2 4/2014 Huebl
 9,004,052 B1 * 4/2015 Poirier F41B 7/006
 D124/47
 9,389,042 B1 7/2016 Clayton
 D770,003 S * 10/2016 Hultman F41A 9/30
 D22/108
 9,958,230 B1 * 5/2018 Nugent F41A 9/65
 10,859,337 B1 * 12/2020 Bernal F41B 7/08
 2002/0166551 A1 11/2002 Lee

2009/0095272 A1 4/2009 Zimmerman
 2011/0041824 A1 * 2/2011 Jablonski F41B 11/89
 D124/65
 2013/0112184 A1 5/2013 Corsiglia et al.
 2013/0239936 A1 * 9/2013 Victor F41A 19/52
 D124/16
 2013/0312722 A1 11/2013 Price
 2016/0084604 A1 * 3/2016 Lyman F41A 9/28
 D42/59
 2017/0160029 A1 * 6/2017 Huang F41A 9/27
 2017/0191790 A1 * 7/2017 Lam F41A 17/56

FOREIGN PATENT DOCUMENTS

WO WO-2015013614 A1 * 1/2015 F41B 11/55
 WO WO-2016007409 A2 * 1/2016 F41A 17/30

OTHER PUBLICATIONS

SG Nerf, "Nerf Barricade RV-10—Review!" Nov. 8, 2010, sgner.blogspot.com, site visited Mar. 15, 2022, URL: <http://sgnerf.blogspot.com/2010/09/nerf-barricade-rv-10-review.html> (Year: 2010).*
 "NERF Strongarm N-Strike Elite Toy Blaster," Dec. 1, 2018, amazon.com, site visited Mar. 15, 2022, URL: <https://www.amazon.com/Strongarm-N-Strike-Rotating-Official-Exclusive/dp/B07HYWQVML> (Year: 2018).*

* cited by examiner

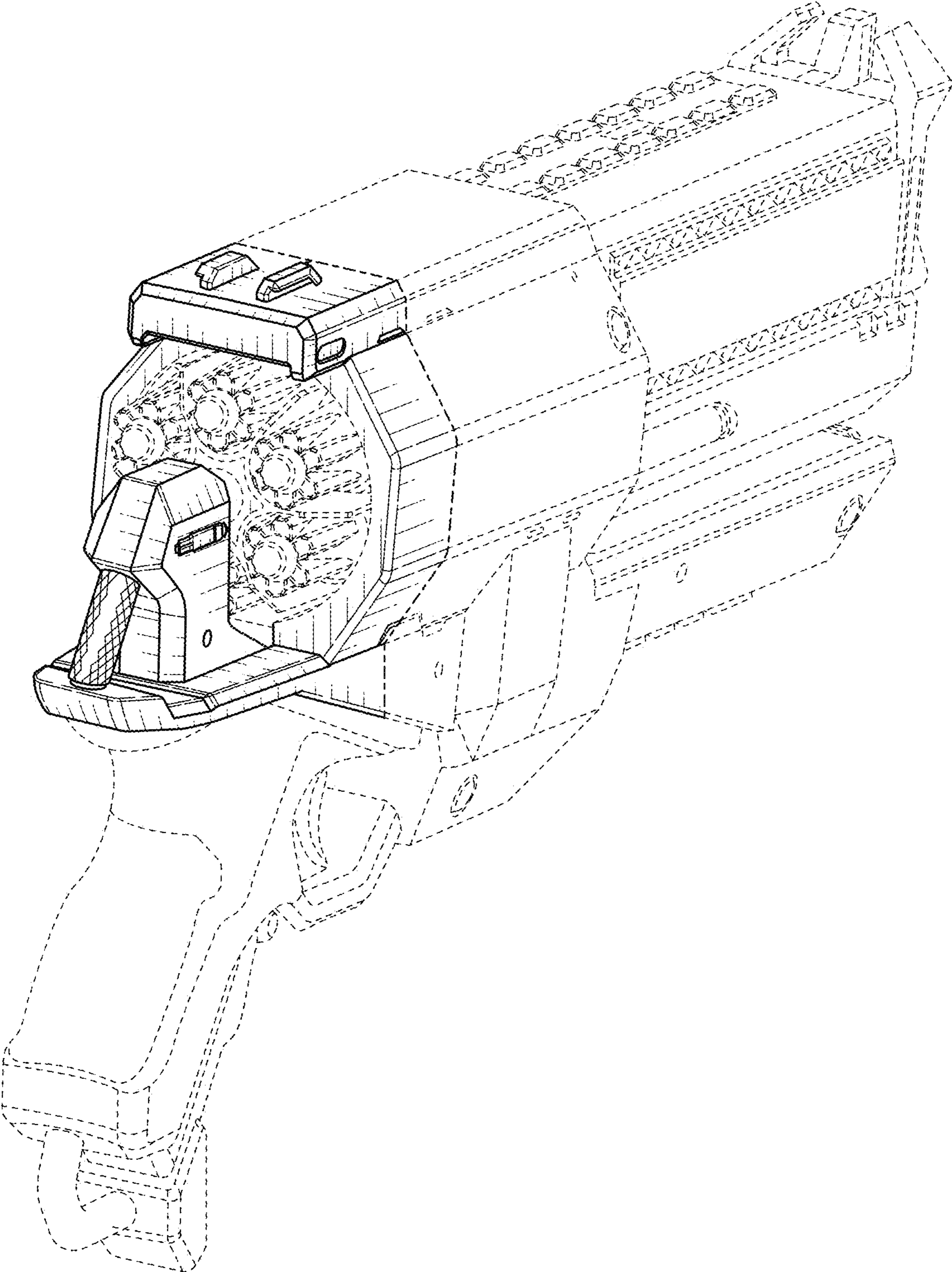


FIG. 1

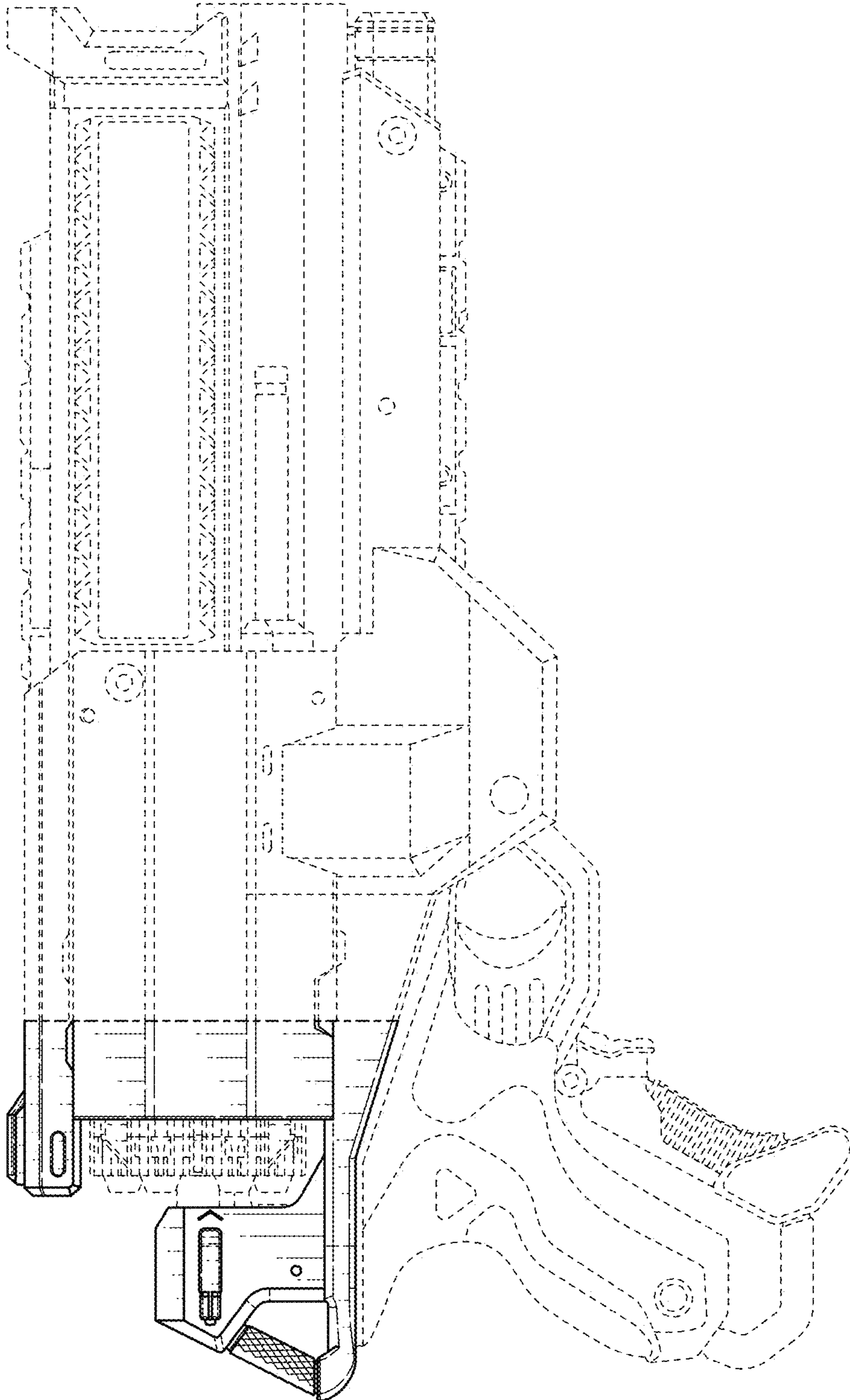


FIG. 2

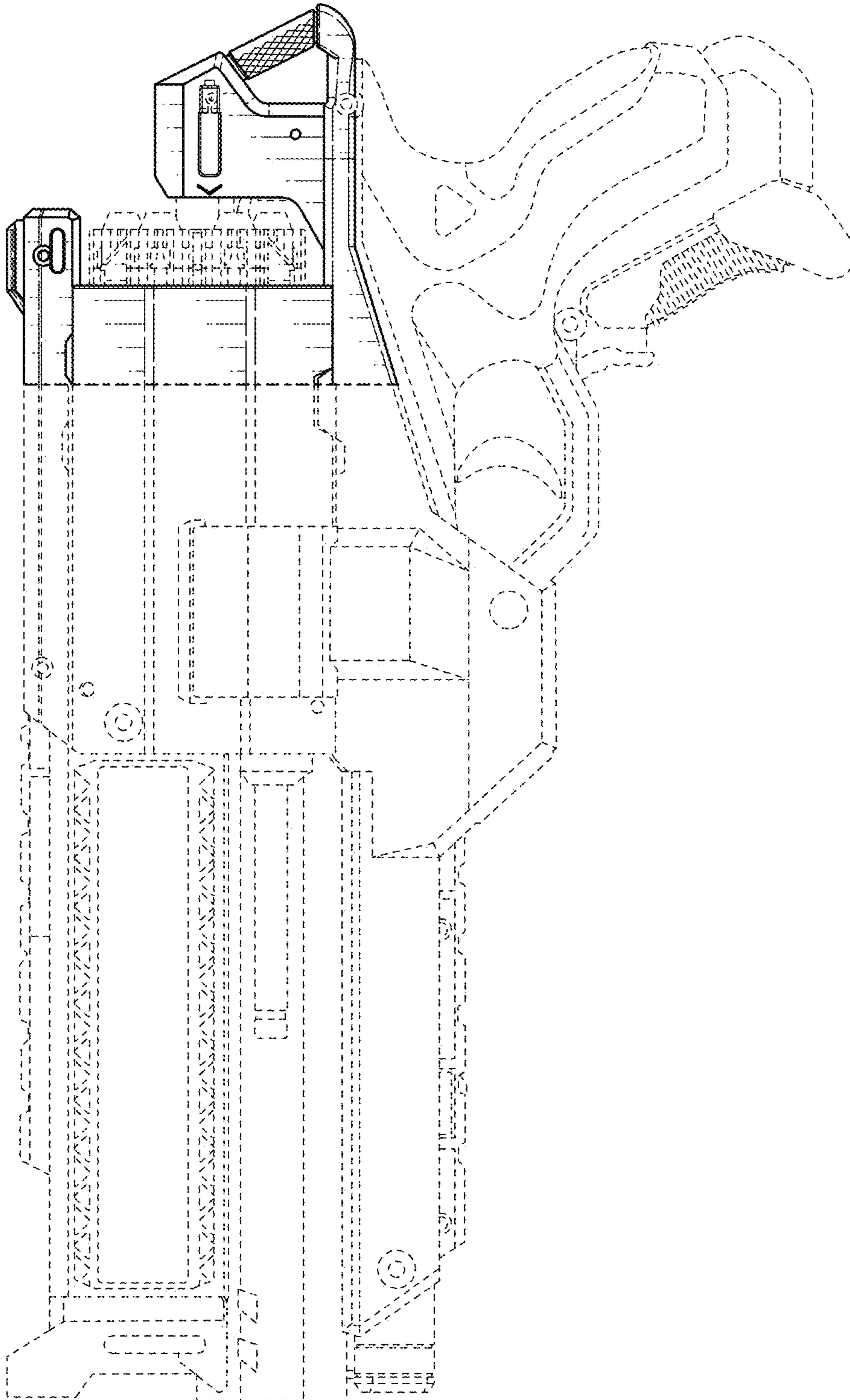


FIG. 3

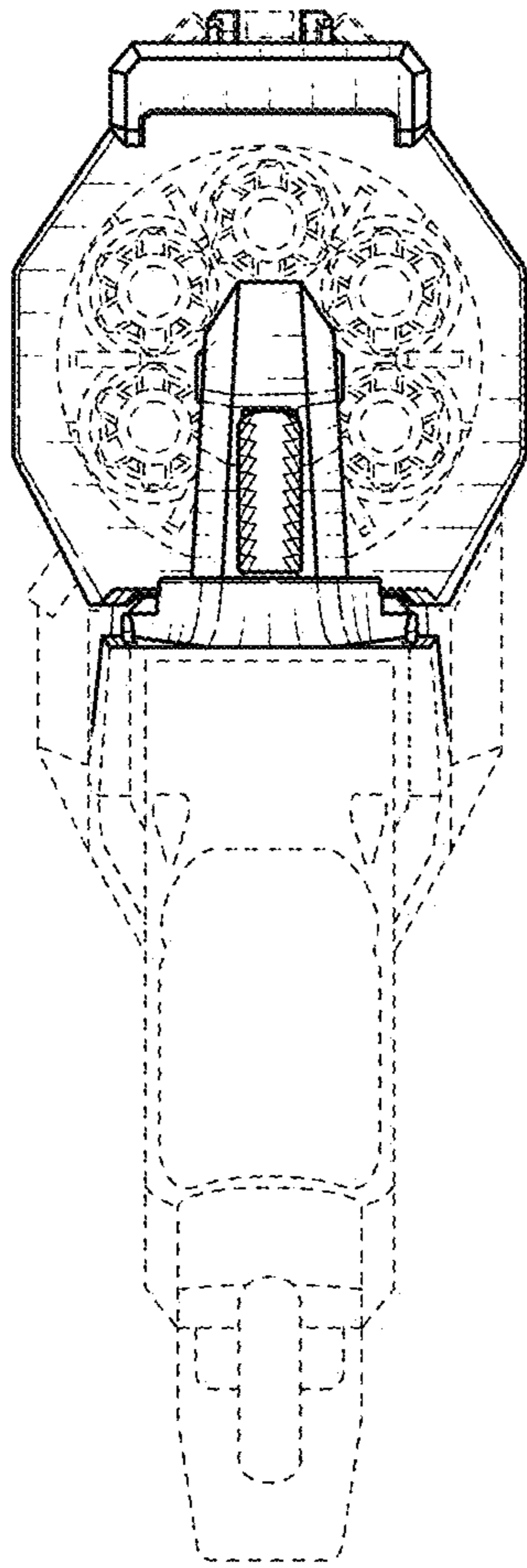


FIG. 4

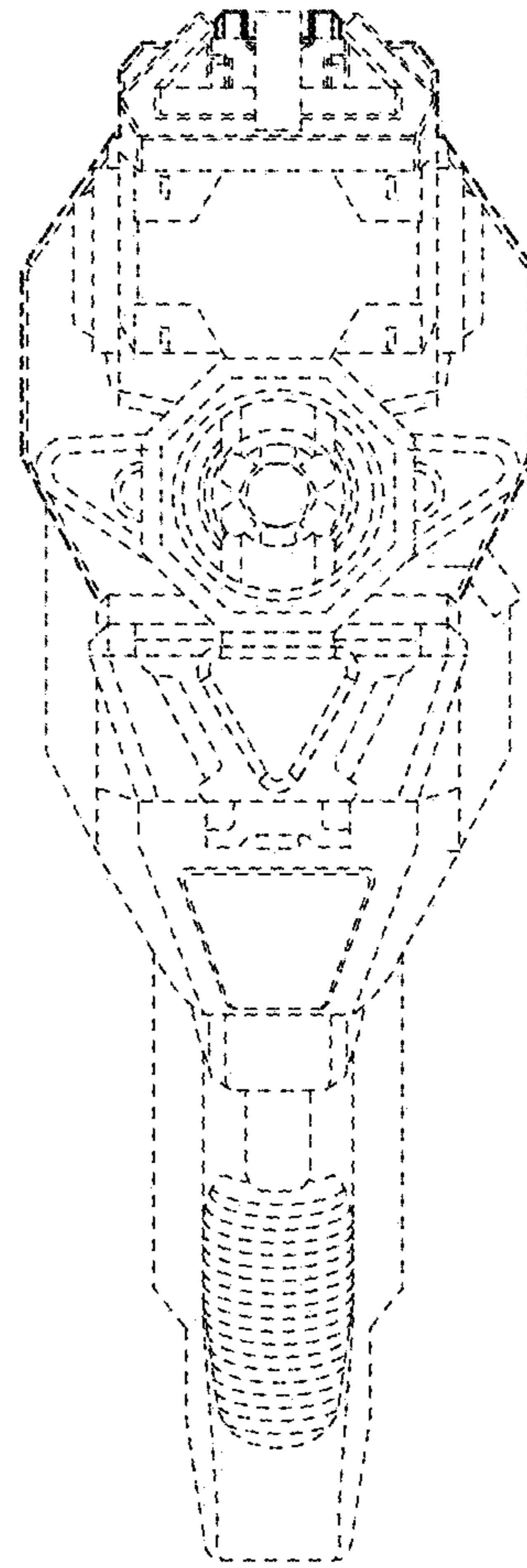


FIG. 5

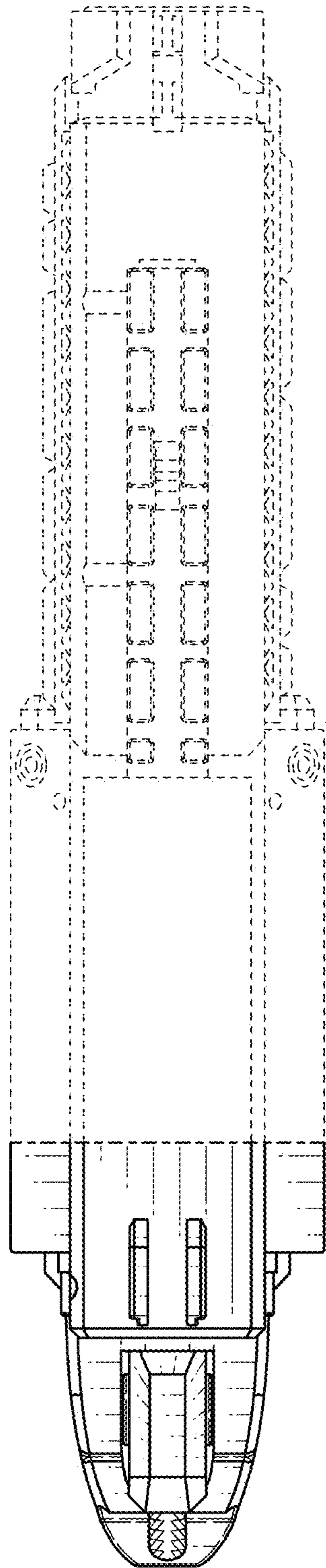


FIG. 6

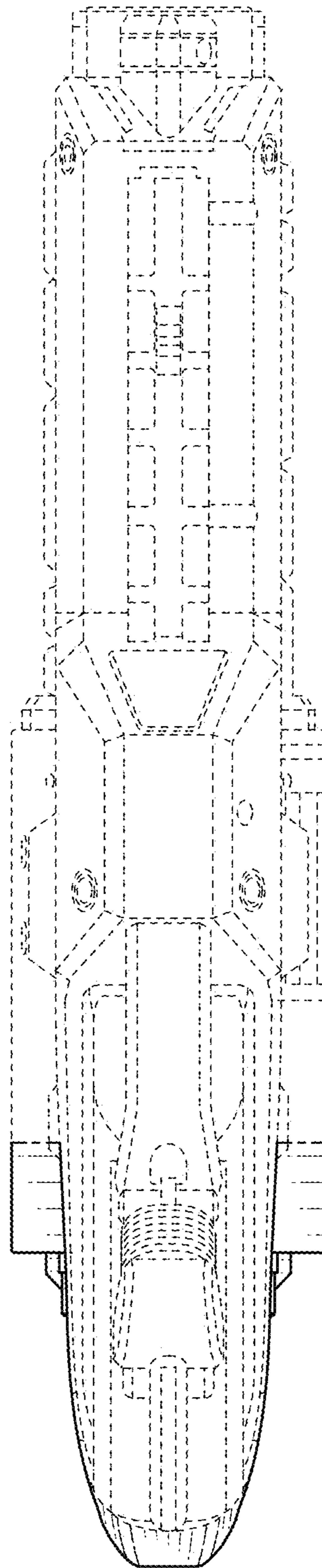


FIG. 7