



US00D963761S

(12) **United States Design Patent** (10) **Patent No.:** **US D963,761 S**
Chen (45) **Date of Patent:** **** Sep. 13, 2022**

(54) **TOY LOCK**

FOREIGN PATENT DOCUMENTS

(71) Applicant: **Sufen Chen**, Lishui (CN)
(72) Inventor: **Sufen Chen**, Lishui (CN)
(**) Term: **15 Years**

CN 216517422 U * 5/2013
CN 303586097 * 2/2016
CN 212671425 U * 3/2021
CN 215168961 U * 12/2021
CN 114320037 A * 4/2022

(21) Appl. No.: **29/764,775**

OTHER PUBLICATIONS

(22) Filed: **Jan. 2, 2021**

Keys Toy Locks, Hihstore website 2022, site visited Jul. 2, 2022, https://www.hihstore.com/?product_id=141476086_42.*

(51) **LOC (13) Cl.** **21-01**

(52) **U.S. Cl.**
USPC **D21/532**; D8/334

* cited by examiner

(58) **Field of Classification Search**
USPC D8/334; D21/532, 579, 483
CPC E05B 67/02; E05B 37/025; E05B 67/22
See application file for complete search history.

Primary Examiner — John R Yeh

(56) **References Cited**

(57) **CLAIM**

U.S. PATENT DOCUMENTS

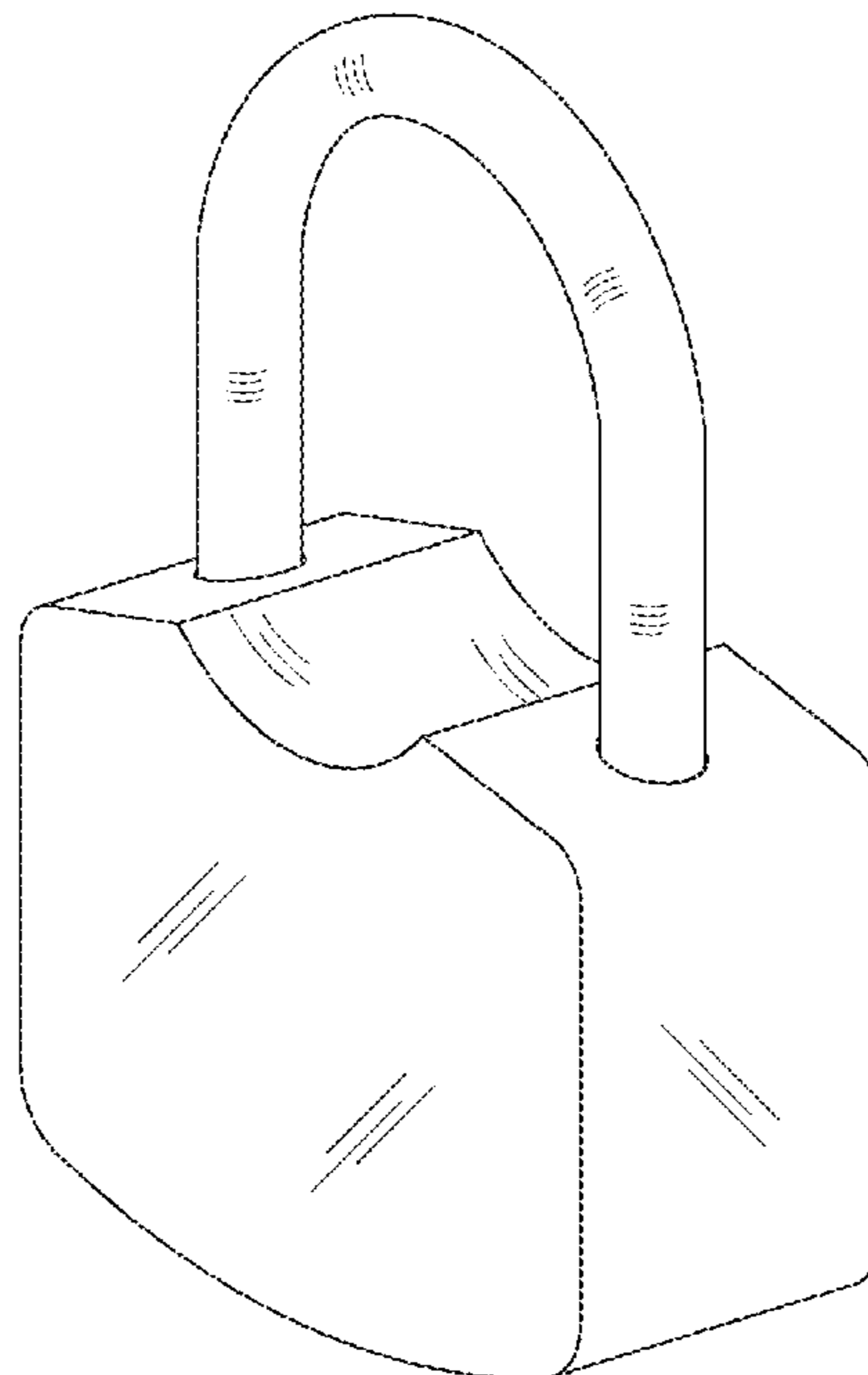
The ornamental design for a toy lock, as shown and described.

D82,115 S *	9/1930	Smith	D8/334
D262,390 S *	12/1981	Pippus	D8/334
D287,606 S *	1/1987	Maruyama	D8/334
D287,607 S *	1/1987	Maruyama	D8/334
D305,782 S *	1/1990	Ukisu	D21/532
D353,089 S *	12/1994	Kahonen	D8/334
D353,531 S *	12/1994	Kahonen	D8/334
D360,125 S *	7/1995	Taylor	D8/335
D423,324 S *	4/2000	Liu	D8/334
D461,699 S *	8/2002	Lavikainen	D8/334
D587,983 S *	3/2009	Zorc	D8/343
D630,260 S *	1/2011	Cole	D8/334
D638,684 S *	5/2011	Stevens	D8/334
D695,589 S *	12/2013	Stevens	D8/334
D752,950 S *	4/2016	Dolce	D8/334
D906,089 S *	12/2020	Heikinmatti	D8/343
2021/0062554 A1 *	3/2021	Tway	E05B 67/063
2021/0115703 A1 *	4/2021	Yu	E05B 67/14
2021/0301556 A1 *	9/2021	Cai	E05B 67/02

DESCRIPTION

FIG. 1 is a perspective view of a toy lock, showing my new design;
FIG. 2 is a perspective view thereof, in an alternative configuration;
FIG. 3 is a front elevation view of FIG. 1; the rear elevation view being a mirror image thereof;
FIG. 4 is a left side elevation view of FIG. 1; the right side elevation view being a mirror image thereof;
FIG. 5 is a top plan view of FIG. 1; and,
FIG. 6 is a bottom plan view of FIG. 1.
The broken lines illustrate portions of the toy lock that form no part of the claimed design.

1 Claim, 6 Drawing Sheets



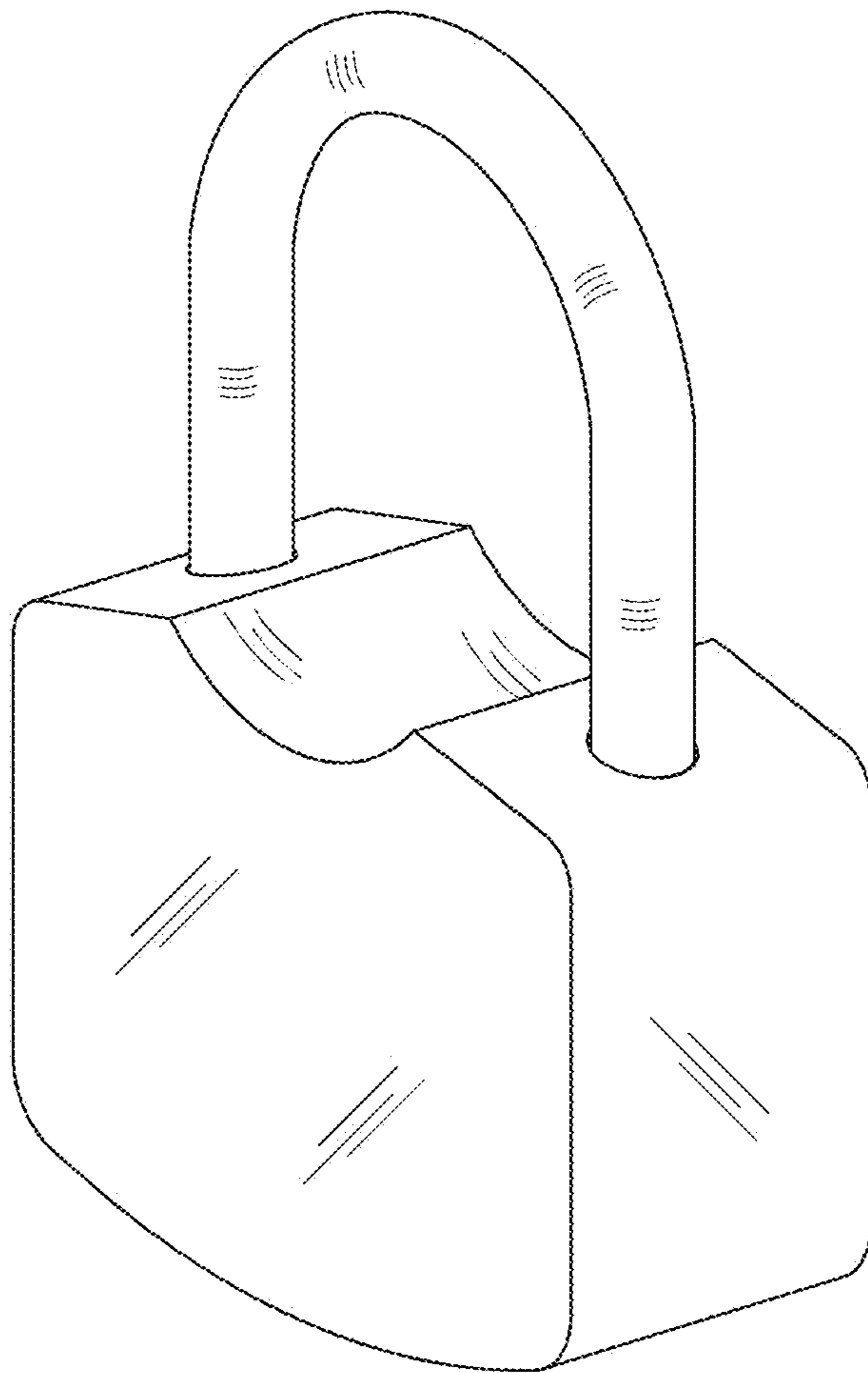


FIG. 1

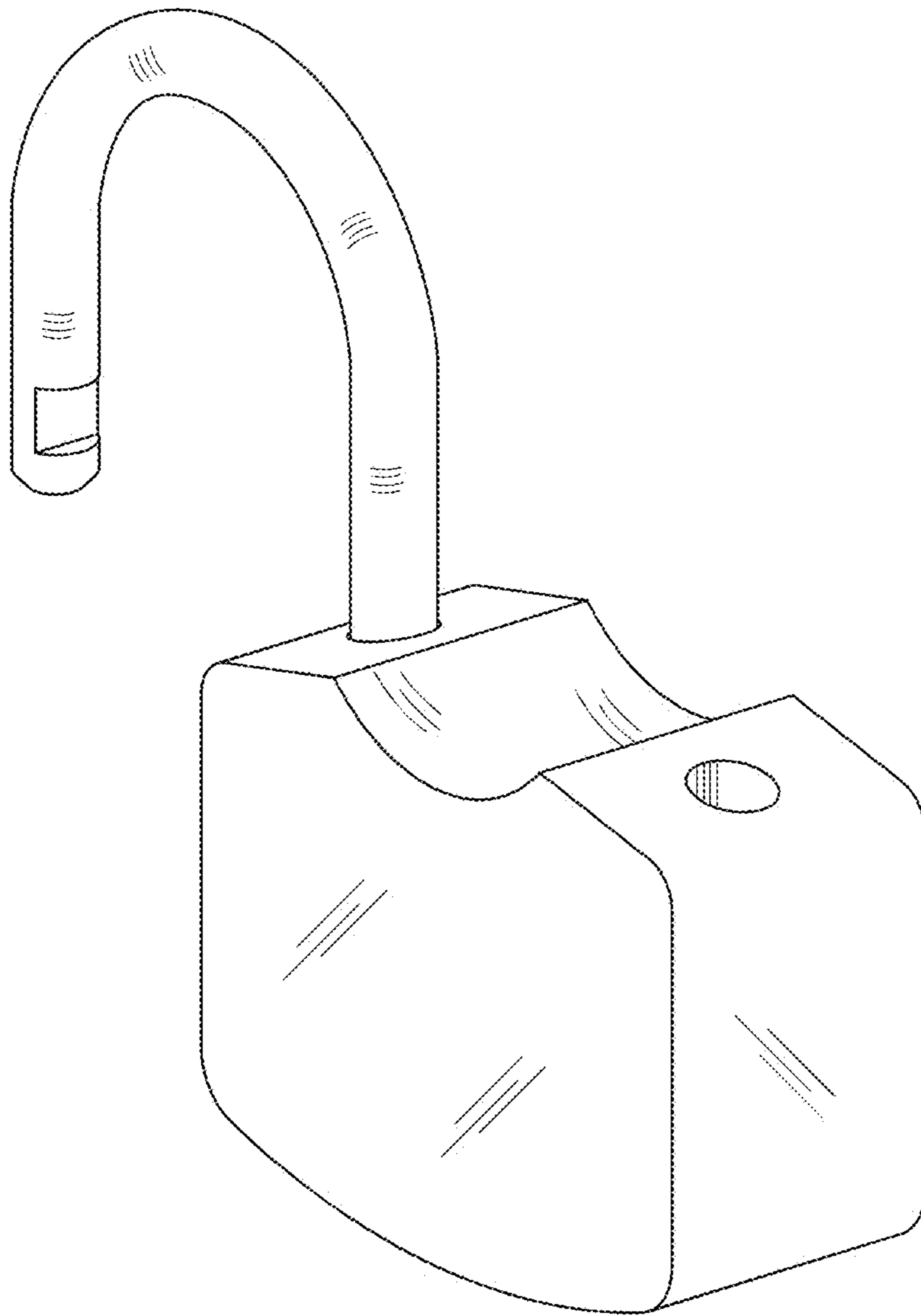


FIG.2

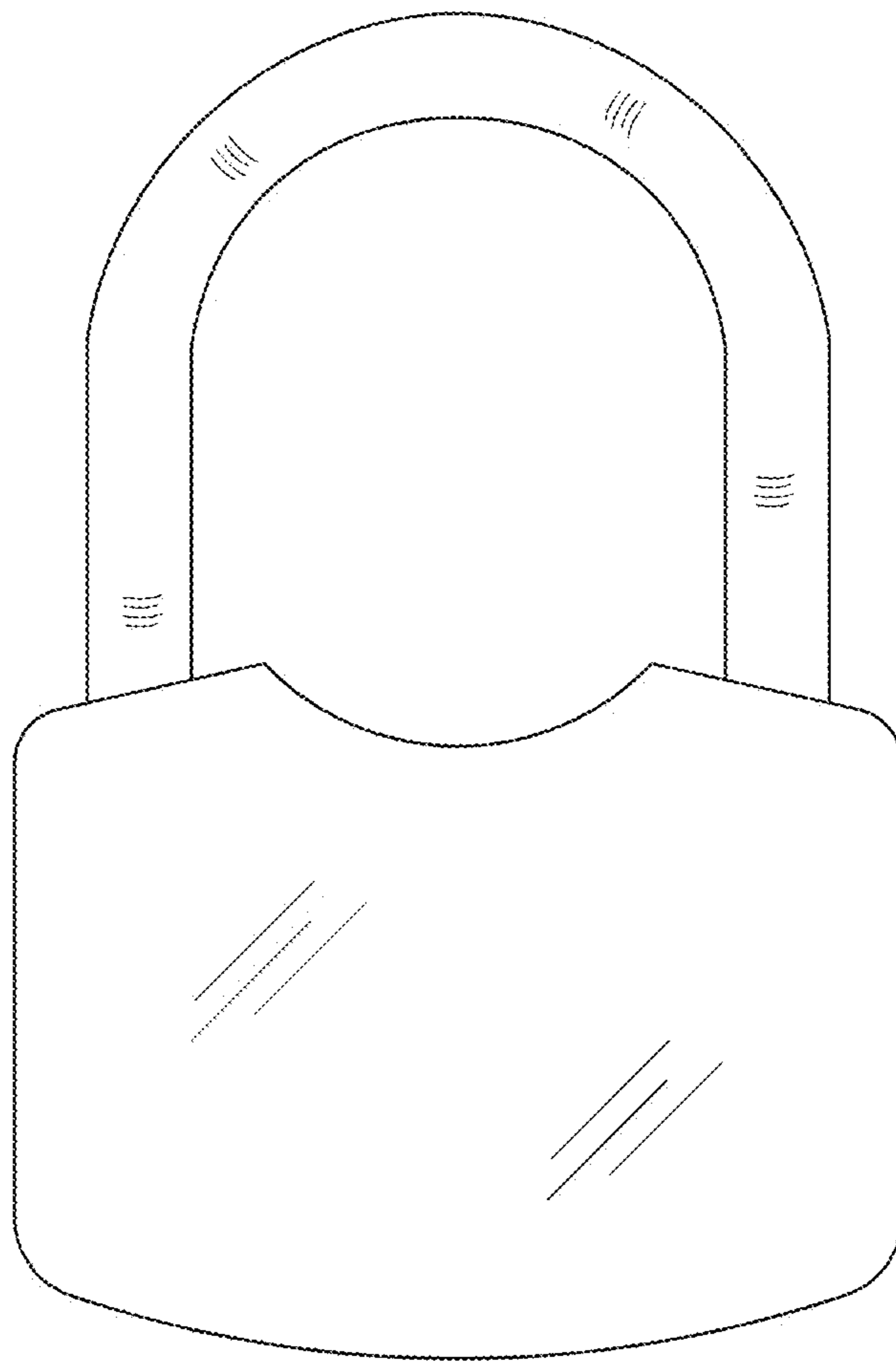


FIG. 3

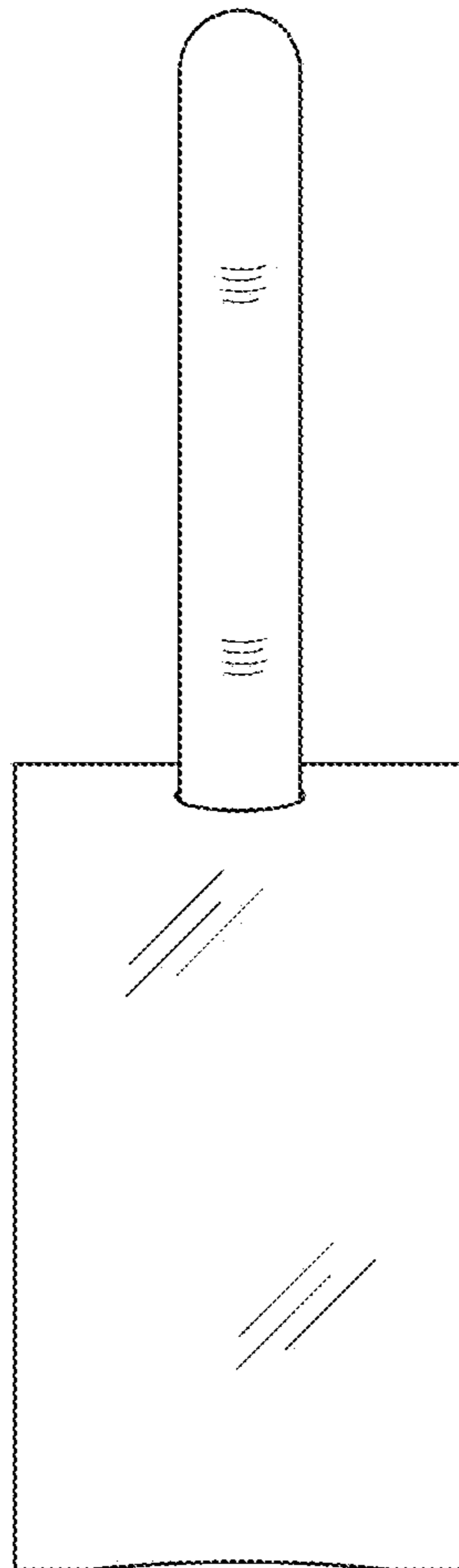


FIG. 4

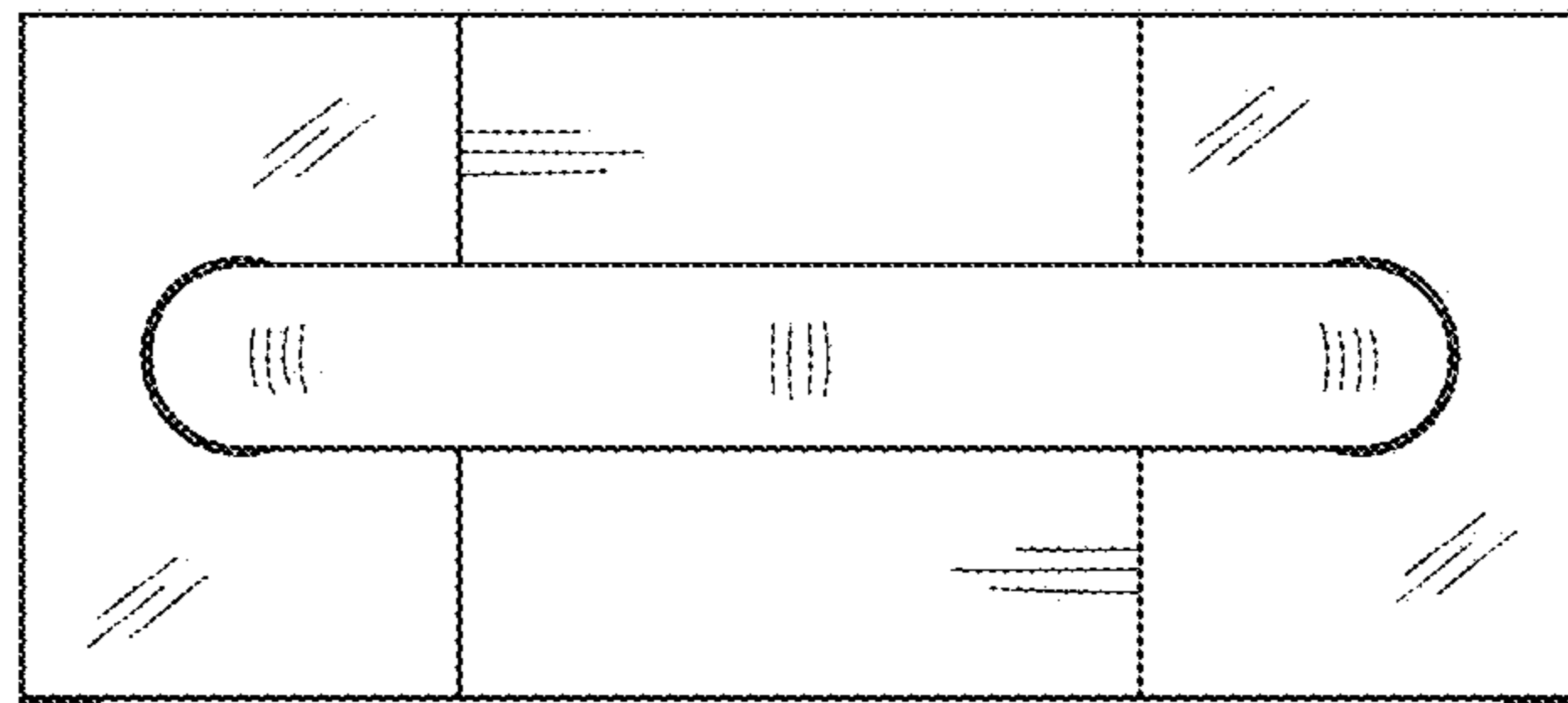


FIG.5

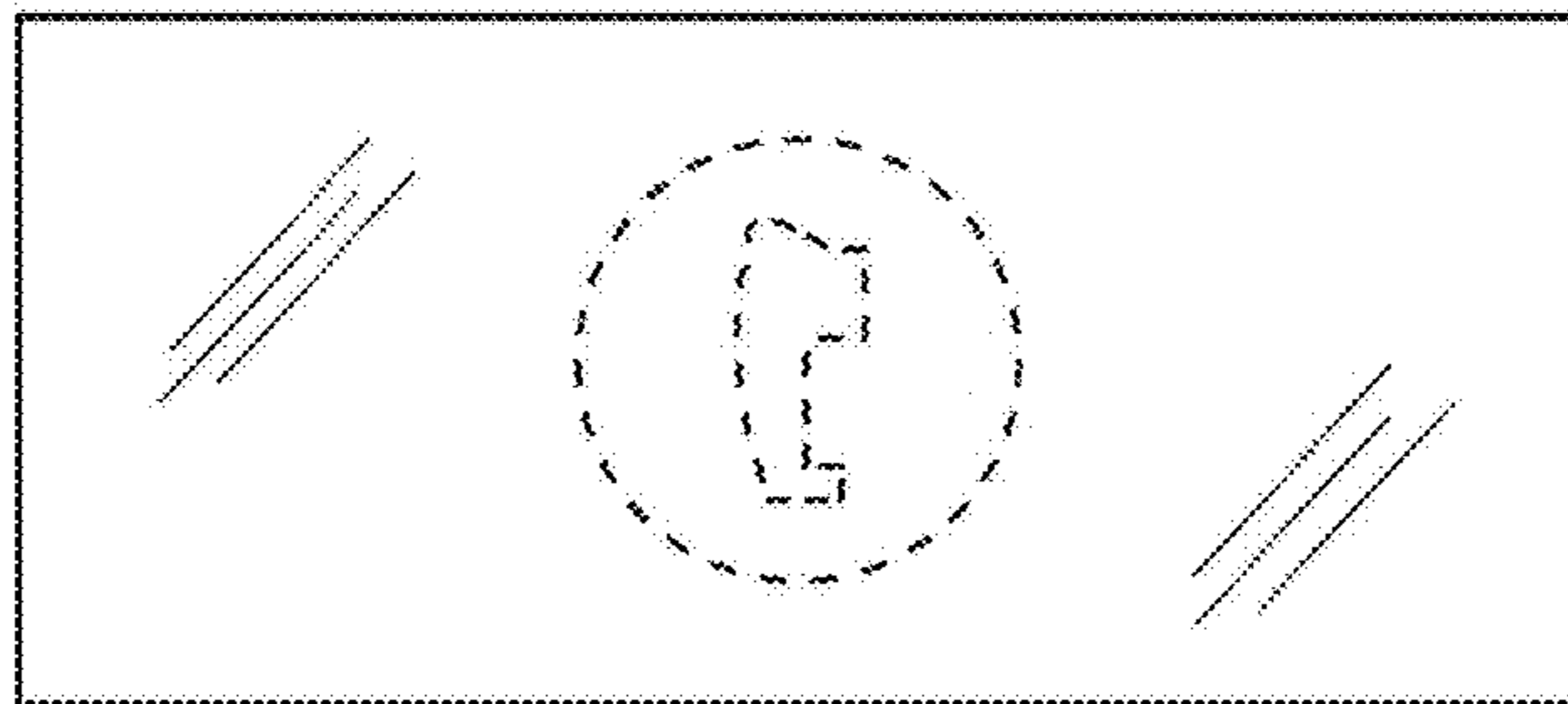


FIG. 6