



US00D963757S

(12) **United States Design Patent**
Rees et al.

(10) **Patent No.:** **US D963,757 S**
(45) **Date of Patent:** **** Sep. 13, 2022**

(54) **TOY SET**

(71) Applicant: **SMART N.V.**, Kontich (BE)

(72) Inventors: **Leighton Rees**, Cirencester (GB); **Raf Peeters**, Lier (BE)

(73) Assignee: **SMART NV**, Kontich (BE)

(**) Term: **15 Years**

(21) Appl. No.: **29/719,161**

(22) Filed: **Dec. 31, 2019**

(51) **LOC (13) Cl.** **21-01**

(52) **U.S. Cl.**

USPC **D21/471**

(58) **Field of Classification Search**

USPC D21/300, 471, 484, 475, 486, 491,
D21/499–502, 504, 506, 507; D8/382;
(Continued)

(56) **References Cited**

U.S. PATENT DOCUMENTS

D279,393 S * 6/1985 Hilko D21/471

D310,394 S * 9/1990 Roy D21/471

(Continued)

Primary Examiner — Mehri F Bajoul

(74) *Attorney, Agent, or Firm* — Hodgson Russ LLP

(57) **CLAIM**

The ornamental design for a toy set, as shown and described.

DESCRIPTION

FIG. 1 is a top perspective view of a toy set comprising a first piece, a second piece, a third piece, and a fourth piece; FIG. 2 is an exploded top perspective view of the pieces of the toy set of FIG. 1;

FIG. 3 is a front top perspective view of the first piece of the toy set shown apart for ease of illustration;

FIG. 4 is a rear top perspective view thereof;

FIG. 5 is a left side elevation view thereof;

FIG. 6 is a front elevation view thereof;

FIG. 7 is a right side elevation view thereof;

FIG. 8 is a rear elevation view thereof;

FIG. 9 is a top plan view thereof;

FIG. 10 is a bottom plan view thereof;

FIG. 11 is a front top perspective view of the second piece of the toy set with the piece shown apart for ease of illustration;

FIG. 12 is a rear top perspective view thereof;

FIG. 13 is a left side elevation view thereof;

FIG. 14 is a front elevation view thereof;

FIG. 15 is a right side elevation view thereof;

FIG. 16 is a rear elevation view thereof;

FIG. 17 is a top plan view thereof;

FIG. 18 is a bottom plan view thereof;

FIG. 19 is a front top perspective view of the third piece of the toy set shown apart for ease of illustration;

FIG. 20 is a rear top perspective view thereof;

FIG. 21 is a left side elevation view thereof;

FIG. 22 is a front elevation view thereof;

FIG. 23 is a right side elevation view thereof;

FIG. 24 is a rear elevation view thereof;

FIG. 25 is a top plan view thereof;

FIG. 26 is a bottom plan view thereof;

FIG. 27 is a front top perspective view of the fourth piece of the toy set in a first position and shown apart for ease of illustration;

FIG. 28 is a rear top perspective view thereof;

FIG. 29 is a left side elevation view thereof;

FIG. 30 is a front elevation view thereof;

FIG. 31 is a right side elevation view thereof;

FIG. 32 is a rear elevation view thereof;

FIG. 33 is a top plan view thereof;

FIG. 34 is a bottom plan view thereof;

FIG. 35 is a front top perspective view of the fourth piece of the toy set in a second position and shown apart for ease of illustration;

FIG. 36 is a rear top perspective view thereof;

FIG. 37 is a left side elevation view thereof;

FIG. 38 is a front elevation view thereof;

FIG. 39 is a right side elevation view thereof;

FIG. 40 is a rear elevation view thereof;

FIG. 41 is a top plan view thereof; and,

(Continued)

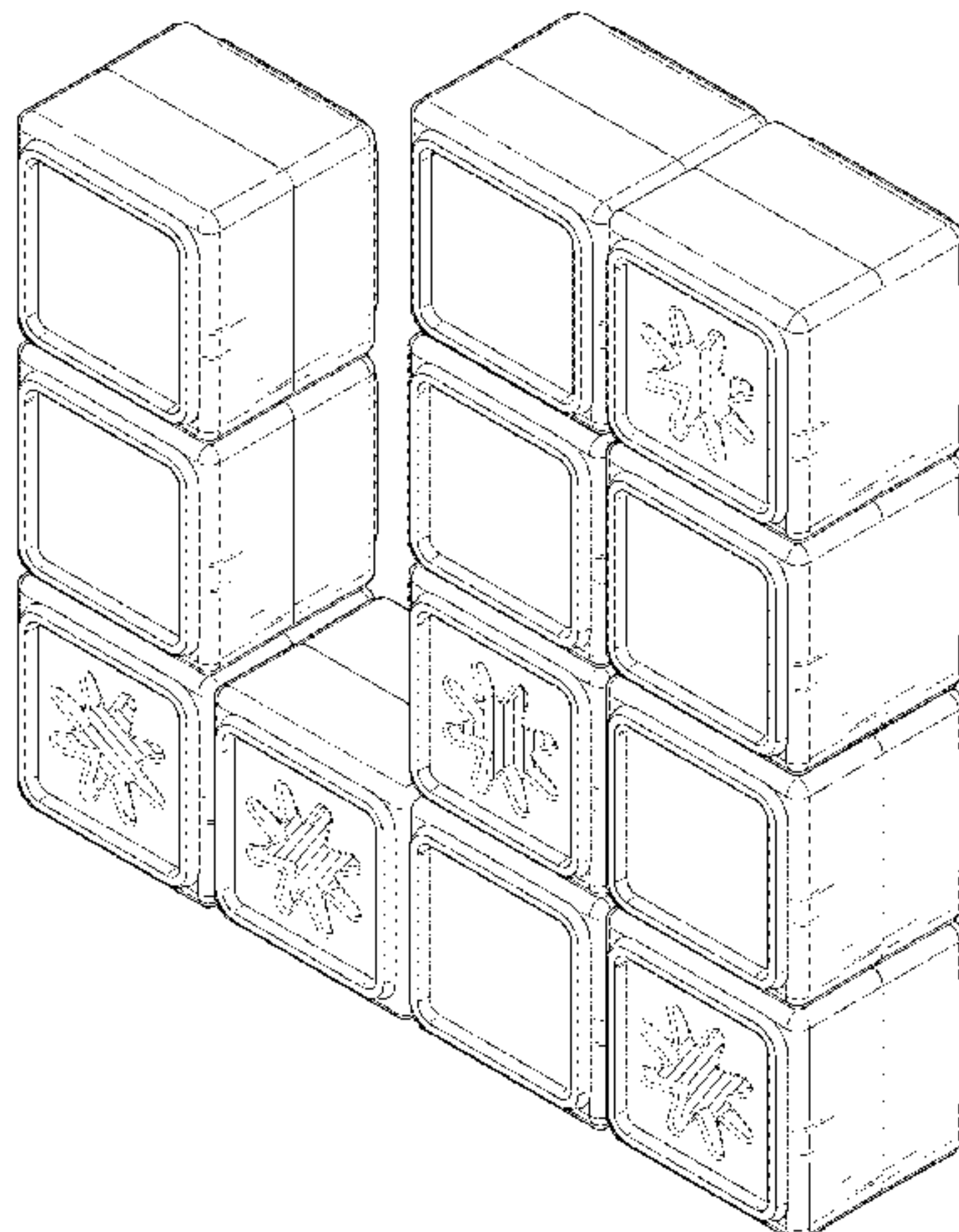


FIG. 42 is a bottom plan view thereof. The evenly-dashed broken lines in the drawings illustrate the portions of the toy set that form no part of the claim. The lined areas shown on the inside of the toy set illustrate a contrast in color in relation to each other. The lines of the lined areas do not form part of the claimed design but rather are included merely to define the location of the lined areas. It is understood that the contrasting colors are not limited to the colors specifically indicated in the drawing disclosure. Such lined areas illustrate a contrast in appearance.

1 Claim, 22 Drawing Sheets

(58) Field of Classification Search

USPC D25/113, 114, 118; 273/153 R, 156, 273/157 R, 160, 153 S; 446/69, 89, 92
 CPC ... A63H 33/04; A63F 9/26; A63F 9/24; A63F 1/04; A63F 9/001; A63F 9/0826-0842; A63F 2009/0846-0853

See application file for complete search history.

(56) References Cited

U.S. PATENT DOCUMENTS

D340,093 S * 10/1993 Hrsel D21/478
 D373,326 S * 9/1996 Ilaria D11/96
 5,649,703 A * 7/1997 Kanbar A63F 1/04
 273/157 R

D407,447 S * 3/1999 Tam D21/478
 6,186,860 B1 * 2/2001 Liao A63F 9/001
 273/153 S
 D469,825 S * 2/2003 Manville D21/499
 D475,094 S * 5/2003 Ko D21/478
 D495,378 S * 8/2004 Sugden D21/478
 D528,607 S * 9/2006 Sugden D21/478
 D593,976 S * 6/2009 Liaw D14/126
 D600,291 S * 9/2009 Christensen D21/501
 D602,939 S * 10/2009 Andre D14/480.1
 7,731,192 B1 * 6/2010 Marhefka A63F 9/26
 273/157 R
 D652,952 S * 1/2012 Angel D25/113
 D669,940 S * 10/2012 Berkshire D21/471
 D678,423 S * 3/2013 Verdes D21/478
 D728,695 S * 5/2015 Chase D21/471
 D729,323 S * 5/2015 Kinlay D21/478
 9,472,112 B2 * 10/2016 Schweikardt A63H 33/04
 D803,951 S * 11/2017 Belker D21/499
 D884,088 S * 5/2020 Leibovich D21/478
 D894,291 S * 8/2020 Poulus D21/478
 D902,320 S * 11/2020 Garrett D21/478
 D925,305 S * 7/2021 Istrate D7/701
 2004/0082256 A1 * 4/2004 Ahn A63H 33/04
 446/85
 2005/0184458 A1 * 8/2005 Sugden A63F 9/0842
 273/153 S
 2008/0070657 A1 * 3/2008 Kratz A63F 9/24
 463/9
 2018/0311566 A1 * 11/2018 Shin A63F 9/24
 2020/0023266 A1 * 1/2020 Lee A63F 9/0842

* cited by examiner

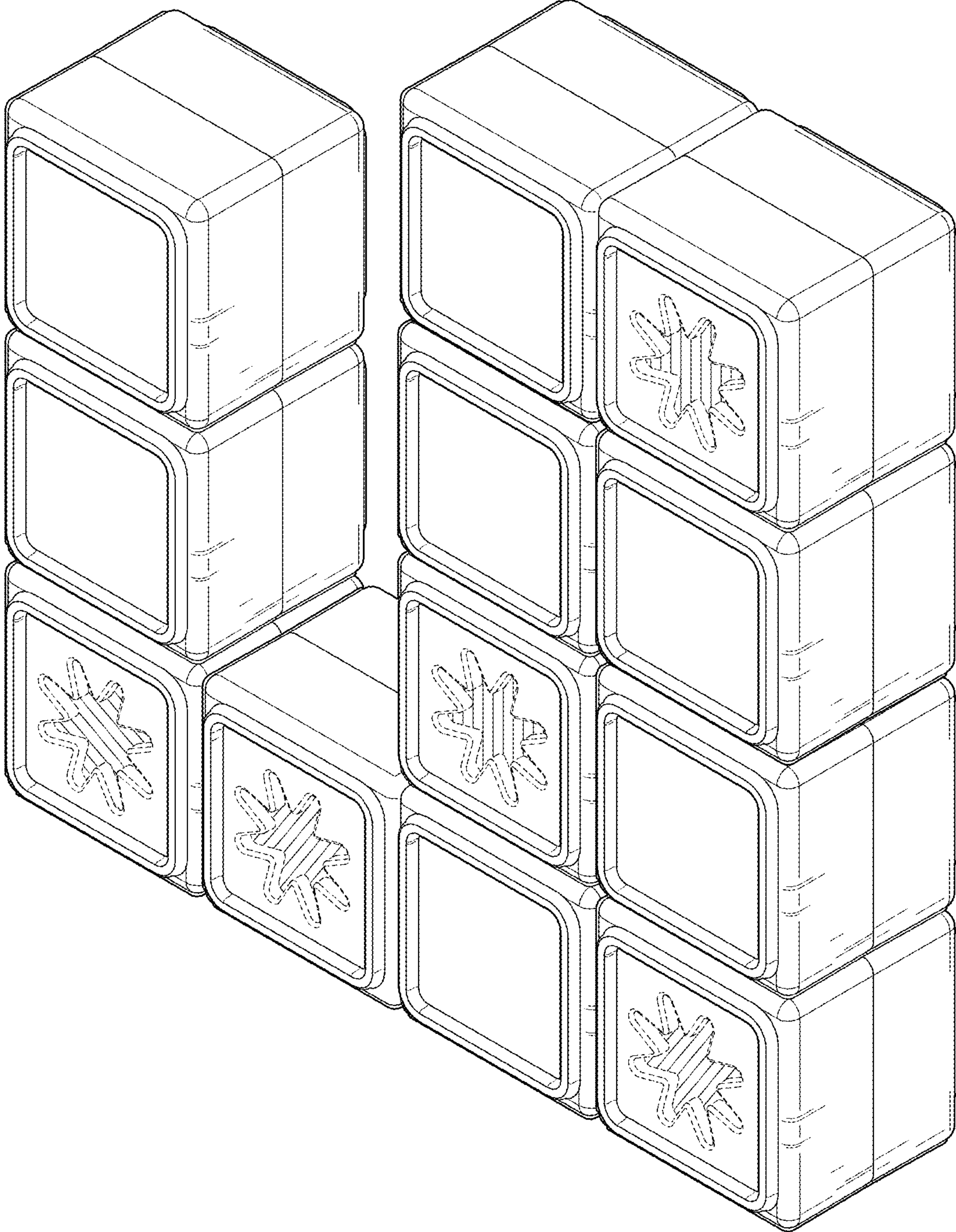


Fig. 1

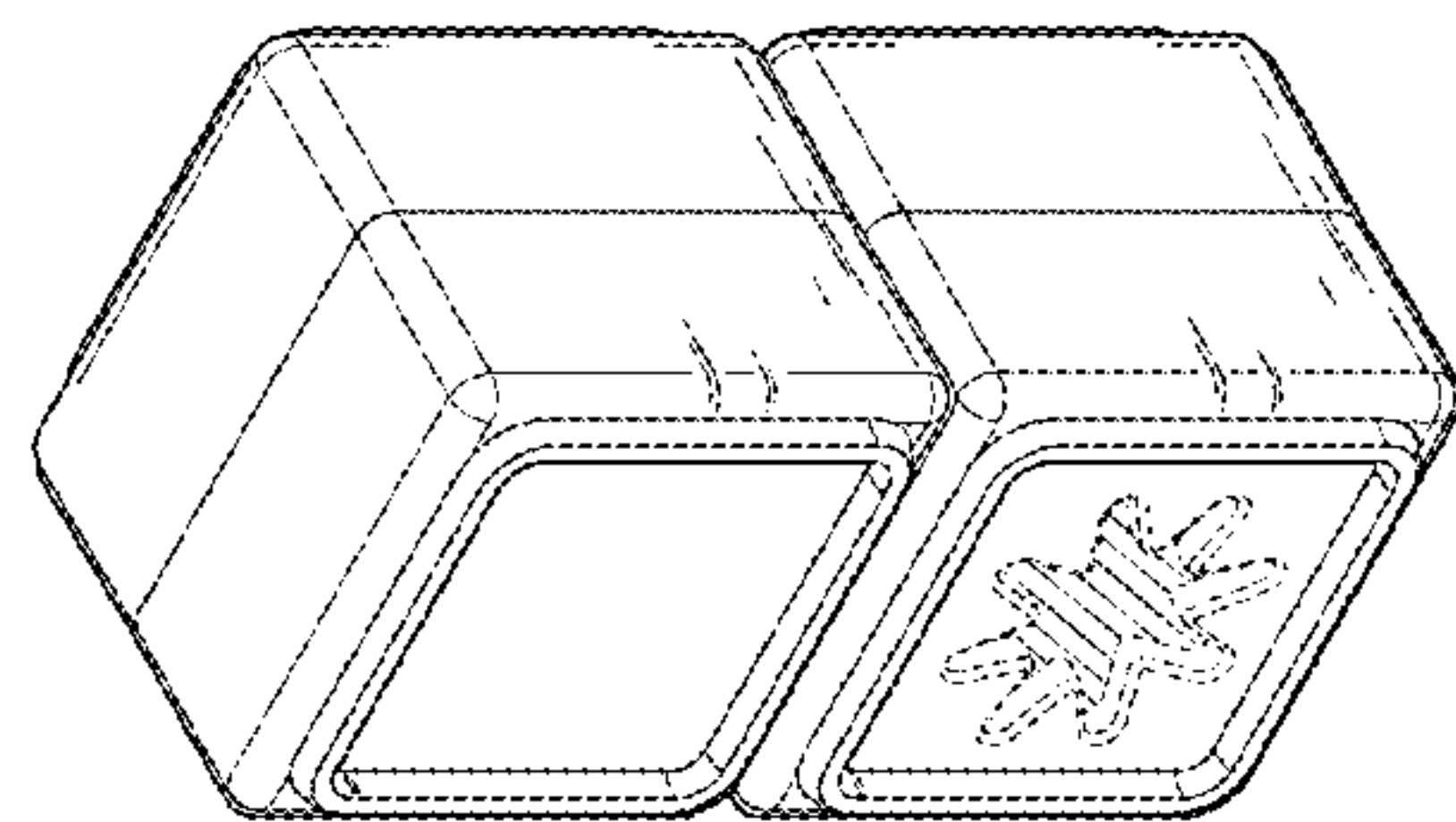
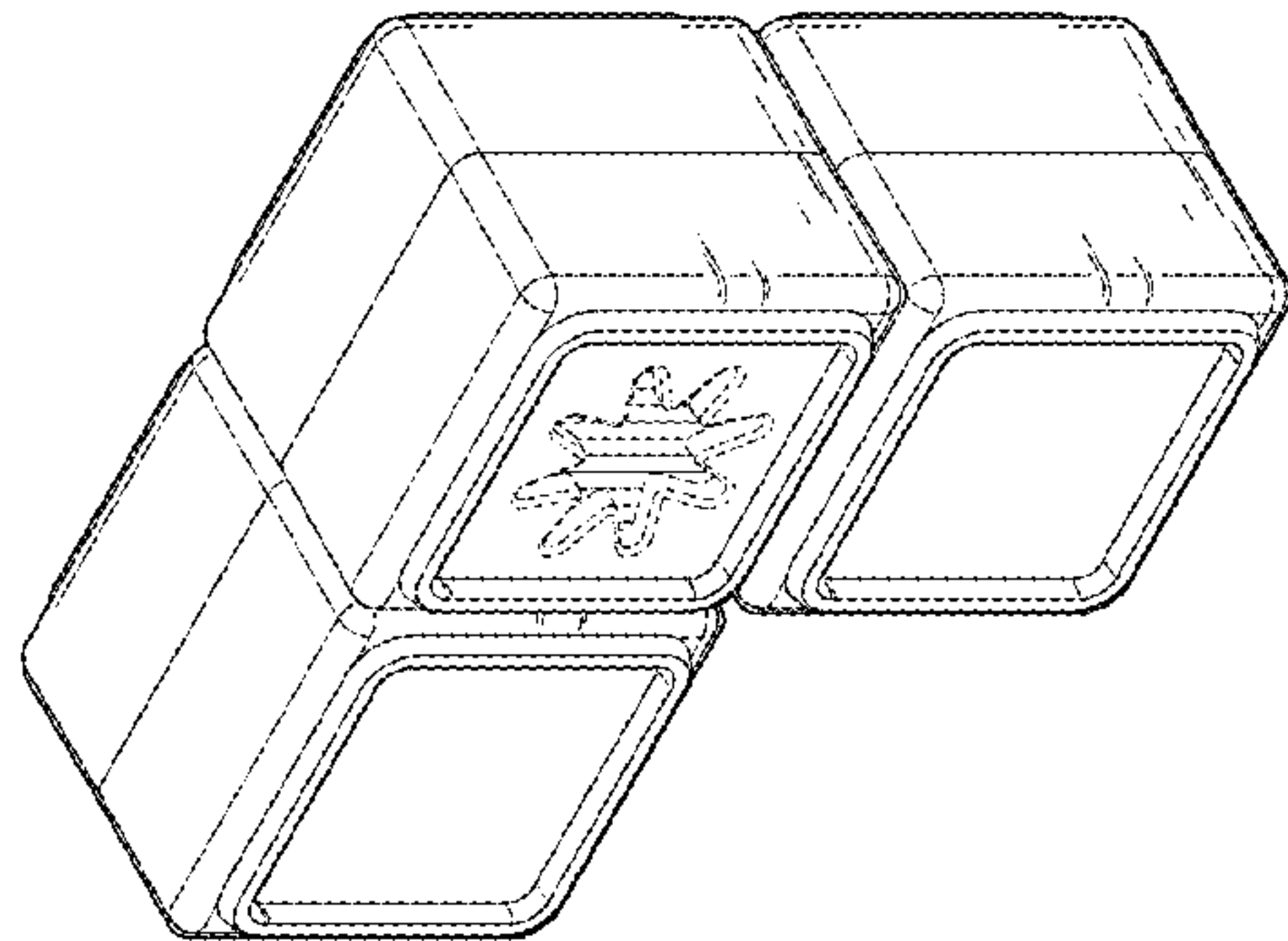
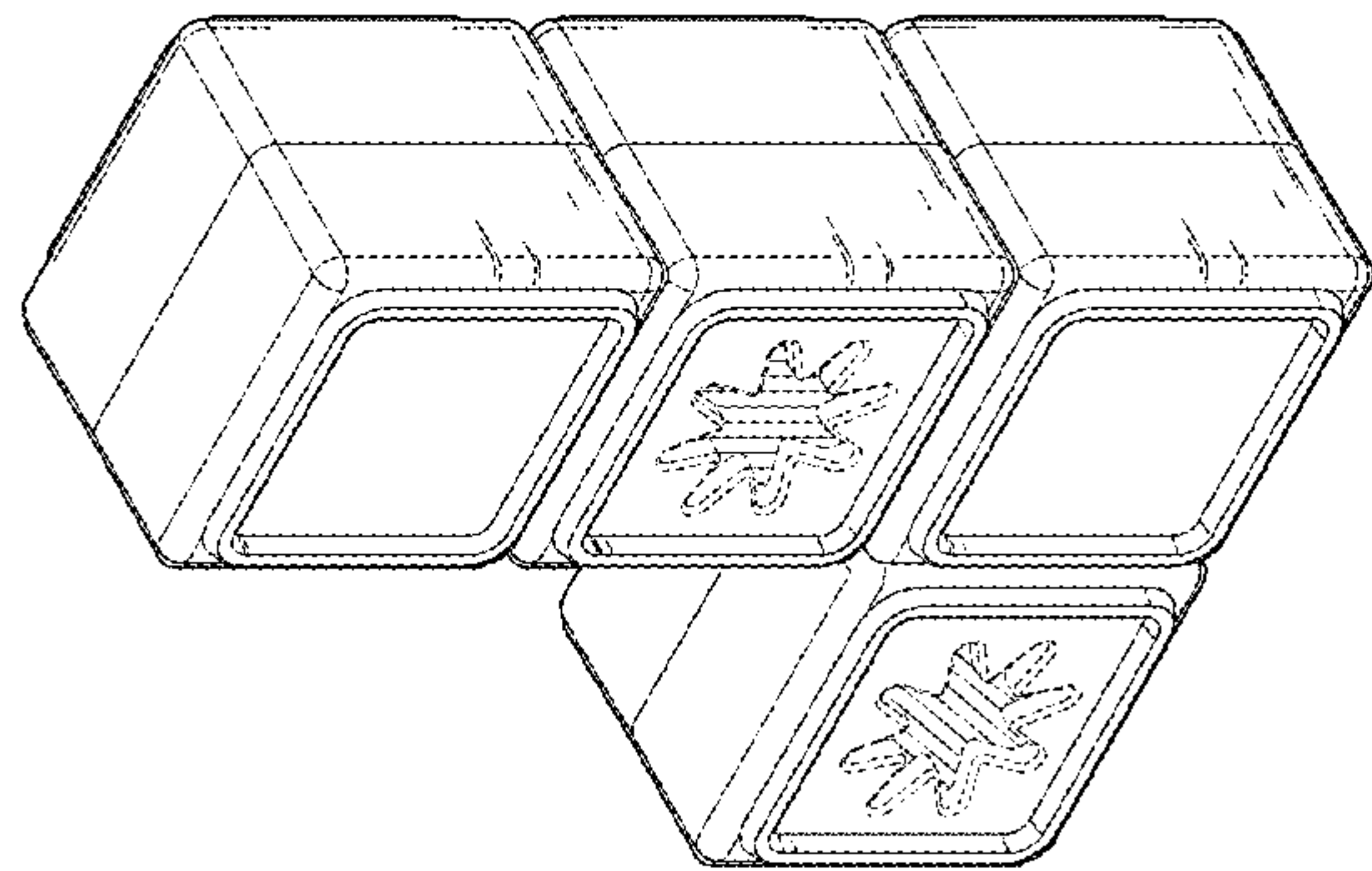
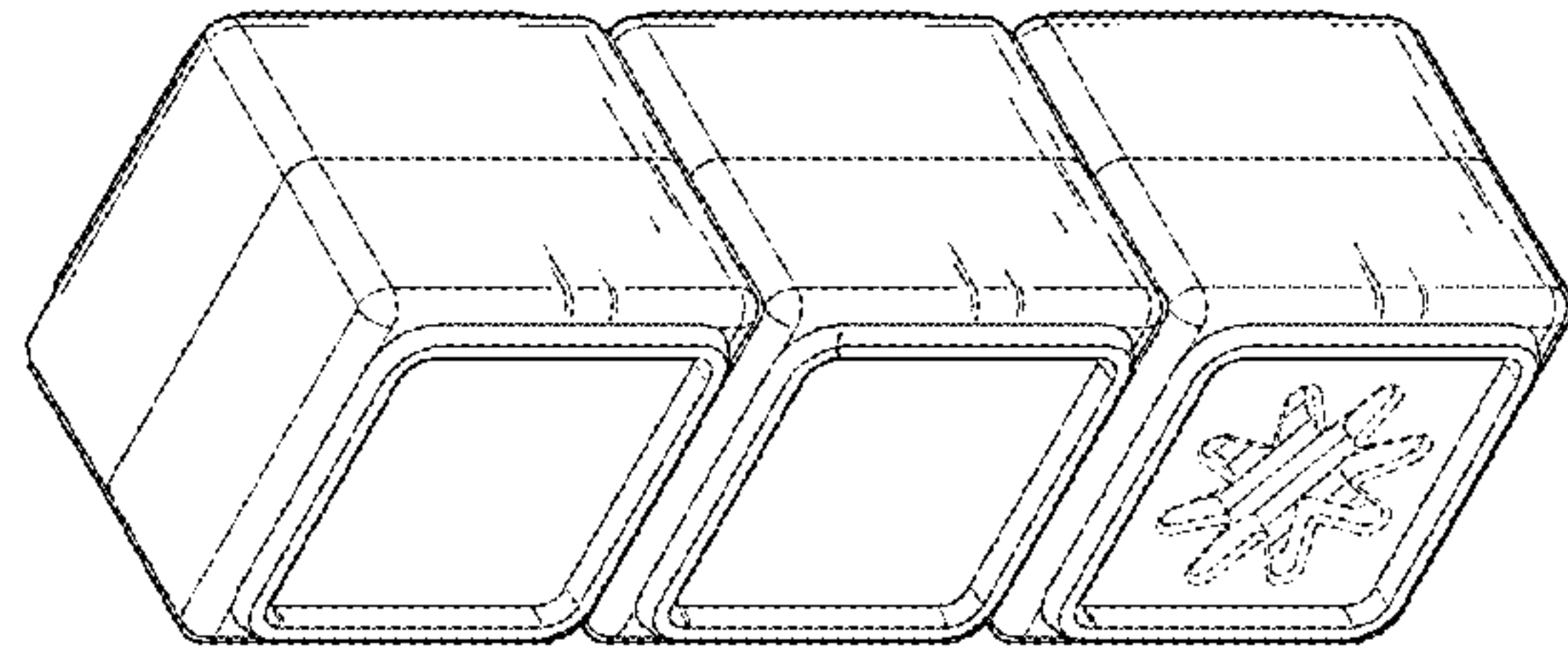


Fig. 2

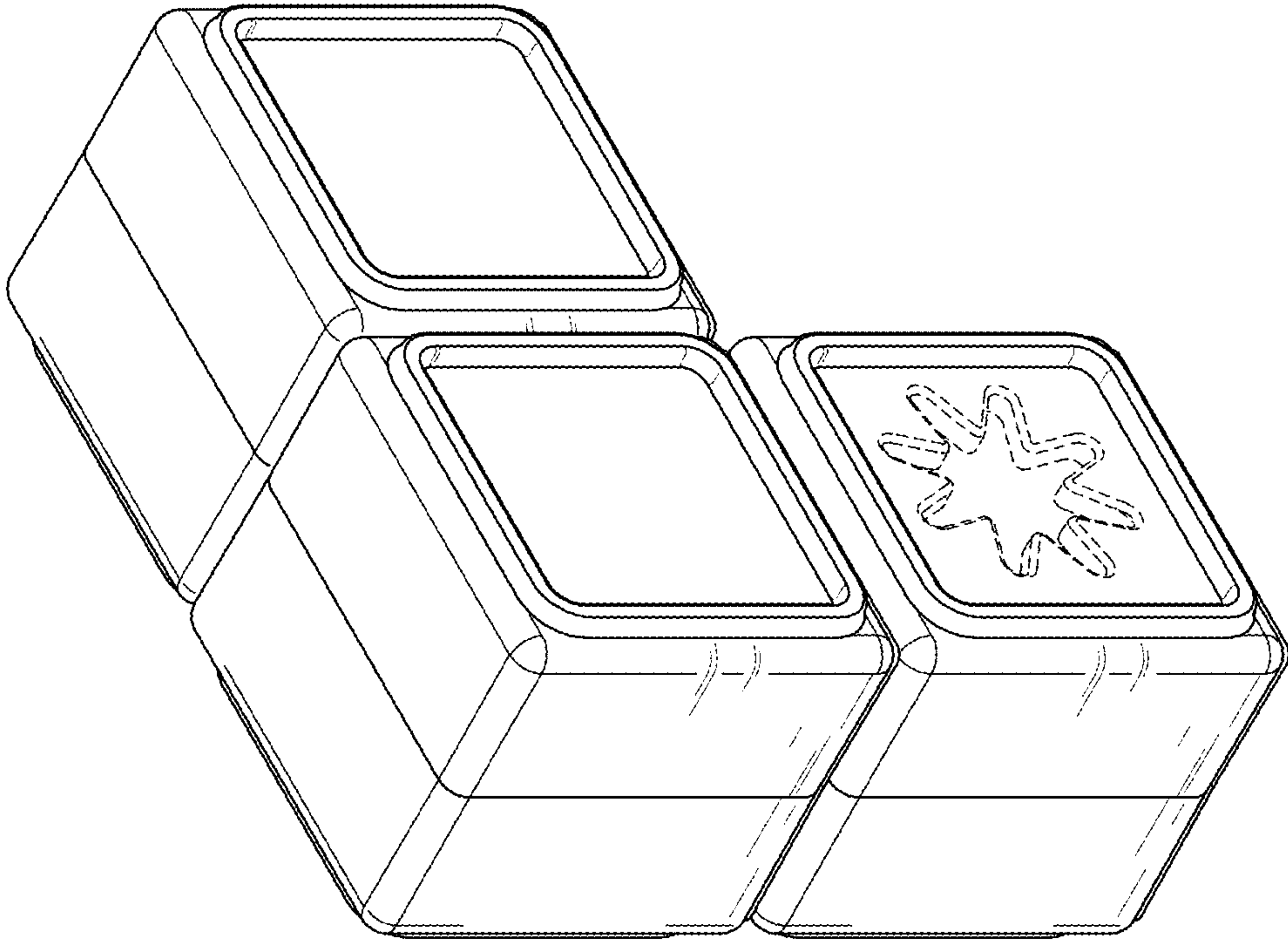


Fig. 4

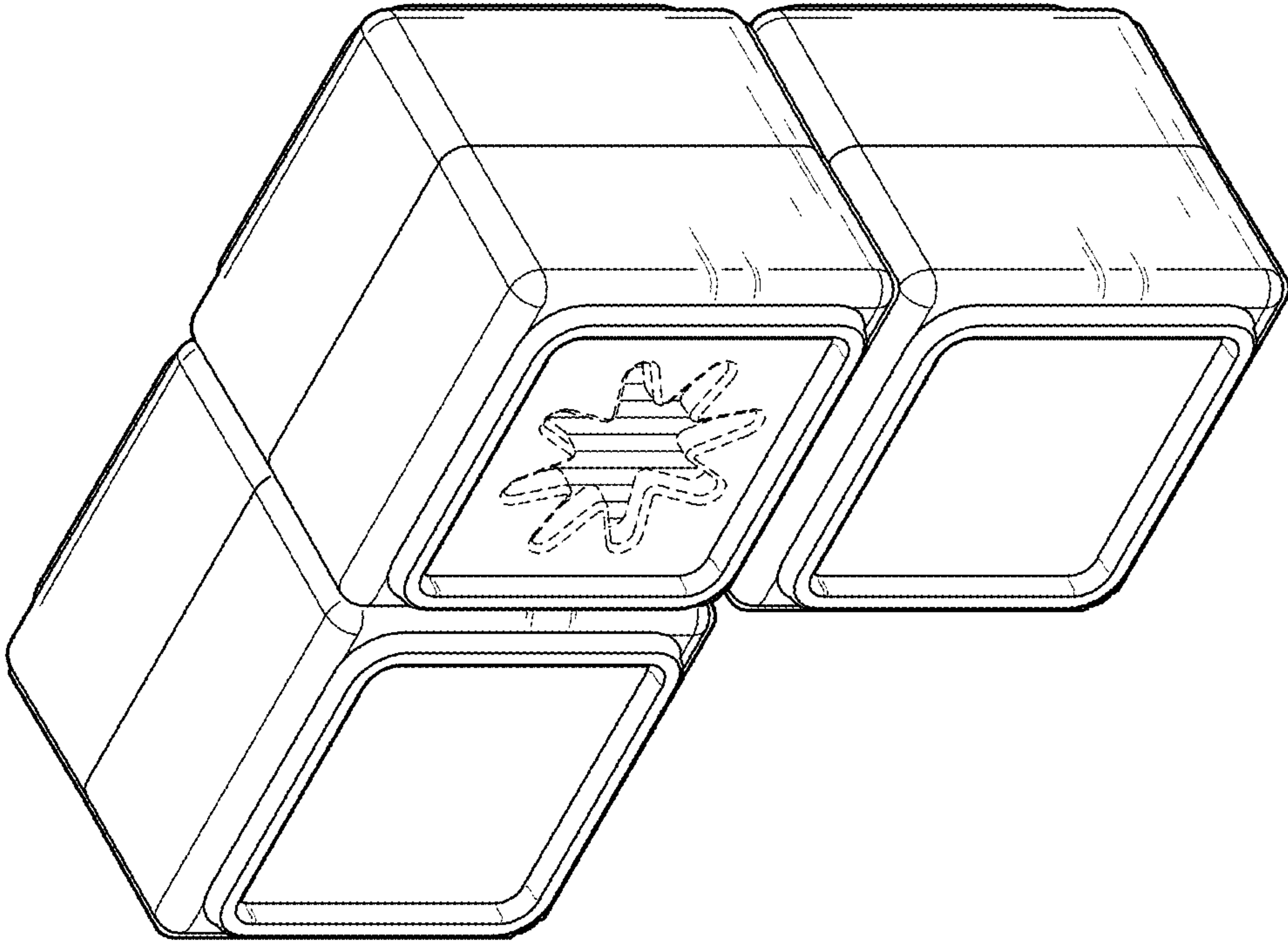


Fig. 3

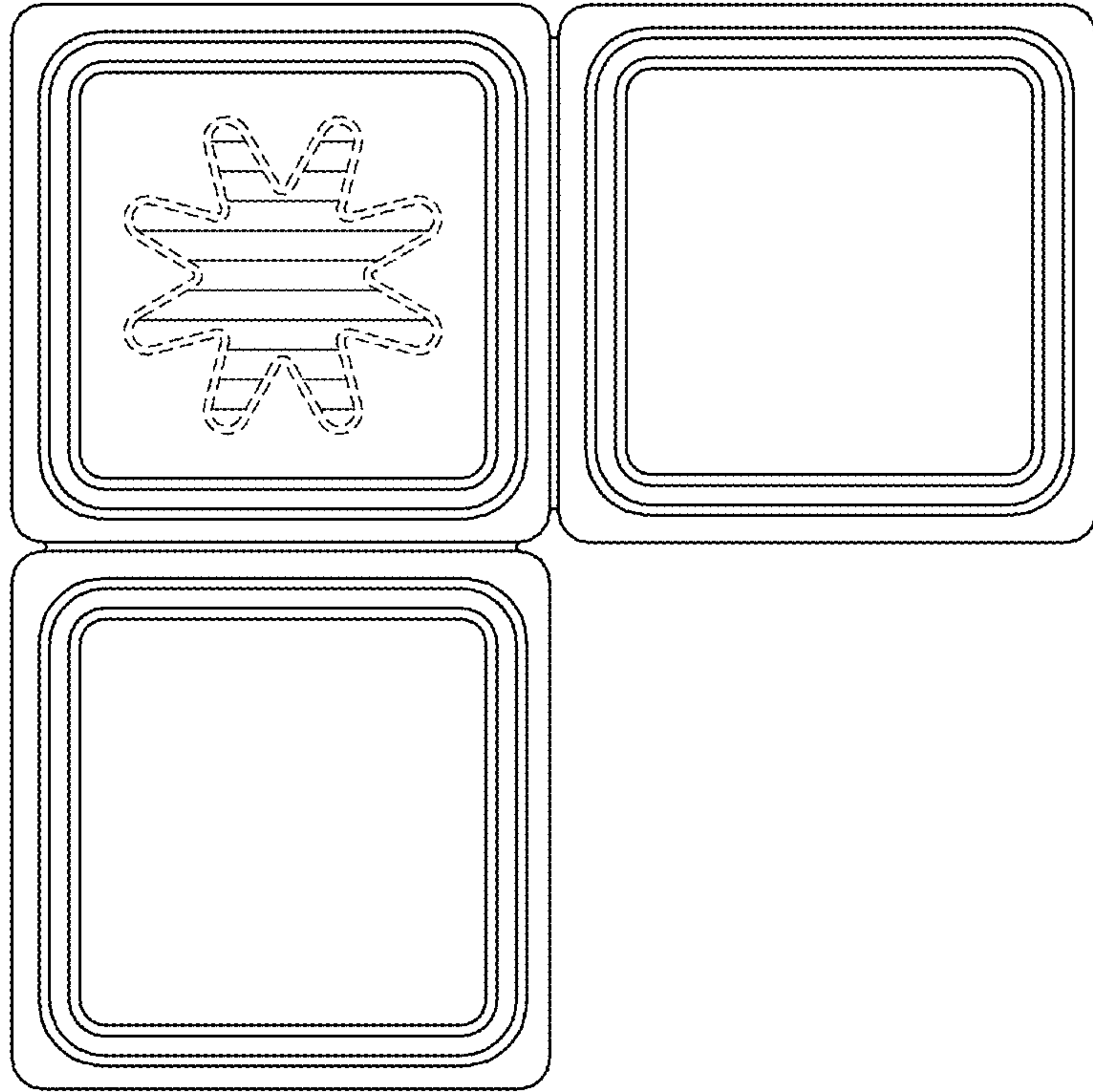


Fig. 6

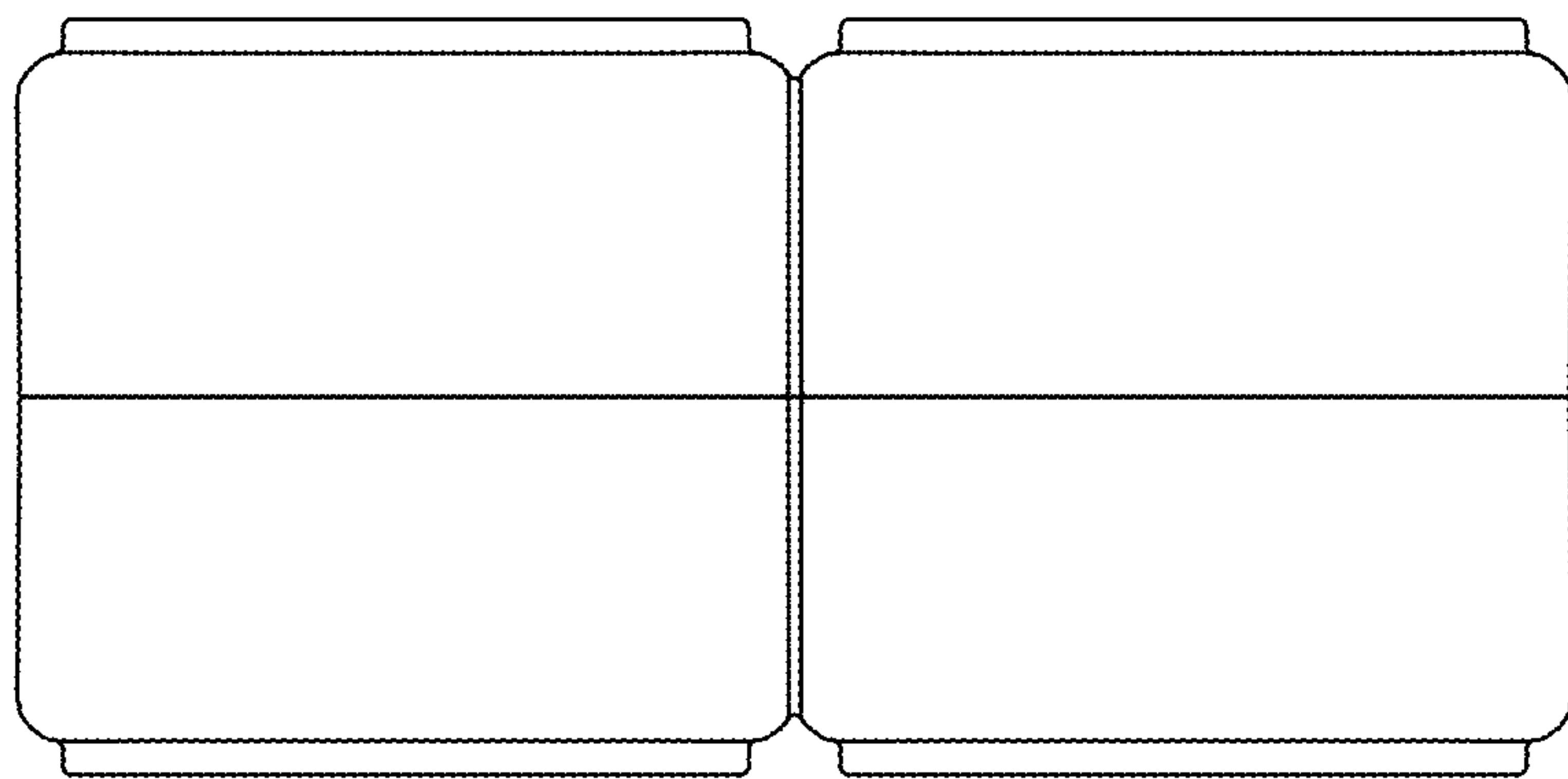


Fig. 5

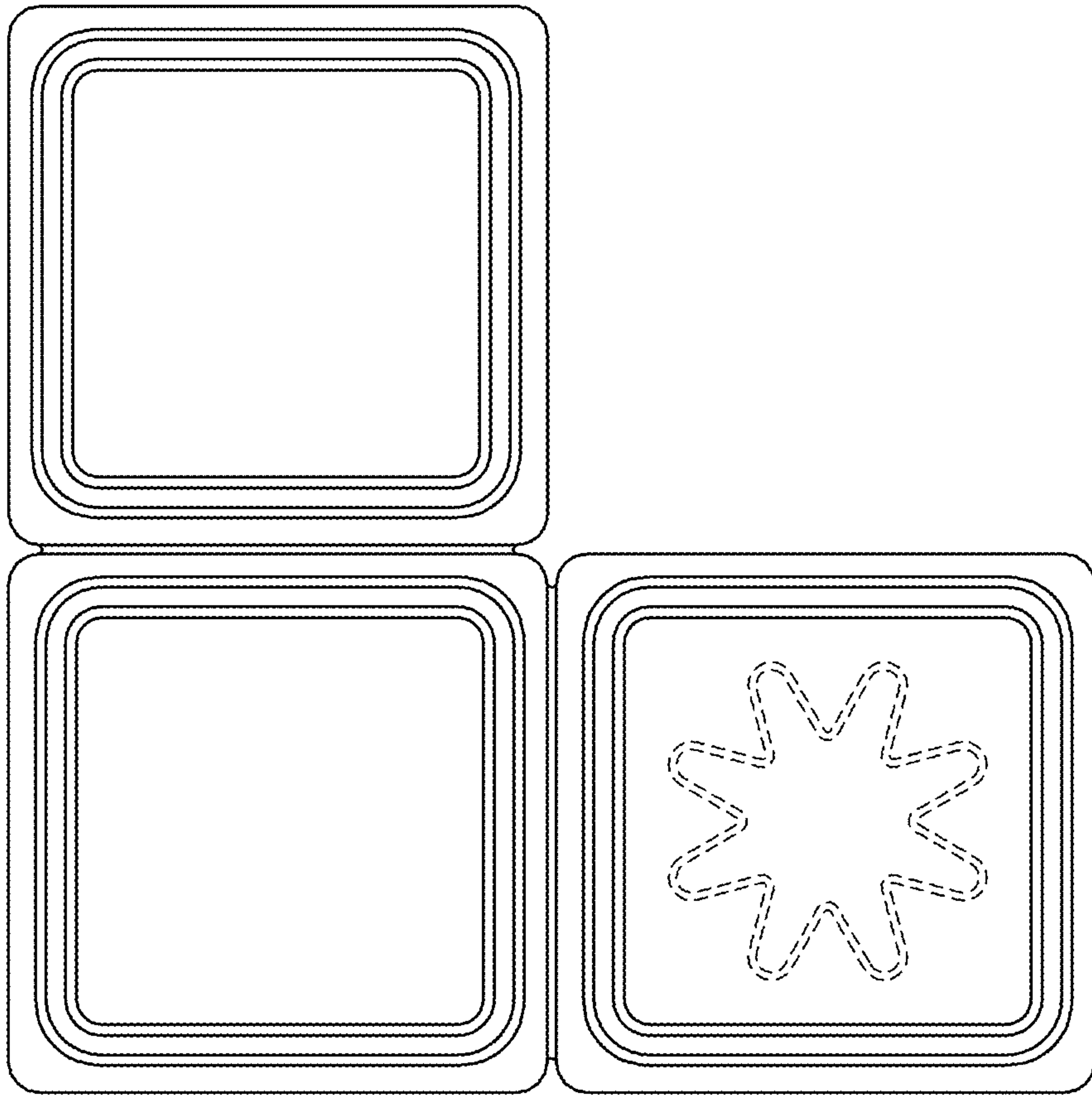


Fig. 8

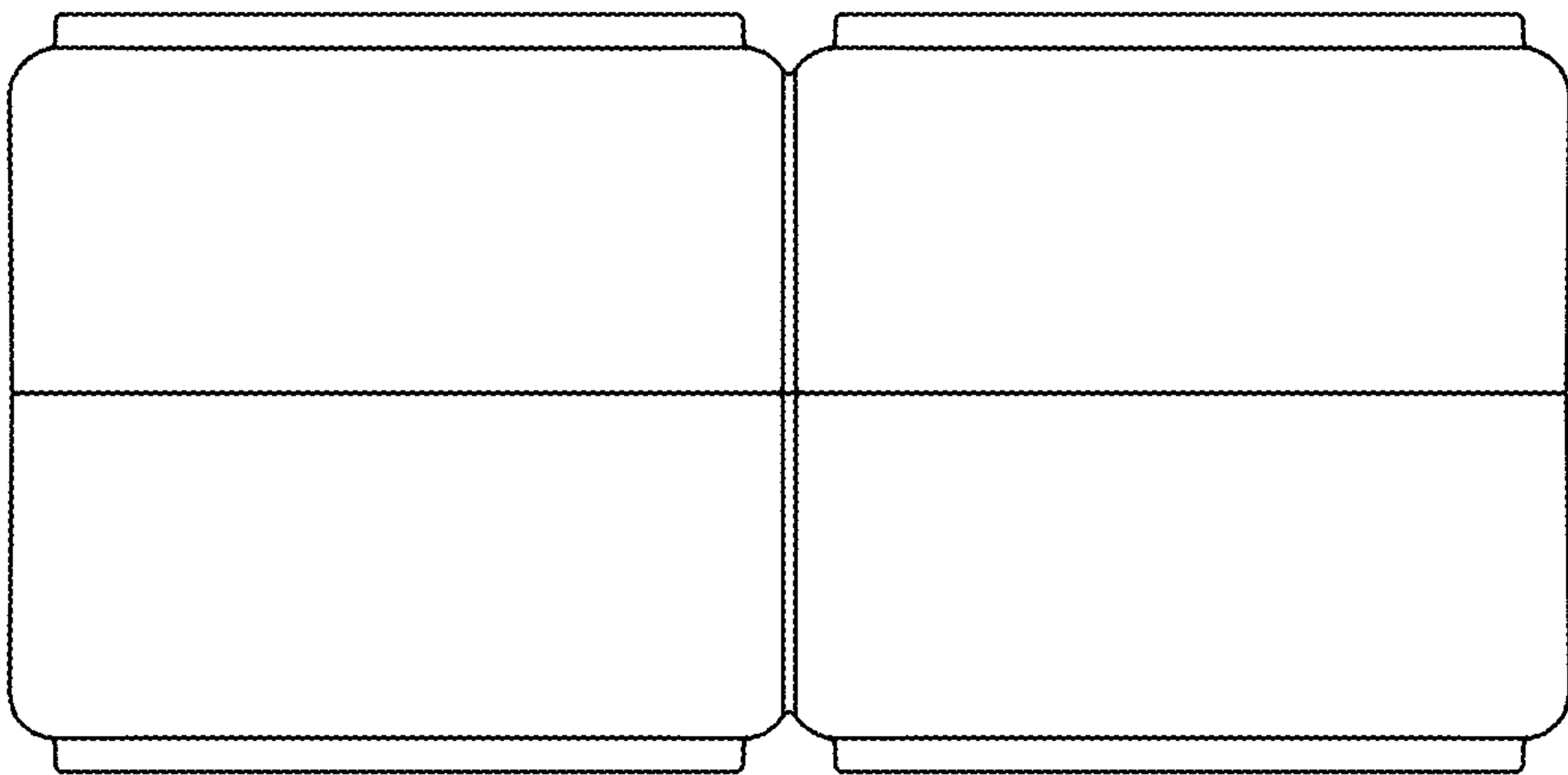


Fig. 7

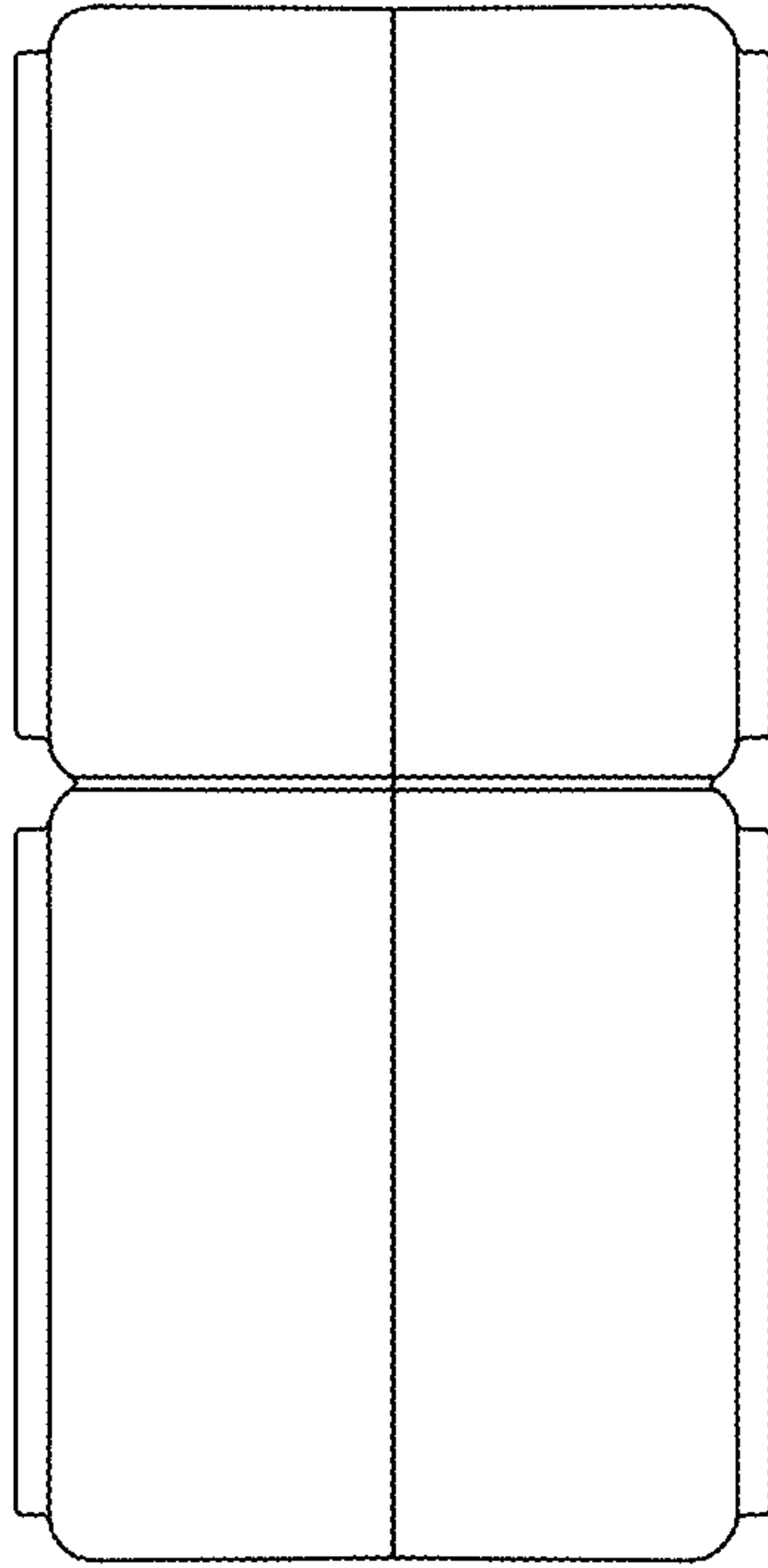


Fig. 9

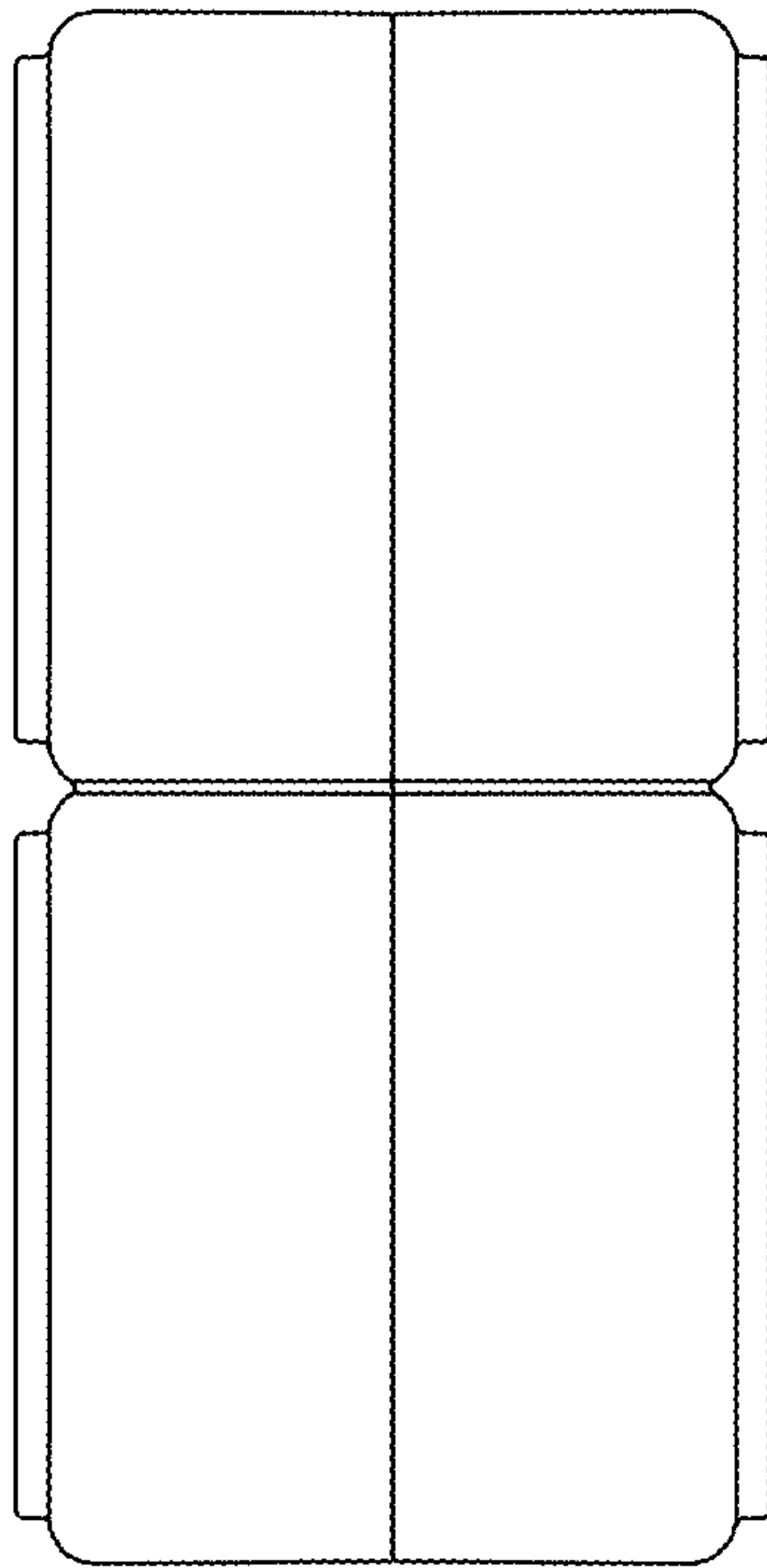


Fig. 10

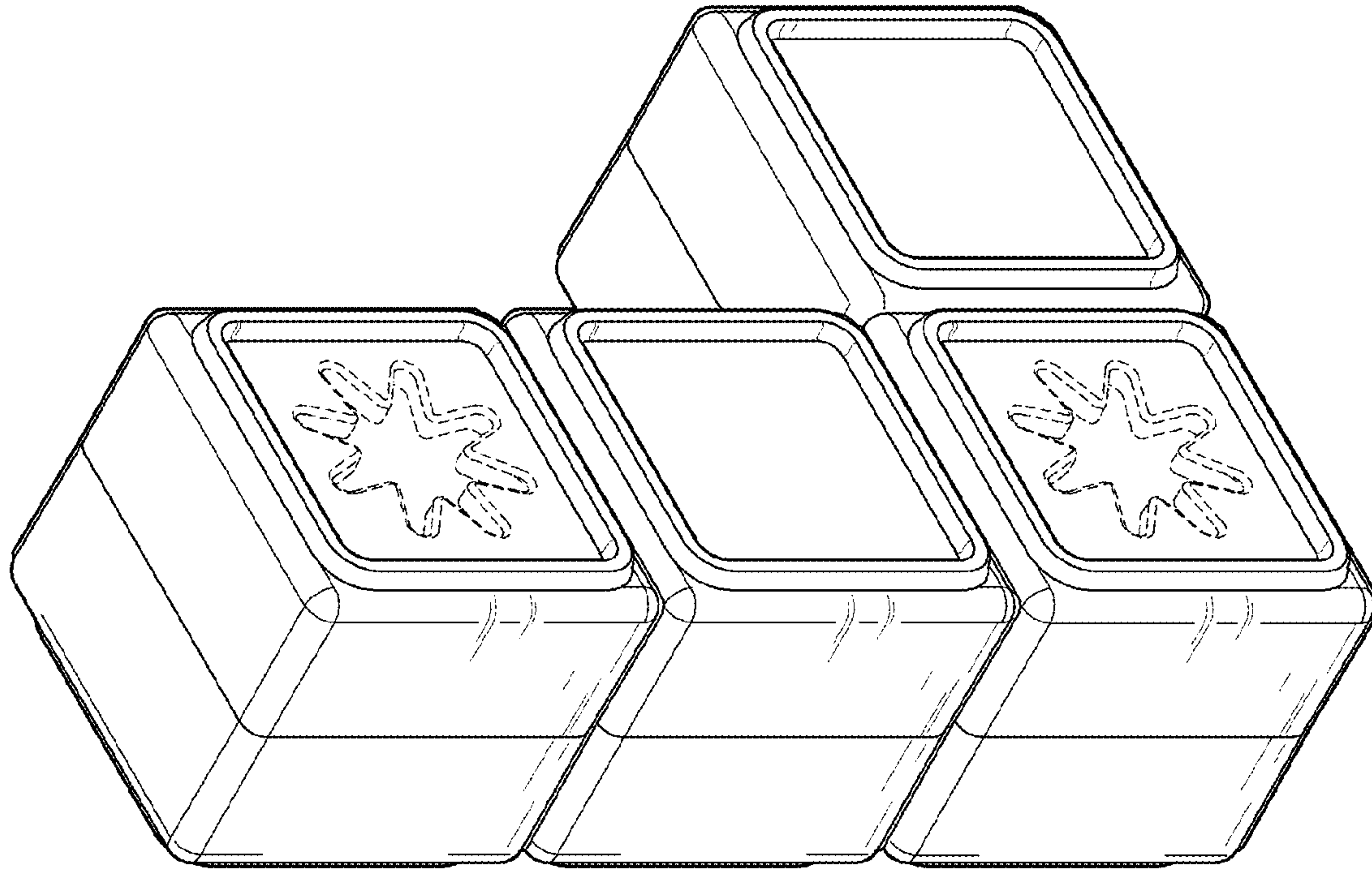


Fig. 12

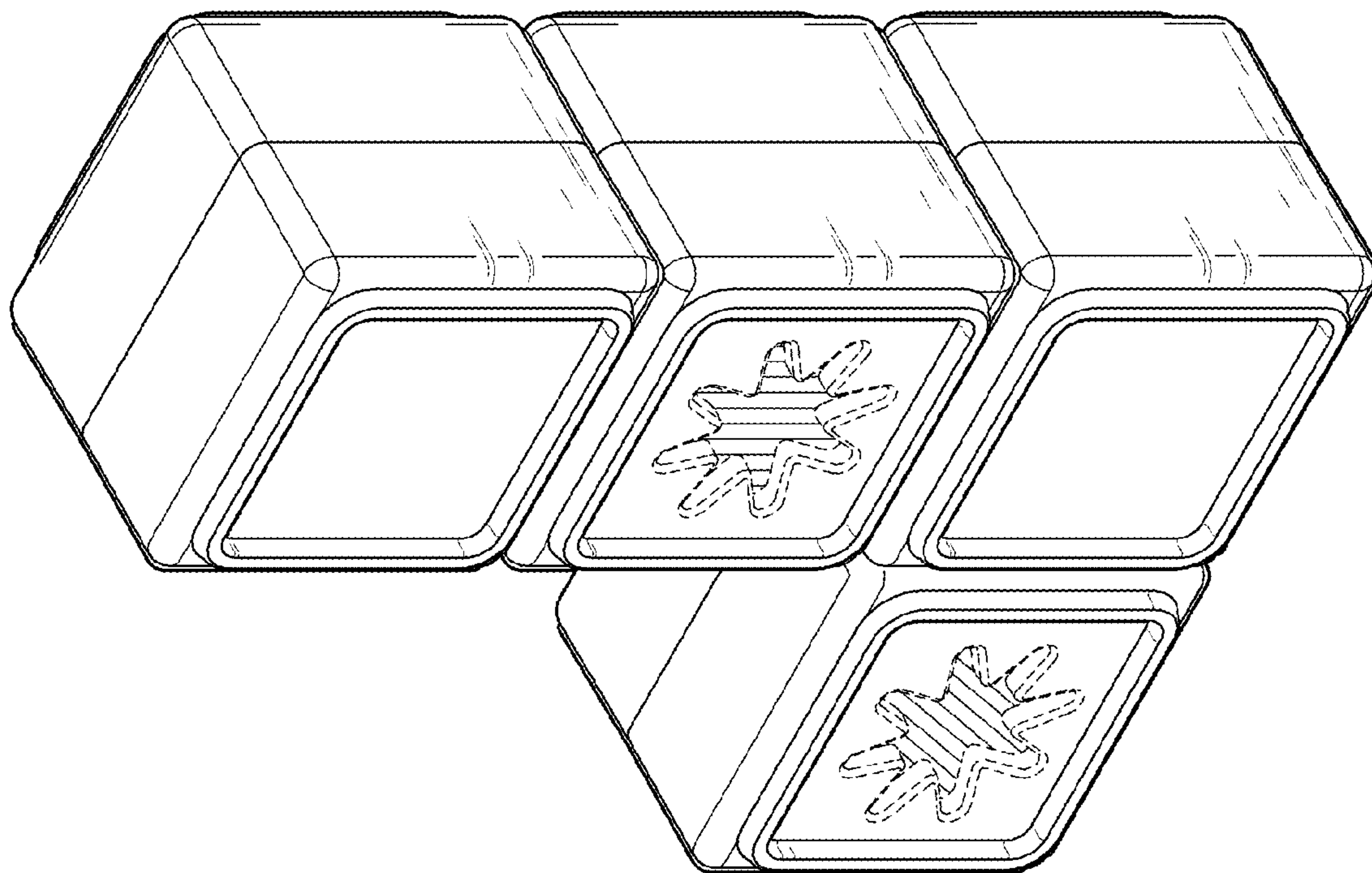


Fig. 11

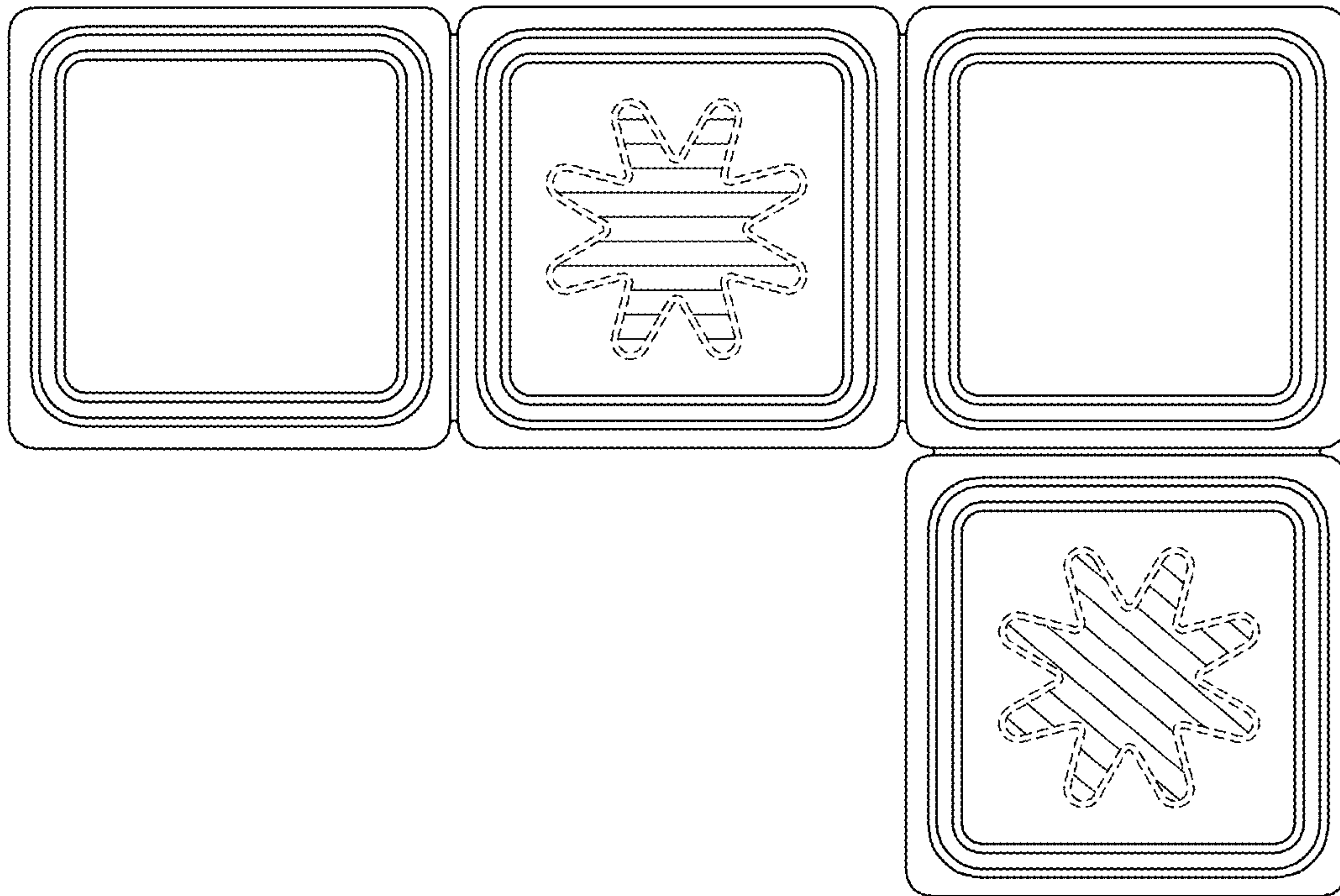


Fig. 14

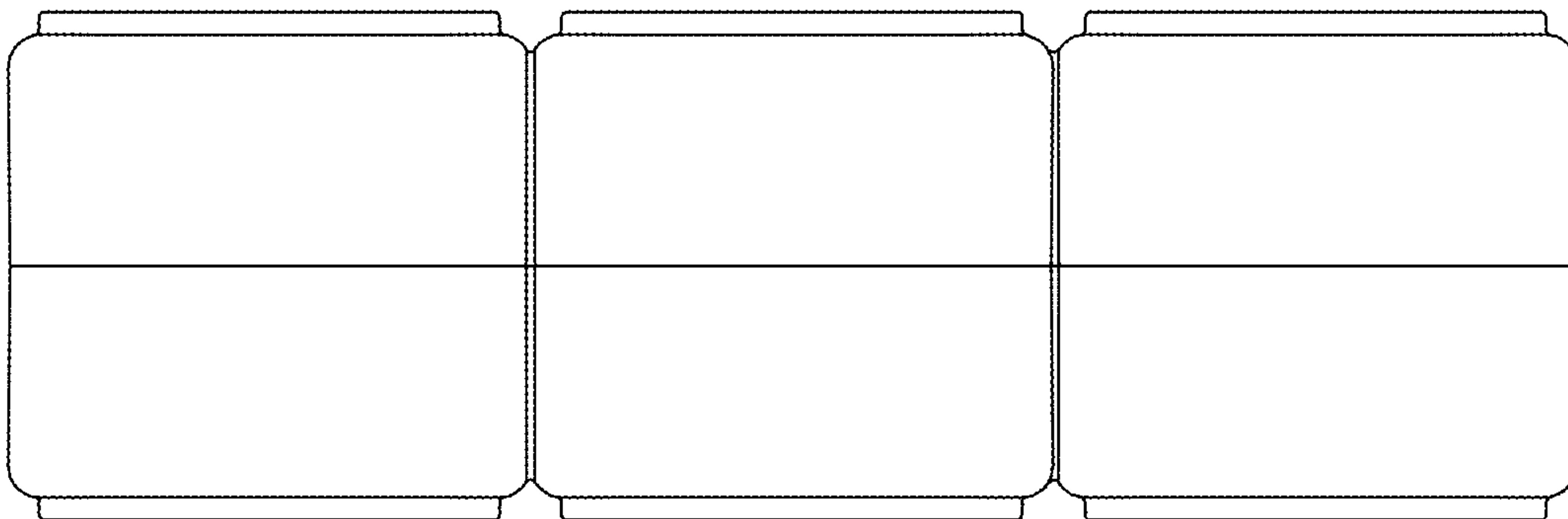


Fig. 13

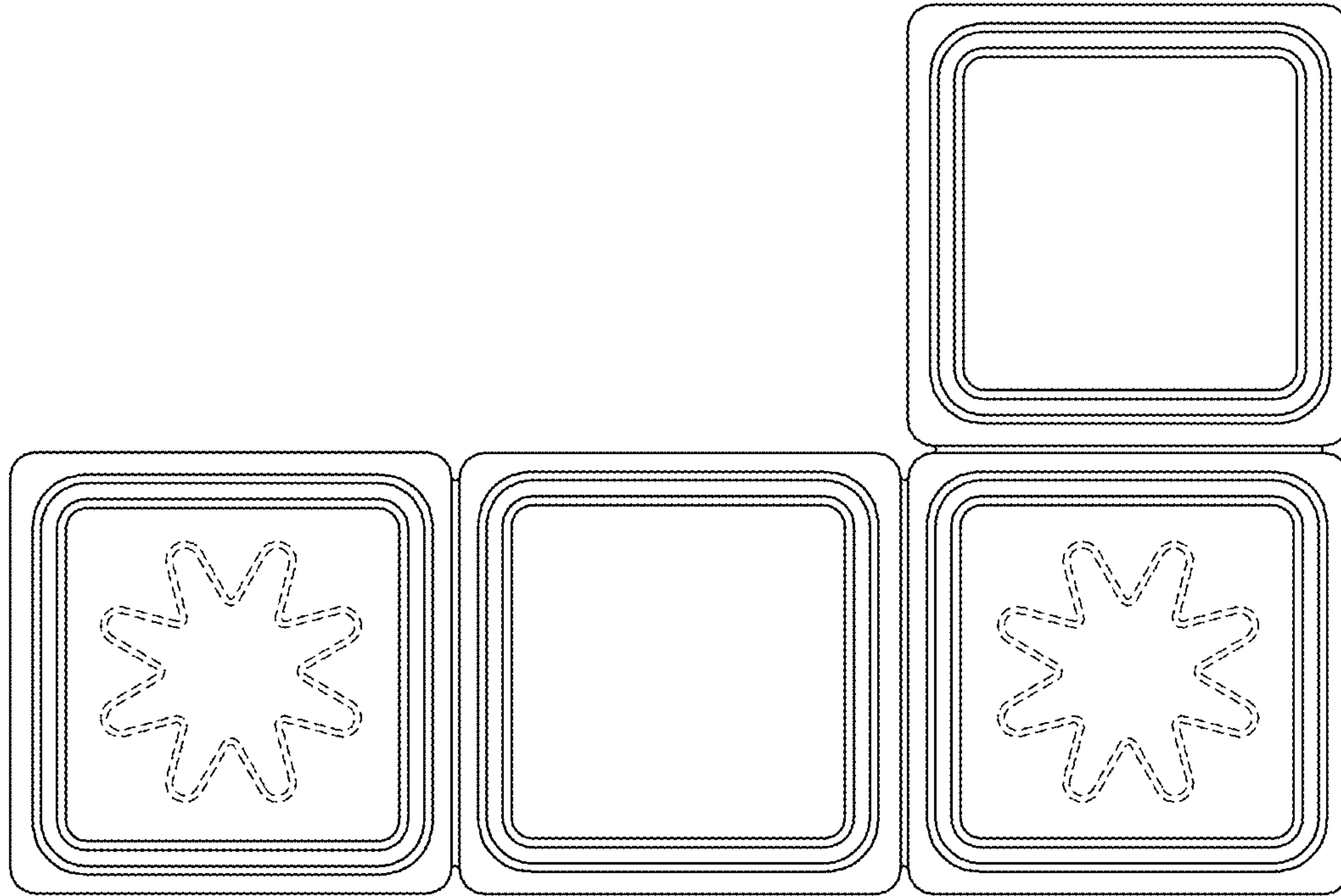


Fig. 16

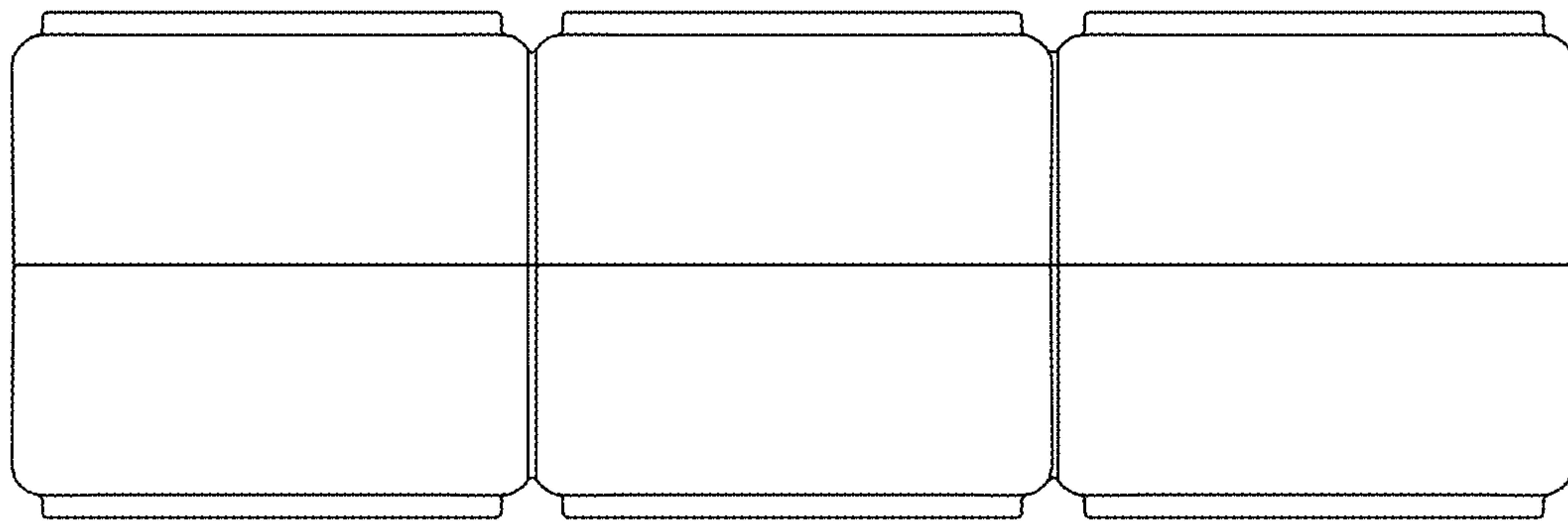


Fig. 15

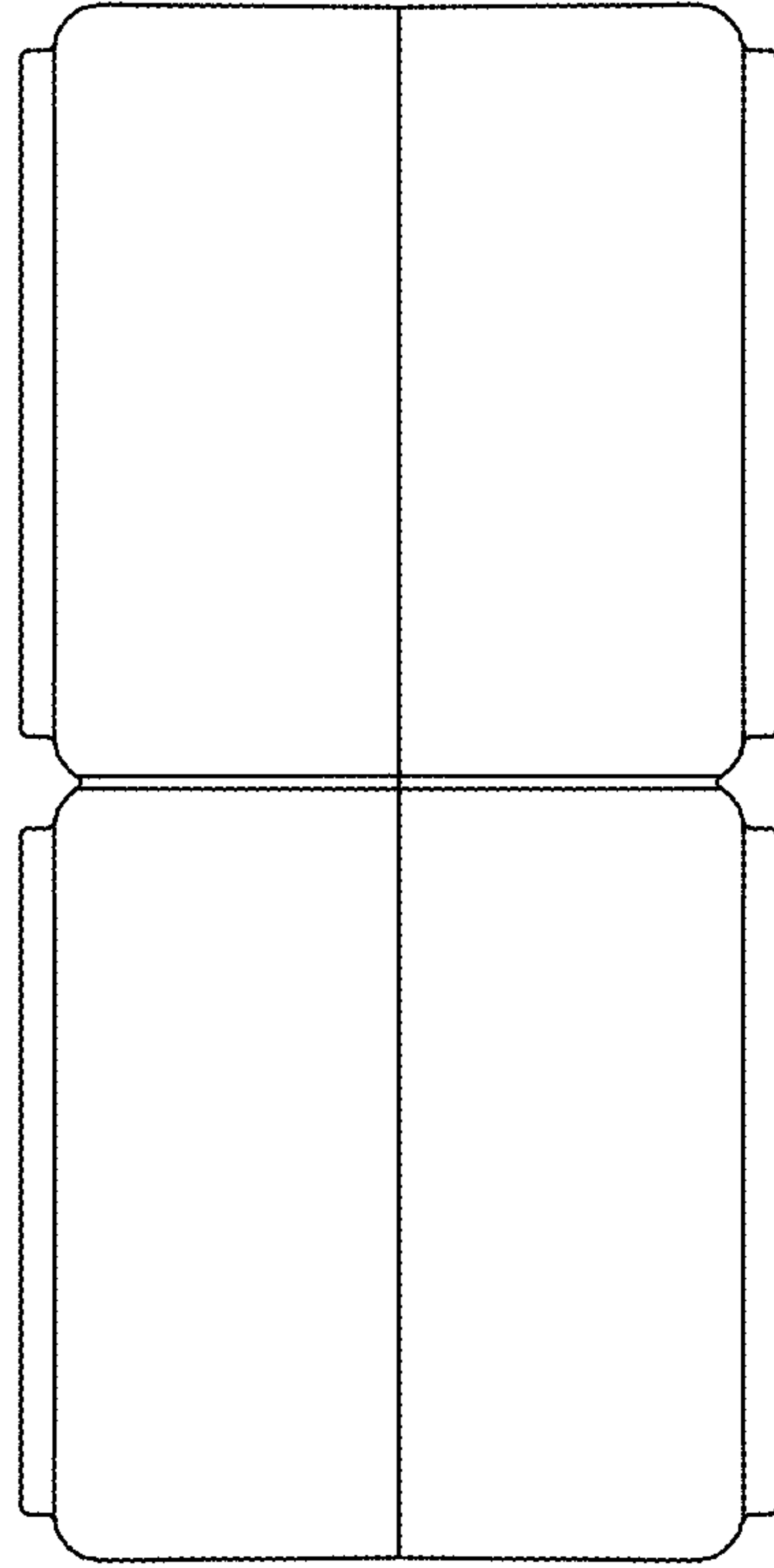


Fig. 17

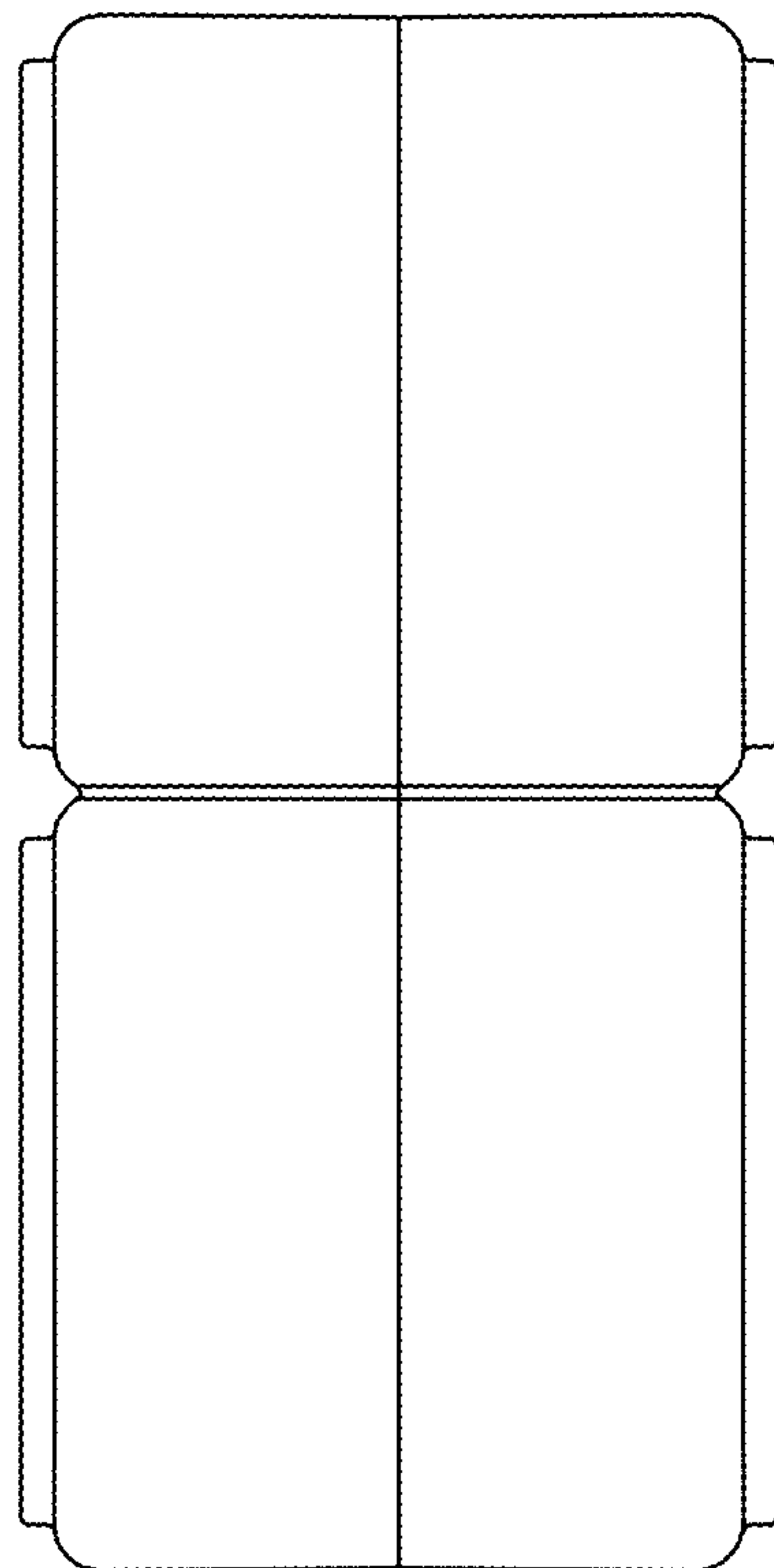


Fig. 18

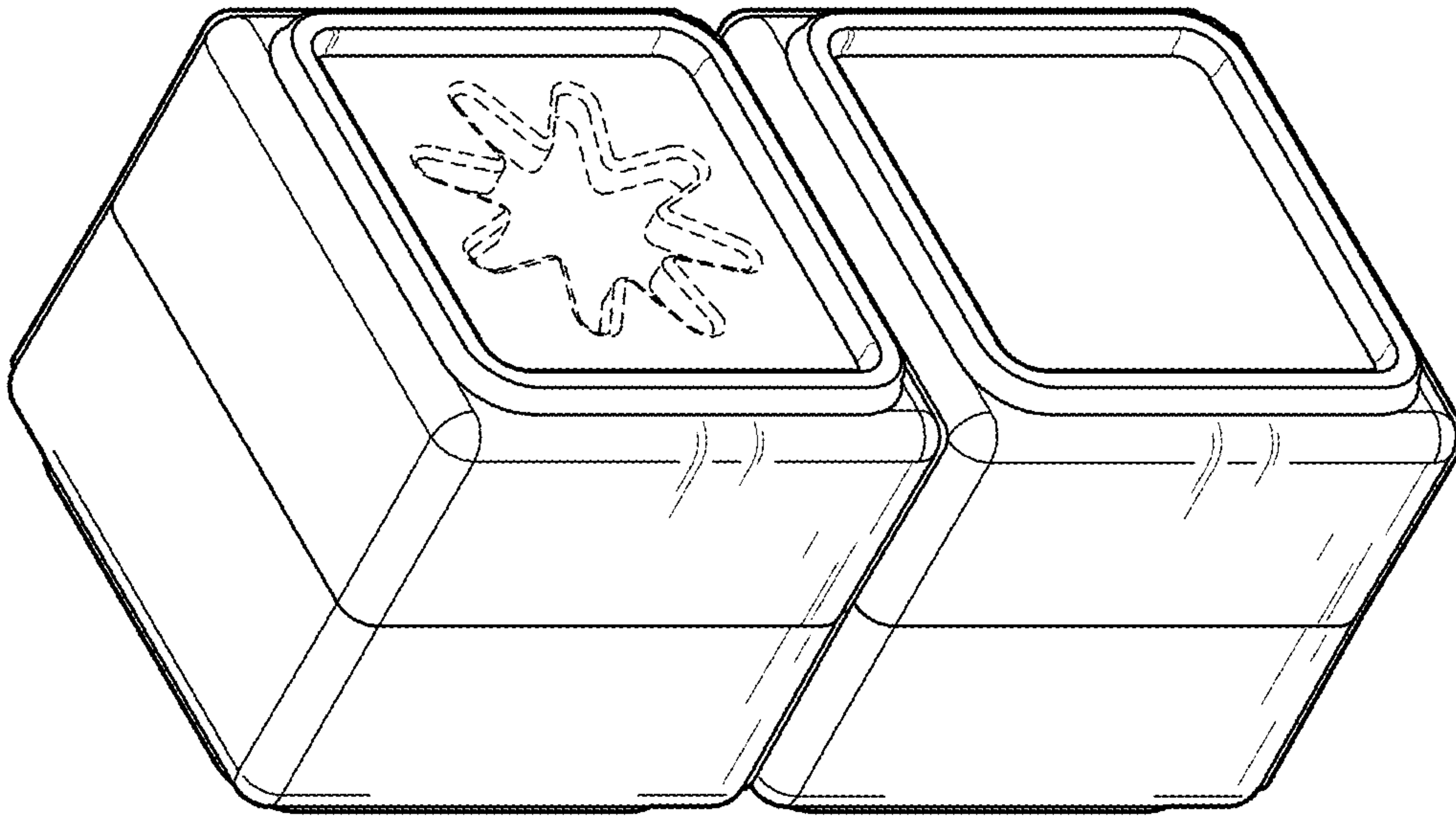


Fig. 20

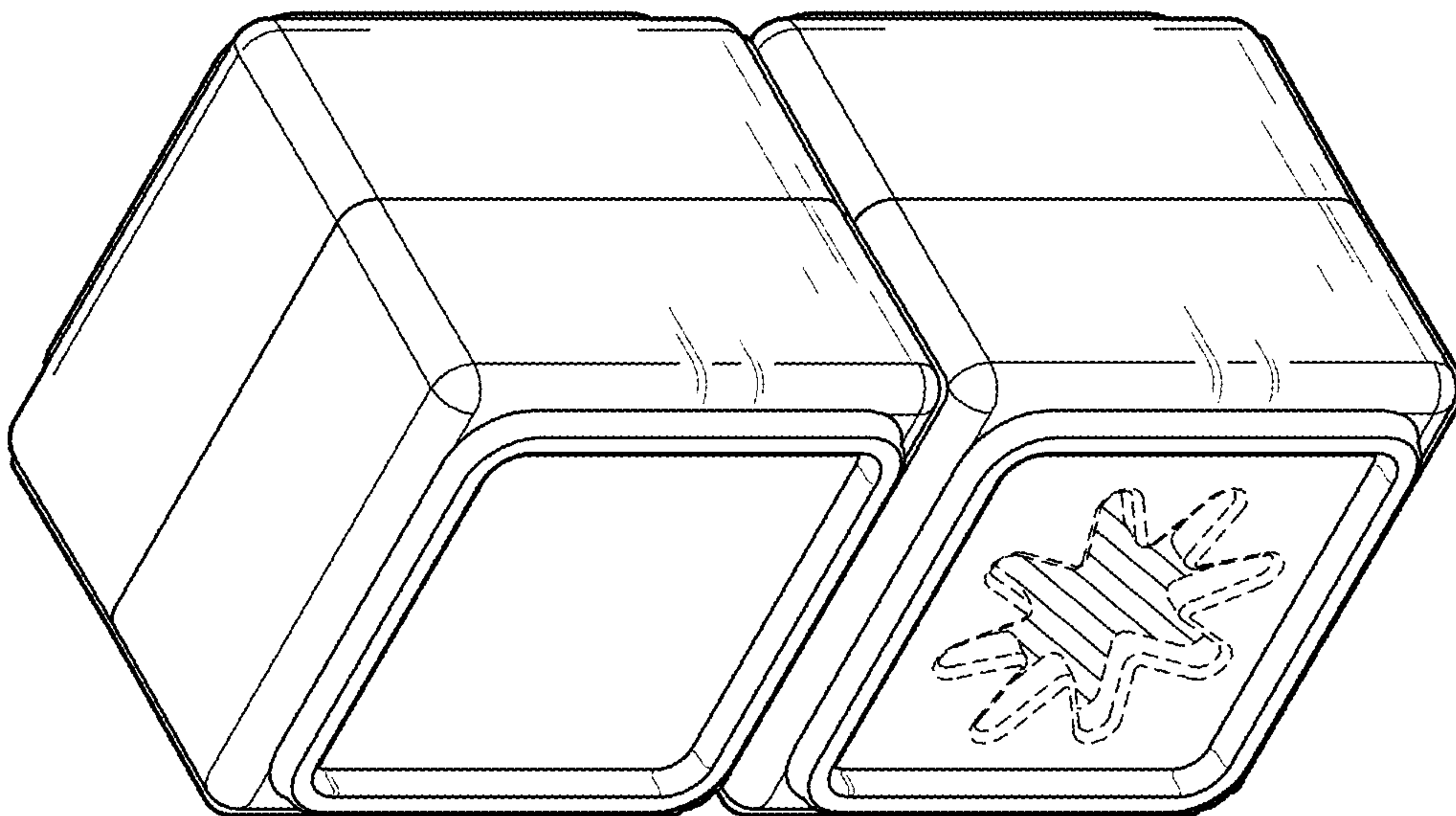


Fig. 19

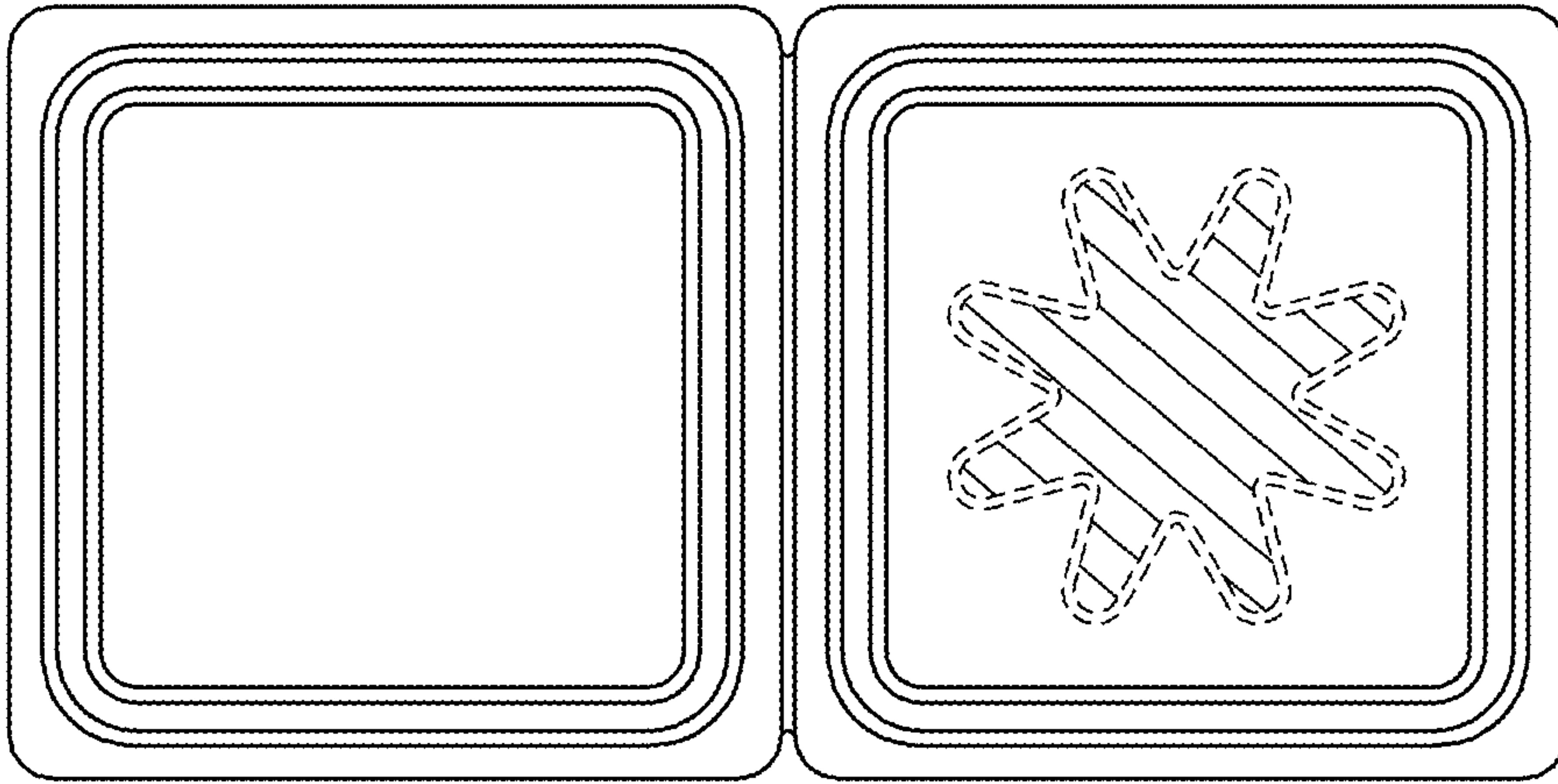


Fig. 22

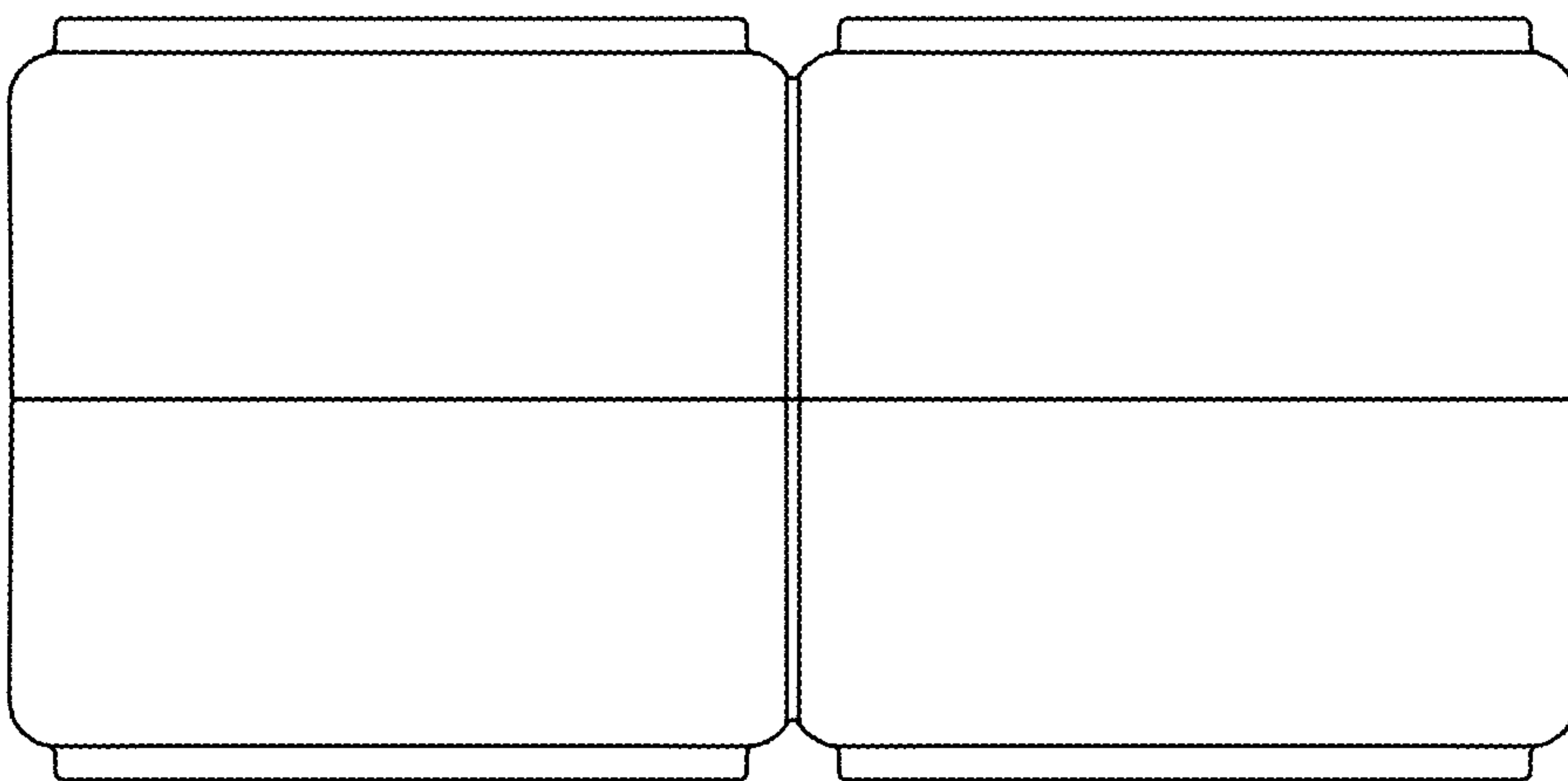


Fig. 21

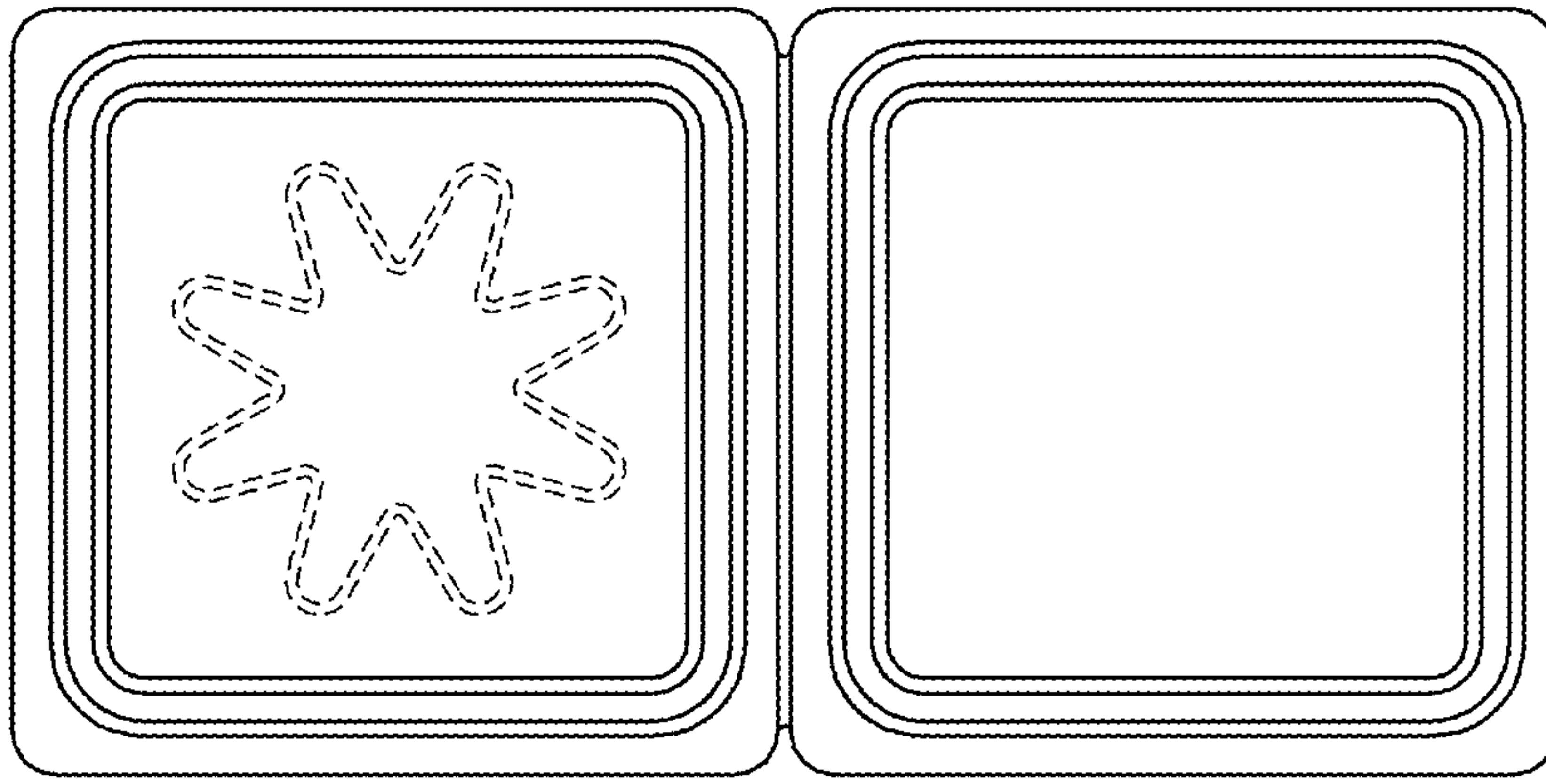


Fig. 24

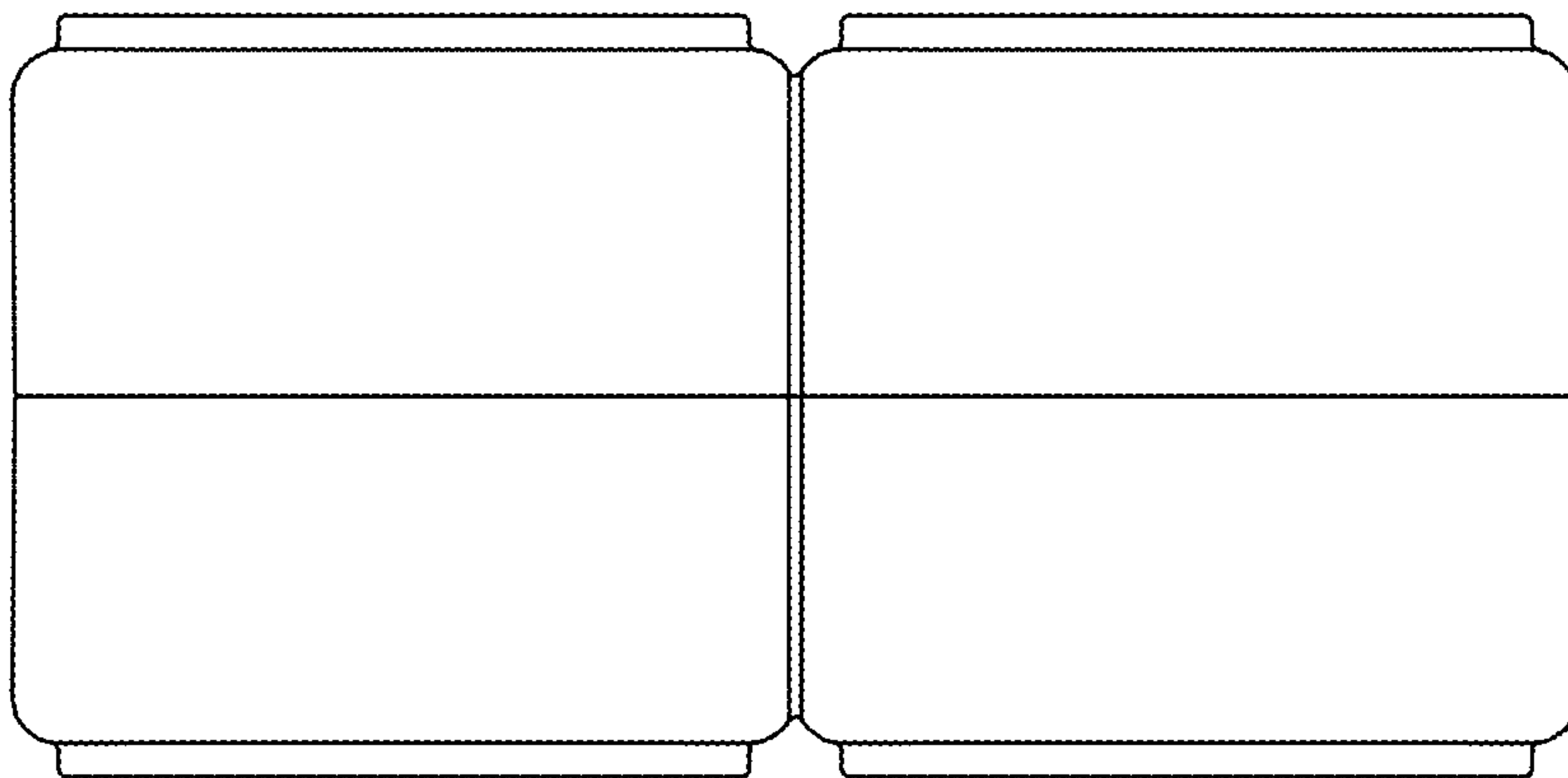


Fig. 23

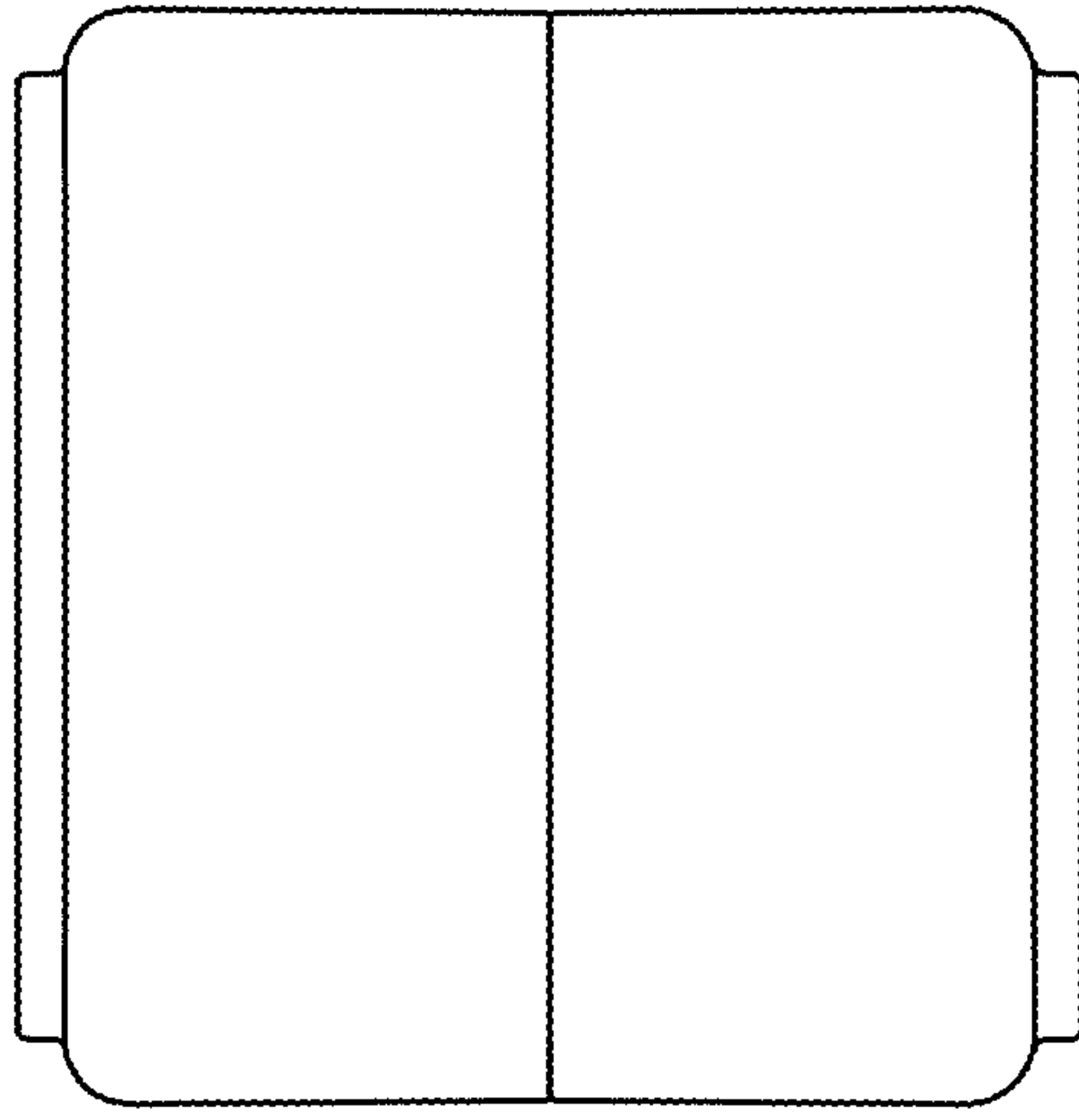


Fig. 25

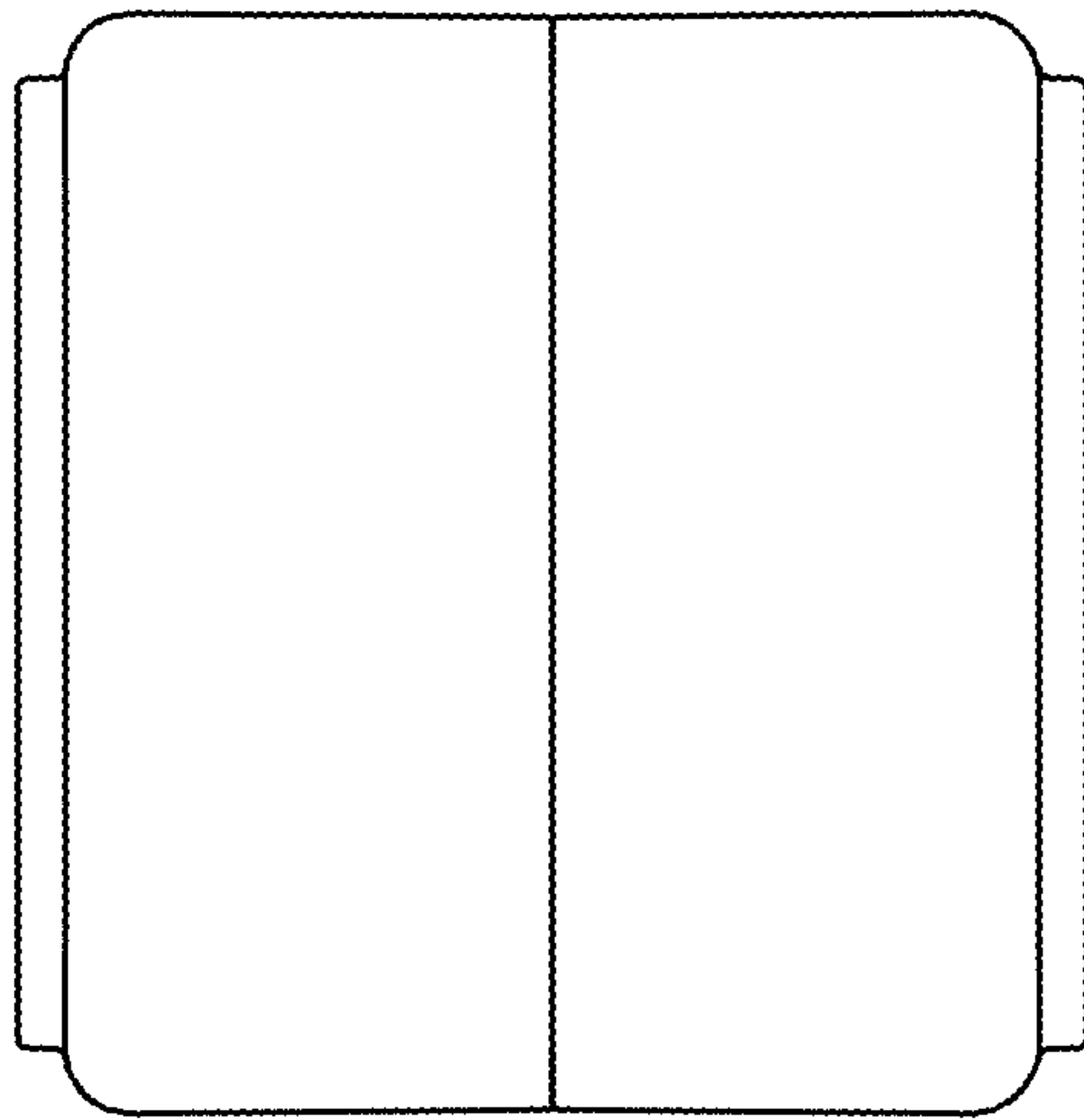


Fig. 26

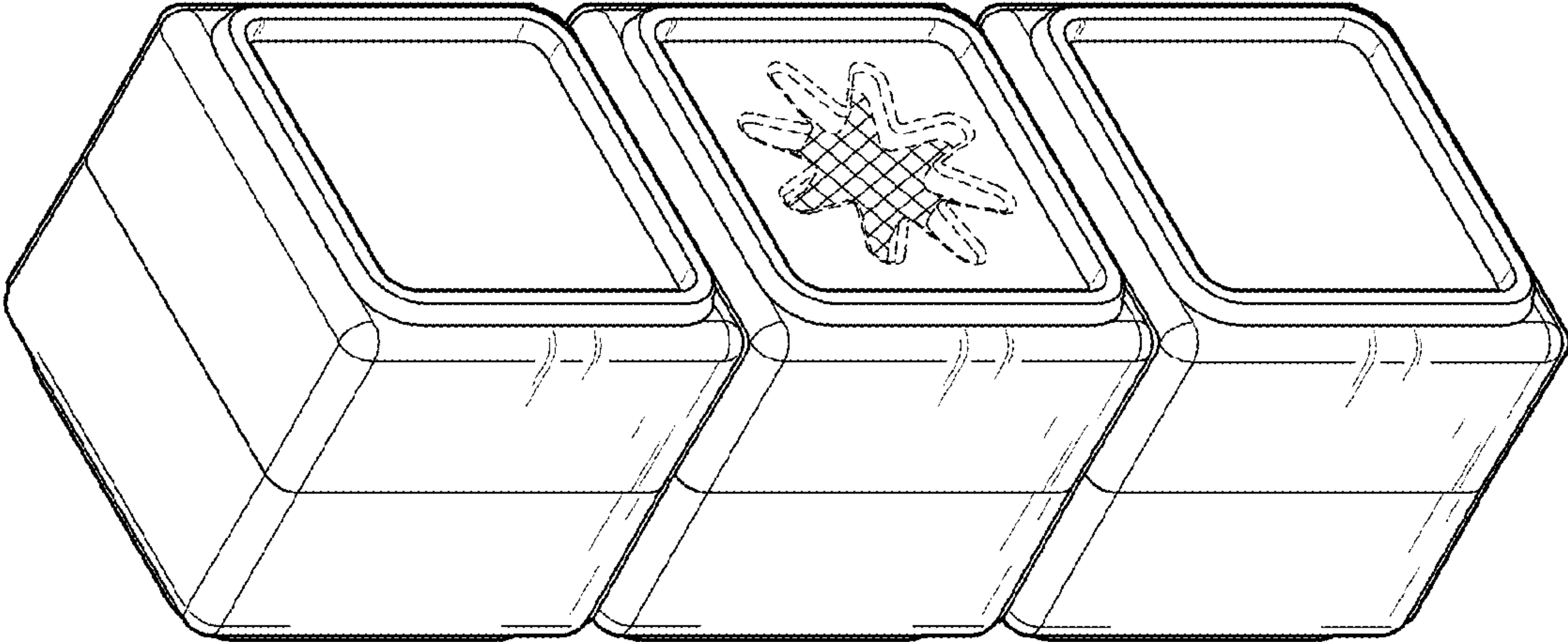


Fig. 28

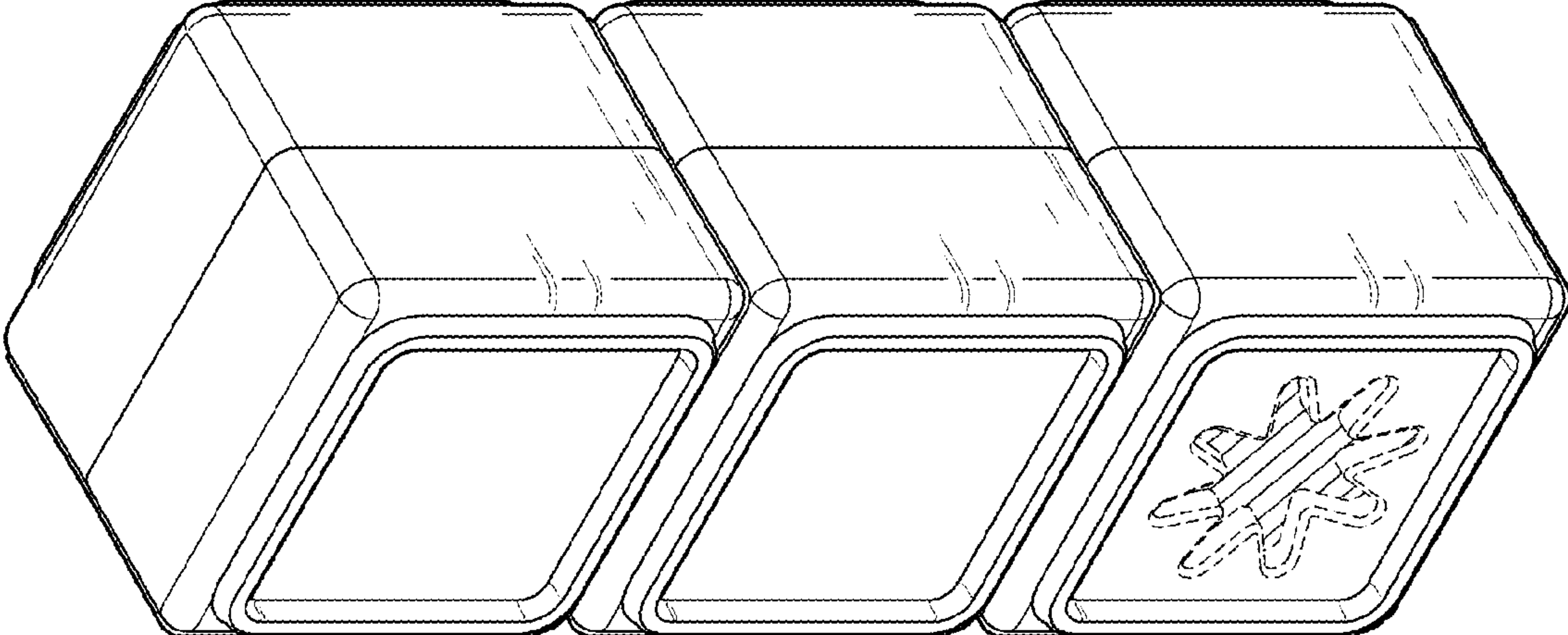


Fig. 27

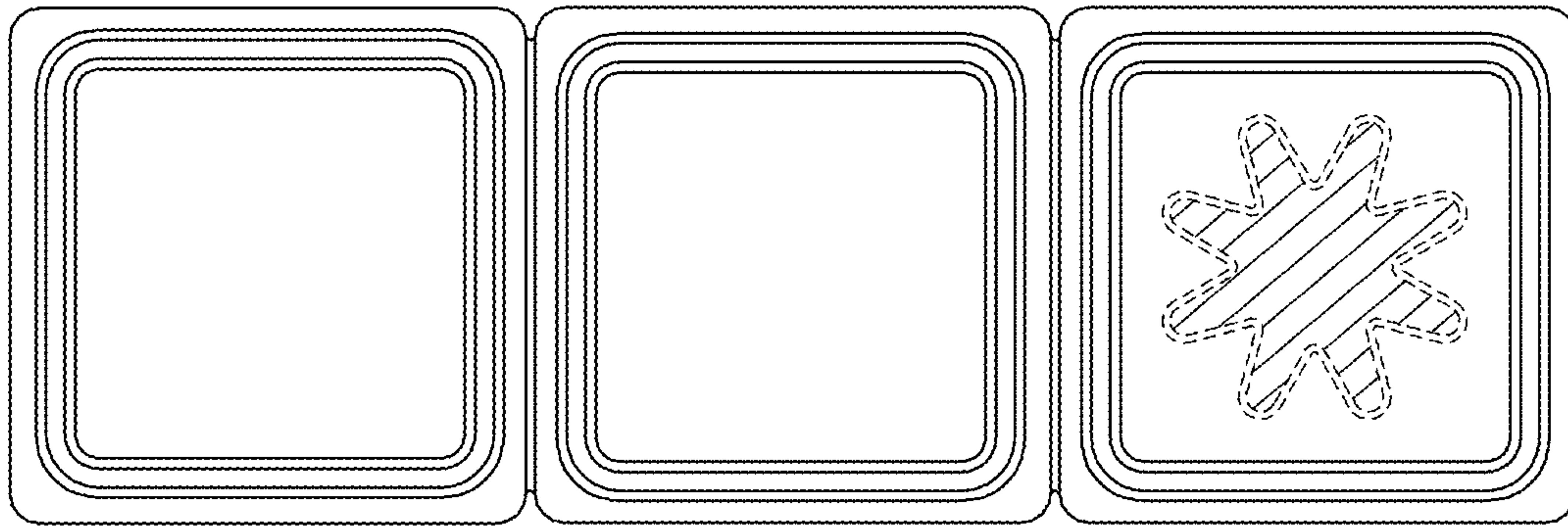


Fig. 30

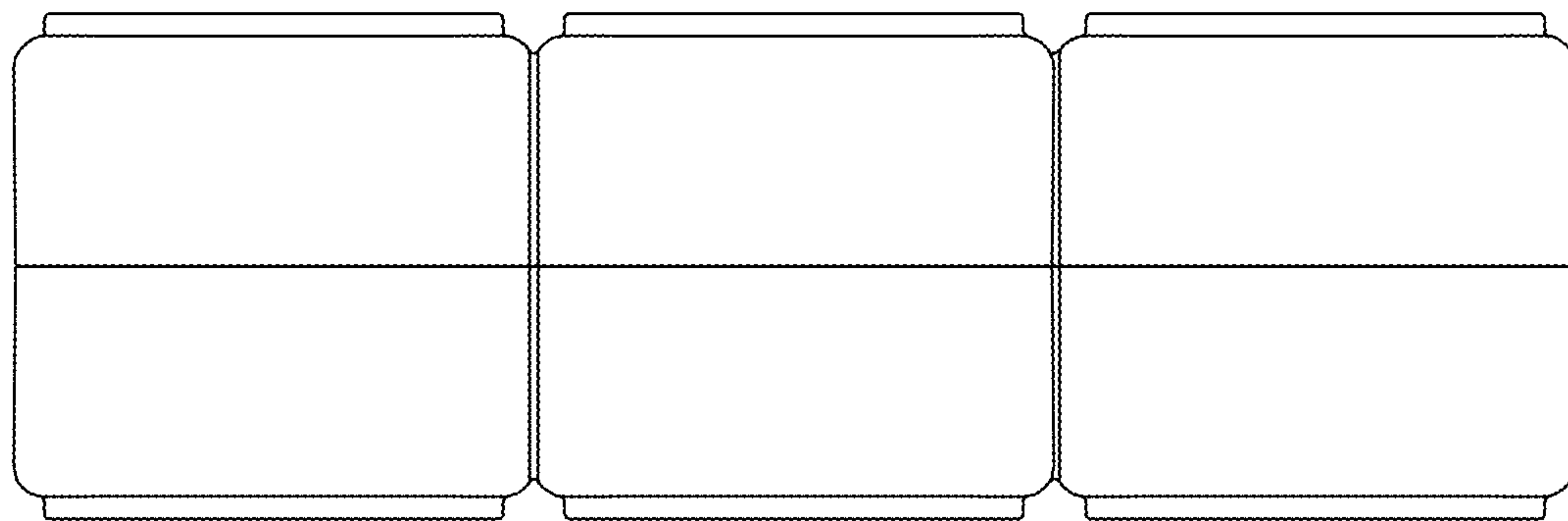


Fig. 29

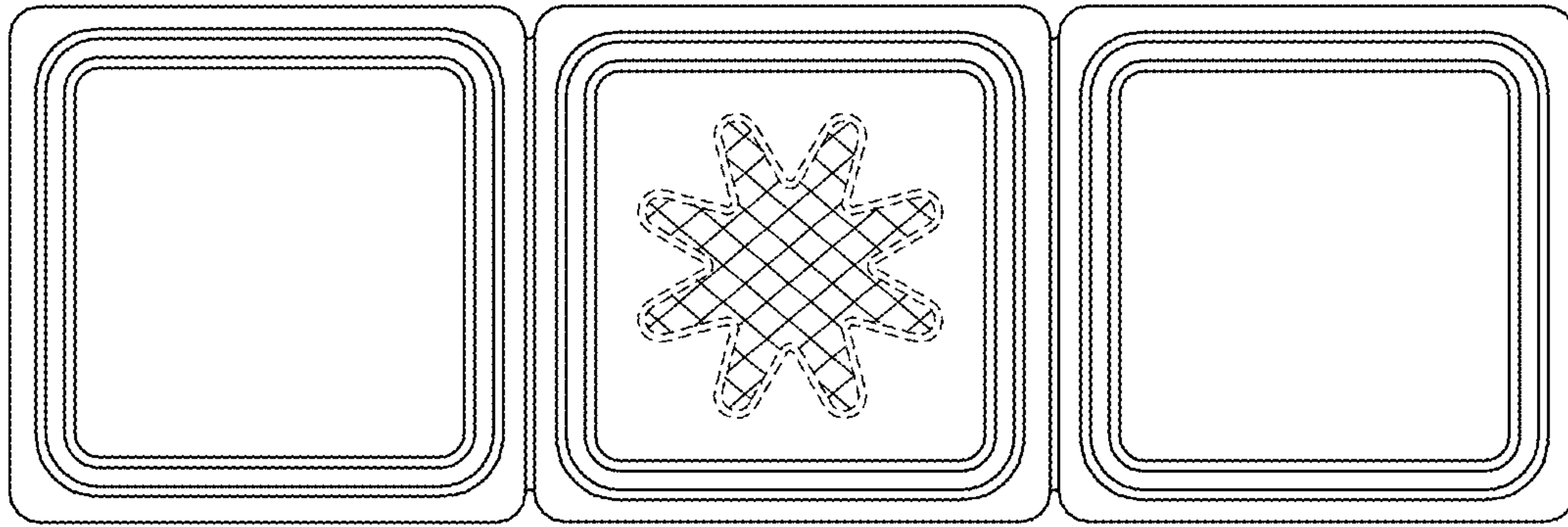


Fig. 32

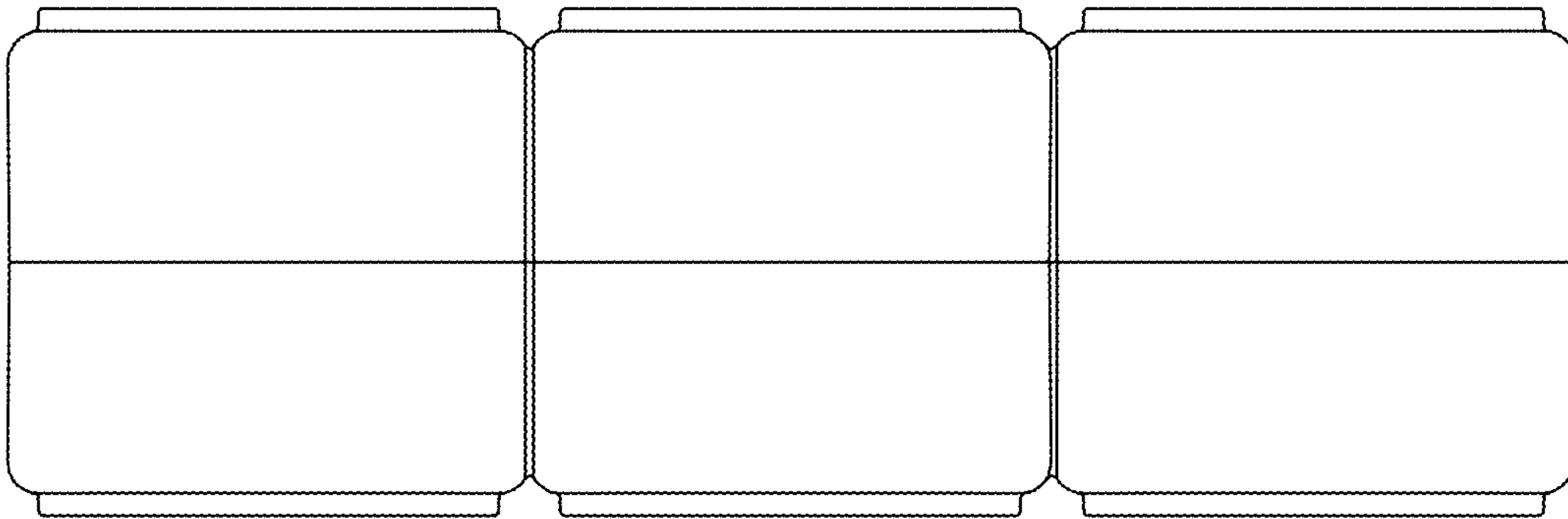


Fig. 31

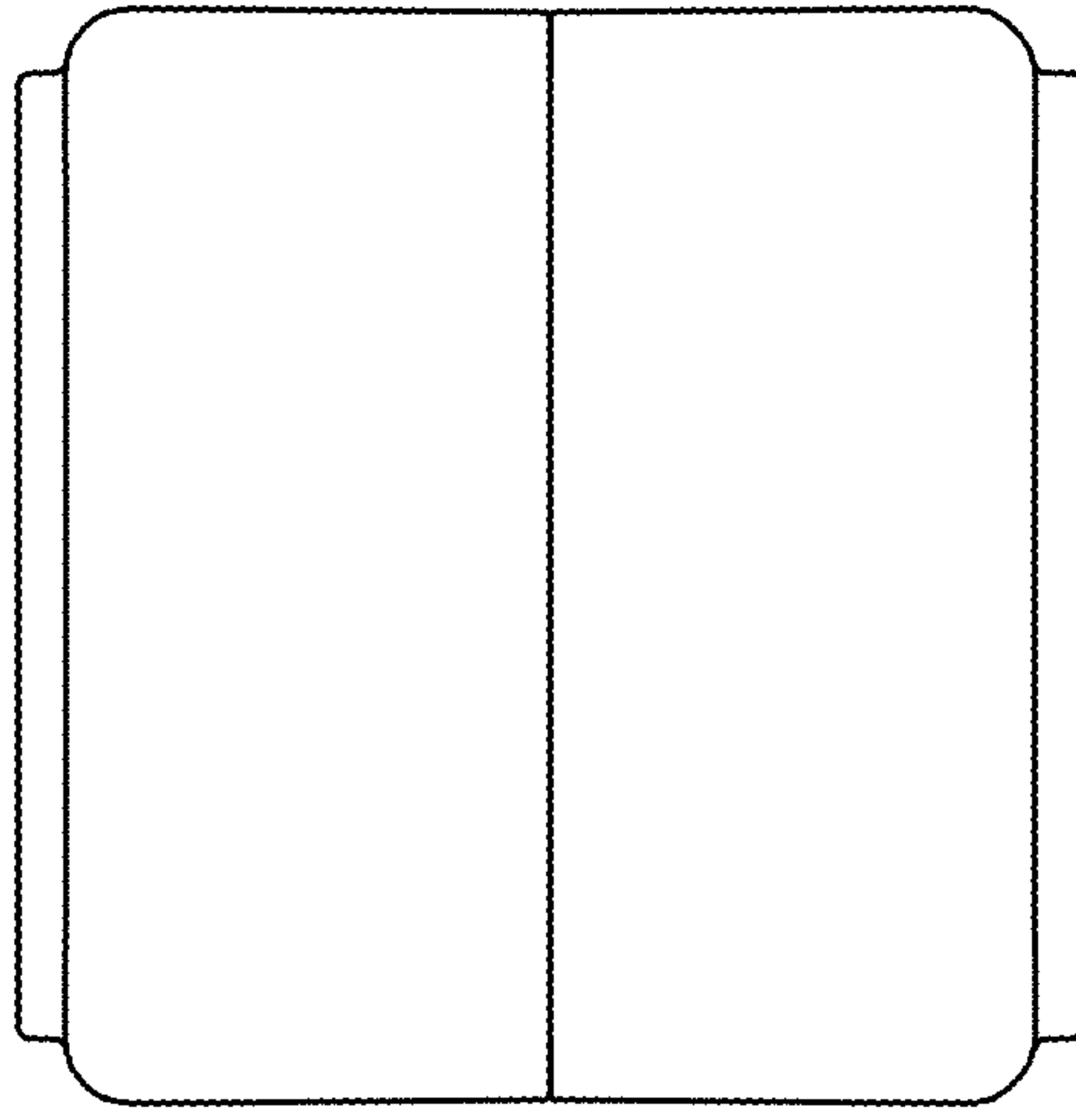


Fig. 34

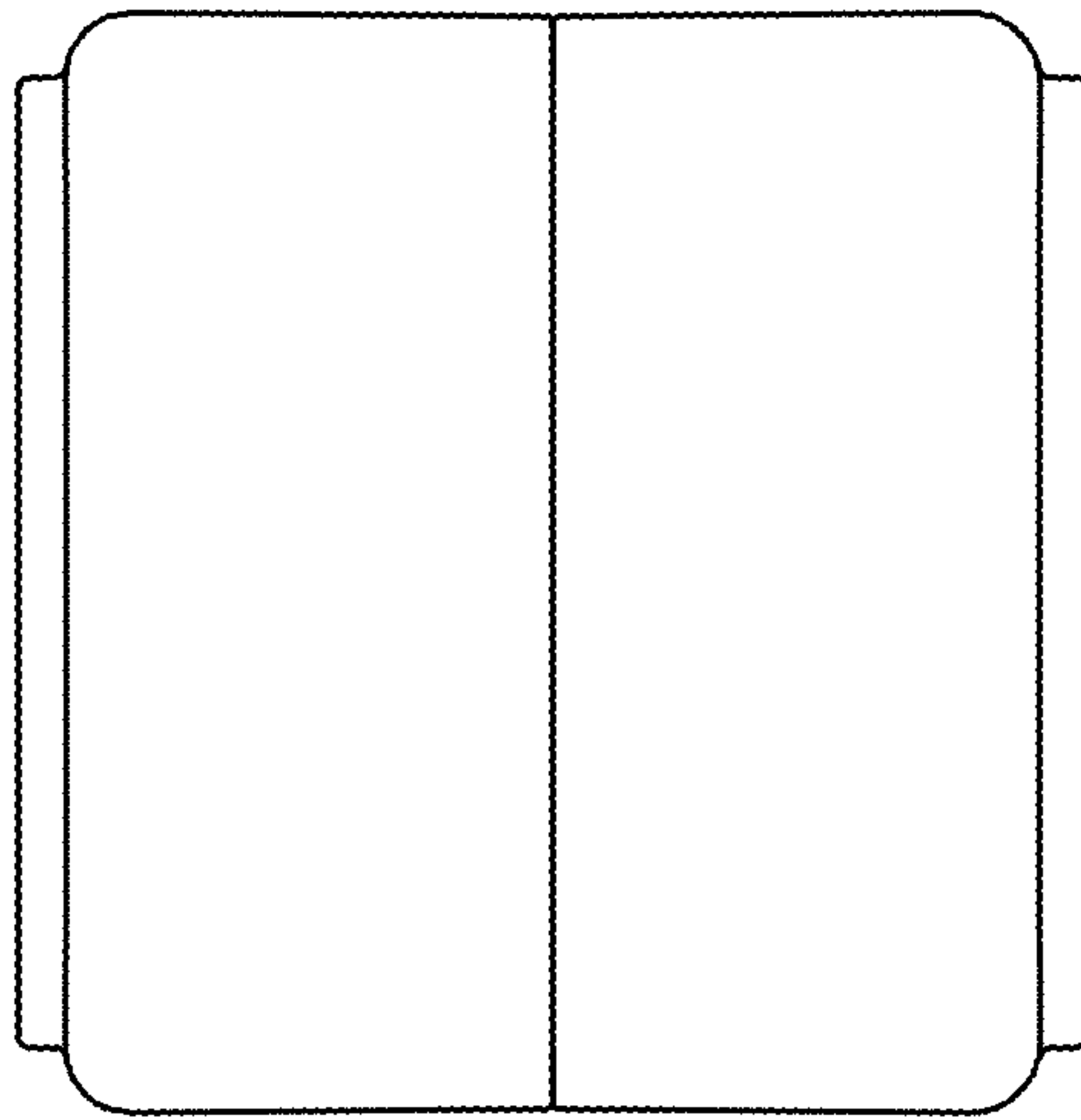


Fig. 33

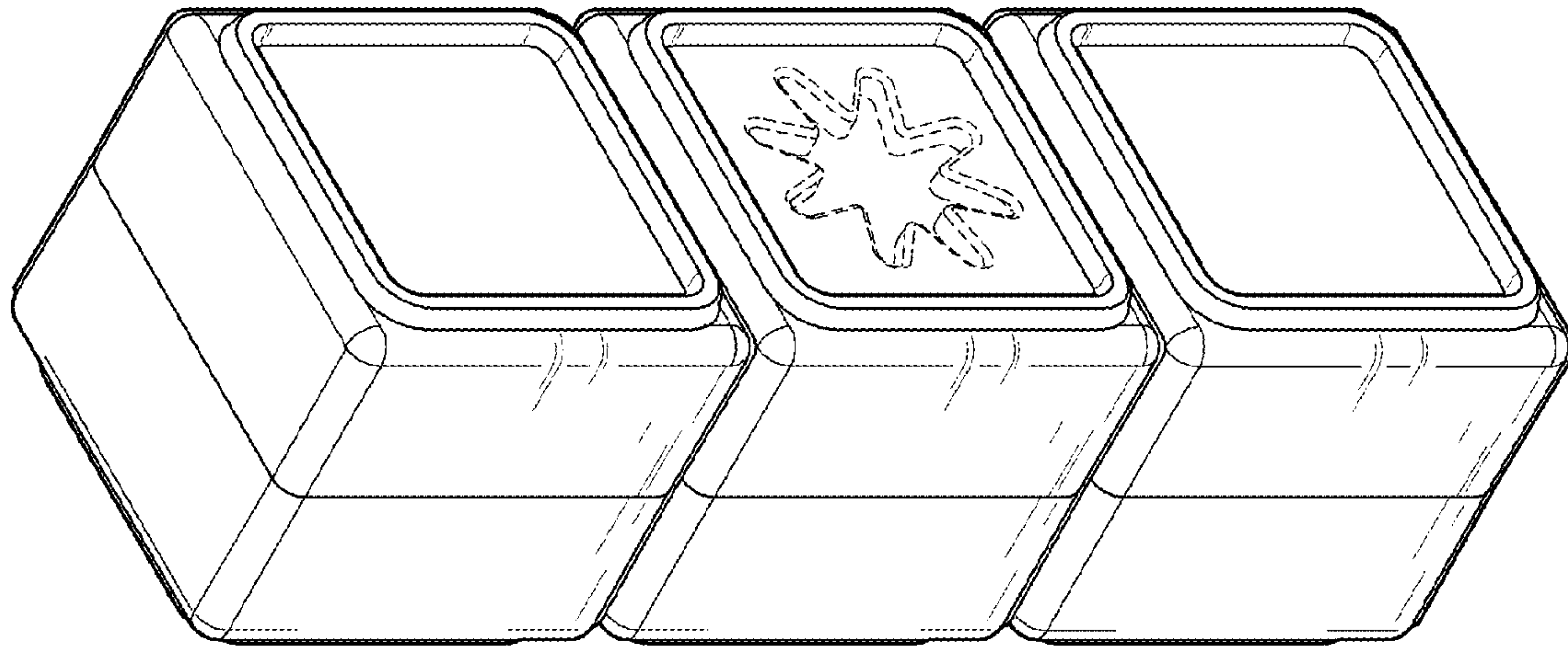


Fig. 36

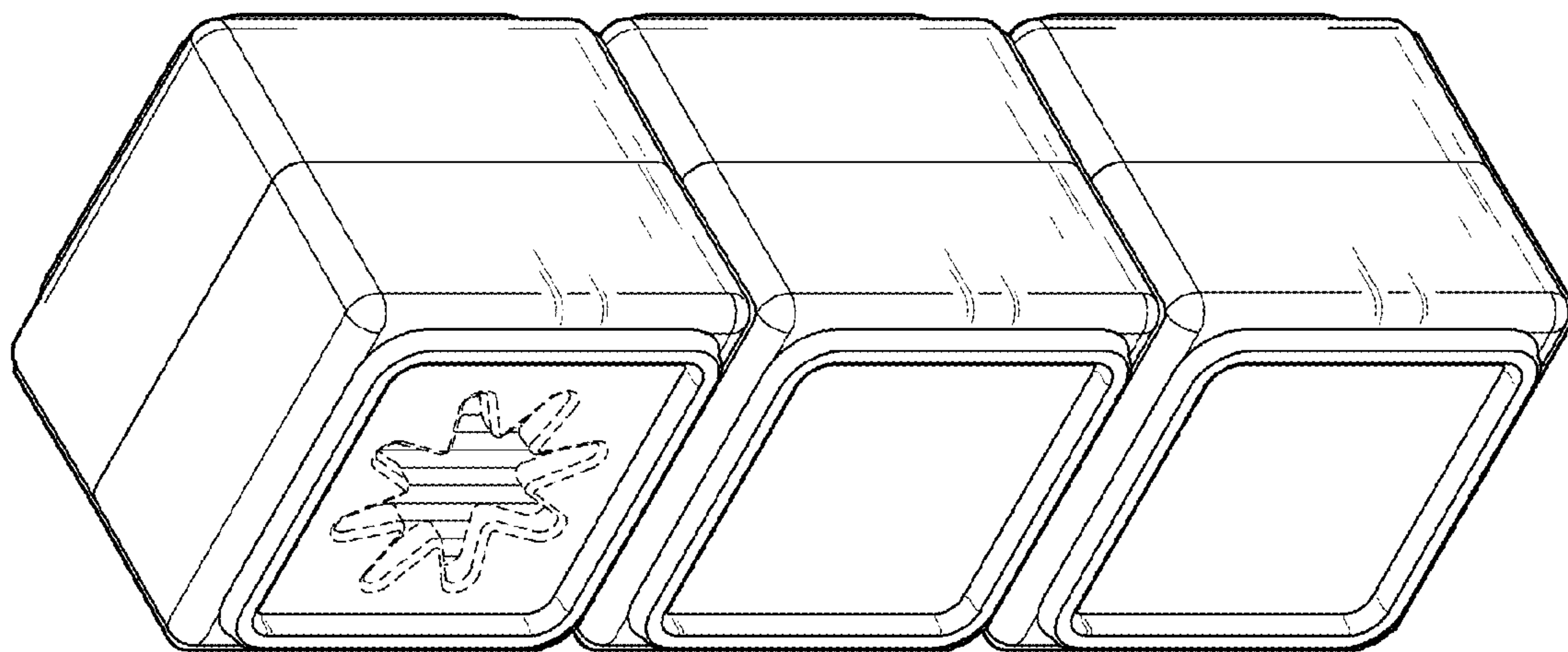


Fig. 35

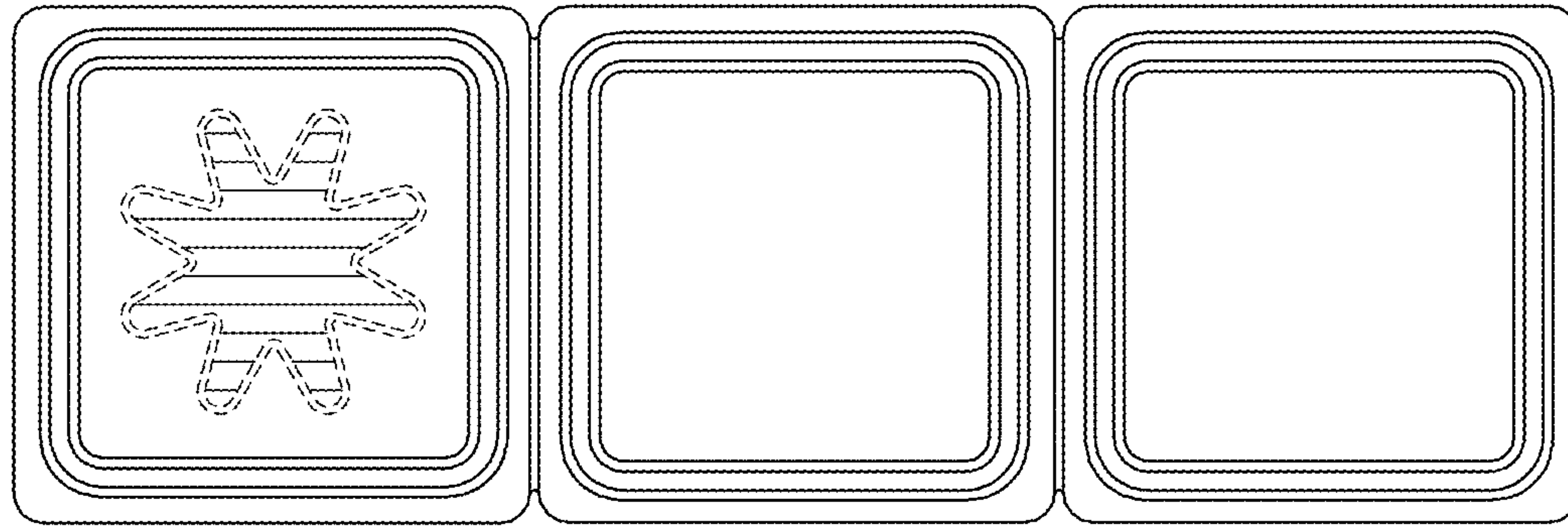


Fig. 38

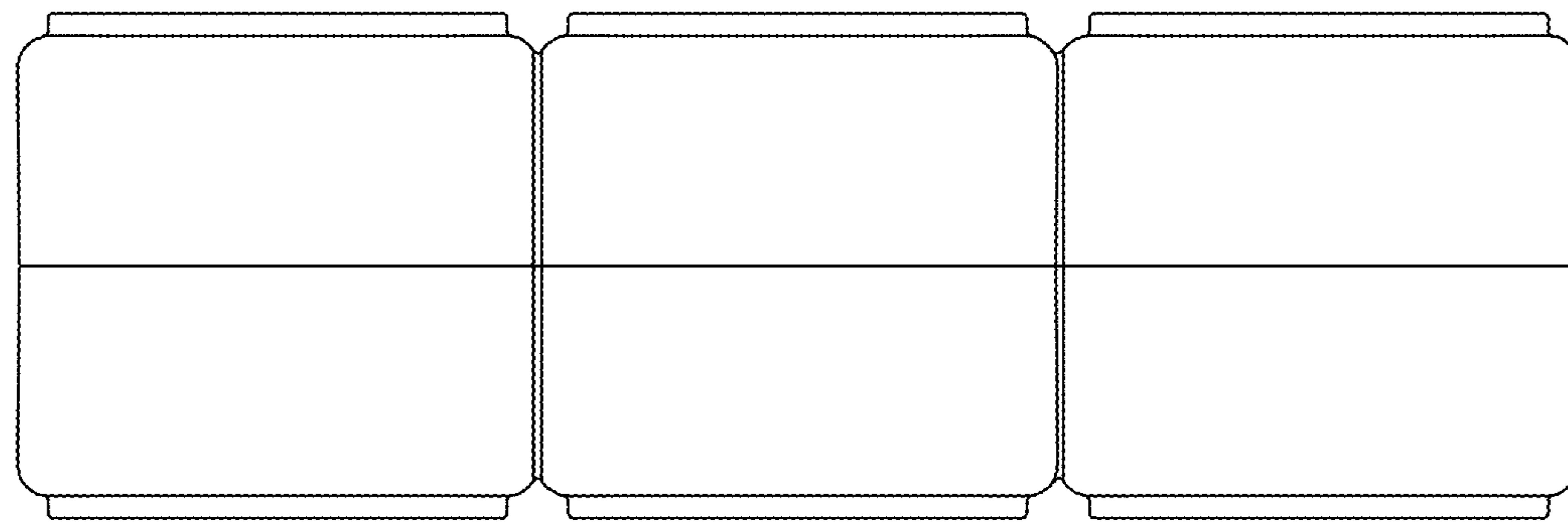


Fig. 37

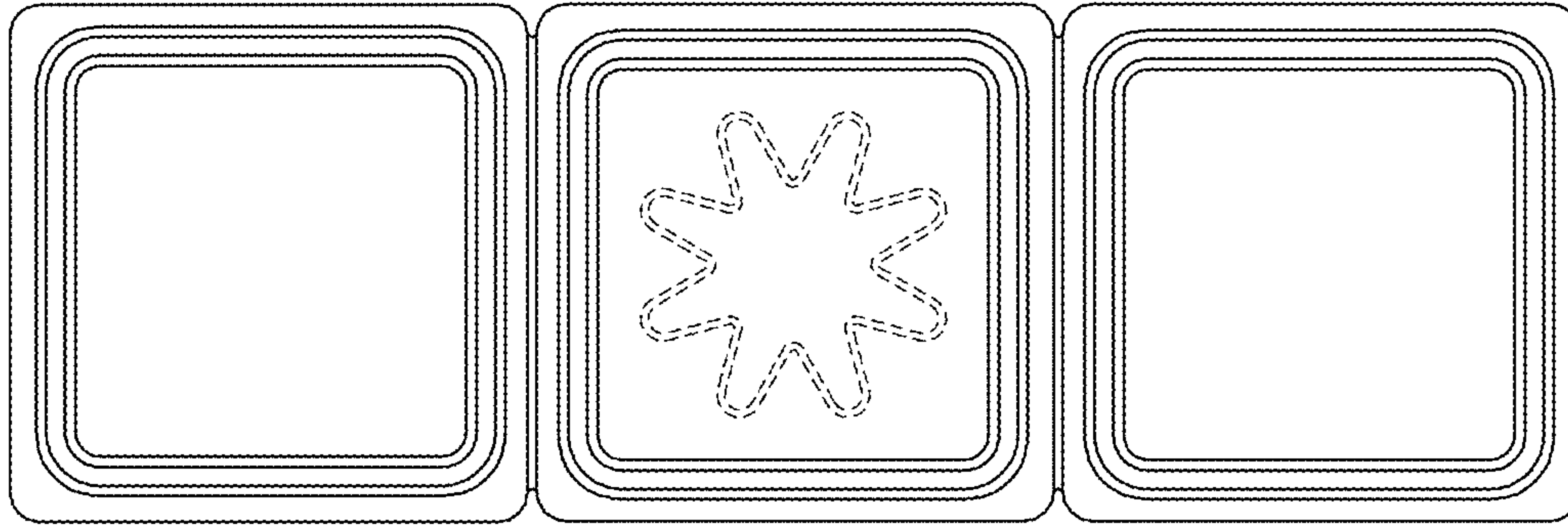


Fig. 40

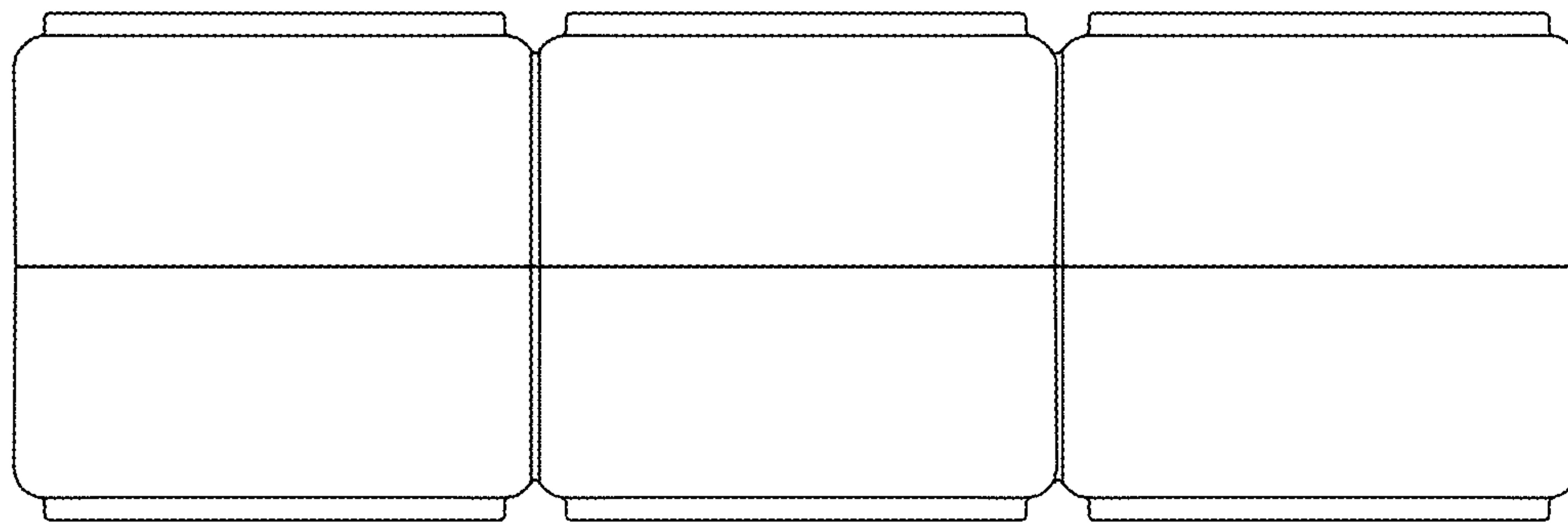


Fig. 39

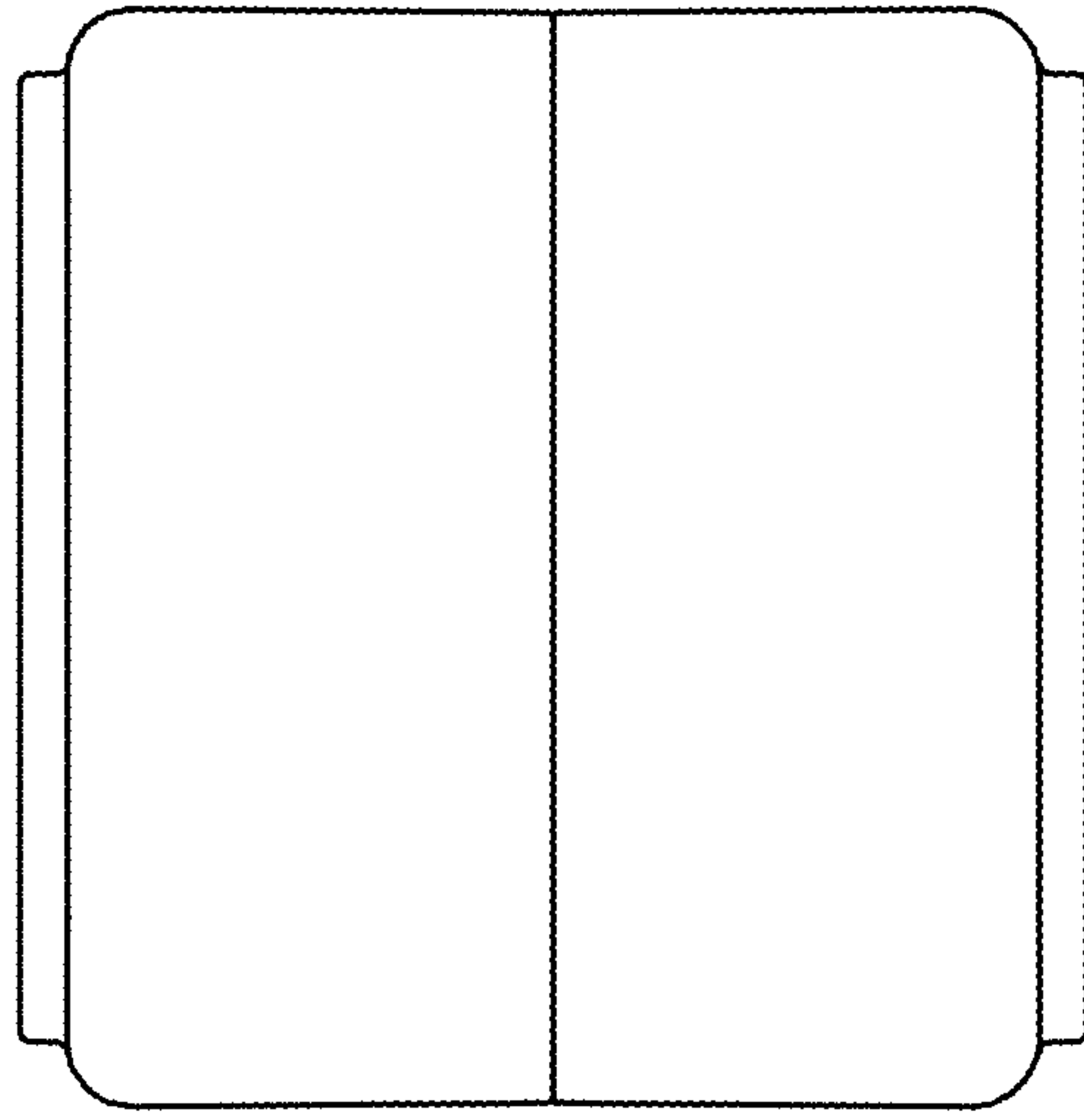


Fig. 42

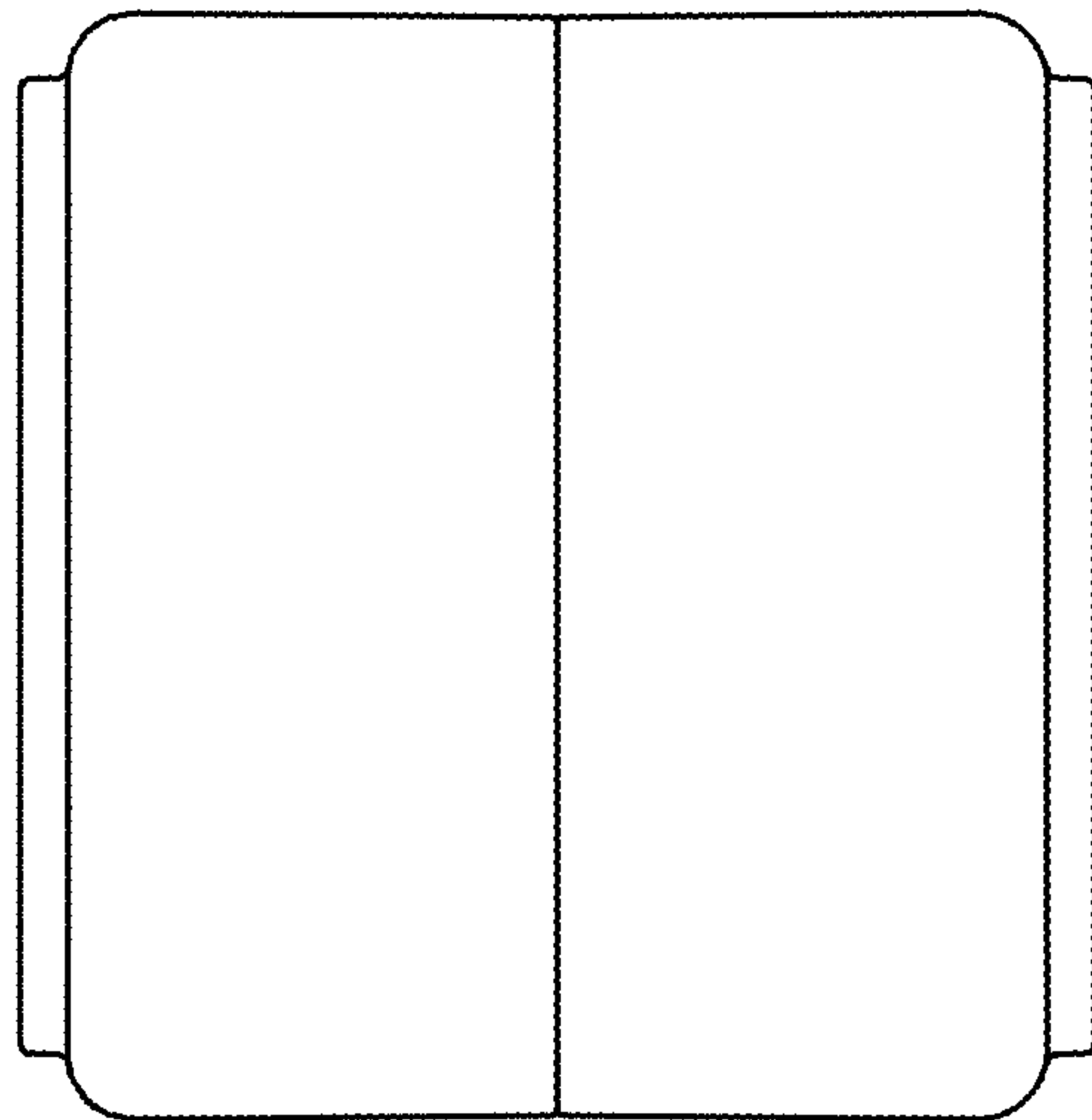


Fig. 41