



US00D963756S

(12) **United States Design Patent**  
**Zou**

(10) **Patent No.:** **US D963,756 S**  
(45) **Date of Patent:** **\*\* Sep. 13, 2022**

- (54) **TOY**
- (71) Applicant: **Pingfen Zou**, Yueyang (CN)
- (72) Inventor: **Pingfen Zou**, Yueyang (CN)
- (\*\*) Term: **15 Years**
- (21) Appl. No.: **29/830,331**
- (22) Filed: **Mar. 11, 2022**
- (51) **LOC (13) Cl.** ..... **21-01**
- (52) **U.S. Cl.**  
USPC ..... **D21/456**
- (58) **Field of Classification Search**  
USPC ..... D21/300, 302, 304, 308, 310, 339, 455,  
D21/457, 464, 456, 466, 482, 483, 699,  
D21/701, 715, 721, 722, 723, 729, 736;  
D30/160; 446/170, 266, 444  
CPC ..... A63B 2208/12; A63B 2243/0037; A63B  
71/0669; A63B 2220/17; A63F 7/36221  
See application file for complete search history.

- 2,485,064 A \* 10/1949 Paclan ..... A63B 67/08  
D21/456
- D187,101 S \* 1/1960 Otis ..... D21/456
- 4,087,090 A \* 5/1978 Goldberg ..... A63F 7/02  
273/412
- D306,058 S \* 2/1990 Blake ..... D21/721
- D371,588 S \* 7/1996 Myers ..... D21/456
- D457,198 S \* 5/2002 Yamazaki ..... D21/456
- 6,540,579 B1 \* 4/2003 Gubitosi ..... A63H 33/00  
297/118
- D492,736 S \* 7/2004 Kato ..... D21/456
- D538,346 S 3/2007 Harvey
- 7,641,199 B1 \* 1/2010 Clarke ..... A63B 67/10  
273/330
- D872,799 S 1/2020 Royace
- D892,228 S \* 8/2020 Waxkirsh ..... D21/309
- D928,888 S \* 8/2021 Muenzer ..... D21/456
- D939,028 S \* 12/2021 Fouts ..... D21/456
- 2017/0035024 A1 \* 2/2017 Parness ..... A01K 15/025

\* cited by examiner

*Primary Examiner* — Mehri F Bajoul  
(74) *Attorney, Agent, or Firm* — Jeenam Park

(56) **References Cited**

U.S. PATENT DOCUMENTS

- 625,680 A \* 5/1899 Jack ..... A63F 7/3622  
D21/456
- 973,935 A \* 10/1910 George ..... A63B 59/20  
473/505
- 1,154,346 A \* 9/1915 Speyer ..... A63F 7/044  
D21/456
- 1,203,526 A \* 10/1916 Gaines ..... A63F 7/3622  
D21/310
- 1,339,846 A \* 5/1920 Downey ..... A63F 9/0204  
273/389
- 2,198,075 A \* 4/1940 Borek ..... A63B 67/08  
D21/456
- 2,466,116 A \* 4/1949 Marong ..... A63B 67/08  
D21/456

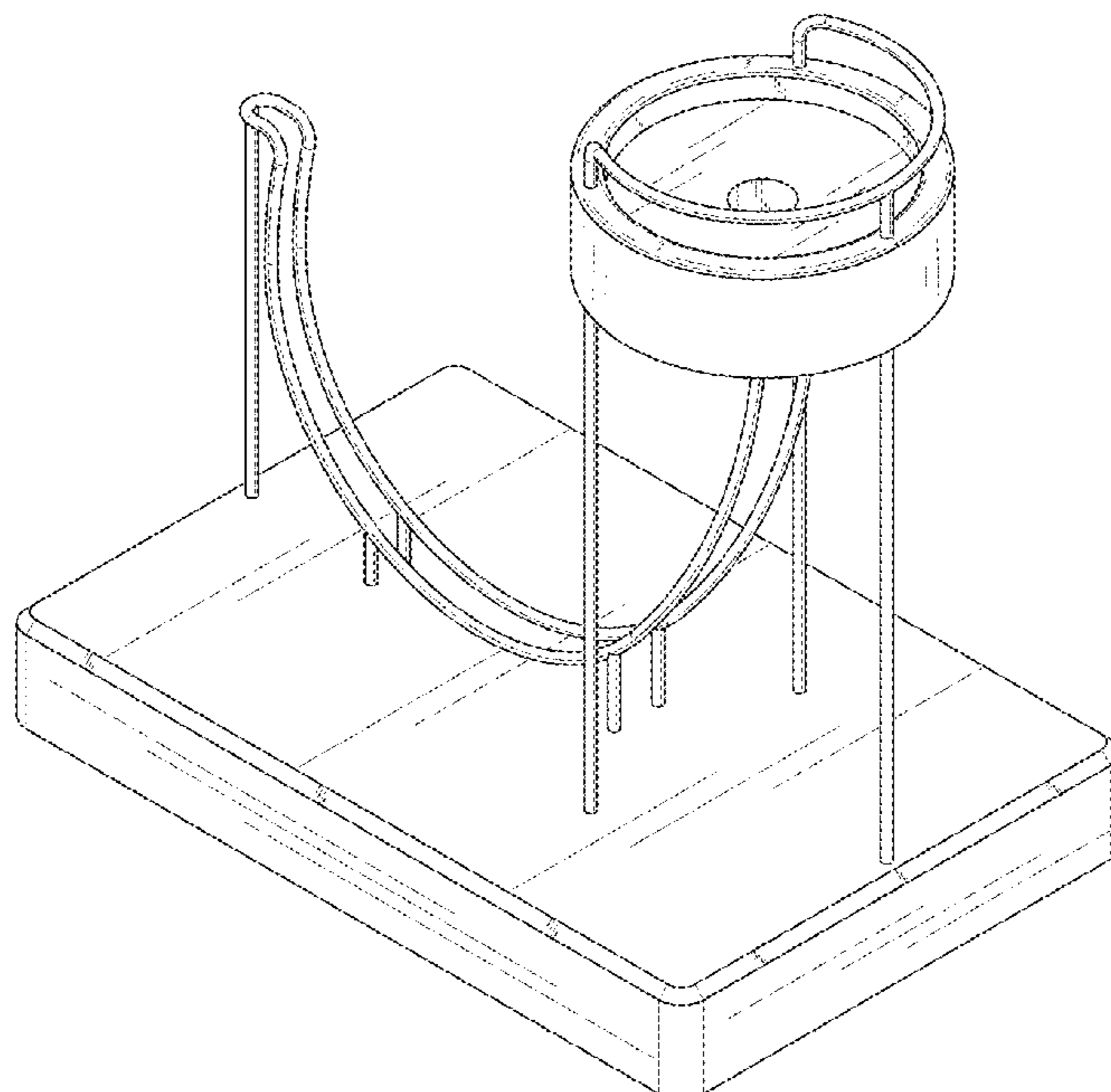
(57) **CLAIM**

The ornamental design for a toy, as shown and described.

**DESCRIPTION**

FIG. 1 is a perspective view of a toy, showing my new design;  
FIG. 2 is another perspective view thereof;  
FIG. 3 is a front view thereof;  
FIG. 4 is a rear view thereof;  
FIG. 5 is a left side view thereof;  
FIG. 6 is a right side view thereof;  
FIG. 7 is a top plan view thereof; and,  
FIG. 8 is a bottom plan view thereof.

**1 Claim, 8 Drawing Sheets**



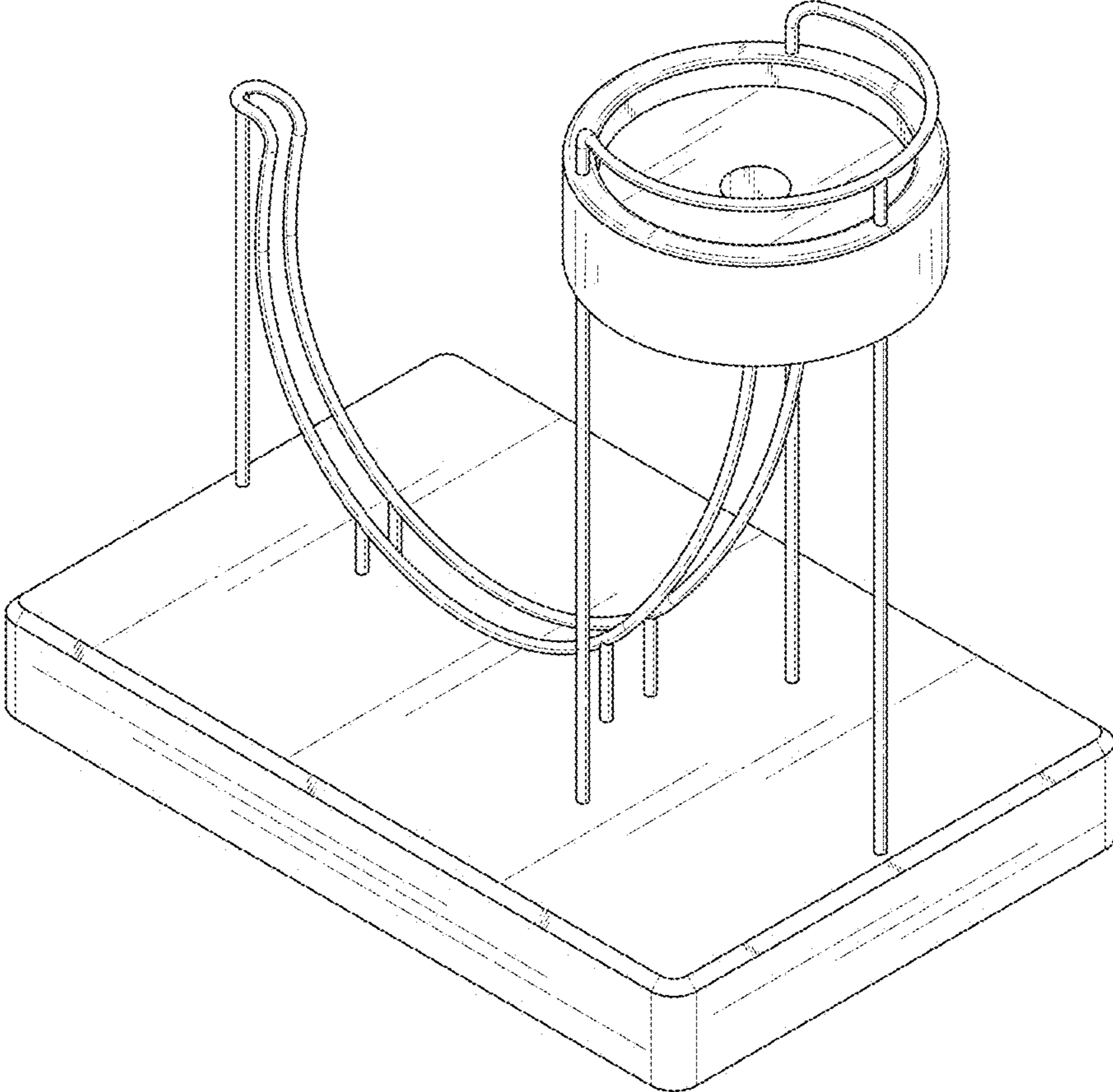


FIG. 1

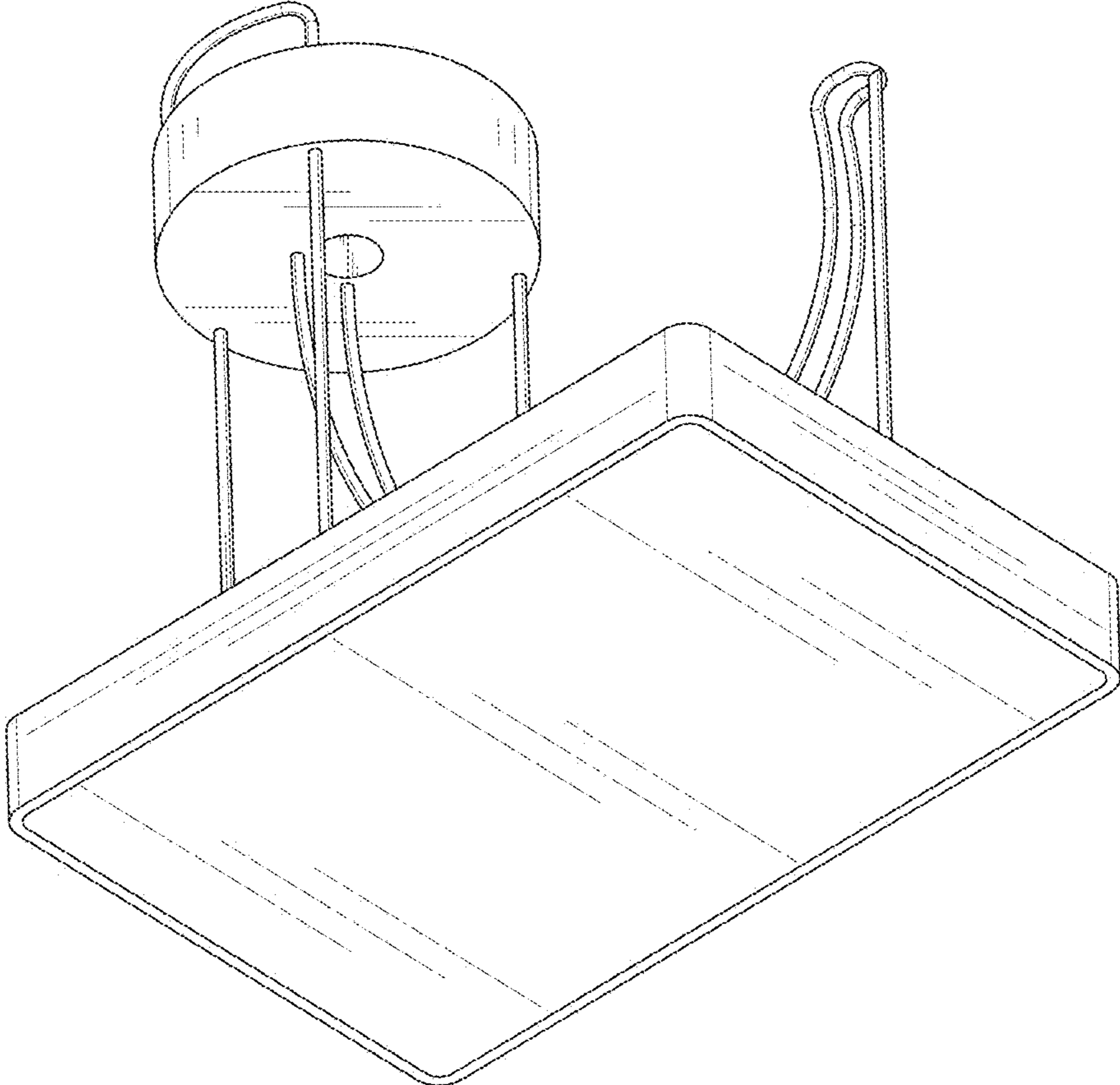


FIG. 2

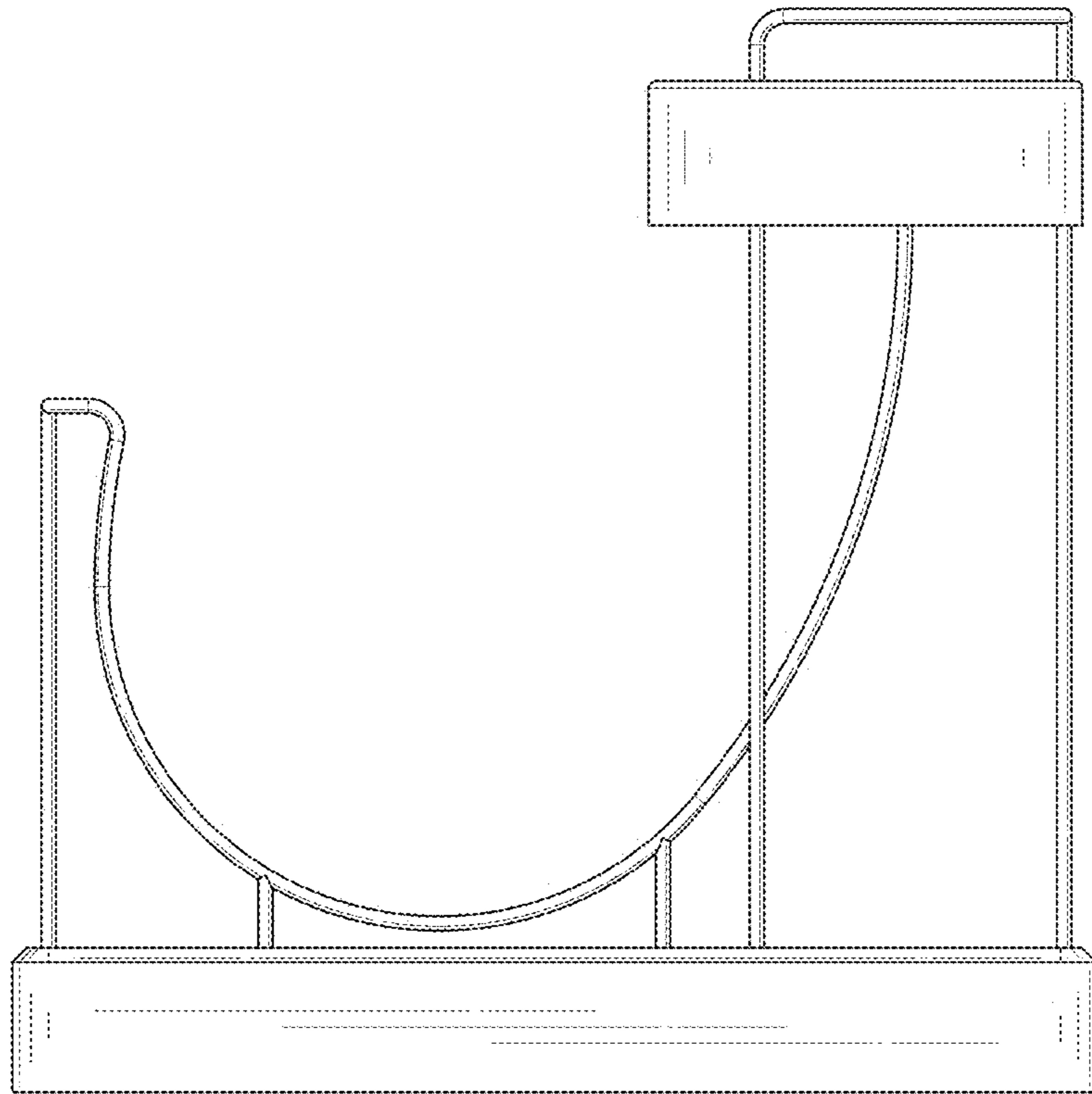


FIG. 3

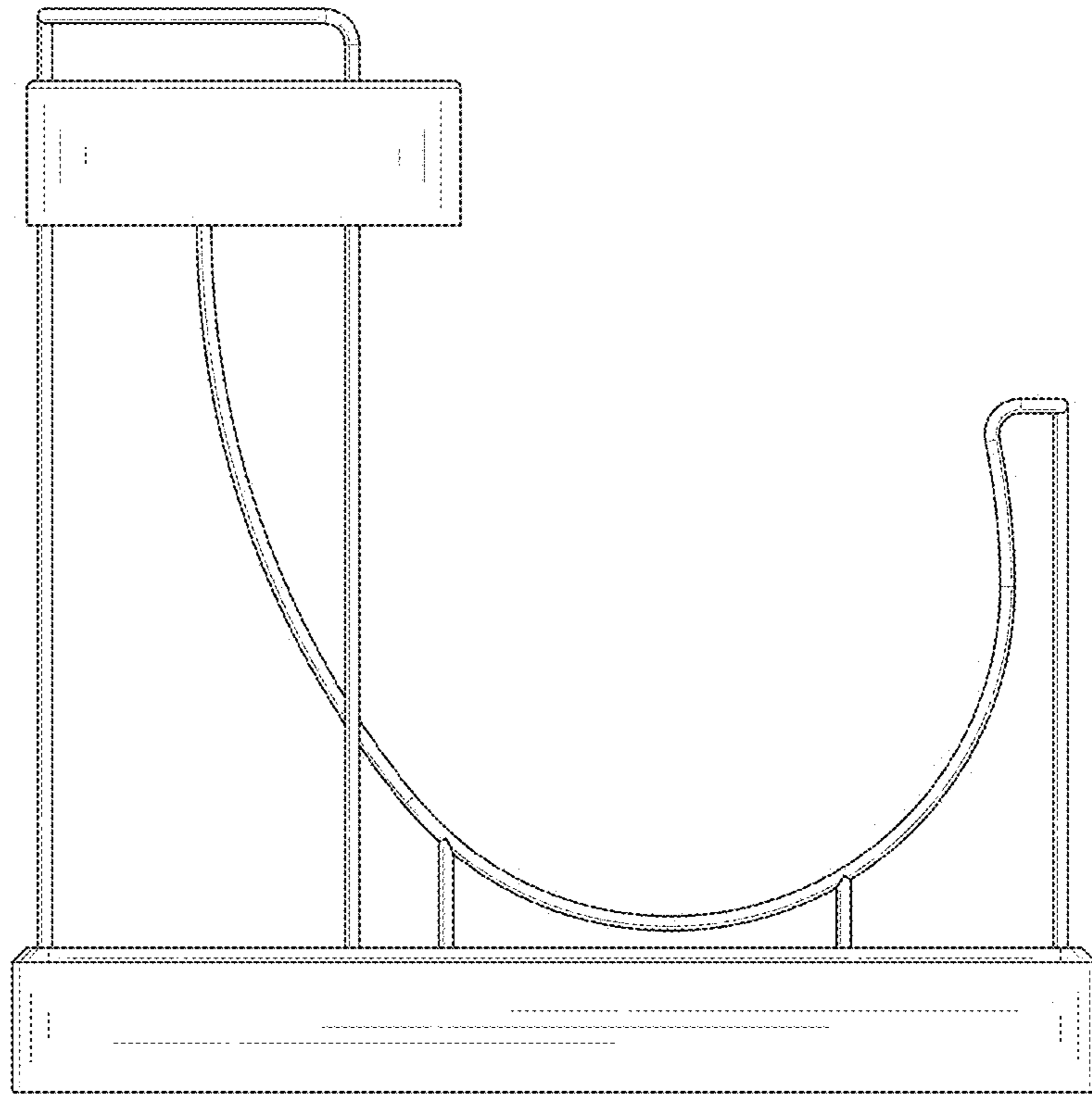


FIG. 4

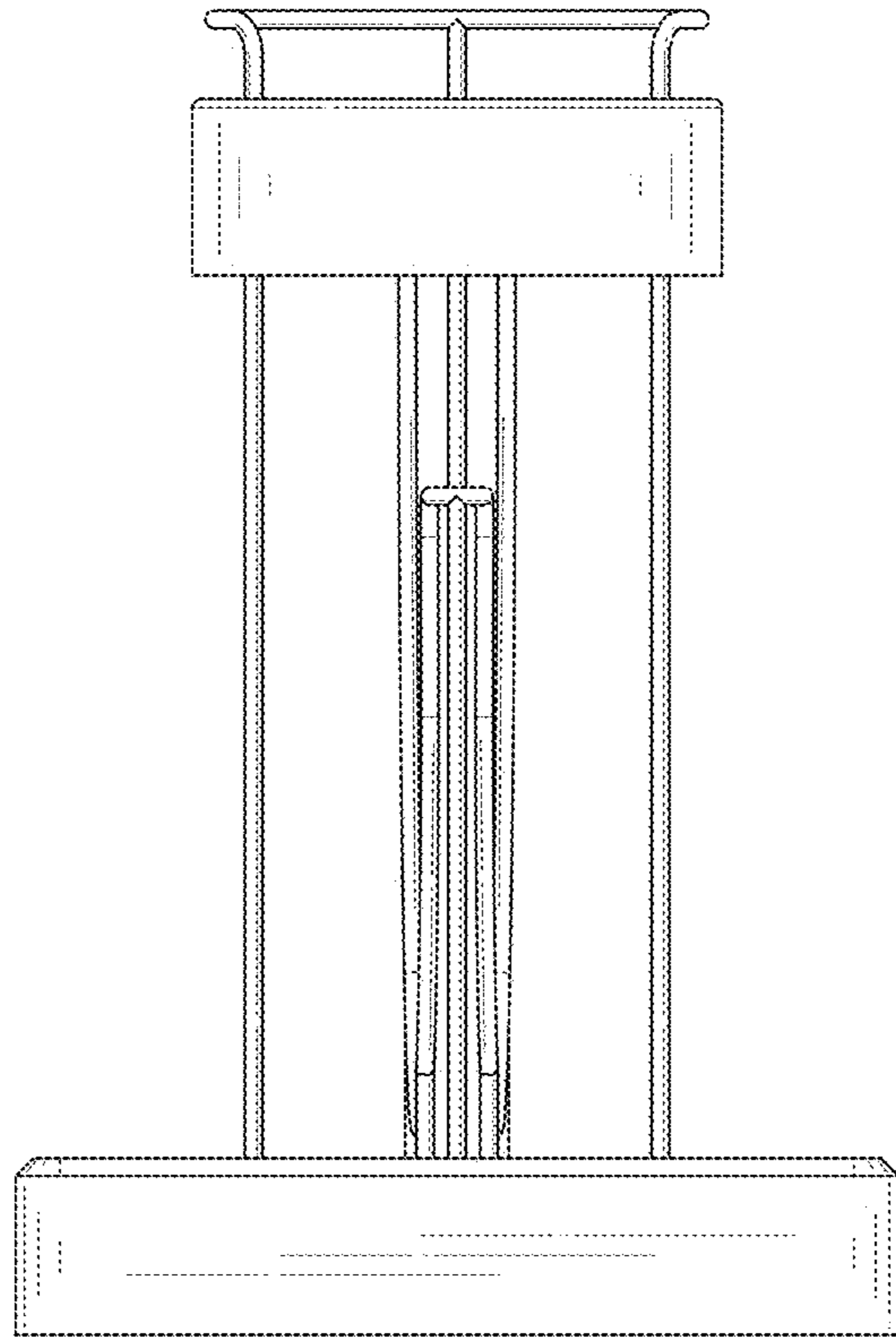


FIG. 5

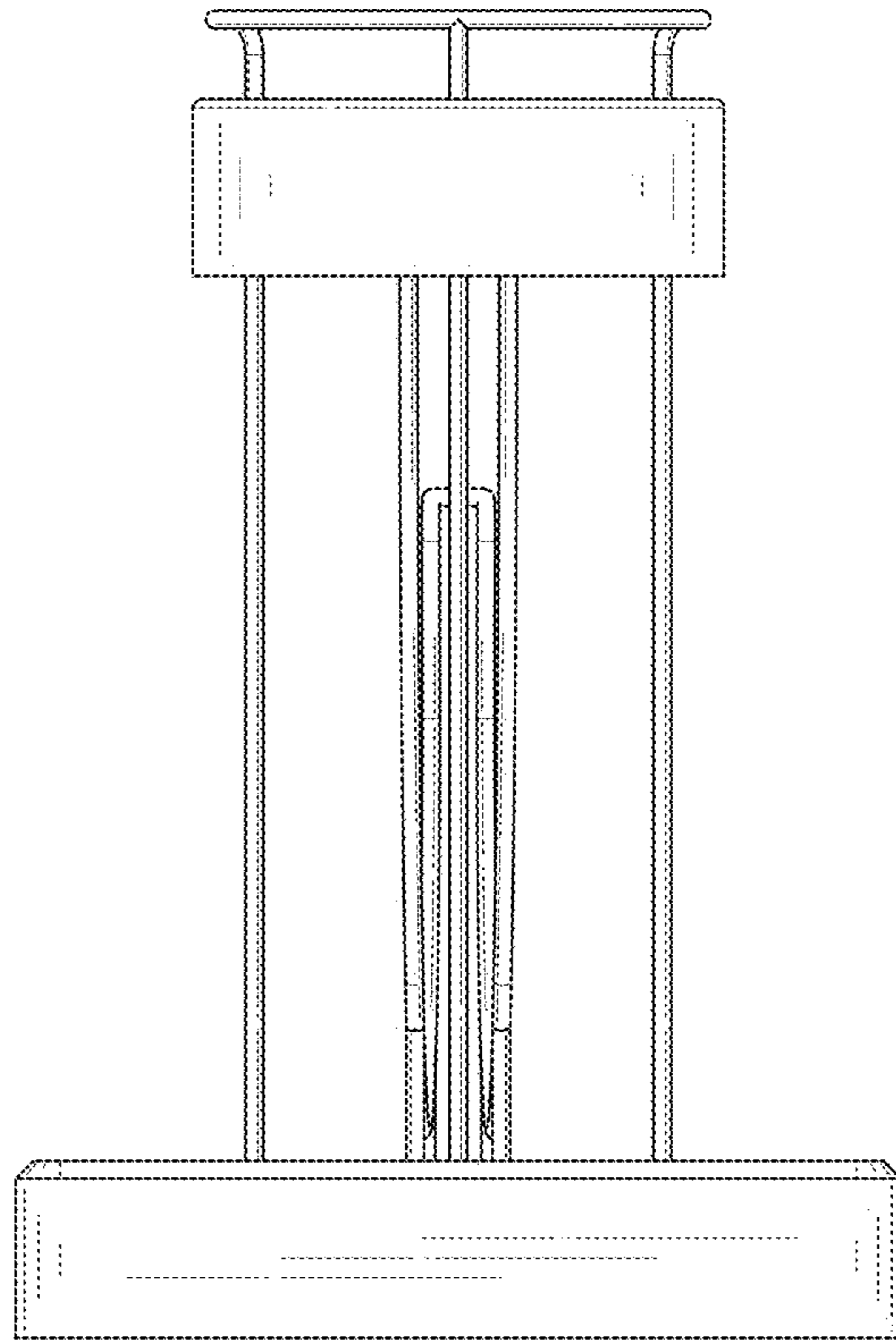


FIG. 6

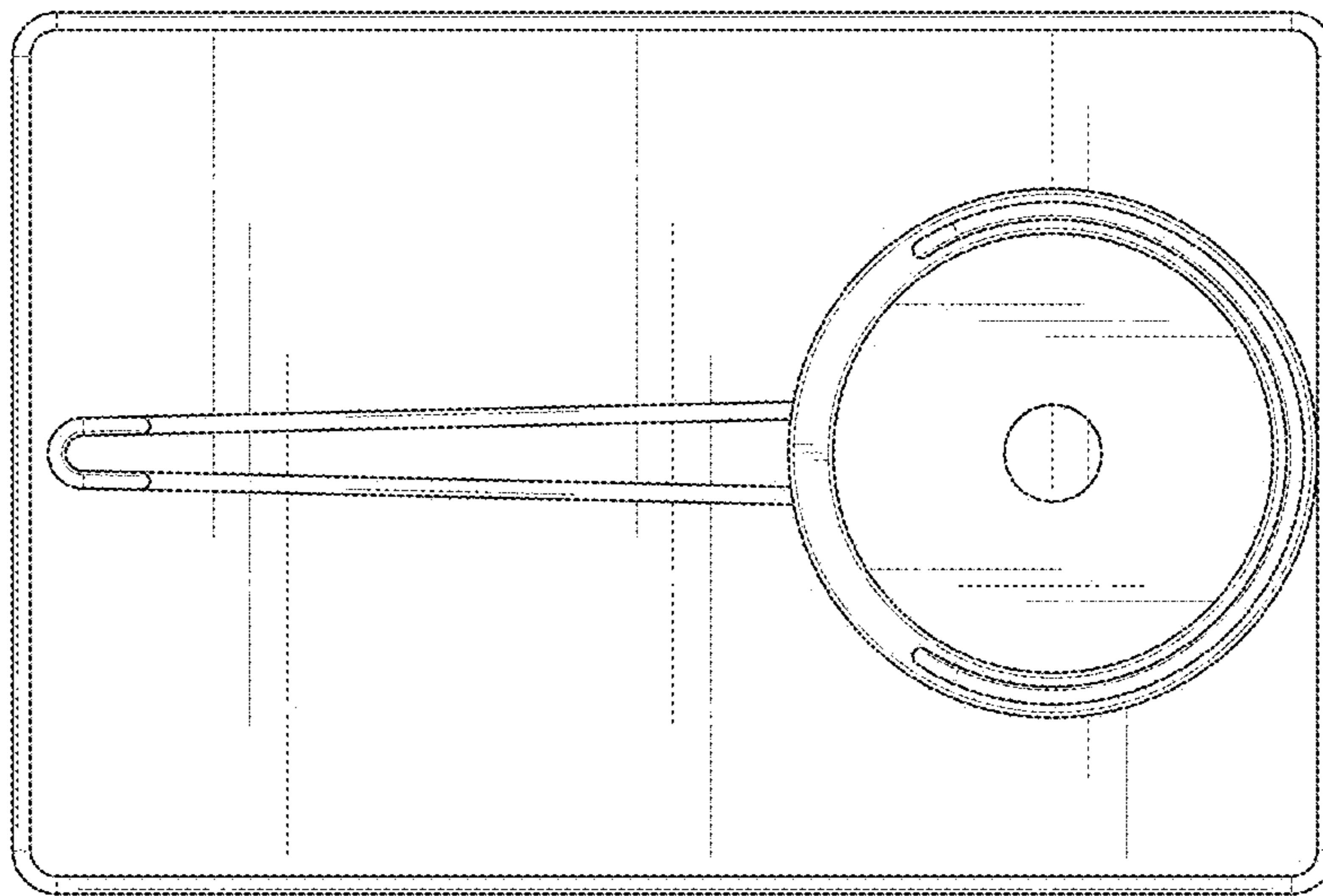


FIG. 7



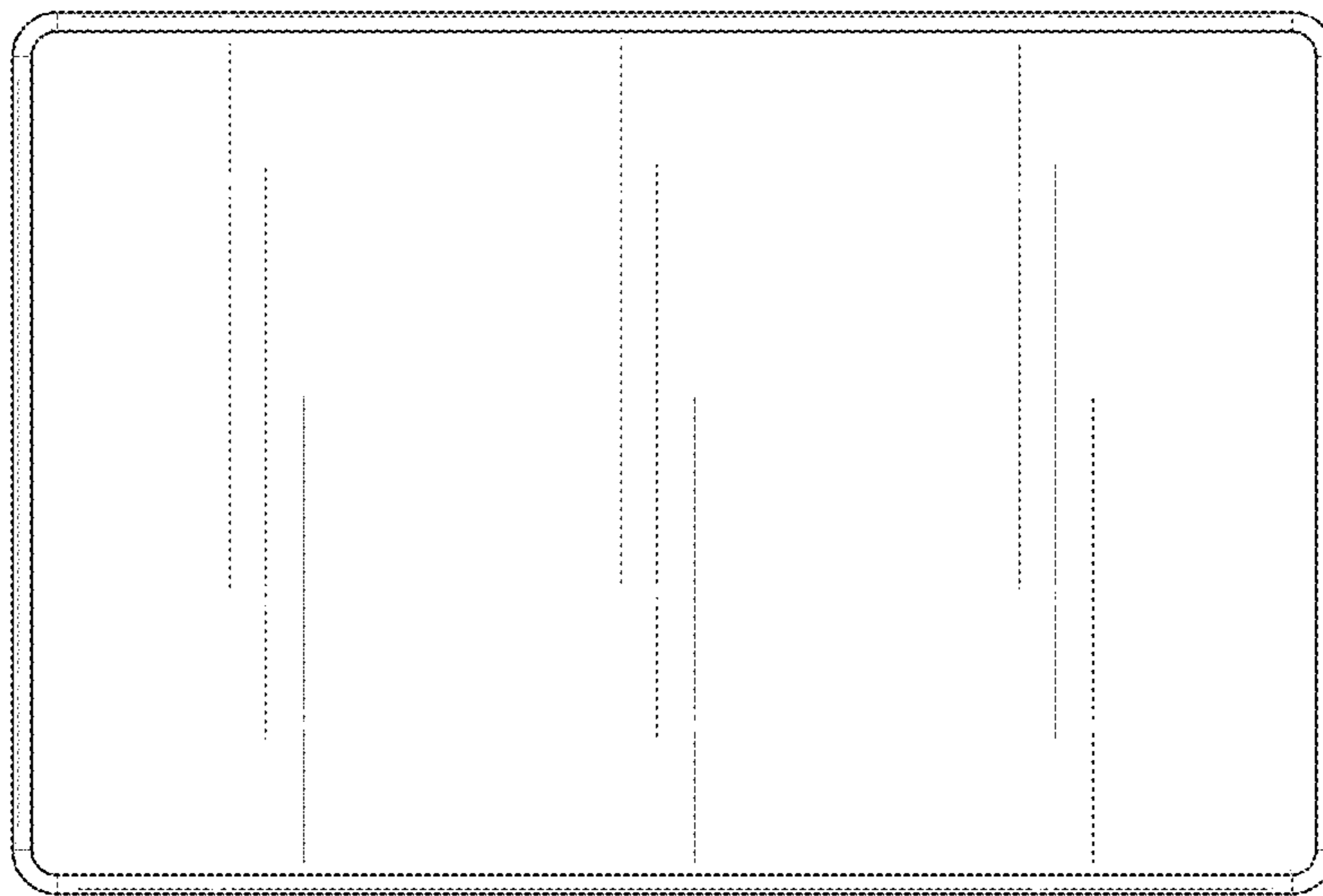


FIG. 8