



US00D963753S

(12) **United States Design Patent** (10) **Patent No.:** **US D963,753 S**
Samson et al. (45) **Date of Patent:** **** Sep. 13, 2022**

(54) **GAME LAYOUT** D11/143, 144, 152, 153, 155, 156, 164;
47/65, 65.5, 65.6, 66.7, 71, 73-75, 39;
473/569, 570; 463/69
(71) Applicant: **Sandstone Media, LLC**, Las Vegas,
NV (US) CPC A63F 3/00; A63F 3/00003; A63F 3/00028;
A63F 3/00041; A63F 3/00044; A63F
(72) Inventors: **James Samson**, Los Angeles, CA (US);
Kyle Rosenblum, Los Angeles, CA
(US); **Jonathan Sanford**, Los Angeles,
CA (US); **Mark Manuel**, Los Angeles,
CA (US) 3/00047; A63F 3/00173; A63F 3/00176;
A63F 3/00214; A63F 3/00261; A63F
3/00643; A63F 3/00646-00659; A63F
3/04; A63F 2003/00182; A63F
2003/00223; A63F 2003/00457; A63F
2003/0046; A63F 2003/00463; A63F
2003/00466; A63F 2003/0047; A63F
(73) Assignee: **Sandstone Media, LLC**, Las Vegas,
NV (US) 2003/00485; A63F 2003/00492; A63F
2003/00507; A63F
(**) Term: **15 Years** (Continued)

(21) Appl. No.: **29/764,668**

(22) Filed: **Dec. 31, 2020**

(51) **LOC (13) Cl.** **21-01**

(52) **U.S. Cl.**
USPC **D21/338**

(58) **Field of Classification Search**
USPC D21/334, 336-342, 355-359, 365, 318,
D21/397, 312, 314, 320, 362, 366, 367,
D21/385, 455, 456, 460, 461, 484,
D21/491-501, 561, 564, 369-375;
273/242, 244-247, 259, 277, 287, 317.3,
273/108.1, 108.5, 118 D, 236-240, 283,
273/309, 441, 461, 108.2, 108.3, 113,
273/115, 116, 241, 280, 282.1, 282.2,
273/282.3, 289, 148 R, 440, 444, 450,
273/453, 459, 109, 110, 108, 456, 443;
D6/406.1, 406.3, 406.4, 406.6; D19/86,
D19/92, 95, 87, 113, 75, 77, 78, 80;
108/14, 62, 43, 67; 434/416, 247, 248,
434/251, 408, 413, 145, 430; 446/82,
446/168, 236, 256, 257, 259, 262, 263,
446/491, 233; D7/538-550.1, 552.2,
D7/553.1-553.8, 554.1-554.4, 558,
D7/584-588, 601, 602, 359, 354, 356;
D9/737, 756, 758-761, 414, 424-433,
D9/456, 499; D30/121, 129-133;

(56) **References Cited**

U.S. PATENT DOCUMENTS

D32,518 S * 4/1900 Adams D21/303
D34,231 S * 3/1901 Caille D21/322
(Continued)

Primary Examiner — Susan Moon Lee
(74) *Attorney, Agent, or Firm* — Patterson + Sheridan,
LLP

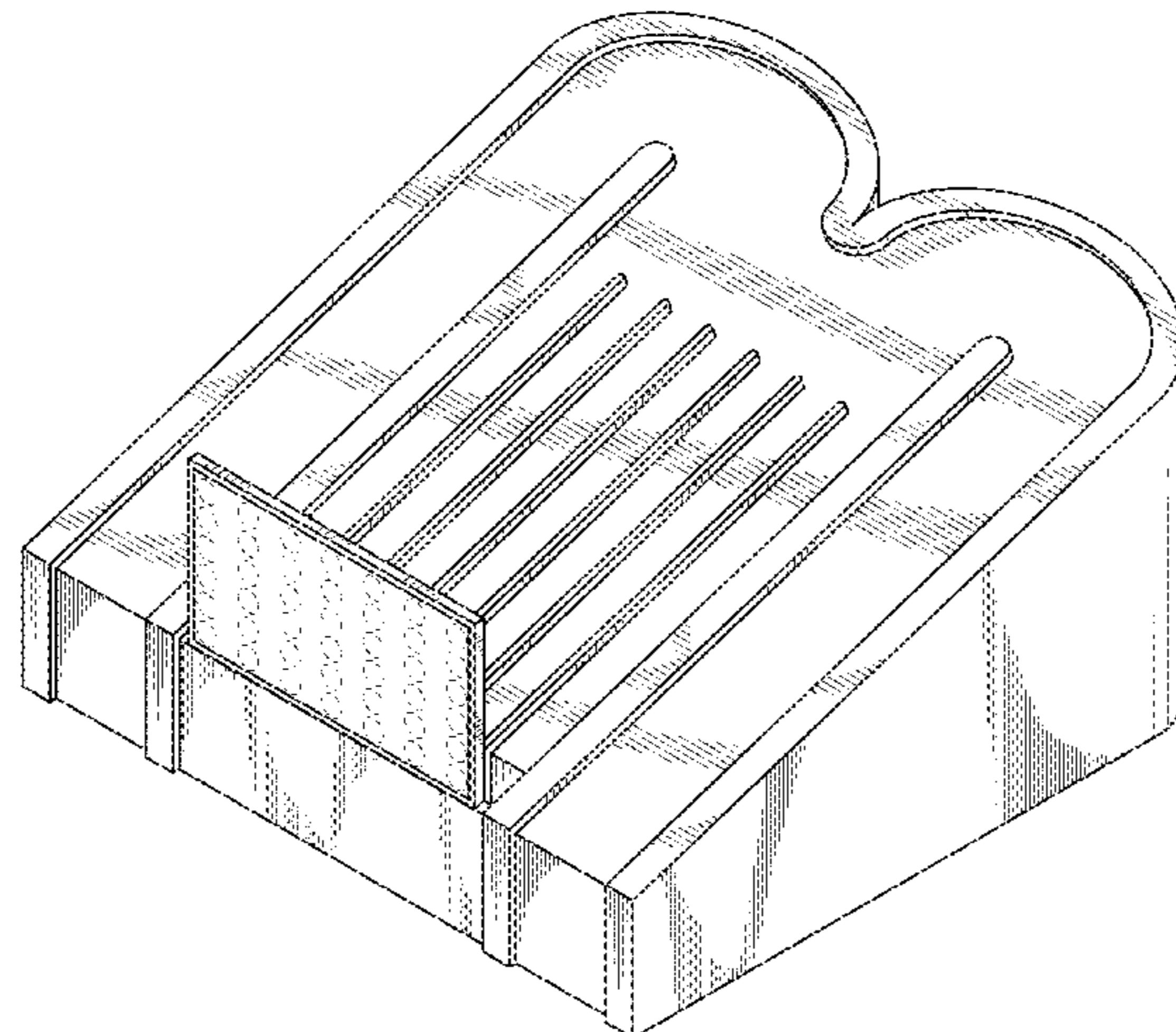
(57) **CLAIM**

The ornamental design for a game layout, as shown and described.

DESCRIPTION

FIG. 1 is a front perspective view of a game layout showing our new design;
FIG. 2 is a rear perspective view thereof;
FIG. 3 is a front elevational view thereof;
FIG. 4 is a rear elevational view thereof;
FIG. 5 is a top plan view thereof;
FIG. 6 is a right side elevational view thereof; and,
FIG. 7 is a left side elevational view thereof.

(Continued)



The broken line portions of the game layout form no part of the claimed design.

1 Claim, 7 Drawing Sheets

(58) Field of Classification Search

CPC 2003/00514; A63F 2003/00533; A63F 2003/00552; A63F 2003/00558; A63F 2003/00943; A63F 2003/00946; A63F 2003/00952-00962; A63F 2003/00974; A63F 7/00; A63F 7/06; A63F 7/0612; A63F 7/0604; A63F 7/0616-0636; A63F 7/30; A63F 7/36; A63F 7/0005; A63F 7/0017; A63F 7/0023; A63F 2007/0035; A63F 2007/367; A63F 2007/3674; A63F 9/00; A63F 9/16; A63F 9/02; A63F 2009/165; A63H 1/00; A63H 1/02; A63H 1/04; A63H 1/10

See application file for complete search history.

(56) References Cited

U.S. PATENT DOCUMENTS

D45,809 S * 5/1914 Jobson D21/322
 1,136,153 A * 4/1915 Martineau et al. ... A63F 7/0005
 273/127 R
 D58,264 S * 6/1921 Tracey D21/322
 1,689,475 A * 10/1928 Brumder A63B 57/357
 473/192
 D80,142 S * 12/1929 Schmitz 473/159
 D81,826 S * 8/1930 Beidelstein D21/321
 D83,050 S * 1/1931 Lagaard 473/158
 D109,927 S * 5/1938 Weissmueller D21/321
 D119,591 S * 3/1940 Koci D21/322
 D123,515 S * 11/1940 Trabucco D21/322
 D161,248 S * 12/1950 Darr 473/19
 D164,166 S * 8/1951 Griswold 273/127 B
 2,609,199 A * 9/1952 Koener A63B 57/0006
 273/125 A
 D168,229 S * 11/1952 Koci 463/58
 D171,687 S * 3/1954 Carver D21/322
 2,704,212 A * 3/1955 Dunseith A63F 7/305
 473/185
 D181,983 S * 1/1958 Lasting D21/319
 D187,538 S * 3/1960 Lasting D21/319
 D187,599 S * 4/1960 Wright D21/312
 3,030,113 A * 4/1962 Brandell A63B 63/00
 273/129 R
 D196,657 S * 10/1963 Cohen D21/790
 3,134,597 A * 5/1964 Brandell A63B 69/3676
 273/129 R
 D199,740 S * 12/1964 Kuchlin D21/322
 D204,891 S * 5/1966 Lasting D21/319
 D211,651 S * 7/1968 Cohen D21/790
 3,561,765 A * 2/1971 Dixon A63B 57/405
 473/184
 3,658,336 A * 4/1972 Knapp A63F 3/00028
 273/284
 3,865,377 A * 2/1975 Cooper A63F 7/0005
 273/127 D
 3,892,407 A * 7/1975 Higgins A63F 9/0208
 273/456
 3,907,294 A * 9/1975 Breslow A63F 7/0005
 473/109

4,055,349 A * 10/1977 Hunt A63B 57/405
 377/5
 4,078,806 A * 3/1978 Brandell A63B 57/405
 473/183
 4,573,686 A * 3/1986 Nakamats A63B 69/3676
 473/184
 D285,943 S * 9/1986 Sadleir D21/321
 4,709,929 A * 12/1987 Mills A63B 63/08
 273/402
 4,804,182 A * 2/1989 Egger A63B 43/02
 473/115
 D309,922 S * 8/1990 Jorgensen D21/317
 D310,246 S * 8/1990 Maloney, II D21/790
 4,968,041 A * 11/1990 Calvo A63F 9/0204
 273/401
 D316,120 S * 4/1991 Morris D21/790
 5,007,644 A * 4/1991 Bluthardt A63B 67/02
 473/157
 5,056,797 A * 10/1991 Hockert A63B 67/06
 273/402
 D321,616 S * 11/1991 Barfield D6/707.13
 5,082,280 A * 1/1992 Wang A63B 67/02
 428/17
 D326,481 S * 5/1992 Pritchett D21/365
 5,139,262 A * 8/1992 Lai A63B 57/40
 473/181
 D347,661 S * 6/1994 Dickson D21/319
 D357,963 S * 5/1995 Amburgey D21/342
 D361,795 S * 8/1995 Abrudan D21/321
 D368,119 S * 3/1996 Hourie D21/358
 D369,188 S * 4/1996 Briggs D21/322
 D370,699 S * 6/1996 Alford D21/314
 D382,601 S * 8/1997 Antill D21/303
 D399,285 S * 10/1998 Ridge D21/789
 5,857,919 A * 1/1999 Hoyt A63B 57/40
 473/184
 D407,764 S * 4/1999 Ashton D21/397
 D409,704 S * 5/1999 Nunes D21/791
 5,997,001 A * 12/1999 Doss A63F 3/00041
 273/287
 6,283,873 B1 * 9/2001 Nunes A63B 57/357
 473/174
 D472,584 S * 4/2003 Perry D21/321
 D483,414 S * 12/2003 Wilson, Sr. D21/322
 6,939,240 B2 * 9/2005 Daley A63B 63/007
 473/193
 7,294,062 B2 * 11/2007 Ting A63B 67/02
 473/162
 D606,126 S * 12/2009 Ujita D21/397
 D673,635 S * 1/2013 Cameron D21/791
 D850,095 S * 6/2019 Kaplan D3/11
 D850,096 S * 6/2019 Kaplan D3/11
 D856,430 S * 8/2019 Cangi D21/303
 10,493,347 B2 * 12/2019 Halpin A63B 57/40
 D910,759 S * 2/2021 Cai D21/338
 10,940,378 B1 * 3/2021 Offerman A63B 57/40
 2003/0109318 A1 * 6/2003 Oyauchi A63B 24/0021
 473/192
 2004/0108658 A1 * 6/2004 Bartel A63B 67/06
 273/398
 2006/0125186 A1 * 6/2006 Digges A63B 67/06
 273/402
 2010/0320682 A1 * 12/2010 Derrah A63H 7/00
 273/108.1
 2011/0189921 A1 * 8/2011 Andersen A63H 33/22
 446/485
 2016/0038809 A1 * 2/2016 Rockwell A63F 7/0612
 273/401
 2016/0045799 A1 * 2/2016 Gallagher A63B 63/007
 273/335

* cited by examiner

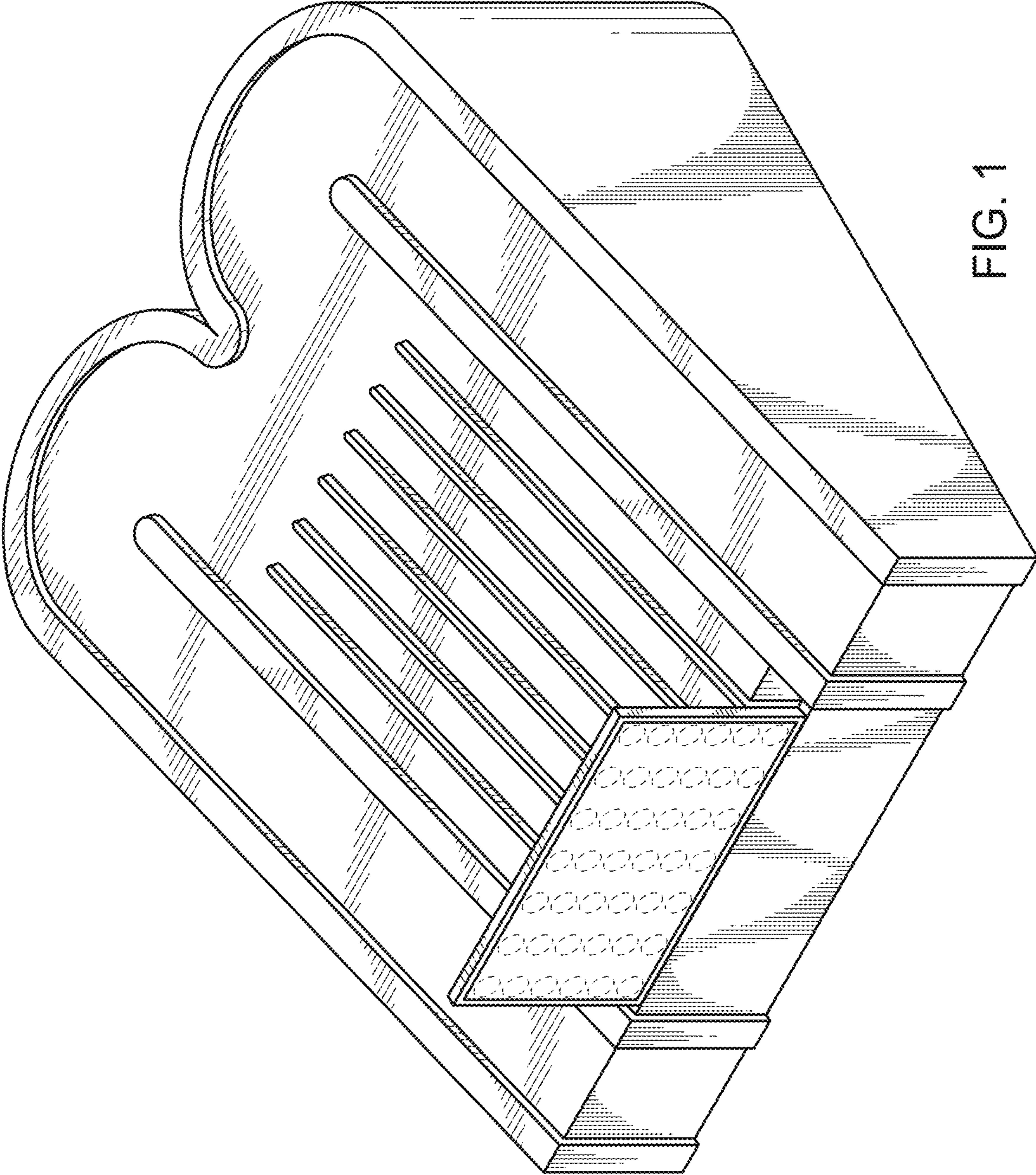


FIG. 1

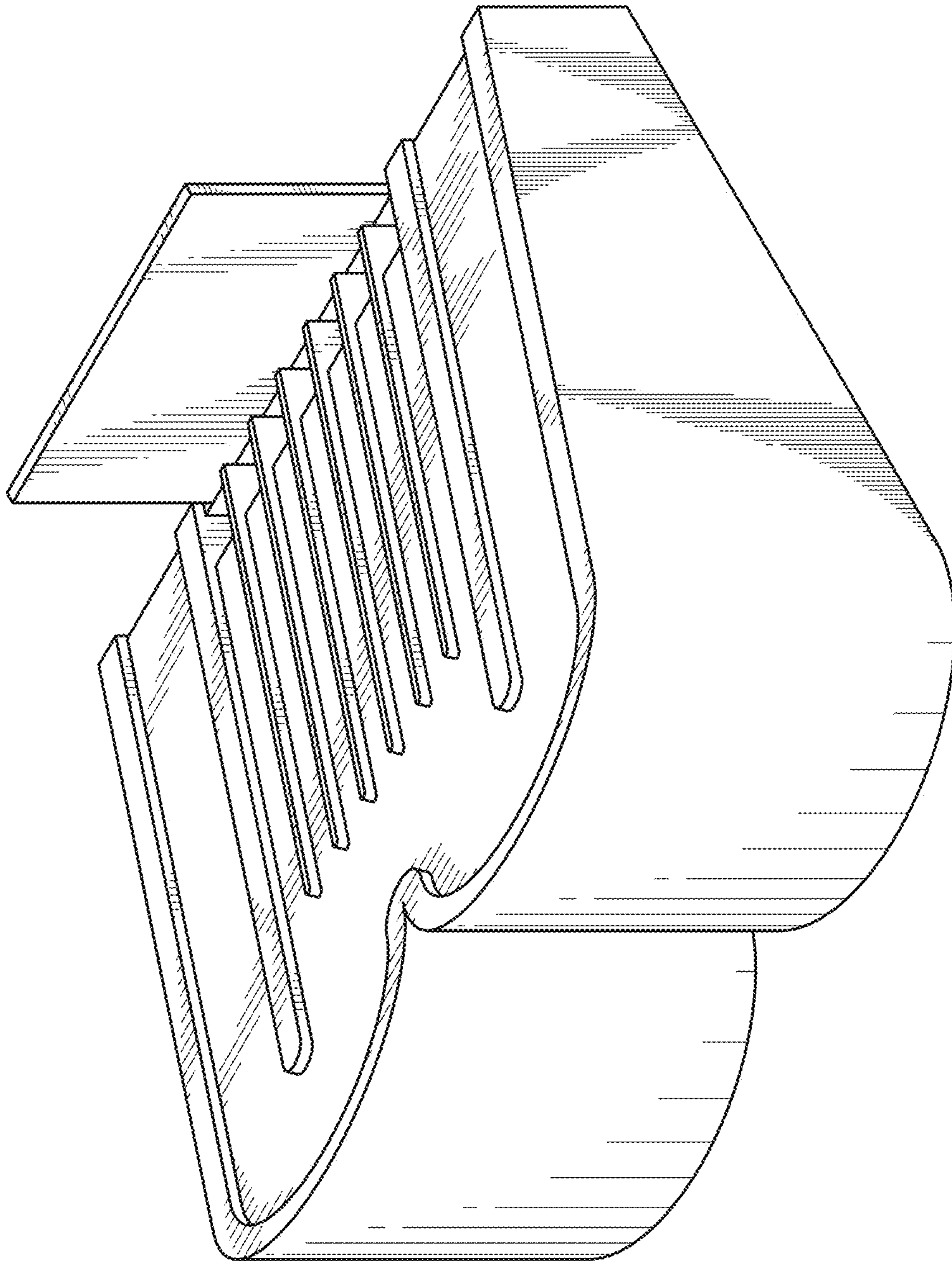


FIG. 2

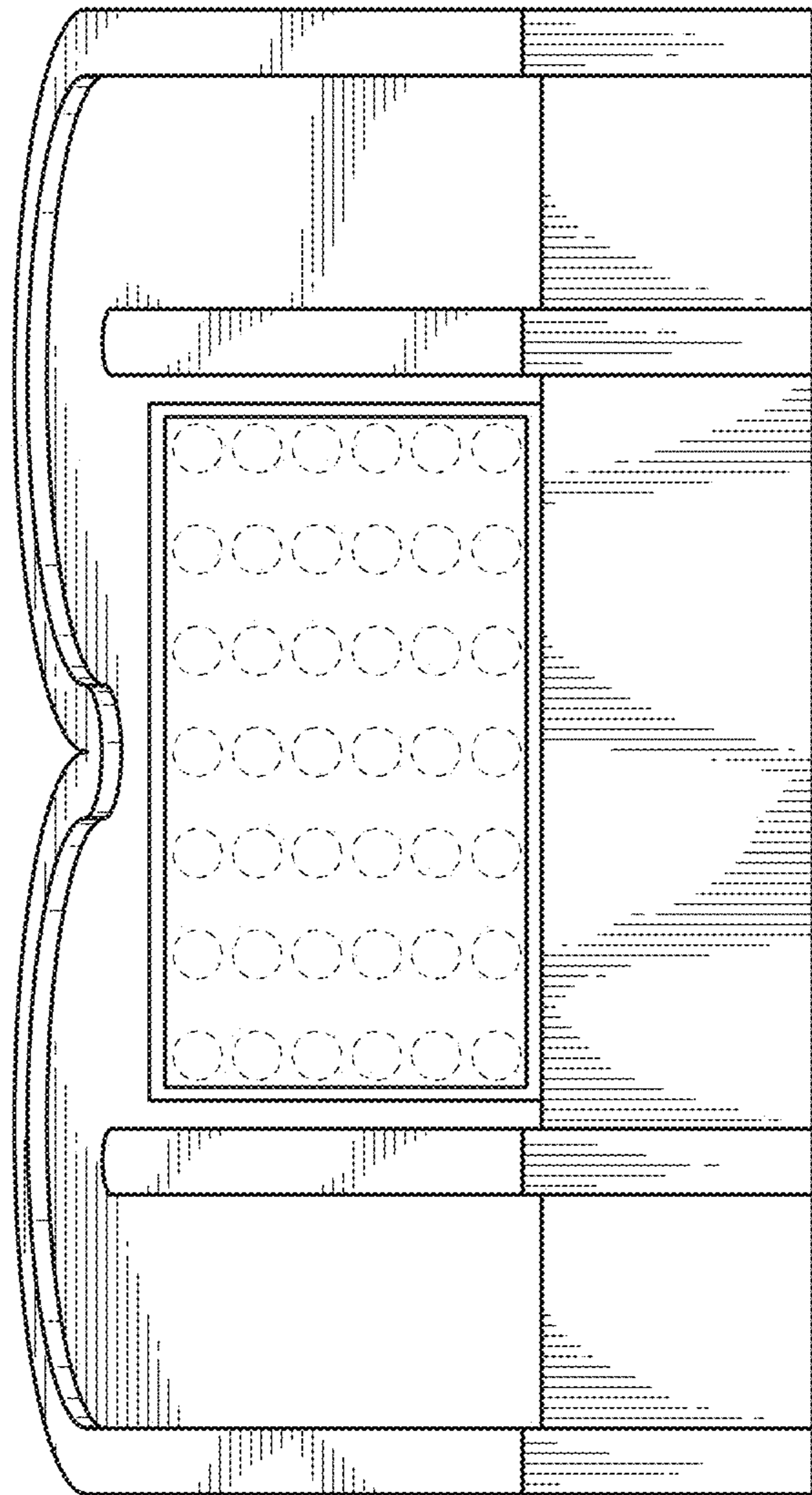


FIG. 3

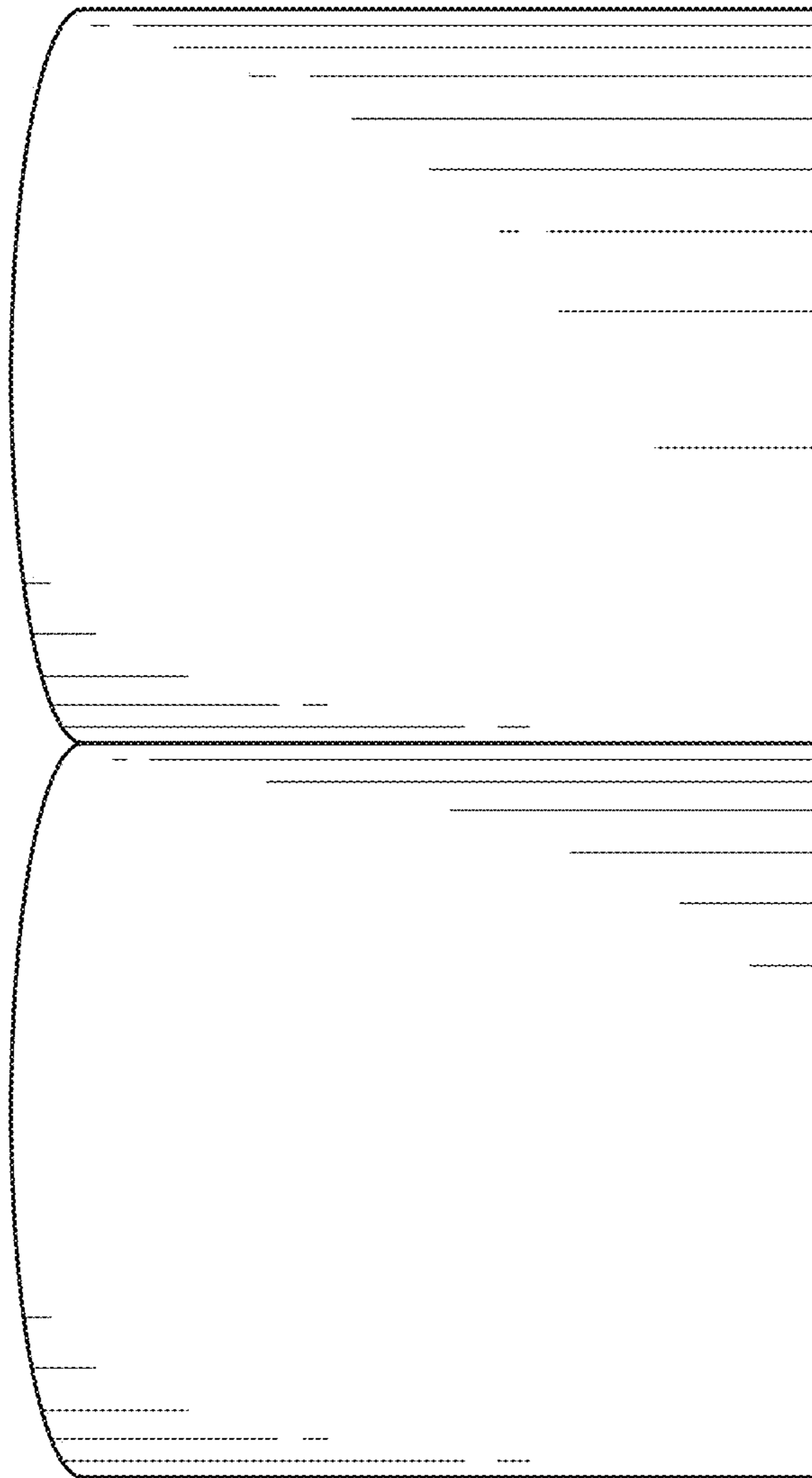


FIG. 4

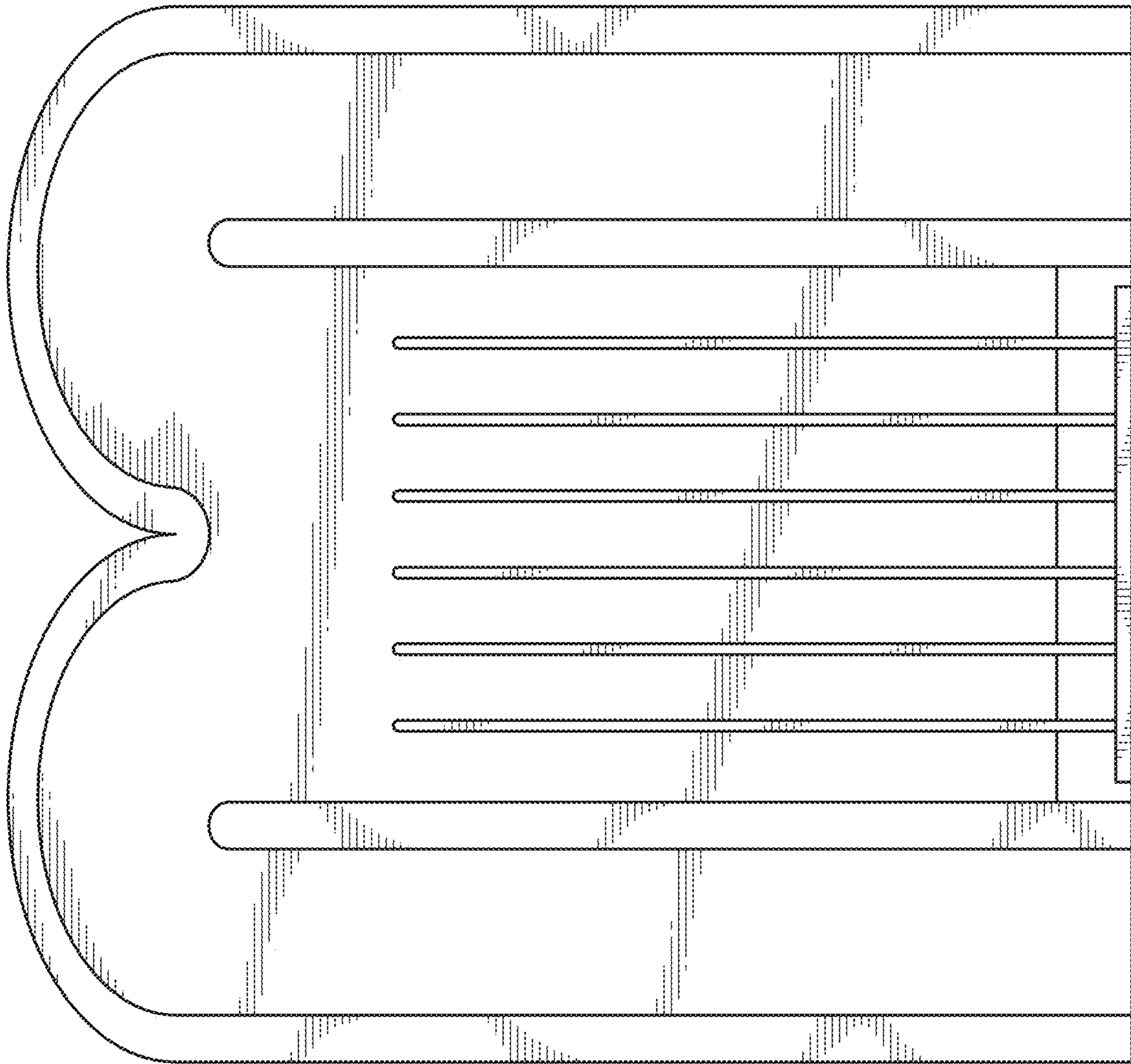


FIG. 5

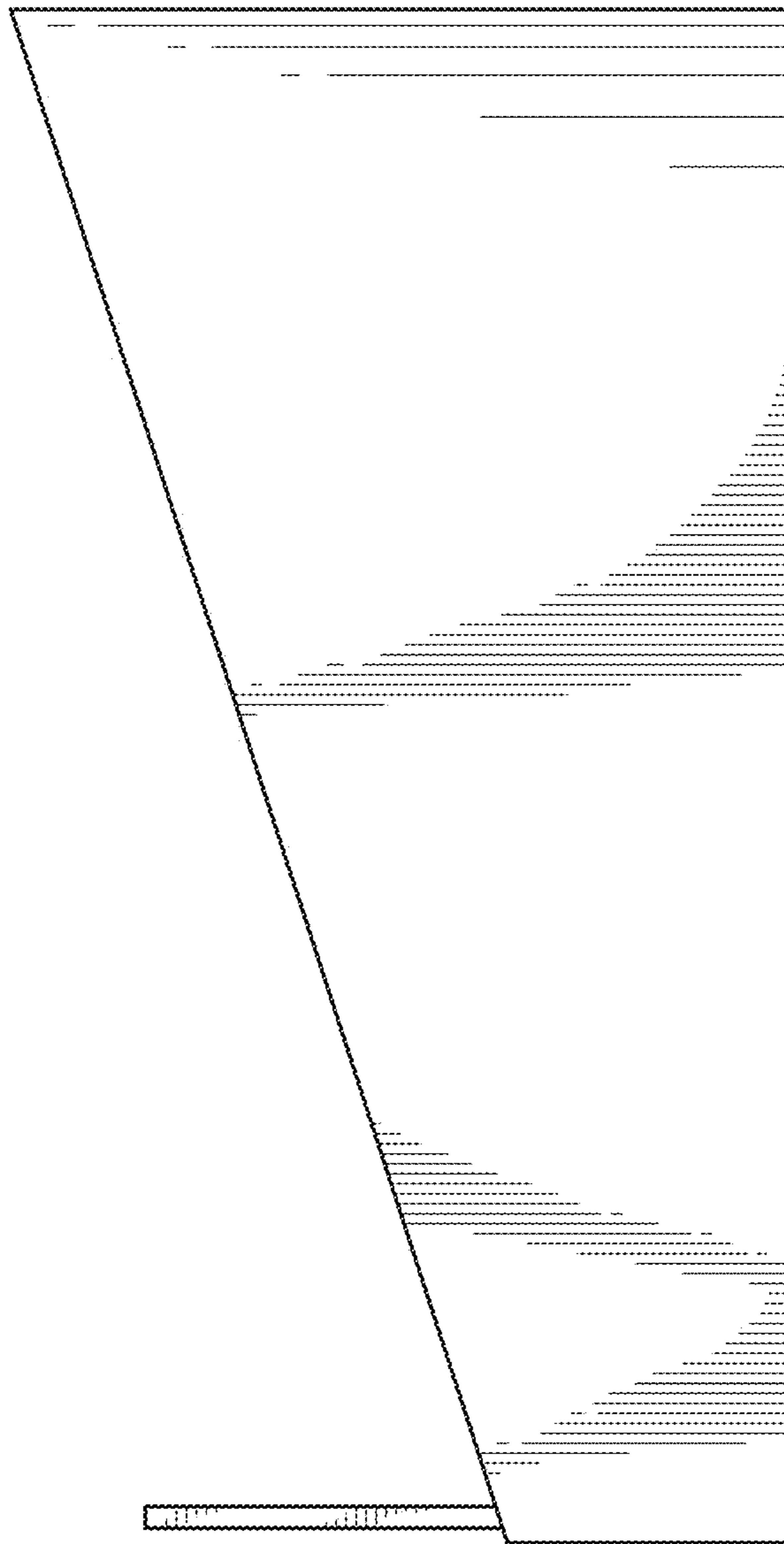


FIG. 6

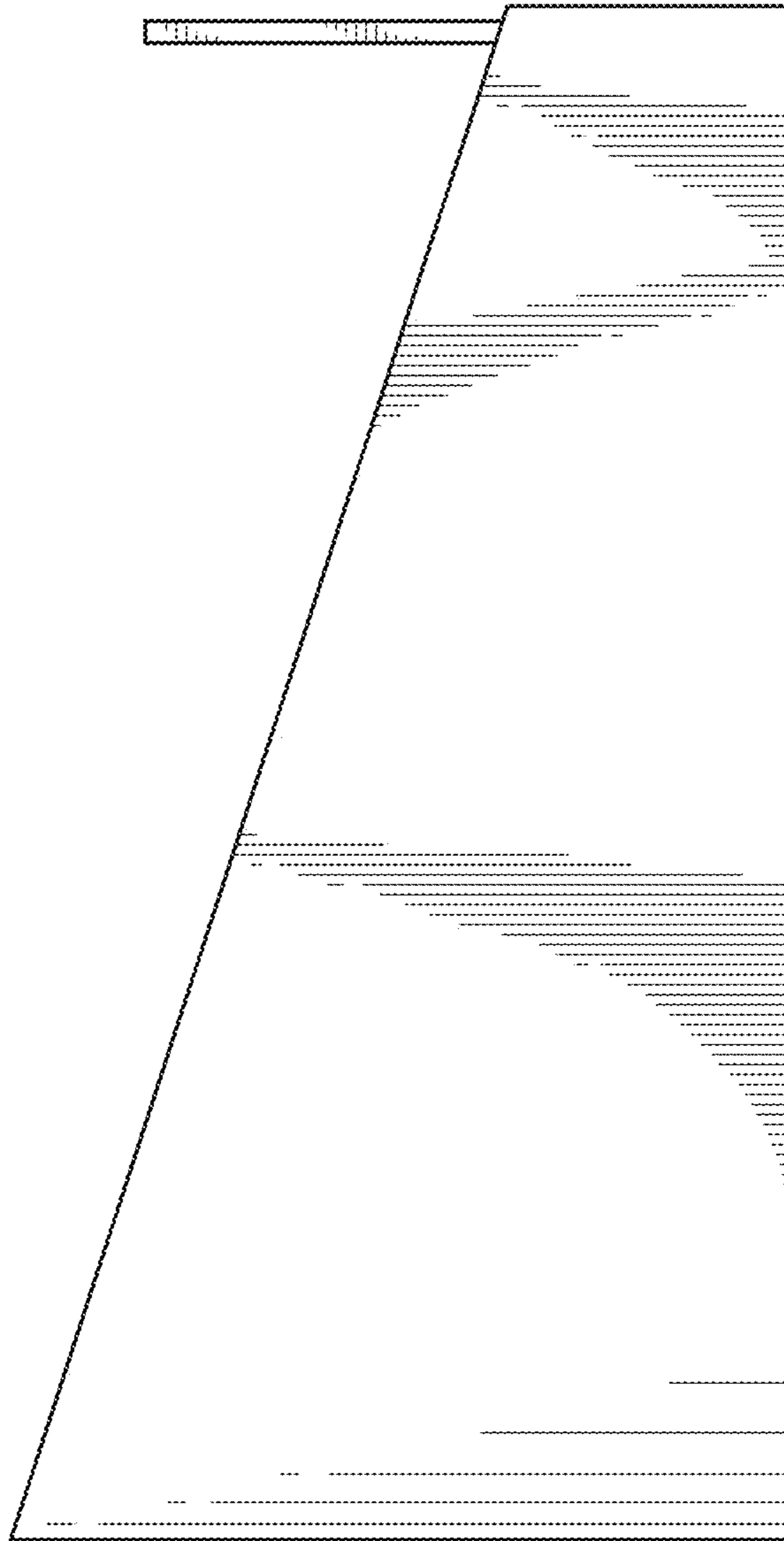


FIG. 7