

US00D963750S

(12) **United States Design Patent** (10) **Patent No.:** **US D963,750 S**  
**Rothman et al.** (45) **Date of Patent:** **\*\* Sep. 13, 2022**

(54) **BUTTON COVER**

(71) Applicant: **Caesars Enterprise Services, LLC,**  
Las Vegas, NV (US)

(72) Inventors: **Hagai Rothman,** Las Vegas, NV (US);  
**Liam M. Perry,** Las Vegas, NV (US)

(73) Assignee: **Caesars Enterprise Services, LLC,**  
Las Vegas, NV (US)

(\*\*) Term: **15 Years**

(21) Appl. No.: **29/828,837**

(22) Filed: **Mar. 1, 2022**

D366,285 S \* 1/1996 Tada ..... D21/332  
D412,187 S \* 7/1999 Kitamori ..... D14/435  
D474,510 S \* 5/2003 Fayram ..... D21/330  
D478,127 S \* 8/2003 Nishikawa ..... D14/435  
D480,764 S \* 10/2003 Inoue ..... D21/332  
D530,341 S \* 10/2006 Maruyama ..... D14/356  
D530,343 S \* 10/2006 Maruyama ..... D14/481  
D531,228 S \* 10/2006 Ashida ..... D21/332  
D539,355 S \* 3/2007 Fujita ..... D14/435  
D543,206 S \* 5/2007 Maruyama ..... D14/481  
D546,896 S \* 7/2007 Ibuki ..... D14/435  
D550,775 S \* 9/2007 Fujita ..... D14/435  
D556,835 S \* 12/2007 Ashida ..... D21/324  
D602,095 S \* 10/2009 Fujino ..... D21/332

(Continued)

Primary Examiner — Mehri F Bajoul

(74) Attorney, Agent, or Firm — Greenberg Traurig, LLP

**Related U.S. Application Data**

(62) Division of application No. 29/682,296, filed on Mar. 4, 2019, now Pat. No. Des. 954,831.

(51) **LOC (13) Cl.** ..... **21-01**

(52) **U.S. Cl.**  
USPC ..... **D21/332; D21/333**

(58) **Field of Classification Search**

USPC ..... D8/321, 322; D29/129; D26/113, 119;  
D24/113, 144, 184; D15/5, 17, 28,  
D15/144.1, 144.2; D13/113, 118, 154,  
D13/155, 160, 161, 168, 171, 173, 174,  
D13/177, 184; D12/171, 172, 174, 177,  
D12/223, 317, 345, 415; D10/103,  
D10/106.95; D23/322, 364; D21/332,  
D21/333, 334, 370, 349, 253, 358, 375,  
D21/381, 382, 432, 447, 484.1; D14/257,  
D14/299, 440, 496, 502, 505, 506  
CPC ..... A44B 5/007; A44B 1/14; H01H 9/28  
See application file for complete search history.

(56) **References Cited**

**U.S. PATENT DOCUMENTS**

D252,926 S \* 9/1979 Thompson ..... D21/332  
D362,869 S \* 10/1995 Oikawa ..... D21/332

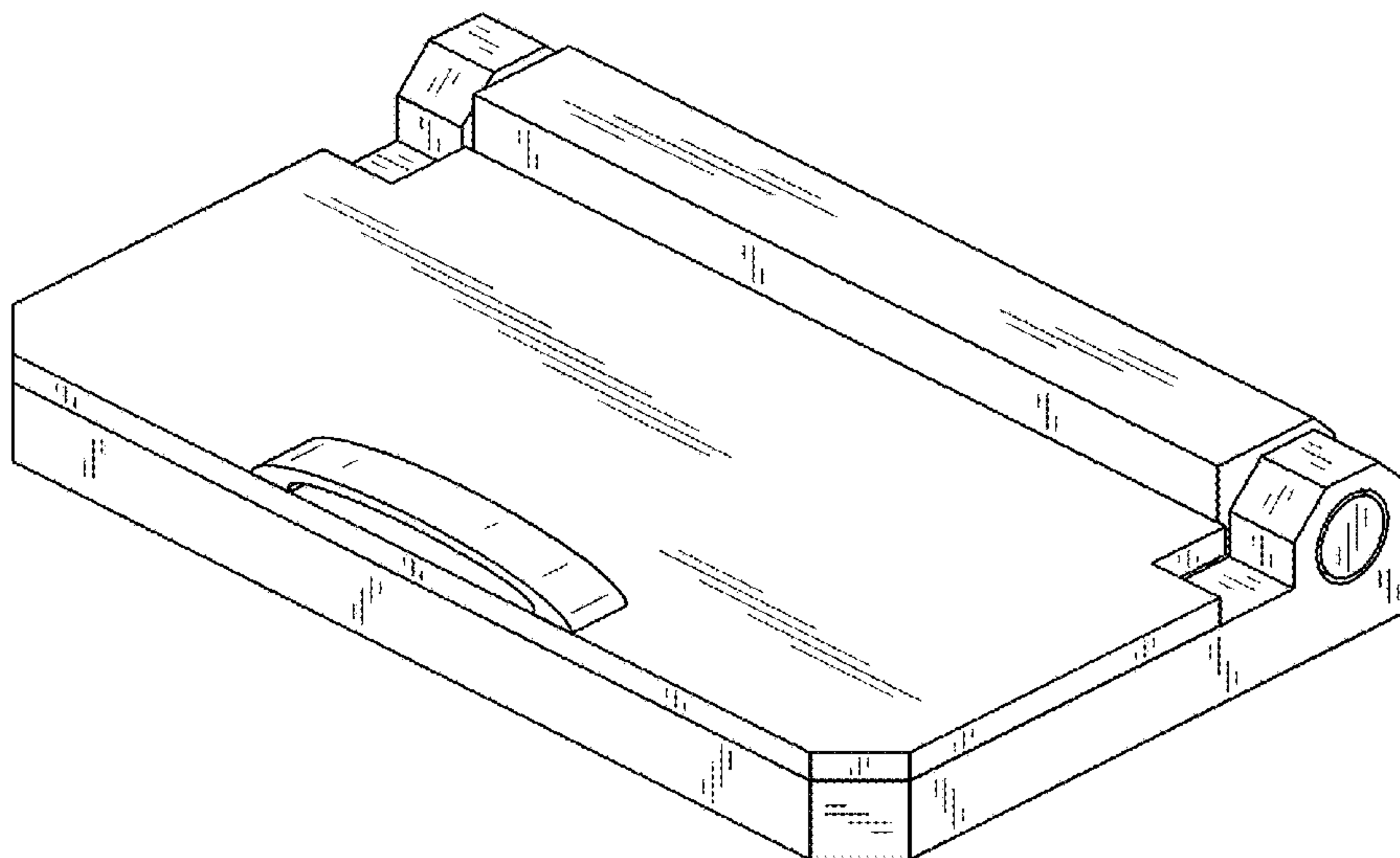
(57) **CLAIM**

We claim the ornamental design for a button cover, as shown and described.

**DESCRIPTION**

FIG. 1 is a top front right perspective view of a button cover in a closed condition, showing our new design;  
FIG. 2 is a front view of the button cover shown in FIG. 1;  
FIG. 3 is a rear view of the button cover shown in FIG. 1;  
FIG. 4 is a left side view of the button cover shown in FIG. 1;  
FIG. 5 is right side view of the button cover shown in FIG. 1;  
FIG. 6 is a top plan view of the button cover shown in FIG. 1;  
FIG. 7 is a bottom plan view of the button cover shown in FIG. 1; and,  
FIG. 8 is a perspective view of the button cover shown in FIG. 1, showing the button cover open.

**1 Claim, 4 Drawing Sheets**



(56)

**References Cited**

U.S. PATENT DOCUMENTS

D650,447 S	*	12/2011	Ehara .....	D21/333
D655,758 S	*	3/2012	Sunabe .....	D21/333
D666,679 S	*	9/2012	Ehara .....	D21/333
D669,939 S	*	10/2012	Fujino .....	D21/330
D697,139 S	*	1/2014	Sugino .....	D14/345
D760,184 S	*	6/2016	Lu .....	D21/333
D954,831 S	*	6/2022	Rothman .....	D21/333

\* cited by examiner

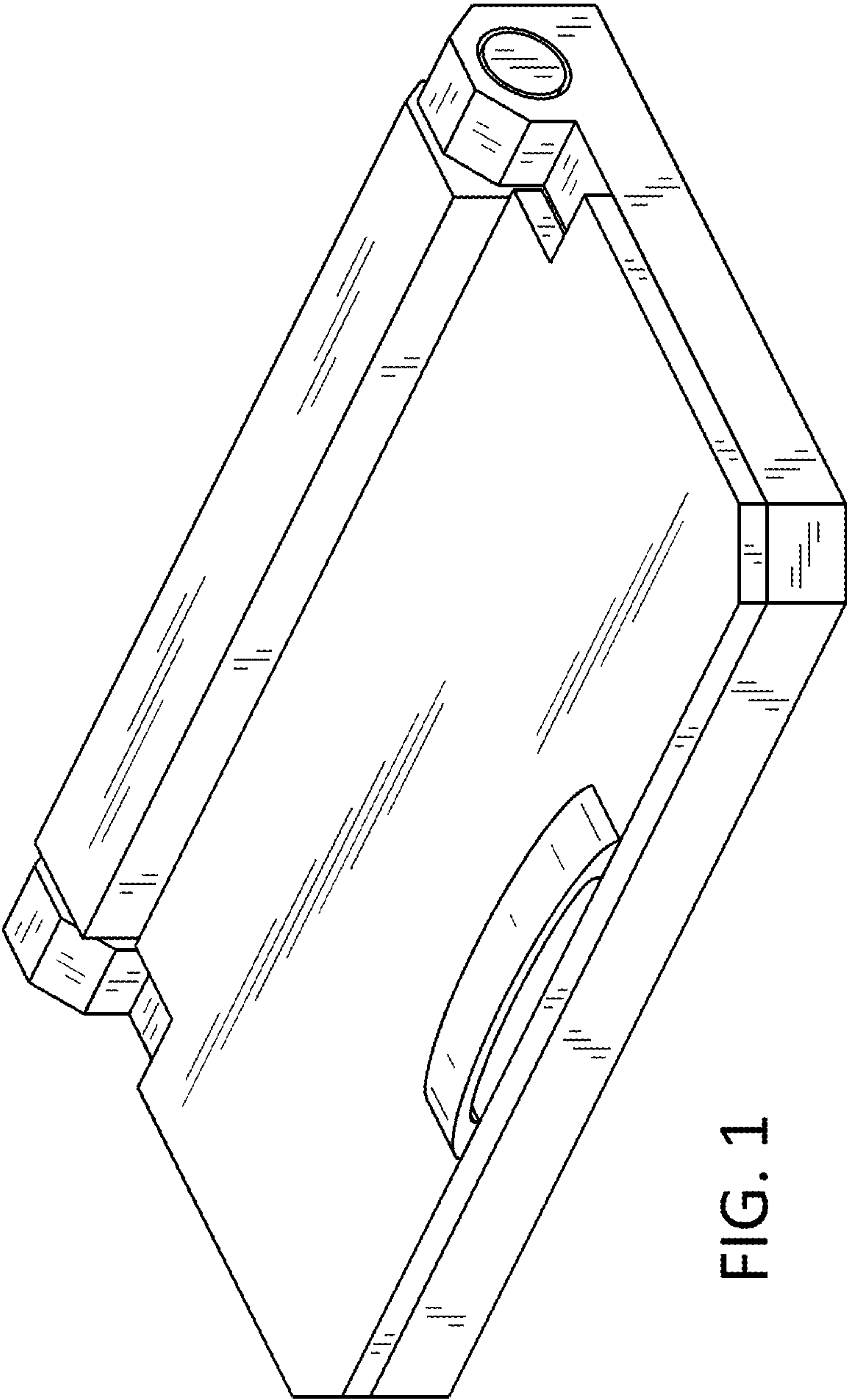


FIG. 1

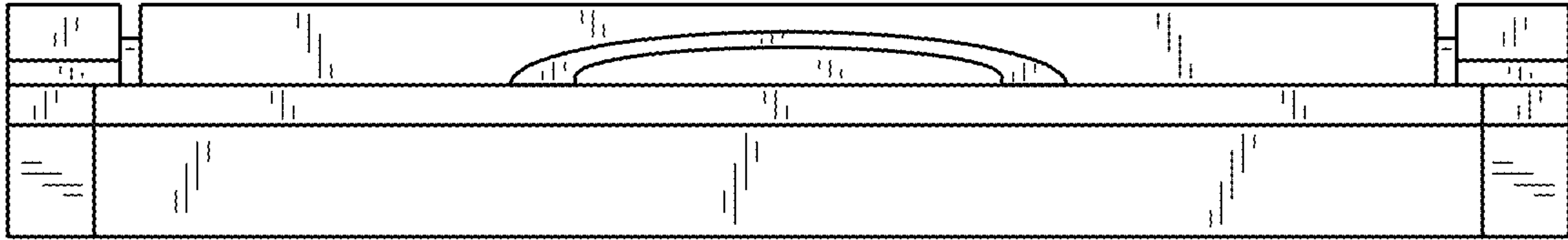


FIG. 2

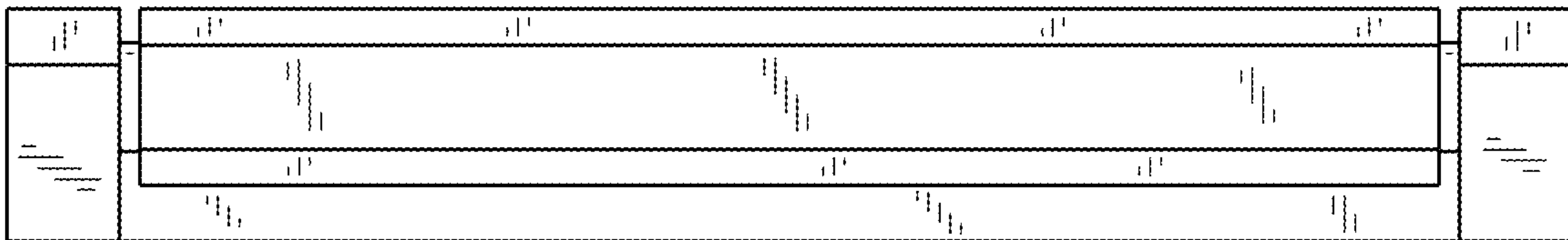


FIG. 3

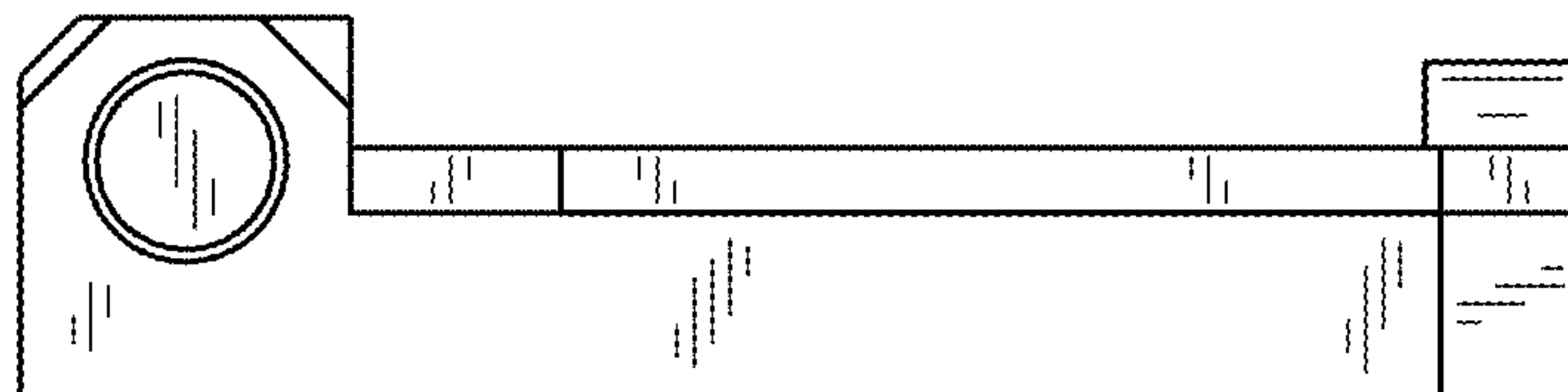


FIG. 4

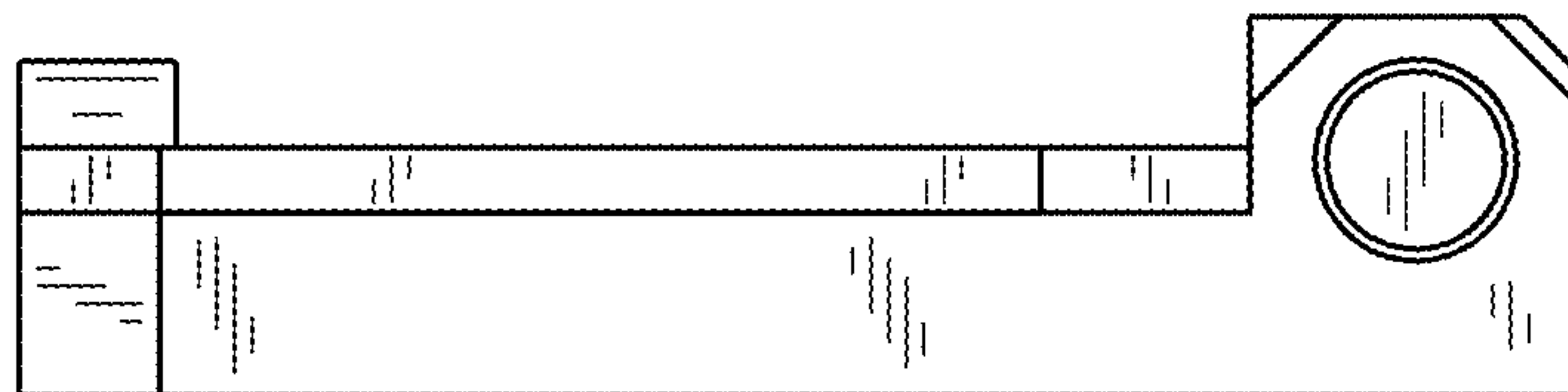


FIG. 5

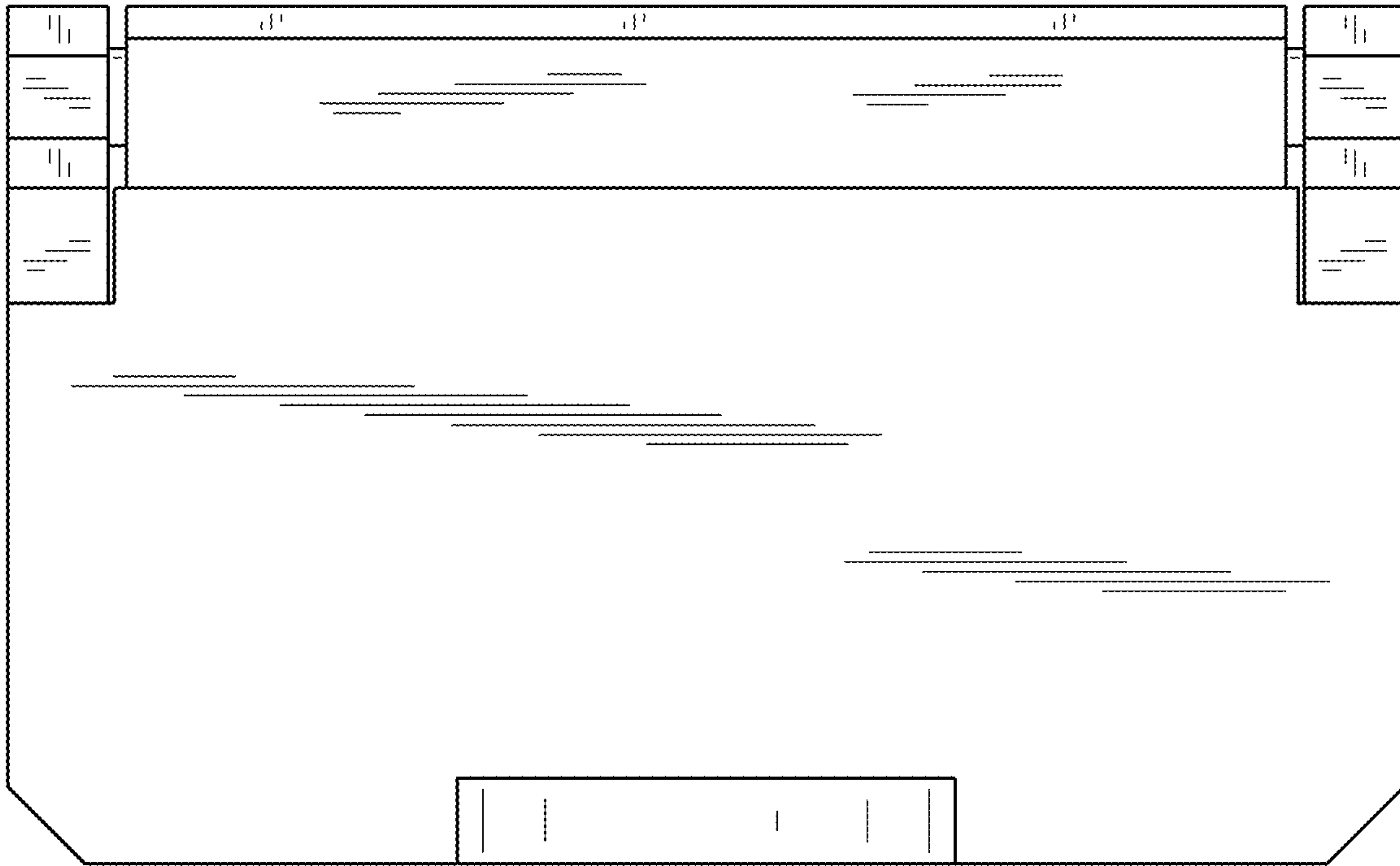


FIG. 6

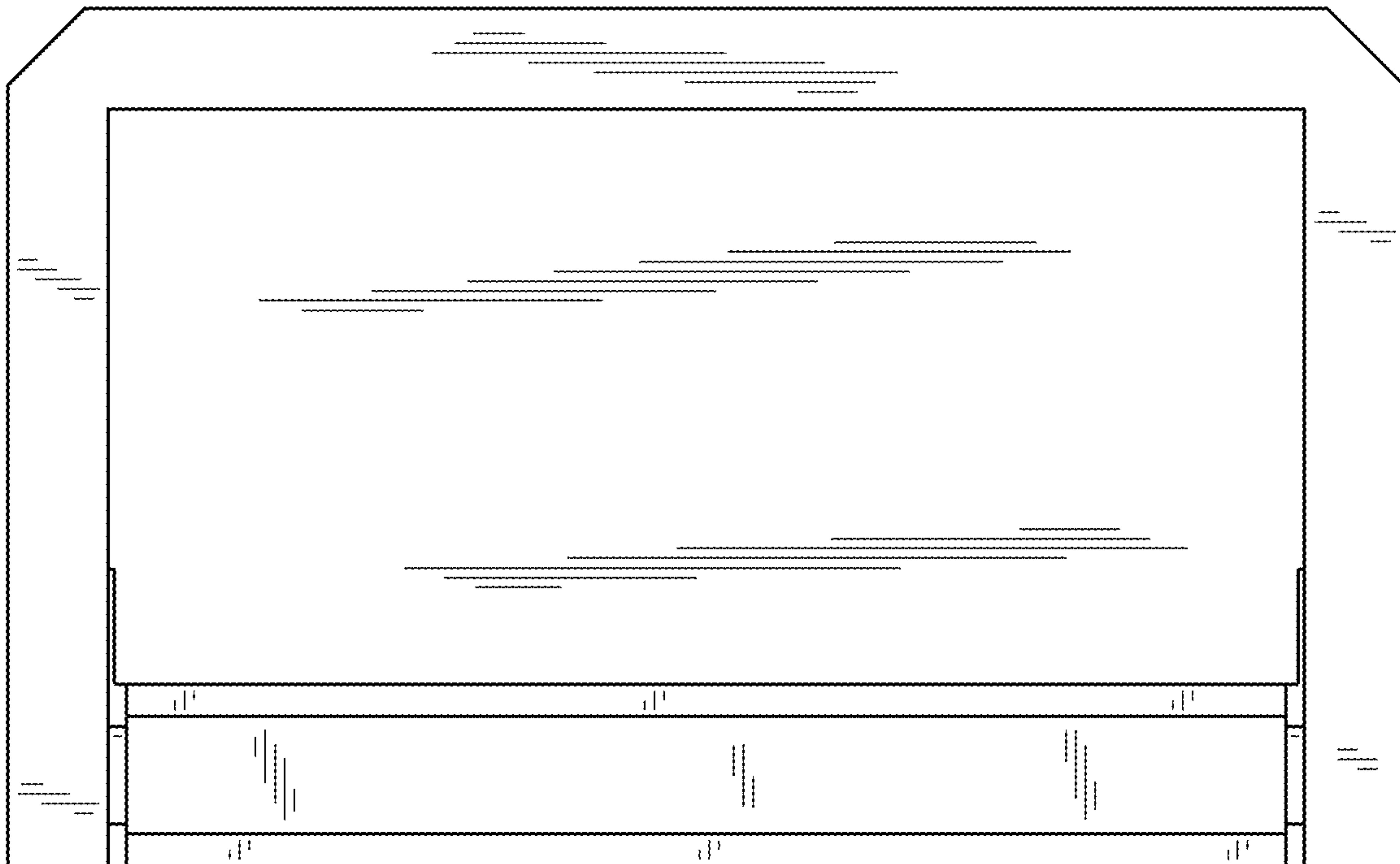


FIG. 7

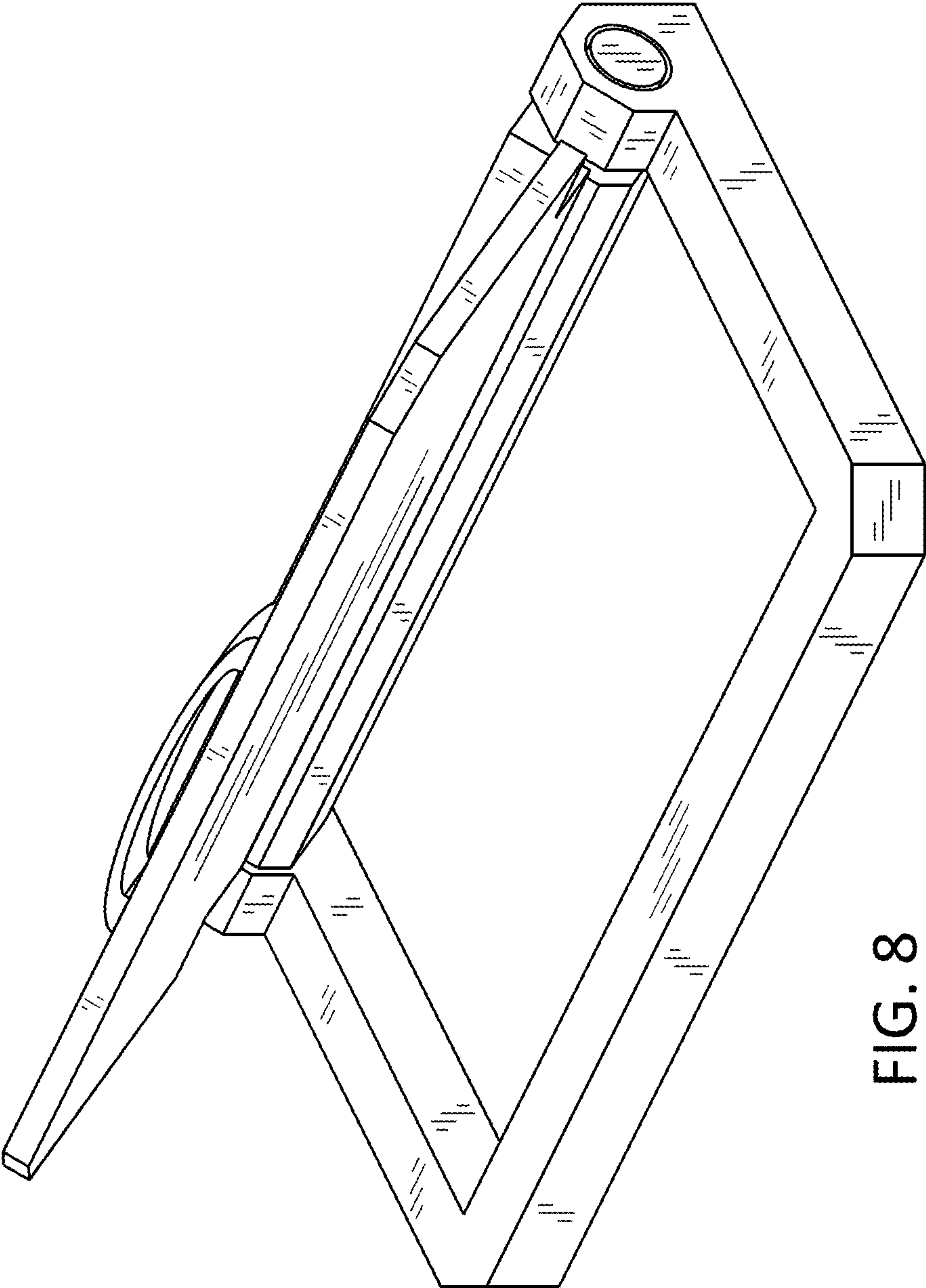


FIG. 8