

US00D963748S

(12) **United States Design Patent** (10) **Patent No.:** **US D963,748 S**
Tango (45) **Date of Patent:** **** Sep. 13, 2022**

(54) **GAME ADD-ON**
(71) Applicant: **Mark Tango**, Freehold, NJ (US)
(72) Inventor: **Mark Tango**, Freehold, NJ (US)
(73) Assignee: **let em fly LLC**, Freehold, NJ (US)
(**) Term: **15 Years**
(21) Appl. No.: **29/771,581**
(22) Filed: **Feb. 24, 2021**
(51) **LOC (13) Cl.** **21-01**
(52) **U.S. Cl.**
USPC **D21/303**
(58) **Field of Classification Search**
USPC D21/300–307, 319, 335, 312, 322, 324,
D21/342, 386, 699, 705, 731, 771, 780,
D21/789, 790, 791, 804, 805; 473/164,
473/172, 197, 436
CPC A63B 63/00; A63B 71/022; A63B 65/00;
A63B 1/00; A63B 67/00; A63B 63/04;
A63B 63/045; A63F 1/067; A47B 25/00
See application file for complete search history.

(56) **References Cited**
U.S. PATENT DOCUMENTS
738,401 A * 9/1903 Branham A63B 67/083
D21/303
1,687,217 A * 10/1928 Kurtz A63B 57/357
473/185
1,715,581 A * 6/1929 Usami A63F 7/0005
273/125 R
D245,798 S * 9/1977 Norden D21/303
D281,084 S * 10/1985 Norton D21/303
4,982,966 A * 1/1991 Teafatiller A63B 67/06
273/338
D321,214 S * 10/1991 Olson D21/303
D369,188 S * 4/1996 Briggs D21/322

D688,749 S * 8/2013 Pavony D21/303
D706,353 S * 6/2014 Montenare D21/303
2005/0051968 A1 * 3/2005 Froesel A63B 67/06
273/400
2006/0061034 A1 * 3/2006 Poffenberger A63F 11/0051
273/287
2009/0115136 A1 * 5/2009 Voden A63B 21/0054
273/245
2012/0235356 A1 * 9/2012 Weiss A63F 1/04
273/398

(Continued)

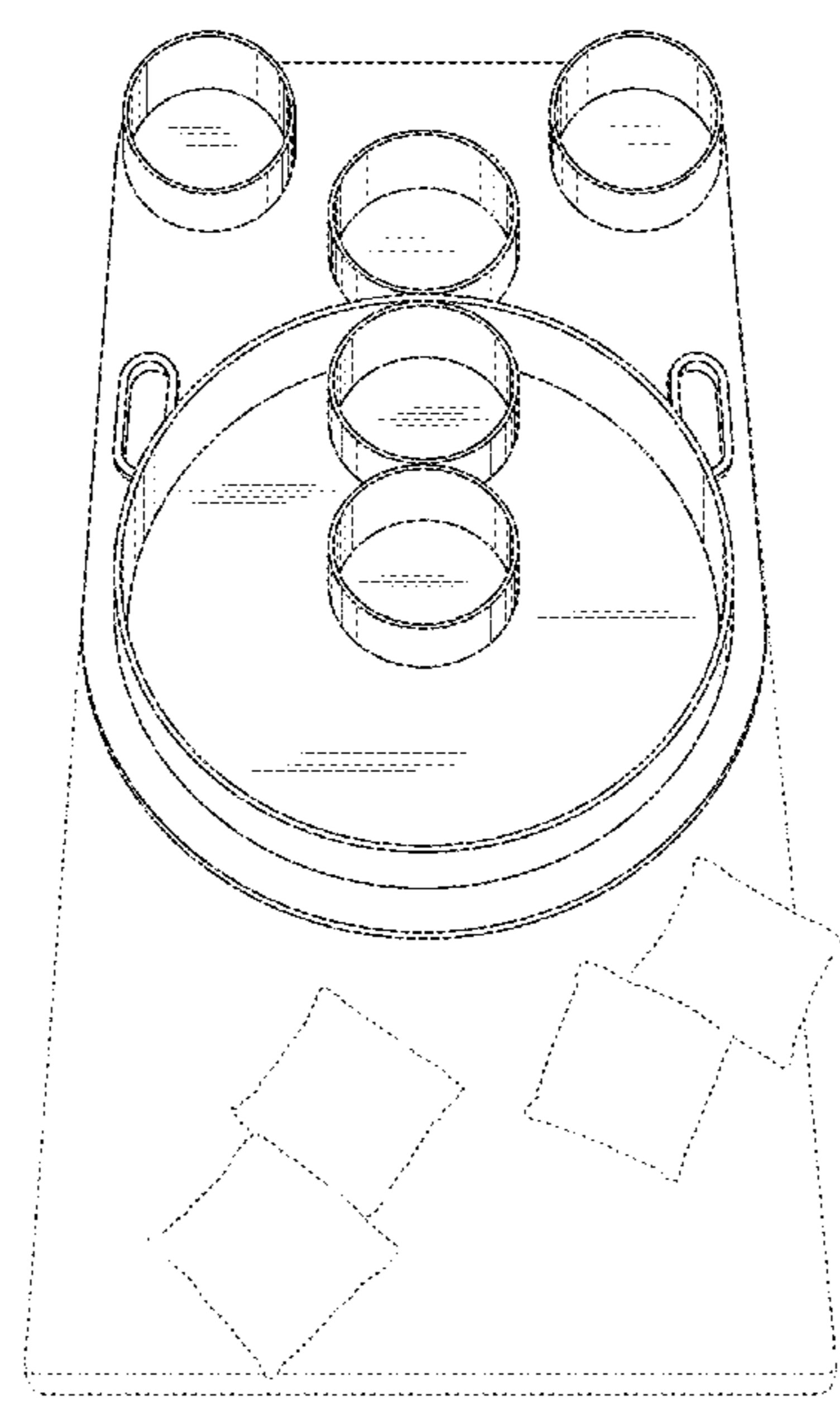
Primary Examiner — Mehri F Bajoul
(74) *Attorney, Agent, or Firm* — Brian K. Johnson, Esq.,
LLC

(57) **CLAIM**
The ornamental design for a game add-on, as shown and
described.

DESCRIPTION

A portion of the disclosure of this patent document may
contain material, which is subject to copyright protection.
The owner has no objection to the facsimile reproduction by
any one of the patent document or the patent disclosure, as
it appears in the Patent and Trademark Office patent file or
records, but otherwise reserves all copyrights whatsoever.
FIG. 1 is a top front perspective view of a game add-on of
the present invention;
FIG. 2 is a top plan view thereof;
FIG. 3 is a bottom plan view thereof;
FIG. 4 is a rear elevational view thereof;
FIG. 5 is a bottom plan view thereof;
FIG. 6 is a right elevational view thereof;
FIG. 7 is a left elevational view thereof; and,
FIG. 8 is a top front perspective view showing the claimed
design in environment of use.
The broken lines in, FIG. 8, depict environmental structure
of the game add-on and form no part of the claimed design.

1 Claim, 4 Drawing Sheets



(56)

References Cited

U.S. PATENT DOCUMENTS

2021/0038958 A1* 2/2021 Kowtko A63B 63/08
2021/0060399 A1* 3/2021 Dingel A63B 67/06

* cited by examiner

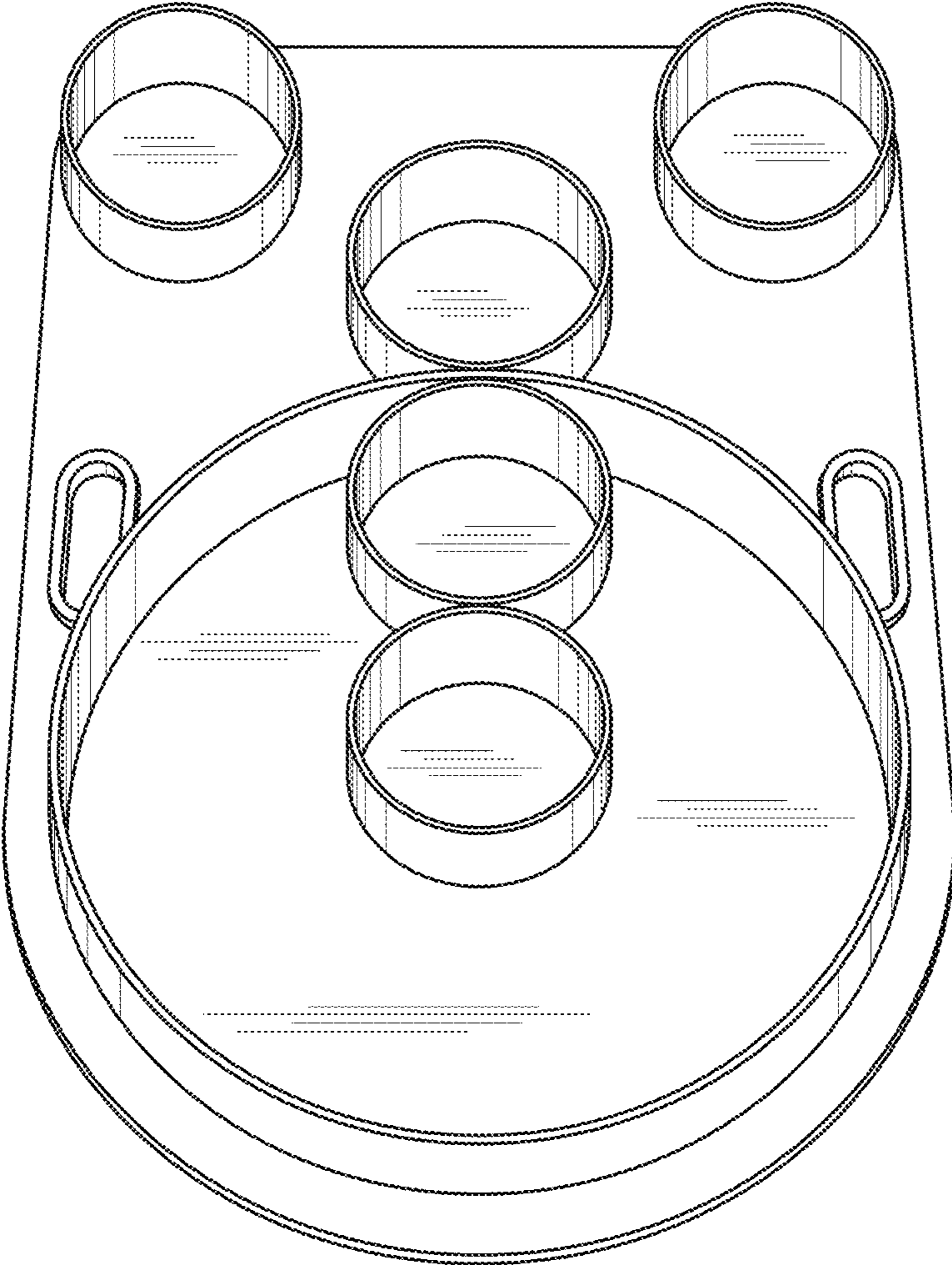


FIG. 1

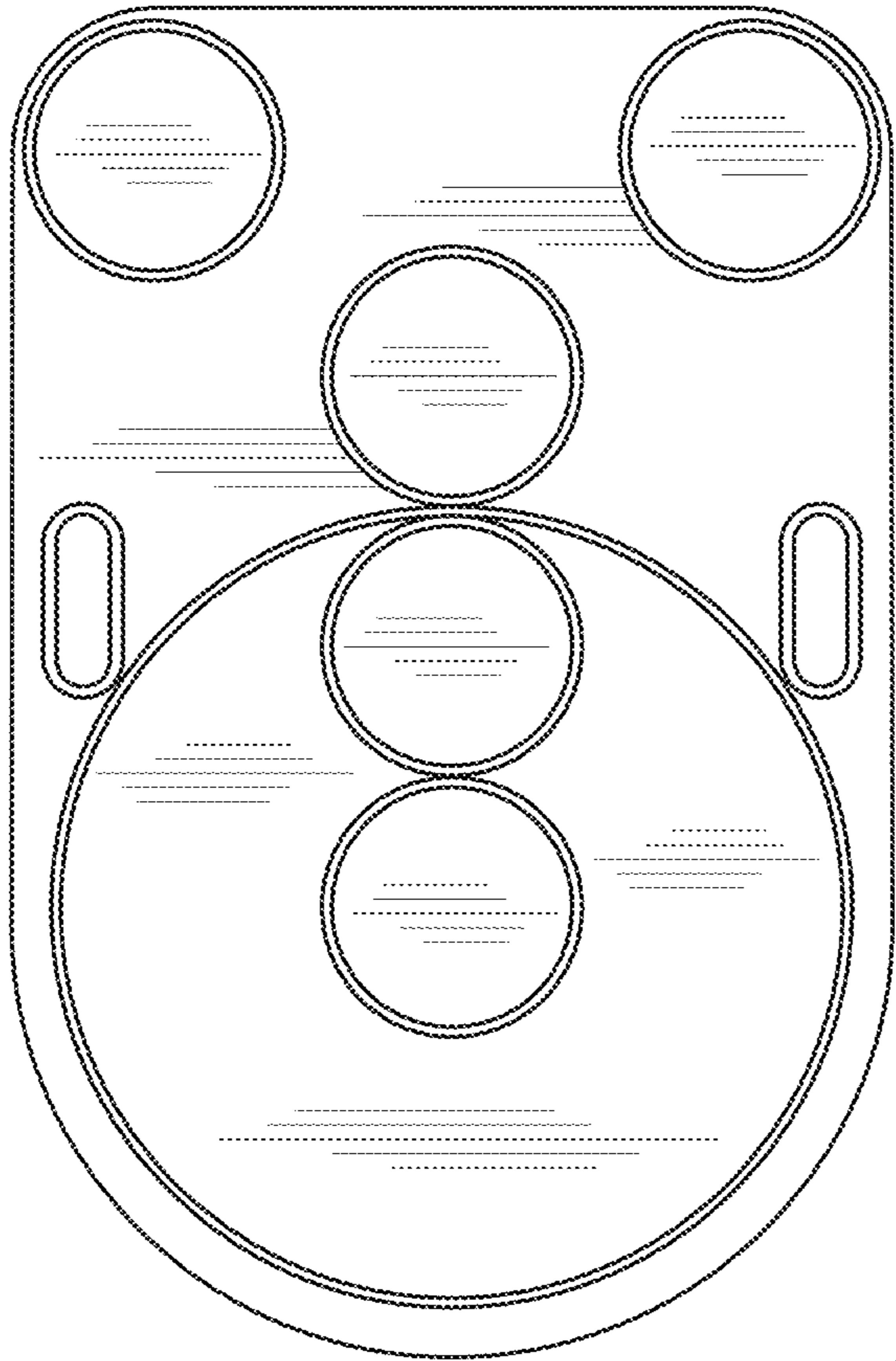


FIG. 2

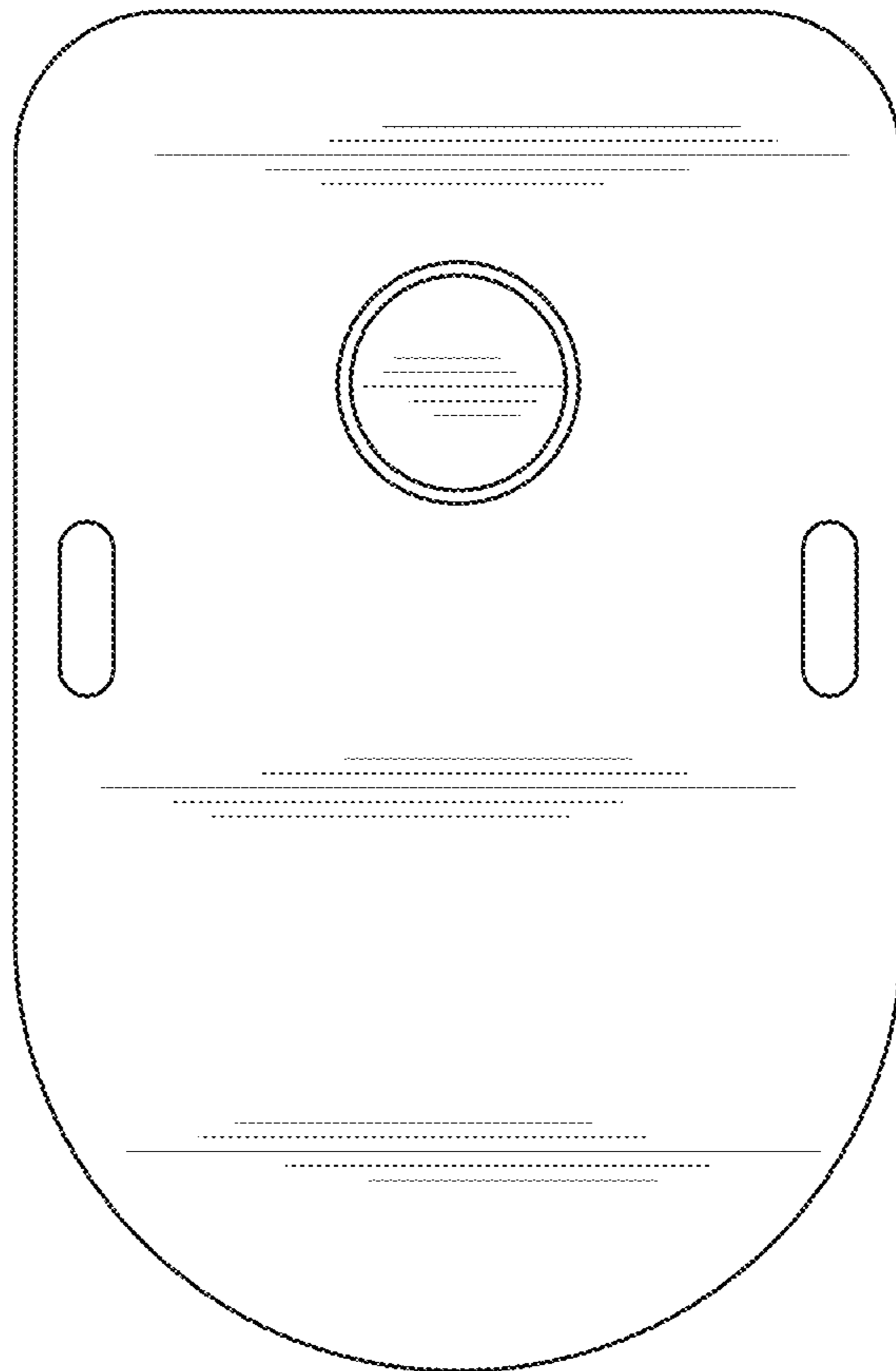


FIG. 3

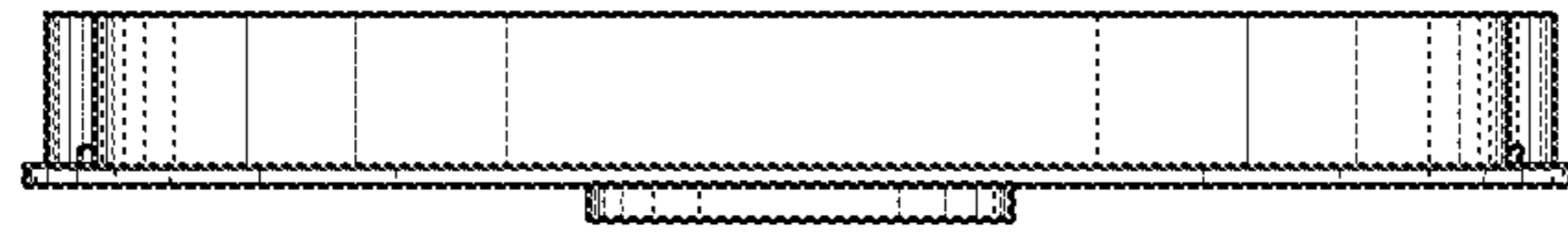


FIG. 4



FIG. 5

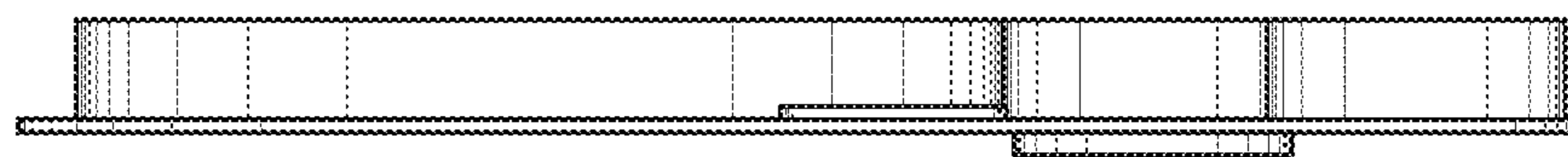


FIG. 6

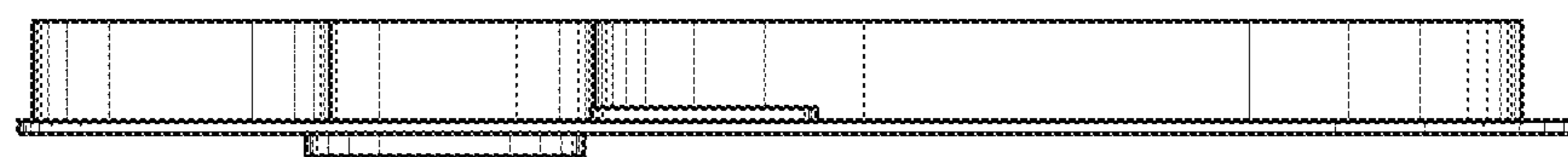


FIG. 7

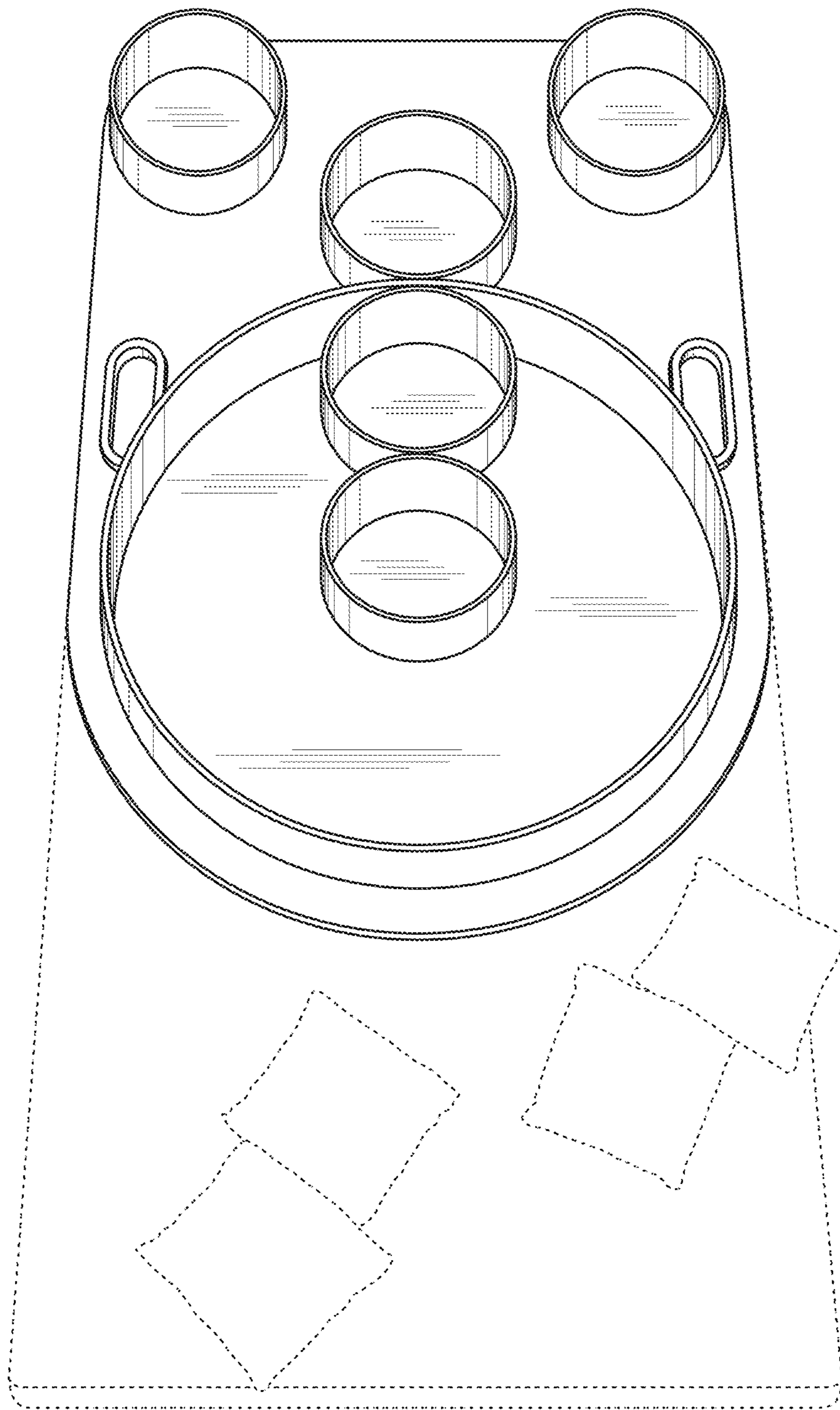


FIG. 8