



US00D963744S

(12) **United States Design Patent** (10) **Patent No.:** **US D963,744 S**  
**Miyawaki** (45) **Date of Patent:** **\*\* Sep. 13, 2022**

(54) **PRINTER**

(71) Applicant: **SEIKO INSTRUMENTS INC.**, Chiba (JP)

(72) Inventor: **Kohei Miyawaki**, Chiba (JP)

(73) Assignee: **SEIKO INSTRUMENTS, INC.**, Chiba (JP)

(\*\*) Term: **15 Years**

(21) Appl. No.: **29/743,318**

(22) Filed: **Jul. 21, 2020**

(30) **Foreign Application Priority Data**

Jan. 21, 2020 (JP) ..... 2020000938 D

(51) **LOC (13) Cl.** ..... **18-02**

(52) **U.S. Cl.**  
USPC ..... **D18/58**

(58) **Field of Classification Search**  
USPC ..... D14/300, 301, 302, 303, 307, 308, 314,  
D14/321, 365, 445, 446; D18/4.1, 4.4,  
D18/4.6, 34.1, 6, 7, 14, 19, 34.3, 34.7,  
D18/34.8, 34.9, 36, 37, 38, 39, 46, 47,  
D18/48, 49, 50, 53, 54, 55, 56  
CPC .... H04N 1/00278; B26D 1/045; B26D 1/065;  
B41J 15/044; B41J 2/1752; B41J 29/02;  
G06F 3/02

See application file for complete search history.

(56) **References Cited**

**U.S. PATENT DOCUMENTS**

D585,483 S \* 1/2009 Sakabe ..... D18/43  
D588,190 S \* 3/2009 Kamimura ..... D18/43  
D596,663 S \* 7/2009 Kamimura ..... D18/43  
D689,924 S \* 9/2013 Sakai ..... D18/14  
D722,336 S \* 2/2015 Suzuki ..... D18/43  
D729,311 S \* 5/2015 Campanini ..... D18/50

D765,164 S \* 8/2016 Park ..... D18/43  
D779,589 S \* 2/2017 Moon ..... D18/56  
D791,227 S \* 7/2017 Yokoyama ..... D18/43  
D807,429 S \* 1/2018 Ando ..... D18/56  
D823,383 S \* 7/2018 Miyauchi ..... D18/53  
D823,384 S \* 7/2018 Miyauchi ..... D18/53

**FOREIGN PATENT DOCUMENTS**

CN 305947622 \* 7/2020

**OTHER PUBLICATIONS**

LTP02-245 \_ Seiko Instruments, p. 1, 2021 GmbH-29743318-https://www.seiko-instruments.de/products/thermal-printers/ltp02-245.html?cHash=7089e5e2d80257b46f5f81246223c869 (Year: 2021).\*

\* cited by examiner

*Primary Examiner* — Jennifer L Rempfer

*Assistant Examiner* — Danielle Nichole Bowly

(74) *Attorney, Agent, or Firm* — Brooks Kushman P.C.

(57) **CLAIM**

The ornamental design for a printer, as shown and described.

**DESCRIPTION**

FIG. 1 is a front, top and right-side perspective view of printer showing the new design;  
FIG. 2 is a front, top and left-side perspective view thereof;  
FIG. 3 is a front, bottom and right-side perspective view thereof;  
FIG. 4 is a front, bottom and left-side perspective view thereof;  
FIG. 5 is a front view thereof;  
FIG. 6 is a rear view thereof;  
FIG. 7 is a right-side view thereof;  
FIG. 8 is a left-side view thereof;  
FIG. 9 is a top view thereof; and,  
FIG. 10 is a bottom view thereof.

**1 Claim, 10 Drawing Sheets**

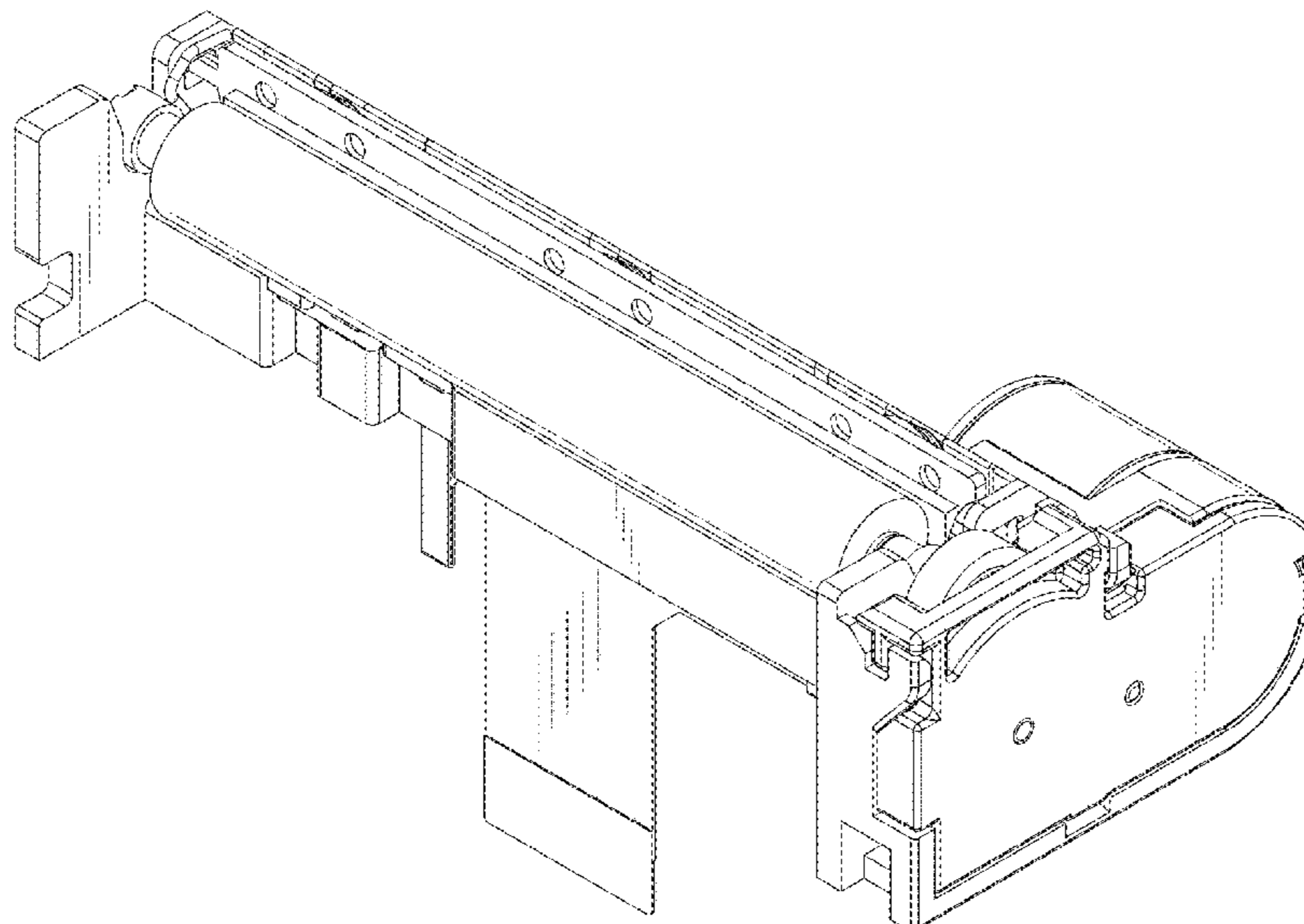


FIG.1

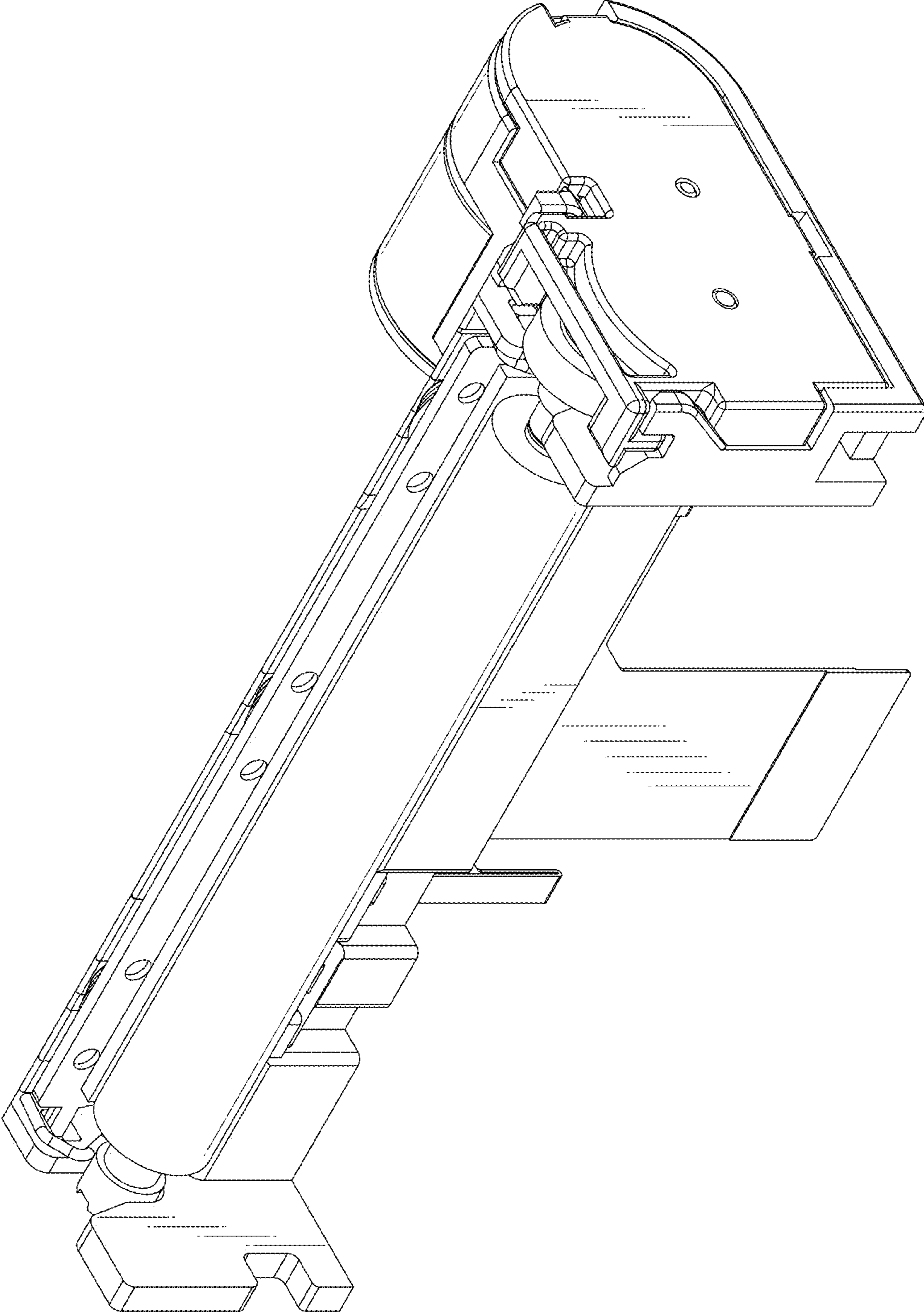


FIG.2

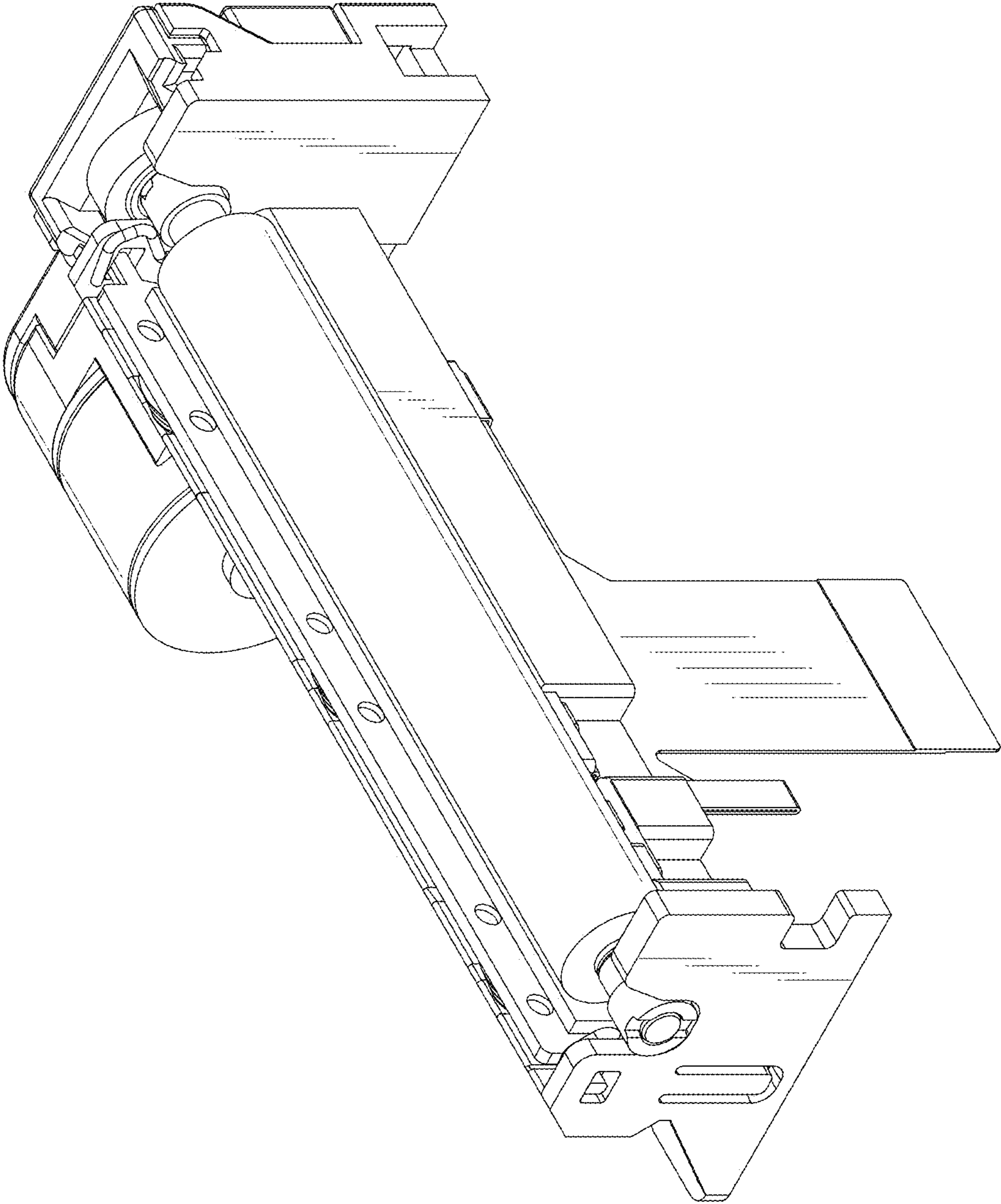


FIG.3

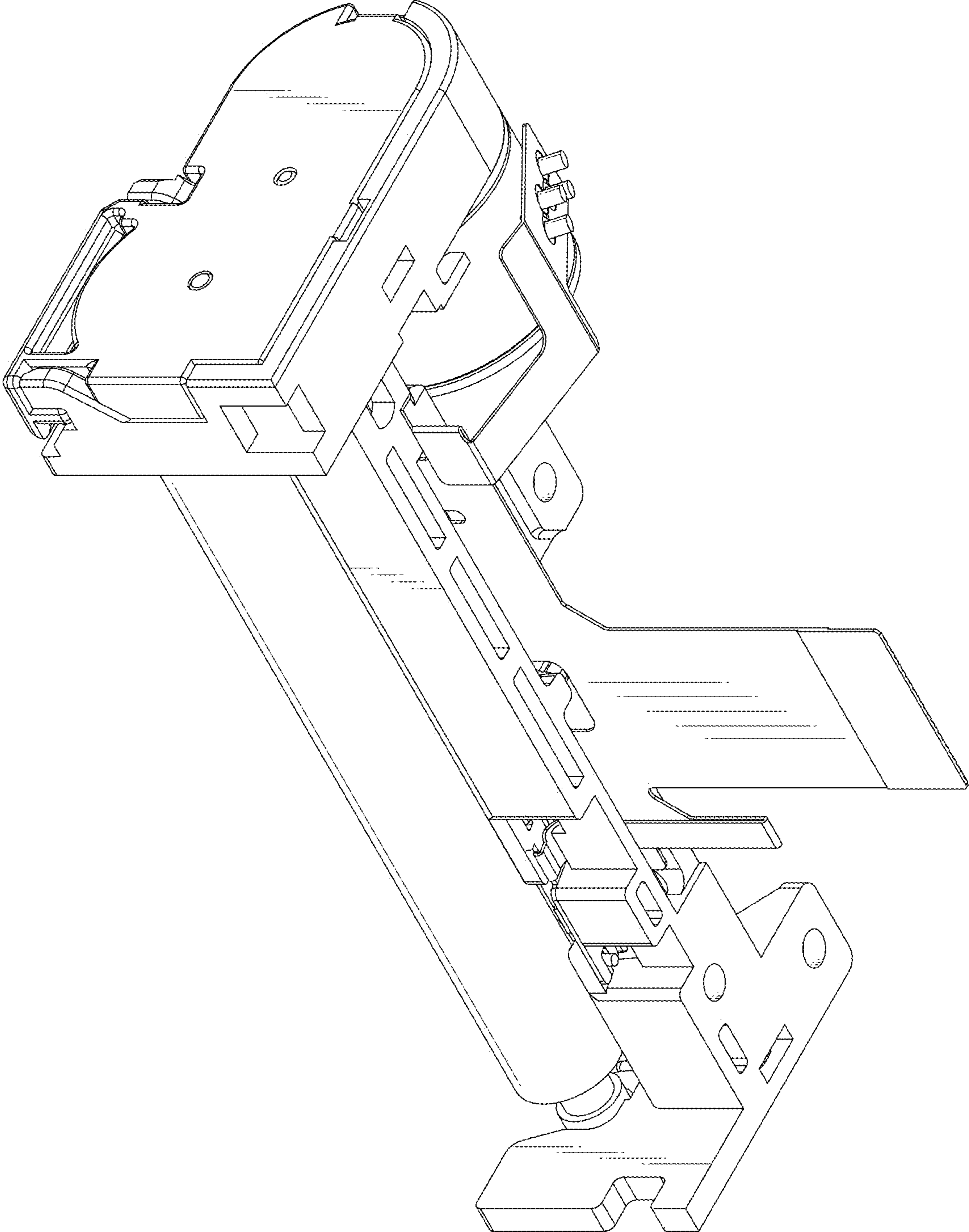


FIG.4

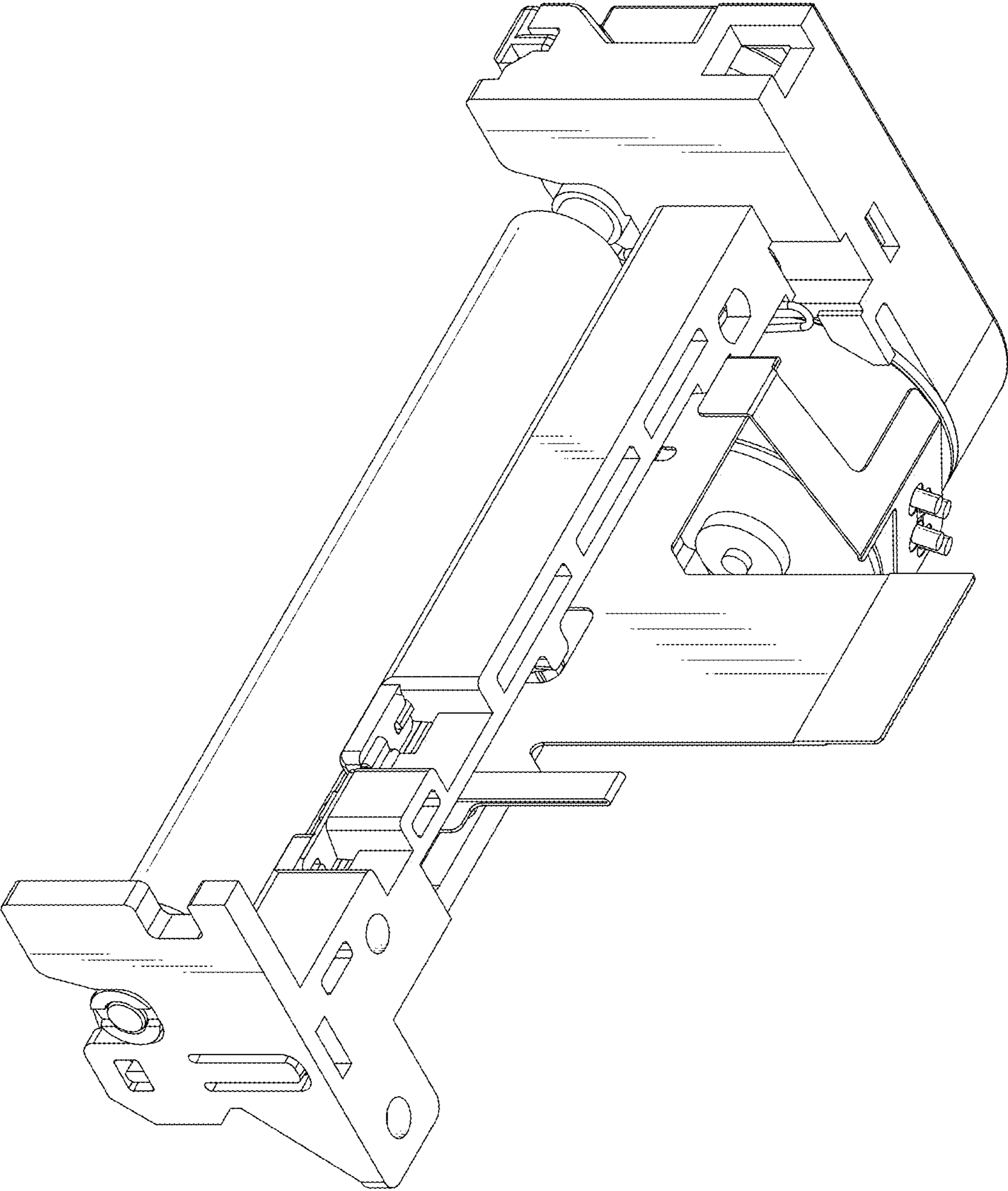


FIG.5

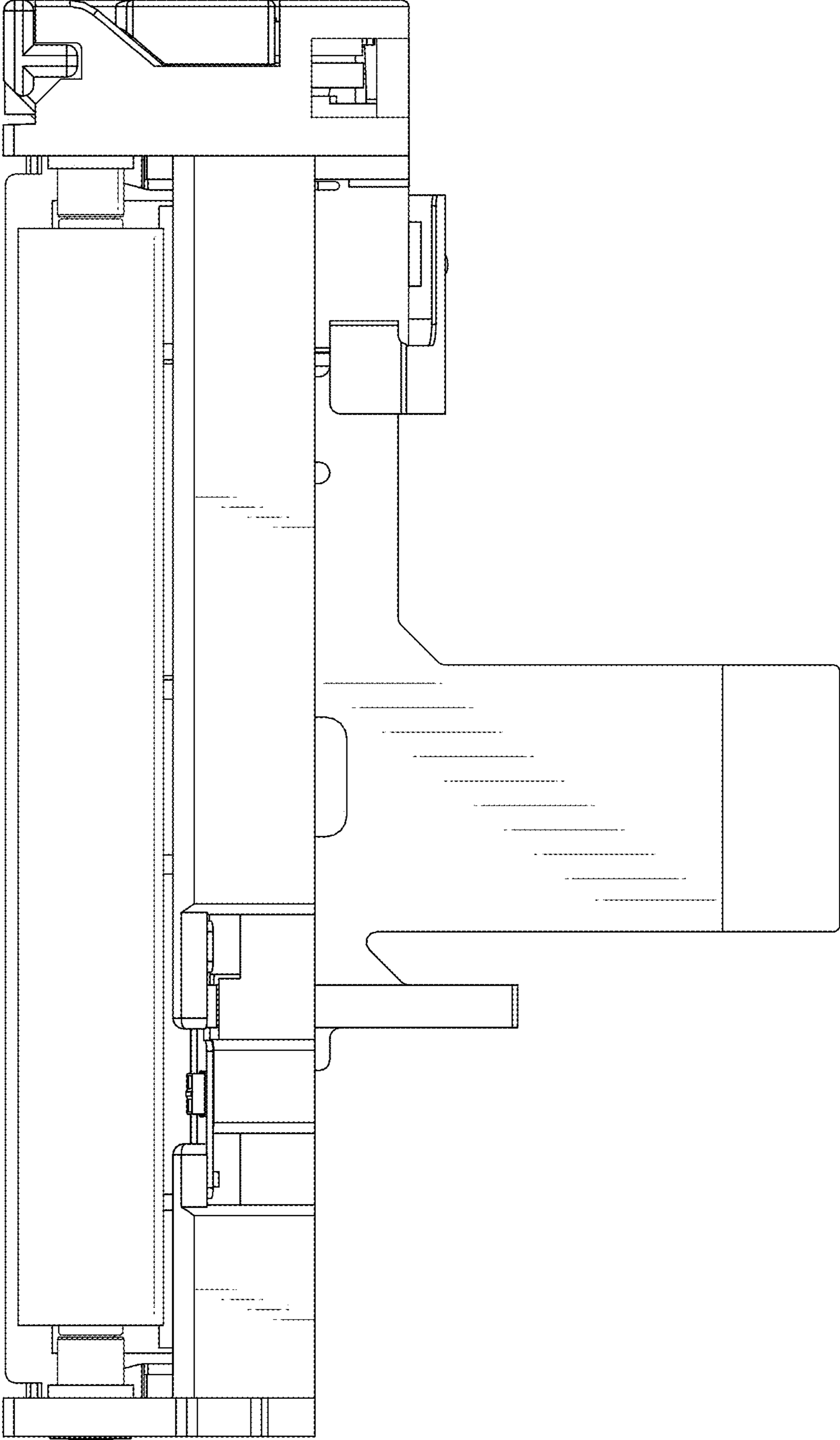


FIG.6

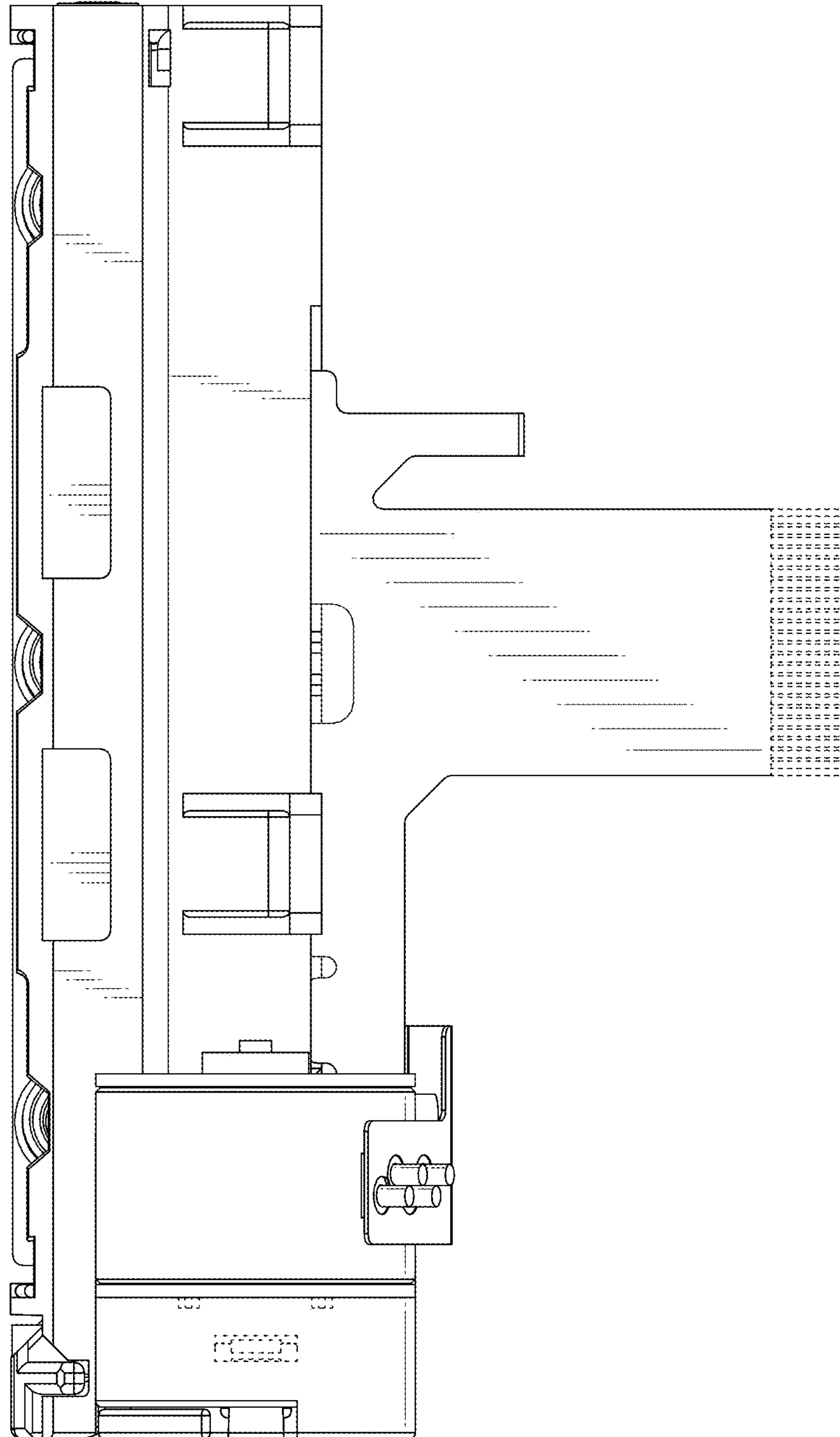


FIG.7

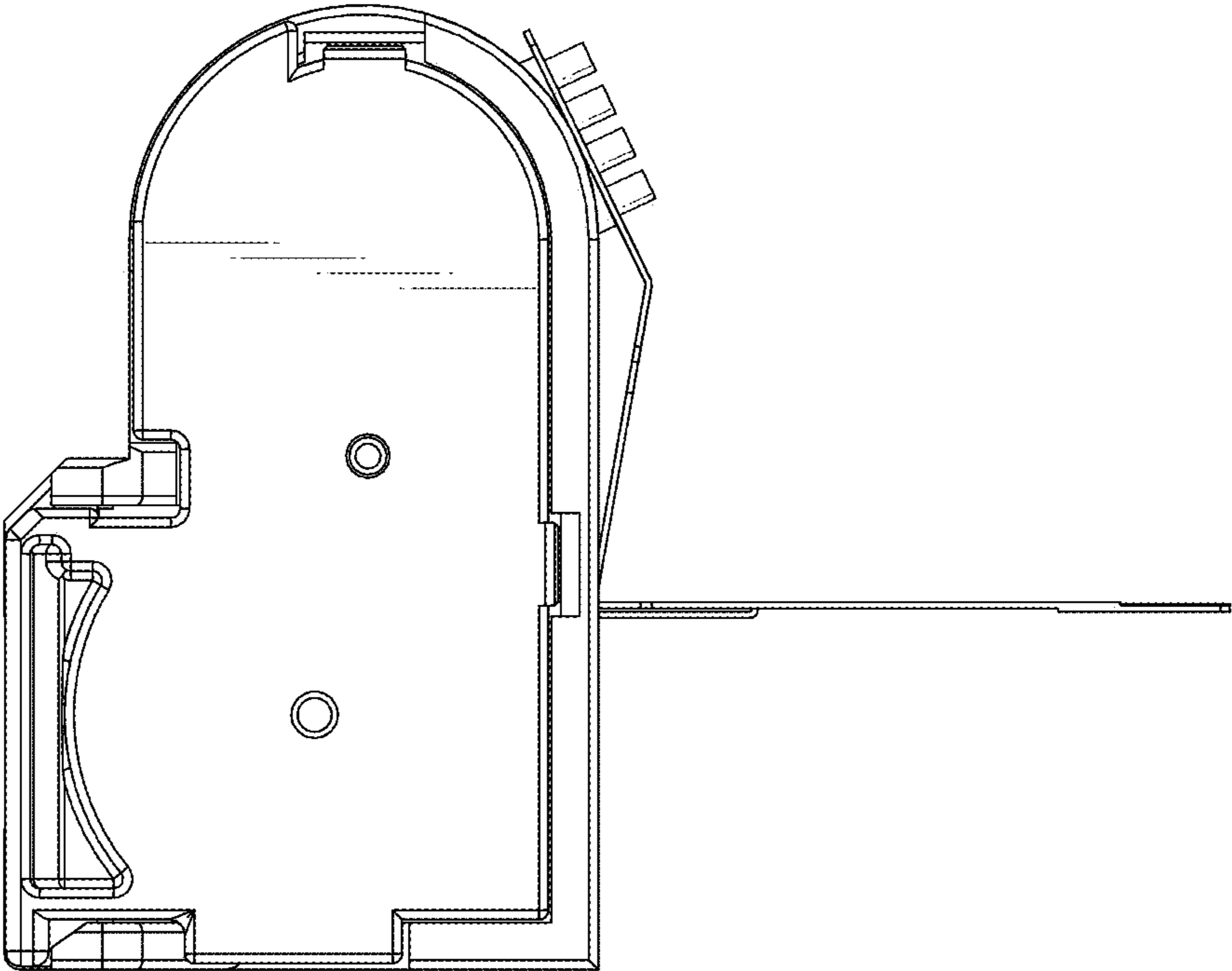




FIG.8

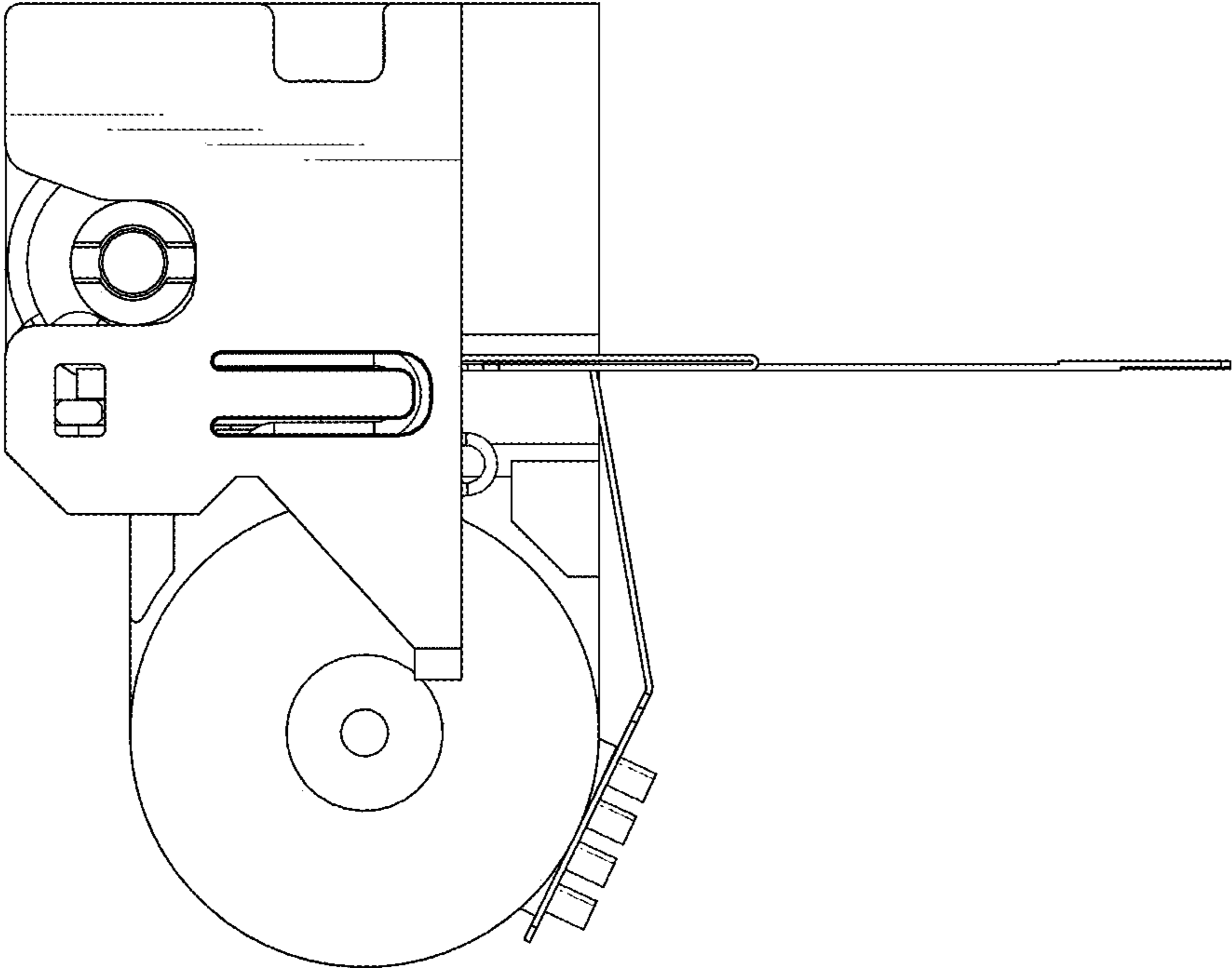


FIG.9

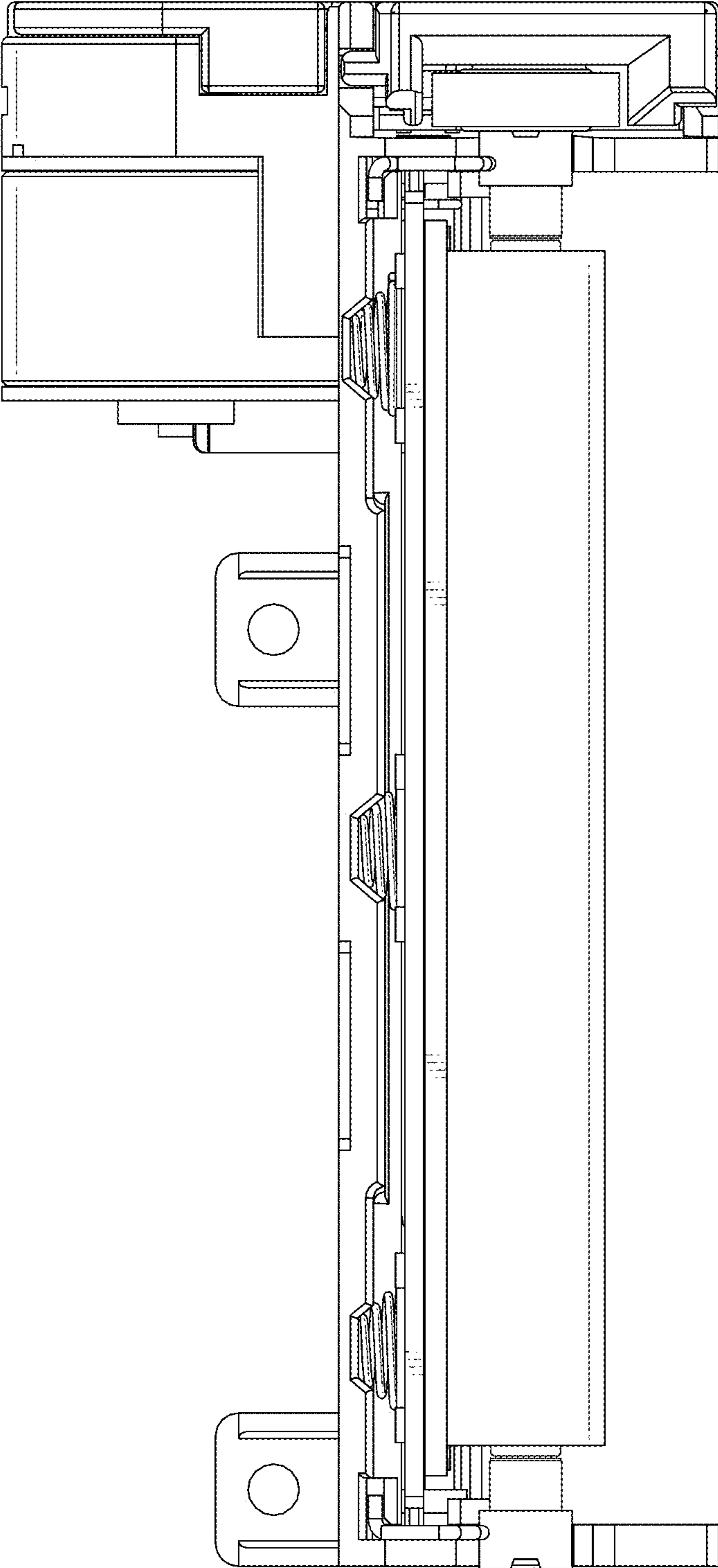


FIG.10

