



US00D963740S

(12) **United States Design Patent**  
**Tomsky**

(10) **Patent No.:** **US D963,740 S**

(45) **Date of Patent:** **\*\* Sep. 13, 2022**

(54) **GUITAR**

(71) Applicant: **Jan Tomsky**, Stuttgart (DE)

(72) Inventor: **Jan Tomsky**, Stuttgart (DE)

(\*\*) Term: **15 Years**

(21) Appl. No.: **29/685,174**

(22) Filed: **Mar. 27, 2019**

(51) **LOC (13) Cl.** ..... **17-03**

(52) **U.S. Cl.**  
USPC ..... **D17/14**

(58) **Field of Classification Search**  
USPC ..... D17/14, 18, 19, 20, 21, 99  
CPC .. G10D 1/00; G10D 1/04; G10D 1/05; G10D  
1/06; G10D 1/08; G10D 1/10; G10D  
3/00; G10D 3/04; G10D 3/06; G10D  
3/12; G10D 3/14; G10D 3/147  
See application file for complete search history.

(56) **References Cited**

**U.S. PATENT DOCUMENTS**

3,785,239	A *	1/1974	Smith	.....	G10D 1/08 84/314 R
4,304,277	A *	12/1981	Petillo	.....	G10D 1/08 144/350
4,320,684	A *	3/1982	Podunavac	.....	G10D 3/02 84/267
5,567,894	A *	10/1996	Shiomi	.....	G10D 1/08 84/267

D384,093	S *	9/1997	Oshima	.....	D17/14
6,822,156	B1 *	11/2004	Lazarus	.....	G10H 3/18 84/731
D536,029	S *	1/2007	Ching	.....	D17/14
D580,476	S *	11/2008	Fossey	.....	D17/19
D628,618	S *	12/2010	Tsai	.....	D17/14
D671,592	S *	11/2012	Rafalko, Jr.	.....	D17/19
D814,557	S *	4/2018	Canivell Grifols	.....	D17/20
2016/0314767	A1 *	10/2016	Lee	.....	G10D 3/00

\* cited by examiner

*Primary Examiner* — R. Johnson

(74) *Attorney, Agent, or Firm* — Furr Law Firm; Jeffrey M. Furr, Esq.

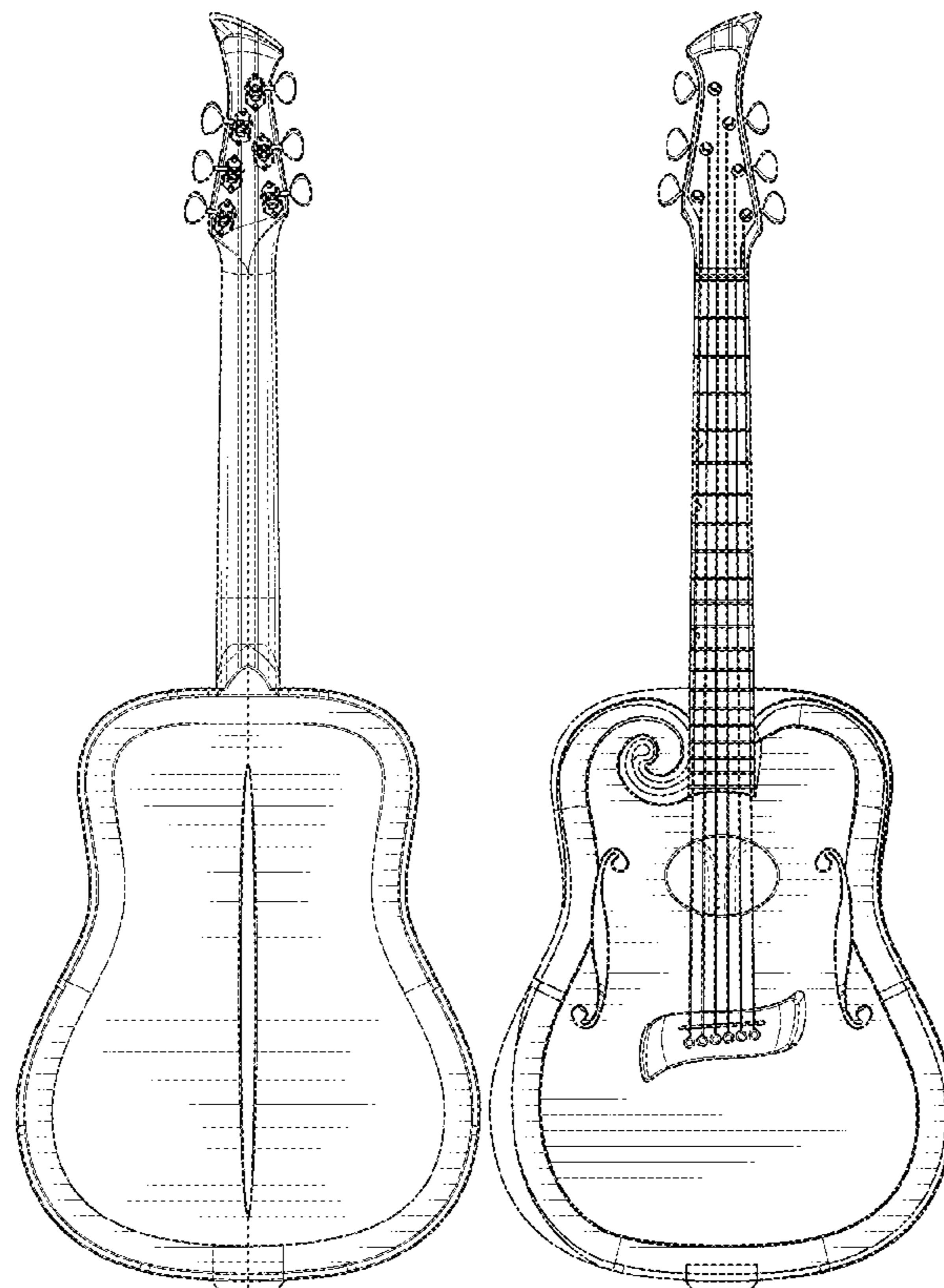
(57) **CLAIM**

The ornamental design for a guitar, as shown and described.

**DESCRIPTION**

FIG. 1 is a back view of a guitar showing my new design; FIG. 2 is a right side view thereof; FIG. 3 is a front view thereof; FIG. 4 is a left side view thereof; FIG. 5 is a bottom view thereof; FIG. 6 is a top view thereof; FIG. 7 is a front perspective view thereof; FIG. 8 is a back perspective view thereof; FIG. 9 is an enlarged, partial view of the headstock, taken at line-9 in FIG. 7; and, FIG. 10 is an enlarged, partial view thereof, taken at line-10 in FIG. 8.

**1 Claim, 5 Drawing Sheets**



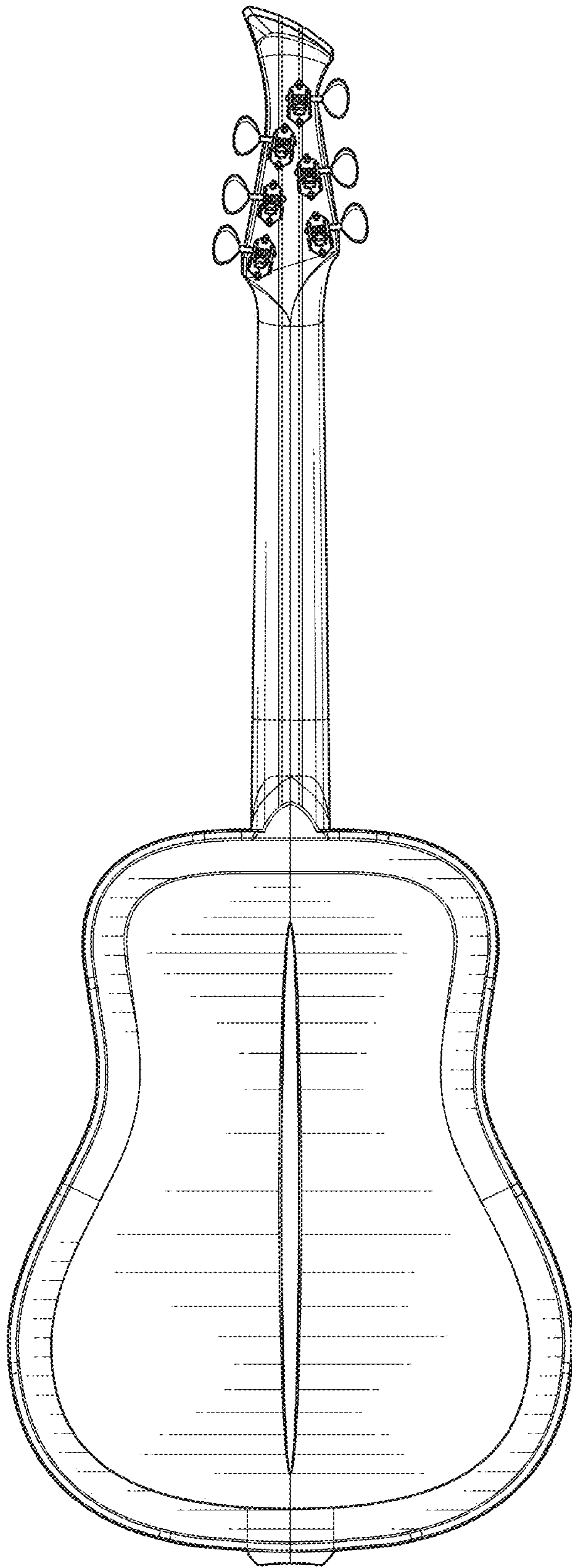


FIG. 1

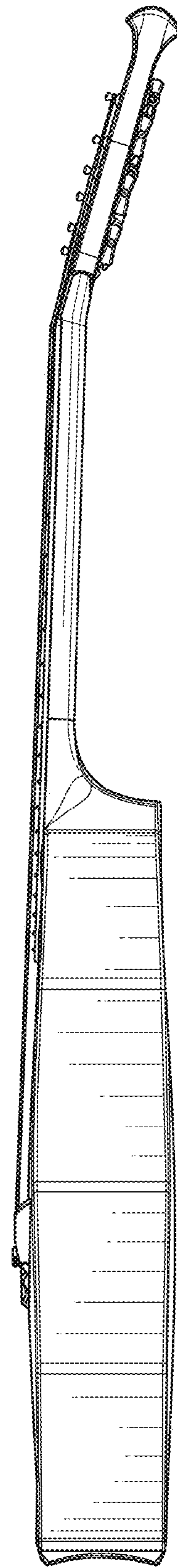


FIG. 2

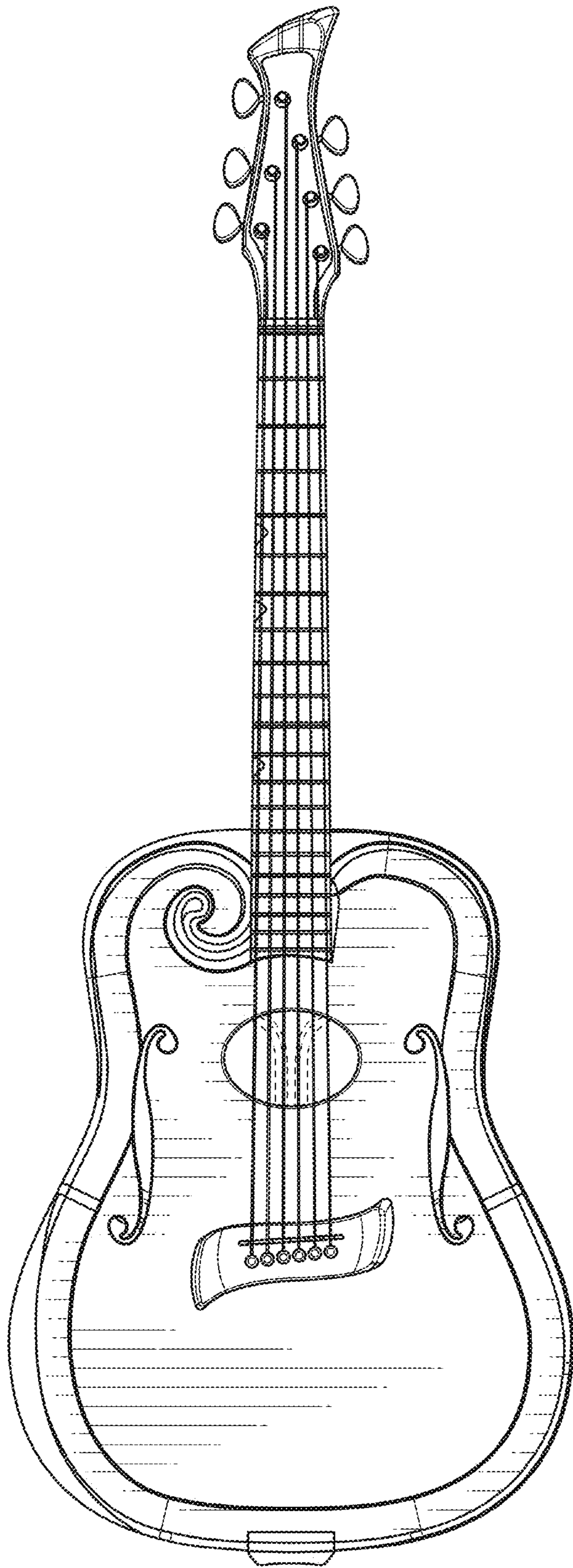


FIG. 3

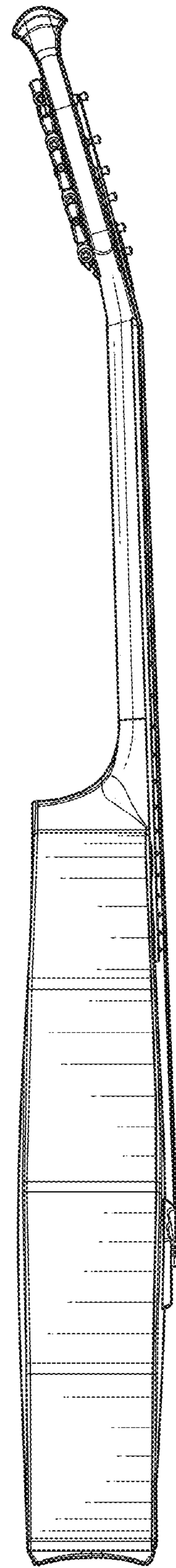


FIG. 4

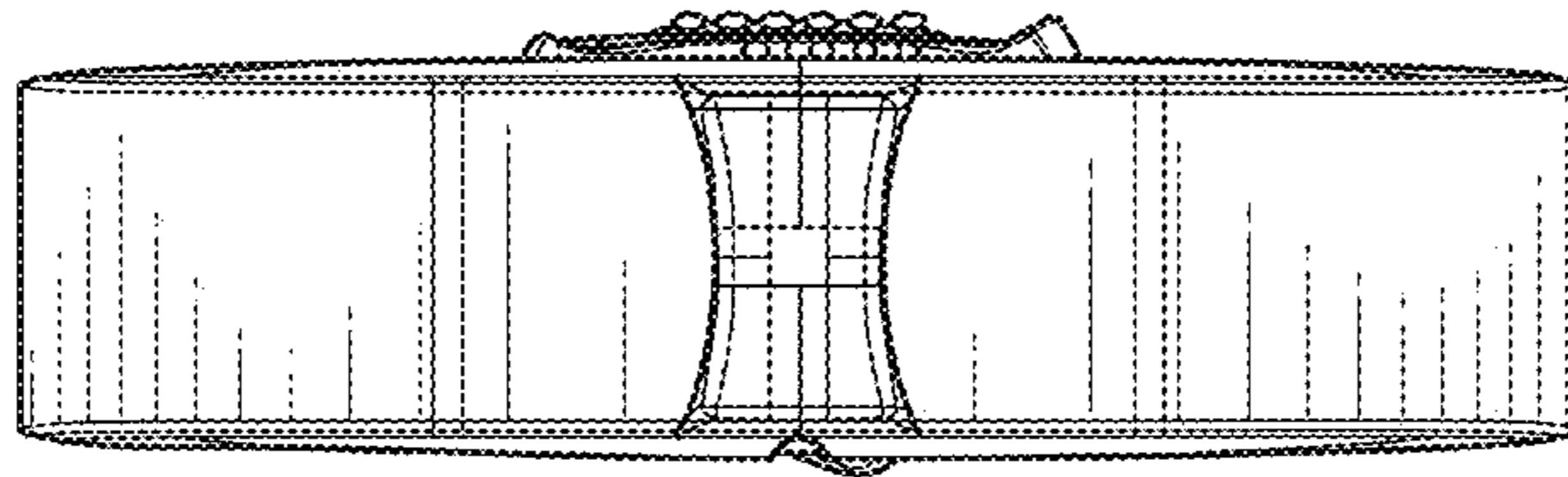


FIG. 5

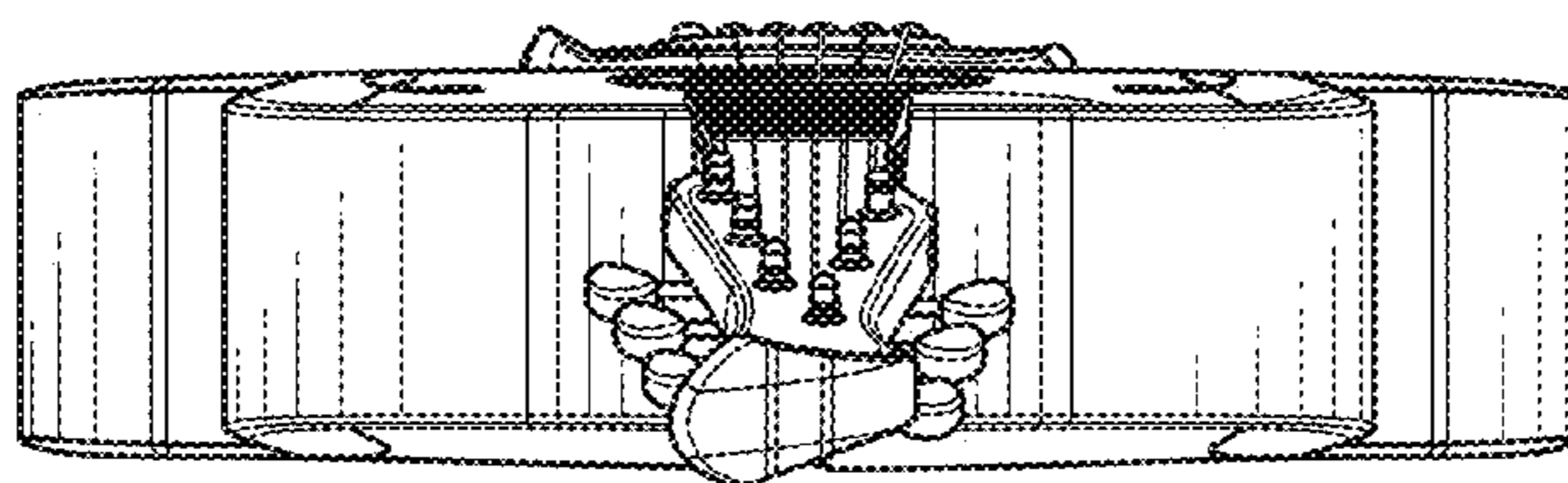


FIG. 6

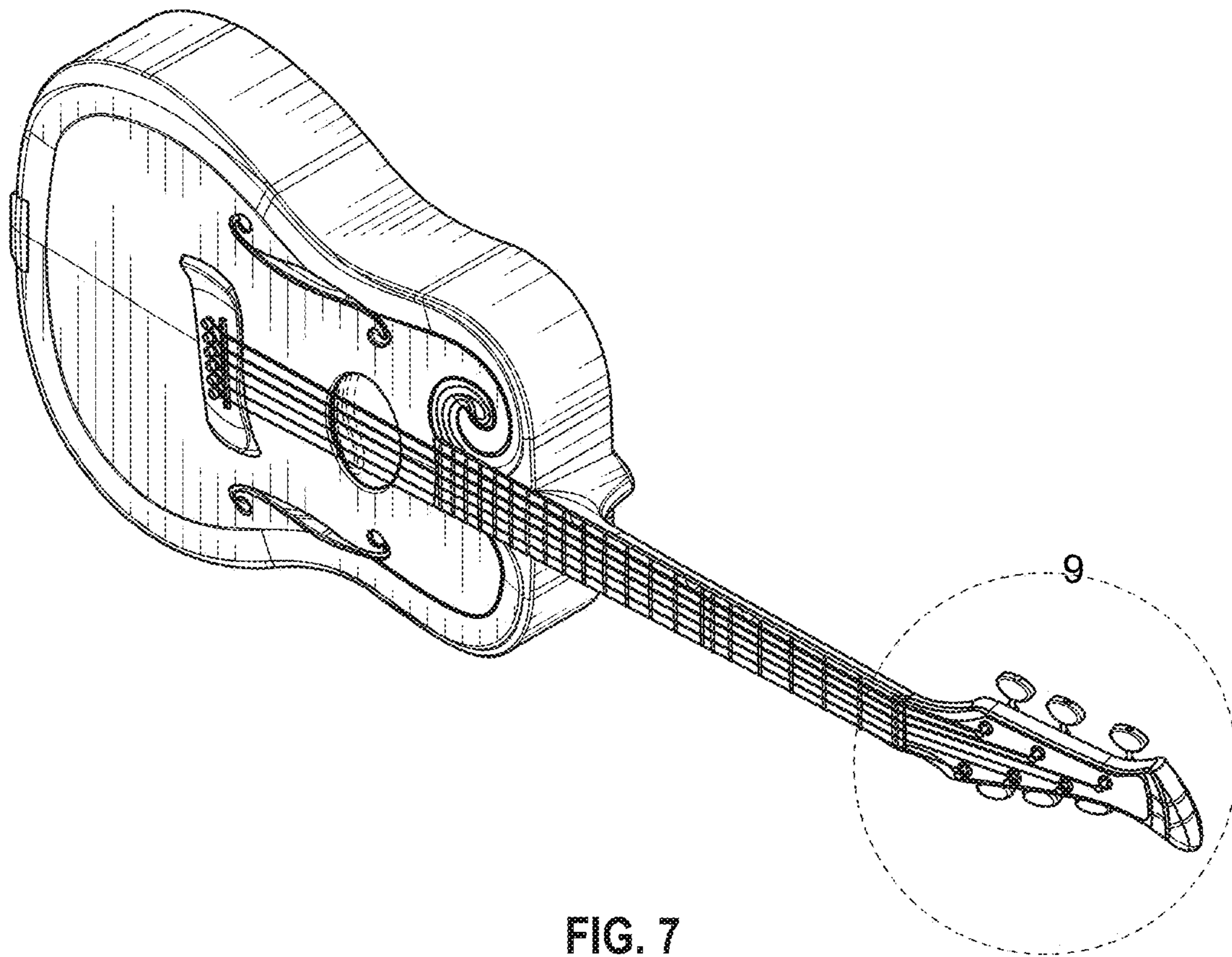


FIG. 7

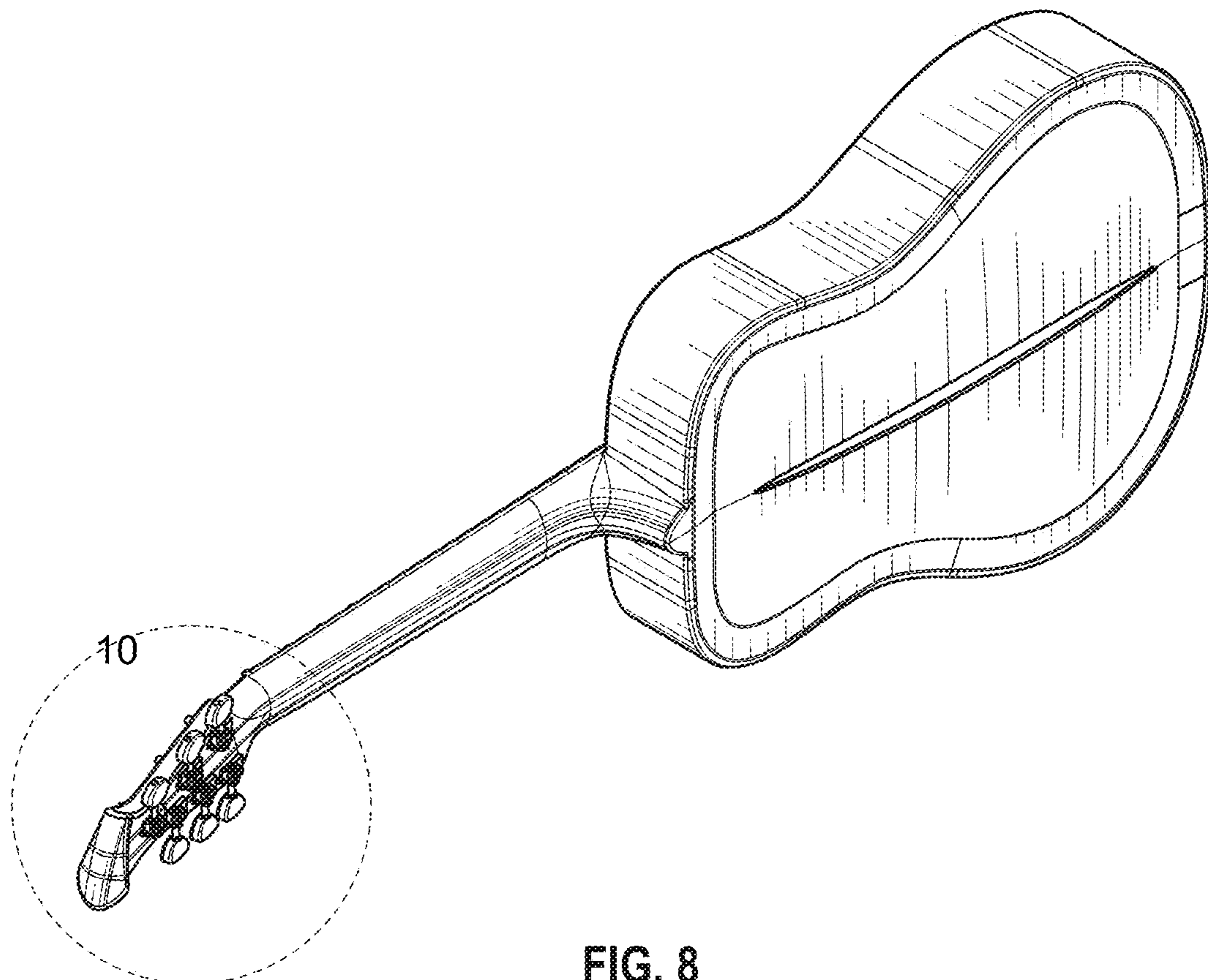


FIG. 8

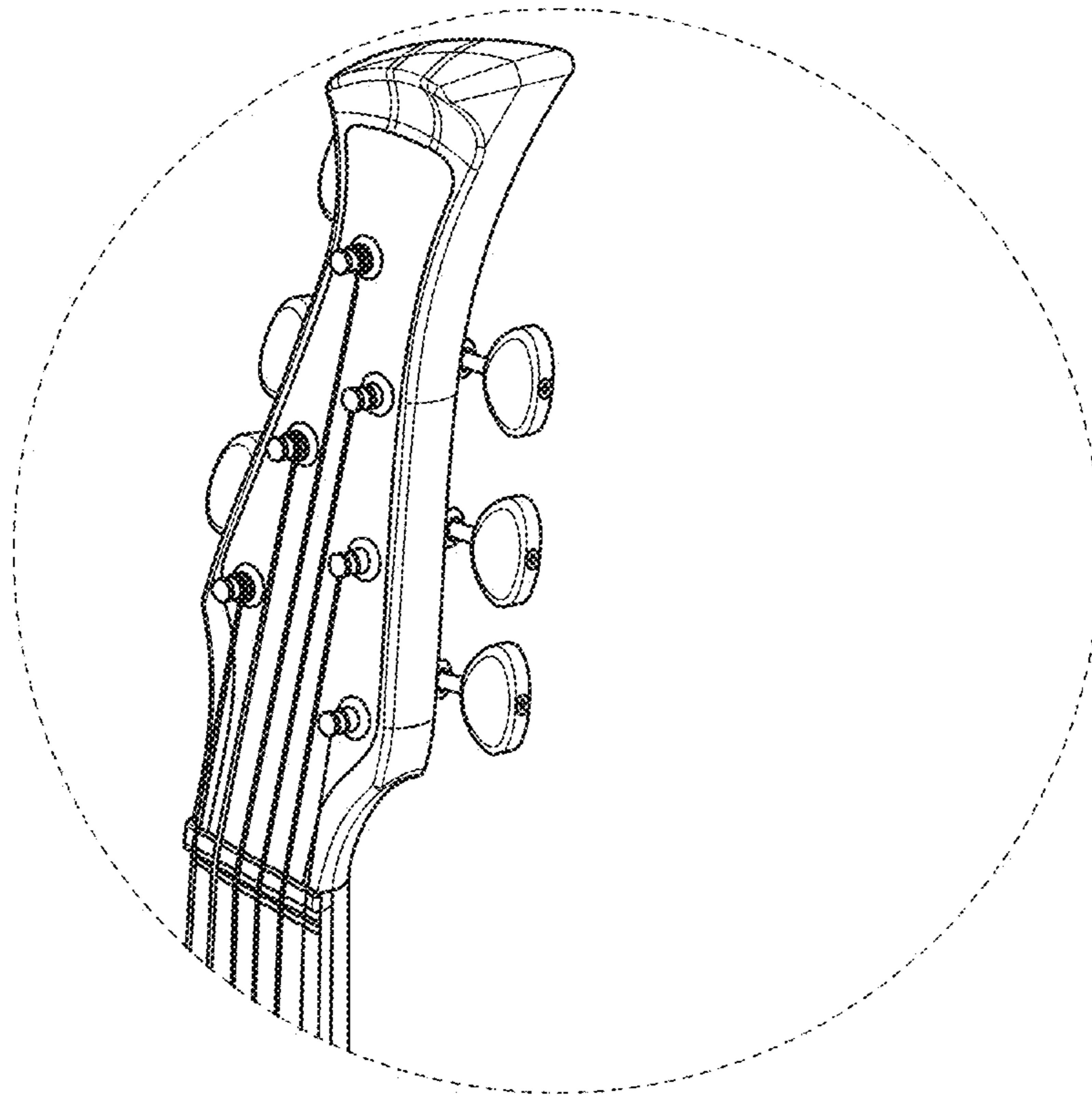


FIG. 9

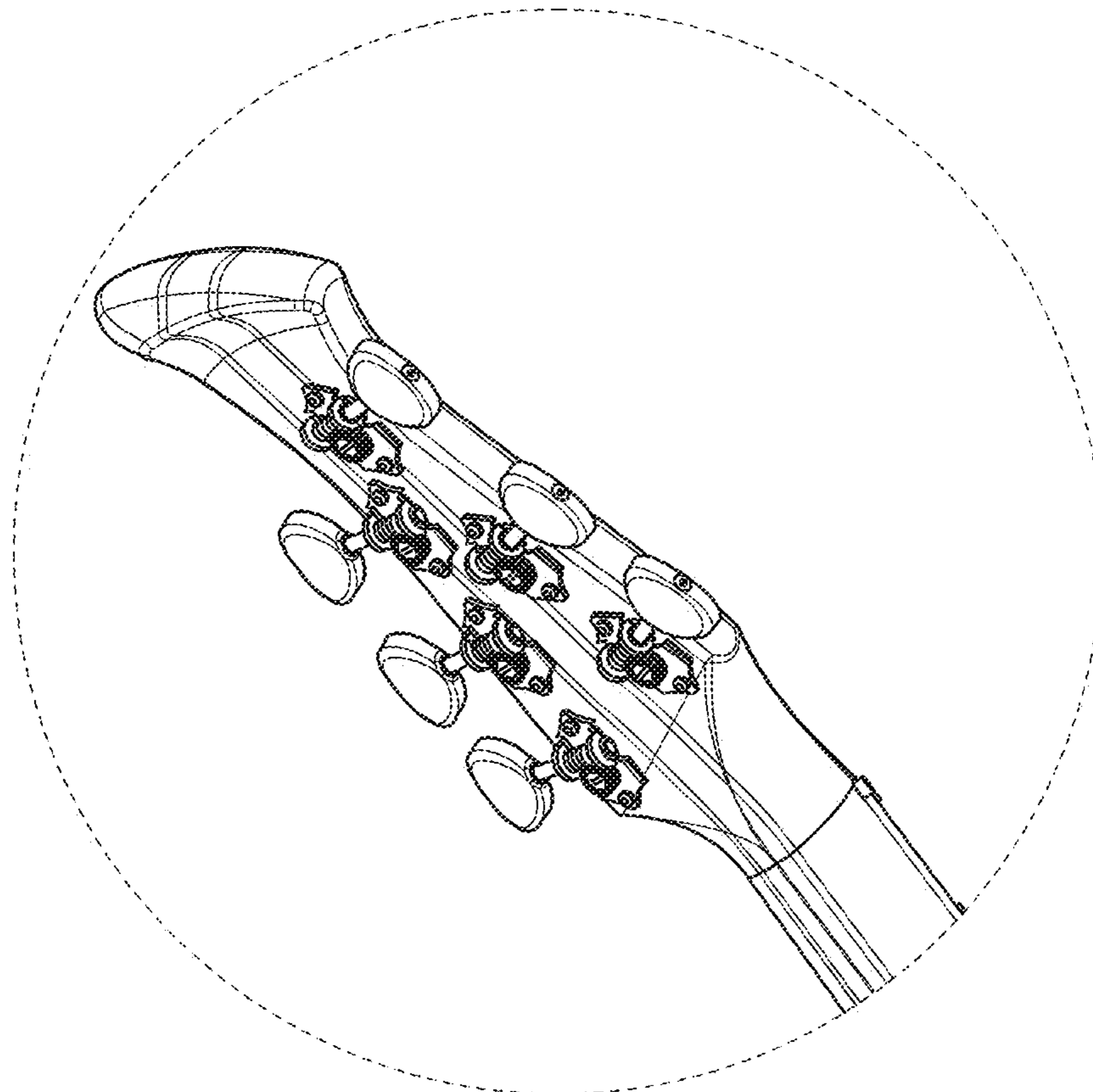


FIG. 10