



US00D963737S

(12) **United States Design Patent** (10) **Patent No.:** **US D963,737 S**
Kim (45) **Date of Patent:** **** Sep. 13, 2022**

(54) **SOFT BOX MOUNT RING**
(71) Applicant: **Jong Seok Kim**, Busan (KR)
(72) Inventor: **Jong Seok Kim**, Busan (KR)
(**) Term: **15 Years**

D860,485 S * 9/2019 Yu D26/24
D873,328 S * 1/2020 Shen D16/239
D879,181 S * 3/2020 Lu D16/219
D888,136 S * 6/2020 Handler D16/237
D888,137 S * 6/2020 Nykolyshyn D16/237
D895,877 S * 9/2020 Kaiser D26/72
2014/0014644 A1 * 1/2014 Akiba H05B 3/143
219/444.1

(21) Appl. No.: **29/703,140**
(22) Filed: **Aug. 23, 2019**

OTHER PUBLICATIONS

Impact Speed Ring for Dynalite and Lowel Omni-lights. [online] Retrieved Jan. 27, 2020 from URL: https://www.bhphotovideo.com/c/product/884603-REG/impact_sr_dyn_speed_ring_for_dynalite_lowel.html/?ap=y&ap=y&smp=y&smp=y&lsft=BI%3A514&gclid=EAlalQobChMI3rOCrcq87glVTeG1Ch067gctEAQYBSABEGKu6_D_BwE.*

(30) **Foreign Application Priority Data**

Feb. 25, 2019 (KR) 30-2019-0008259

(51) **LOC (13) Cl.** **16-05**
(52) **U.S. Cl.**
USPC **D16/237**

* cited by examiner

(58) **Field of Classification Search**
USPC D16/219, 237-241, 242-245; D10/46, D10/61, 65; D14/218, 224, 229, 238, D14/251, 253, 447, 451, 457, 388, 396, D14/412-415; D21/471, 478, 479, 499; D26/46, 60
CPC A45F 2200/0508-0533; A45F 5/00; A45F 5/10; F16M 11/06-10; F16M 11/14; G02B 7/00-002; G03B 17/56; G03B 17/561-566; H04N 5/2253-2254
See application file for complete search history.

Primary Examiner — Vy N Koenig
(74) *Attorney, Agent, or Firm* — IP Legal Services, LLC

(57) **CLAIM**

The ornamental design for a soft box mount ring, as shown and described.

DESCRIPTION

FIG. 1 is a perspective view of a soft box mount ring showing my design;
FIG. 2 is a front view thereof;
FIG. 3 is a rear view thereof;
FIG. 4 is a left-side view thereof;
FIG. 5 is a right-side view thereof;
FIG. 6 is a top plan view thereof;
FIG. 7 is a bottom plan view thereof; and,
FIG. 8 is a perspective rear view of a soft box mount ring.

(56) **References Cited**

U.S. PATENT DOCUMENTS

D243,406 S * 2/1977 Mooney D13/154
5,053,794 A * 10/1991 Benz G02B 21/362
396/432
D692,475 S * 10/2013 Hasuda D16/219
D702,279 S * 4/2014 Zhan D16/239
D753,755 S * 4/2016 Zhan D16/239
D767,188 S * 9/2016 Jigamian D26/50

1 Claim, 7 Drawing Sheets

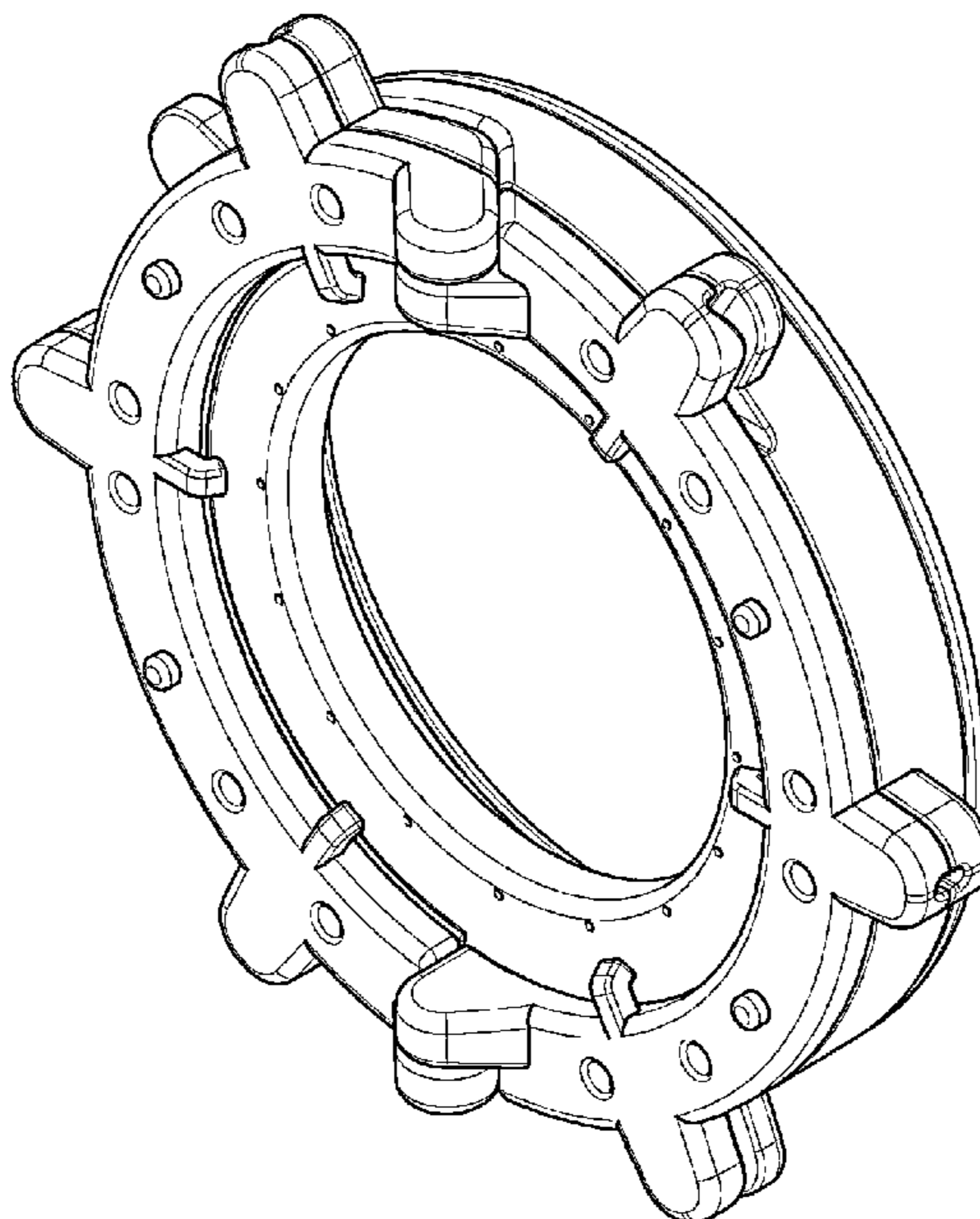


FIG. 1

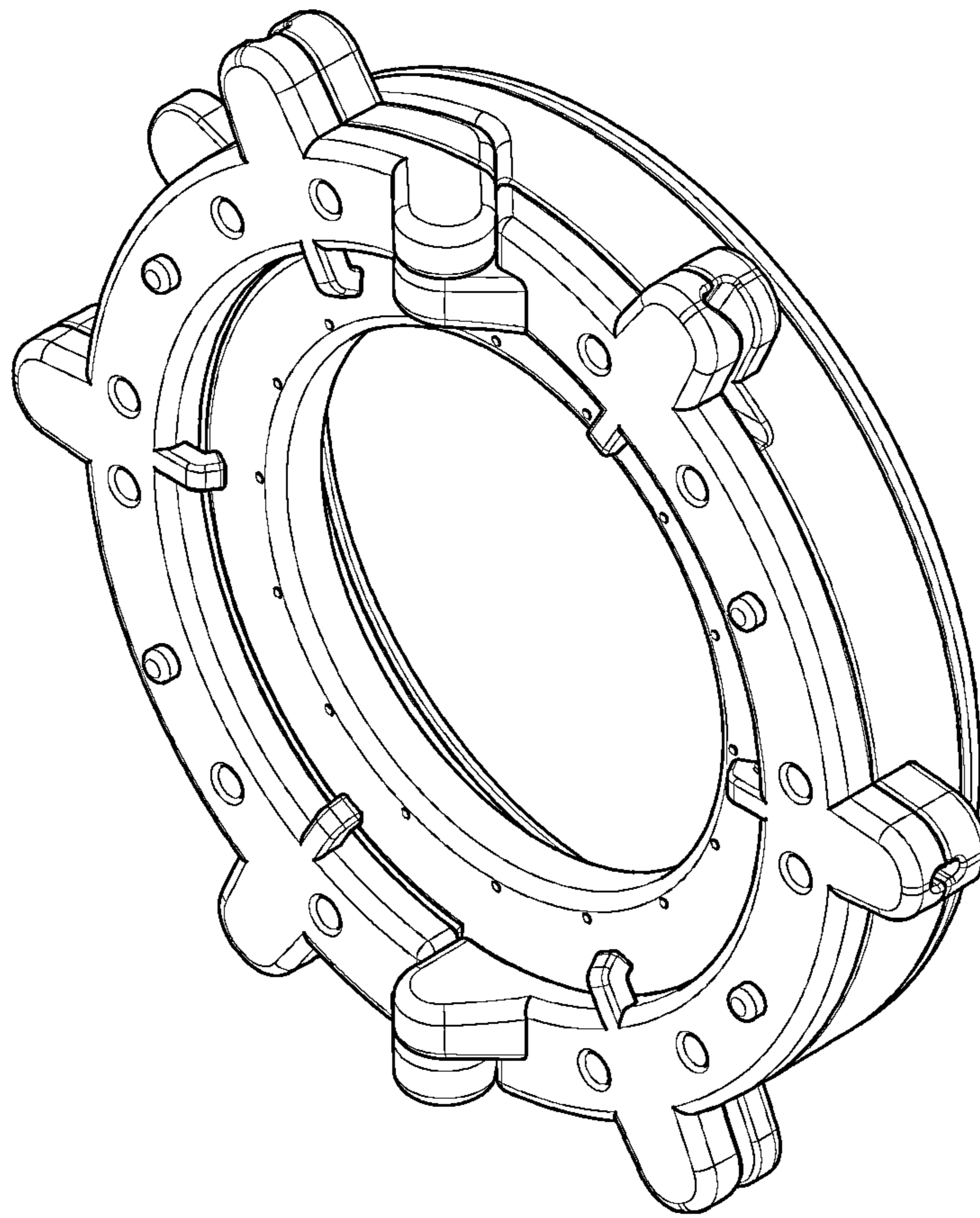


FIG. 2

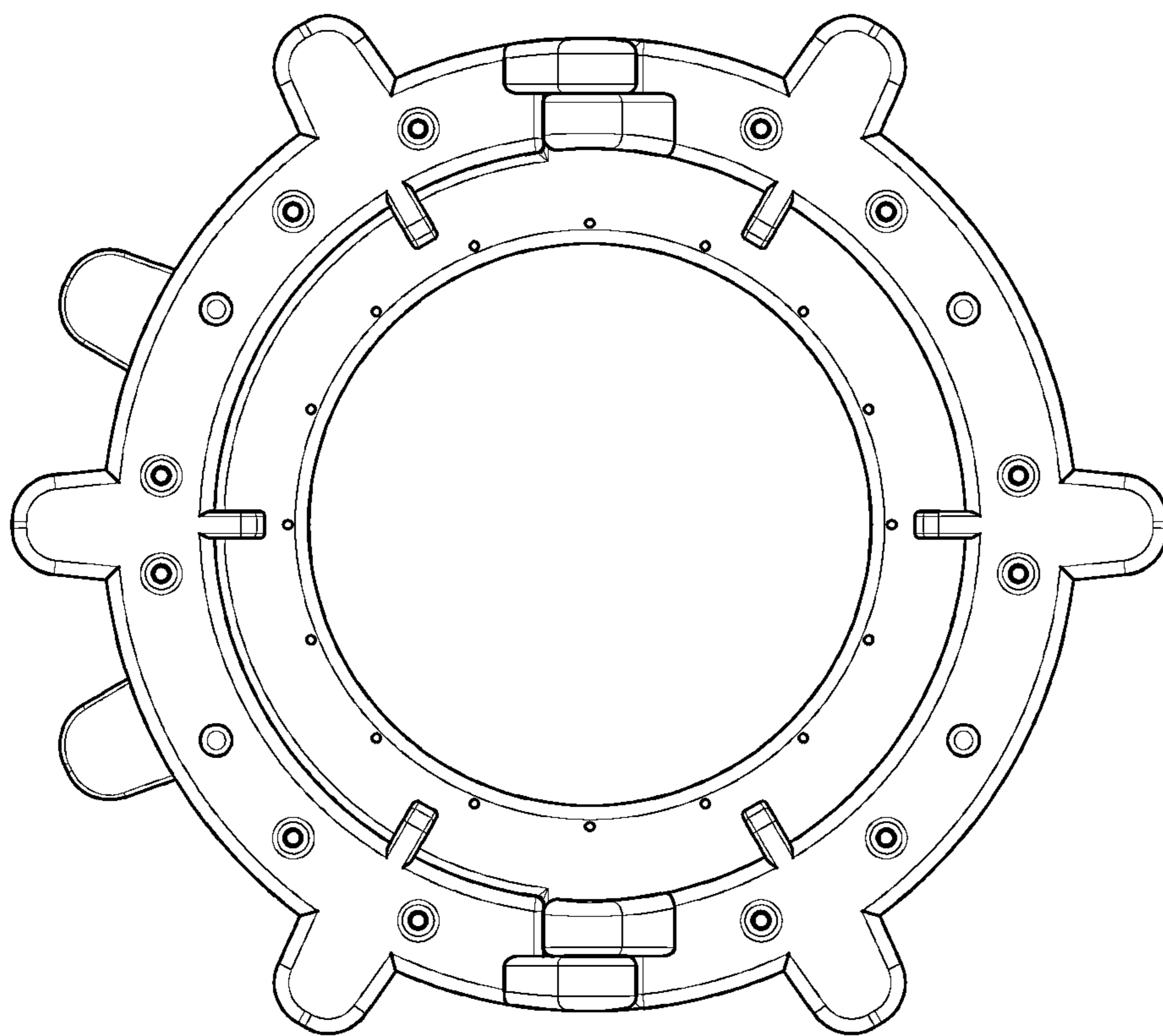


FIG. 3

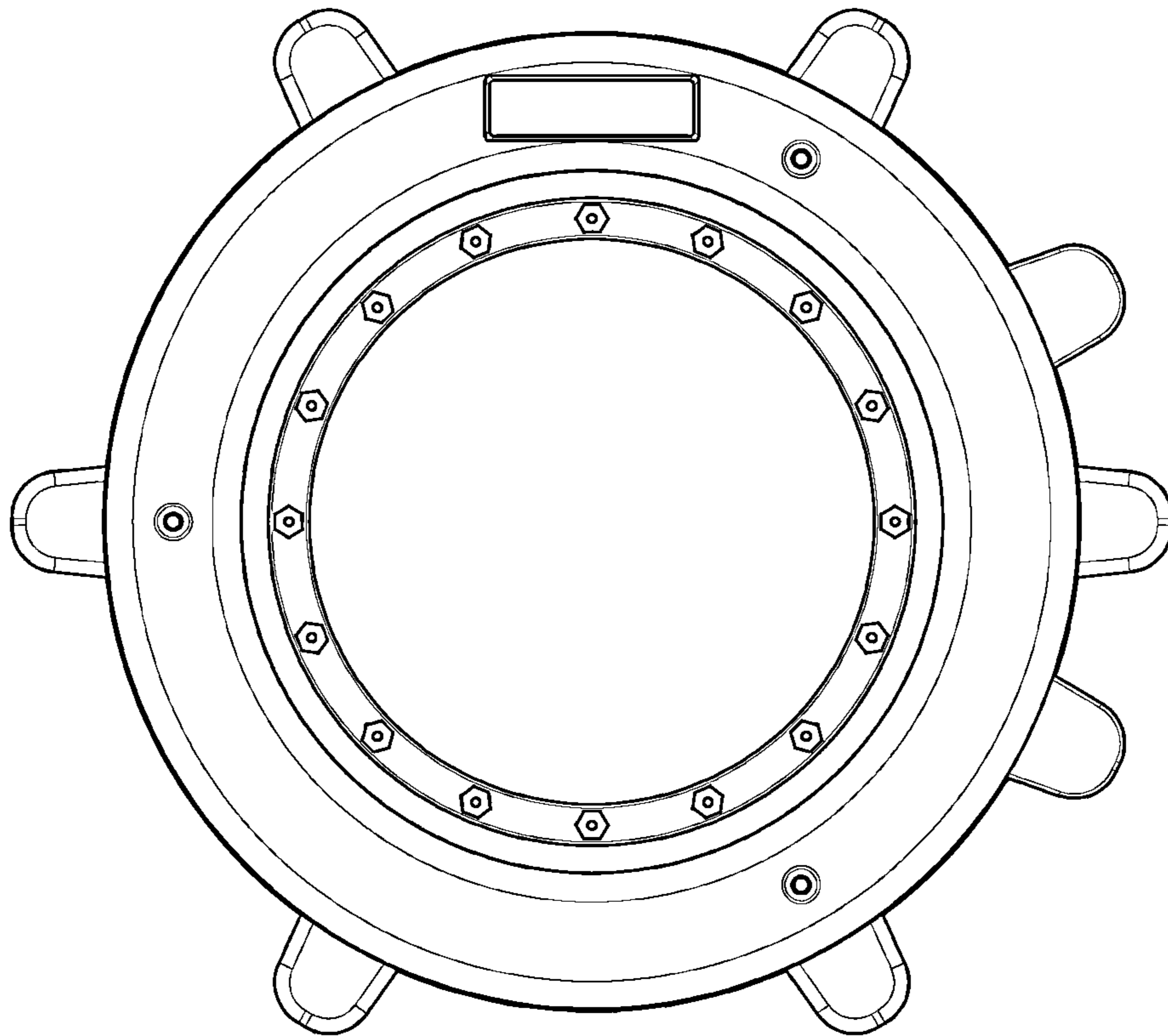


FIG. 4

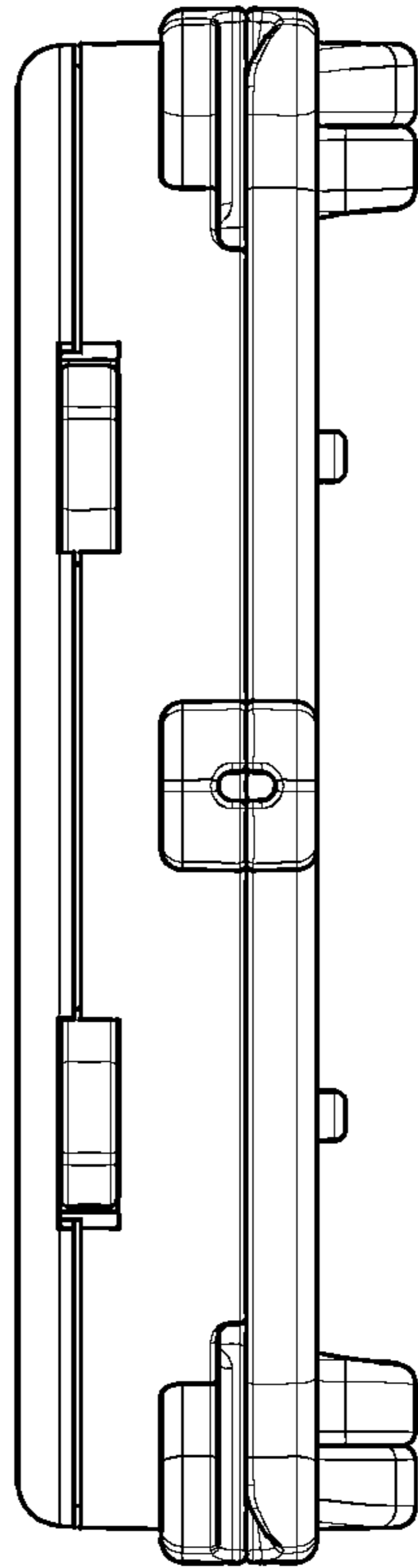


FIG. 5

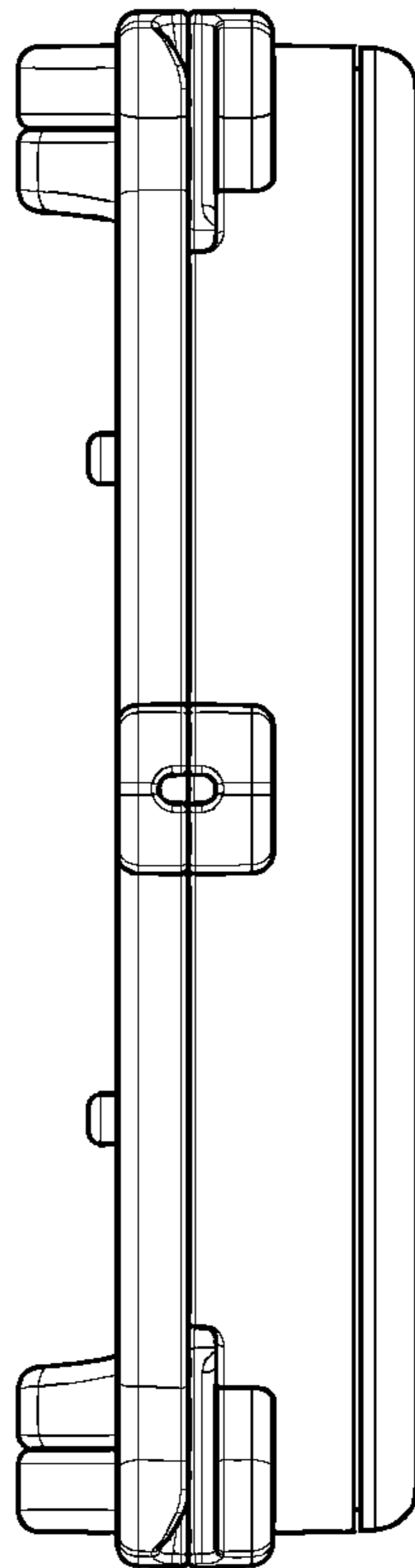


FIG. 6

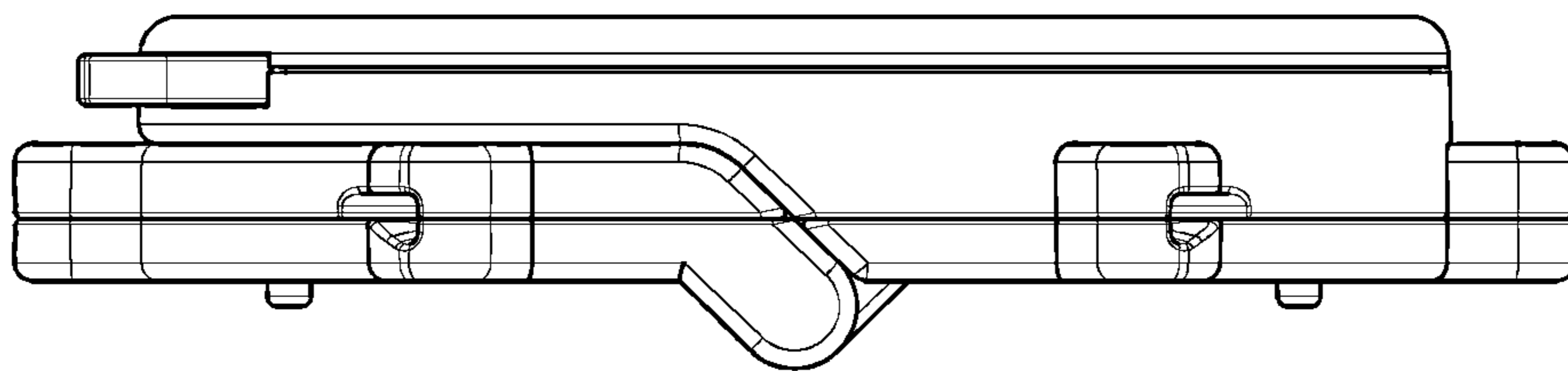


FIG. 7

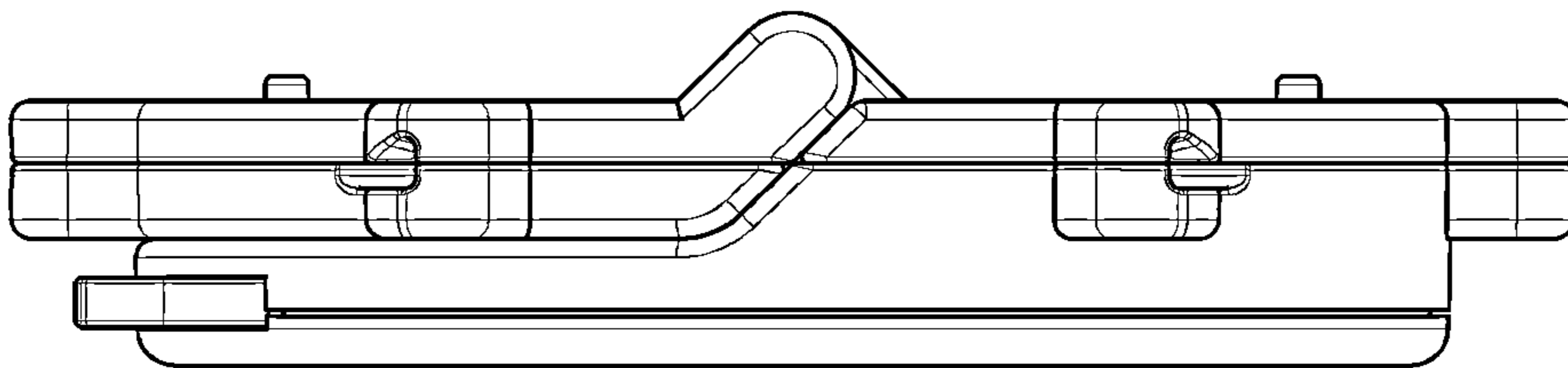


FIG. 8

