



US00D963735S

(12) **United States Design Patent**
Hamamura

(10) **Patent No.:** **US D963,735 S**

(45) **Date of Patent:** **** Sep. 13, 2022**

(54) **PROJECTOR**

(71) Applicant: **RICOH COMPANY, LTD.**, Tokyo (JP)

(72) Inventor: **Toshihiro Hamamura**, Ohta-ku (JP)

(73) Assignee: **RICOH COMPANY, LTD.**, Tokyo (JP)

(**) Term: **15 Years**

(21) Appl. No.: **29/765,321**

(22) Filed: **Jan. 7, 2021**

(30) **Foreign Application Priority Data**

Dec. 11, 2020 (JP) 2020-026723 D

(51) **LOC (13) Cl.** **16-02**

(52) **U.S. Cl.**

USPC **D16/230; D16/225**

(58) **Field of Classification Search**

USPC D16/221, 225, 230-231, 234; D21/514;
D14/426, 507, 128, 186

CPC G03B 21/16; G03B 21/14; G03B 21/00;
G03B 21/001; G03B 21/003; G03B
21/12; G03B 21/145

See application file for complete search history.

(56) **References Cited**

U.S. PATENT DOCUMENTS

D638,872 S * 5/2011 Kao D16/230
D645,072 S * 9/2011 Luo D16/230

D648,767 S * 11/2011 Cheng D16/225
D648,769 S * 11/2011 Tzeng D16/230
D676,077 S * 2/2013 Miyauchi D16/225
2004/0150800 A1 * 8/2004 Uehara G03B 21/145
353/119
2012/0309229 A1 * 12/2012 Yang G03B 21/145
439/620.01

* cited by examiner

Primary Examiner — Wan Laymon

(74) *Attorney, Agent, or Firm* — Xsensus LLP

(57) **CLAIM**

The ornamental design for a projector, as shown and described.

DESCRIPTION

FIG. 1 is a front, top, and right side perspective view of a projector showing the new design.

FIG. 2 is a rear, bottom, and left side perspective view thereof.

FIG. 3 is a front elevational view thereof.

FIG. 4 is a rear elevational view thereof.

FIG. 5 is a top plan view thereof.

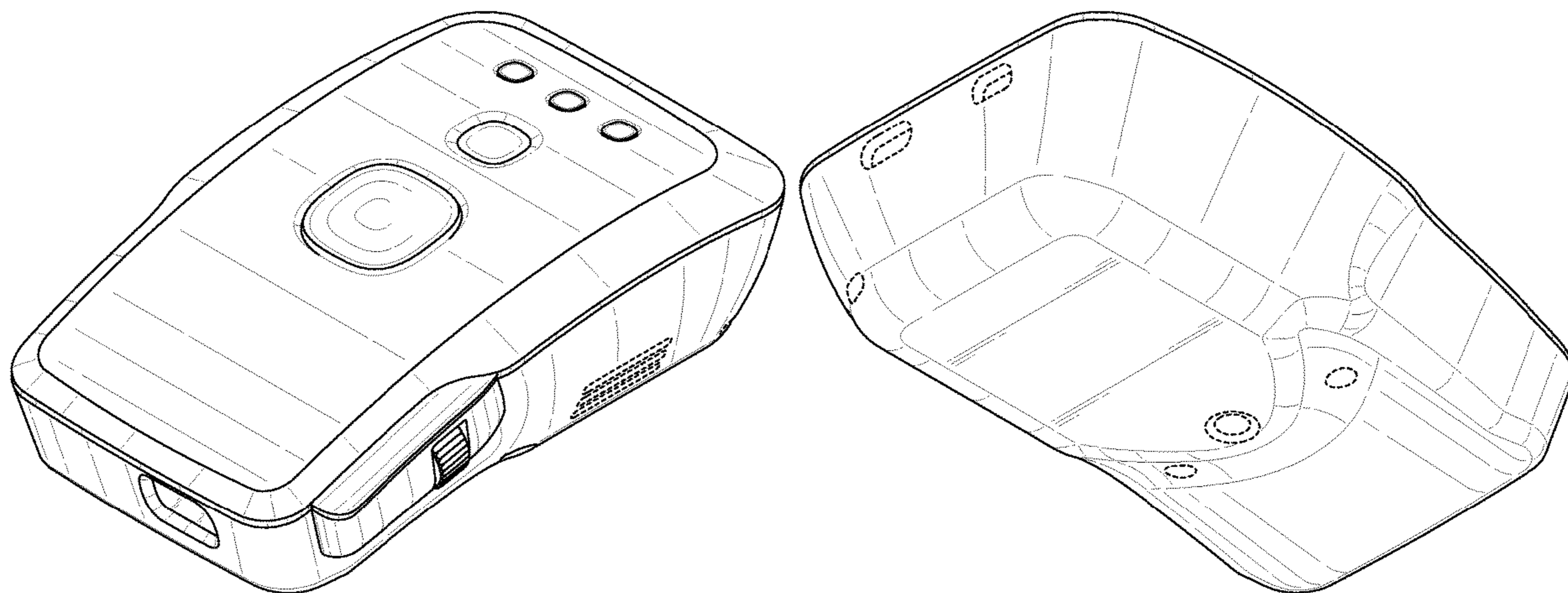
FIG. 6 is a bottom plan view thereof.

FIG. 7 is a right side elevational view thereof; and,

FIG. 8 is a left side elevational view thereof.

The broken lines depict portions of the projector that form no part of the claimed design.

1 Claim, 7 Drawing Sheets



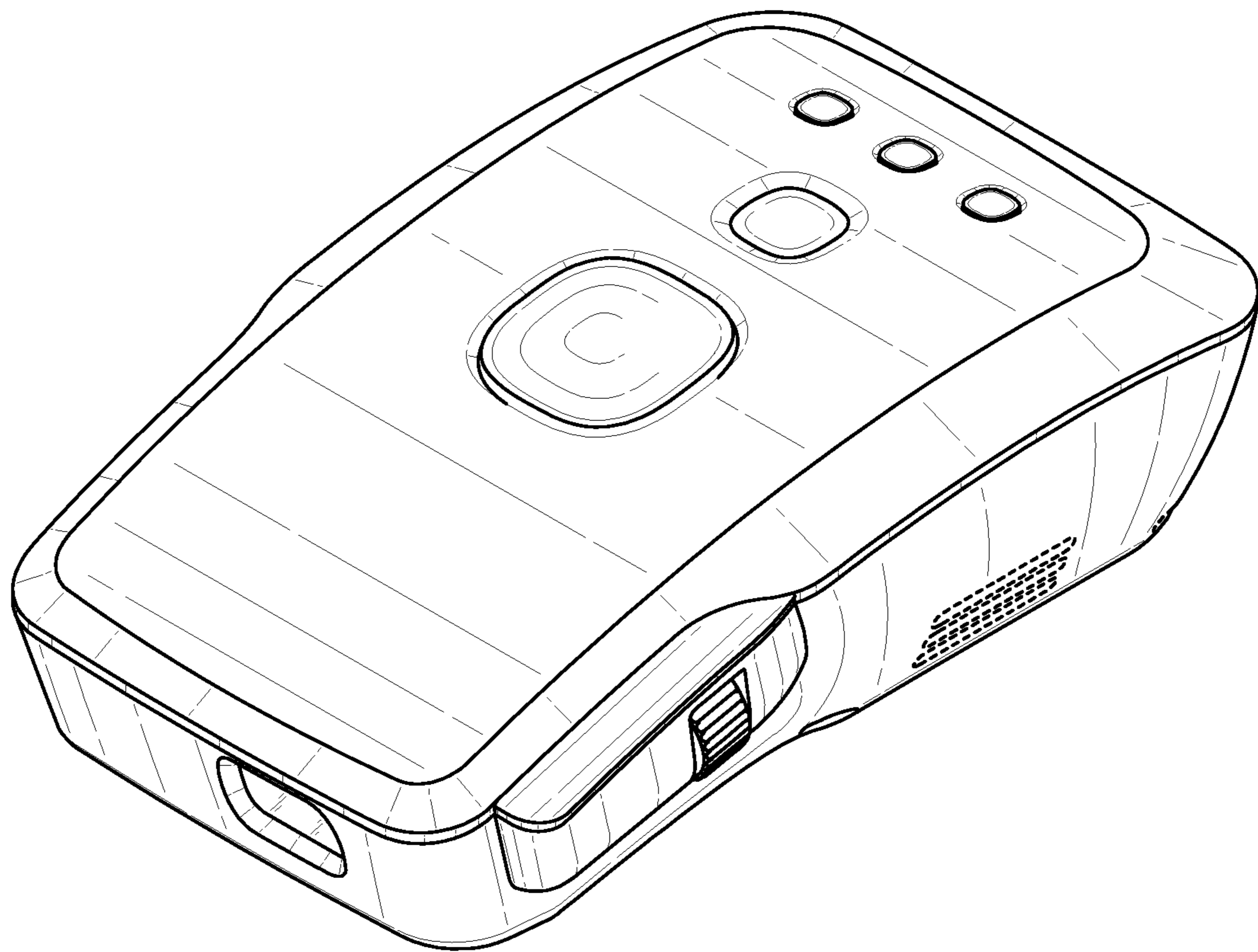


FIG. 1

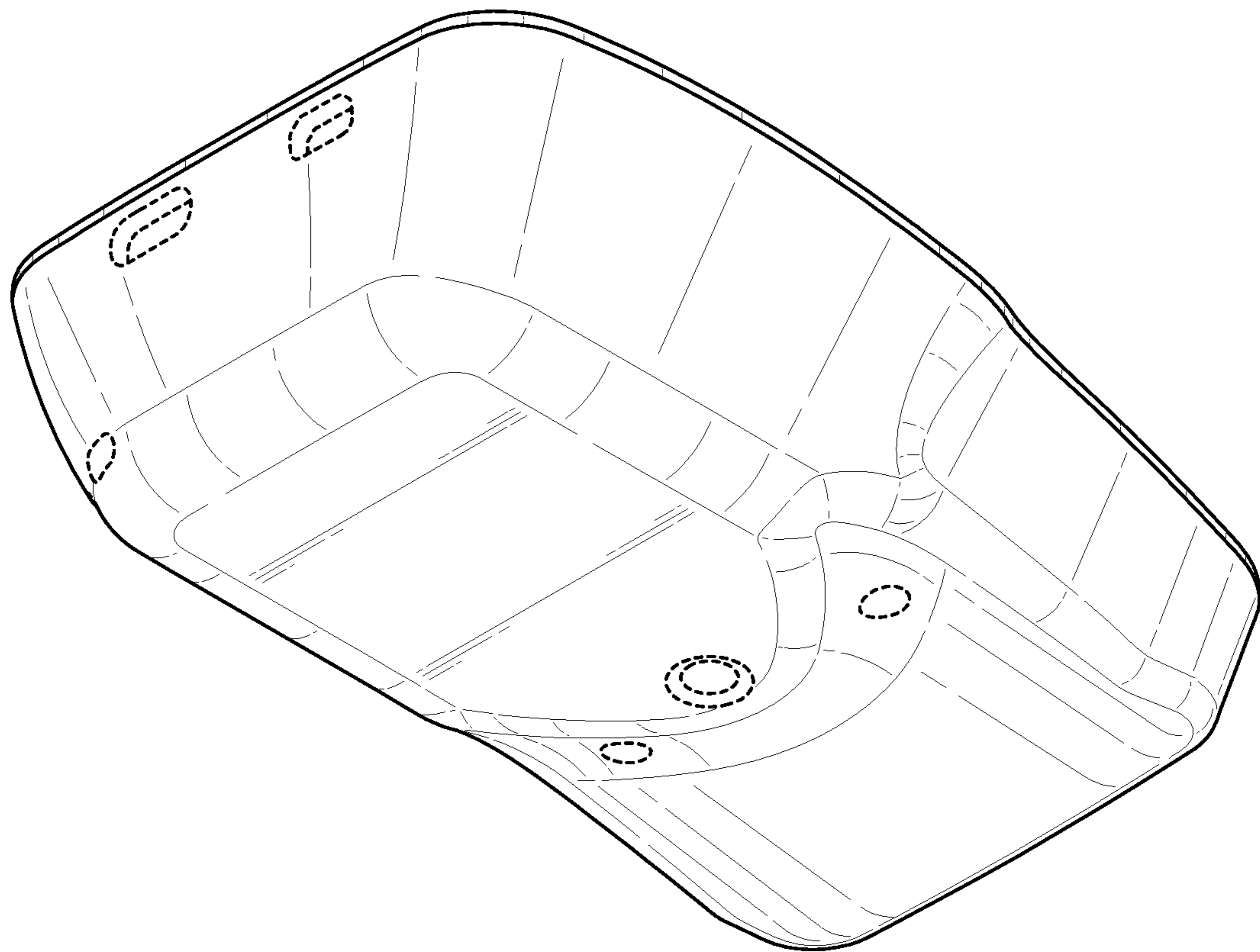


FIG. 2

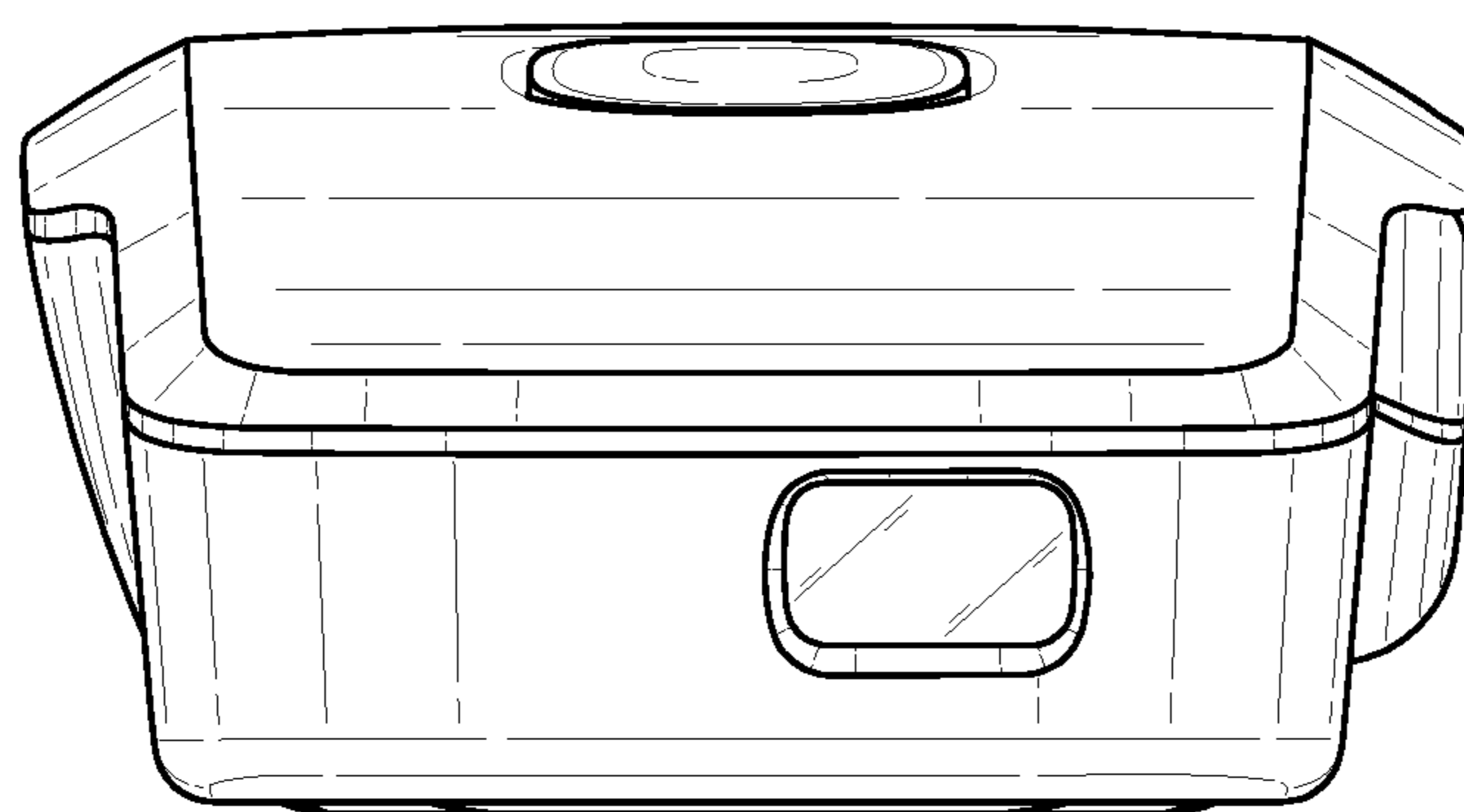


FIG. 3

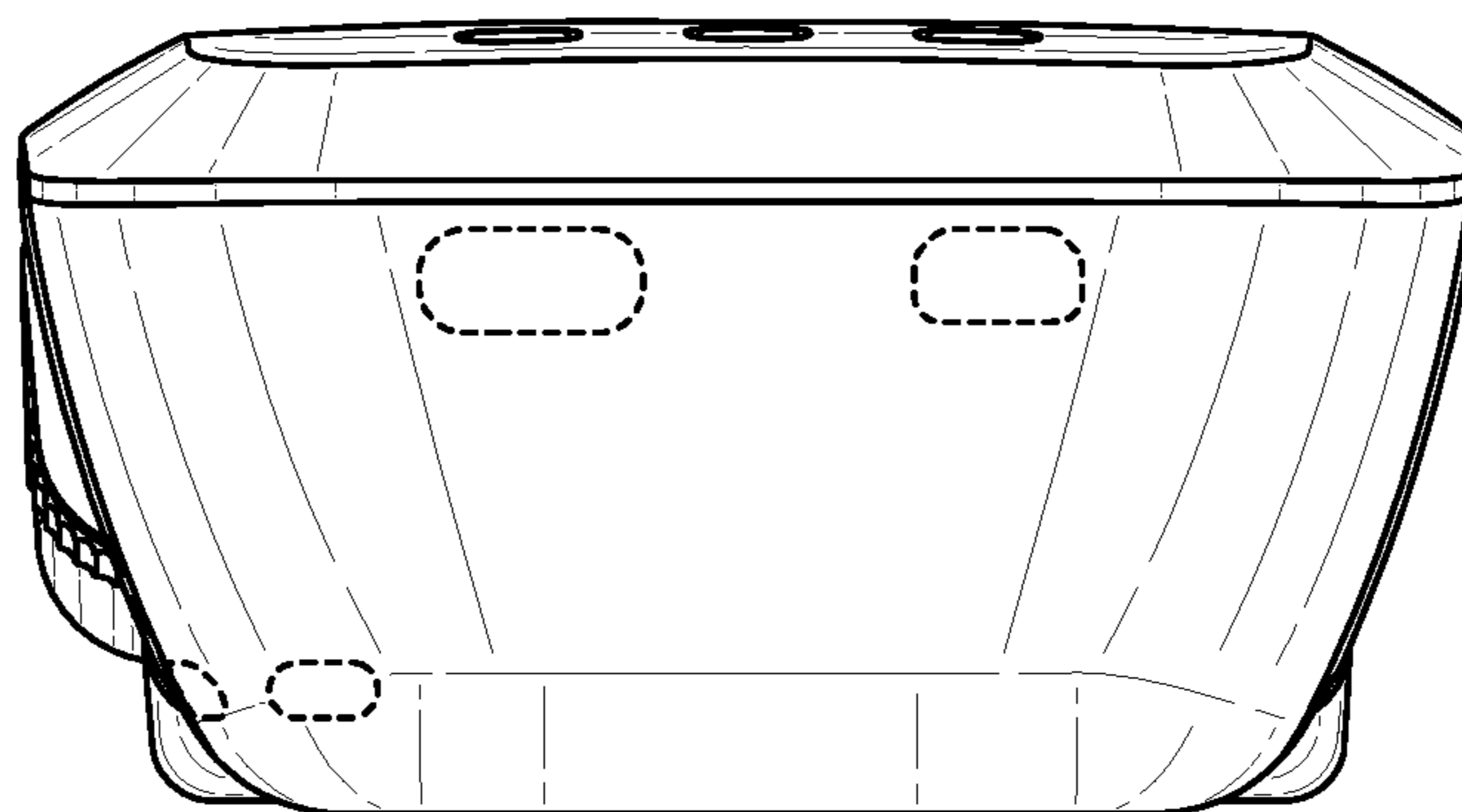


FIG. 4

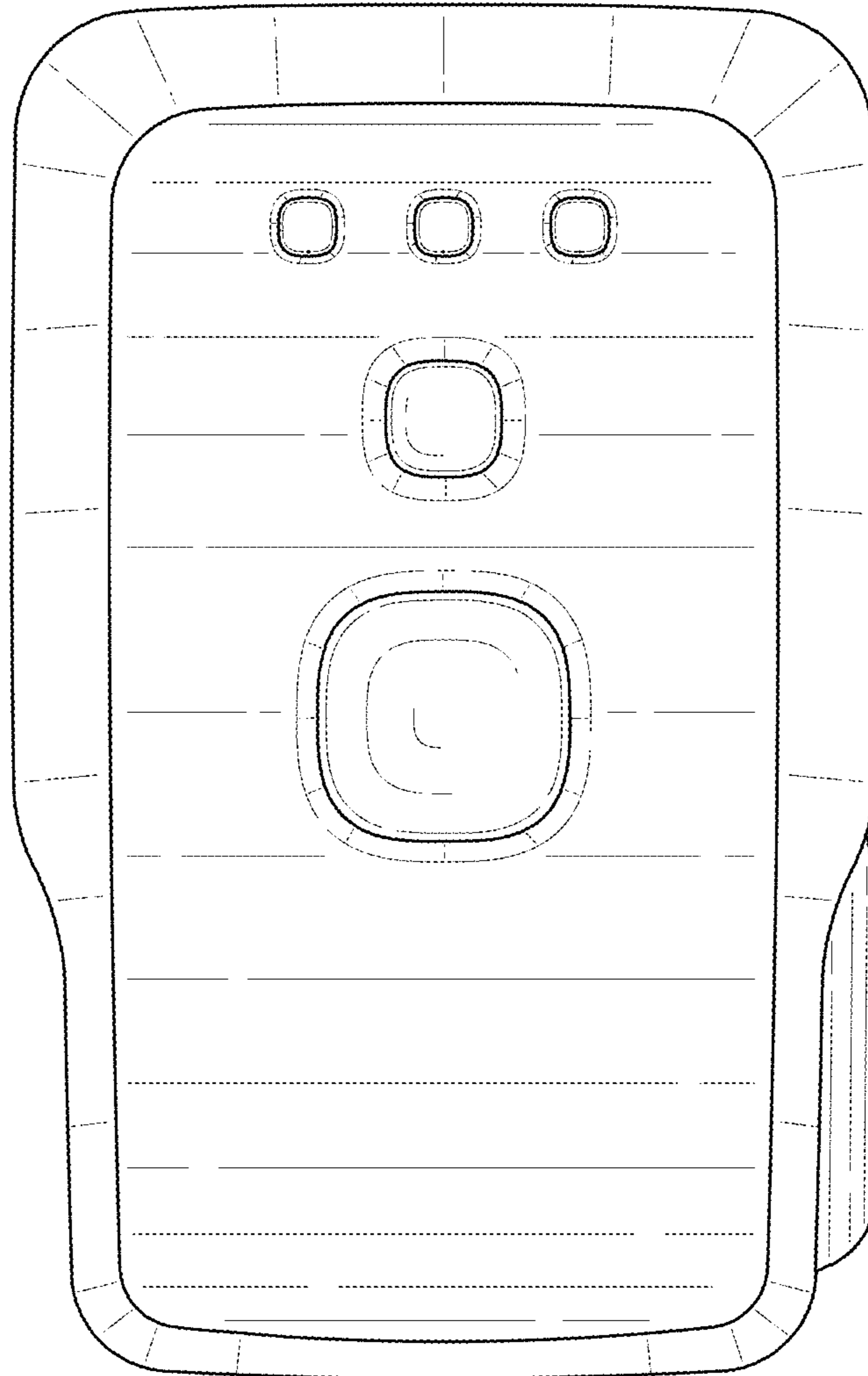


FIG. 5

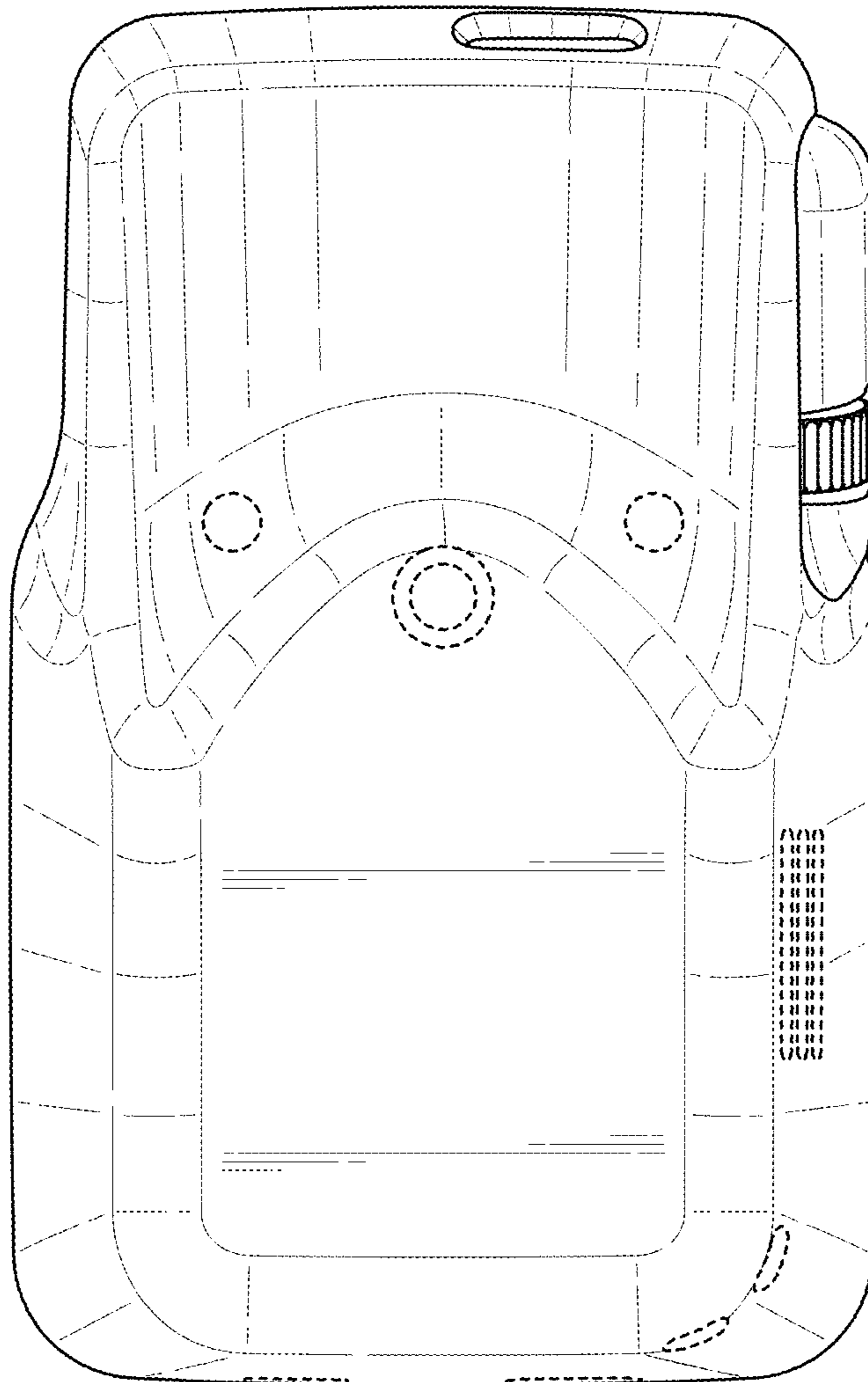


FIG. 6

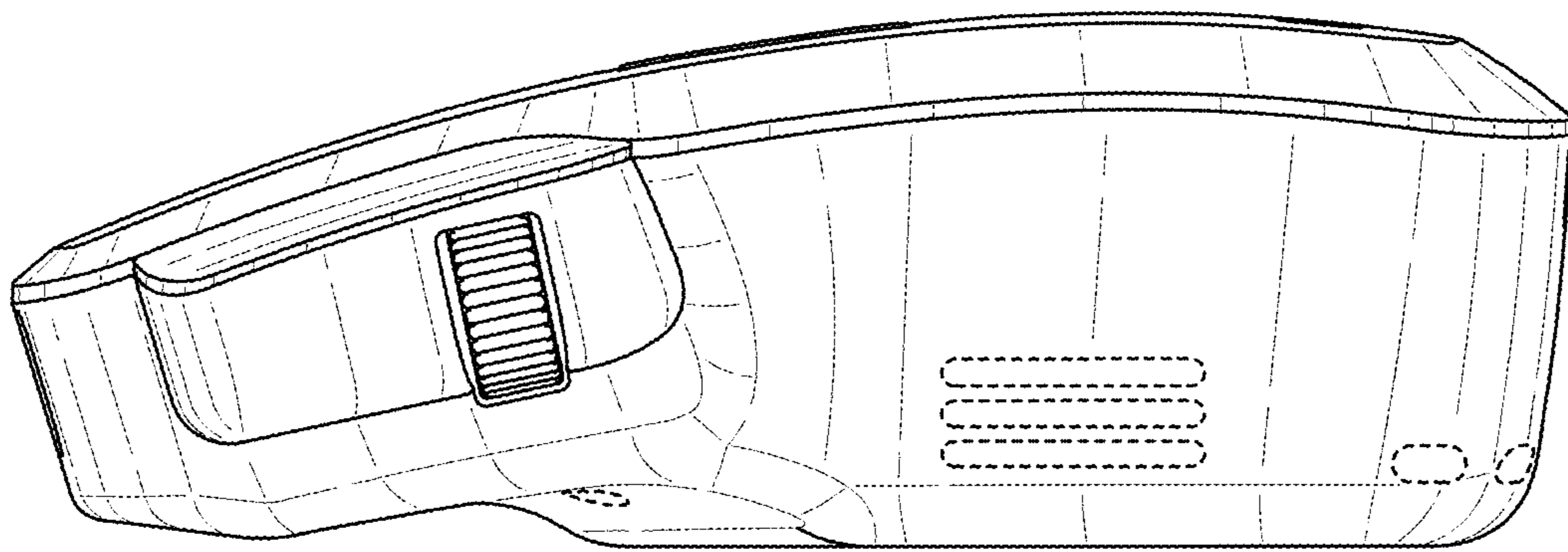


FIG. 7

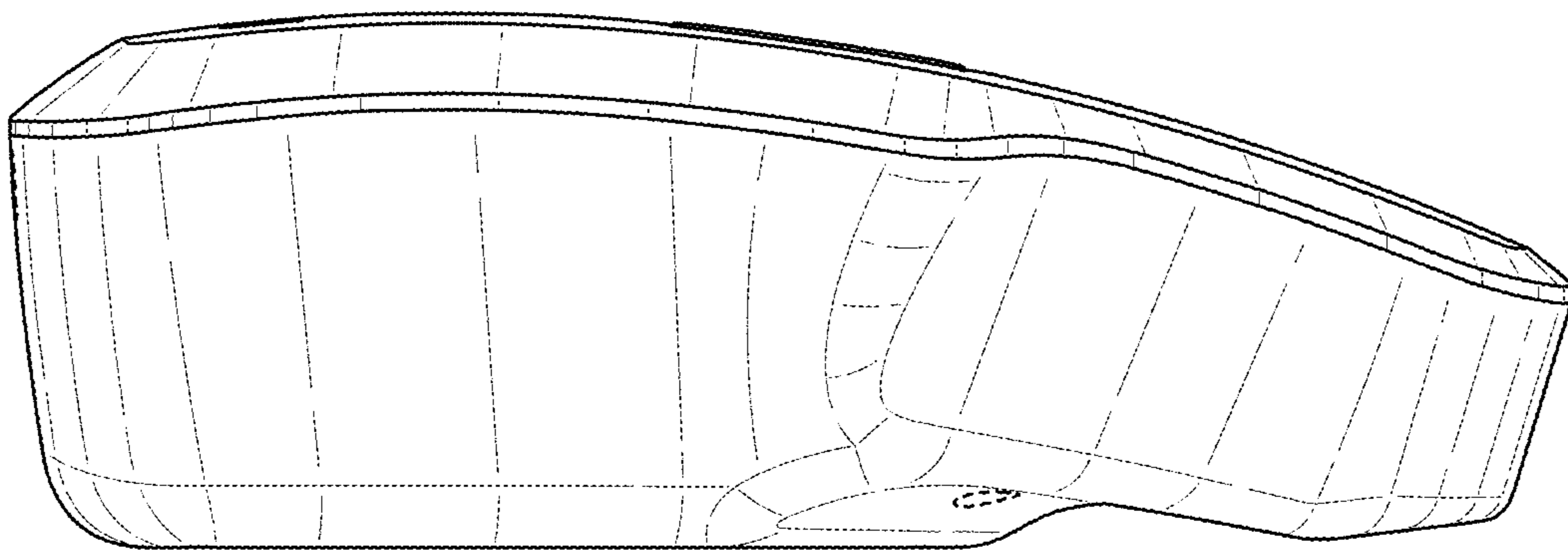


FIG. 8