



US00D963733S

(12) **United States Design Patent**
Yoshida

(10) **Patent No.:** **US D963,733 S**
(45) **Date of Patent:** **** Sep. 13, 2022**

(54) **PROJECTOR**

- (71) Applicant: **FUJIFILM Corporation**, Tokyo (JP)
- (72) Inventor: **Koji Yoshida**, Saitama (JP)
- (73) Assignee: **FUJIFILM Corporation**, Tokyo (JP)
- (**) Term: **15 Years**
- (21) Appl. No.: **29/763,806**

(22) Filed: **Dec. 24, 2020**

(30) **Foreign Application Priority Data**

Jul. 3, 2020 (JP) 2020-013635 D

(51) **LOC (13) Cl.** **16-02**

(52) **U.S. Cl.**
USPC **D16/221**

(58) **Field of Classification Search**
USPC D16/221, 225, 229–231, 234–235, 208;
D21/514

CPC G03B 21/16; G03B 21/14; G03B 21/145;
G03B 21/142; G03B 21/00; G03B
21/003; G03B 21/12

See application file for complete search history.

(56) **References Cited**

U.S. PATENT DOCUMENTS

- D865,849 S * 11/2019 Yoshida D16/230
- D865,850 S 11/2019 Yoshida
- D867,431 S * 11/2019 Yoshida D16/235
- D897,410 S * 9/2020 Sakai D16/221
- 2021/0208490 A1 * 7/2021 Shimizu G03B 21/16
- 2021/0247587 A1 * 8/2021 Kayano G03B 21/145
- 2021/0247672 A1 * 8/2021 Nagatoshi G03B 21/145
- 2021/0247673 A1 * 8/2021 Kamigaki G03B 21/145
- 2021/0247674 A1 * 8/2021 Shimizu G03B 21/145
- 2021/0247682 A1 * 8/2021 Shimizu G03B 21/145
- 2021/0247683 A1 * 8/2021 Kamigaki G03B 21/145
- 2021/0250557 A1 * 8/2021 Shimizu G03B 21/145
- 2021/0250558 A1 * 8/2021 Shimizu G03B 21/145
- 2021/0250559 A1 * 8/2021 Shimizu G03B 21/145

(Continued)

FOREIGN PATENT DOCUMENTS

JP 1203233 S 4/2004
JP 1613726 S 11/2018

OTHER PUBLICATIONS

An Office Action “Notification” mailed by the Japanese Patent Office dated Feb. 12, 2021, which corresponds to Japanese Design Application No. 2020-013635 and is related to Design U.S. Appl. No. 29/763,806; with English language translation.

Primary Examiner — Wan Laymon

(74) *Attorney, Agent, or Firm* — Stuebaker & Brackett
PC

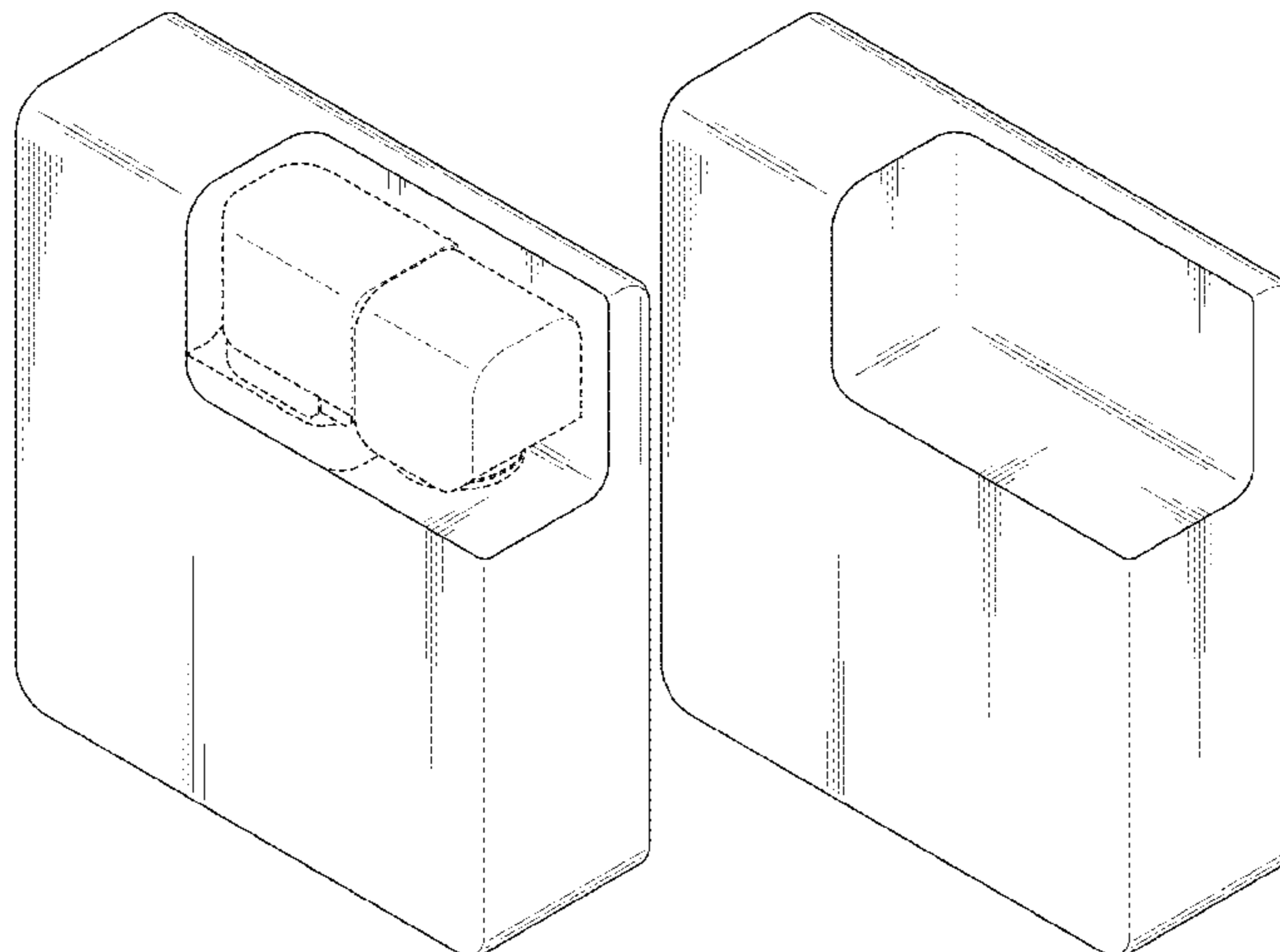
(57) **CLAIM**

The ornamental design for a projector, as shown and described.

DESCRIPTION

FIG. 1 is a top, front and right perspective view of a projector showing my new design;
FIG. 2 is a top, rear and right perspective view thereof;
FIG. 3 is a front view thereof;
FIG. 4 is a rear view thereof;
FIG. 5 is a top plan view thereof;
FIG. 6 is a bottom plan view thereof;
FIG. 7 is a right side view thereof;
FIG. 8 is a left side view thereof;
FIG. 9 is a top, front and right perspective view of the projector showing the situation that a lens body and a lens body pedestal are removed,
FIG. 10 is a front view thereof;
FIG. 11 is a top plan view thereof; and,
FIG. 12 is a right side view thereof.
The broken lines shown in the drawings depict portions of the projector that form no part of the claimed design.

1 Claim, 8 Drawing Sheets



(56)

References Cited

U.S. PATENT DOCUMENTS

2021/0255528 A1* 8/2021 Kamigaki G03B 21/145
2021/0255529 A1* 8/2021 Kamigaki G03B 21/145

* cited by examiner

FIG. 1

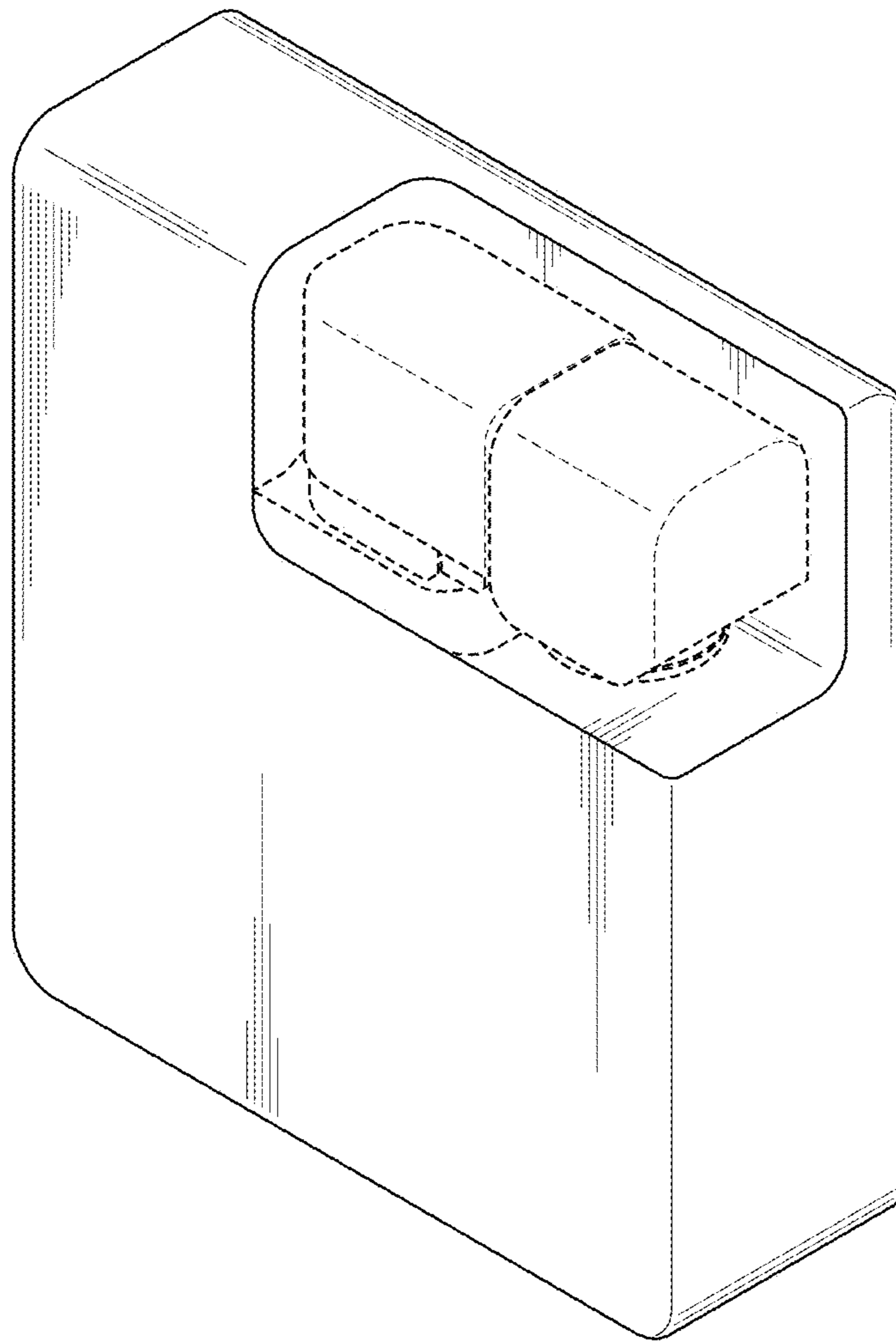


FIG. 2

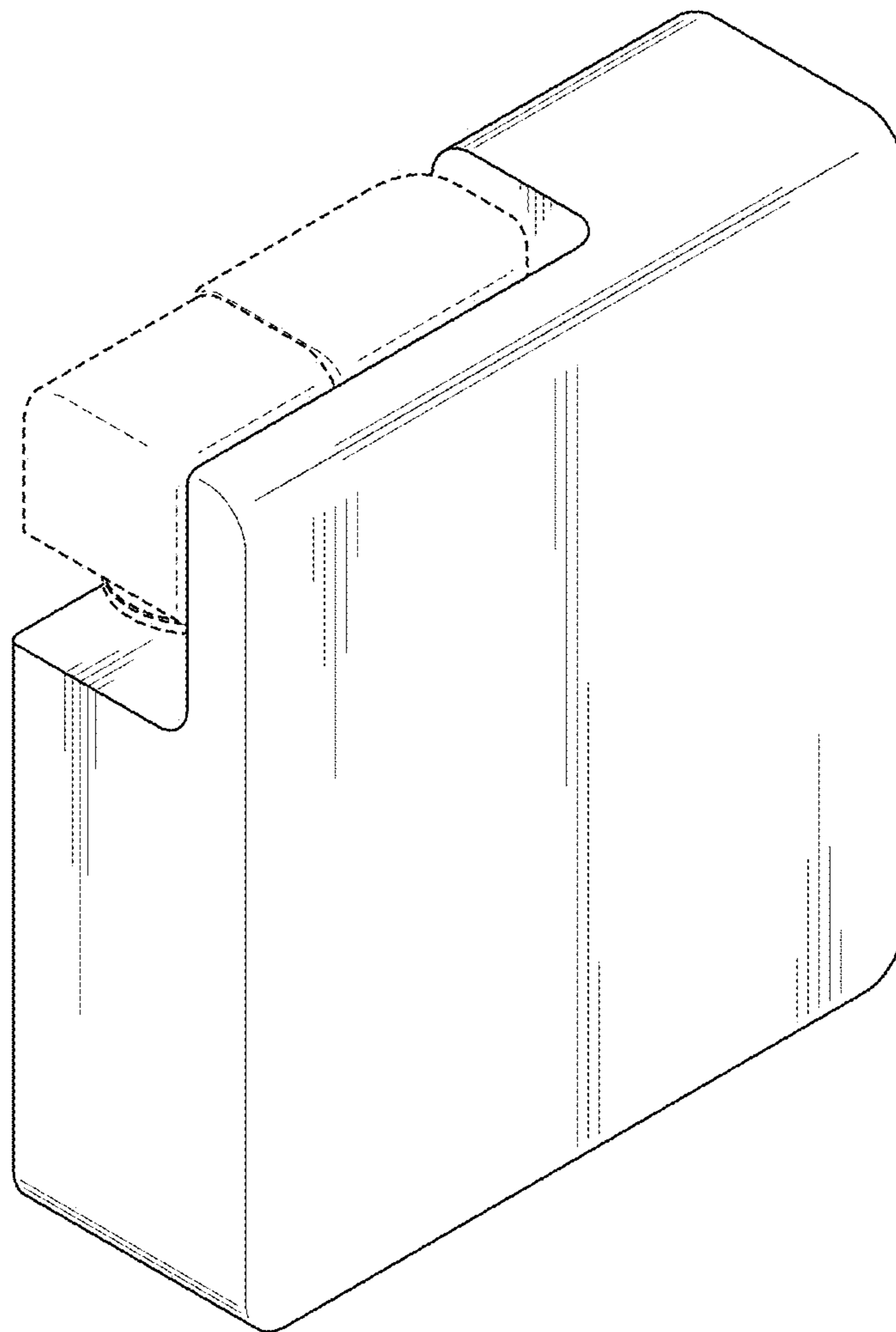


FIG. 3

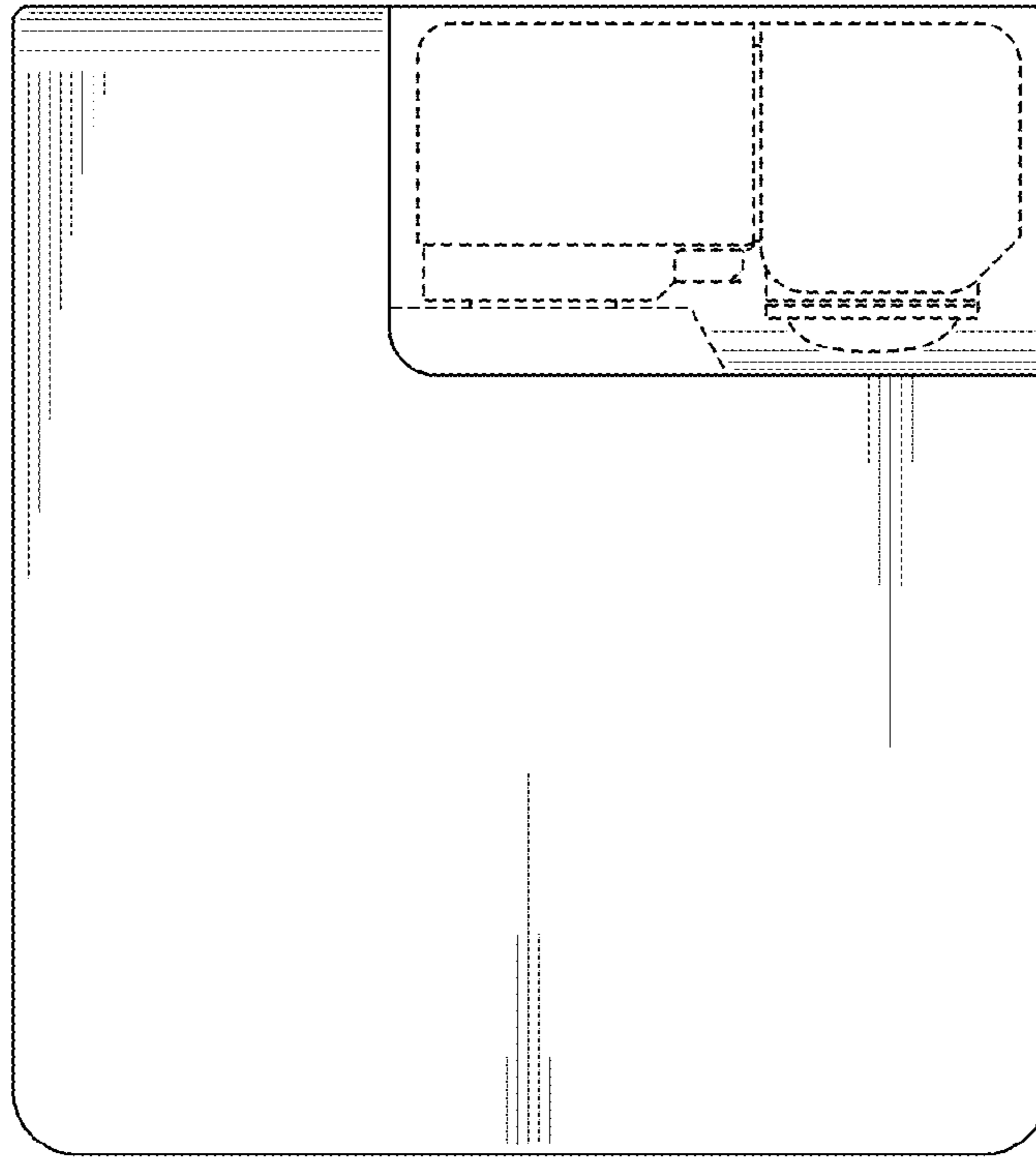


FIG. 4

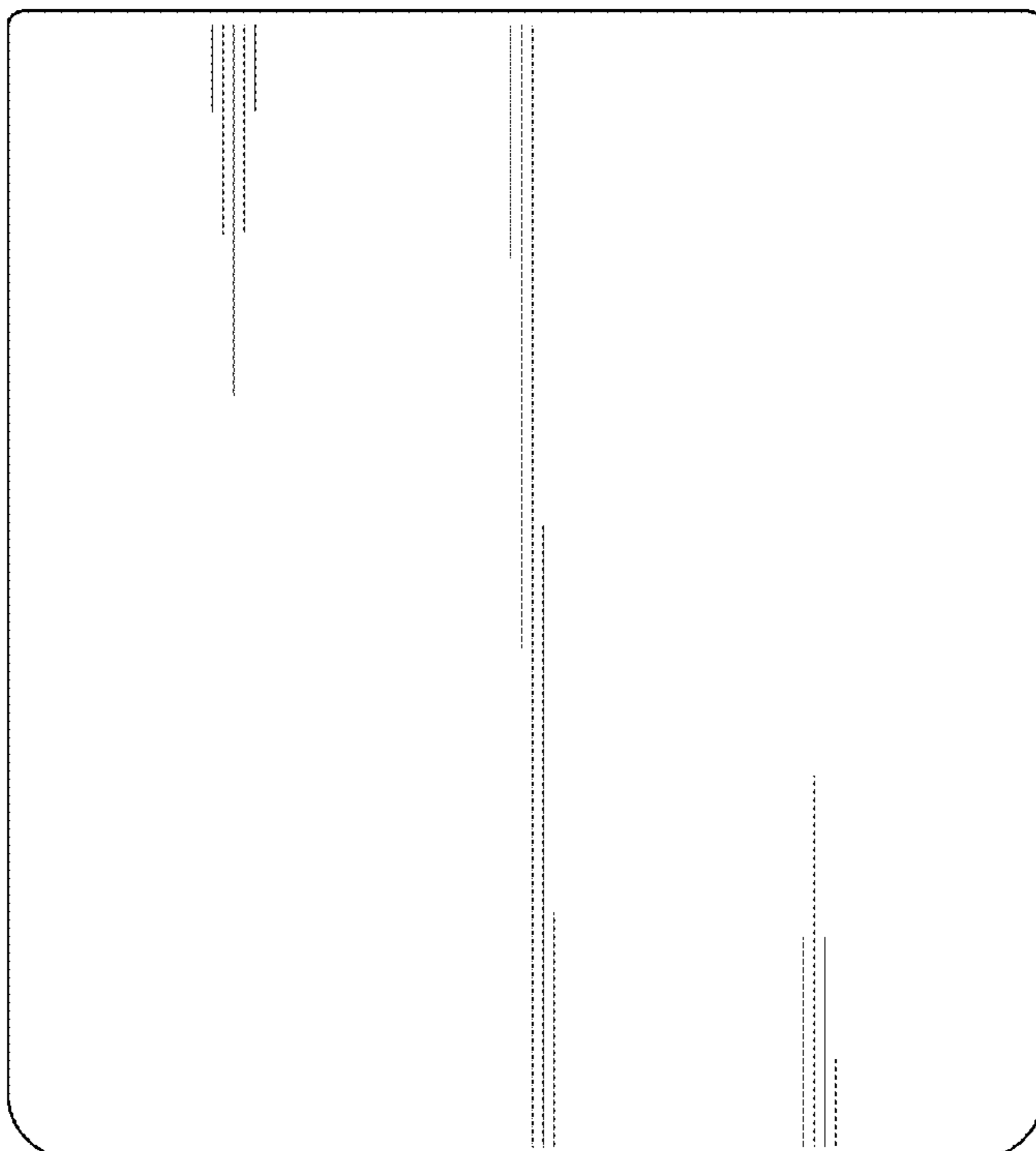


FIG. 5

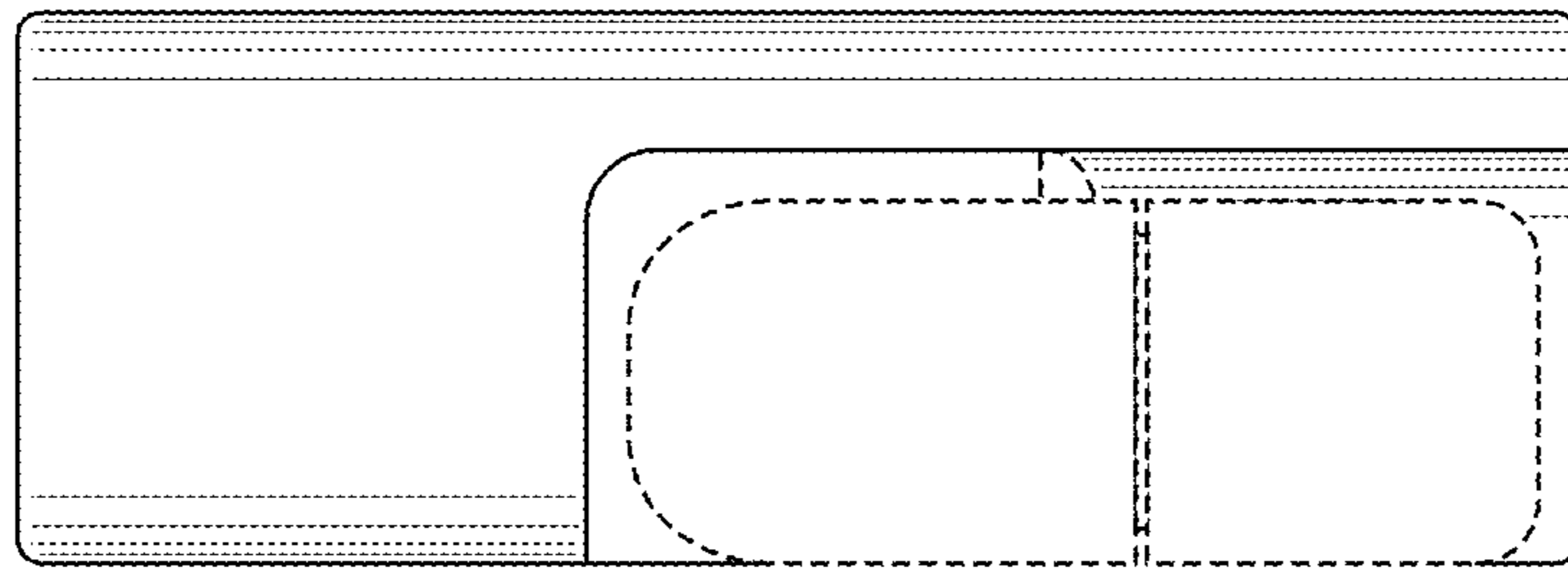


FIG. 6

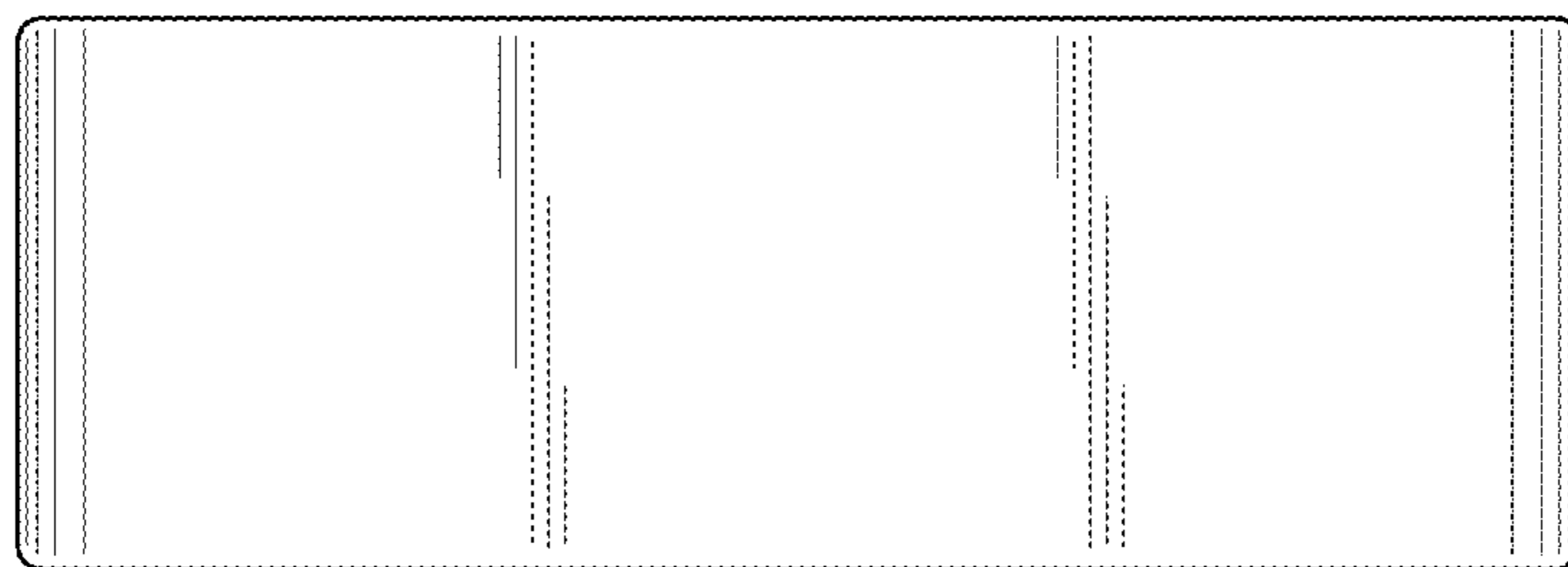


FIG. 7

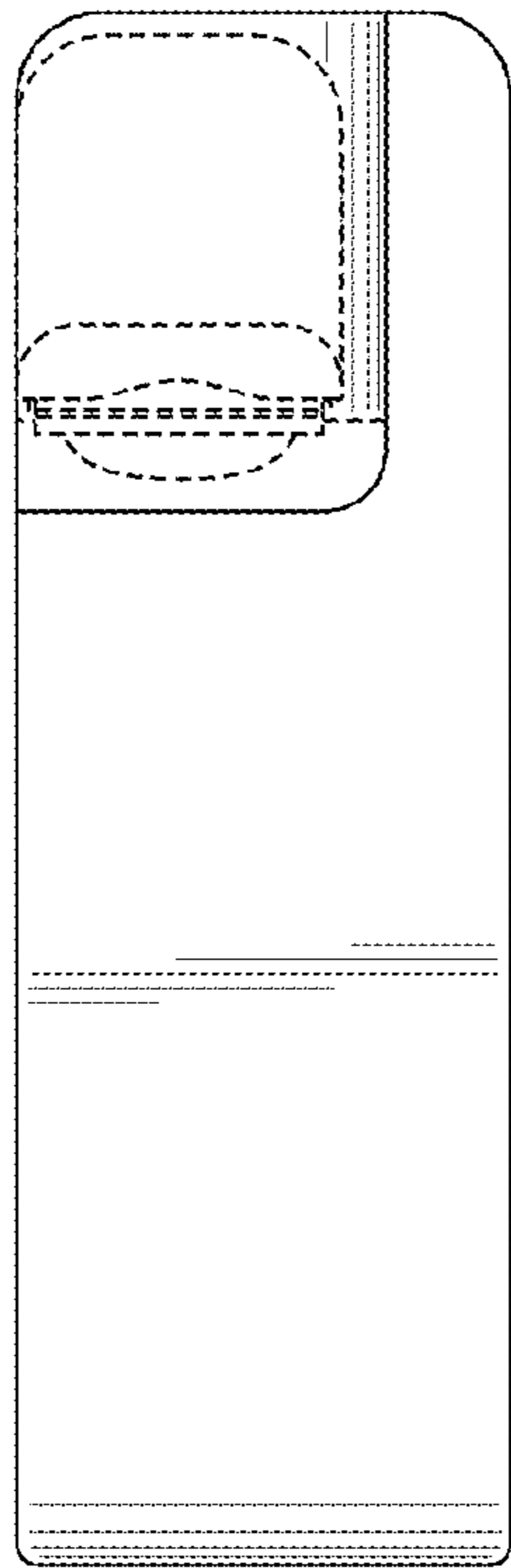


FIG. 8

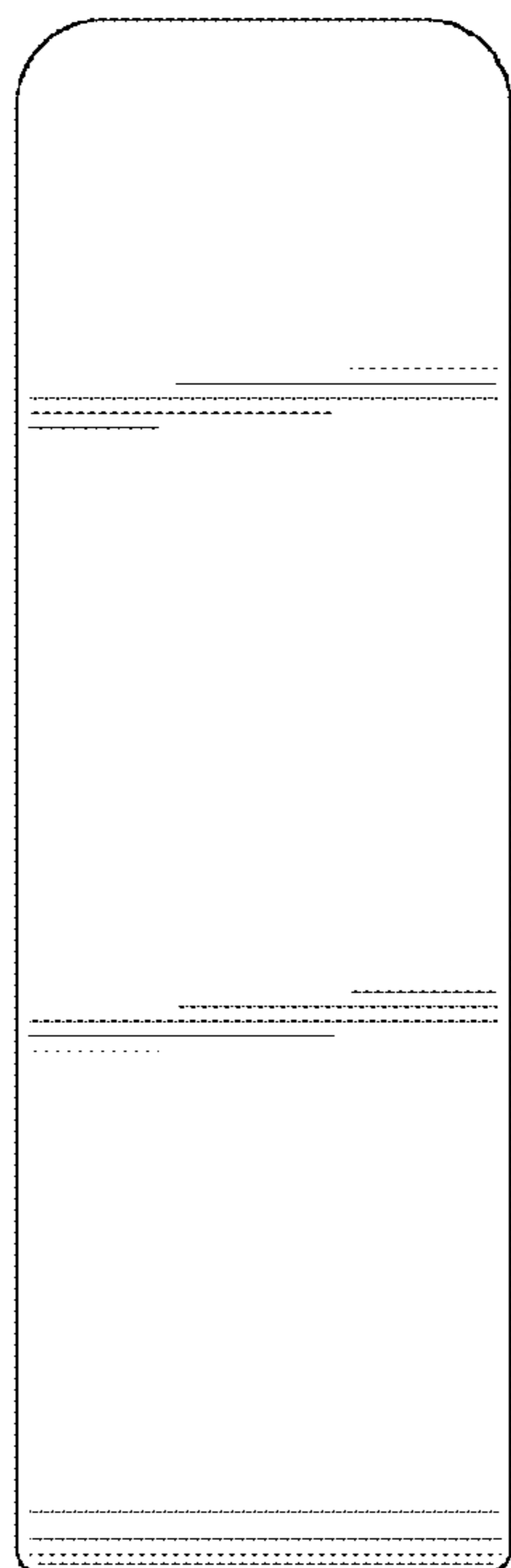


FIG. 9

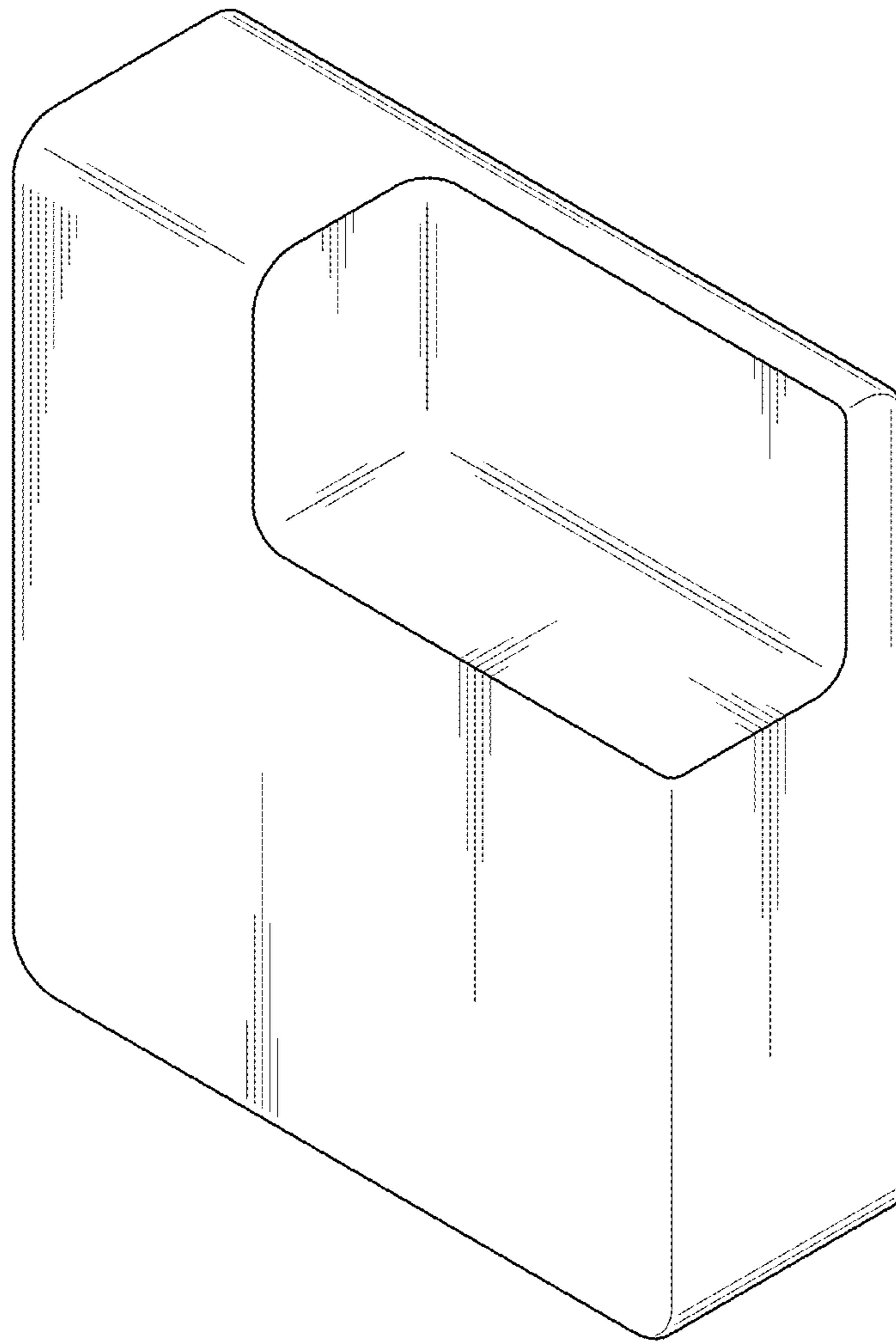


FIG. 10

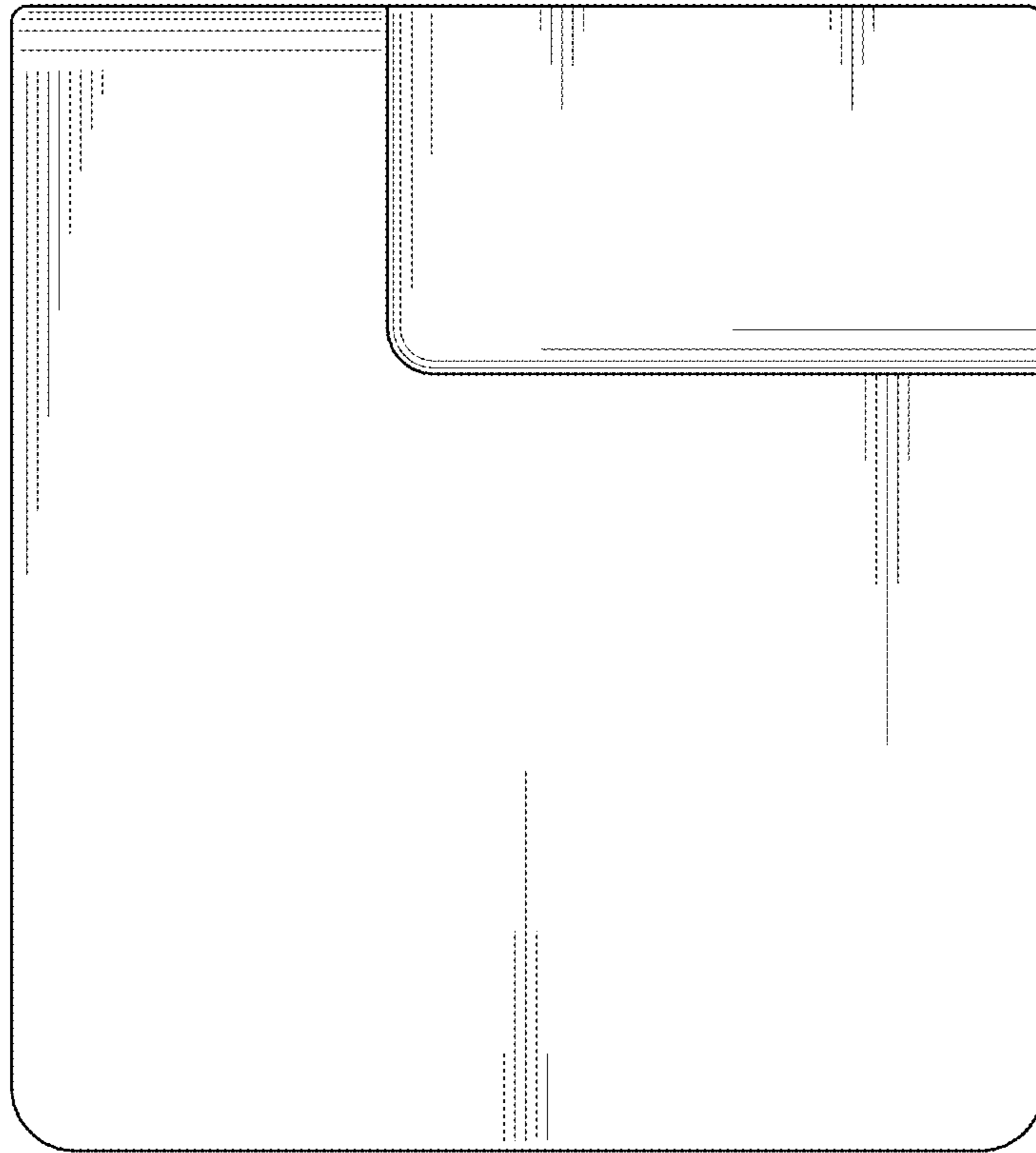


FIG. 11

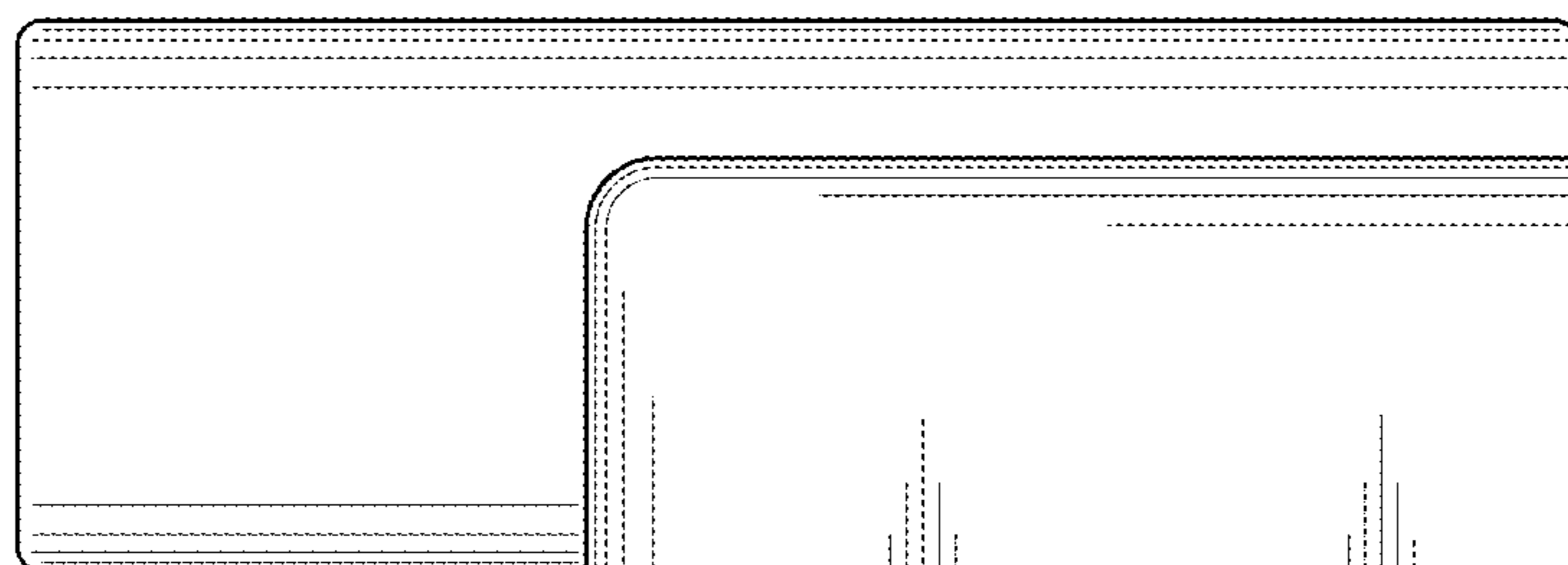


FIG. 12

