



US00D963729S

(12) **United States Design Patent**  
**Uetsuji et al.**

(10) **Patent No.:** **US D963,729 S**  
(45) **Date of Patent:** **\*\* Sep. 13, 2022**

(54) **LENS FOR CAMERA FOR IMAGE INSPECTION**

(71) Applicant: **OMRON Corporation**, Kyoto (JP)

(72) Inventors: **Yasuhito Uetsuji**, Kusatsu (JP); **Takuro Anzai**, Chigasaki (JP); **Masahiro Takayama**, Kusatsu (JP)

(73) Assignee: **OMRON Corporation**, Kyoto (JP)

(\*\*) Term: **15 Years**

(21) Appl. No.: **29/685,548**

(22) Filed: **Mar. 28, 2019**

(30) **Foreign Application Priority Data**

Oct. 22, 2018 (JP) ..... 2018-023090

(51) **LOC (13) Cl.** ..... **16-05**

(52) **U.S. Cl.**  
USPC ..... **D16/219**

(58) **Field of Classification Search**

USPC ..... D16/200, 202-206, 218, 219; 348/143, 348/148, 151, 373-376; 396/419, 427, 396/535, 539-541

CPC ..... G03B 17/02; G03B 19/04; G03B 17/56; G03B 17/04; G03B 15/03; H04N 5/2251; H04N 5/2252; H04N 5/2253; H04N 5/2254; H04N 7/181; H04N 7/183; H04N 7/18; G08B 13/1963; G08B 13/19619; G08B 13/19632; F16M 11/04; F16M 13/00

See application file for complete search history.

(56) **References Cited**

**U.S. PATENT DOCUMENTS**

D515,121 S \* 2/2006 Bleau ..... D16/202  
7,612,799 B1 \* 11/2009 Frank ..... H04N 5/33  
250/339.04

8,188,432 B1 \* 5/2012 Nguyen ..... H04N 5/2252  
250/353  
D745,589 S \* 12/2015 Lee ..... D16/218  
D754,230 S \* 4/2016 Mori ..... D16/218  
D760,312 S \* 6/2016 Lee ..... D16/218  
D774,584 S \* 12/2016 Walters ..... D16/200  
D788,835 S \* 6/2017 Wu ..... D16/218  
D816,751 S \* 5/2018 Harrison ..... D16/200  
D849,110 S \* 5/2019 Khubani ..... D16/218  
D896,294 S \* 9/2020 Bennett ..... D16/202  
2019/0116298 A1 \* 4/2019 Tsai ..... B60R 11/04

\* cited by examiner

*Primary Examiner* — Ramzi Almatrahi

(74) *Attorney, Agent, or Firm* — Metrolex IP Law Group, PLLC

(57) **CLAIM**

The ornamental design for a lens for camera for image inspection, as shown and described.

**DESCRIPTION**

FIG. 1 is a top, front and right side perspective view of a lens for camera for image inspection;  
FIG. 2 is a bottom, rear and left side perspective view thereof;  
FIG. 3 is a front view thereof;  
FIG. 4 is a rear view thereof;  
FIG. 5 is a top view thereof;  
FIG. 6 is a bottom view thereof;  
FIG. 7 is a right side view thereof; and,  
FIG. 8 is a left side view thereof.

The broken lines depict portions of the lens for camera for image inspection in which the design is embodied that form no part of the claimed design.

**1 Claim, 4 Drawing Sheets**

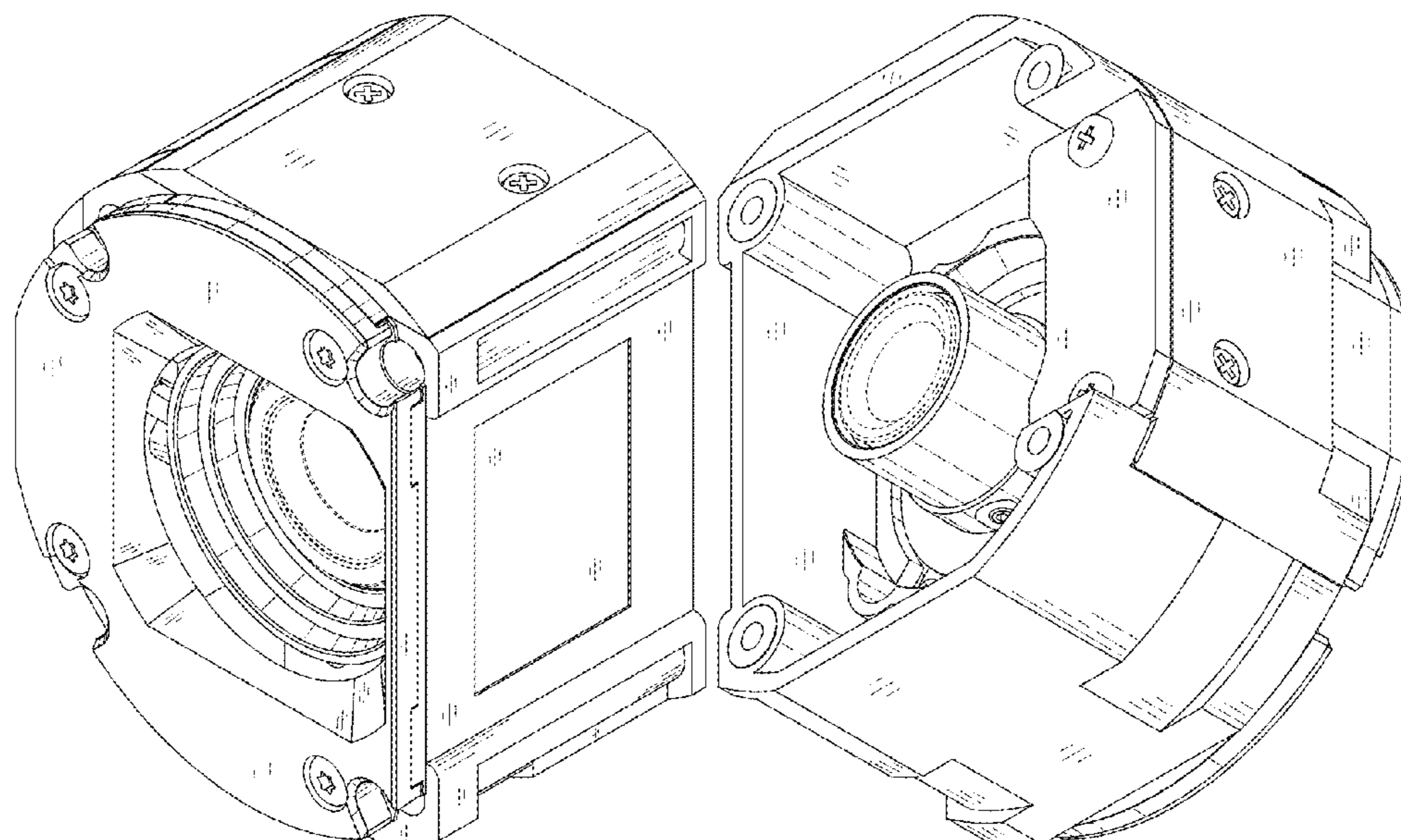


FIG. 1

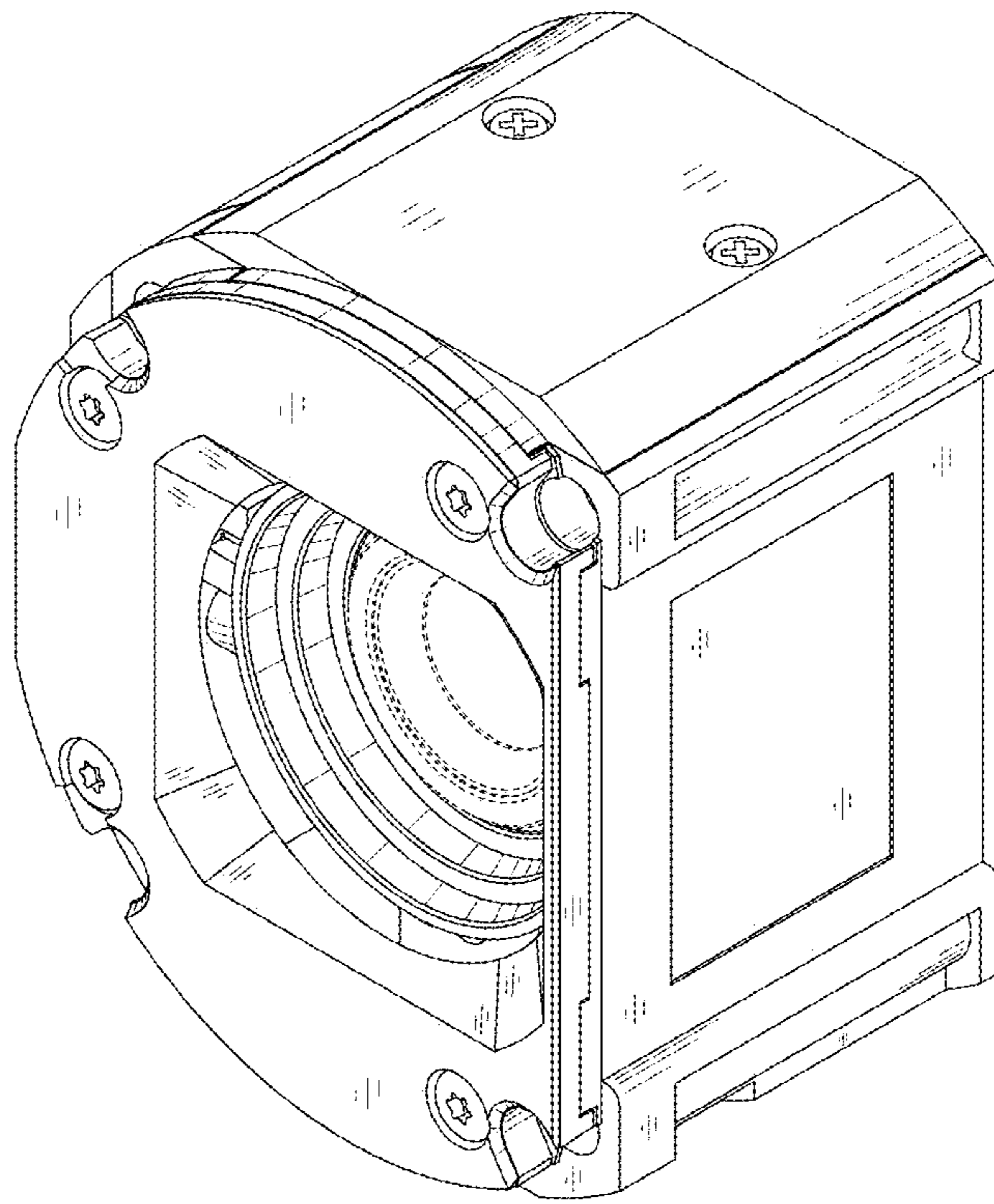


FIG. 2

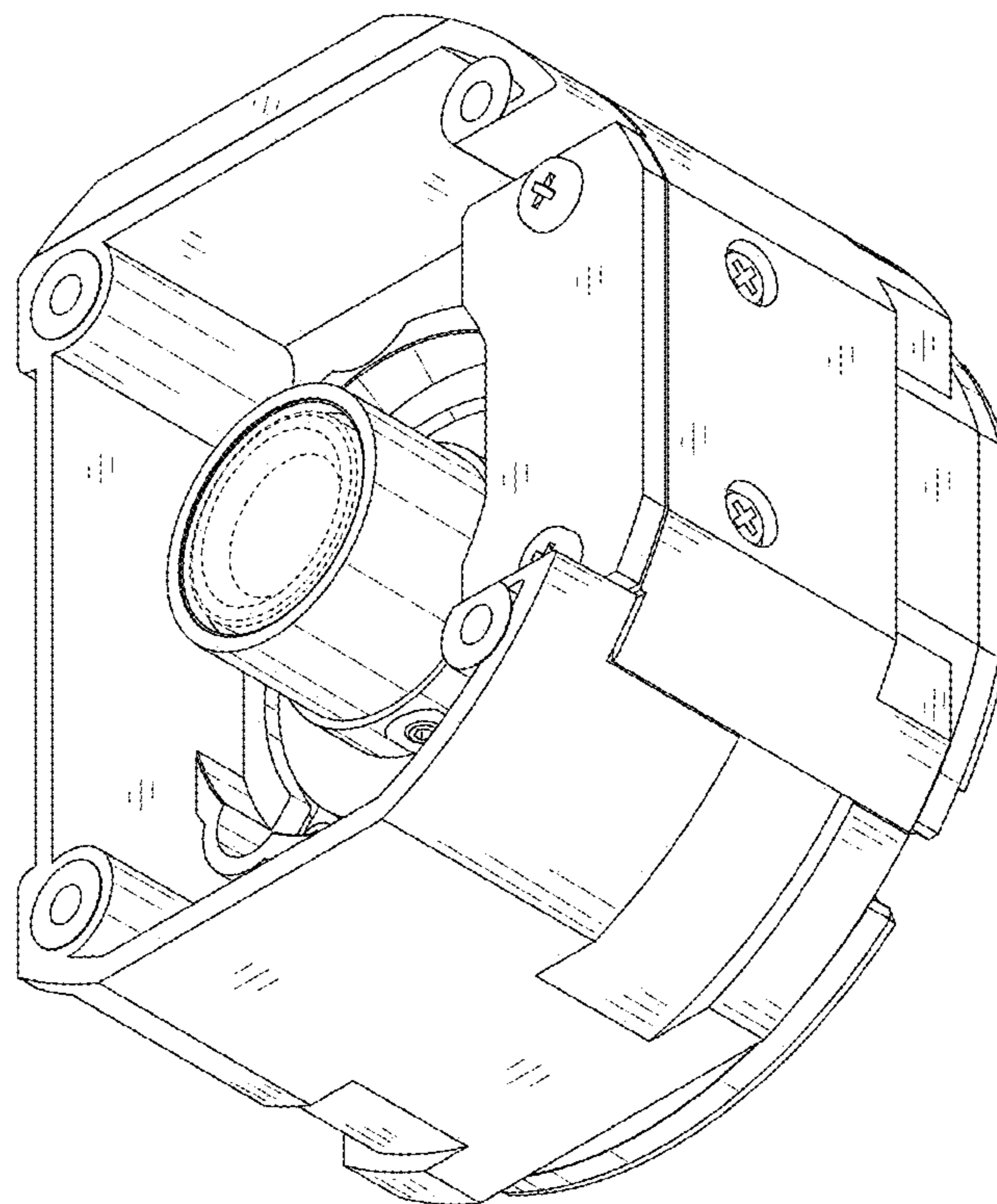


FIG. 3

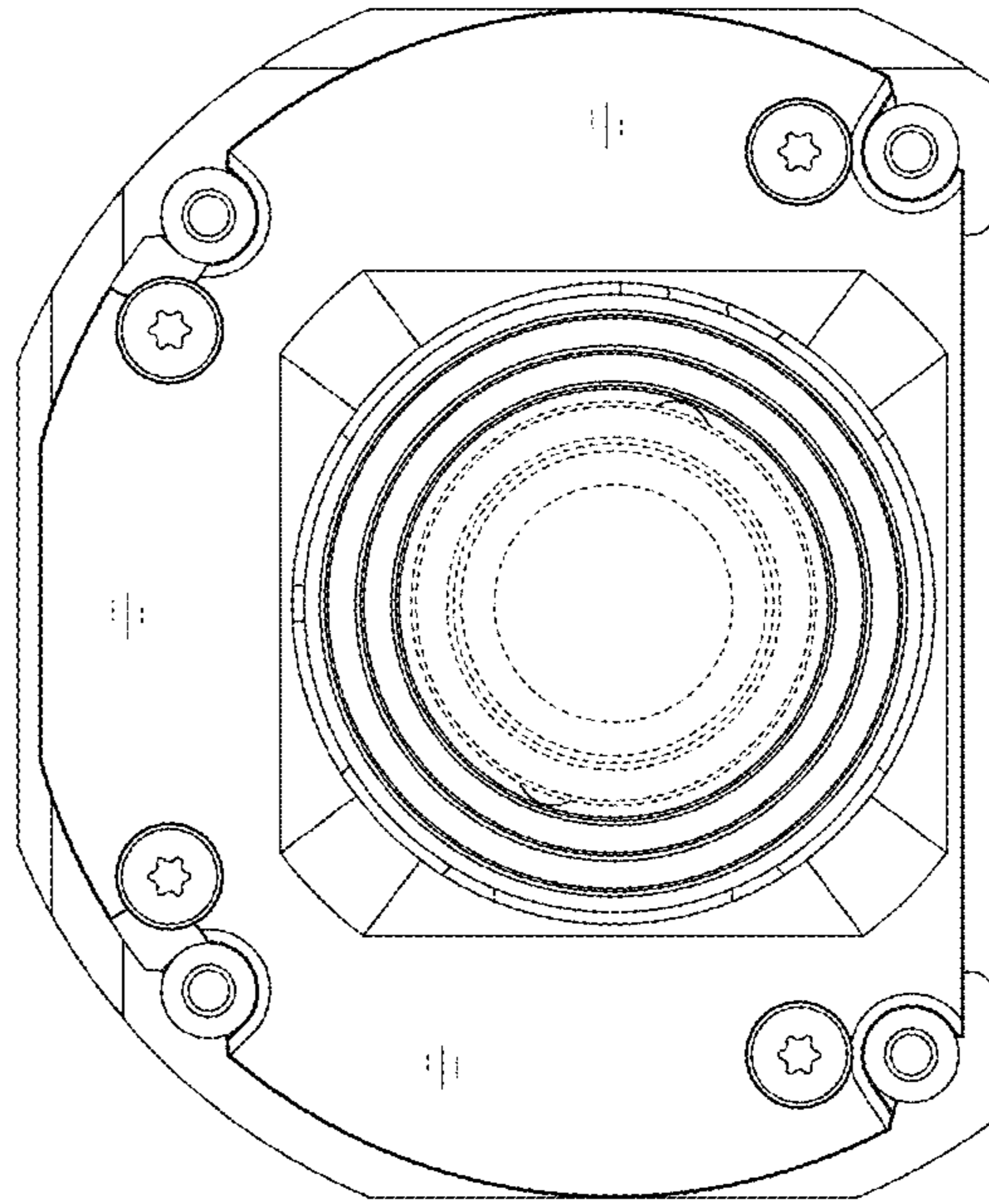


FIG. 4

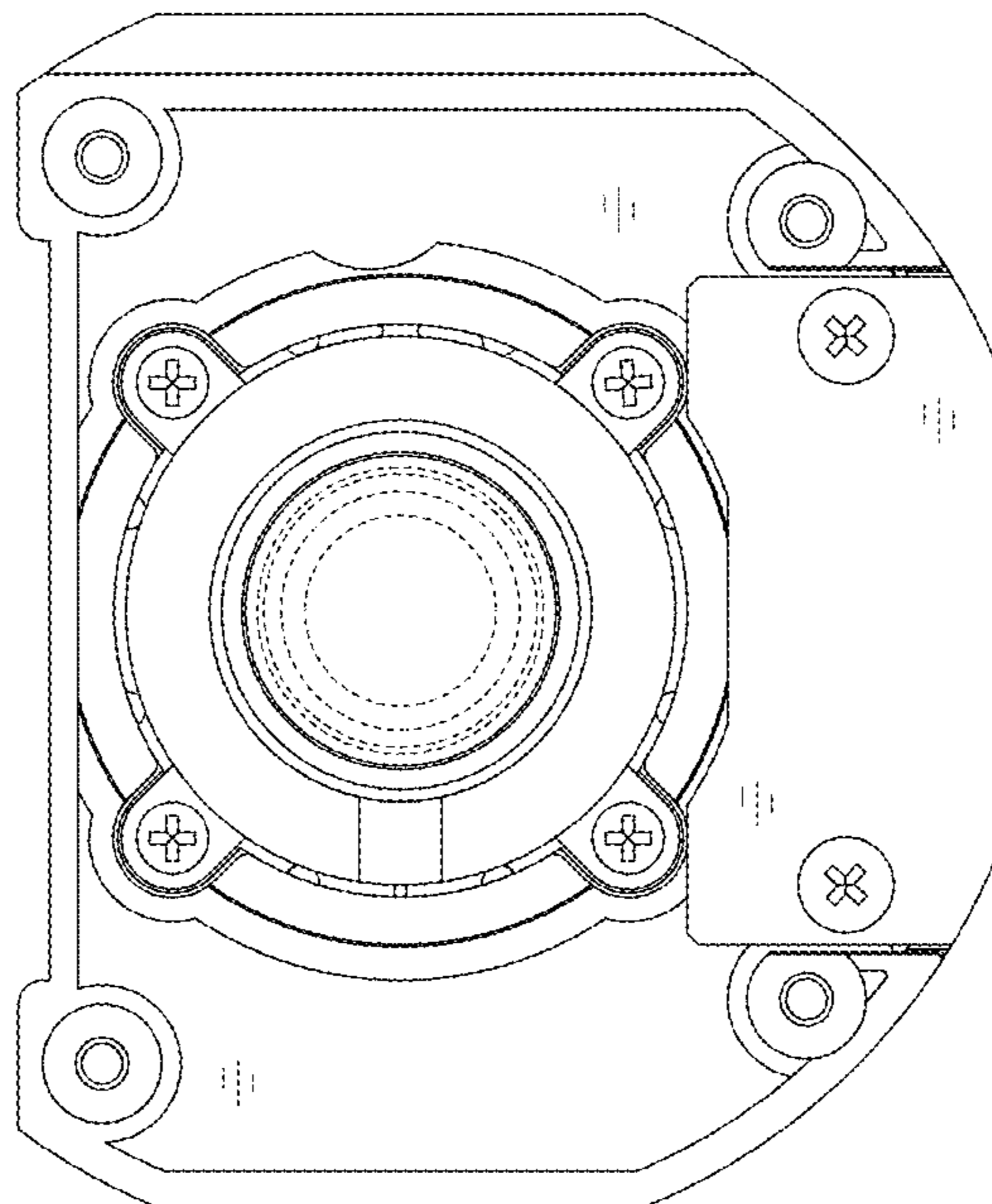


FIG. 5

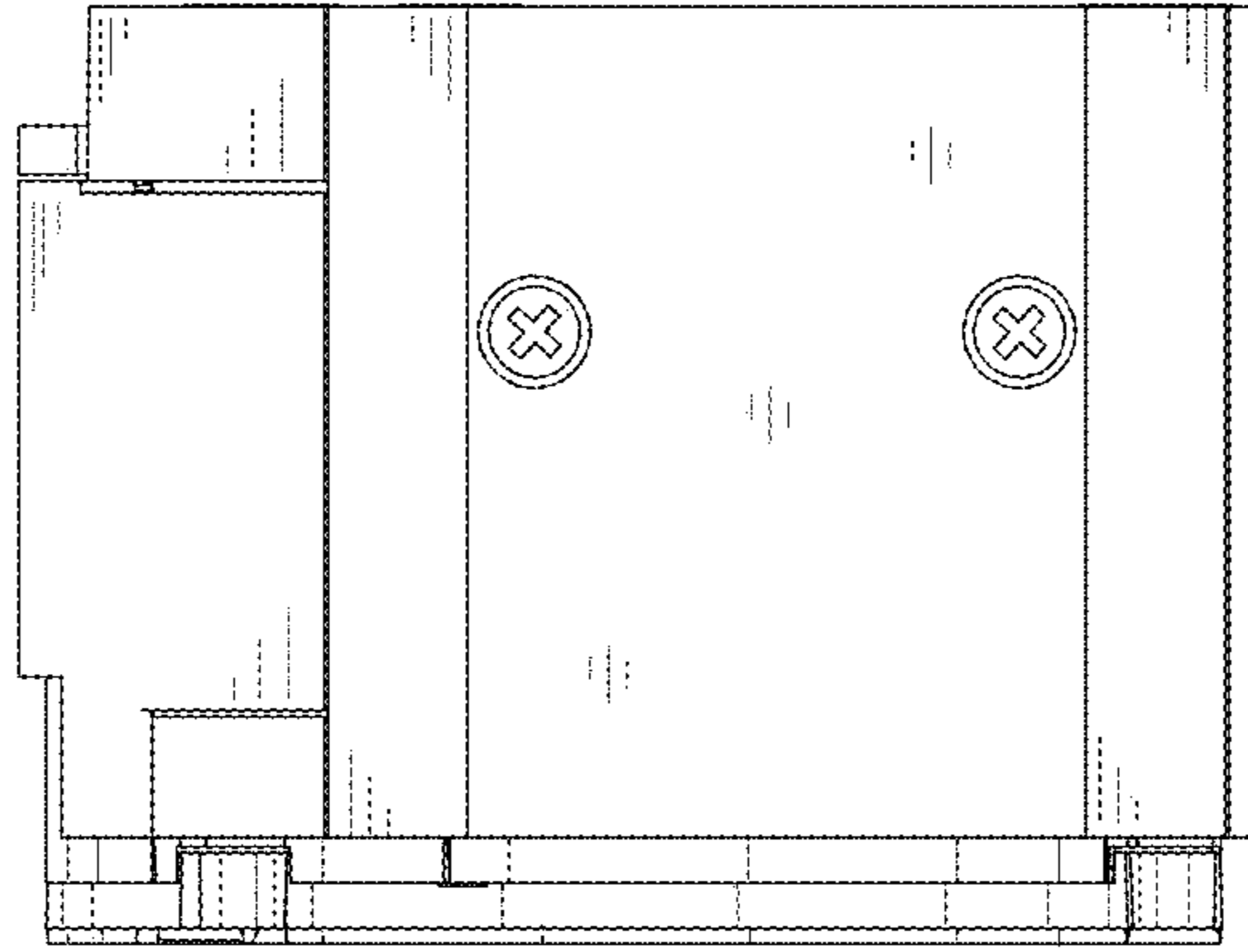


FIG. 6

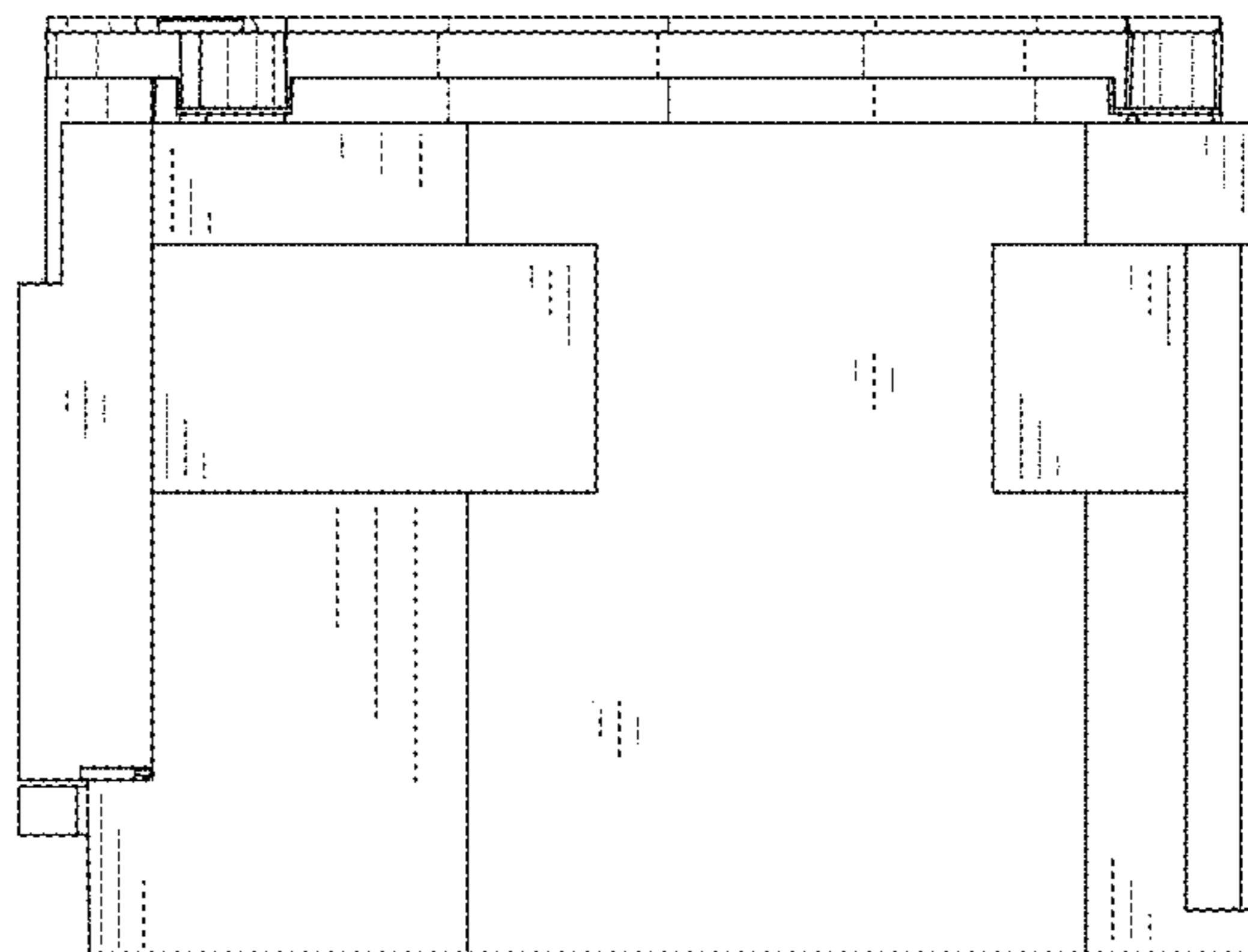


FIG. 7

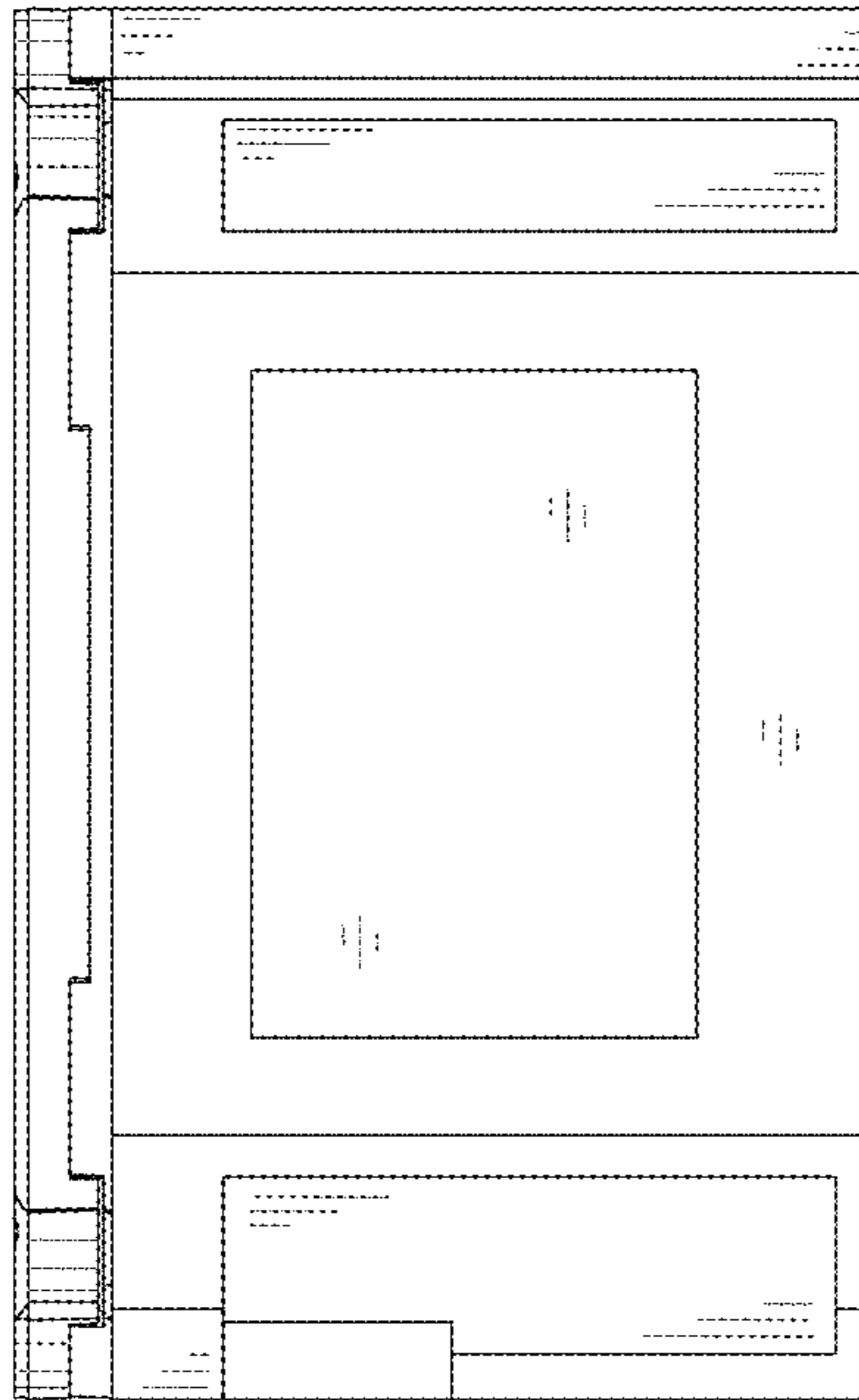


FIG. 8

