



US00D963728S

(12) **United States Design Patent**
Liu et al.

(10) **Patent No.:** **US D963,728 S**
(45) **Date of Patent:** **** Sep. 13, 2022**

(54) **IP CAMERA**

(71) Applicants: **Deli Liu**, Shenzhen (CN); **Xionghui Chen**, Shenzhen (CN)

(72) Inventors: **Deli Liu**, Shenzhen (CN); **Xionghui Chen**, Shenzhen (CN)

(**) Term: **15 Years**

(21) Appl. No.: **29/806,888**

(22) Filed: **Sep. 7, 2021**

(51) **LOC (13) Cl.** **16-01**

(52) **U.S. Cl.**
USPC **D16/203**

(58) **Field of Classification Search**
USPC D16/200, 202–206, 218, 219, 242;
348/143, 148, 151, 373–376; 396/419,
396/427, 535, 539–541
CPC G03B 17/02; G03B 19/04; G03B 17/56;
G03B 17/04; G03B 15/03; H04N 5/2251;
H04N 5/2252; H04N 5/2253; H04N
5/2254; H04N 7/181; H04N 7/183; H04N
7/18; G08B 13/1963; G08B 13/19619;
G08B 13/19632; F16M 11/04; F16M
13/00

See application file for complete search history.

(56) **References Cited**

U.S. PATENT DOCUMENTS

D585,926 S * 2/2009 Su D16/203
D634,345 S * 3/2011 Kim D16/203
D637,640 S * 5/2011 Park D16/203
D691,187 S * 10/2013 Seo D16/203
D739,888 S * 9/2015 Liang D16/203

D809,046 S * 1/2018 Hatcher D16/202
D823,369 S * 7/2018 Wang D16/203
D827,013 S * 8/2018 Ahman D16/203
D827,691 S * 9/2018 Zhong D16/203
D857,078 S * 8/2019 Xue D16/203
D874,534 S * 2/2020 Matsuo D16/202
D881,970 S * 4/2020 Peng D16/203
D918,982 S * 5/2021 Dan
D940,226 S * 1/2022 Wang D16/203

* cited by examiner

Primary Examiner — Ramzi Almatrahi

(74) *Attorney, Agent, or Firm* — Che-Yang Chen; Law Office of Michael Chen

(57) **CLAIM**

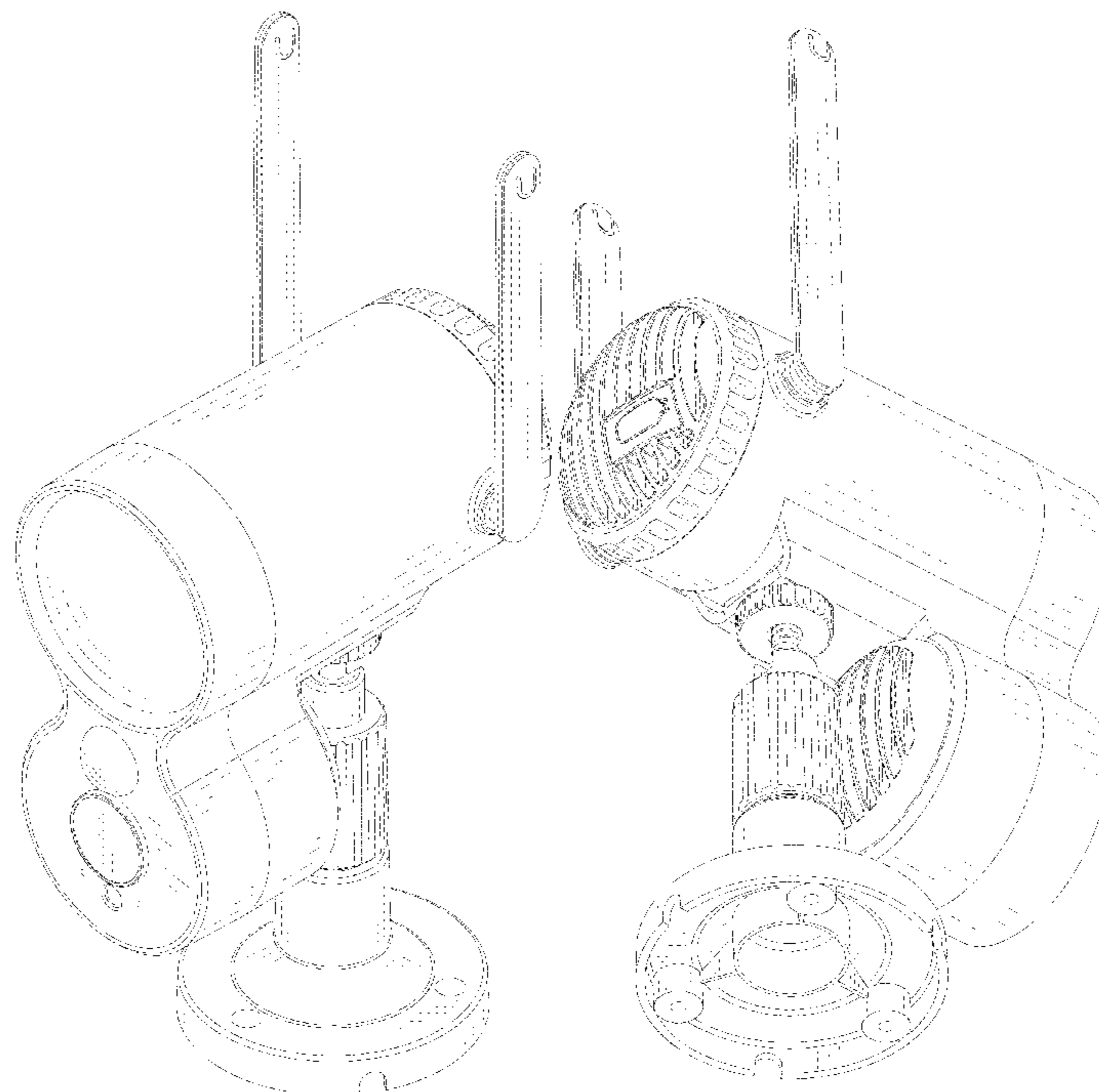
The ornamental design for an IP camera, as shown and described.

DESCRIPTION

FIG. 1 is a top, front and right side perspective view of an IP camera showing my new design;
FIG. 2 is a bottom, rear and left side perspective view thereof;
FIG. 3 is a front elevational view thereof;
FIG. 4 is a rear elevational view thereof;
FIG. 5 is a left side elevational view thereof;
FIG. 6 is a right side elevational view thereof;
FIG. 7 is a top plan view thereof; and,
FIG. 8 is a bottom plan view thereof.

The broken lines depict portions of the IP camera in which the design is embodied that form no part of the claimed design.

1 Claim, 8 Drawing Sheets



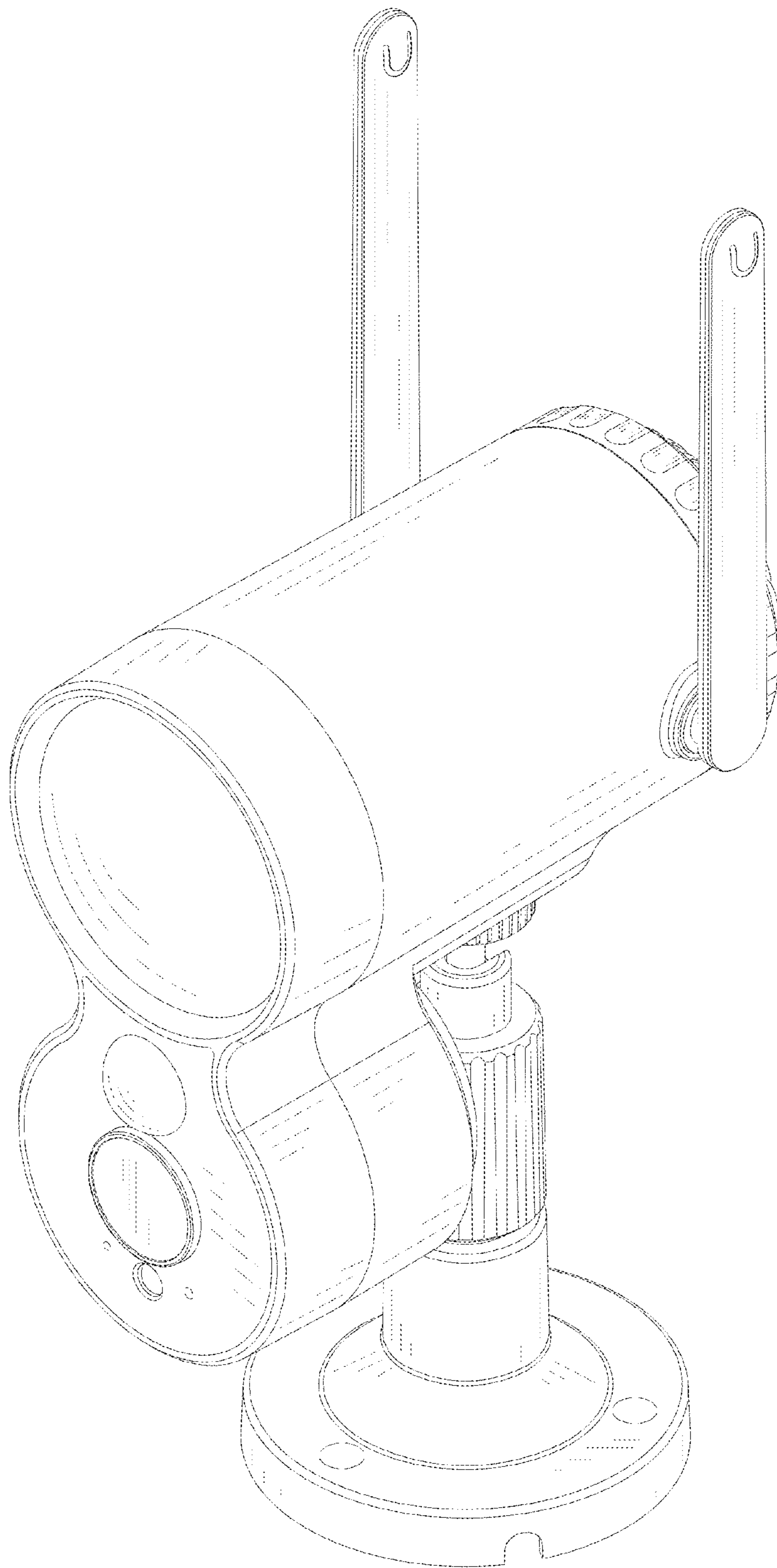


FIG.1

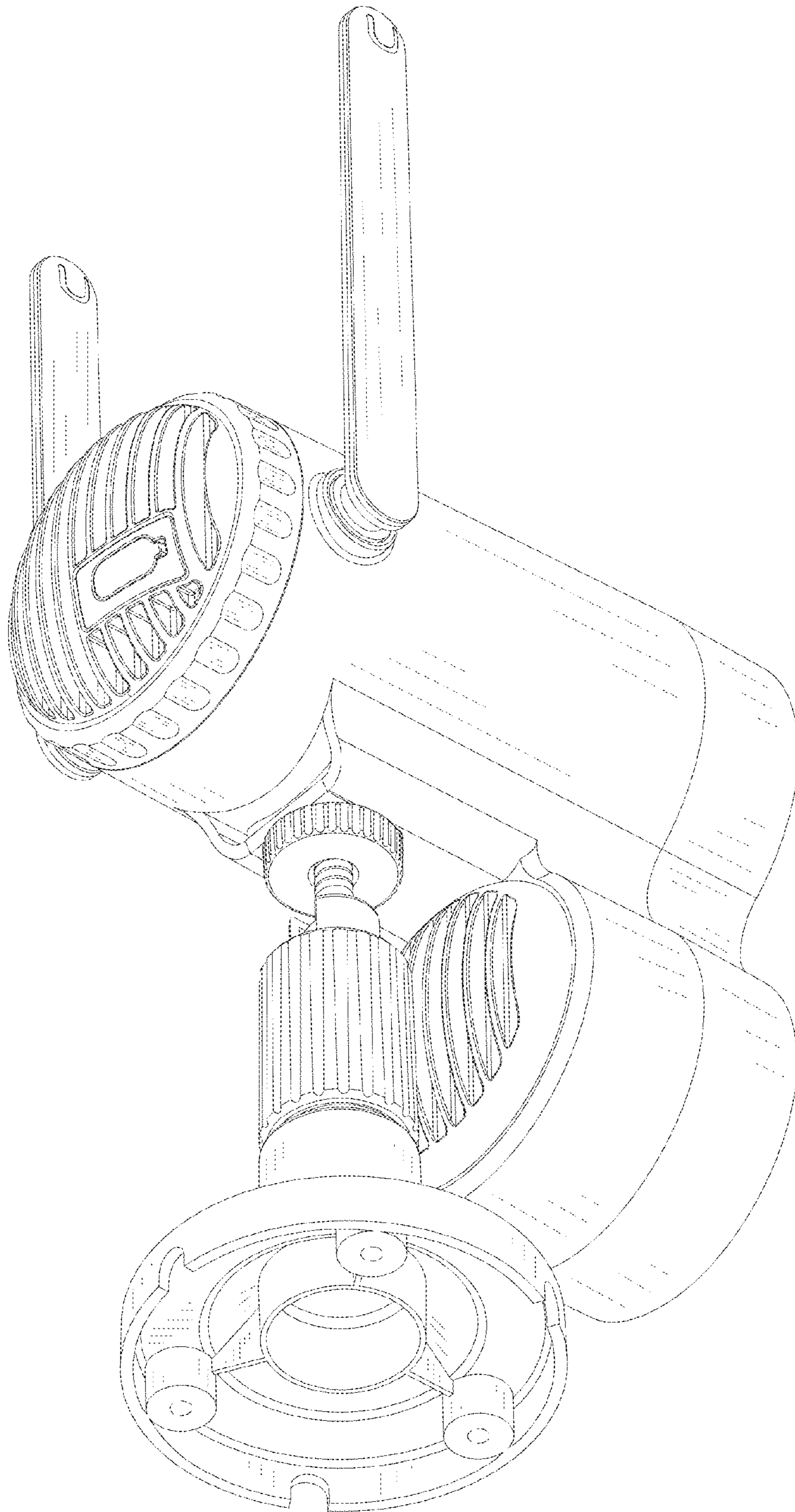


FIG. 2

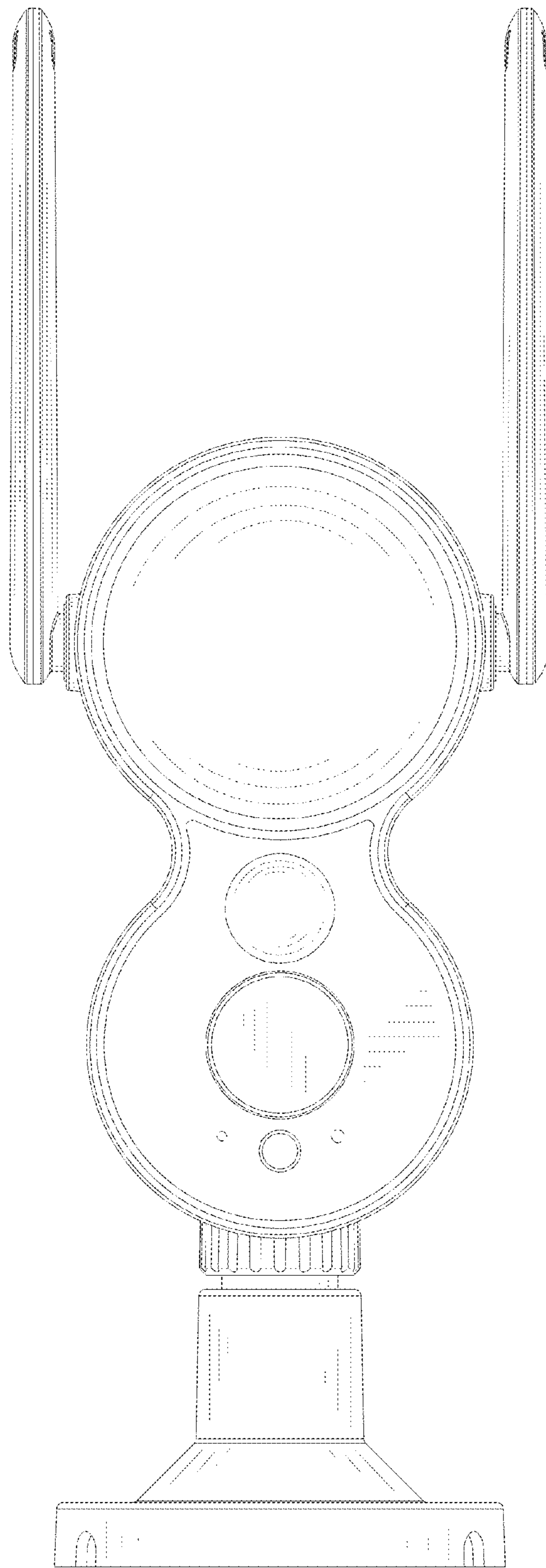


FIG. 3

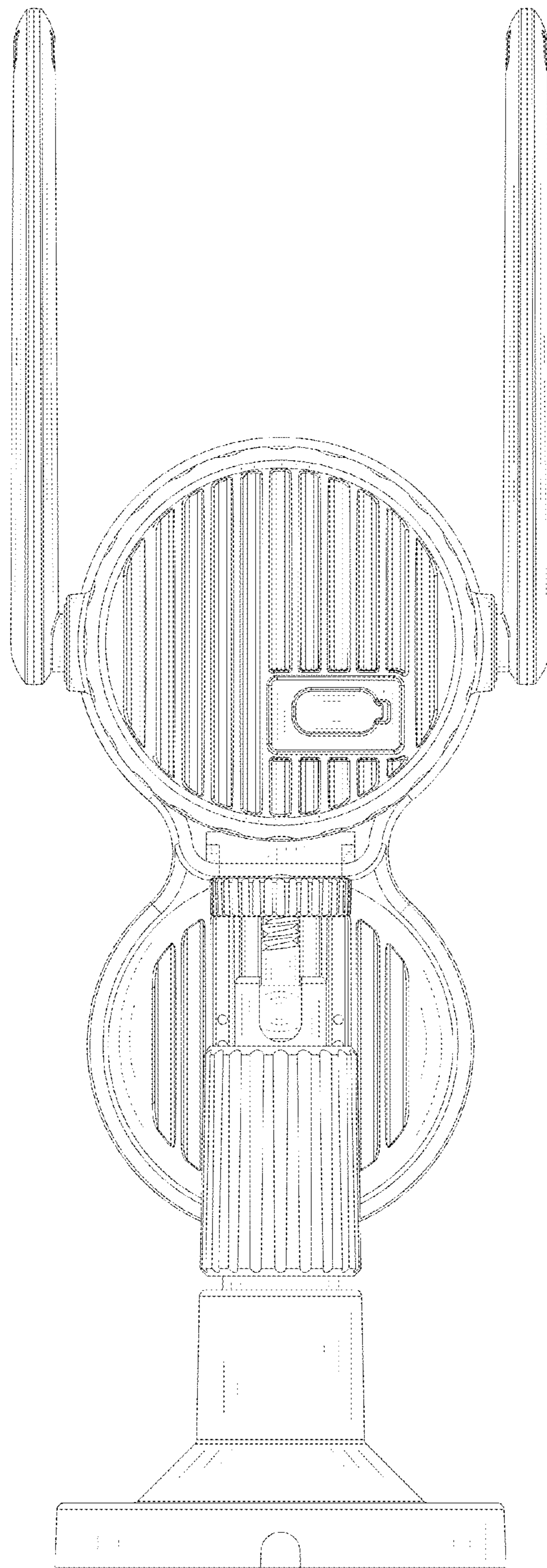


FIG. 4

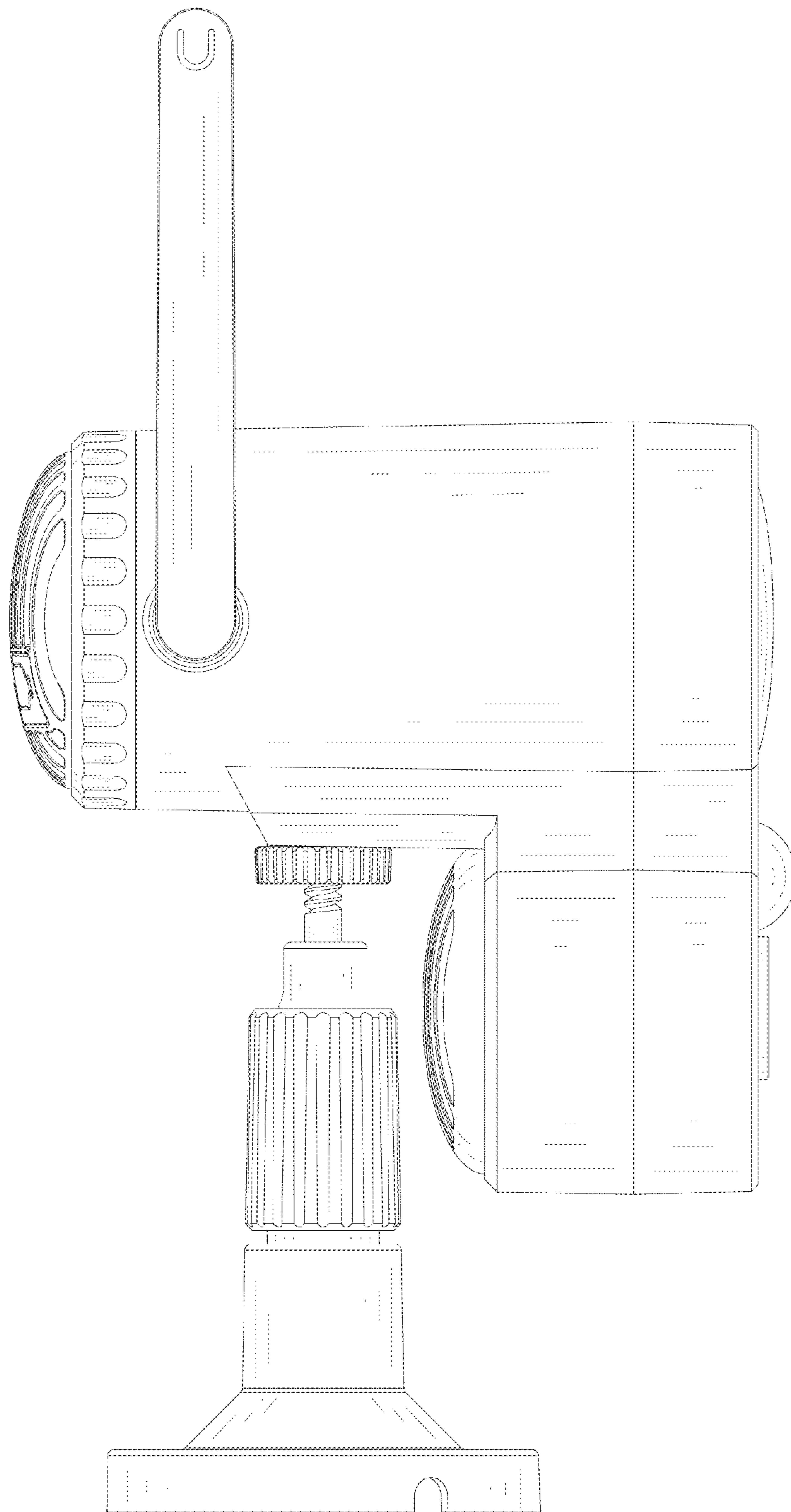


FIG.5

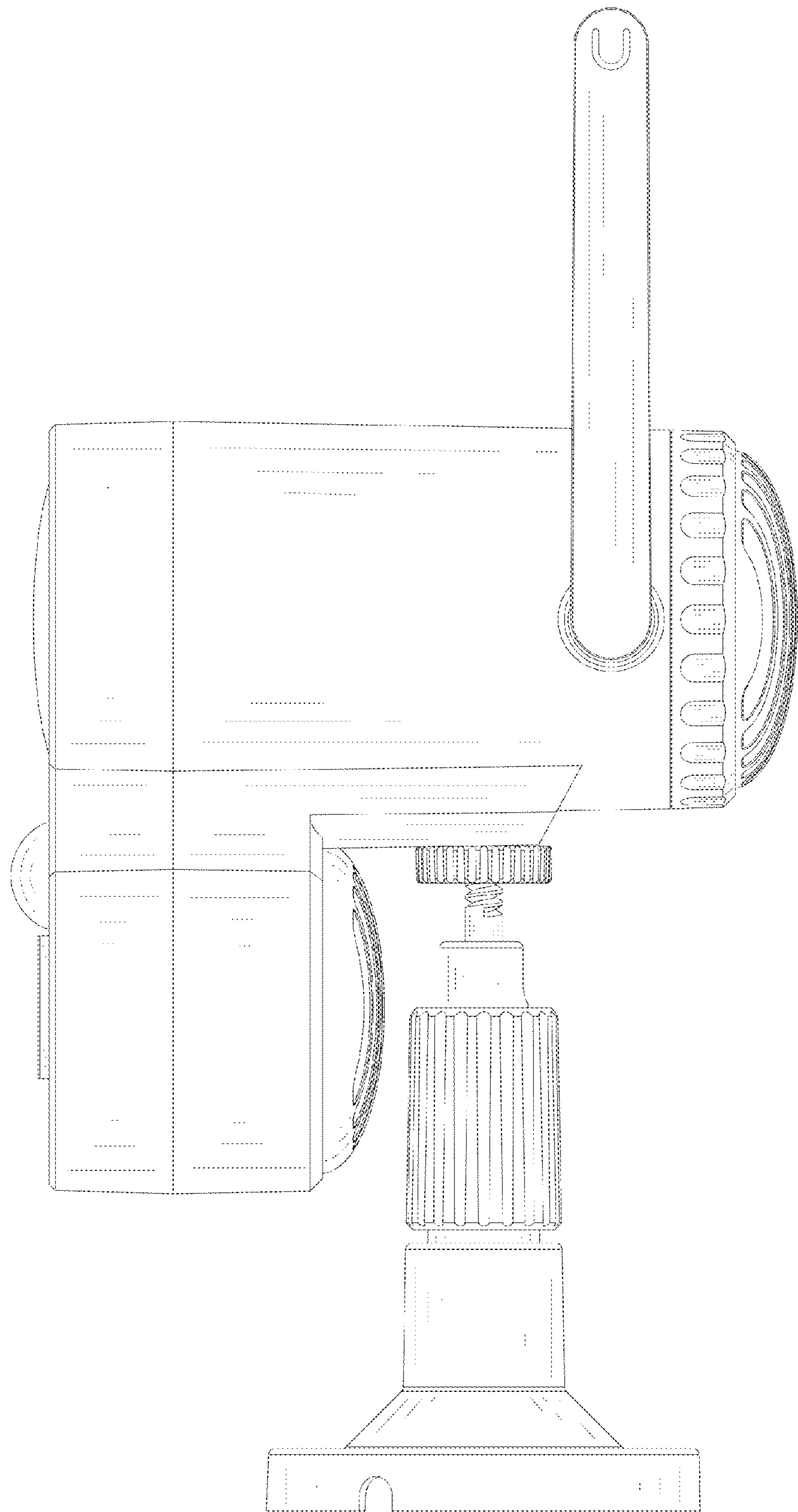


FIG. 6

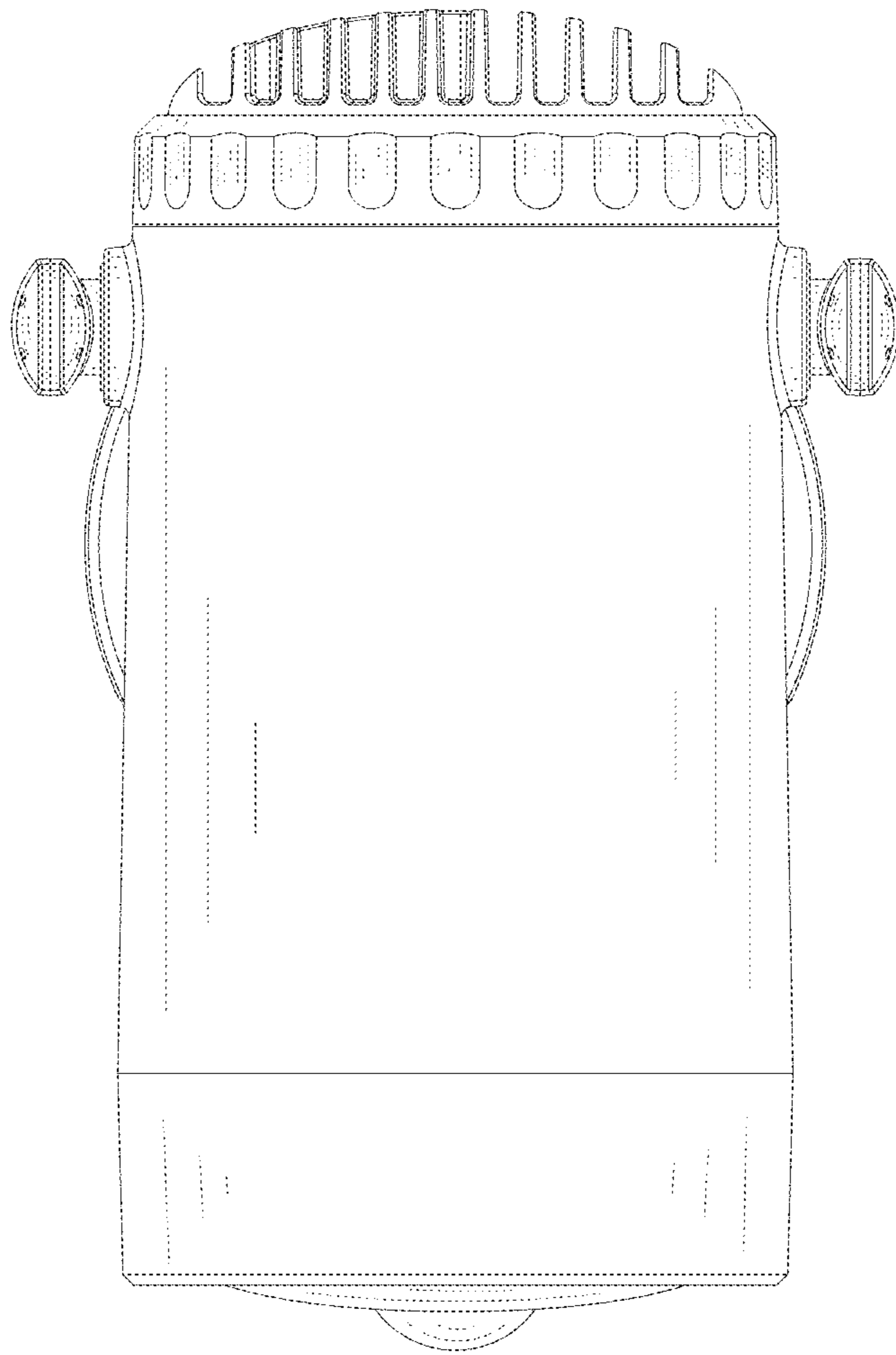


FIG. 7

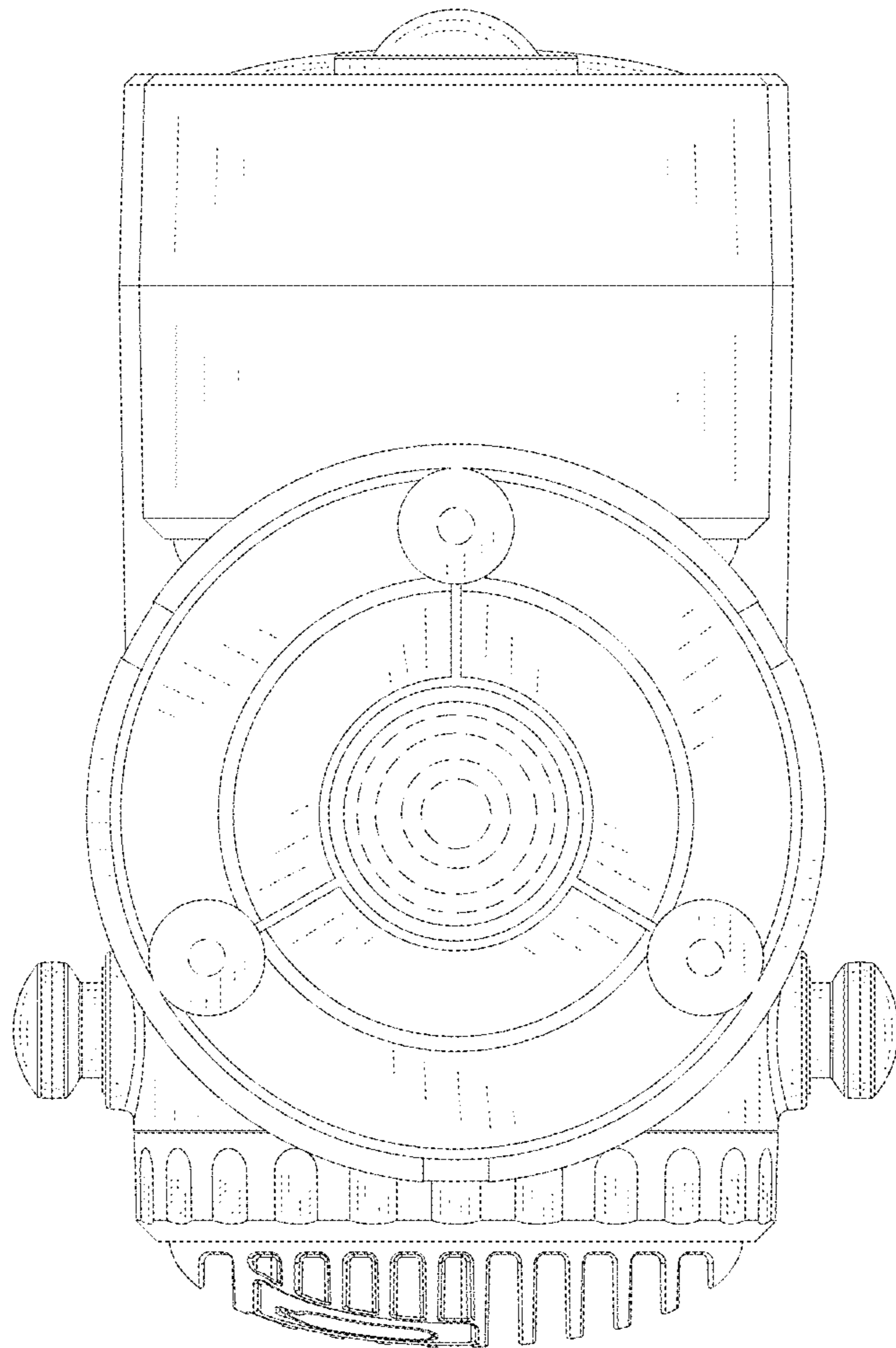


FIG. 8