



US00D963727S

(12) **United States Design Patent** (10) **Patent No.:** **US D963,727 S**
Lin (45) **Date of Patent:** **** Sep. 13, 2022**

(54) **SECURITY CAMERA**

FOREIGN PATENT DOCUMENTS

(71) Applicant: **SHENZHEN ANRAN SECURITY TECHNOLOGY CO., LTD.**, Shenzhen (CN)

CN 303907034 * 11/2016
CN 305948661 * 7/2020
CN 307003723 * 12/2021

(72) Inventor: **Tong Lin**, Shenzhen (CN)

OTHER PUBLICATIONS

(73) Assignee: **SHENZHEN ANRAN SECURITY TECHNOLOGY CO., LTD.**, Shenzhen (CN)

“Anran Security Cameras Wireless Outdoor with Pan Rotation 180°, Solar Security Camera Outdoor with Solar Panel, PIR Human Detection, 2-Way Talk, Night Vision, 1080P, IP65 Waterproof, S2 White” from Amazon.com, first available Jul. 13, 2021 from the internet <<https://www.amazon.com/%E3%80%90180%C2%B0Pan%E3%80%91-ANRAN-Surveillance-Detection-Waterproof/dp/B0998SQS8K/>> (Year: 2021).*

(**) Term: **15 Years**

(Continued)

(21) Appl. No.: **29/787,876**

(22) Filed: **Jun. 9, 2021**

Primary Examiner — Elizabeth J Oswecki

(51) **LOC (13) Cl.** **16-01**

Assistant Examiner — Lacey Chey Bowman

(52) **U.S. Cl.**
USPC **D16/203; D16/214**

(74) *Attorney, Agent, or Firm* — ScienBiziP, P.C.

(58) **Field of Classification Search**
USPC D16/200–203, 207–208, 213–214,
D16/218–219; D10/46, 61, 104.1, 106.6,
D10/106.7, 109.2; D14/203.1, 204,
D14/209.1, 317, 474, 496

(57) **CLAIM**

CPC G03B 17/00; G03B 17/02; G03B 2217/00;
H04N 5/2251; H04N 5/2252
See application file for complete search history.

The ornamental design for a security camera, as shown and described.

DESCRIPTION

(56) **References Cited**

U.S. PATENT DOCUMENTS

D633,121 S * 2/2011 Renkis D16/203
D784,939 S * 4/2017 Luo D14/125
D813,925 S * 3/2018 Park D16/203
D827,691 S * 9/2018 Zhong D16/203
D832,329 S * 10/2018 Li D16/203
D881,970 S * 4/2020 Peng D16/203
D908,116 S * 1/2021 Ye D14/125
D940,226 S * 1/2022 Wang D16/203

FIG. 1 is a front, left, and top perspective view of a security camera, showing my design.

FIG. 2 is a rear, right, and bottom perspective view thereof.

FIG. 3 is a left side elevation view thereof.

FIG. 4 is a right side elevation view thereof.

FIG. 5 is a front elevation view thereof.

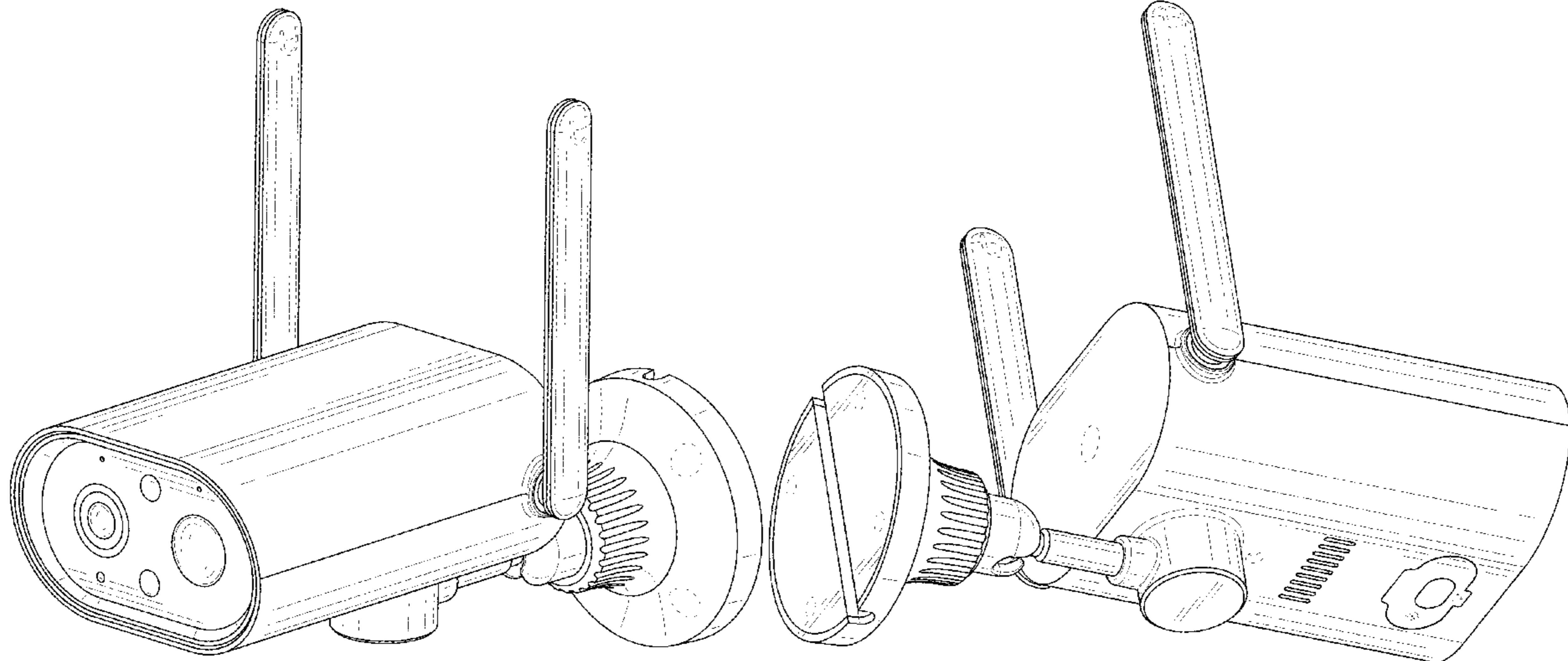
FIG. 6 is a rear elevation view thereof.

FIG. 7 is a top plan view thereof; and,

FIG. 8 is a bottom plan view thereof.

The broken lines shown in the drawings are included for the purpose of illustrating portions of the security camera that form no part of the claimed design.

1 Claim, 8 Drawing Sheets



(56)

References Cited

OTHER PUBLICATIONS

“Security Cameras Wireless Outdoor—2K Dekco Solar Security Camera for Home Security, Two-Way Audio, Smart Human Detection, Simple Setup, Night Vision WiFi Camera Outdoor” from Amazon.com, first available Feb. 28, 2022 from the internet <<https://www.amazon.com/dp/B09NDNS6R1/>> (Year: 2022).*

“Outdoor Security Camera, 3MP WiFi Surveillance Camera IP Camera IP66 Waterproof 1536P AI Human Detection Work with Alexa IR-Cut Night Vision 40M Two-Way Audio Compatible with iOS/Android SzsinoCam” from Amazon.com, first available Jan. 19, 2021 from the internet <<https://www.amazon.com/Surveillance-Waterproof-Detection-Compatible-SZSINOCAM/dp/B08TBV6BRL?th=1>> (Year: 2021).*

* cited by examiner

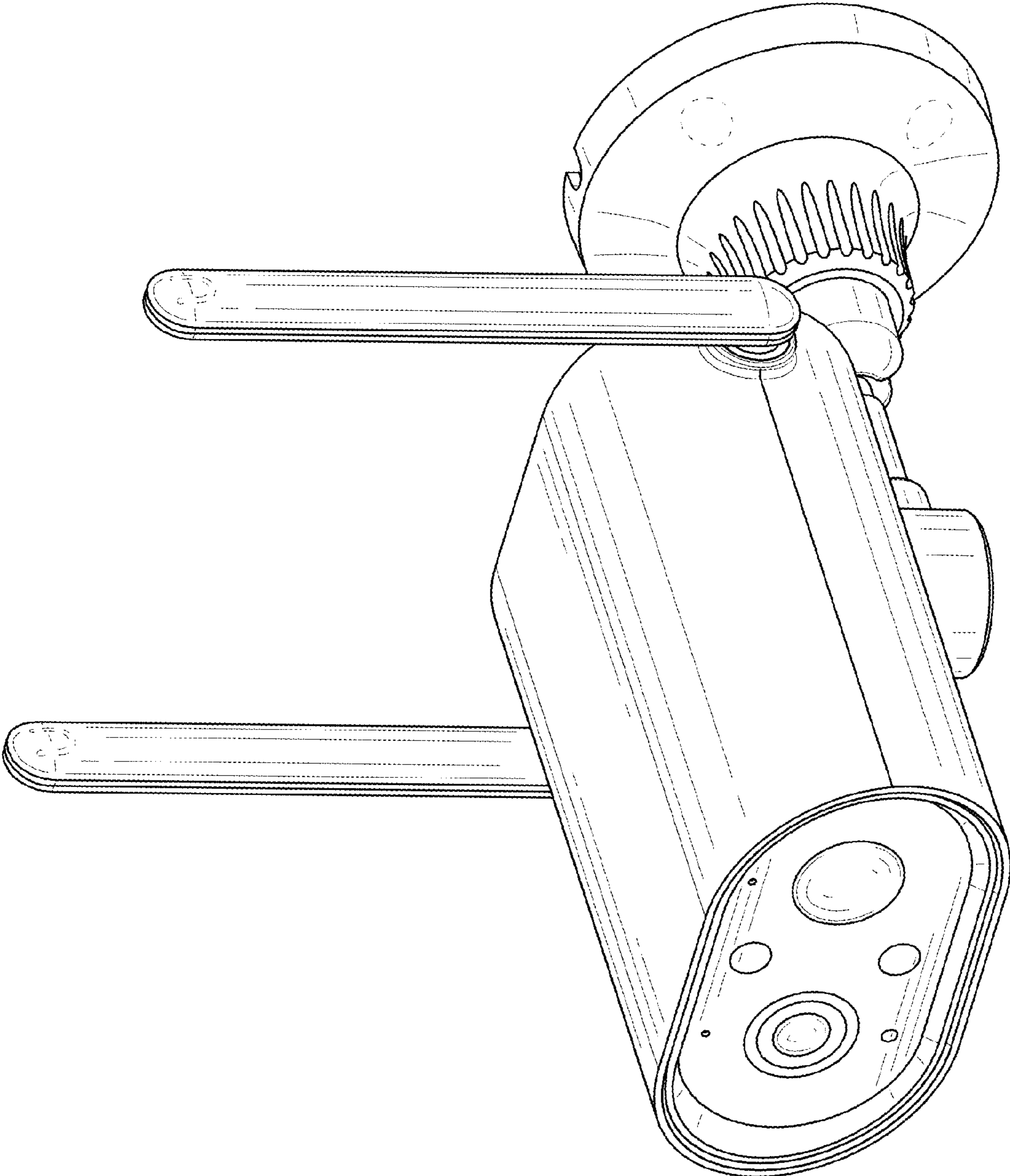


FIG. 1

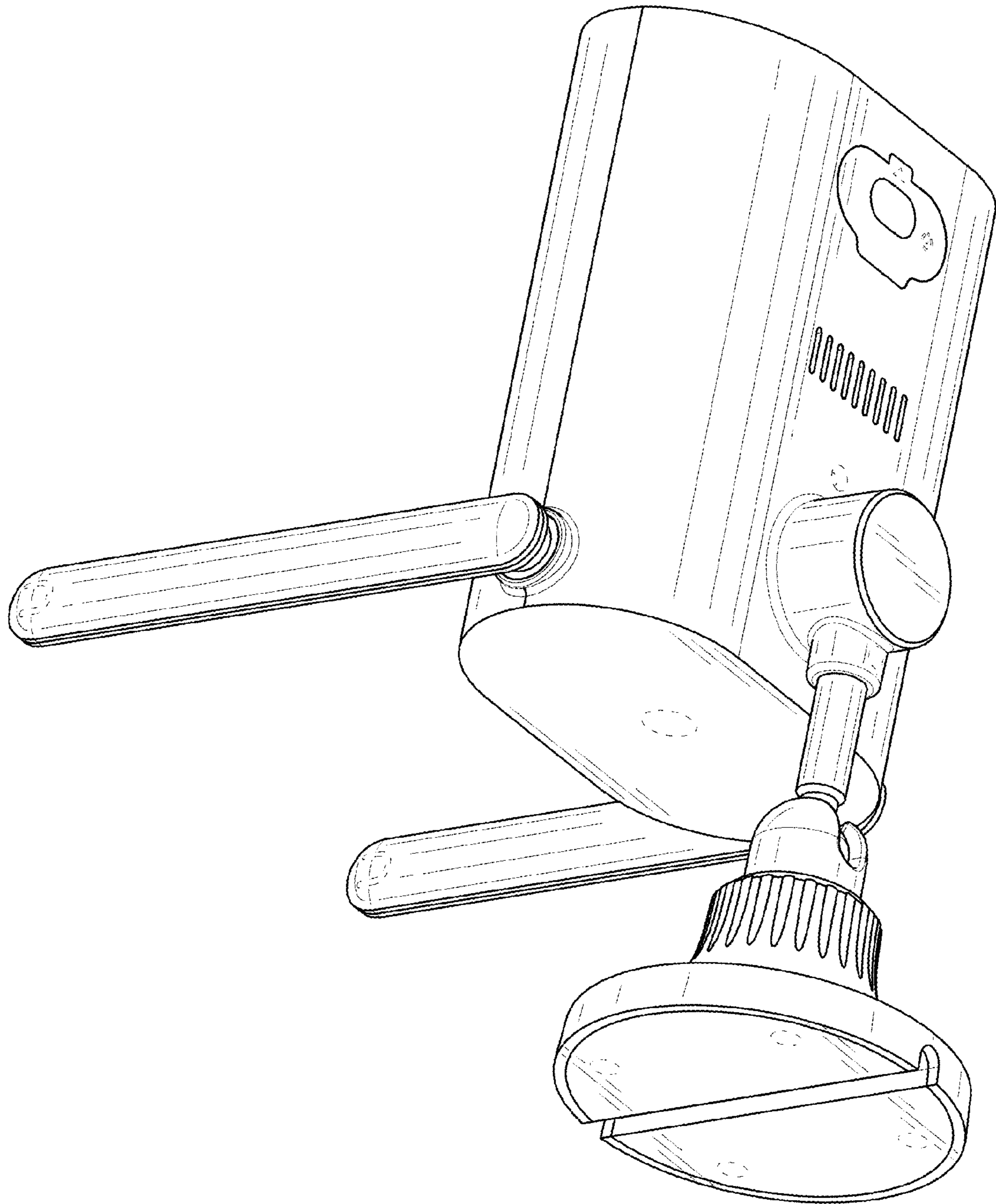


FIG. 2

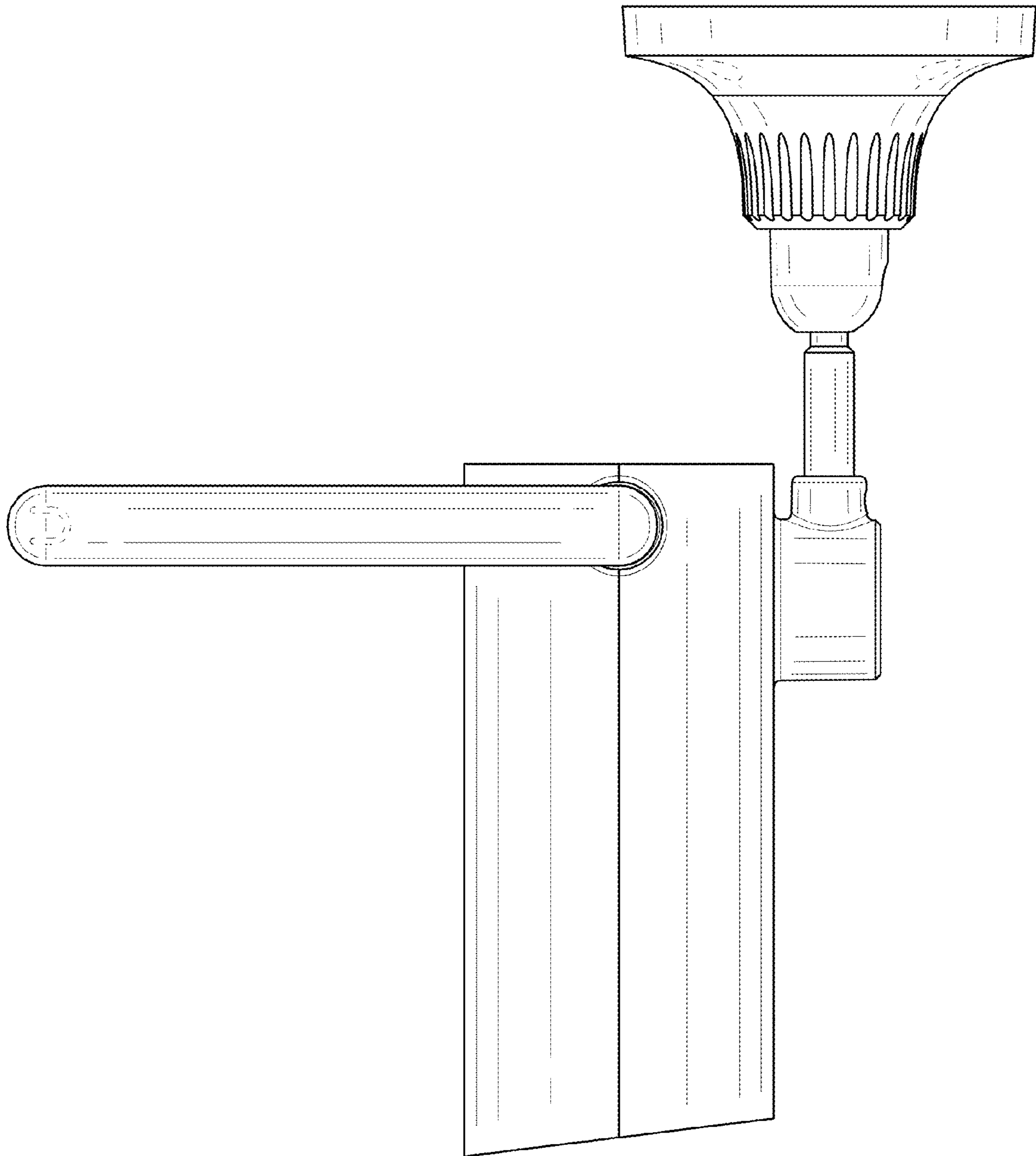


FIG. 3

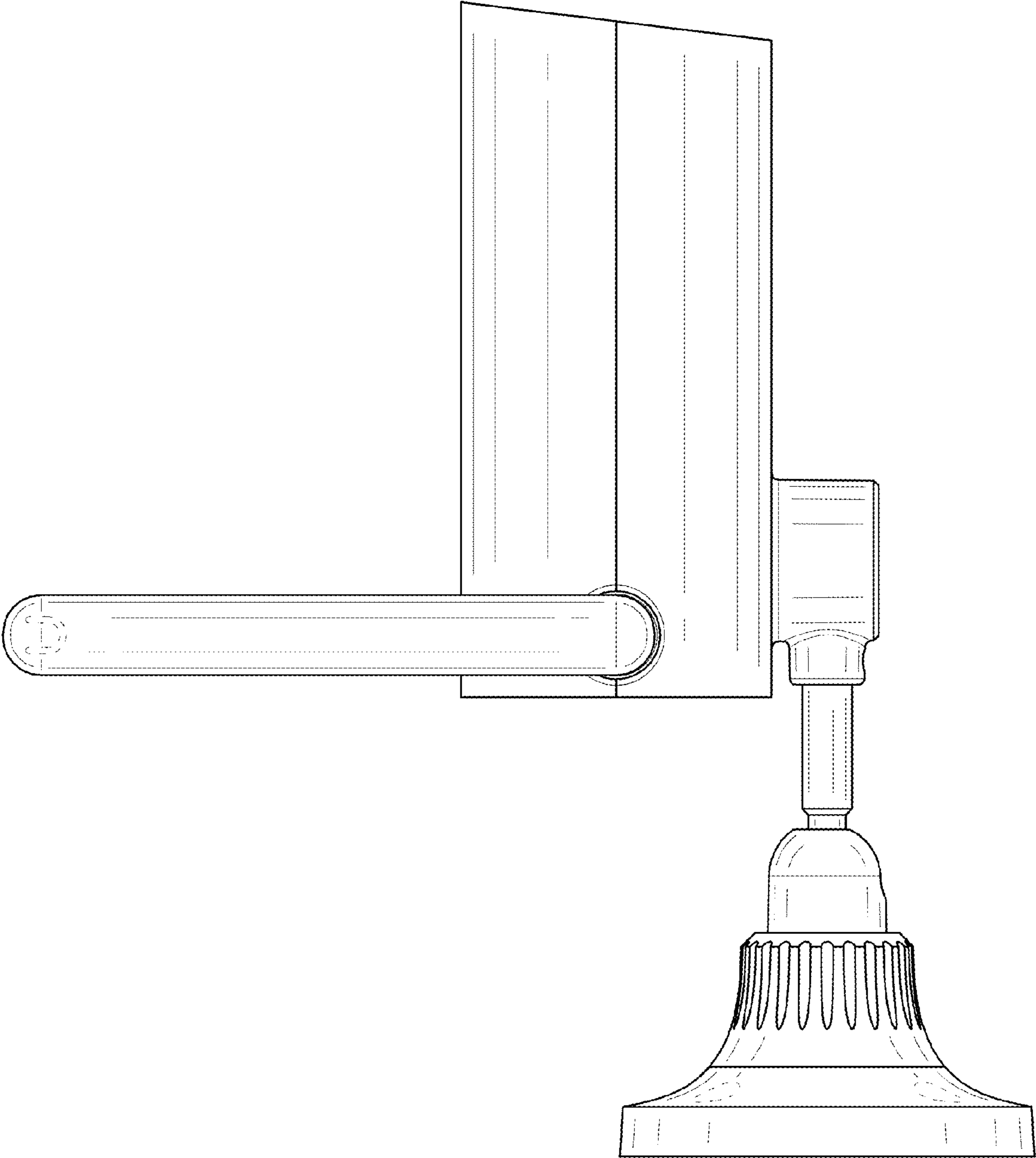


FIG. 4

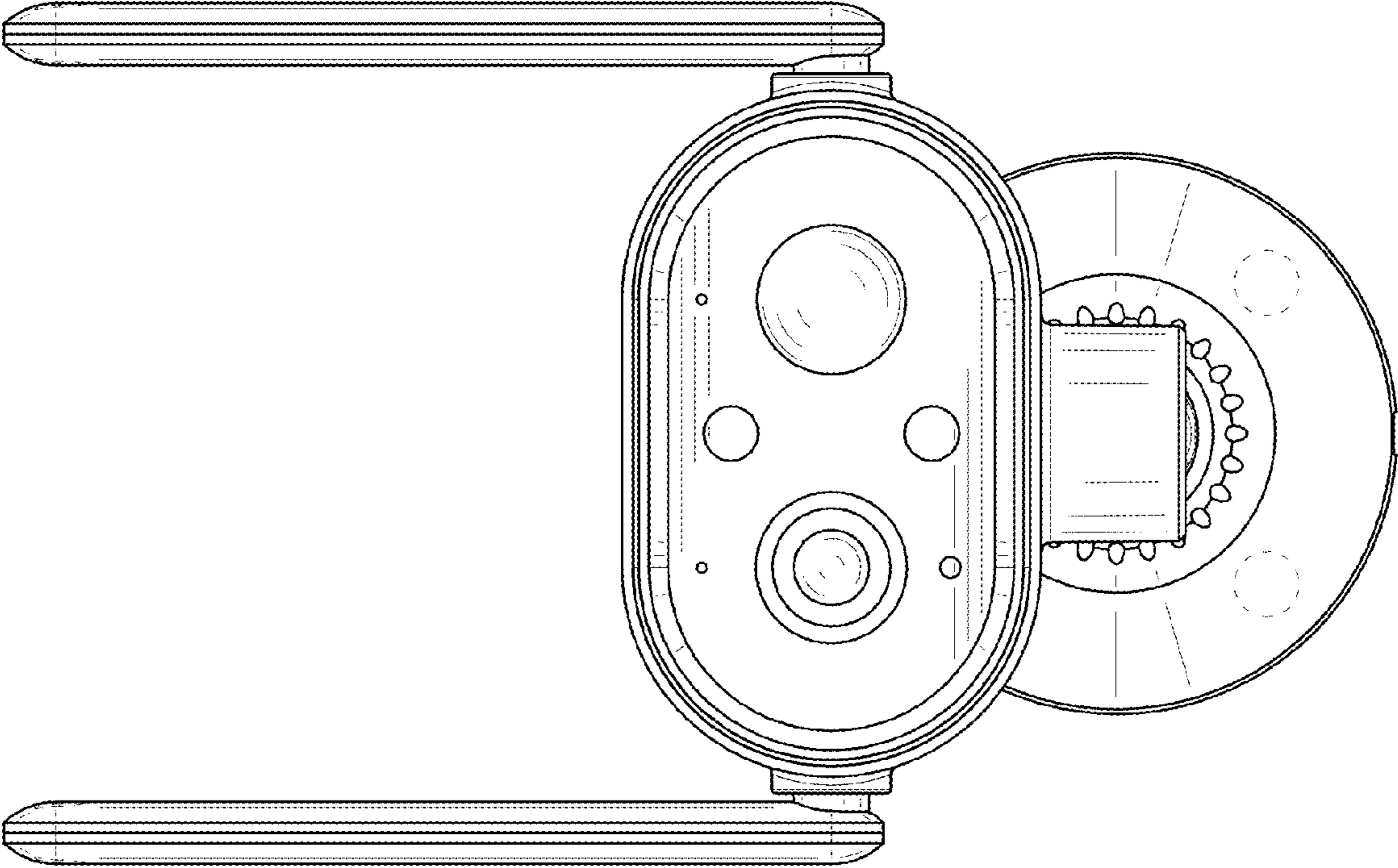


FIG. 5

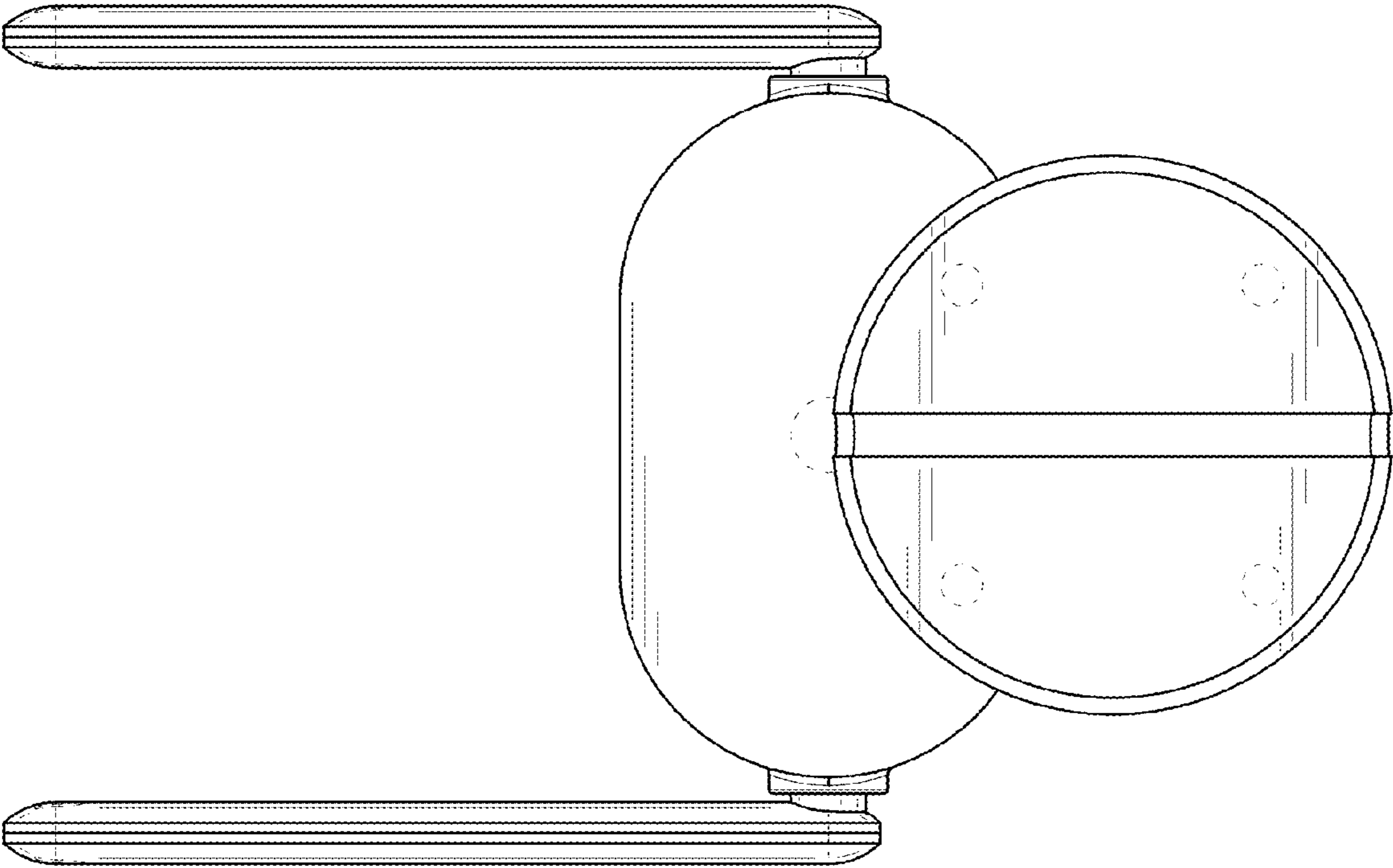


FIG. 6

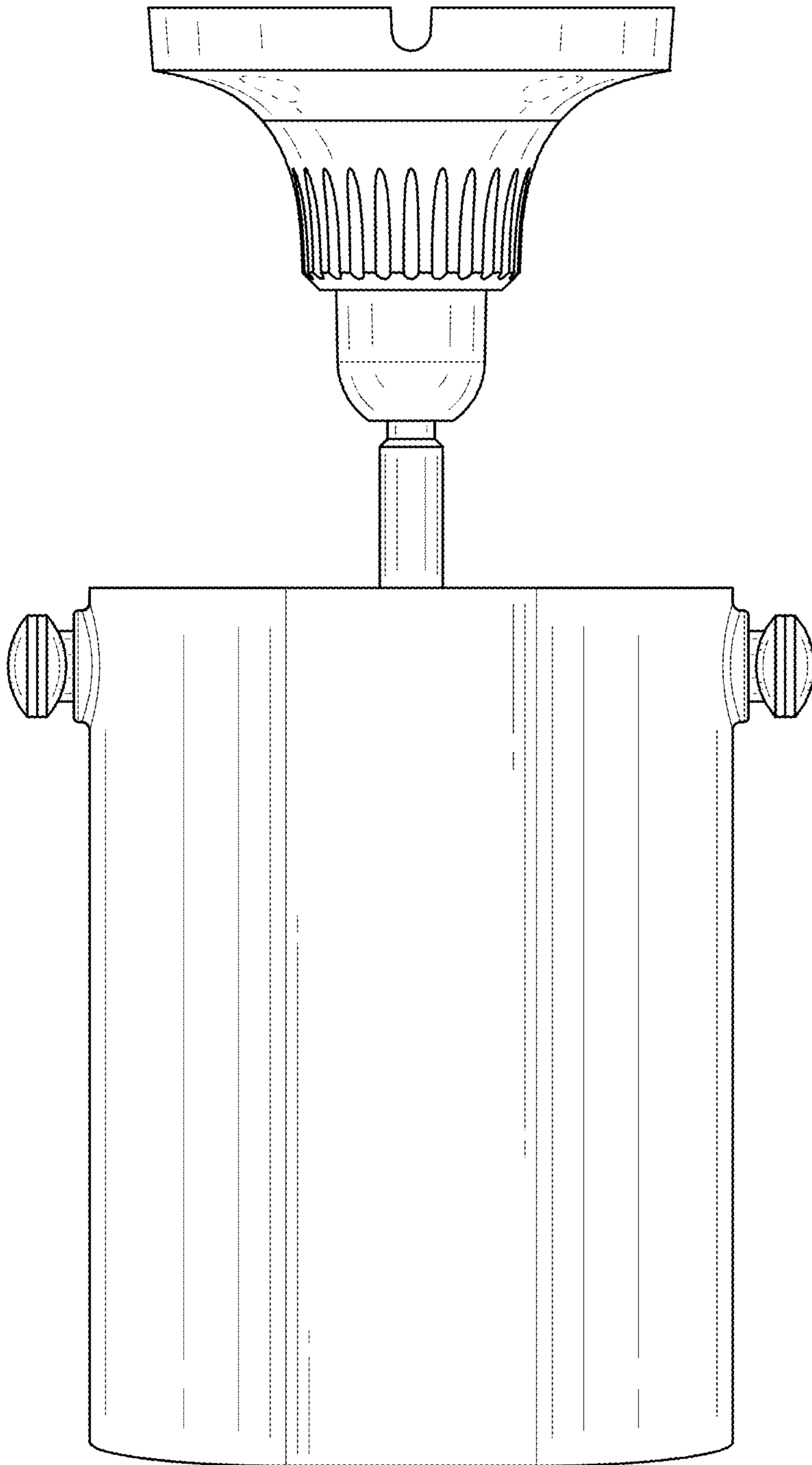


FIG. 7

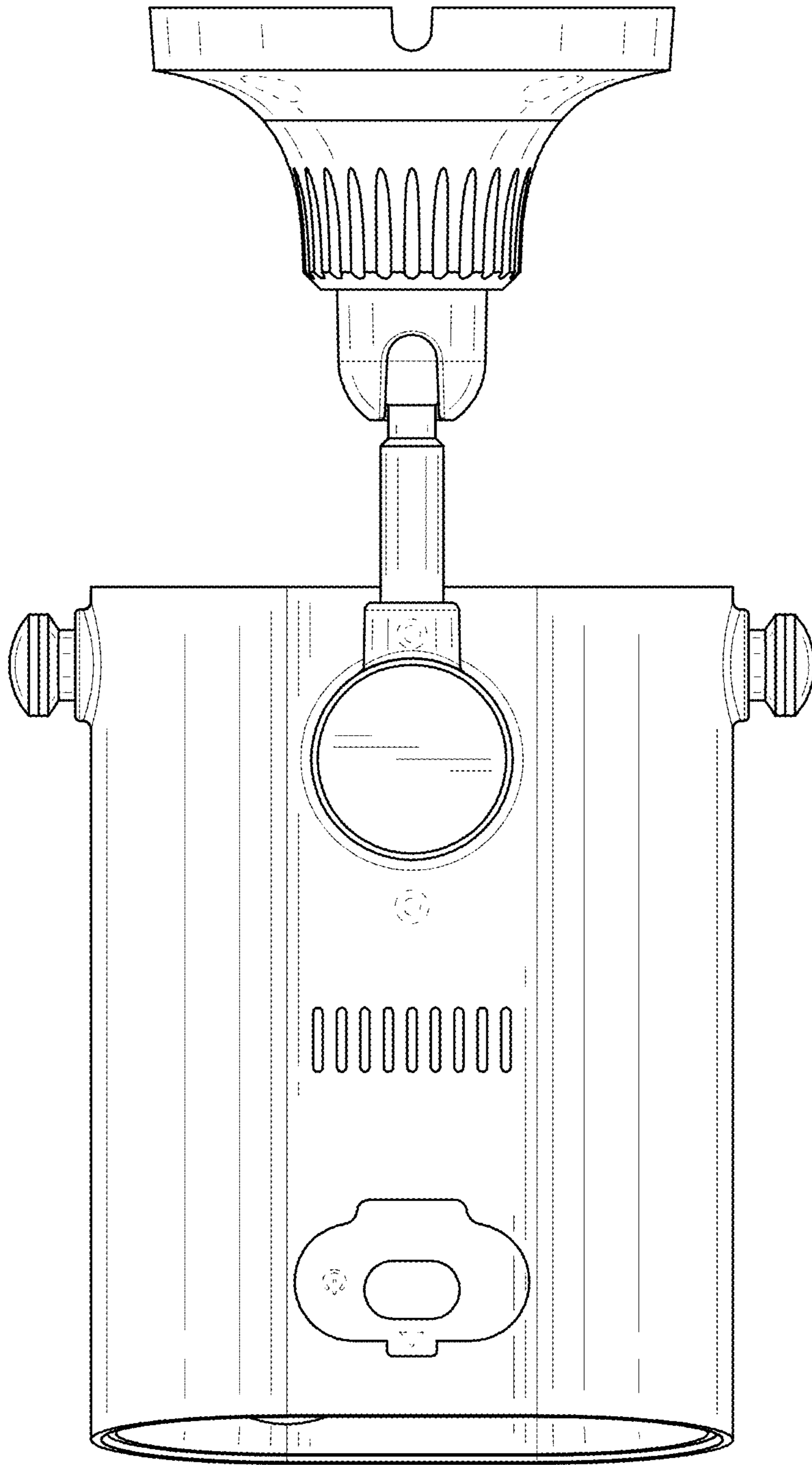


FIG. 8