



US00D963726S

(12) **United States Design Patent**  
**Au et al.**

(10) **Patent No.:** **US D963,726 S**  
(45) **Date of Patent:** **\*\* Sep. 13, 2022**

(54) **CAMERA HOUSING**

- (71) Applicant: **GoPro, Inc.**, San Mateo, CA (US)
- (72) Inventors: **Heman Au**, San Mateo, CA (US); **John George Muhlenkamp, IV**, Brisbane, CA (US); **Huy Phuong Nguyen**, Alpine, UT (US); **Zhijun Guo**, Shenzhen (CN)
- (73) Assignee: **GoPro, Inc.**, San Mateo, CA (US)
- (\*\*) Term: **15 Years**
- (21) Appl. No.: **29/829,243**
- (22) Filed: **Mar. 3, 2022**

**Related U.S. Application Data**

- (62) Division of application No. 29/746,616, filed on Aug. 14, 2020.
- (51) **LOC (13) Cl.** ..... **16-01**
- (52) **U.S. Cl.**  
USPC ..... **D16/200**
- (58) **Field of Classification Search**  
USPC ..... D16/200, 202–208, 218, 219, 242;  
348/164, 373–376; 396/448, 535,  
396/539–541  
CPC ..... G03B 17/02; G03B 19/04; G03B 17/56;  
G03B 17/04; G03B 15/03; H04N 5/2251;  
H04N 5/2252; H04N 5/2253; H04N  
5/2254; H04N 7/181; H04N 7/183; H04N  
7/18; G08B 13/1963; G08B 13/19619;  
G08B 13/19632; F16M 11/04; F16M  
13/00  
See application file for complete search history.

(56) **References Cited**

**U.S. PATENT DOCUMENTS**

- 679,881 A 8/1901 Bullard
- 1,467,556 A 9/1923 Nagel
- 1,612,277 A 12/1926 Leo

(Continued)

**FOREIGN PATENT DOCUMENTS**

- |    |           |        |
|----|-----------|--------|
| CN | 302944108 | 5/2014 |
| CN | 303933789 | 6/2016 |
| GB | 4034453   | 3/2014 |

**OTHER PUBLICATIONS**

Action Video Suction Cup. [online] Published date Oct. 23, 2014. Retrieved on Nov. 2, 2016 from <URL: <[https://www.amazon.com/Suction-Locking-JOBY-Easy-Anti-Vibration-Cameras/dp/B0008R7A72/ref=pd\\_sim\\_421\\_2?encoding=UTF8&pd\\_rd\\_i=B0008R7A72&pd\\_rd\\_r=AGCVZH2ZHQKHT5BBX2GZ&pd\\_rd\\_w=7Jkpc&pd\\_rd\\_wg=OMkYF&psc=1&refRID=AGCVZH2ZHQKHT5BBX2GZ](https://www.amazon.com/Suction-Locking-JOBY-Easy-Anti-Vibration-Cameras/dp/B0008R7A72/ref=pd_sim_421_2?encoding=UTF8&pd_rd_i=B0008R7A72&pd_rd_r=AGCVZH2ZHQKHT5BBX2GZ&pd_rd_w=7Jkpc&pd_rd_wg=OMkYF&psc=1&refRID=AGCVZH2ZHQKHT5BBX2GZ)>. (9 pages).

(Continued)

*Primary Examiner* — Ramzi Almatrahi

(74) *Attorney, Agent, or Firm* — Young Basile Hanlon & MacFarlane, P.C.

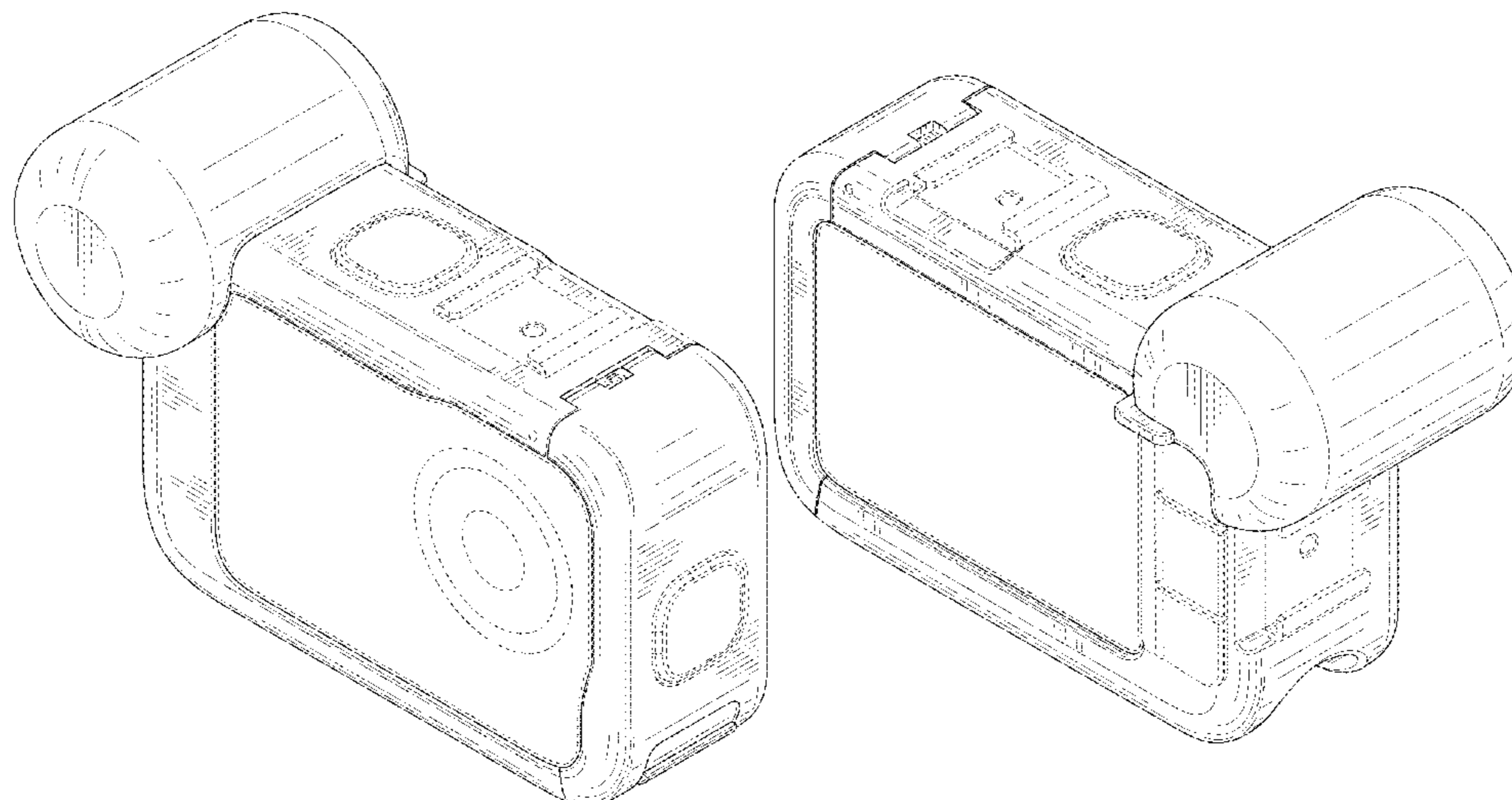
(57) **CLAIM**

The ornamental design for a camera housing, as shown and described.

**DESCRIPTION**

FIG. 1 is a top, front, and right side perspective view of a camera housing showing our new design; FIG. 2 a top, rear and left side perspective view thereof; FIG. 3 is a front view thereof; FIG. 4 is a rear view thereof; FIG. 5 is a right side view thereof; FIG. 6 is a left side view thereof; FIG. 7 is a top view thereof; and, FIG. 8 is a bottom view thereof. The broken lines depict portions of the camera housing in which the design is embodied that form no part of the claimed design. Additionally, the broken lines showing a camera within the camera housing represent environmental structure and form no part of the claimed design.

**1 Claim, 8 Drawing Sheets**



(56)

References Cited

U.S. PATENT DOCUMENTS

2,336,104 A	12/1943	Laube	D760,309 S	6/2016	Parfitt	
4,341,452 A	7/1982	Korling	D760,312 S	6/2016	Lee	
D265,829 S	8/1982	Shimoda	9,360,742 B1	6/2016	Harrison	
4,646,141 A	2/1987	Timmermans	D762,759 S	8/2016	Wu	
4,763,151 A	8/1988	Klinger	D763,941 S	8/2016	Smith	
D298,760 S	11/1988	Yoshida	D768,228 S	10/2016	Muhlenkamp, IV	
5,092,552 A	3/1992	Dayton	D768,752 S	10/2016	Silver	
5,325,139 A	6/1994	Matsumoto	D768,754 S	10/2016	Bennett	
D349,126 S	7/1994	Lee	D769,346 S	10/2016	Nguyen	
5,353,079 A	10/1994	Sakai	D773,546 S	12/2016	Nguyen	
5,576,781 A	11/1996	Deleeuw	D776,738 S	1/2017	Clearman	
5,738,321 A	4/1998	Moriyasu	D776,741 S	1/2017	Parfitt	
D441,386 S	5/2001	Yamazaki	D777,239 S	1/2017	Costa	
6,347,893 B1	2/2002	Shiono	D783,079 S	4/2017	Lee	
D469,338 S	1/2003	Chace	D785,068 S	4/2017	Patsis	
D491,968 S	6/2004	Isshiki	9,635,226 B2	4/2017	Samuels	
D492,953 S	7/2004	Mitsuse	D785,696 S	5/2017	Parfitt	
D499,131 S	11/2004	Tania	D785,697 S	5/2017	Costa	
D504,904 S	5/2005	Nagai	D790,000 S	6/2017	Wang	
D515,121 S	2/2006	Bleau	D790,002 S	6/2017	Nguyen	
D550,741 S	9/2007	Vernon	D800,815 S	10/2017	Clearman	
D563,486 S	3/2008	Slater	D800,819 S	10/2017	Parfitt	
D582,955 S	12/2008	Sekine	9,816,666 B2	11/2017	Wang	
7,537,399 B2	5/2009	Mayumi	D806,775 S	1/2018	Nguyen	
D594,050 S	6/2009	Grtnr	D808,163 S	1/2018	Song	
7,621,680 B2	11/2009	Frick	9,880,451 B2	1/2018	Clearman	
D616,480 S	5/2010	Ookawa	9,894,278 B2	2/2018	Wei	
8,014,656 B2	9/2011	Woodman	9,894,279 B2	2/2018	Wei	
D646,313 S	10/2011	Woodman	9,903,533 B2	2/2018	Wei	
D647,554 S	10/2011	Yim	D816,751 S	5/2018	Harrison	
D647,935 S	11/2011	Raken	D819,117 S	5/2018	Lee	
D653,687 S	2/2012	Yu	D821,476 S *	6/2018	Martin	D16/202
D657,808 S	4/2012	Woodman	D827,696 S	9/2018	Crow	
D674,428 S	1/2013	Woodman	D827,697 S	9/2018	Crow	
D684,569 S	6/2013	Willenborg	10,101,637 B2	10/2018	Peddecord	
8,467,675 B2	6/2013	Chen	D837,861 S	1/2019	Luo	
D692,507 S	10/2013	Meys	D840,463 S	2/2019	Nguyen	
8,544,643 B2	10/2013	Yim	D846,620 S	4/2019	Katori	
8,596,890 B2	12/2013	Yim	D848,500 S	5/2019	Miyashita	
D699,276 S	2/2014	Samuels	D849,084 S	5/2019	Hu	
D699,277 S	2/2014	Samuels	D850,520 S	6/2019	Voss	
D702,747 S	4/2014	Woodman	D851,155 S *	6/2019	Hu	D16/218
8,718,457 B2	5/2014	Clark	D854,597 S	7/2019	Gao	
D706,603 S	6/2014	Kokawa	D856,391 S	8/2019	Liu	
D710,921 S	8/2014	Gioscia	D861,761 S	10/2019	Bergman	
D710,922 S	8/2014	Gioscia	D867,420 S	11/2019	Zhang	
8,794,579 B2	8/2014	Sturman	D867,427 S *	11/2019	Bai	D16/202
D722,097 S	2/2015	Kim	D868,871 S	12/2019	Nguyen	
D724,637 S	3/2015	Samuels	D869,539 S	12/2019	Hu	
D724,638 S	3/2015	Samuels	D871,480 S	12/2019	Hu	
D725,169 S	3/2015	Gioscia	D872,156 S *	1/2020	Zhao	D16/200
D727,387 S	4/2015	Hasegawa	D880,567 S	4/2020	Zhang	
9,004,783 B1	4/2015	Woodman	D880,569 S	4/2020	Zhang	
D730,423 S	5/2015	Vandenbussche	D881,254 S *	4/2020	Guo	D16/202
D732,601 S	6/2015	Coyle	D884,061 S	5/2020	Arens	
D733,787 S	7/2015	Baker	D888,792 S	6/2020	Luo	
D733,788 S	7/2015	Baker	D890,835 S	7/2020	Nguyen	
D736,848 S	8/2015	Kim	D891,500 S *	7/2020	Tang	D16/203
D737,647 S	9/2015	Elder	D904,498 S	12/2020	Lim	
D739,451 S	9/2015	Gioscia	D907,680 S	1/2021	Nguyen	
D740,876 S	10/2015	Woodman	D908,778 S	1/2021	Xu	
D745,589 S	12/2015	Lee	D909,450 S	2/2021	Grant	
D749,164 S	2/2016	Raccah	D911,411 S	2/2021	Coster	
D750,146 S	2/2016	Costa	D911,412 S	2/2021	Alberstein	
D750,680 S	3/2016	Chen	D912,120 S	3/2021	Druker	
D750,687 S	3/2016	Samuels	D920,419 S	5/2021	Muhlenkamp, IV	
D752,671 S	3/2016	Harrison	D921,084 S	6/2021	Muhlenkamp, IV	
D752,672 S	3/2016	Clearman	D924,297 S	7/2021	Imai	
9,282,226 B2	3/2016	Samuels	D926,853 S	8/2021	Wei	
D754,230 S	4/2016	Mori	D929,489 S	8/2021	Coster	
D754,240 S	4/2016	Samuels	D933,115 S	10/2021	Druker	
D755,277 S	5/2016	Shnholz	D934,945 S	11/2021	Wu	
D758,474 S	6/2016	Harrison	D935,506 S	11/2021	Tan	
D759,141 S	6/2016	Bacon	D939,608 S	12/2021	Han	
D759,145 S	6/2016	Lee	D941,904 S	1/2022	Coster	
			11,258,988 B1 *	2/2022	Douglas Dudley	H04N 5/23293
			D946,071 S *	3/2022	Muhlenkamp, IV	D16/200
			D946,072 S *	3/2022	Muhlenkamp, IV	D16/200

(56)

References Cited

U.S. PATENT DOCUMENTS

2002/0046218	A1	4/2002	Gilbert	
2007/0071423	A1	3/2007	Fantone	
2008/0152337	A1	6/2008	Gartner	
2011/0317065	A1	12/2011	Lin	
2014/0185853	A1	7/2014	Aihara	
2014/0198932	A1	7/2014	Parkins	
2014/0226055	A1	8/2014	Schmidt	
2015/0168815	A1	6/2015	Chen	
2015/0316835	A1	11/2015	Scott	
2015/0326748	A1	11/2015	Tisch	
2016/0004142	A1	1/2016	Zhang	
2016/0100083	A1	4/2016	Harrison	
2016/0229556	A1	8/2016	Zhou	
2016/0246162	A1	8/2016	Niemeyer	
2017/0059967	A1	3/2017	Harrison	
2017/0192341	A1	7/2017	Casarez	
2019/0079373	A1	3/2019	Wang	
2019/0161208	A1	5/2019	Sun	
2022/0053118	A1*	2/2022	Nashizawa	..... H04N 5/9201

OTHER PUBLICATIONS

Google Express IGoPro Karma Harness for HERO4 Black/Silver Camera—AGFHA-001 , first reviewed on Mar. 17, 2017, © 2018 Google [online], [site visited Mar. 16, 2018]. Available from Internet, <URL: <https://goo.gl/hugSGv/>> 1 page.

GoPro i Shop i Mounts & Accessories, posted on Nov. 16, 2017, © 2018 GoPro, Inc. [online], [site visited Mar. 16, 2018]. Available from Internet, <URL: <https://shop.gopro.com/mounts-accessories/>> (13 PGS).

GoPro The Frame for HERO5 Black. [online] Published date unknown. Retrieved on Oct. 26, 2016 from <URL: <https://www.bhphotovideo.com/c/product/1274422-REG/gopro.sub.--aafm.sub.--001.sub.--frame.sub.--for.sub.--hero5.html>>. 3 pages.

GoPro, “Karma Stabilizer,” Date Unknown, two pages. [Online] [Retrieved Nov. 2, 2016] Retrieved from the internet <<http://shop.gopro.com/accessories-2/karma-stabilizer/AGMBL-001.html>>. (2 pages).

Linxv i Action Camera Accessories i Action Camera Strap, posted on Jun. 4, 2016, © 2012 Avada [online], [site visited Mar. 16, 2018]. Available from Internet, <URL: <http://www.linxv.com/action-camera-accessories/action-camera-strap/>> (4 PGS).

Silicon Sleeve Cases for the Frame of Your GoPro Hero 5 , retrieved from URL: <https://www.amazon.com/Silicone-Sleeve-Cases-Frame-GoPro/dp/B01NCQ3GOY>, retrieved Mar. 30, 2018 (6 pages).

Silicon Sleeve for GoPro Her04 Housing—GCase, retrieved from URL: <https://www.gocase.com/products/silicon-sleeve-for-gopro-hero4-housing>, retrieved Mar. 30, 2018 (2 pages).

Silicone Sleeve Cases for The Frame of your GoPro Hero 5 (1× Frame / 1× Camera Case, Blue +Black), URL: [https://www.amazon.com/dp/B01MR00OPJ/ref=asc\\_df\\_B01MR00OPJ5357481/?tag=hyprod-20&creative=395033&creativeASIN=B01MR00OPJ&linkCode=df0&hvadid=167139098072&hvpos=1o1&hvnetw=g&hvrnd=8248390090609077295&hvpon=&hvptwo=&hvqmt=&hvdev=c&hvdvcmdl=&hvlocint=&hvlocphy=1014237&hvtargid=pla-332273337114](https://www.amazon.com/dp/B01MR00OPJ/ref=asc_df_B01MR00OPJ5357481/?tag=hyprod-20&creative=395033&creativeASIN=B01MR00OPJ&linkCode=df0&hvadid=167139098072&hvpos=1o1&hvnetw=g&hvrnd=8248390090609077295&hvpon=&hvptwo=&hvqmt=&hvdev=c&hvdvcmdl=&hvlocint=&hvlocphy=1014237&hvtargid=pla-332273337114), retrieved Mar. 30, 2018 (6 pages).

Suction Cup & Locking Arm. Online, published date unknown. Retrieved on Jan. 11, 2018 from URL: <https://joby.com/suction-cup-with-locking-arm> (1 page).

The Frame. [online] Published date unknown. Retrieved on Oct. 24, 2016 from <URL: <http://shop.gopro.com/accessories-2/the-frame/ANDFR-302.html>>. 3 pages.

United States Office Action, U.S. Appl. No. 29/548,666, dated Nov. 17, 2016, 8 pages.

\* cited by examiner

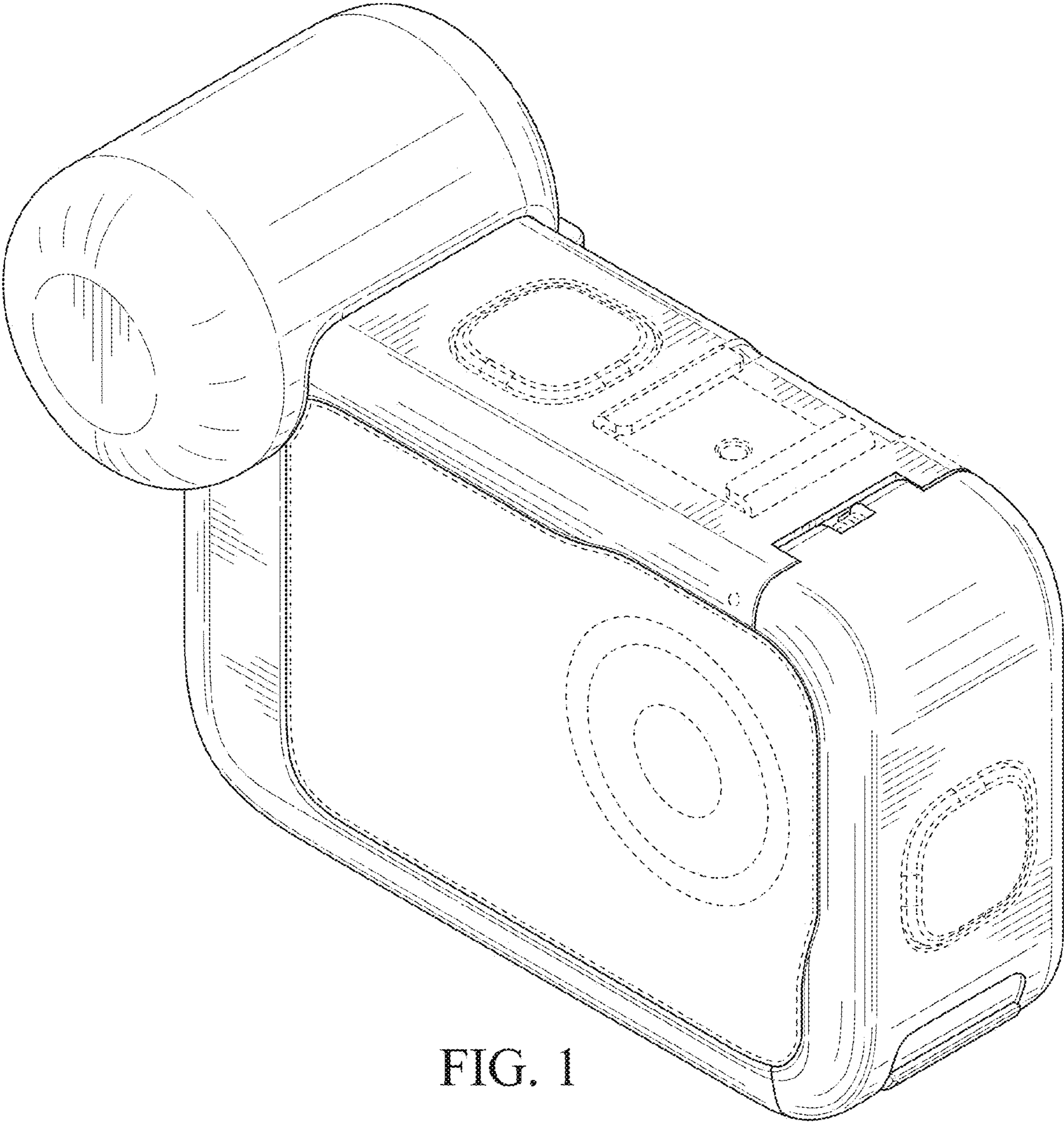


FIG. 1

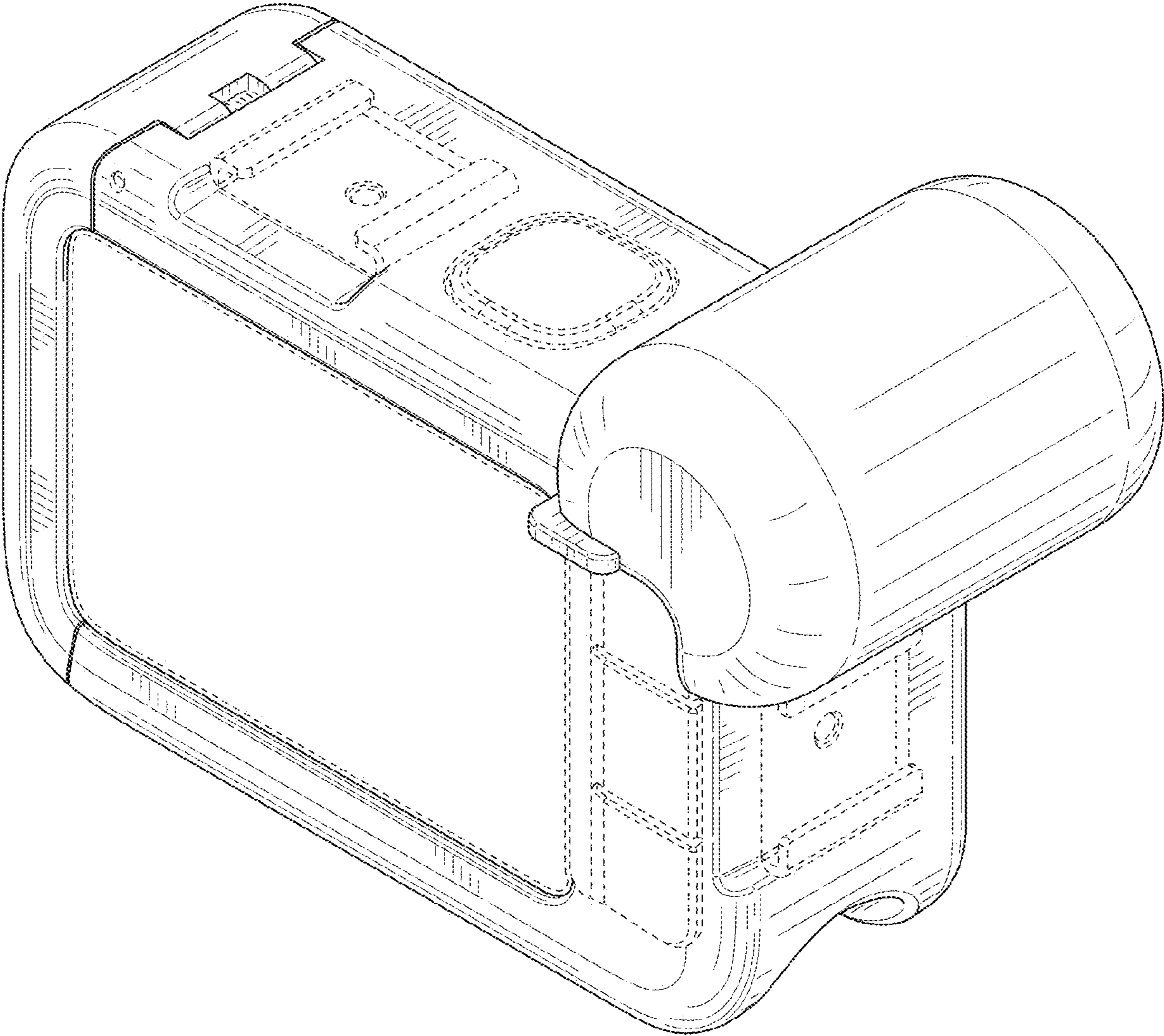


FIG. 2

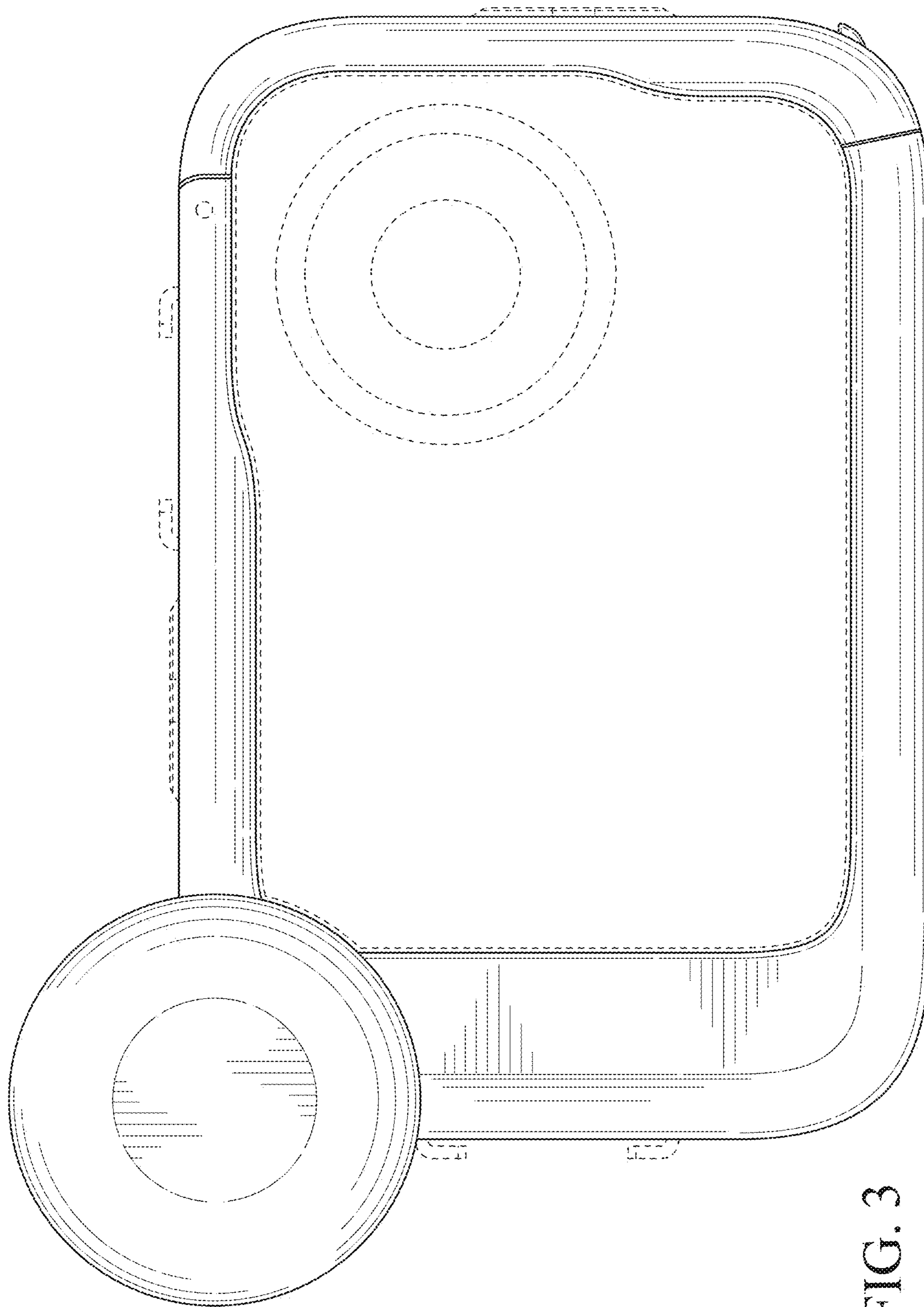


FIG. 3

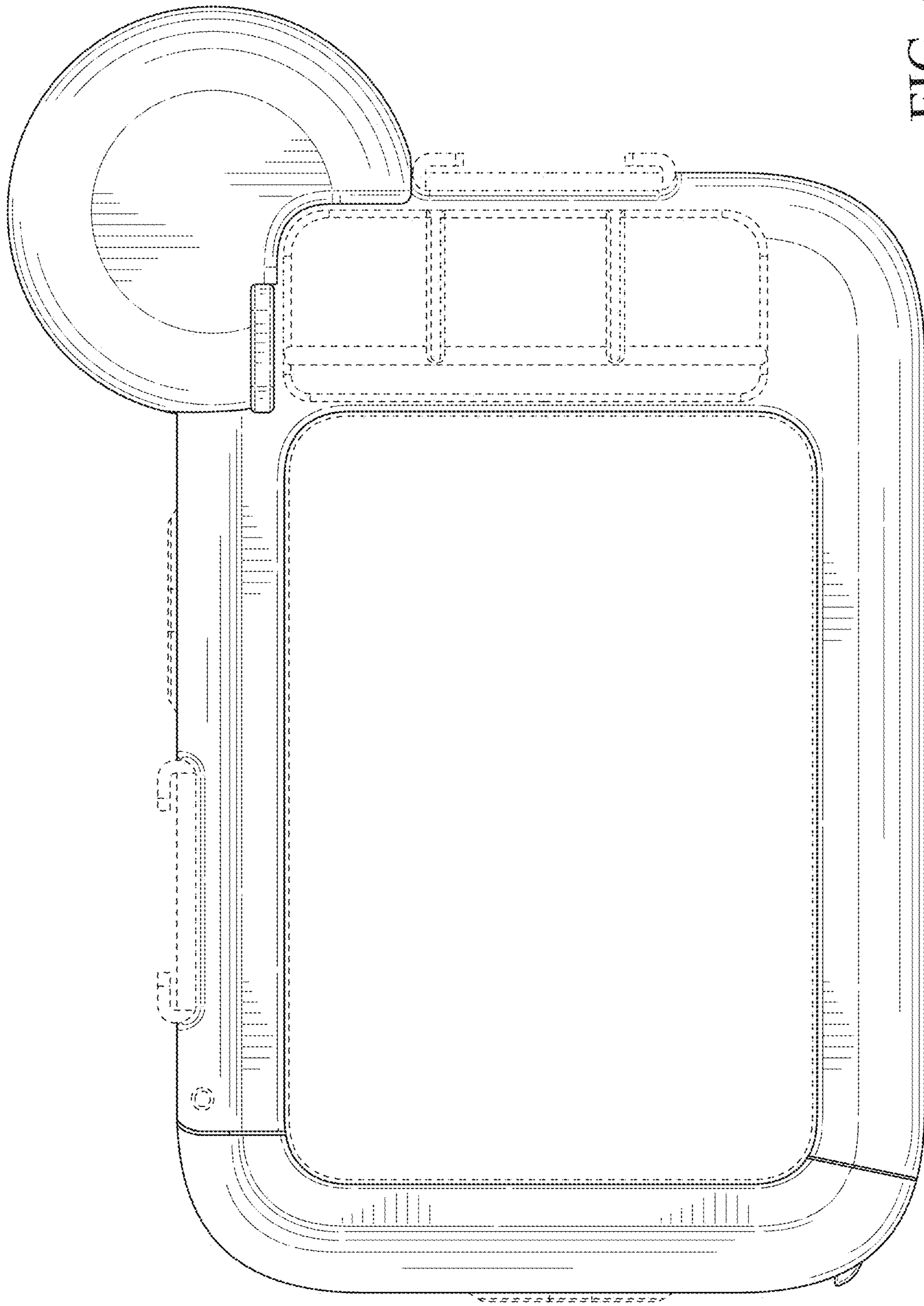


FIG. 4

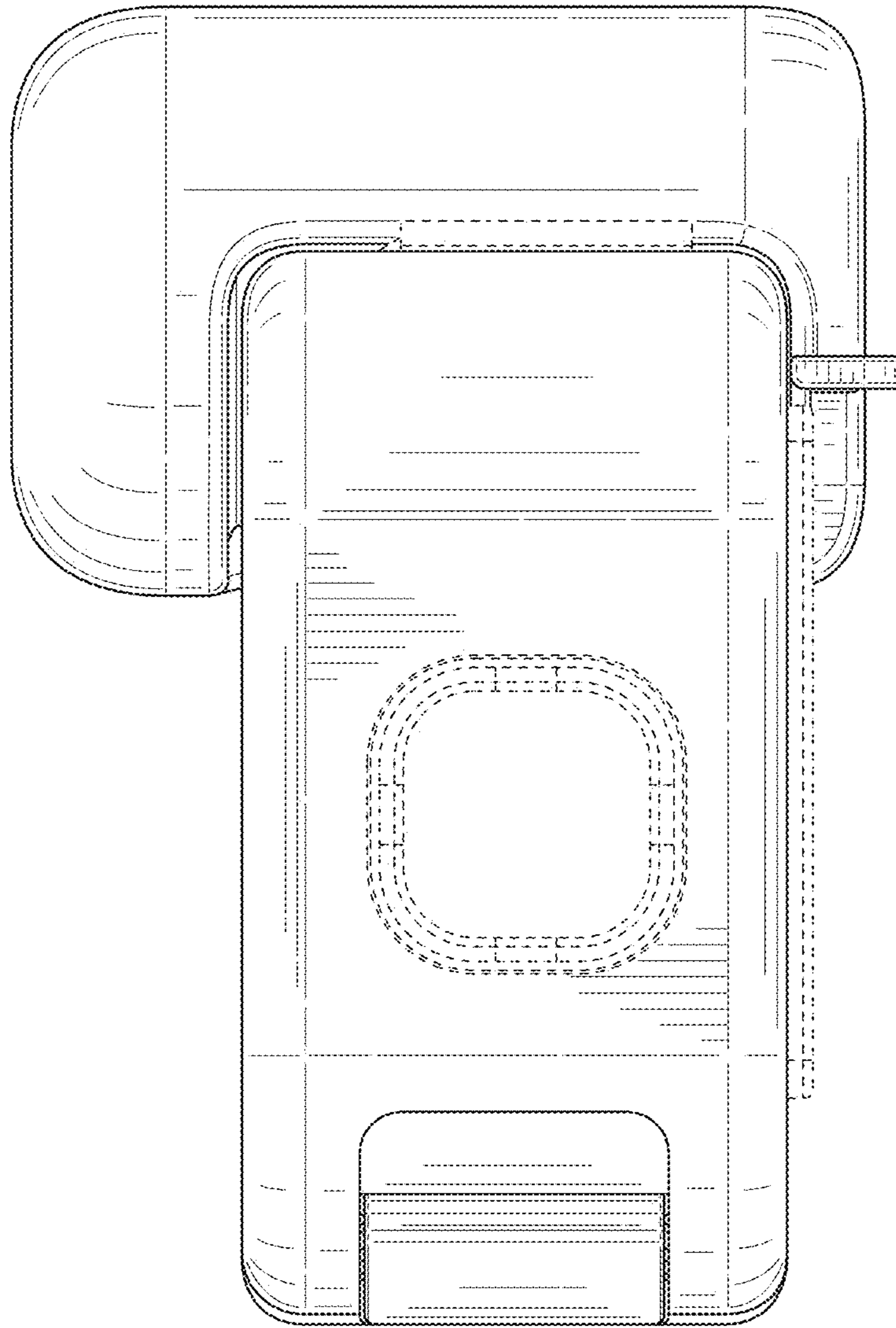


FIG. 5



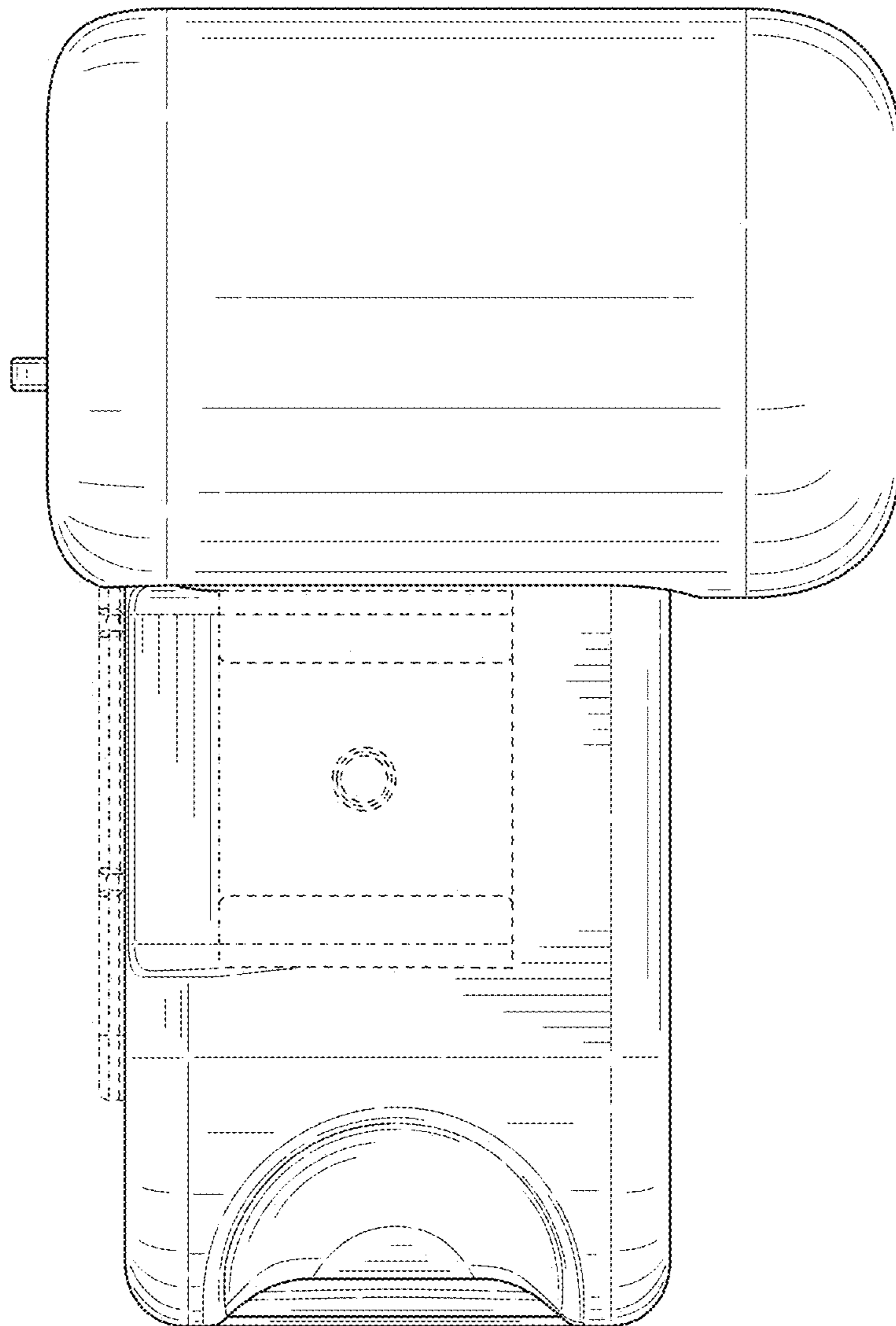


FIG. 6

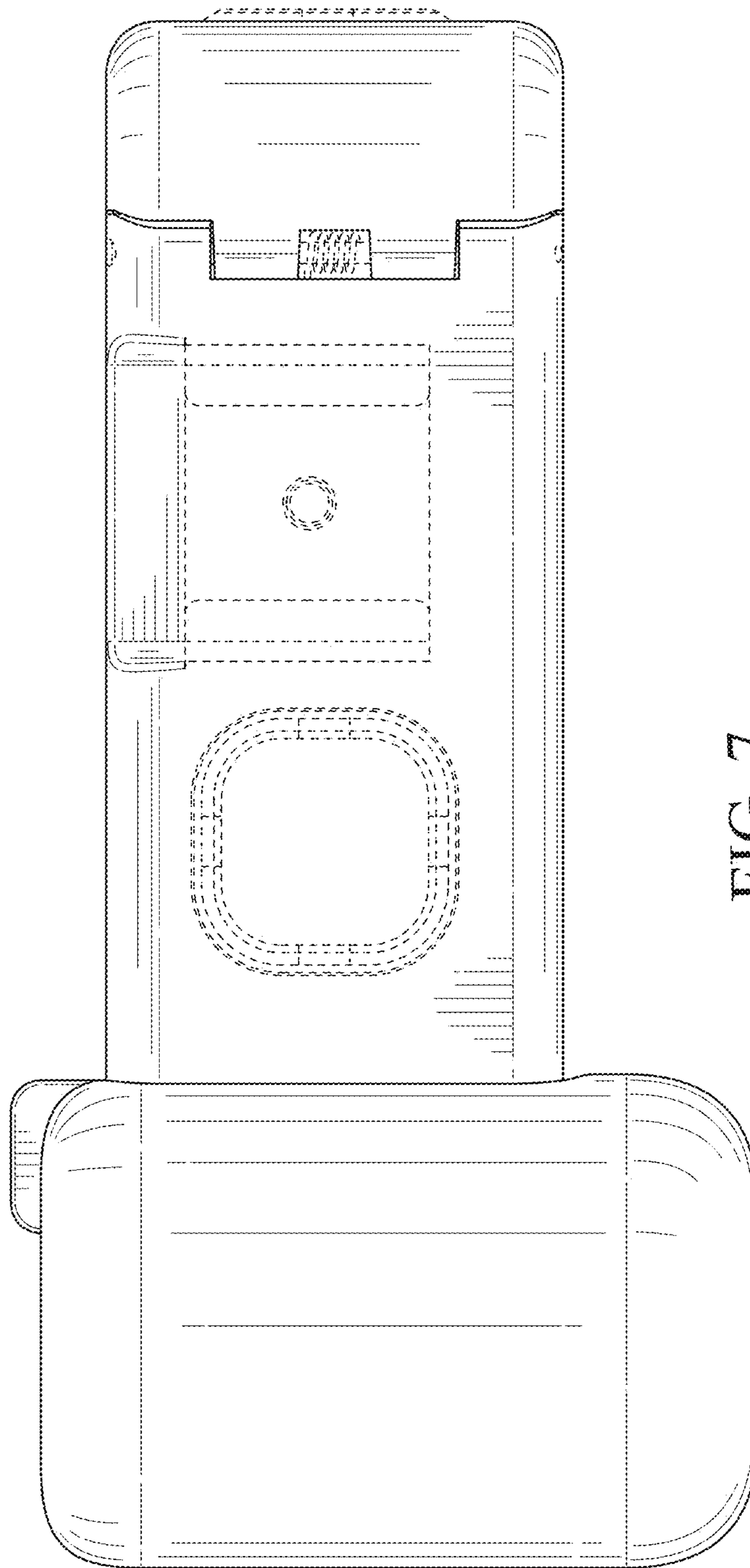


FIG. 7

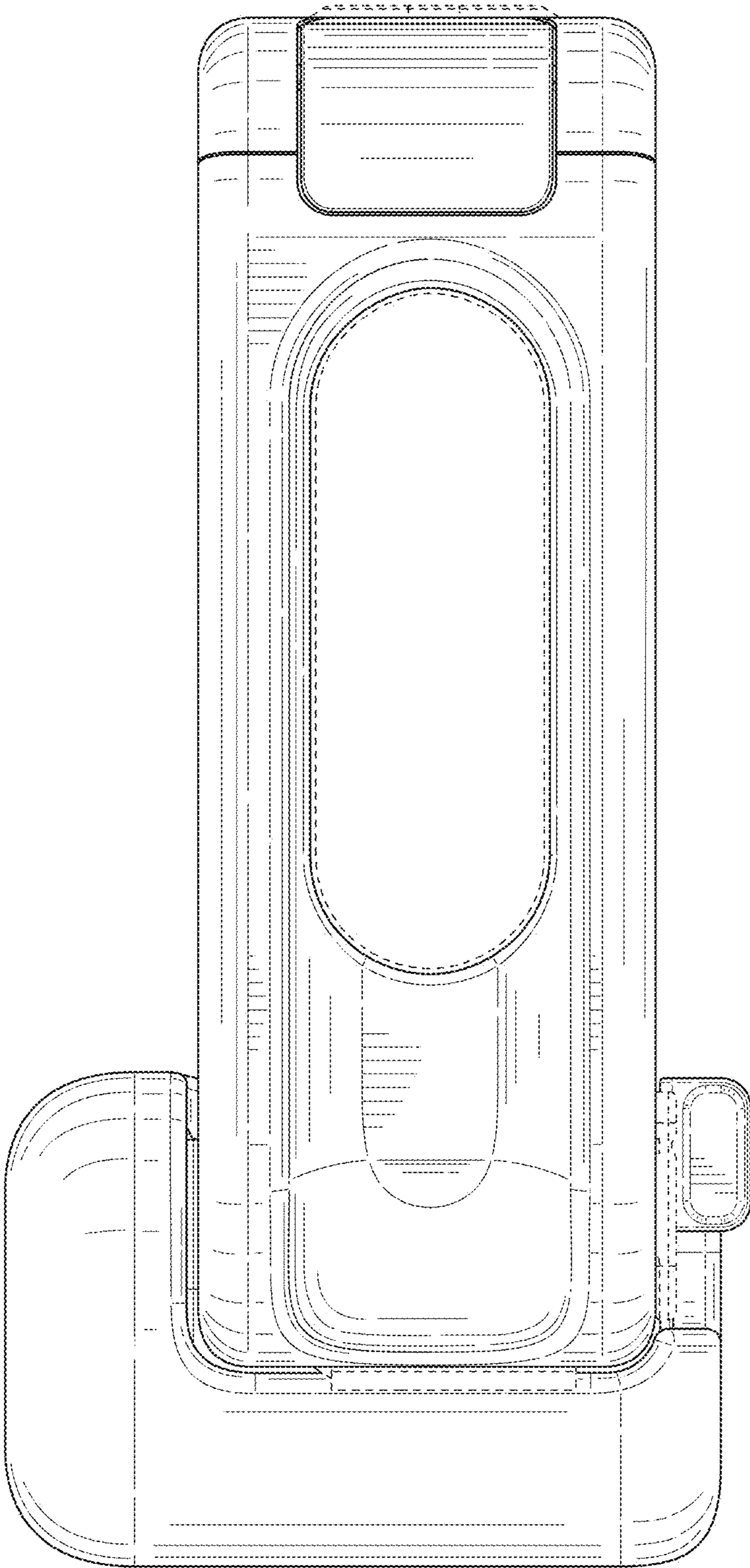


FIG. 8