



US00D963725S

(12) **United States Design Patent** (10) **Patent No.:** **US D963,725 S**
Yamana et al. (45) **Date of Patent:** **** Sep. 13, 2022**

(54) **DIGITAL CAMERA**
(71) Applicant: **CANON KABUSHIKI KAISHA**,
Tokyo (JP)
(72) Inventors: **Kazuaki Yamana**, Kawasaki (JP);
Masayasu Shigematsu, Tokyo (JP)
(73) Assignee: **Canon Kabushiki Kaisha**, Tokyo (JP)
(**) Term: **15 Years**
(21) Appl. No.: **29/744,784**
(22) Filed: **Jul. 31, 2020**

D705,335 S 5/2014 Oikawa et al.
D723,084 S * 2/2015 Awazu D16/219
D726,240 S 4/2015 Oikawa et al.
D783,700 S 4/2017 Tagawa et al.
9,674,467 B2 * 6/2017 Izawa H04N 5/23245
D820,341 S * 6/2018 Tokiwa D16/219
D829,800 S * 10/2018 Heyden D16/202
D831,092 S * 10/2018 Watanabe D16/219
D831,093 S * 10/2018 Tokiwa D16/219
D838,764 S * 1/2019 Imai D16/219
D838,766 S * 1/2019 Tokiwa D16/219
D849,116 S * 5/2019 Lee D16/219
D849,818 S * 5/2019 Imai D16/219
D849,821 S * 5/2019 England D16/242
D850,514 S * 6/2019 Hsu D16/219
D865,031 S * 10/2019 Saito D16/219
D867,429 S * 11/2019 Miyao D16/219

Related U.S. Application Data

(62) Division of application No. 35/507,100, filed on Nov. 14, 2018 (U.S. filing date under 35 U.S.C. 384), and having an international filing date of Nov. 14, 2018, now abandoned.

Primary Examiner — Bao-Yen T Nguyen
(74) *Attorney, Agent, or Firm* — Venable LLP

(30) **Foreign Application Priority Data**

May 15, 2018 (JP) 2018-010522

(51) **LOC (13) Cl.** **16-05**

(52) **U.S. Cl.**
USPC **D16/200**; D16/219

(58) **Field of Classification Search**
USPC D16/134, 136, 200, 202–205, 218, 219,
D16/235, 242
CPC G03B 17/02; G03B 19/04; G03B 17/56;
G03B 17/04; G03B 15/03; G03B 17/14;
H04N 5/2251; H04N 5/2252; H04N
5/2253; H04N 5/2254; G02B 7/02; G02B
7/04; G02B 7/14

See application file for complete search history.

(56) **References Cited**

U.S. PATENT DOCUMENTS

D669,930 S * 10/2012 Koyama D16/219
D698,839 S * 2/2014 Sato D16/200

(57) **CLAIM**

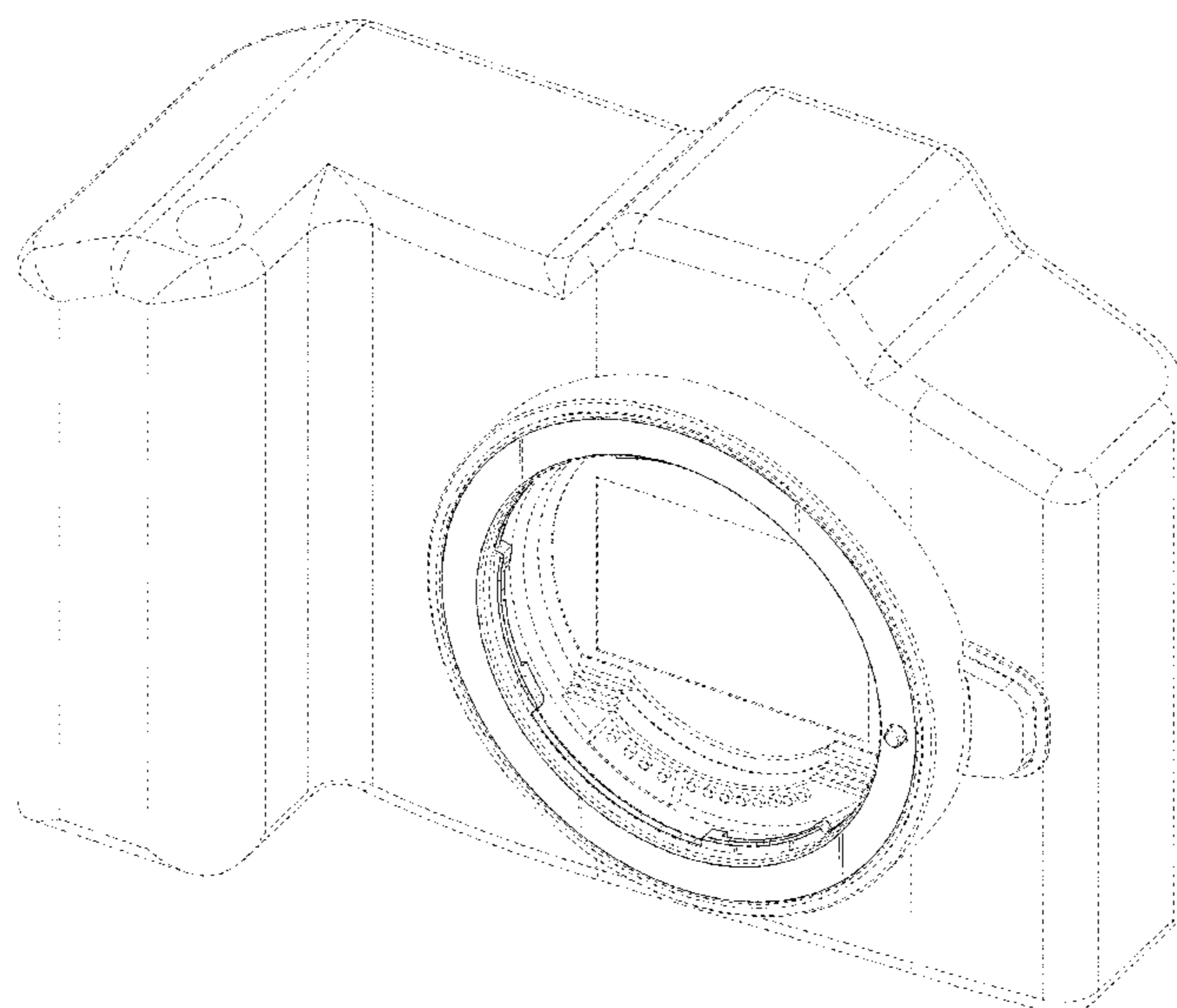
The ornamental design for a digital camera, as shown and described.

DESCRIPTION

FIG. 1 is a Front view of a digital camera showing our new design;
FIG. 2 is a Back view thereof;
FIG. 3 is a Top view thereof;
FIG. 4 is a Bottom view thereof;
FIG. 5 is a Left view thereof;
FIG. 6 is a Right view thereof;
FIG. 7 is a Front Perspective view thereof; and,
FIG. 8 is a Front Perspective view thereof from a different angle than FIG. 7.

The broken lines show portions of the digital camera that form no part of the claimed design.

1 Claim, 8 Drawing Sheets



(56)

References Cited

U.S. PATENT DOCUMENTS

D868,868 S *	12/2019	Heyden	D16/202	D900,194 S *	10/2020	Tamura	D16/219
D870,185 S *	12/2019	Nagaoka	D16/219	D908,162 S *	1/2021	Yoon	D16/219
D881,260 S *	4/2020	Ikegame	D16/219	D908,775 S *	1/2021	Wu	D16/219
D881,261 S *	4/2020	Ikegame	D16/219	D913,355 S *	3/2021	Takahashi	D16/219
D884,774 S *	5/2020	Kamei	D16/219	D918,987 S *	5/2021	Mori	D16/219
D885,462 S *	5/2020	Nagaoka	D16/219	D924,297 S *	7/2021	Imai	D16/202
D894,249 S *	8/2020	Kamei	D16/202	2010/0020184 A1 *	1/2010	Kurosawa	H04N 5/2253
D894,991 S *	9/2020	Park	D16/202					348/208.11
D896,294 S *	9/2020	Bennett	D16/202	2011/0052171 A1 *	3/2011	Yasuda	G03B 17/14
D896,872 S *	9/2020	Lee	D16/219					396/176
D897,405 S *	9/2020	Lee	D16/219	2013/0033770 A1 *	2/2013	Koga	G03B 3/00
D897,406 S *	9/2020	Ikegame	D16/219					359/823
D898,103 S *	10/2020	Nagaoka	D16/219	2013/0077953 A1 *	3/2013	Kikuchi	G02B 7/04
D899,486 S *	10/2020	Tamura	D16/219					396/530
D900,193 S *	10/2020	Tamura	D16/219	2014/0111686 A1 *	4/2014	Iikawa	G03B 17/14
									348/374

* cited by examiner

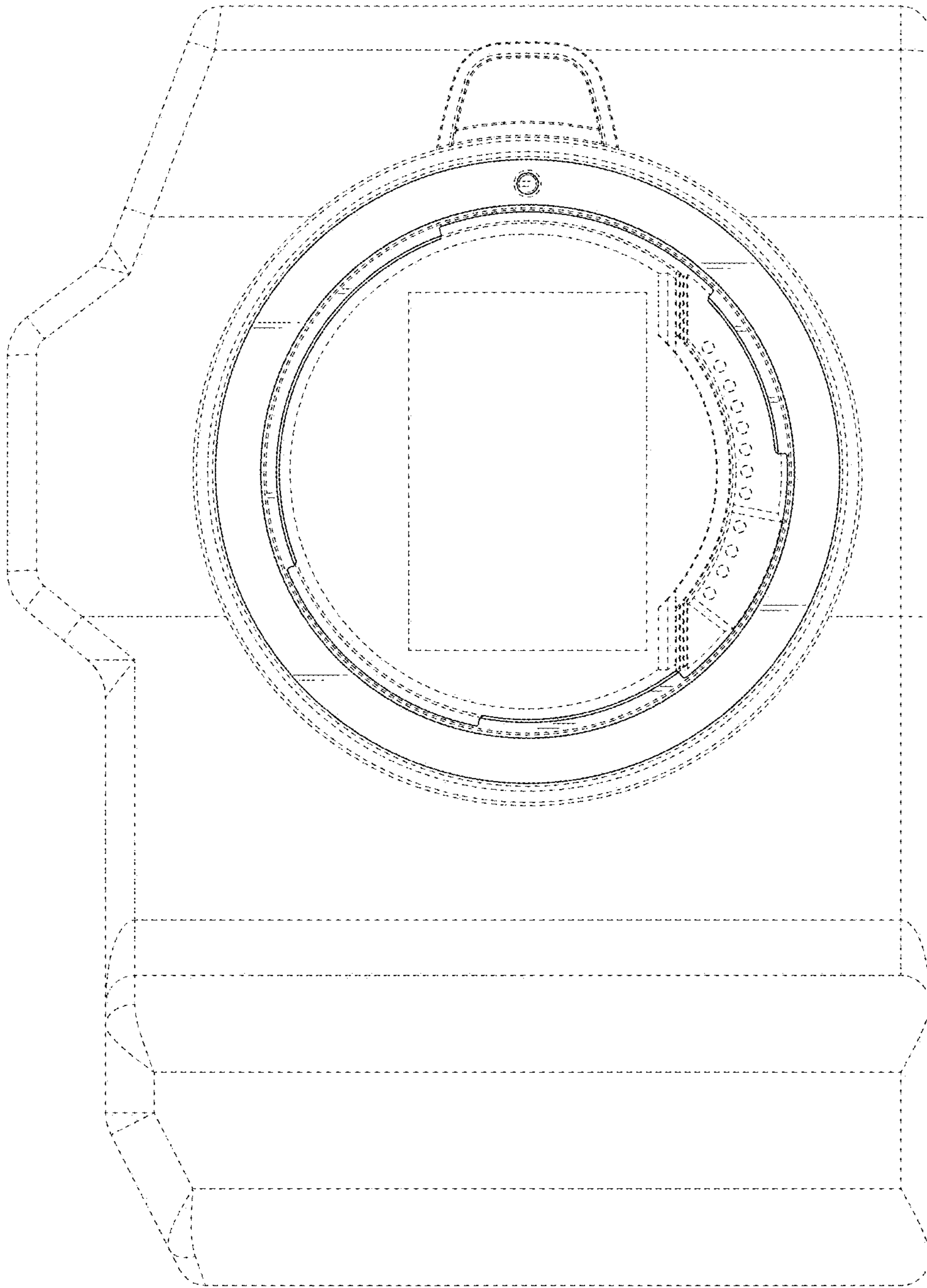


FIG. 1

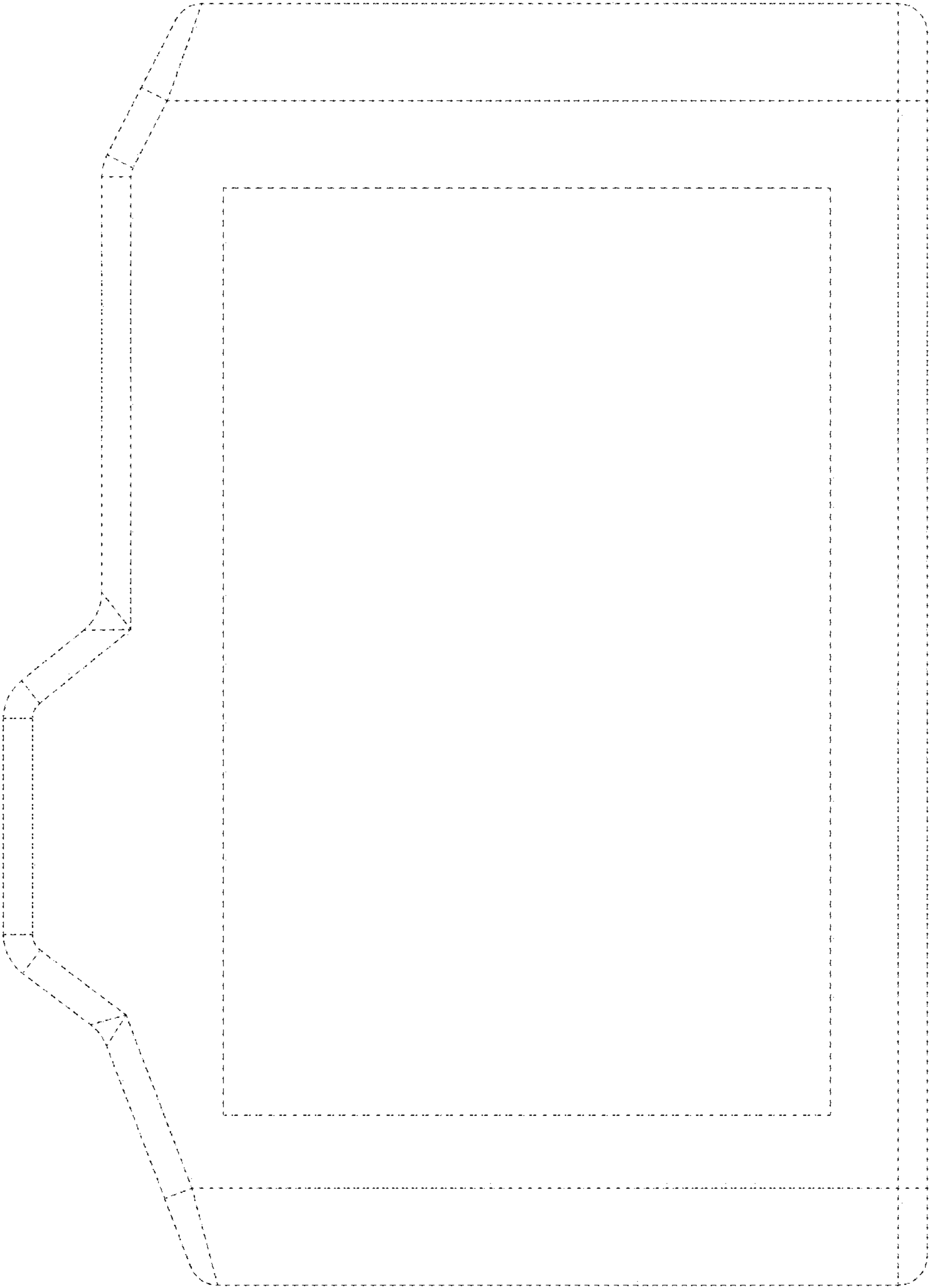


FIG. 2

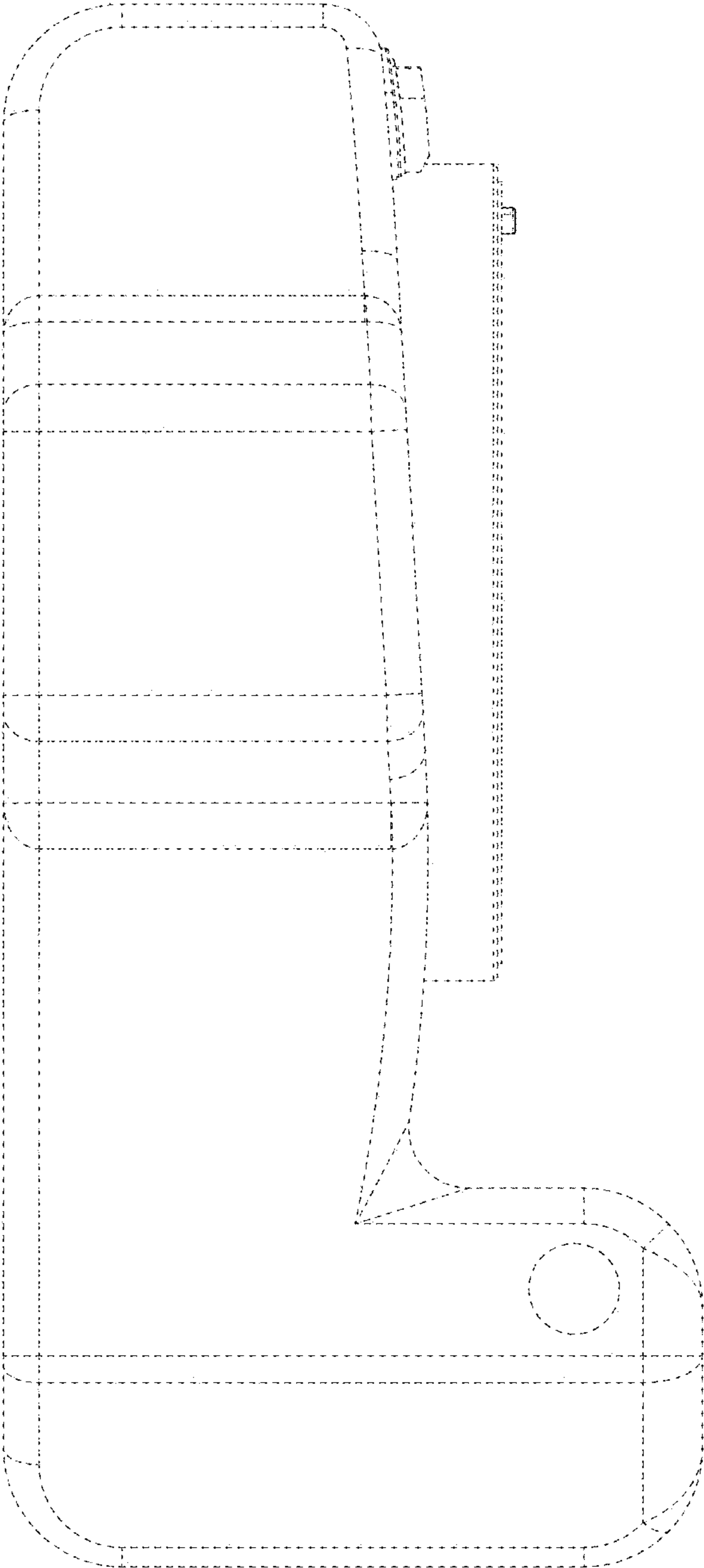


FIG. 3

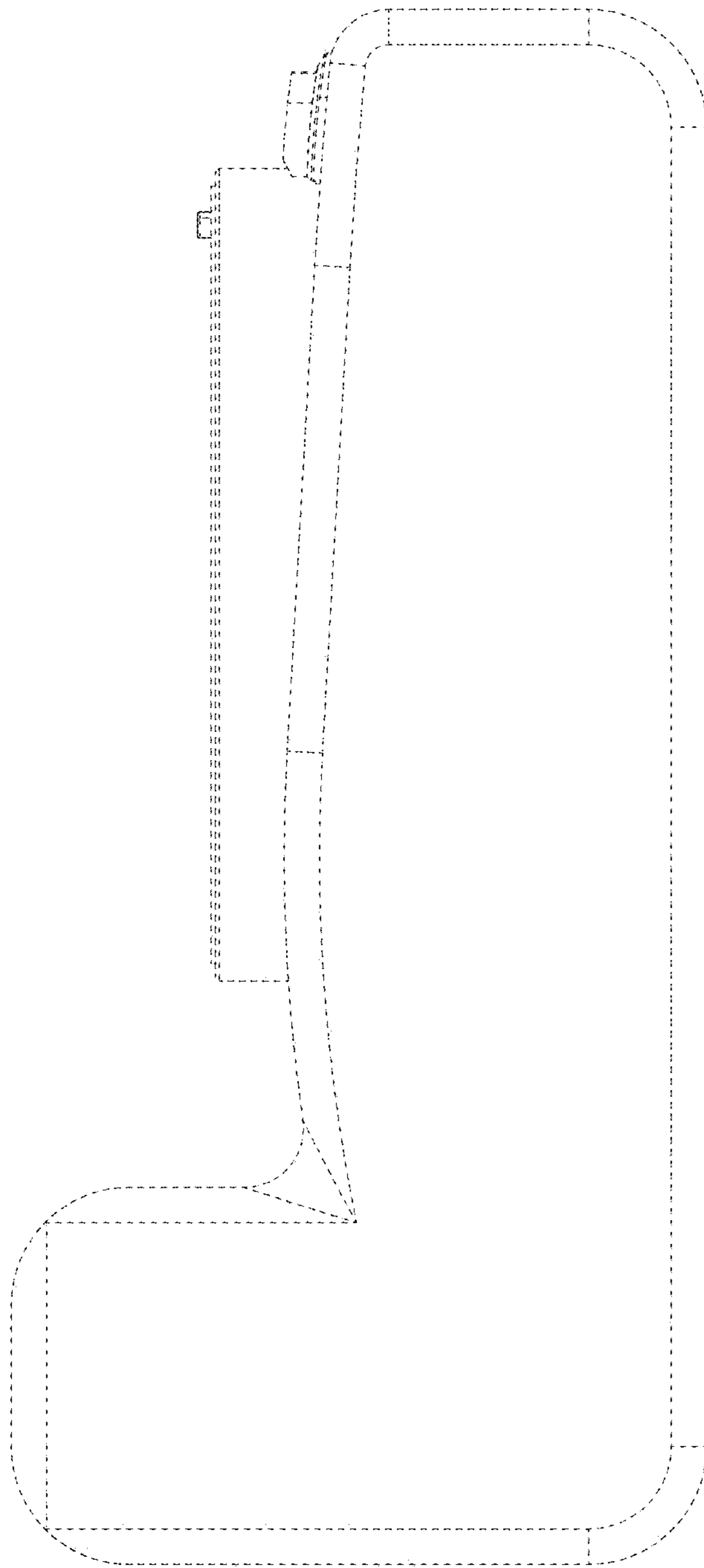


FIG. 4

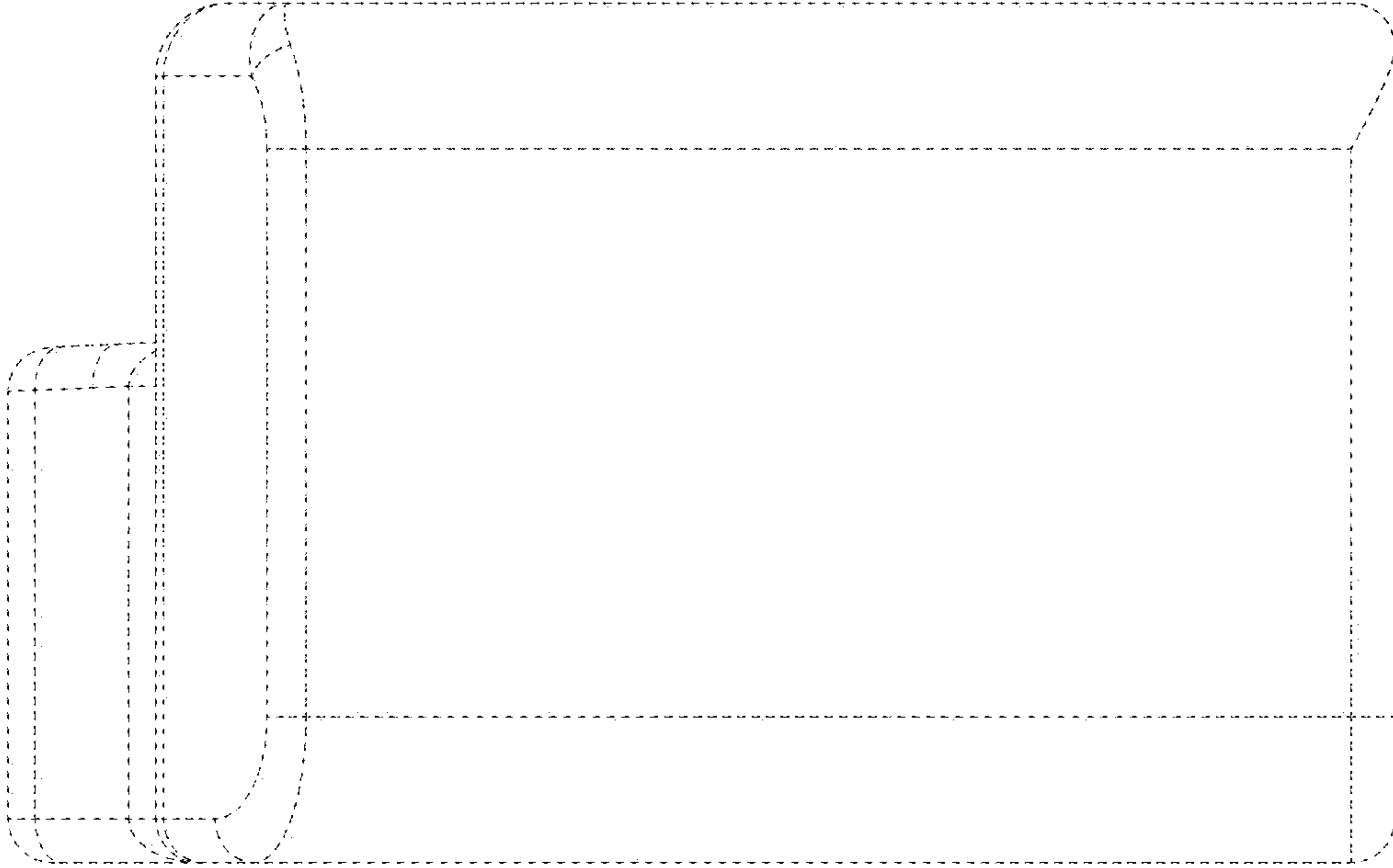


FIG. 5

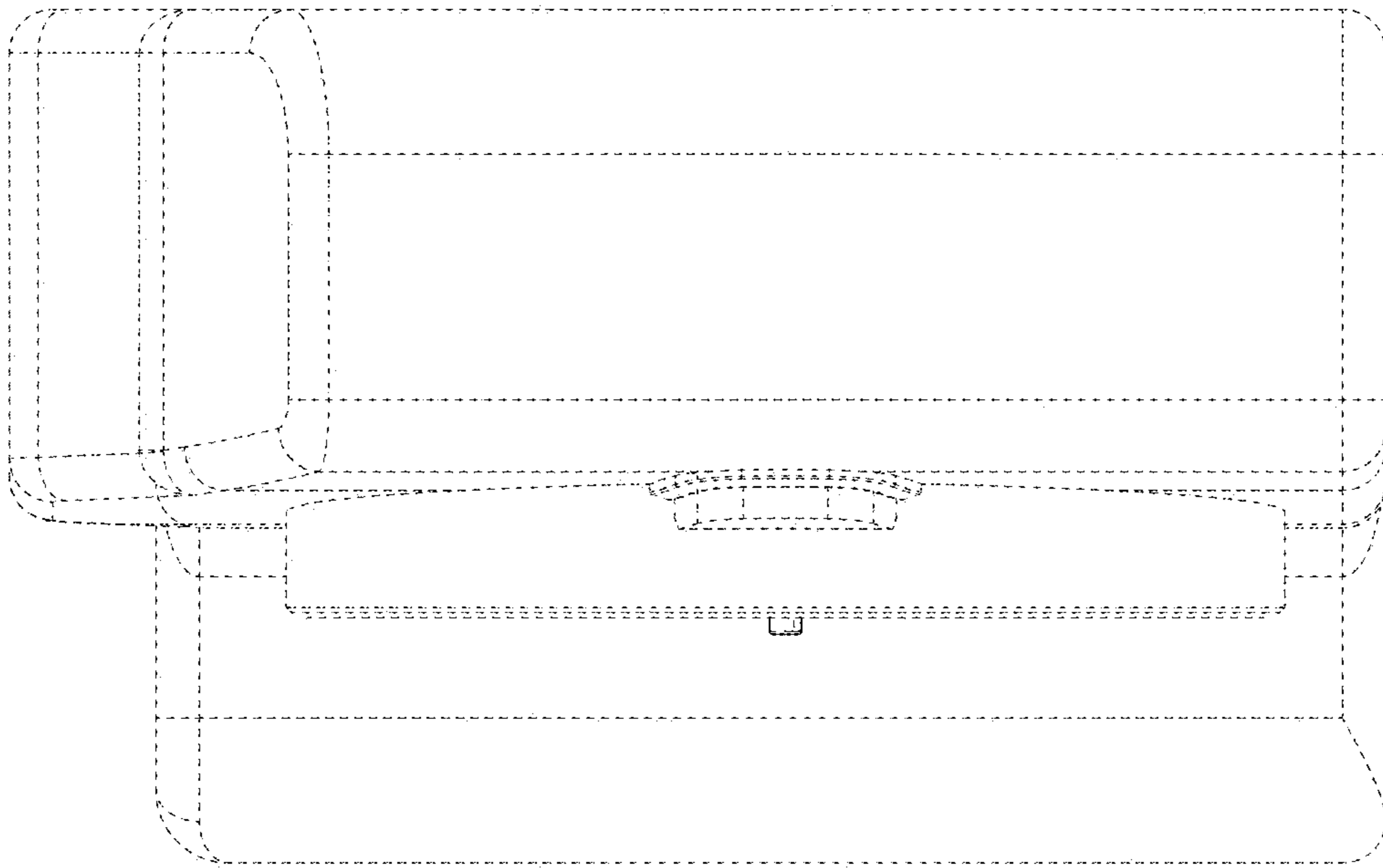


FIG. 6

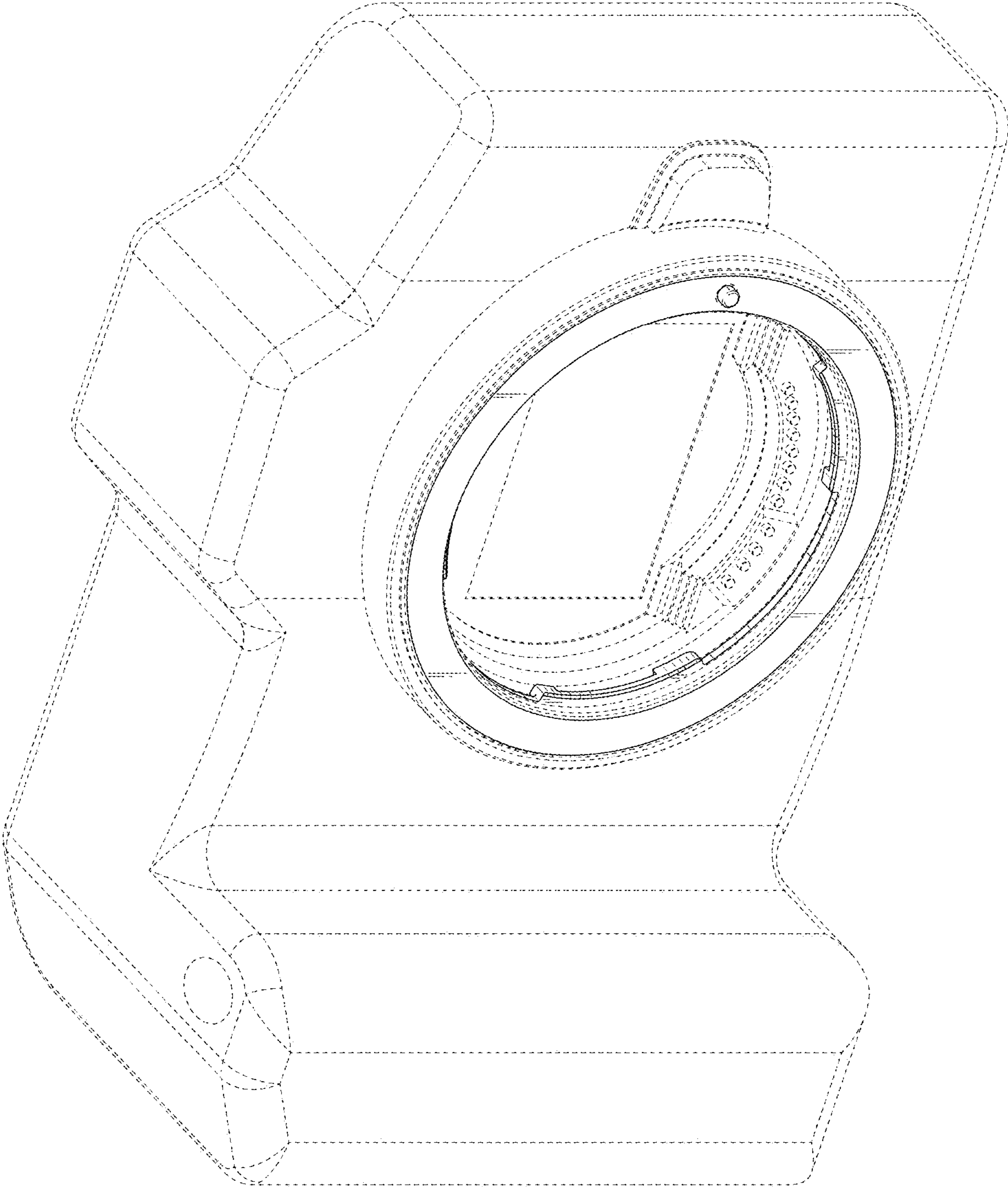


FIG. 7

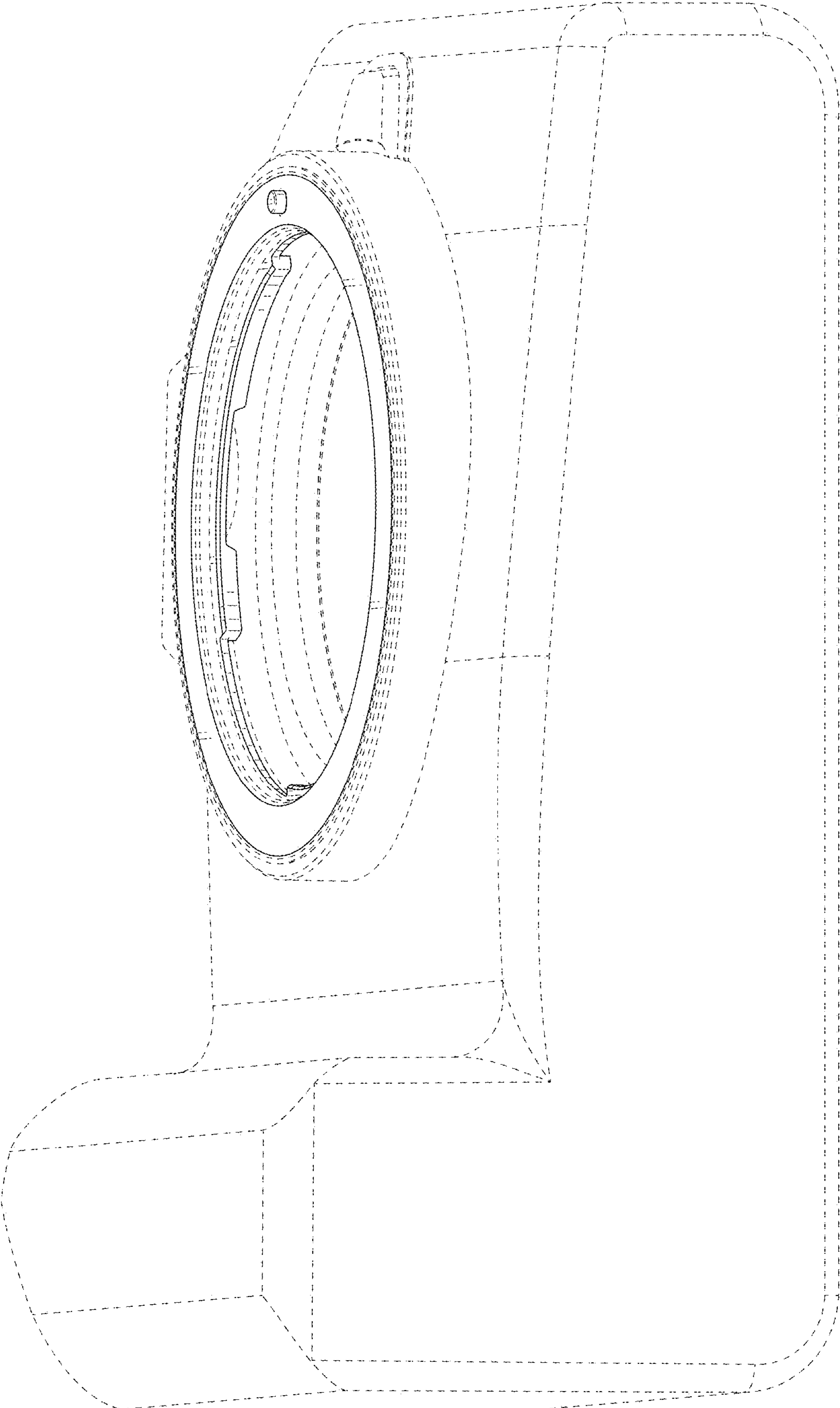


FIG. 8