



US00D963723S

(12) **United States Design Patent**
Narasaki et al.

(10) **Patent No.:** **US D963,723 S**
(45) **Date of Patent:** **** Sep. 13, 2022**

(54) **DIAL MEMBER FOR BINOCULAR OR THE LIKE**

(71) Applicant: **FUJIFILM Corporation**, Tokyo (JP)

(72) Inventors: **Shohei Narasaki**, Saitama (JP);
Hiroyuki Sakai, Saitama (JP)

(73) Assignee: **FUJIFILM Corporation**, Tokyo (JP)

(**) Term: **15 Years**

(21) Appl. No.: **29/761,290**

(22) Filed: **Dec. 8, 2020**

(30) **Foreign Application Priority Data**

Jun. 25, 2020 (JP) 2020-012788 D

(51) **LOC (13) Cl.** **16-06**

(52) **U.S. Cl.**
USPC **D16/133**

(58) **Field of Classification Search**
USPC D16/130, 131, 132, 133, 135, 136, 200,
D16/202, 203, 219, 230
(Continued)

(56) **References Cited**

U.S. PATENT DOCUMENTS

D412,177 S * 7/1999 Fujii D16/133
D486,507 S * 2/2004 Fujii D16/133
(Continued)

FOREIGN PATENT DOCUMENTS

JP 926233 S 5/1995
JP 1316239 S 12/2007
(Continued)

OTHER PUBLICATIONS

Fujinon Roof Prism Binocular, Fujifilm, <https://www.adorama.com/fu16670613.html?gclid=EAIaIQobChMIIvj-2-y-9gIVgonICh09->

gmcEAQYBiABEgJ-TvD_BwE&gclid=EAIaIQobChMIIvj-2-y-9gIVgonICh09-gmcEAQYBiABEgJ-TvD_BwE&utm_source=adl-gbase-p-drones , retrieved Mar. 11, 2022 (Year: 2022).*

(Continued)

Primary Examiner — Richard Kearney
Assistant Examiner — Benjamin M Weeks

(74) *Attorney, Agent, or Firm* — Studebaker & Brackett PC

(57) **CLAIM**

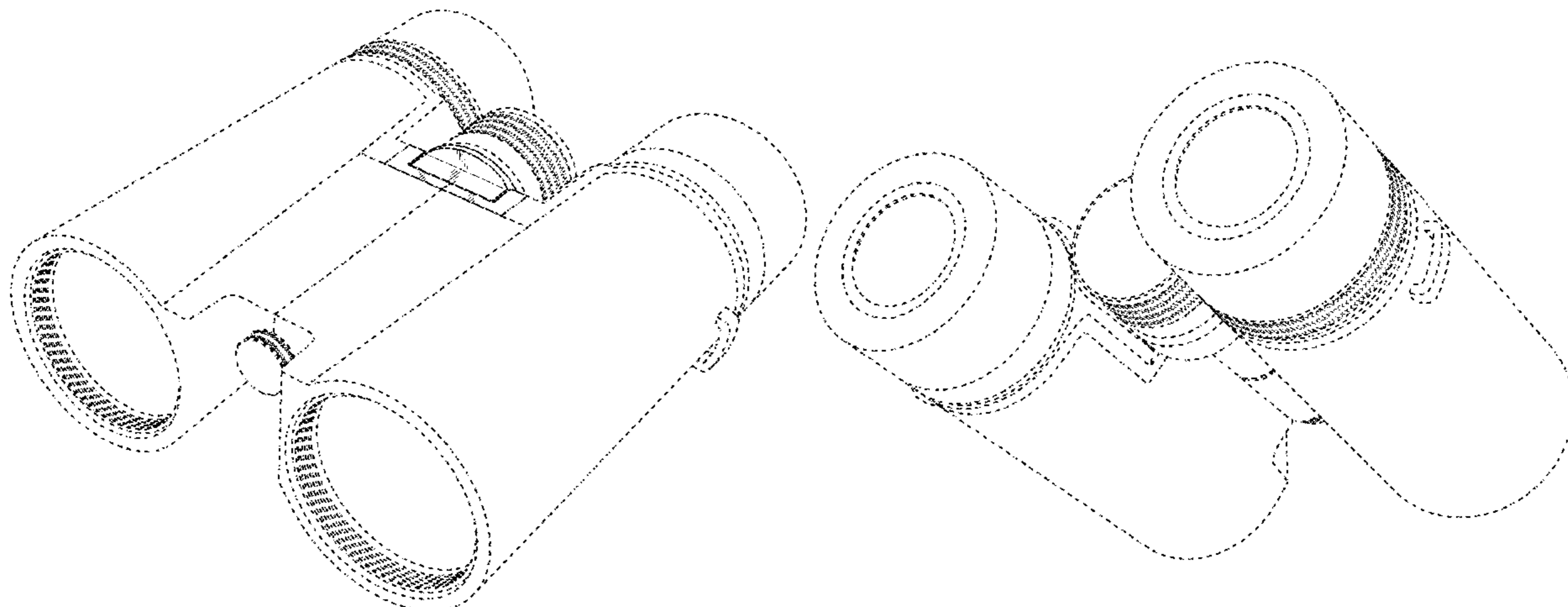
The ornamental design for a dial member for binocular or the like, as shown and described.

DESCRIPTION

FIG. 1 is a perspective view from upper and front side of a dial member showing our new design;
FIG. 2 is a perspective view from upper, front and right side thereof;
FIG. 3 is a perspective view from lower, rear and left side thereof;
FIG. 4 is a front view thereof;
FIG. 5 is a rear view thereof;
FIG. 6 is a top plan view thereof;
FIG. 7 is a bottom plan view thereof;
FIG. 8 is a right side view thereof;
FIG. 9 is a left side view thereof;
FIG. 10 is a perspective view from the upper and front side of the dial member shown in an alterante state of use;
FIG. 11 is a perspective view from upper, front and left side view thereof;
FIG. 12 is a front view thereof;
FIG. 13 is a rear view thereof;
FIG. 14 is a top plan view thereof;
FIG. 15 is a bottom plan view thereof;
FIG. 16 is a right side view thereof;
FIG. 17 is a left side view thereof;
FIG. 18 is a right side view of a dial member of the binoculars; and,
FIG. 19 is a left side view of the dial member of the binoculars.

The dash-dash broken lines showing binoculars are for environmental purposes and form no part of the claimed

(Continued)



US D963,723 S

Page 2

design. The dot-dash lines illustrate the bounds of the claim and form no part of the claimed design.

1 Claim, 14 Drawing Sheets

D904,480	S	*	12/2020	Vanková	D16/133
D931,354	S	*	9/2021	Ye	D16/133
D932,533	S	*	10/2021	Sakai	D16/133
D939,006	S	*	12/2021	Suzuki	D16/133
D940,773	S	*	1/2022	Sakai	D16/133
D940,774	S	*	1/2022	Sakai	D16/133

(58) Field of Classification Search

CPC G02B 23/00; G02B 23/18; G02B 23/20
See application file for complete search history.

FOREIGN PATENT DOCUMENTS

JP	1316240	S	12/2007
JP	1319025	S	1/2008

(56)

References Cited

U.S. PATENT DOCUMENTS

D671,974	S	*	12/2012	Wunnicke	D16/133
D691,020	S	*	10/2013	Wiese	D8/323
D713,437	S	*	9/2014	Soejima	D16/133
D748,177	S	*	1/2016	Radau	D16/133
D780,243	S	*	2/2017	Marsiglia	D16/133
D859,489	S	*	9/2019	Kobayashi	D16/133
D869,535	S	*	12/2019	Schmitt	D16/133
D896,292	S	*	9/2020	Ushio	D16/133

OTHER PUBLICATIONS

FMT/MT series (Nikkann Kogyo Shimbun May 14, 2003 P11 There is a photograph), p. 2, (Japan Patent Office, Design Division Official Gazette No. HC15019964).
Pentax Sport Optics, p. 5, (Japan Patent Office, Design Division Official Gazette No. HD19005598).
Office ACTION issued in JP 2020-012788; mailed by the Japanese Patent Office dated Oct. 23, 2020.

* cited by examiner

FIG. 1

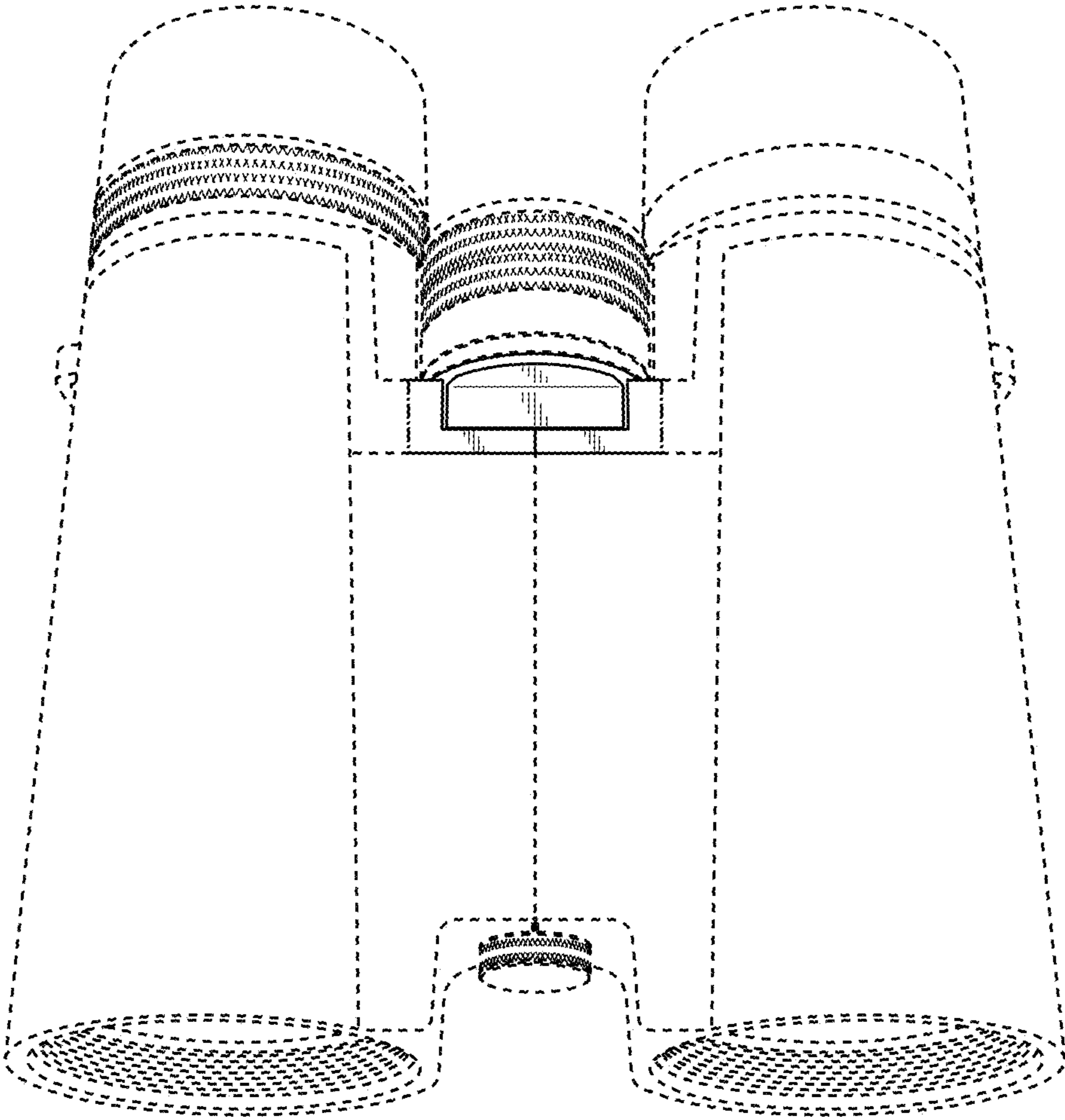


FIG. 2

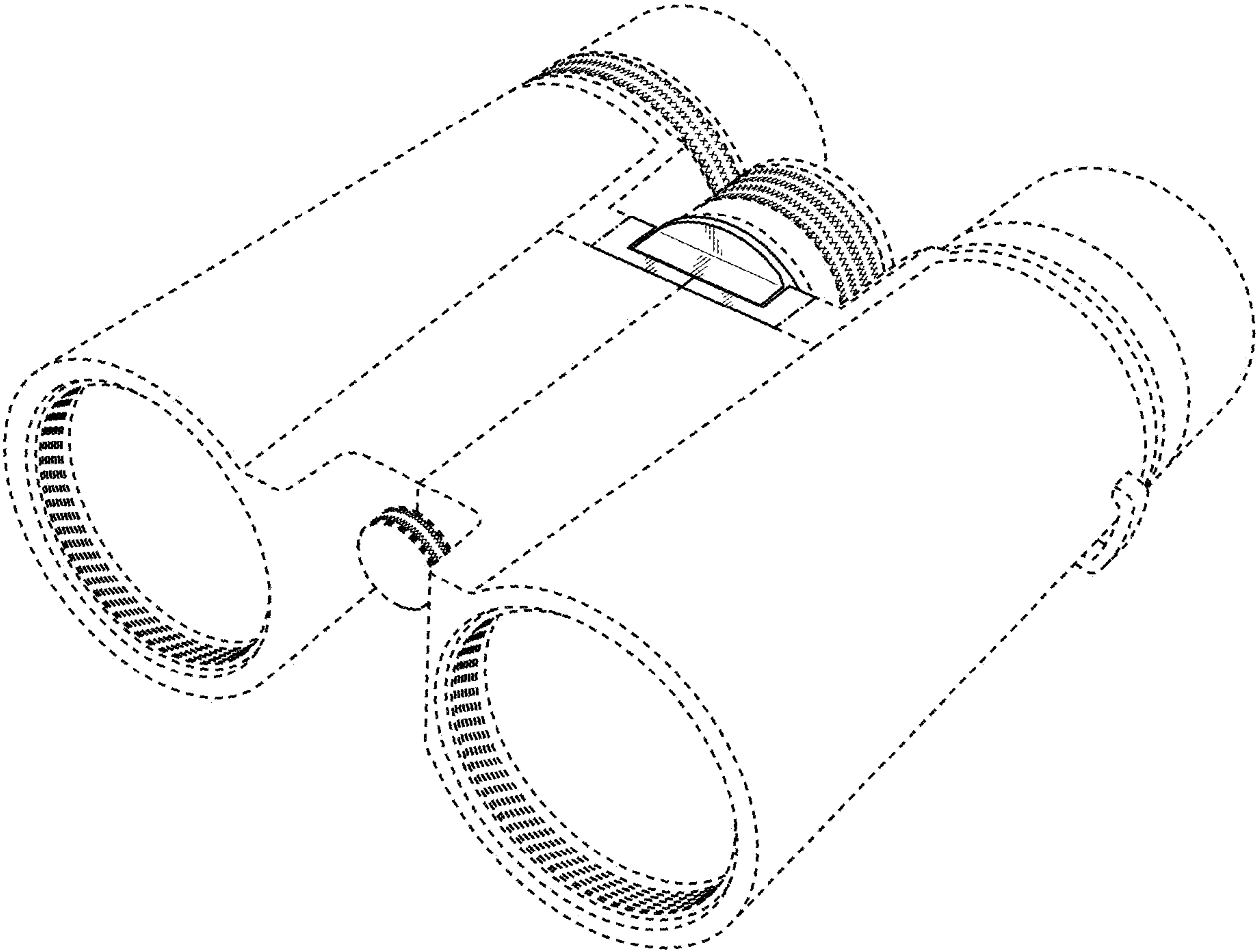


FIG. 3

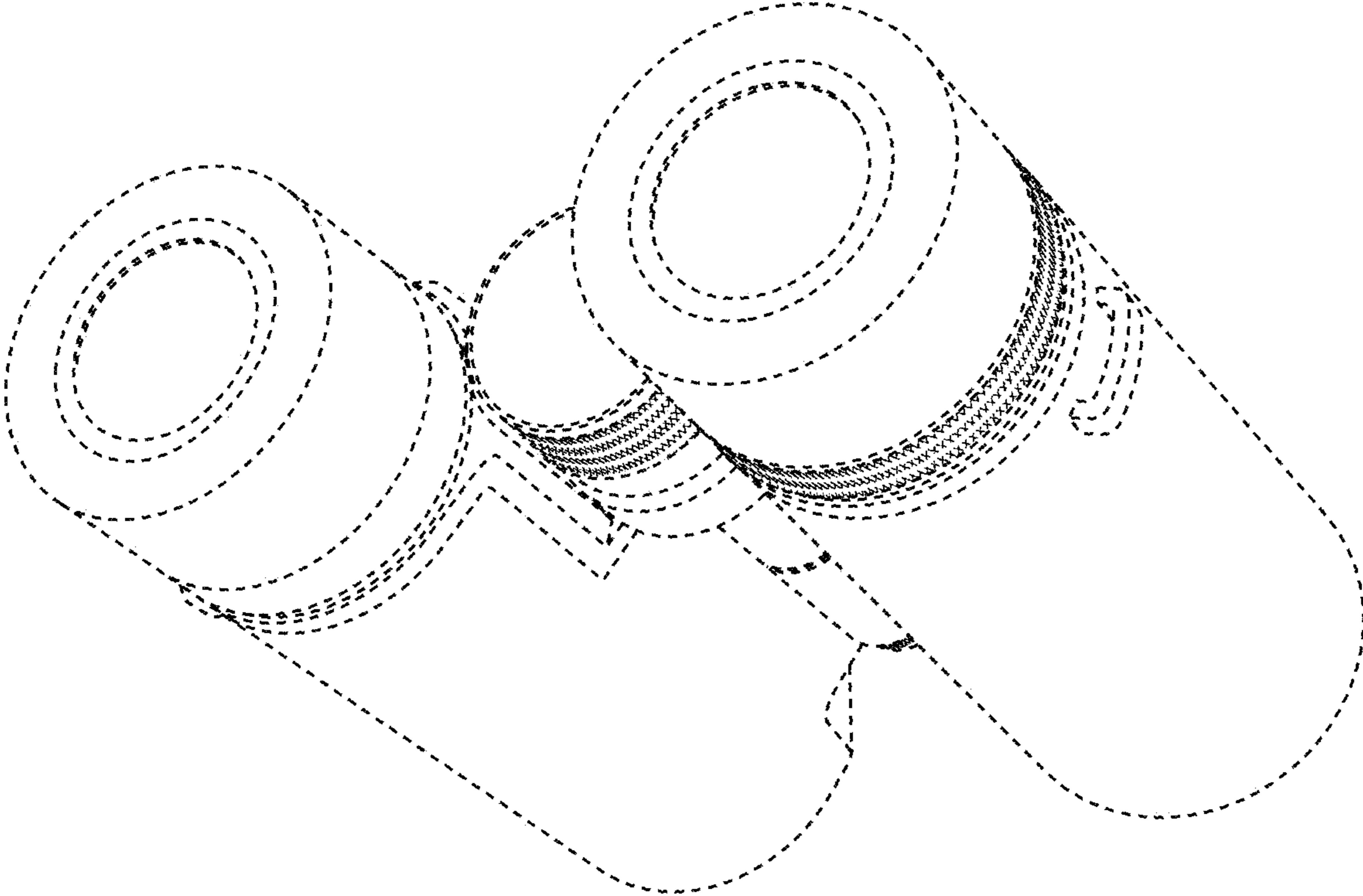


FIG. 4

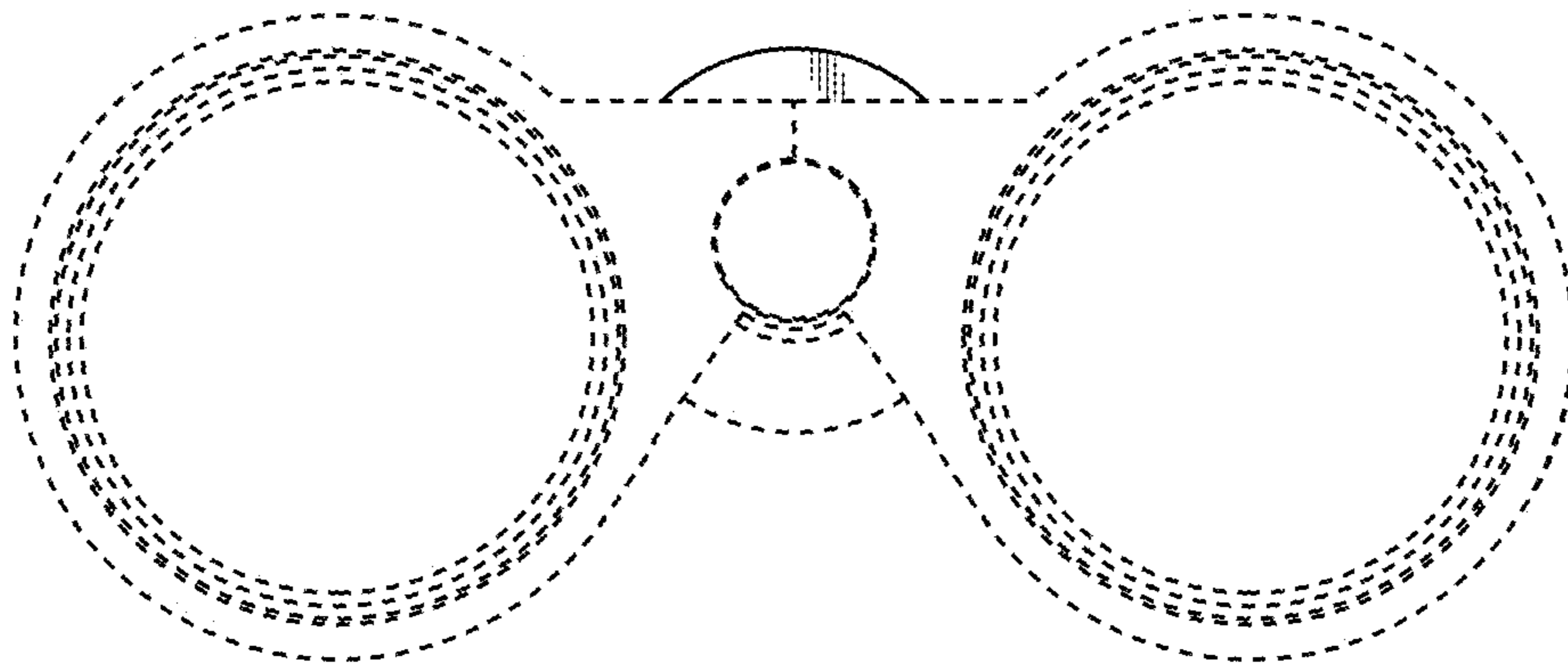


FIG. 5

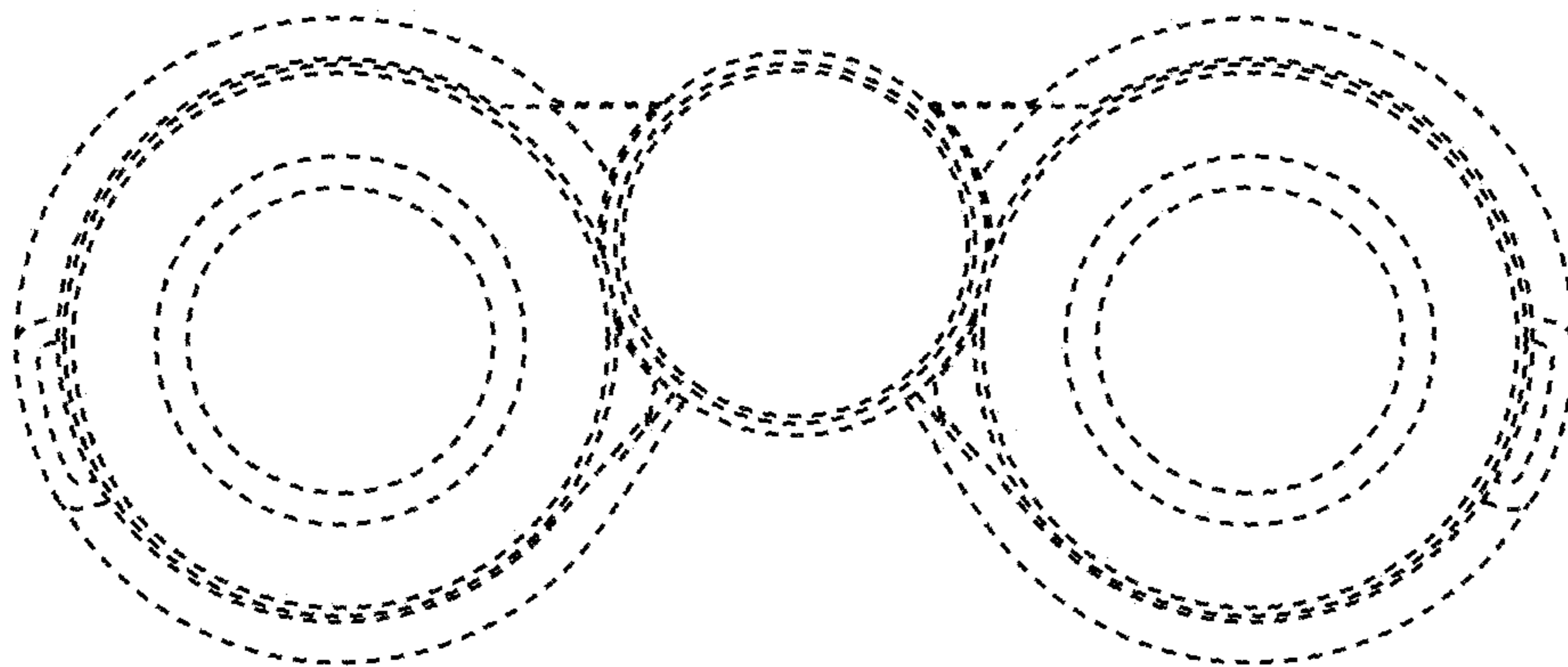


FIG. 6

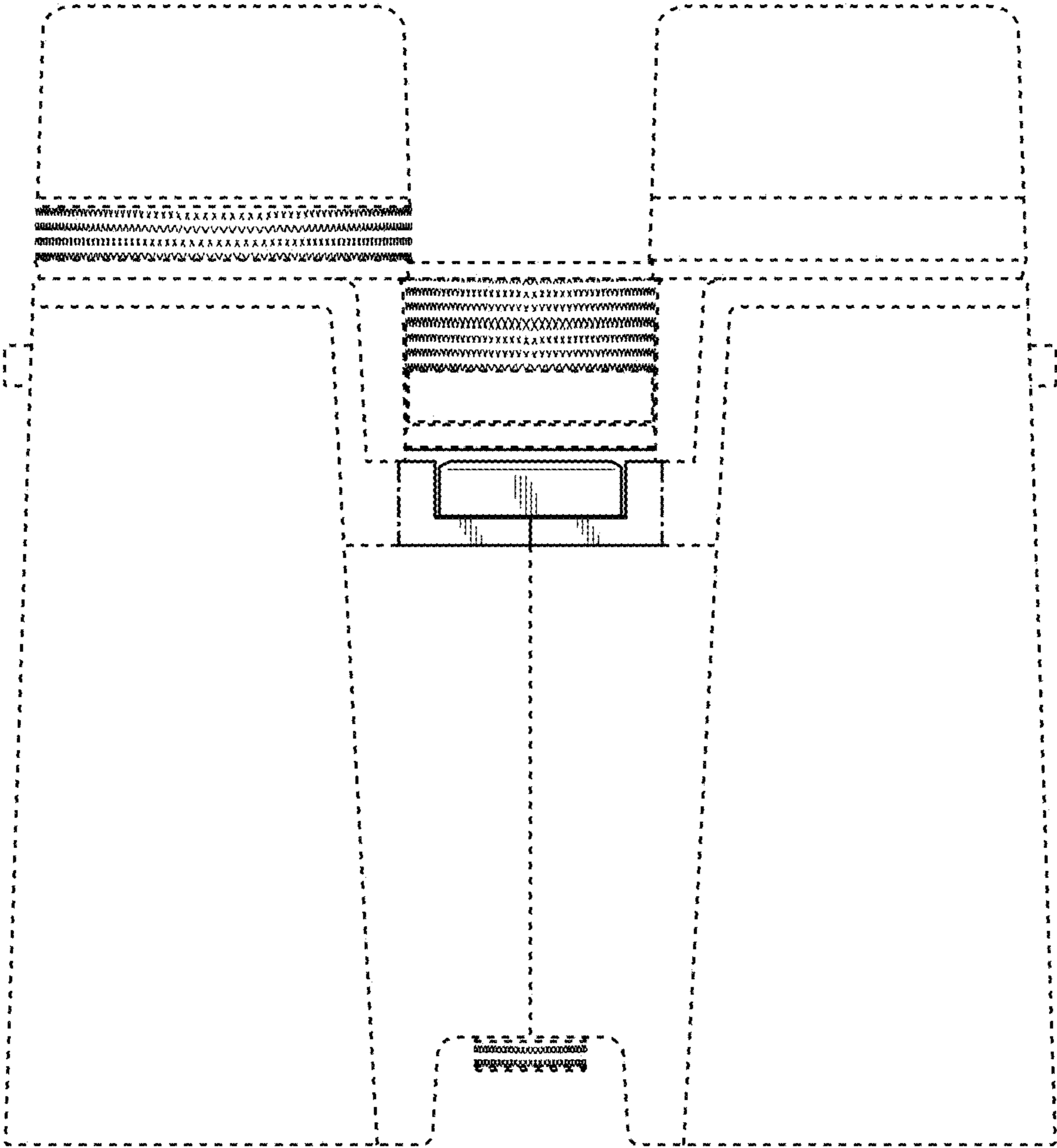


FIG. 7

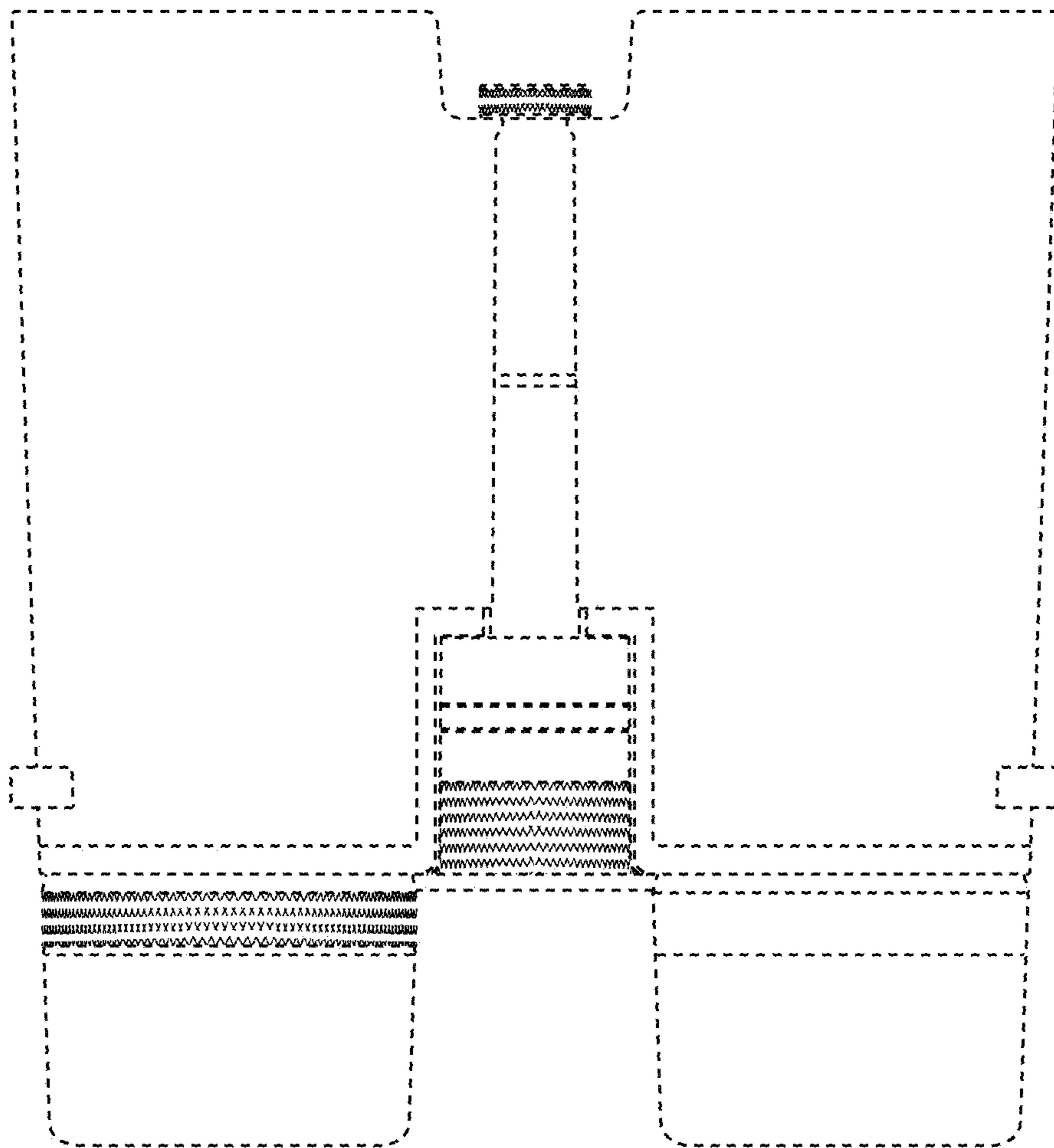


FIG. 8

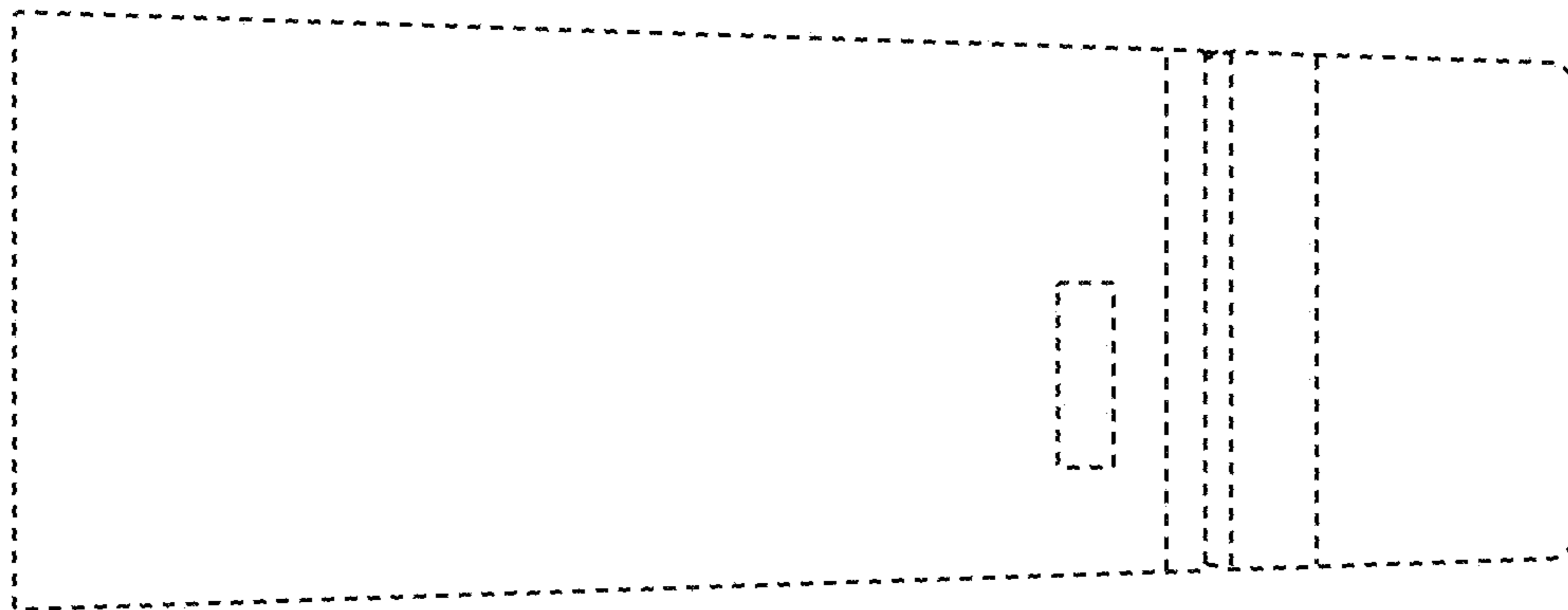


FIG. 9

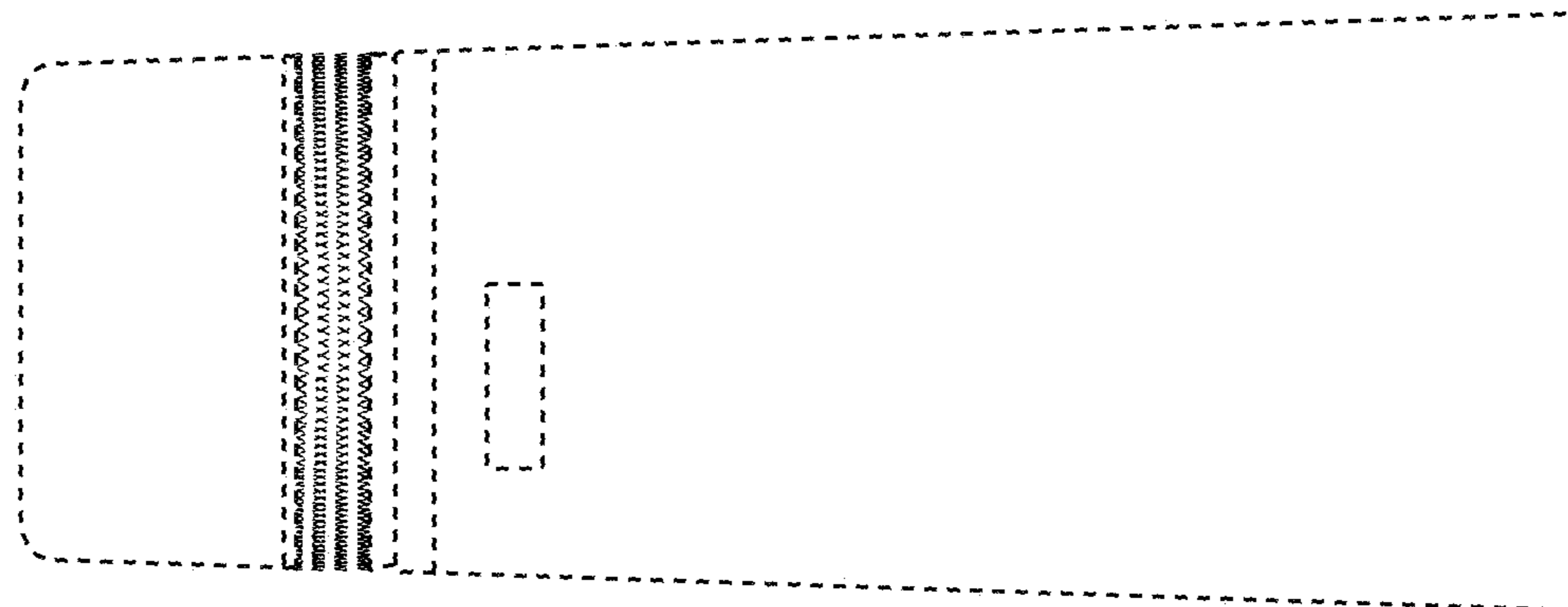


FIG. 10

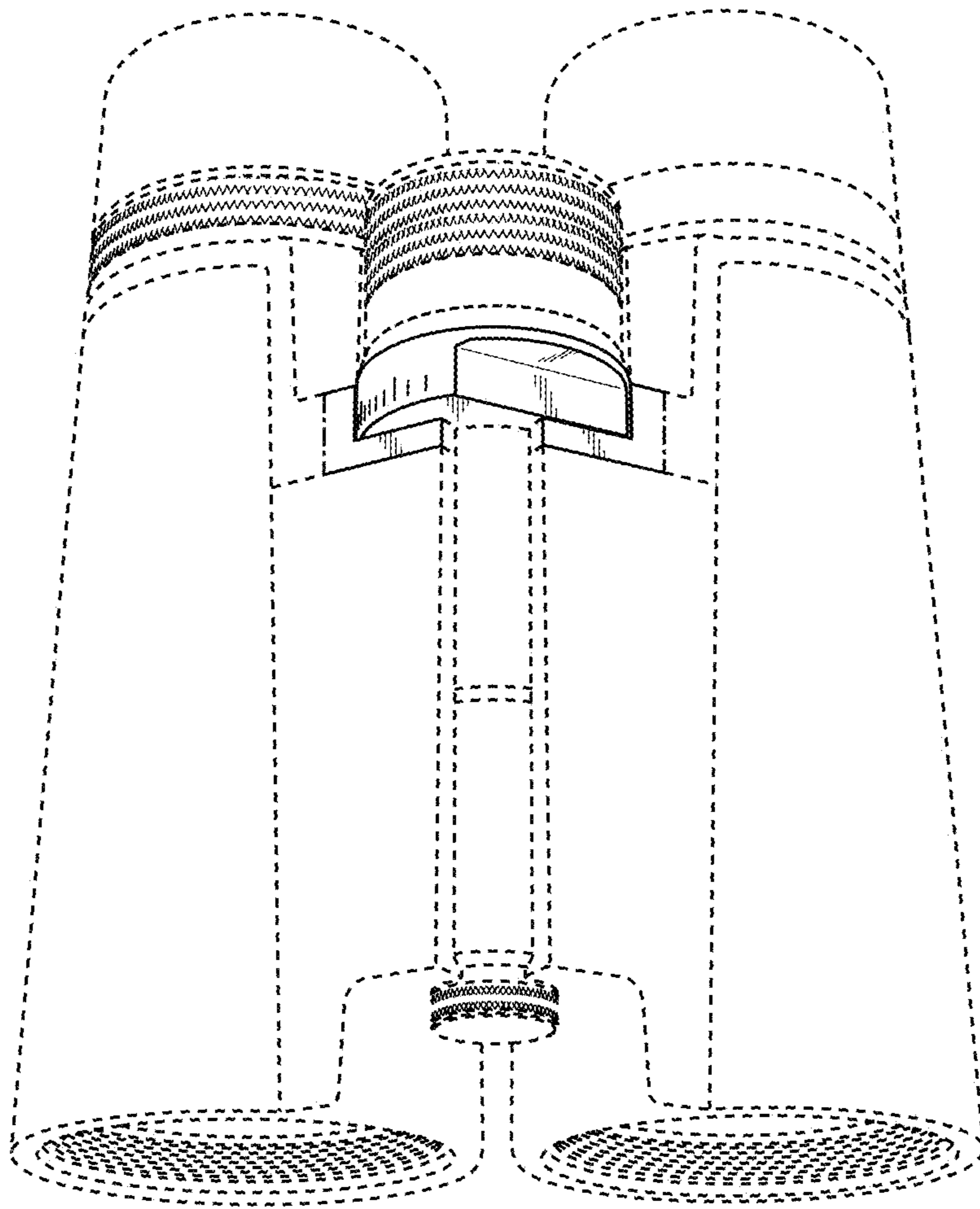


FIG. 11

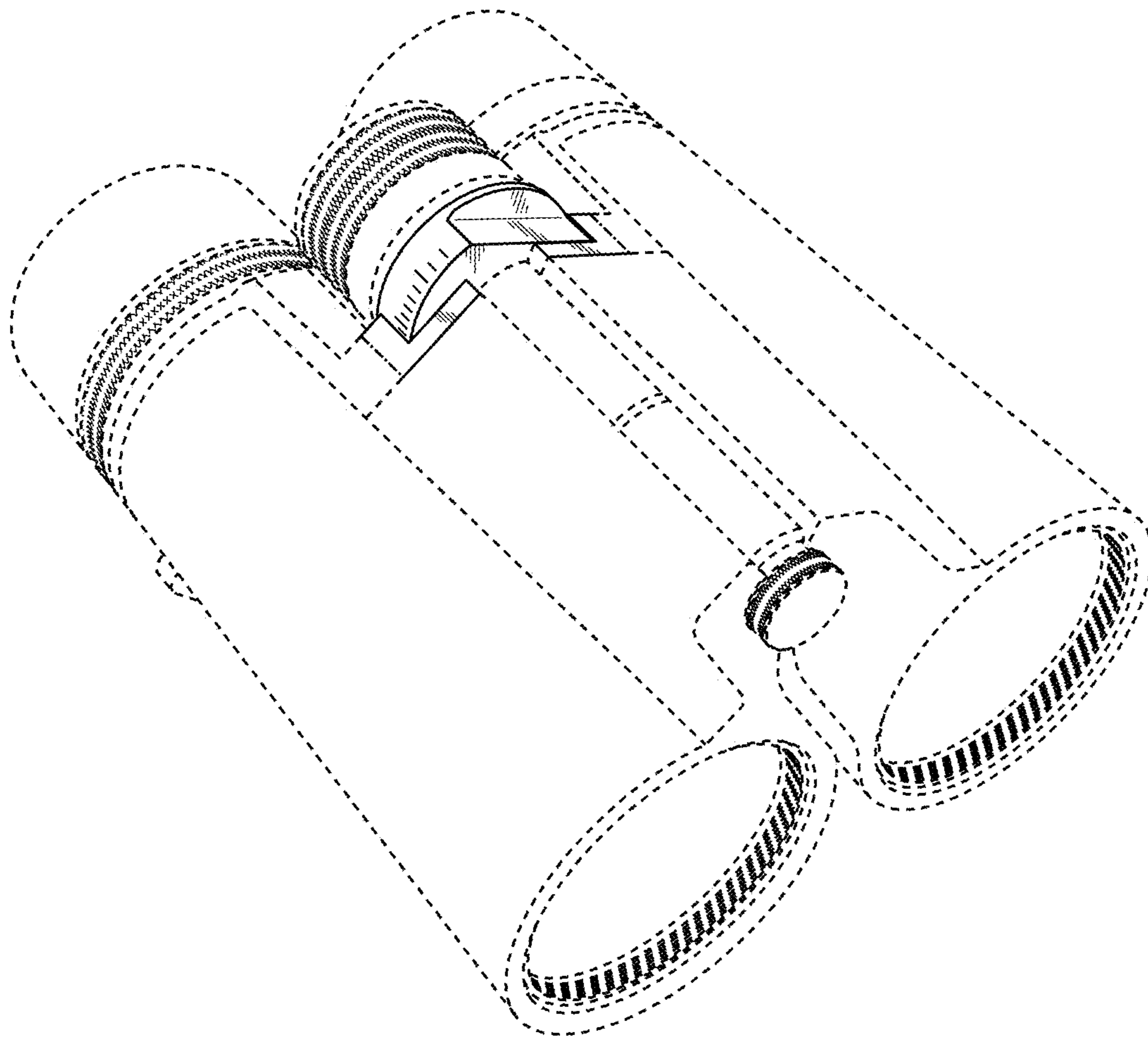


FIG. 12

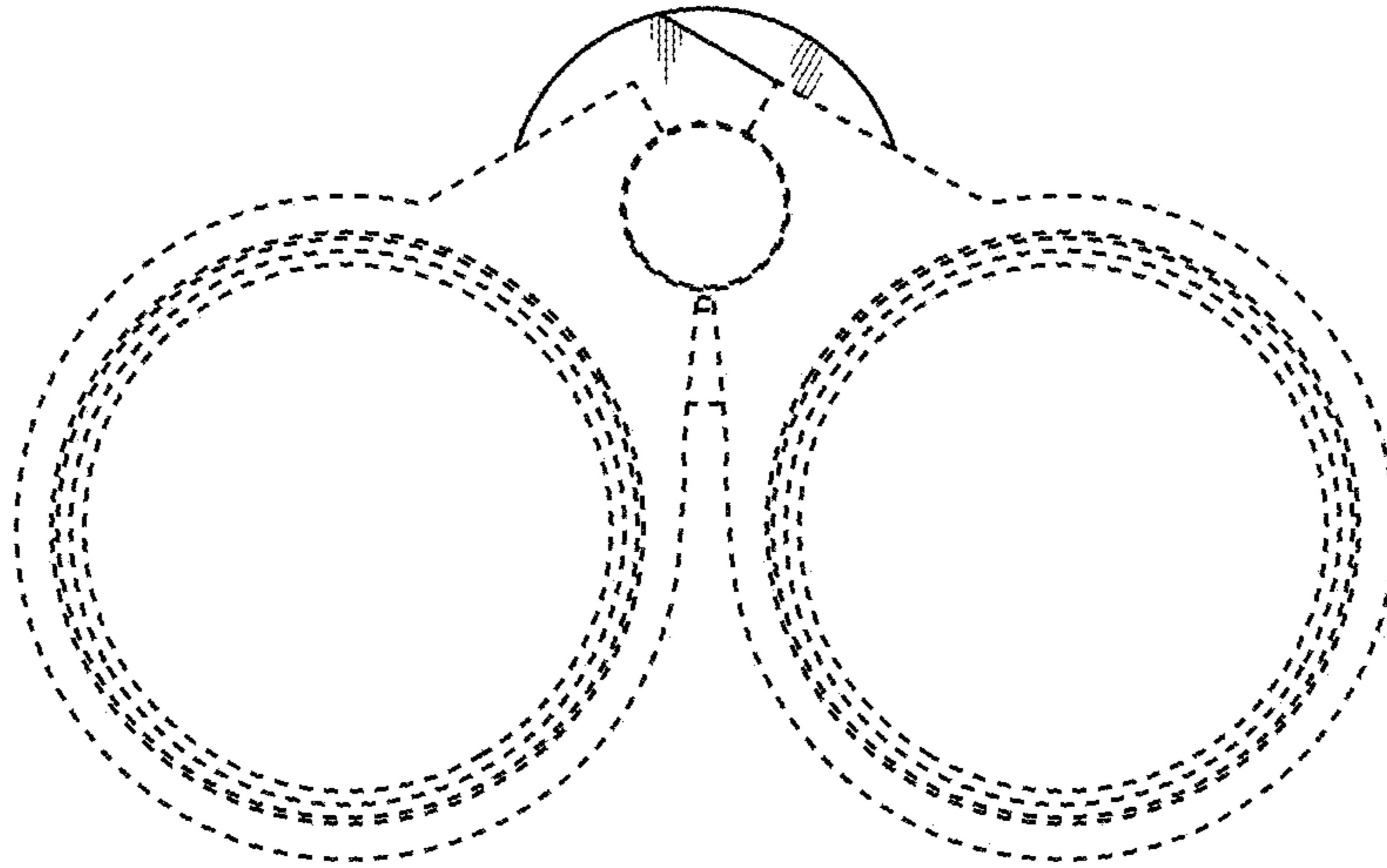


FIG. 13

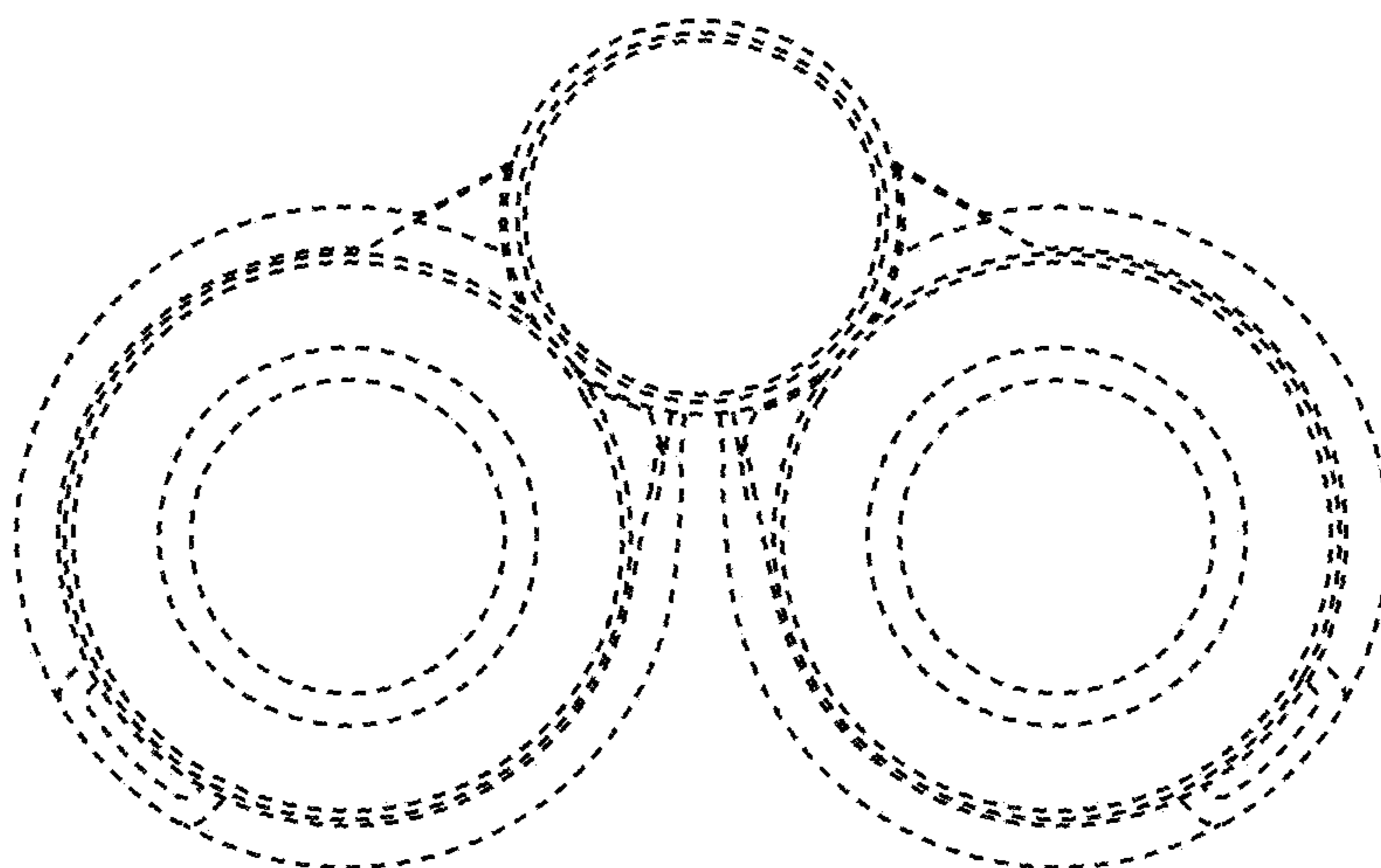


FIG. 14

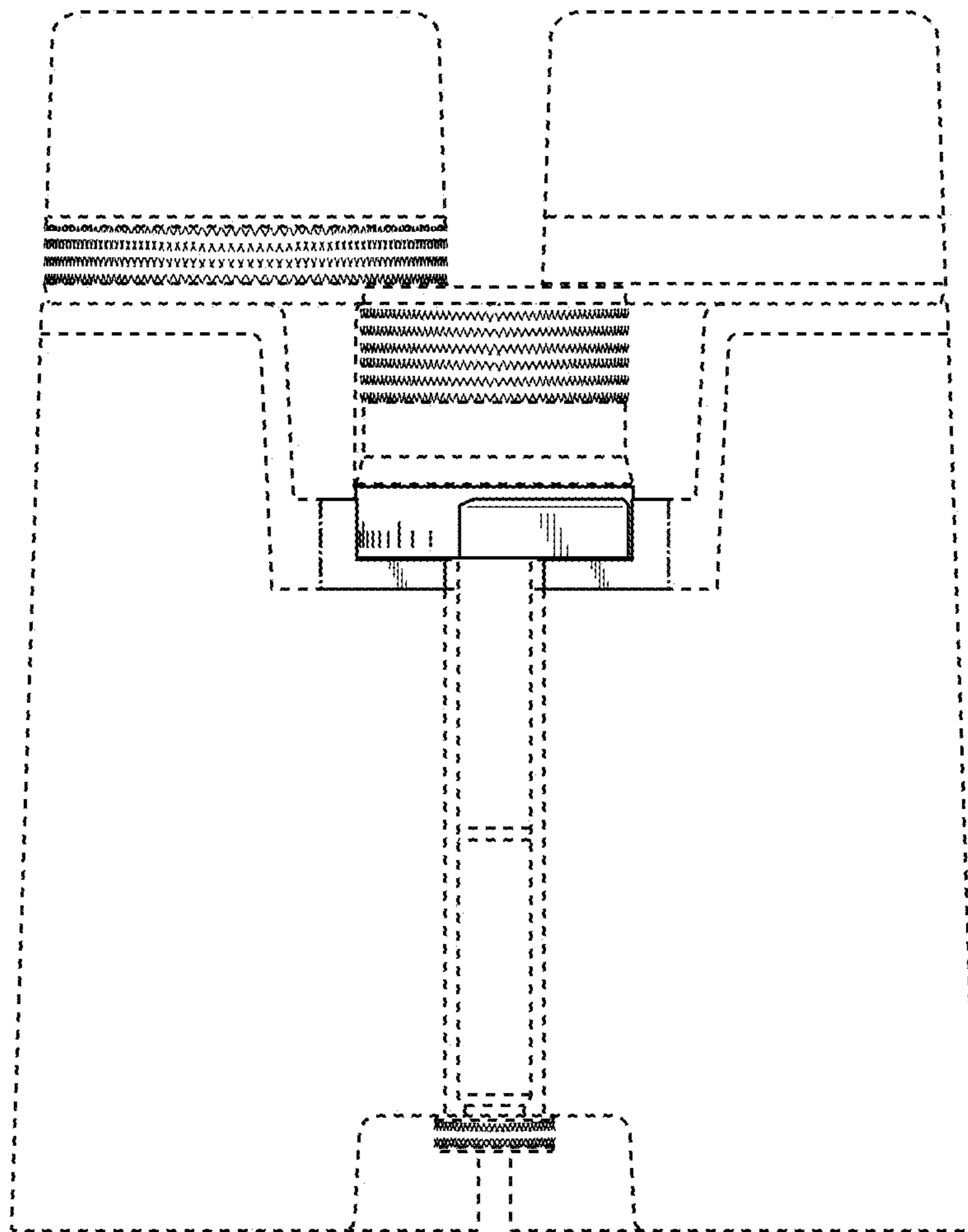


FIG. 15

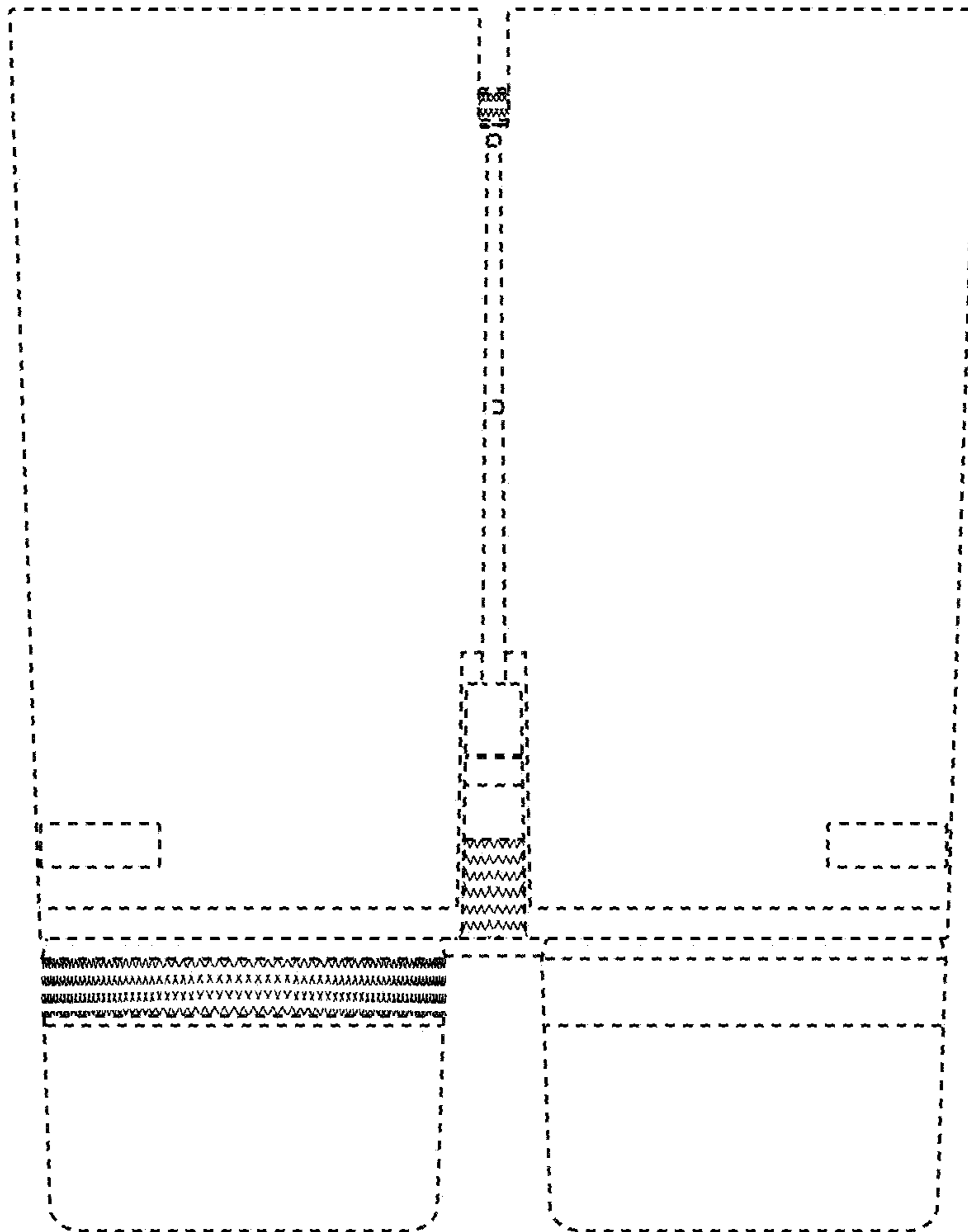


FIG. 16

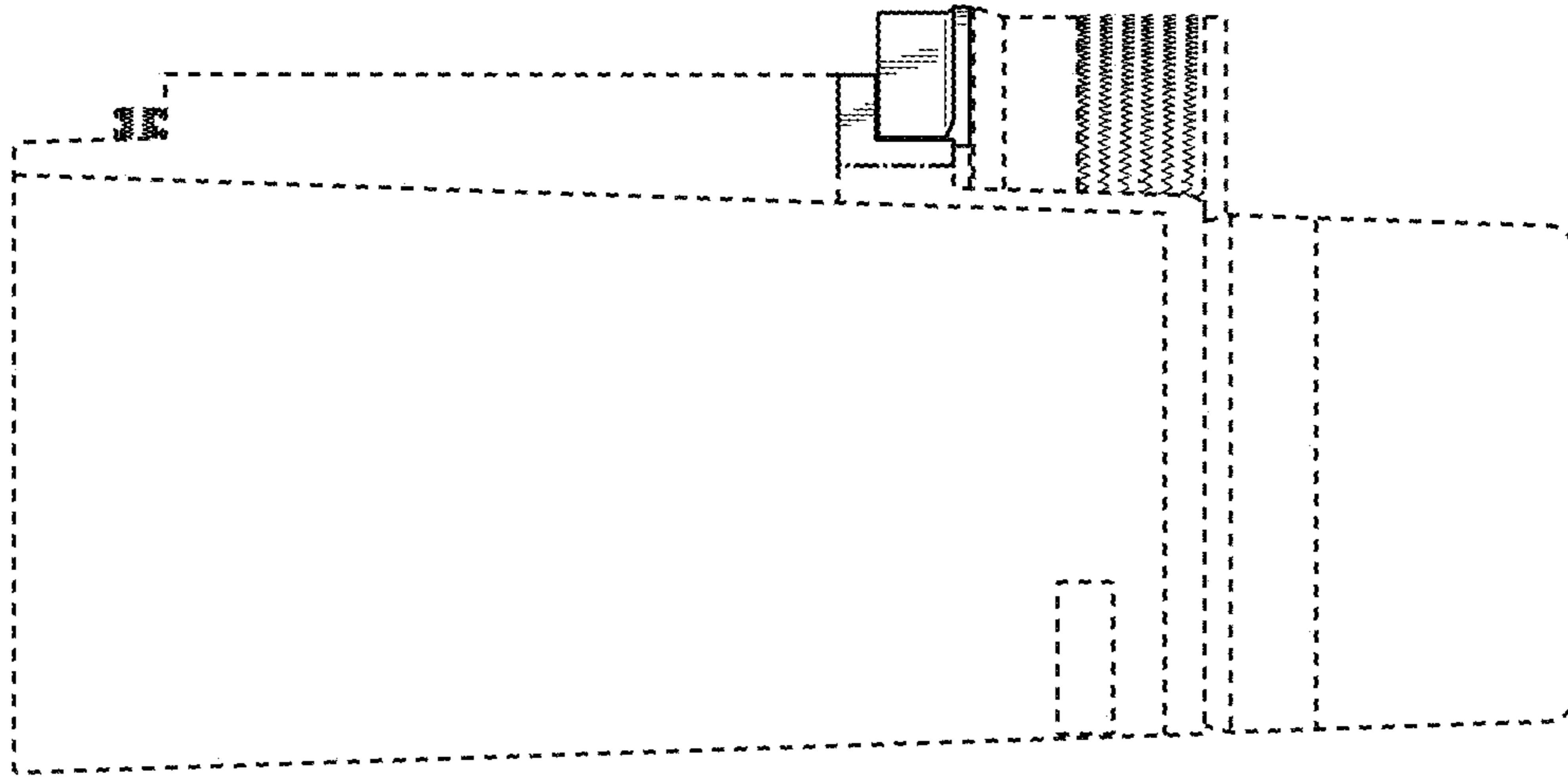


FIG. 17

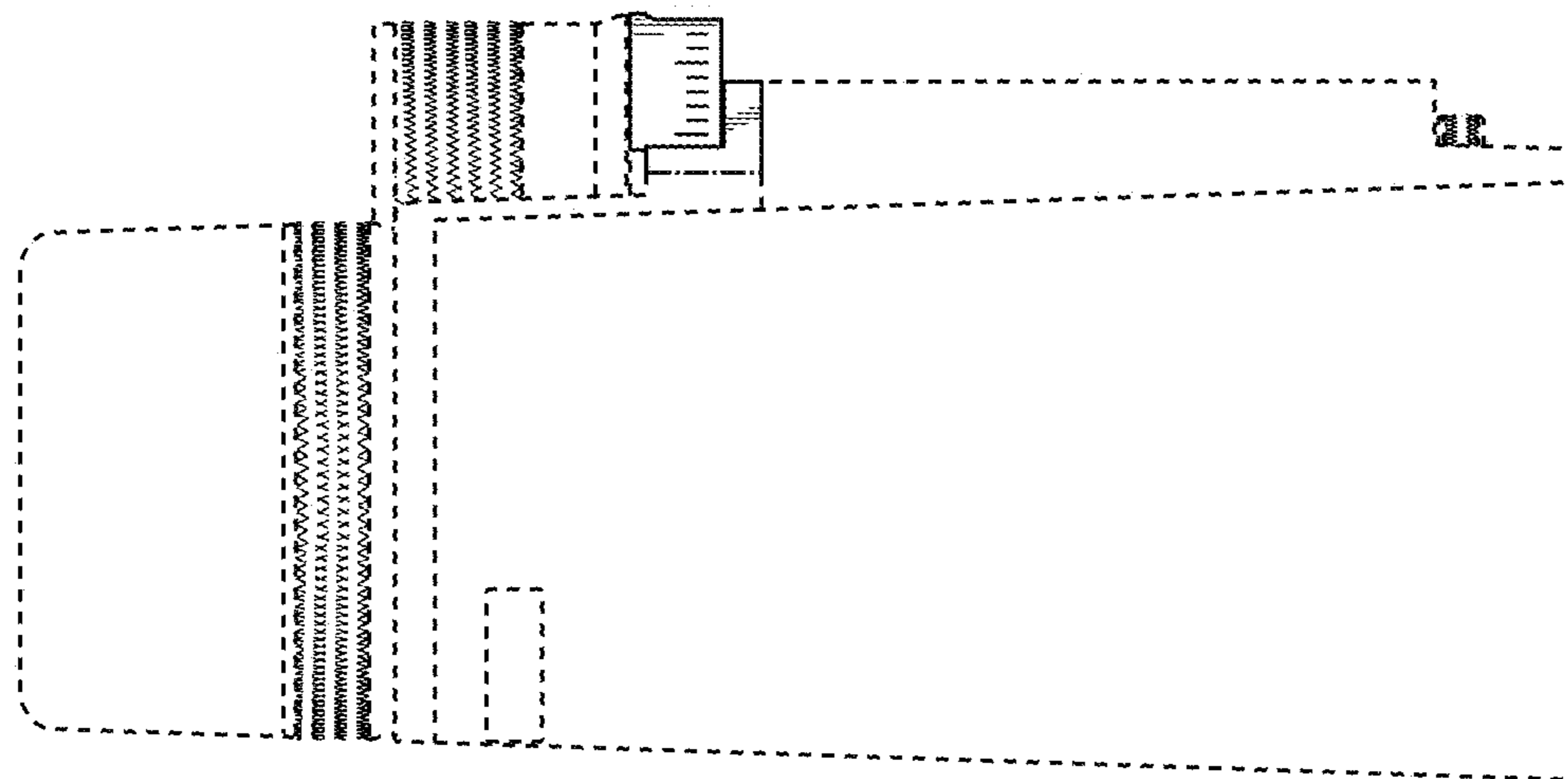


FIG. 18

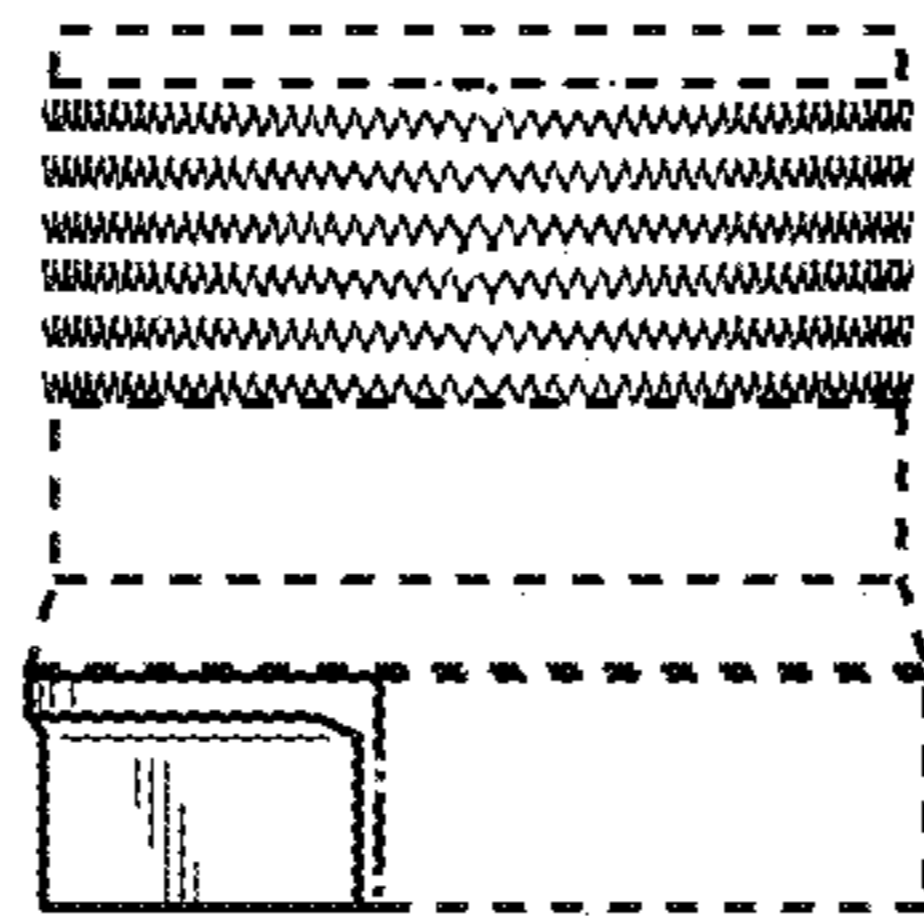


FIG. 19

