

US00D963722S

(12) **United States Design Patent**
Hernandez et al.

(10) **Patent No.:** **US D963,722 S**

(45) **Date of Patent:** **** Sep. 13, 2022**

(54) **ROBOT**

(71) Applicants: **UBTECH NORTH AMERICA RESEARCH AND DEVELOPMENT CENTER CORP**, Pasadena, CA (US); **UBTECH ROBOTICS CORP LTD**, Shenzhen (CN)

(72) Inventors: **Francisco Jose Hernandez**, Long Beach, CA (US); **Brandon Jon LaPlante**, Pasadena, CA (US); **Jiexin Cai**, Pasadena, CA (US); **ChengKun Zhang**, Temple City, CA (US); **Huan Tan**, Pasadena, CA (US)

(73) Assignees: **UBTECH NORTH AMERICA RESEARCH AND DEVELOPMENT CENTER CORP**, Pasadena, CA (US); **UBTECH ROBOTICS CORP LTD**, Shenzhen (CN)

(**) Term: **15 Years**

(21) Appl. No.: **29/797,012**

(22) Filed: **Jun. 28, 2021**

(51) **LOC (13) Cl.** **15-99**

(52) **U.S. Cl.**
USPC **D15/199**

(58) **Field of Classification Search**
USPC D15/199; D21/578-583, 621, 622; D32/21; D34/34
CPC B25J 5/007; B25J 11/00; B25J 11/008; B62D 57/024; G06N 3/008; Y10S 901/01
See application file for complete search history.

(56) **References Cited**

U.S. PATENT DOCUMENTS

D712,447 S * 9/2014 He D15/199
D810,167 S * 2/2018 Yang D15/199

D810,800 S * 2/2018 Wang D15/199
D811,458 S * 2/2018 Wang D15/199
D813,285 S * 3/2018 Wei D15/199
D817,375 S * 5/2018 Deyle D15/199
D819,712 S * 6/2018 Gee D15/199
D822,736 S * 7/2018 Kato D15/199
D826,302 S * 8/2018 Tsukamoto D15/199
D829,250 S * 9/2018 Zilbershtein D15/199
D829,793 S * 10/2018 Wang D15/199
D841,067 S * 2/2019 Camporesi D15/199
D855,673 S * 8/2019 Sutherland D15/199
D859,485 S * 9/2019 Sutherland D15/199
D869,533 S * 12/2019 Kim A63H 11/00
D15/199
D870,788 S * 12/2019 Kim A63H 11/00
D15/199
D872,788 S * 1/2020 Sutherland D15/199
D879,174 S * 3/2020 Kammermeier D15/199
D884,764 S * 5/2020 Mori D15/199
D888,790 S * 6/2020 Yao D15/199

(Continued)

Primary Examiner — Patricia A Palasik

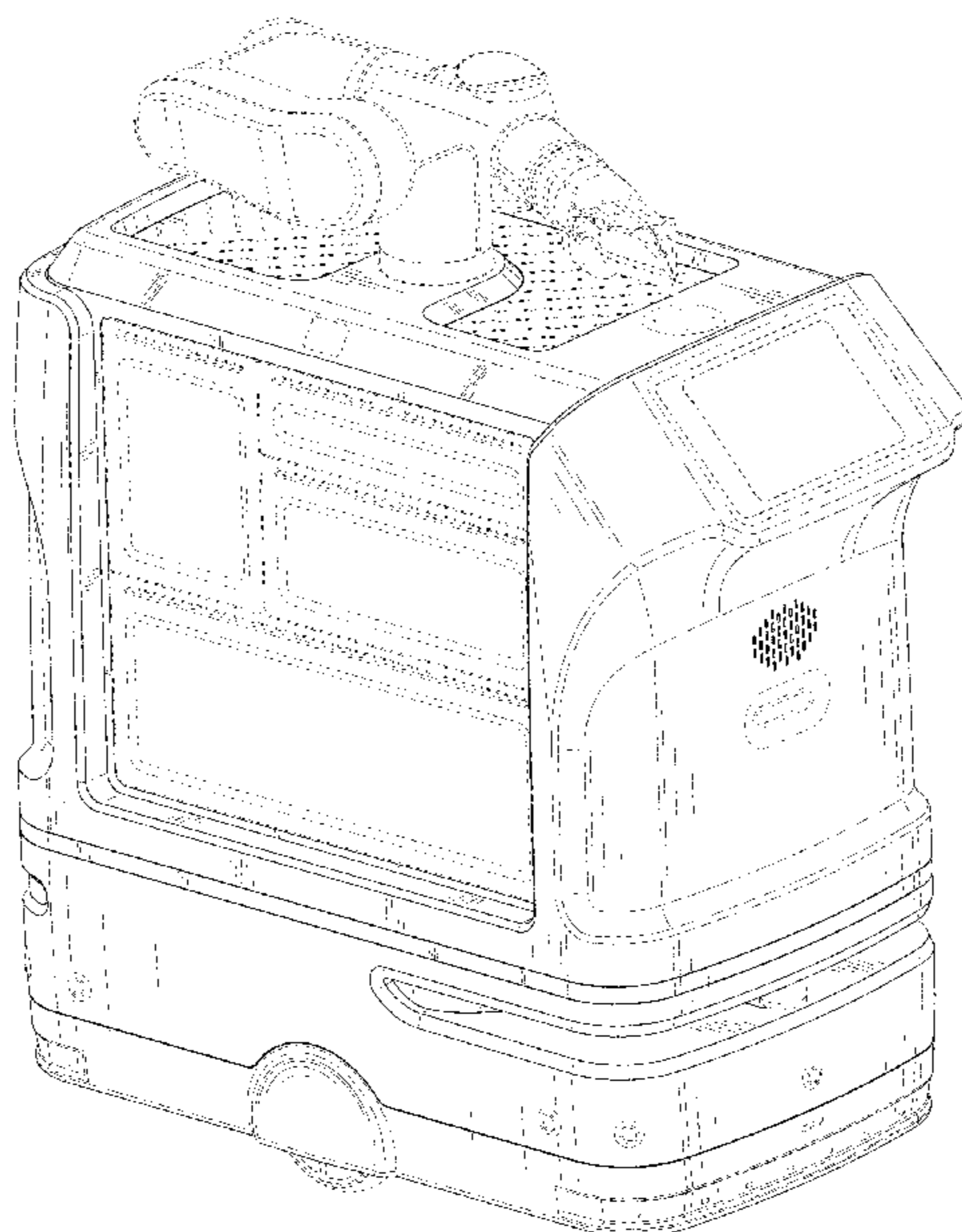
(57) **CLAIM**

The ornamental design for a robot, as shown and described.

DESCRIPTION

FIG. 1 is a first perspective view of a robot showing the claimed design in accordance with the present disclosure; FIG. 2 is a second perspective view thereof; FIG. 3 is a front elevational view thereof; FIG. 4 is a rear elevational view thereof; FIG. 5 is a left side elevational view thereof; FIG. 6 is a right side elevational view thereof; FIG. 7 is a top plan view thereof; and, FIG. 8 is a bottom plan view thereof. The broken lines in the Figures are for the purpose of illustrating portions of the article that form no part of the claimed design.

1 Claim, 8 Drawing Sheets



(56)

References Cited

U.S. PATENT DOCUMENTS

D888,791	S *	6/2020	Wu	D15/199
D893,570	S *	8/2020	Zheng	D15/199
D894,983	S *	9/2020	Okada	D15/199
D894,987	S *	9/2020	Li	D15/199
D895,709	S *	9/2020	Okada	D15/199
D908,151	S *	1/2021	Song	D15/199
D912,115	S *	3/2021	Rembisz	D15/199
D919,687	S *	5/2021	Song	D15/199
D920,410	S *	5/2021	Chen	D15/199
D920,411	S *	5/2021	Zheng	D15/199
D921,080	S *	6/2021	Chen	D15/199
D921,082	S *	6/2021	Hernandez	D15/199
D921,083	S *	6/2021	Hernandez	D15/199
D931,921	S *	9/2021	Haddadin	D15/199
D934,932	S *	11/2021	Han	D15/199
D934,933	S *	11/2021	Cho	D15/199
D934,934	S *	11/2021	Park	D15/199
D937,920	S *	12/2021	Gidwell	D15/199
D947,915	S *	4/2022	Li	D15/199
2011/0135189	A1 *	6/2011	Lee	G05D 1/0295
				901/1
2014/0074287	A1 *	3/2014	LaFary	G05B 19/4061
				700/253
2015/0073589	A1 *	3/2015	Khodl	B65G 1/1375
				700/218
2017/0337506	A1 *	11/2017	Wise	B65G 67/04

* cited by examiner

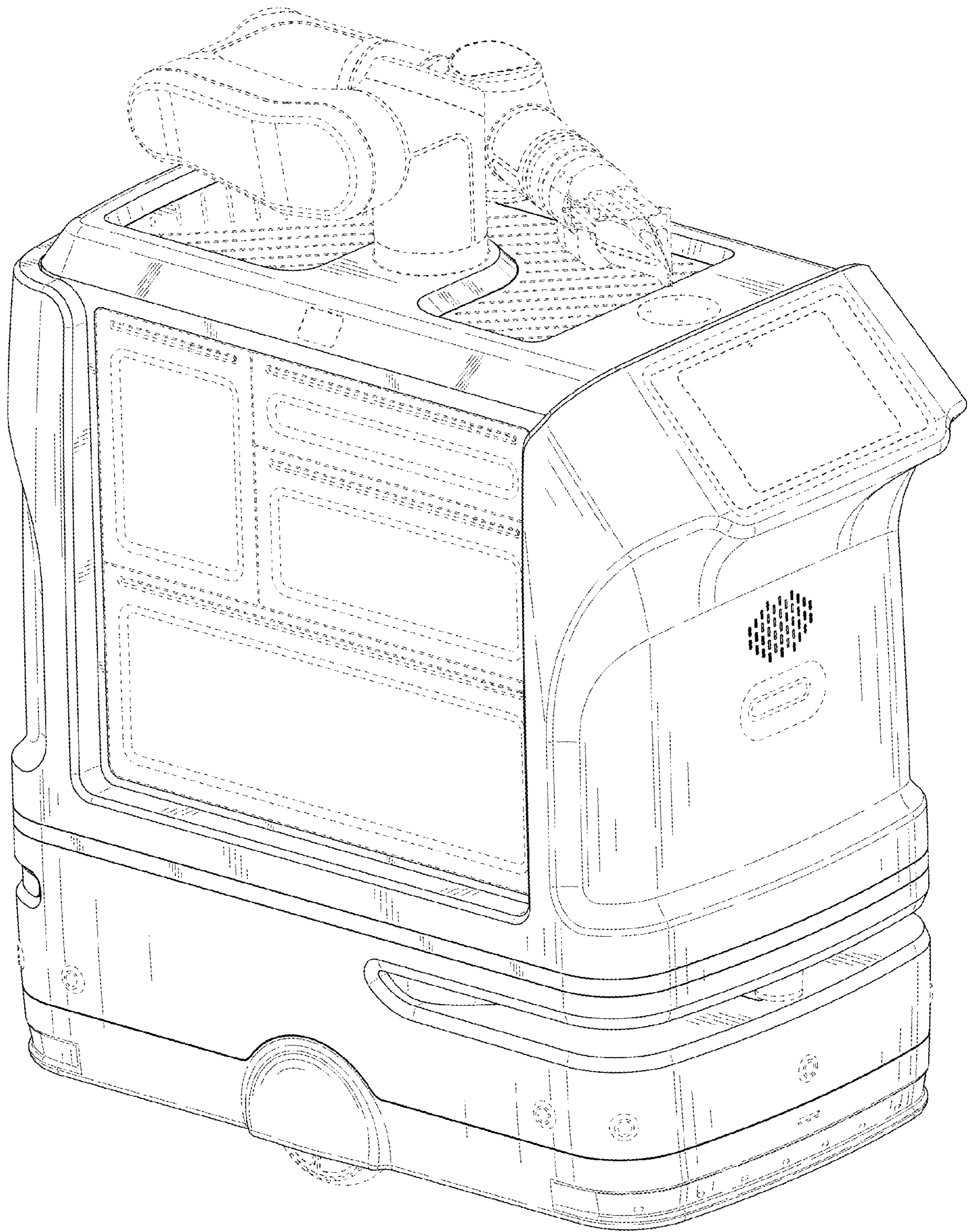


FIG. 1

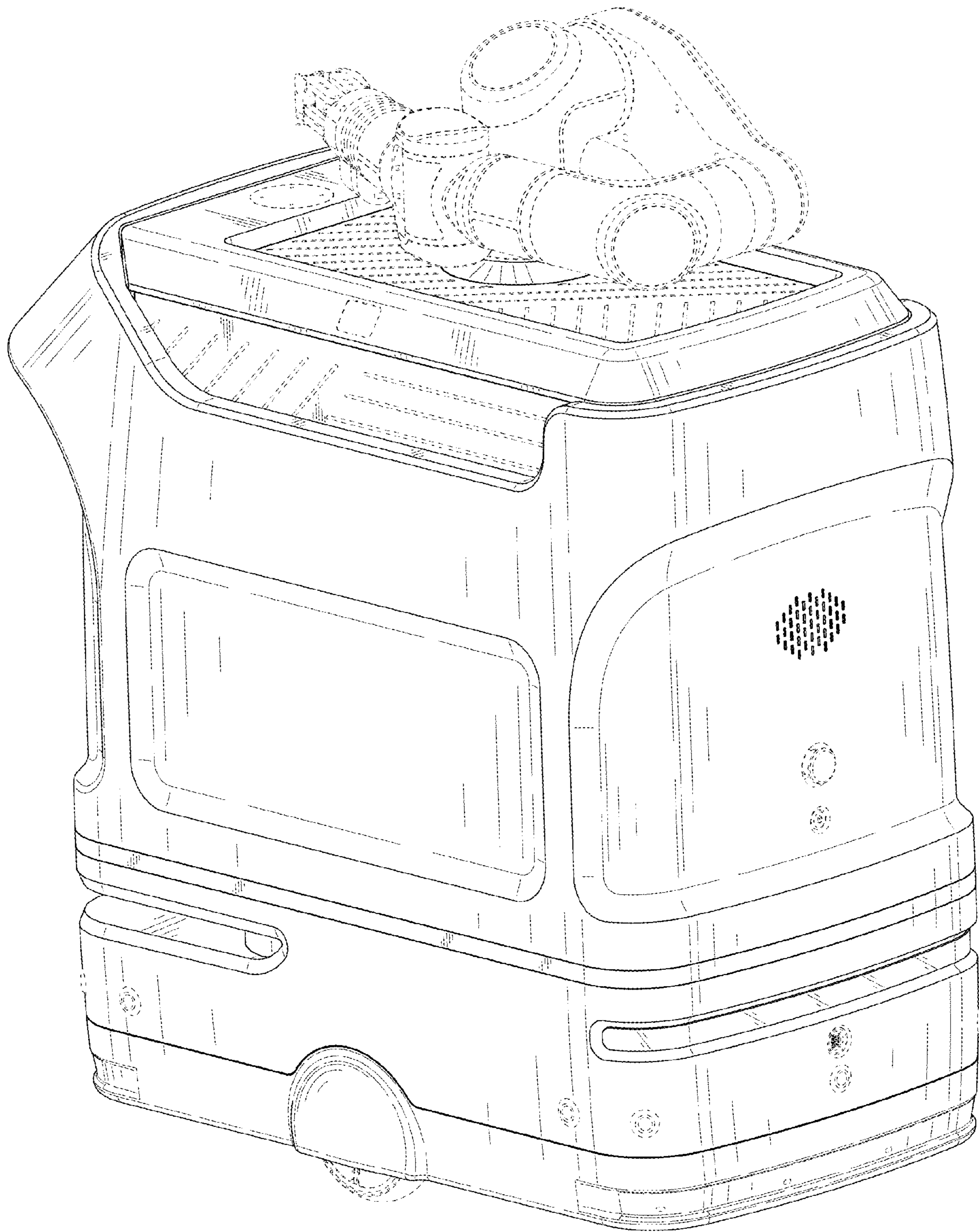


FIG. 2

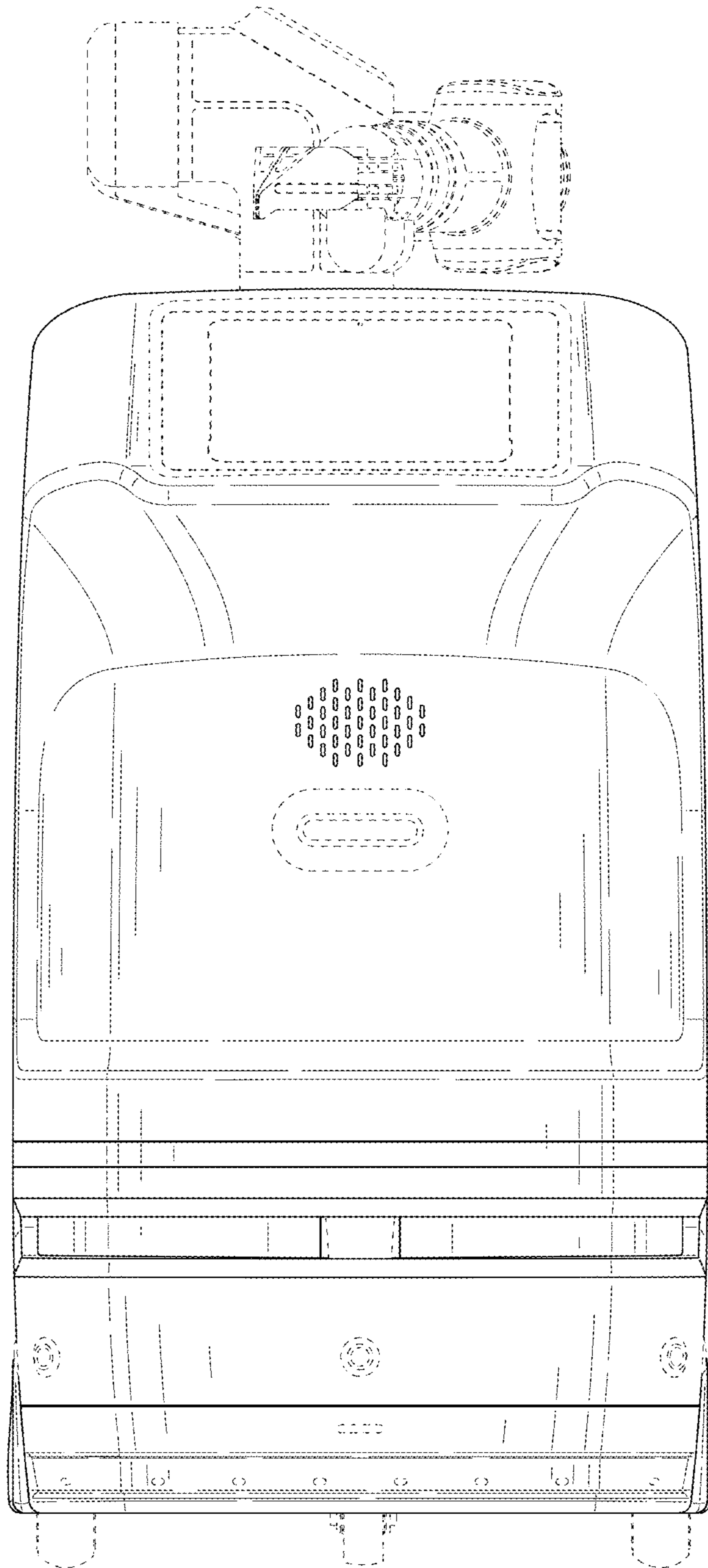


FIG. 3

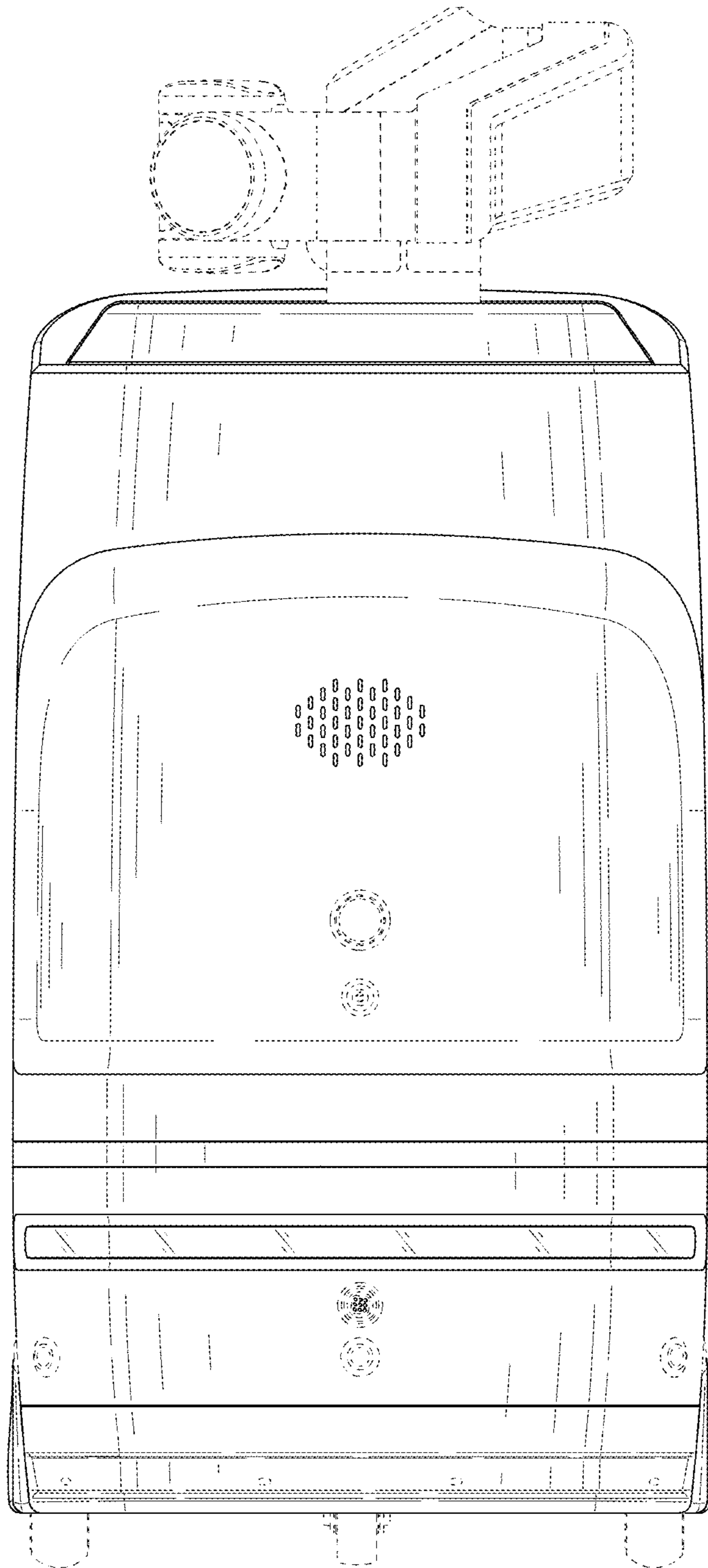


FIG. 4

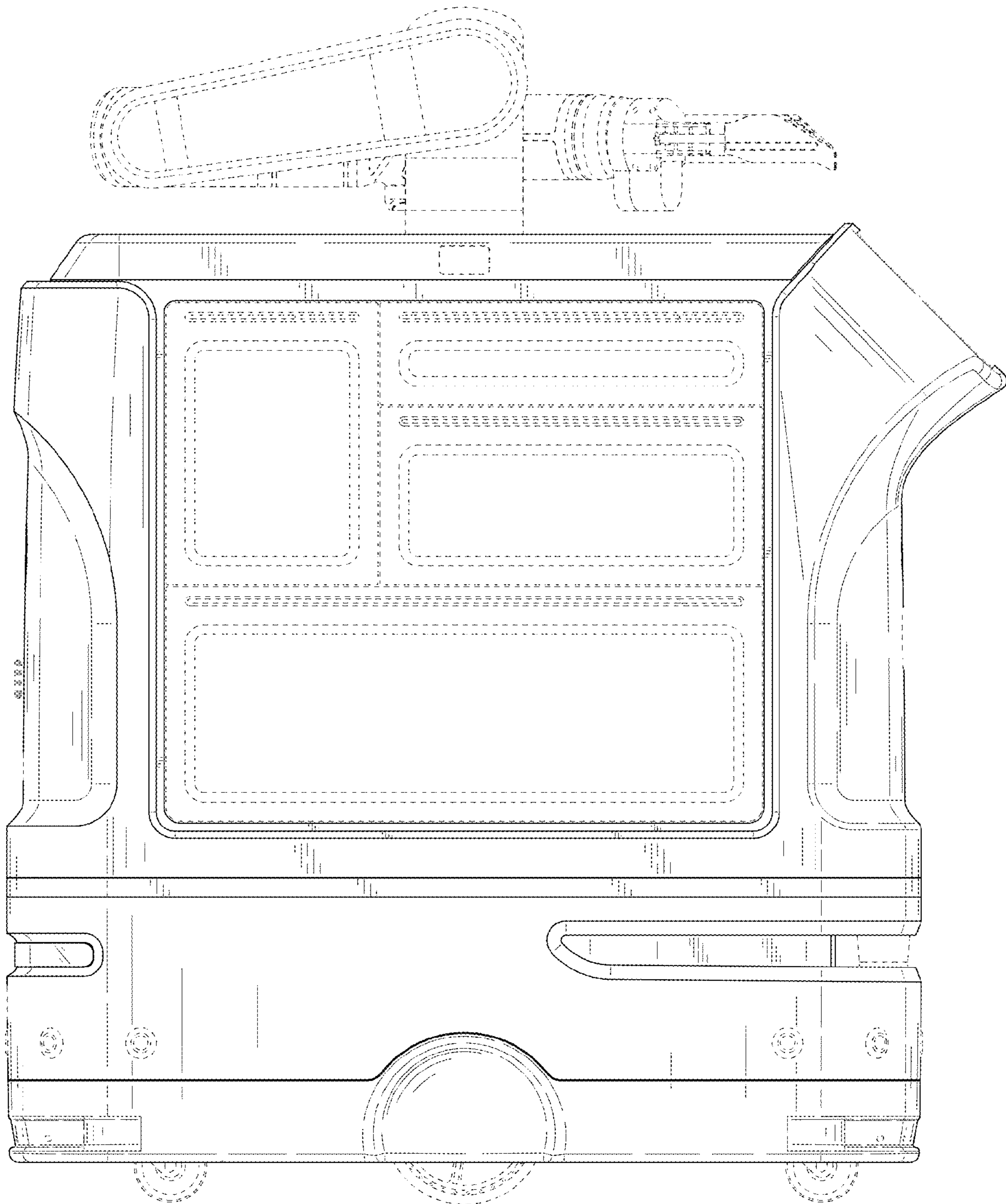


FIG. 5

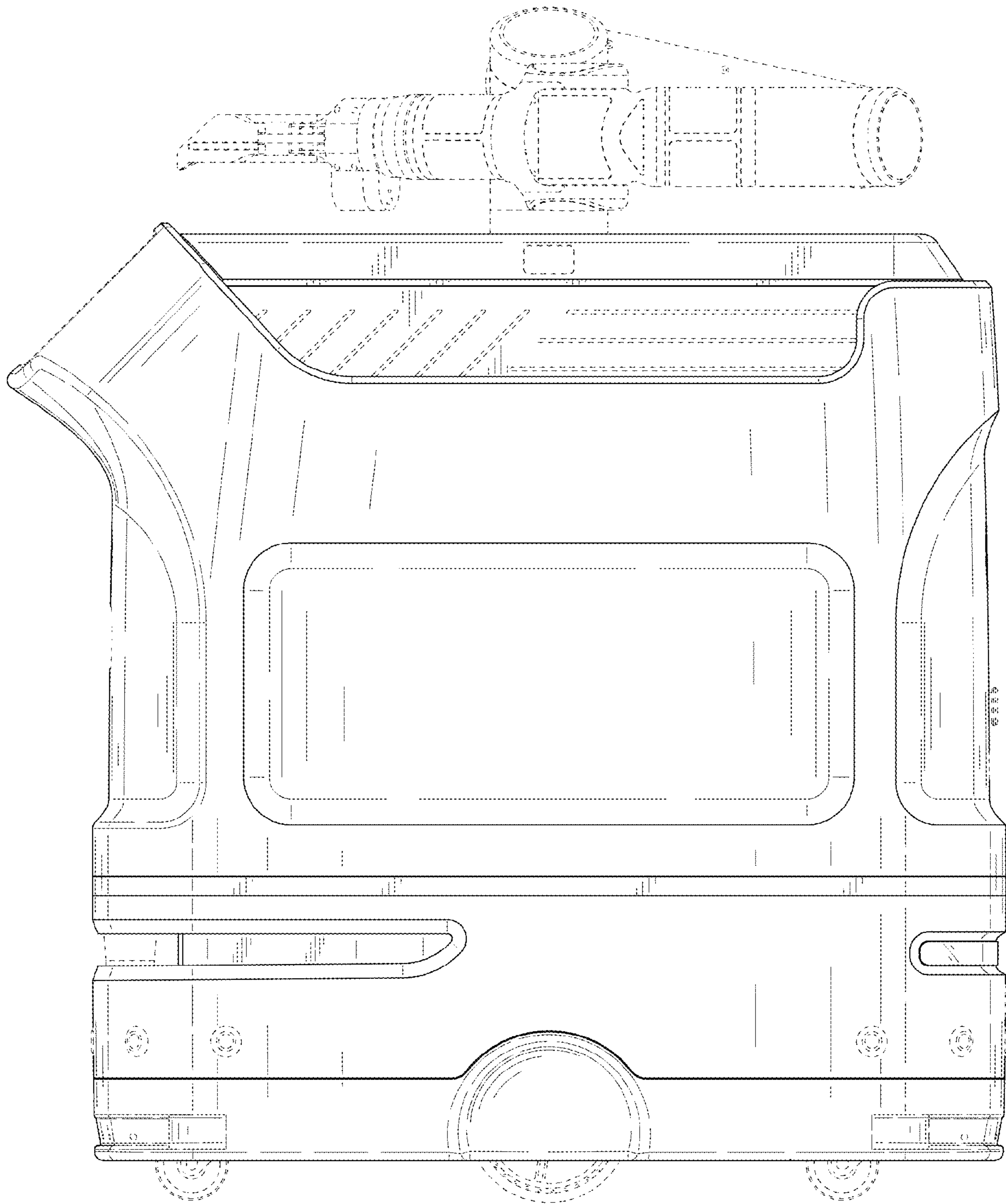


FIG. 6

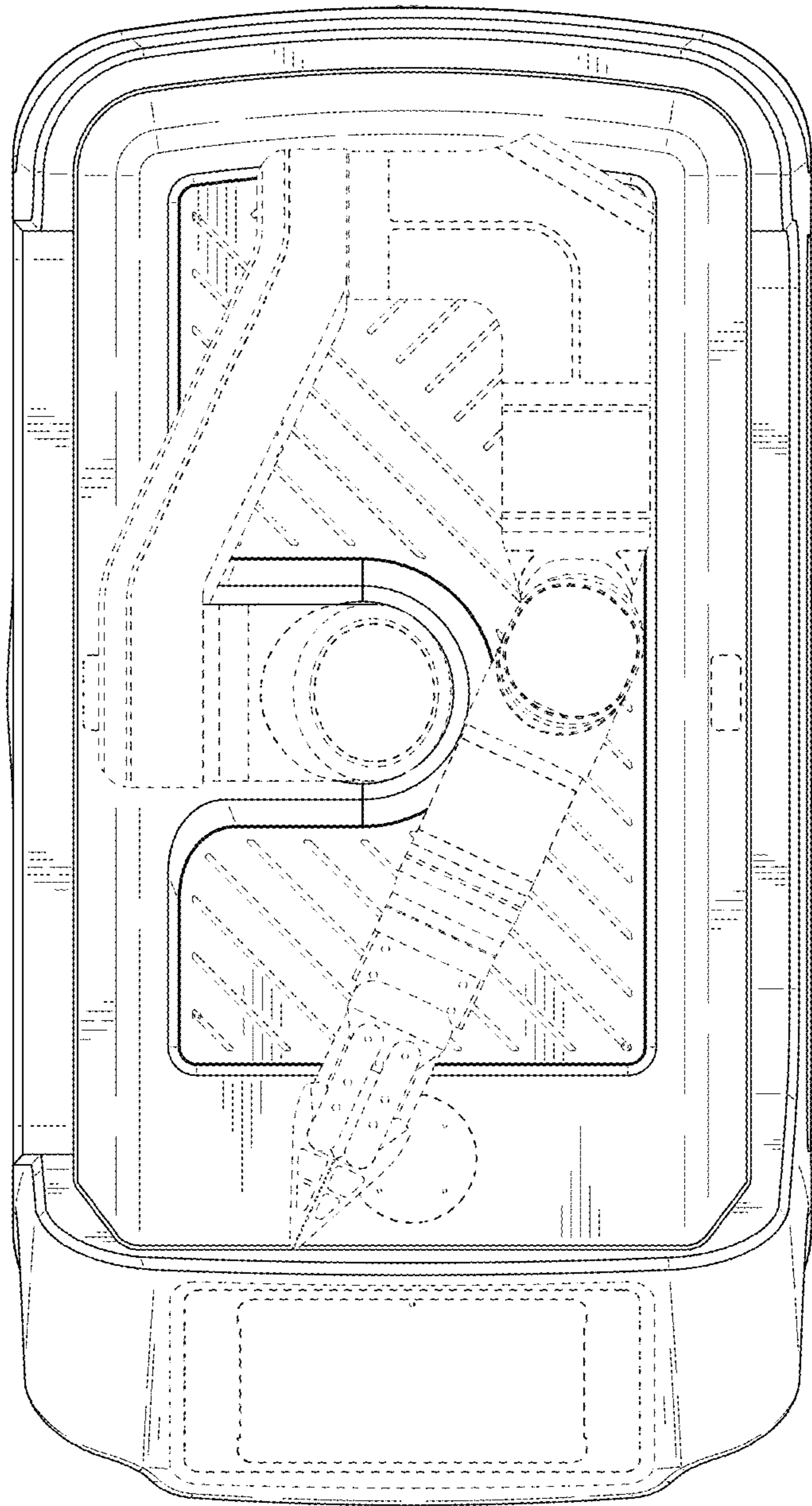


FIG. 7

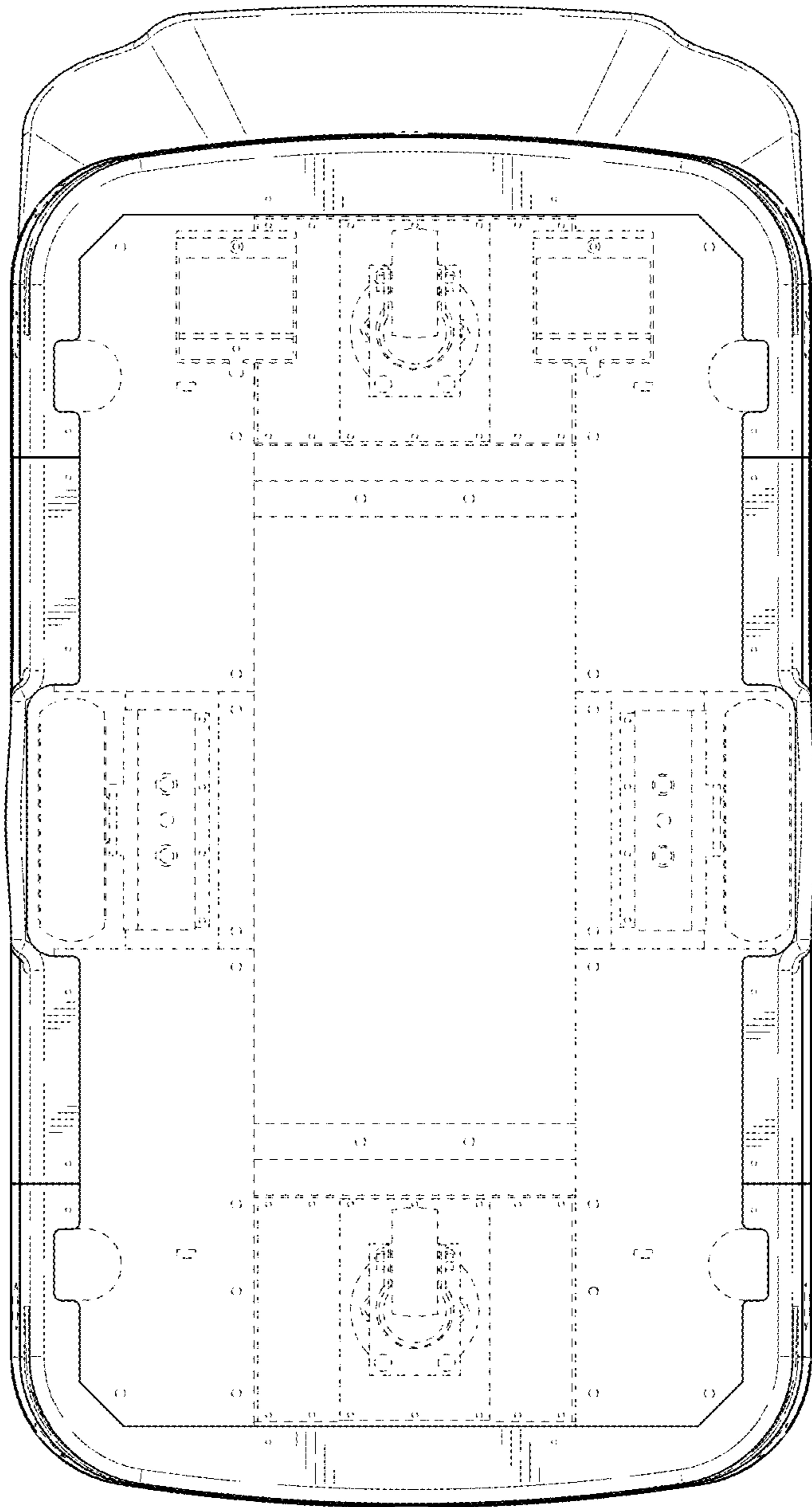


FIG. 8