



US00D963721S

(12) **United States Design Patent**
Tang et al.

(10) **Patent No.:** **US D963,721 S**

(45) **Date of Patent:** **** Sep. 13, 2022**

(54) **LOGISTIC VEHICLE**

(71) Applicant: **LINGDONG TECHNOLOGY (BEIJING) CO. LTD**, Beijing (CN)

(72) Inventors: **Jie Tang**, Beijing (CN); **Song Li**, Beijing (CN)

(73) Assignee: **LINGDONG TECHNOLOGY (BEIJING) CO. LTD**, Beijing (CN)

(**) Term: **15 Years**

(21) Appl. No.: **29/772,735**

(22) Filed: **Mar. 3, 2021**

(30) **Foreign Application Priority Data**

Sep. 15, 2020 (CN) 202030547265.X

(51) **LOC (13) Cl.** **15-99**

(52) **U.S. Cl.**
USPC **D15/199; D34/34**

(58) **Field of Classification Search**
USPC D15/199; D21/578-583, 621, 622;
D32/21; D34/34
CPC B25J 5/007; B25J 11/008; B60B 19/006;
B62D 57/024; Y10S 901/01
See application file for complete search history.

(56) **References Cited**

U.S. PATENT DOCUMENTS

4,137,984	A *	2/1979	Jennings	B62D 1/28 180/168
4,496,274	A *	1/1985	Pipes	B60L 15/2036 414/340
4,657,463	A *	4/1987	Pipes	B62D 1/24 180/167
D295,105	S *	4/1988	Dawson	D34/18
5,658,120	A *	8/1997	Watanabe	B23Q 7/1436 414/495
D468,884	S *	1/2003	Ito	D34/12

D712,447	S *	9/2014	He	D15/199
D735,258	S *	7/2015	Jang	D15/199
D743,647	S *	11/2015	Heck	D32/21
D745,144	S *	12/2015	Aylmer	D24/128
D759,623	S *	6/2016	Dahlberg	D10/30
9,854,203	B2 *	12/2017	Benetti	A61G 5/04
D810,799	S *	2/2018	Sokuza	D15/199
D812,663	S *	3/2018	Waters	D15/199
D819,711	S *	6/2018	Li	D15/199
D822,736	S *	7/2018	Kato	D15/199
D837,852	S *	1/2019	Nilsson	D15/199
D837,855	S *	1/2019	Chen	D15/199
D839,331	S *	1/2019	Nilsson	D15/199
D841,067	S *	2/2019	Camporesi	D15/199
D841,711	S *	2/2019	Liu	D15/199
D843,428	S *	3/2019	Gee	D15/199
D849,813	S *	5/2019	Sutherland	D15/199
D856,389	S *	8/2019	Gayne	D15/199

(Continued)

Primary Examiner — Patricia A Palasik

(74) *Attorney, Agent, or Firm* — NZ Carr Law Office PLLC

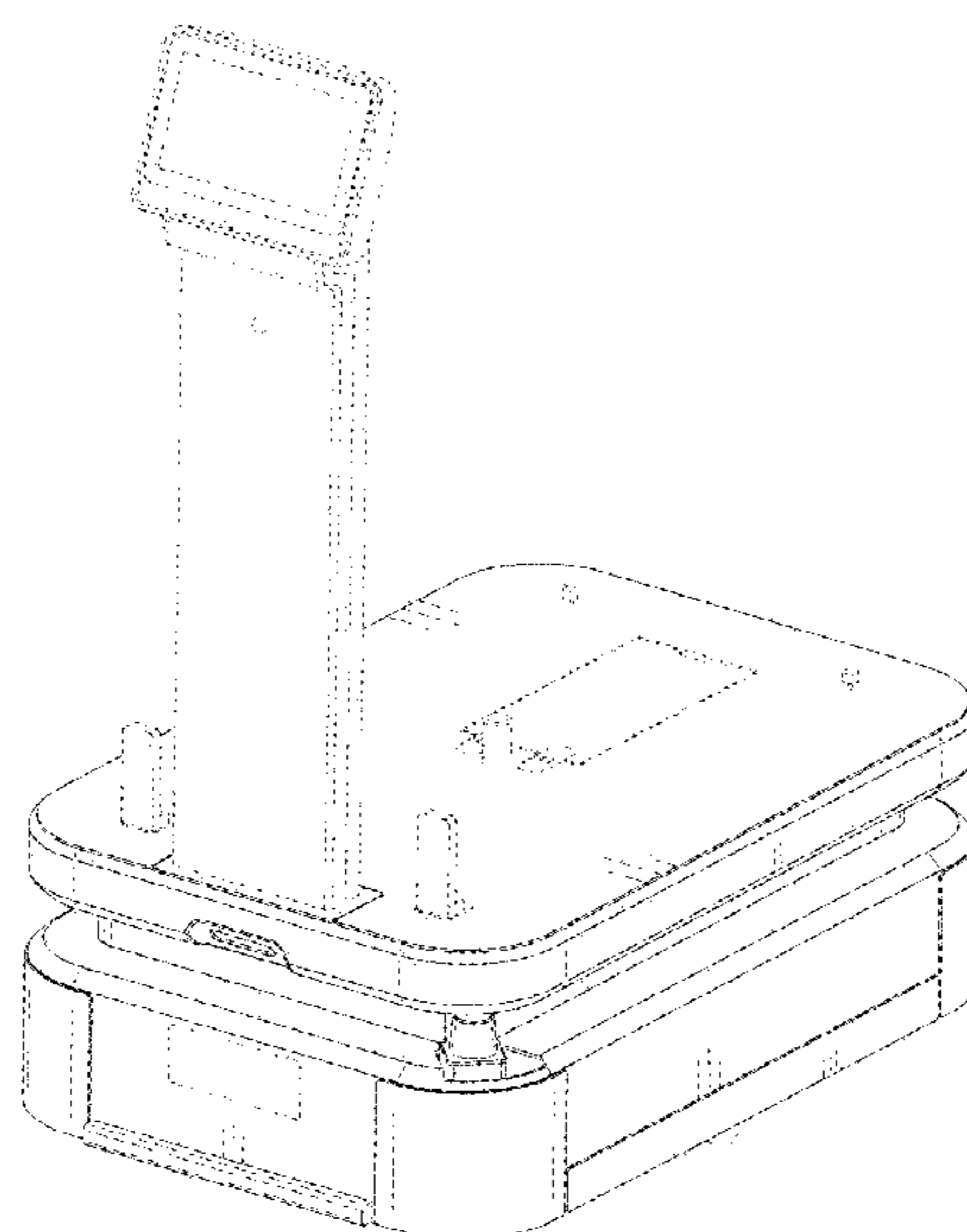
(57) **CLAIM**

The ornamental design for a logistic vehicle, as shown and described.

DESCRIPTION

FIG. 1 is a top, front, right side perspective view of a logistic vehicle showing our new design;
FIG. 2 is a top, rear, left side perspective view thereof;
FIG. 3 is a front elevation view thereof;
FIG. 4 is a rear elevation view thereof;
FIG. 5 is a left side elevation view thereof;
FIG. 6 is a right side elevation view thereof;
FIG. 7 is a top plan view thereof; and,
FIG. 8 is a bottom plan view thereof.
The broken lines depict portions of the logistic vehicle that form no part of the claimed design.

1 Claim, 8 Drawing Sheets



(56)

References Cited

U.S. PATENT DOCUMENTS

D857,073 S * 8/2019 Gayne D15/199
D871,475 S * 12/2019 Kolb D15/199
D871,476 S * 12/2019 Kolb D15/199
D876,278 S * 2/2020 Sokuza D12/16.1
D888,790 S * 6/2020 Yao D15/199
D888,791 S * 6/2020 Wu D15/199
D909,441 S * 2/2021 Zhao D15/199
D909,442 S * 2/2021 Zhao D15/199
2009/0035181 A1* 2/2009 Chung A61B 5/00
422/68.1
2011/0135189 A1* 6/2011 Lee B25J 9/1682
382/153
2014/0074287 A1* 3/2014 LaFary B25J 9/1676
700/253
2015/0088359 A1* 3/2015 Choi G05D 1/0225
701/23

* cited by examiner

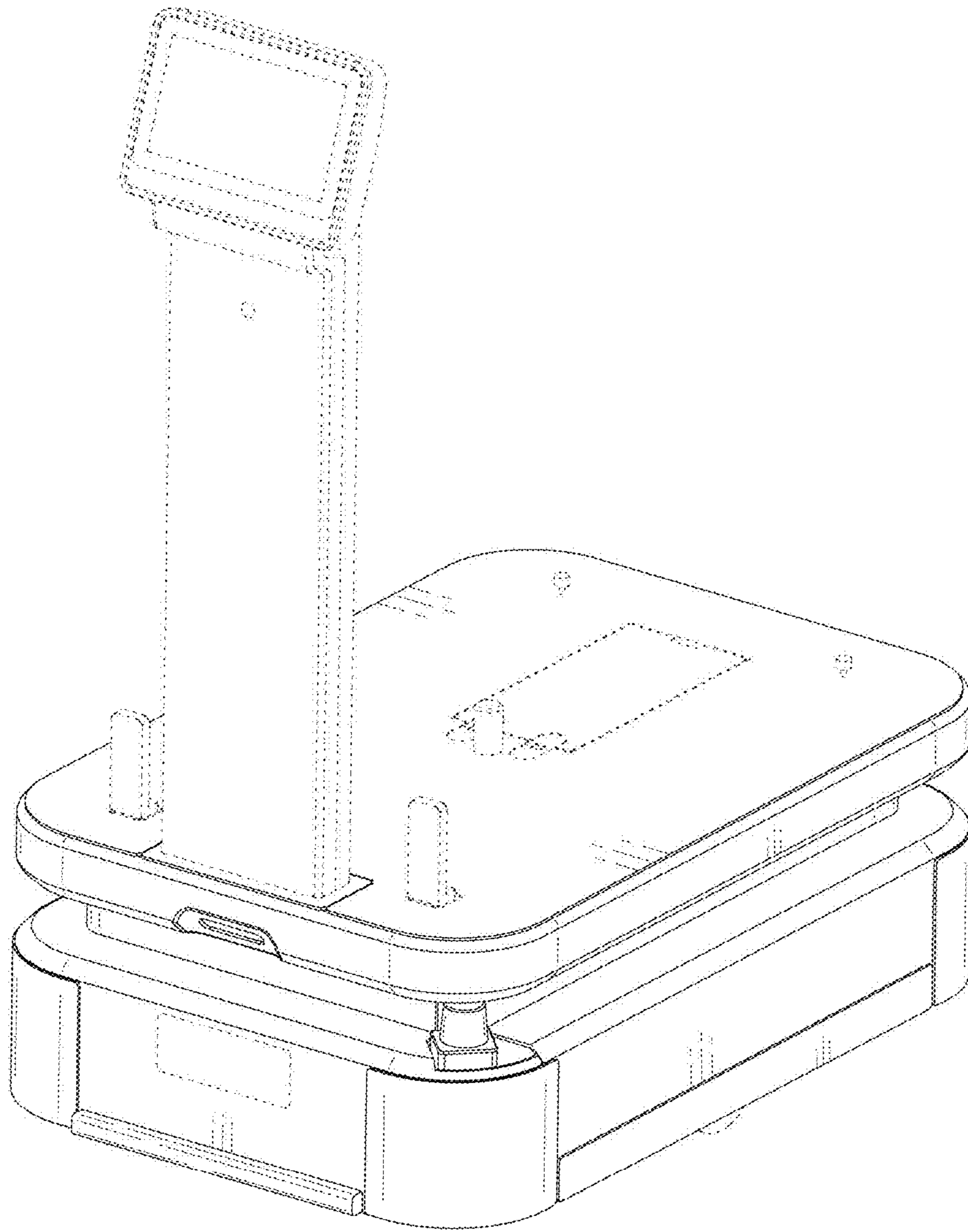


FIG. 1

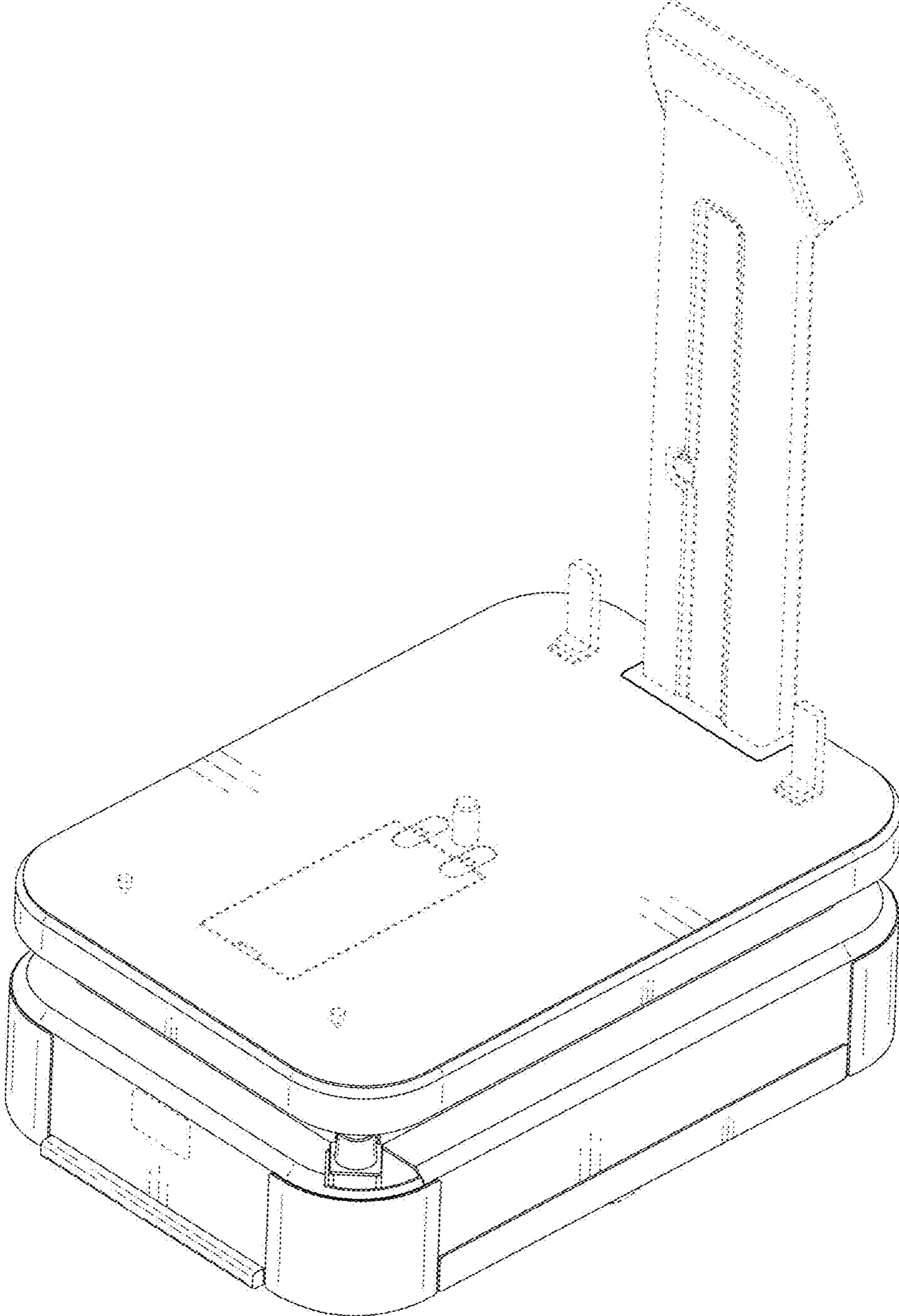


FIG. 2

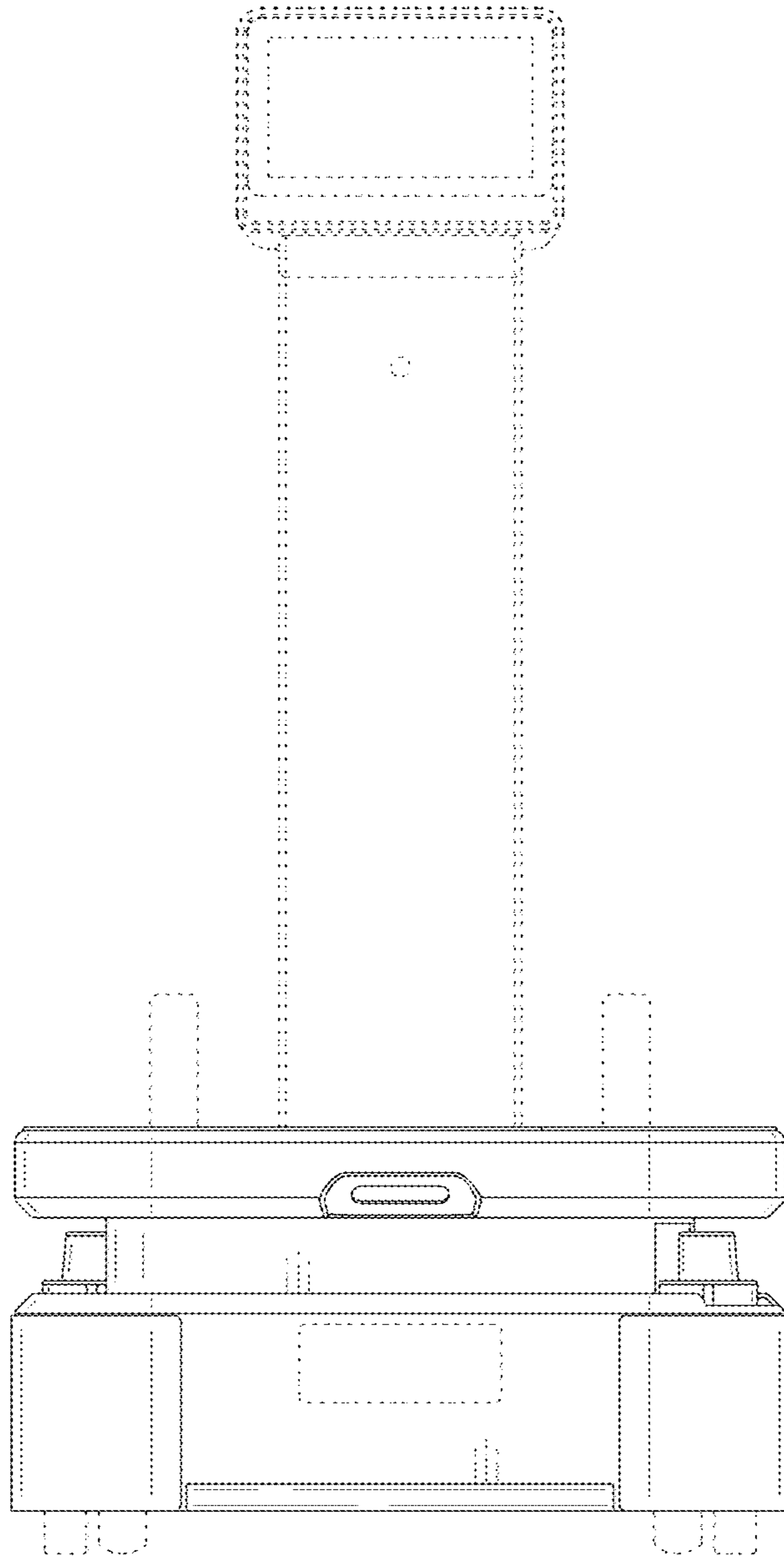


FIG. 3

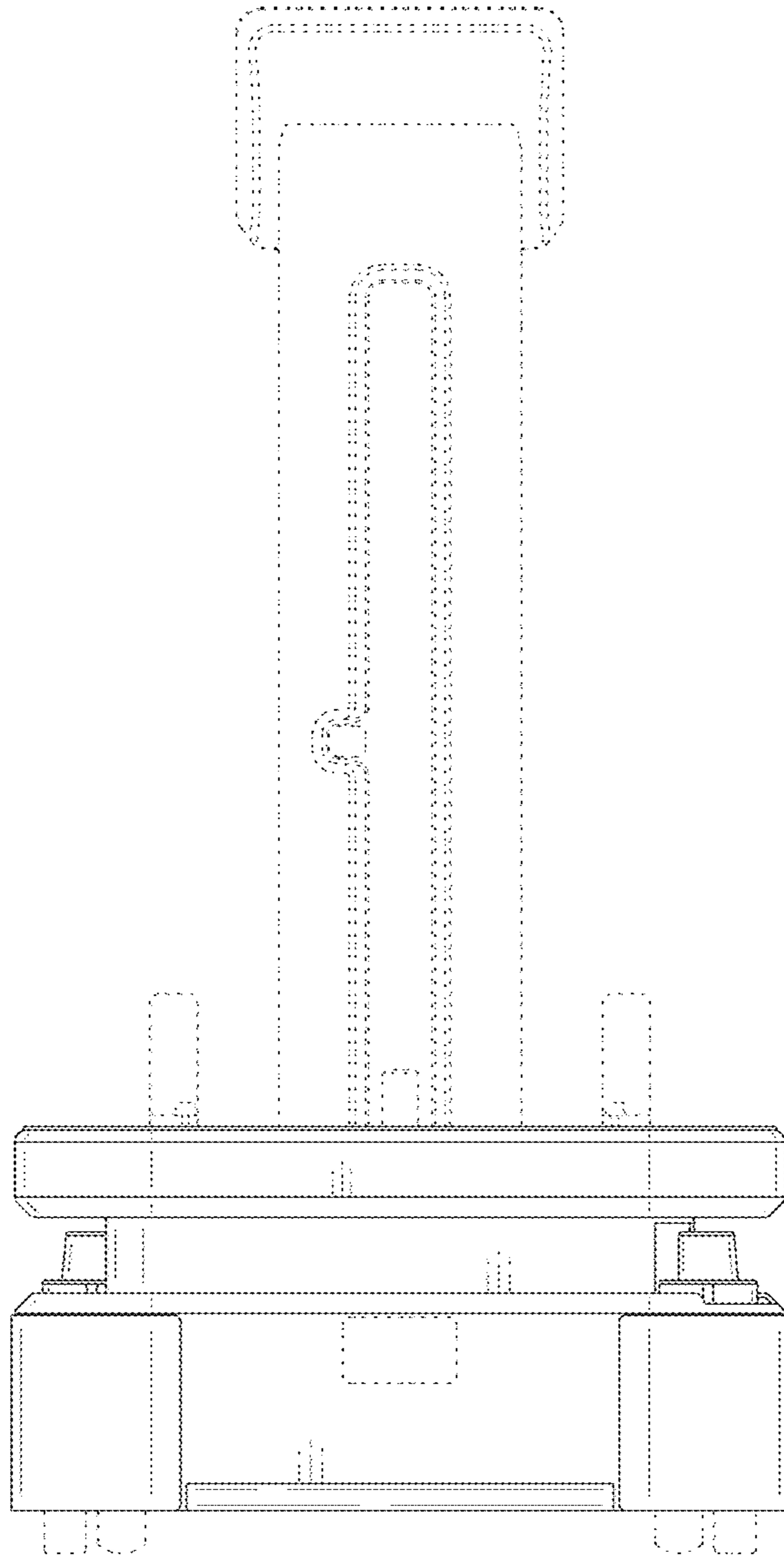


FIG. 4

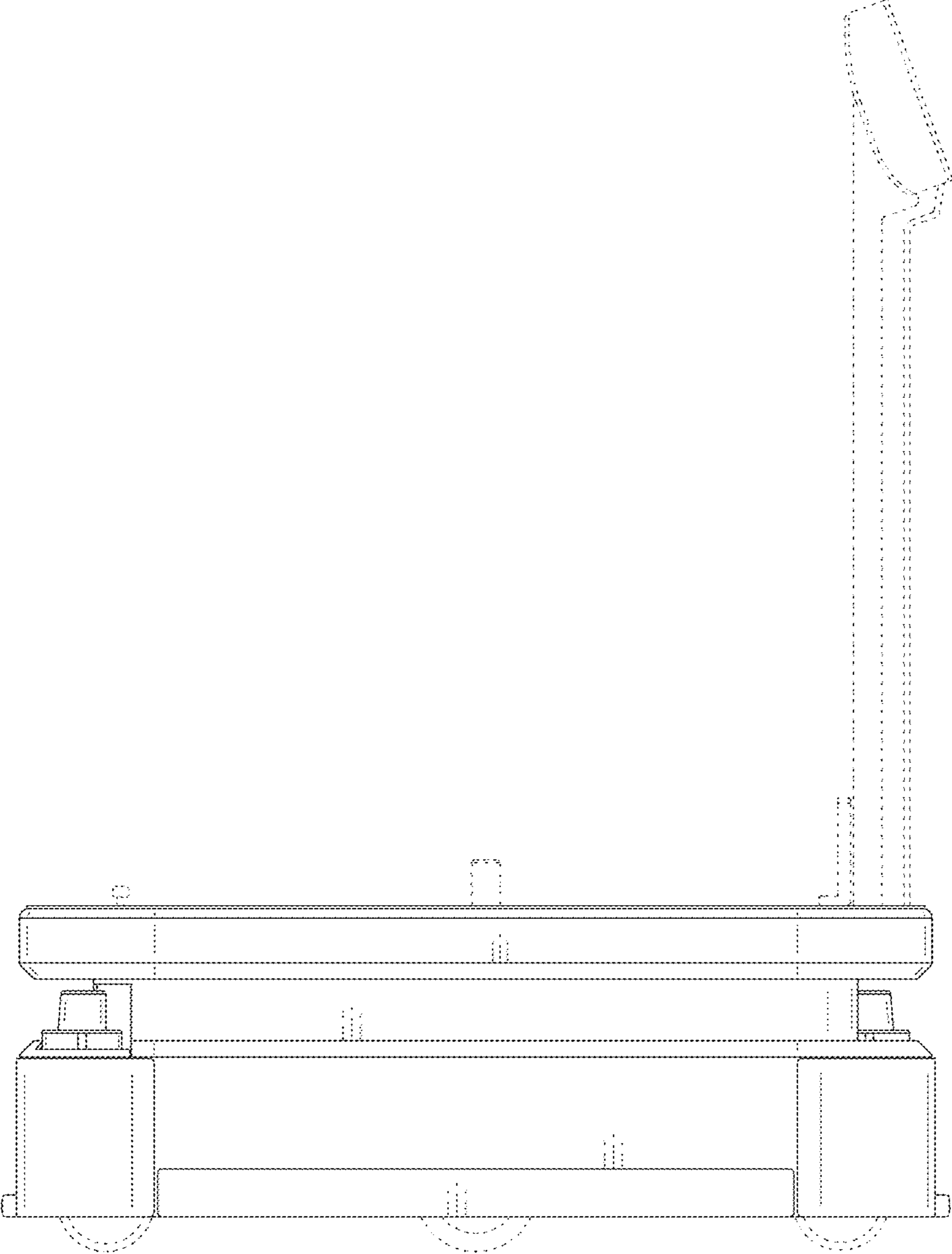


FIG. 5

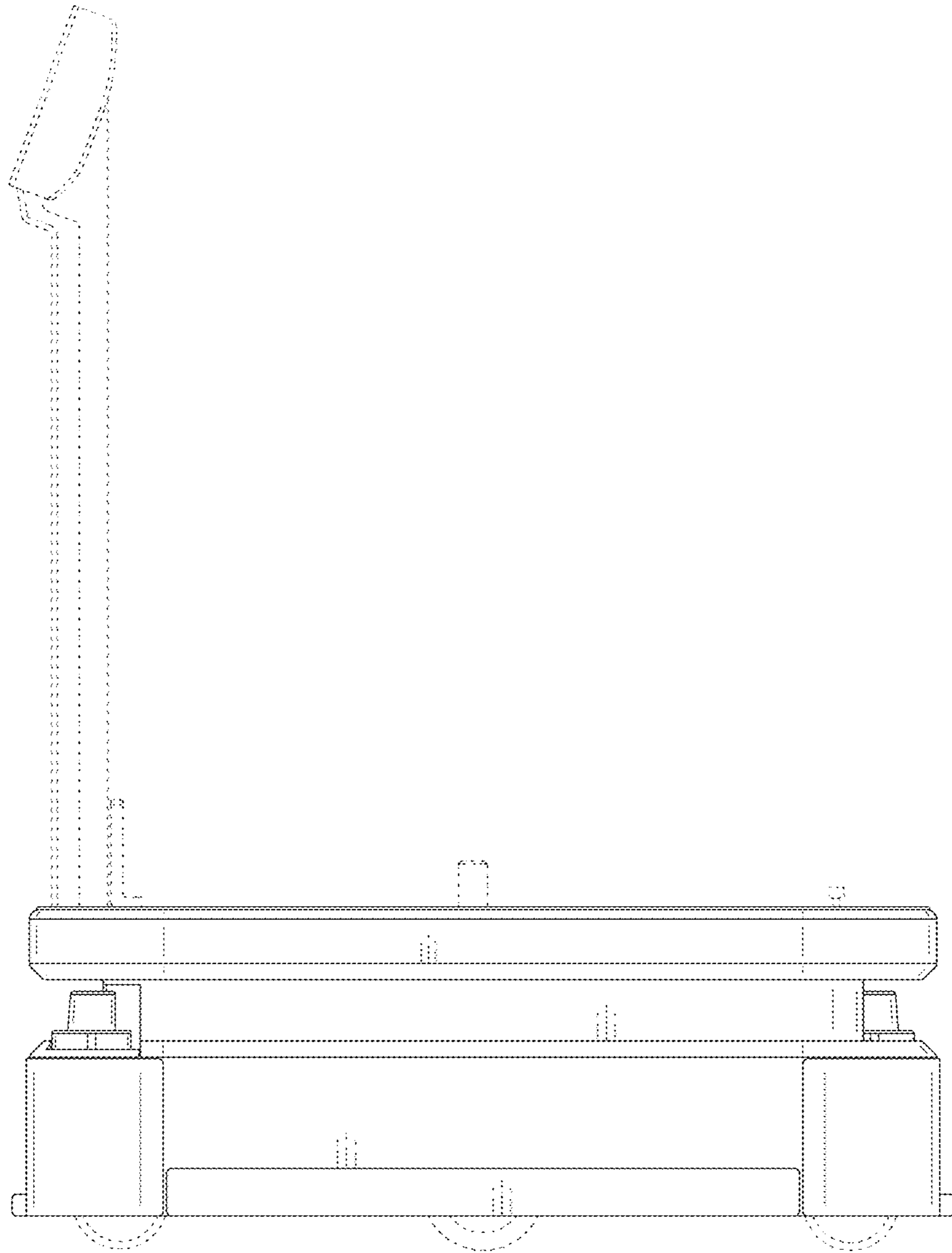


FIG. 6

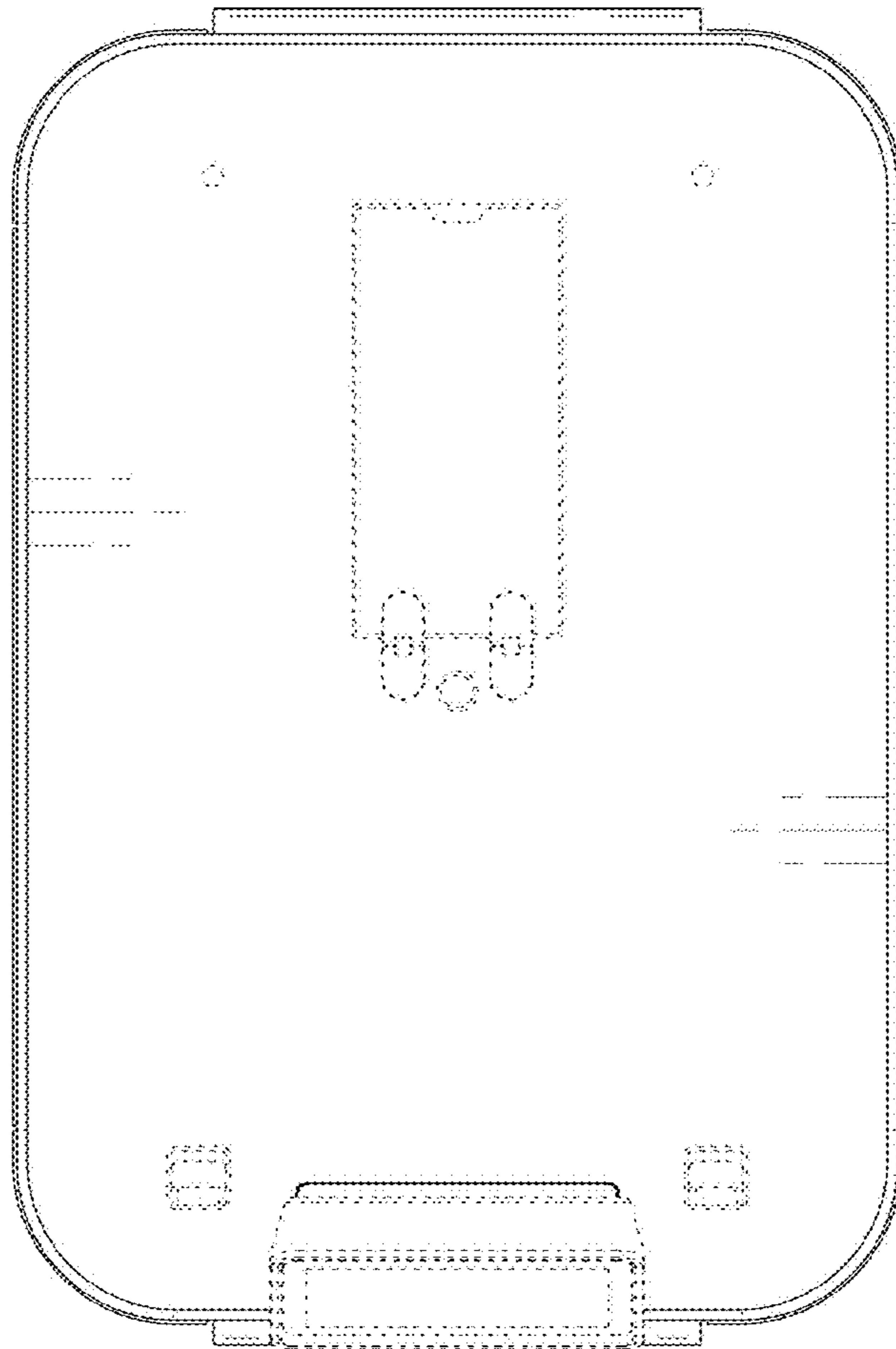


FIG. 7

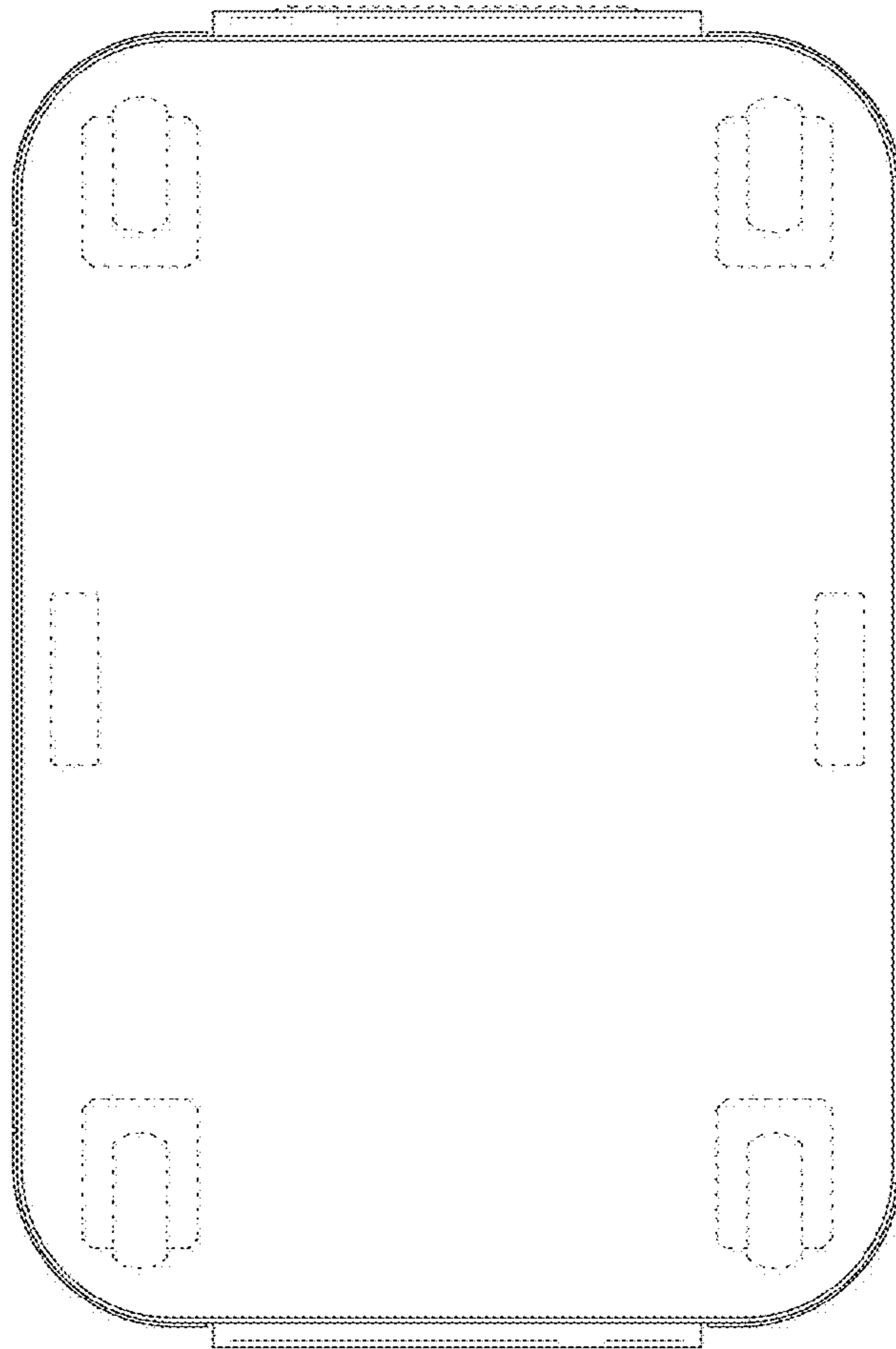


FIG. 8