



US00D963720S

(12) **United States Design Patent**  
**Tang et al.**

(10) **Patent No.:** **US D963,720 S**  
(45) **Date of Patent:** **\*\* Sep. 13, 2022**

(54) **LOGISTIC VEHICLE**  
(71) Applicant: **LINGDONG TECHNOLOGY**  
**(BEIJING) CO. LTD**, Beijing (CN)  
(72) Inventors: **Jie Tang**, Beijing (CN); **Song Li**,  
Beijing (CN)  
(73) Assignee: **LINGDONG TECHNOLOGY**  
**(BEIJING) CO.LTD**, Beijing (CN)

D712,447 S \* 9/2014 He ..... D15/199  
D735,258 S \* 7/2015 Jang ..... D15/199  
D743,647 S \* 11/2015 Heck ..... D32/21  
D745,144 S \* 12/2015 Aylmer ..... D24/128  
D759,623 S \* 6/2016 Dahlberg ..... D10/30  
9,854,203 B2 \* 12/2017 Benetti ..... A61G 5/04  
D810,799 S \* 2/2018 Sokuza ..... D15/199

(Continued)

*Primary Examiner* — Patricia A Palasik  
(74) *Attorney, Agent, or Firm* — NZ Carr Law Office  
PLLC

(\*\*) Term: **15 Years**  
(21) Appl. No.: **29/772,597**  
(22) Filed: **Mar. 3, 2021**

(57) **CLAIM**

The ornamental design for a logistic vehicle, as shown and described.

(30) **Foreign Application Priority Data**

Sep. 15, 2020 (CN) ..... 202030547265.X

(51) **LOC (13) Cl.** ..... **15-09**  
(52) **U.S. Cl.**  
USPC ..... **D15/199**; D34/34  
(58) **Field of Classification Search**  
USPC ..... D15/199; D21/578–583, 621, 622;  
D32/21; D34/34  
CPC ..... B25J 5/007; B25J 11/008; B60B 19/006;  
B62D 57/024; Y10S 901/01  
See application file for complete search history.

**DESCRIPTION**

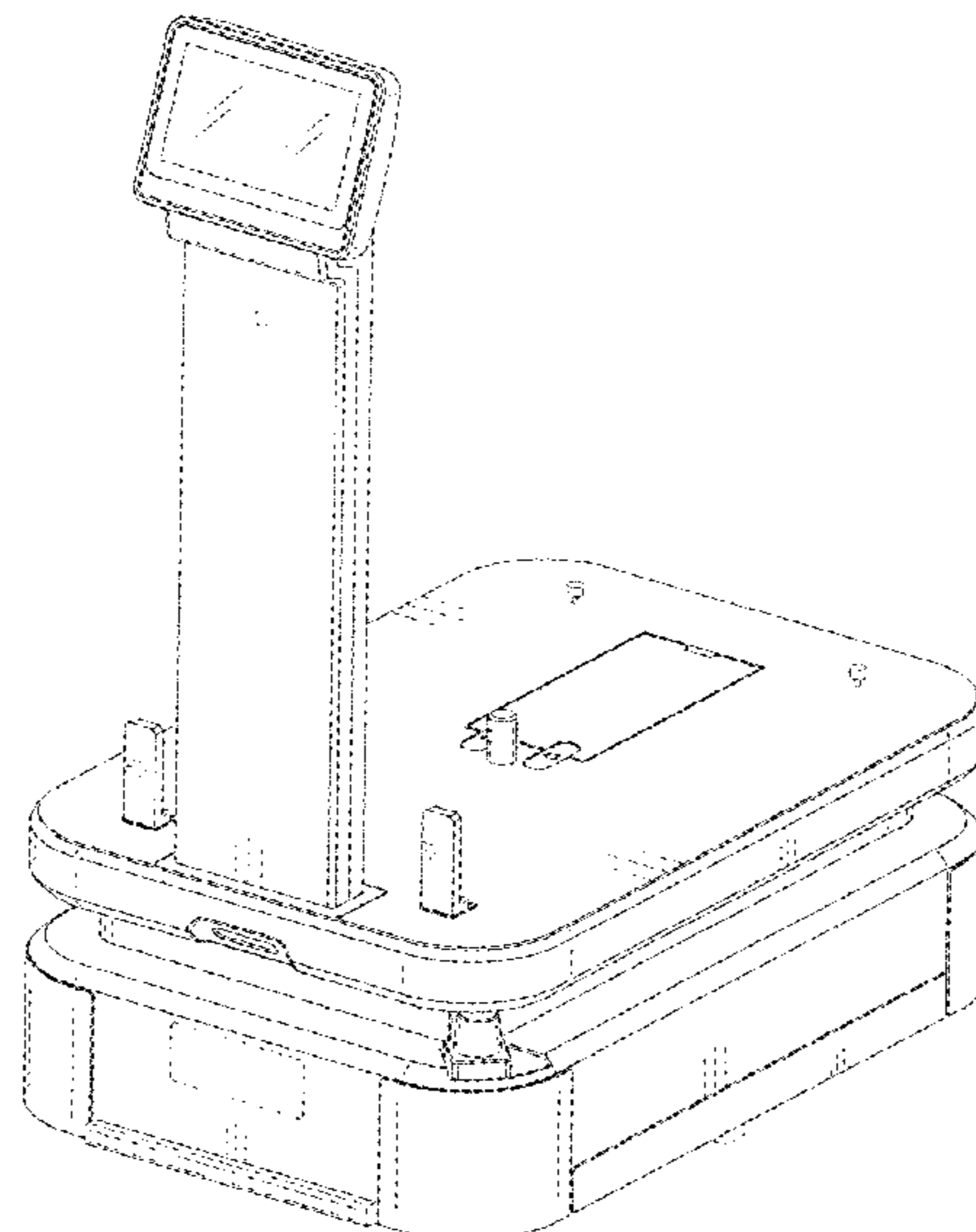
FIG. 1 is a top, front, right side perspective view of a first embodiment of a logistic vehicle showing our new design; FIG. 2 is a top, rear, left side perspective view thereof; FIG. 3 is a front elevation view thereof; FIG. 4 is a rear elevation view thereof; FIG. 5 is a left side elevation view thereof; FIG. 6 is a right side elevation view thereof; FIG. 7 is a top plan view thereof; FIG. 8 is a bottom plan view thereof; FIG. 9 is a top, front, right side perspective view of a second embodiment of the logistic vehicle showing our new design; FIG. 10 is a top, rear, left side perspective view thereof; FIG. 11 is a front elevation view thereof; FIG. 12 is a rear elevation view thereof; FIG. 13 is a left side elevation view thereof; FIG. 14 is a right side elevation view thereof; FIG. 15 is a top plan view thereof; and, FIG. 16 is a bottom plan view thereof. The broken lines in the drawings depict portions of the logistic vehicle that form no part of the claimed design.

(56) **References Cited**

U.S. PATENT DOCUMENTS

4,137,984 A \* 2/1979 Jennings ..... B62D 1/28  
180/168  
4,496,274 A \* 1/1985 Pipes ..... B60L 15/2036  
414/340  
4,657,463 A \* 4/1987 Pipes ..... B62D 1/24  
180/167  
D295,105 S \* 4/1988 Dawson ..... D34/18  
5,658,120 A \* 8/1997 Watanabe ..... B23Q 7/1436  
414/495  
D468,884 S \* 1/2003 Ito ..... D34/12

**1 Claim, 16 Drawing Sheets**



(56)

References Cited

U.S. PATENT DOCUMENTS

D812,663	S *	3/2018	Waters	.....	D15/199
D819,711	S *	6/2018	Li	.....	D15/199
D822,736	S *	7/2018	Kato	.....	D15/199
D837,852	S *	1/2019	Nilsson	.....	D15/199
D837,855	S *	1/2019	Chen	.....	D15/199
D839,331	S *	1/2019	Nilsson	.....	D15/199
D841,067	S *	2/2019	Camporesi	.....	D15/199
D841,711	S *	2/2019	Liu	.....	D15/199
D843,428	S *	3/2019	Gee	.....	D15/199
D849,813	S *	5/2019	Sutherland	.....	D15/199
D856,389	S *	8/2019	Gayne	.....	D15/199
D857,073	S *	8/2019	Gayne	.....	D15/199
D871,475	S *	12/2019	Kolb	.....	D15/199
D871,476	S *	12/2019	Kolb	.....	D15/199
D876,278	S *	2/2020	Sokuza	.....	D12/16.1
D888,790	S *	6/2020	Yao	.....	D15/199
D888,791	S *	6/2020	Wu	.....	D15/199
D909,441	S *	2/2021	Zhao	.....	D15/199
D909,442	S *	2/2021	Zhao	.....	D15/199
2009/0035181	A1 *	2/2009	Chung	.....	A61B 5/00 422/68.1
2011/0135189	A1 *	6/2011	Lee	.....	B25J 9/1682 382/153
2014/0074287	A1 *	3/2014	LaFary	.....	B25J 9/1676 700/253
2015/0088359	A1 *	3/2015	Choi	.....	G05D 1/0225 701/23

\* cited by examiner

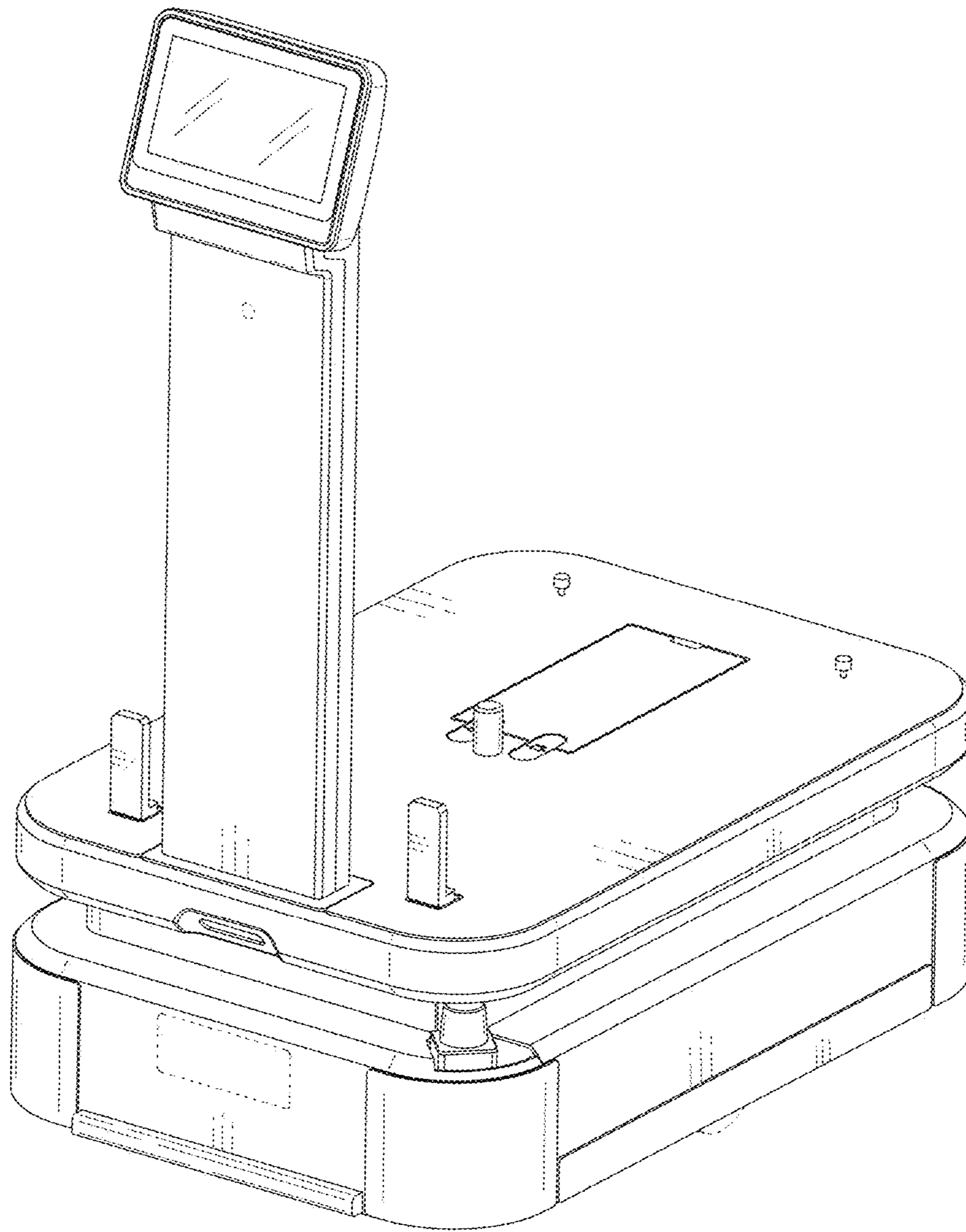


FIG. 1

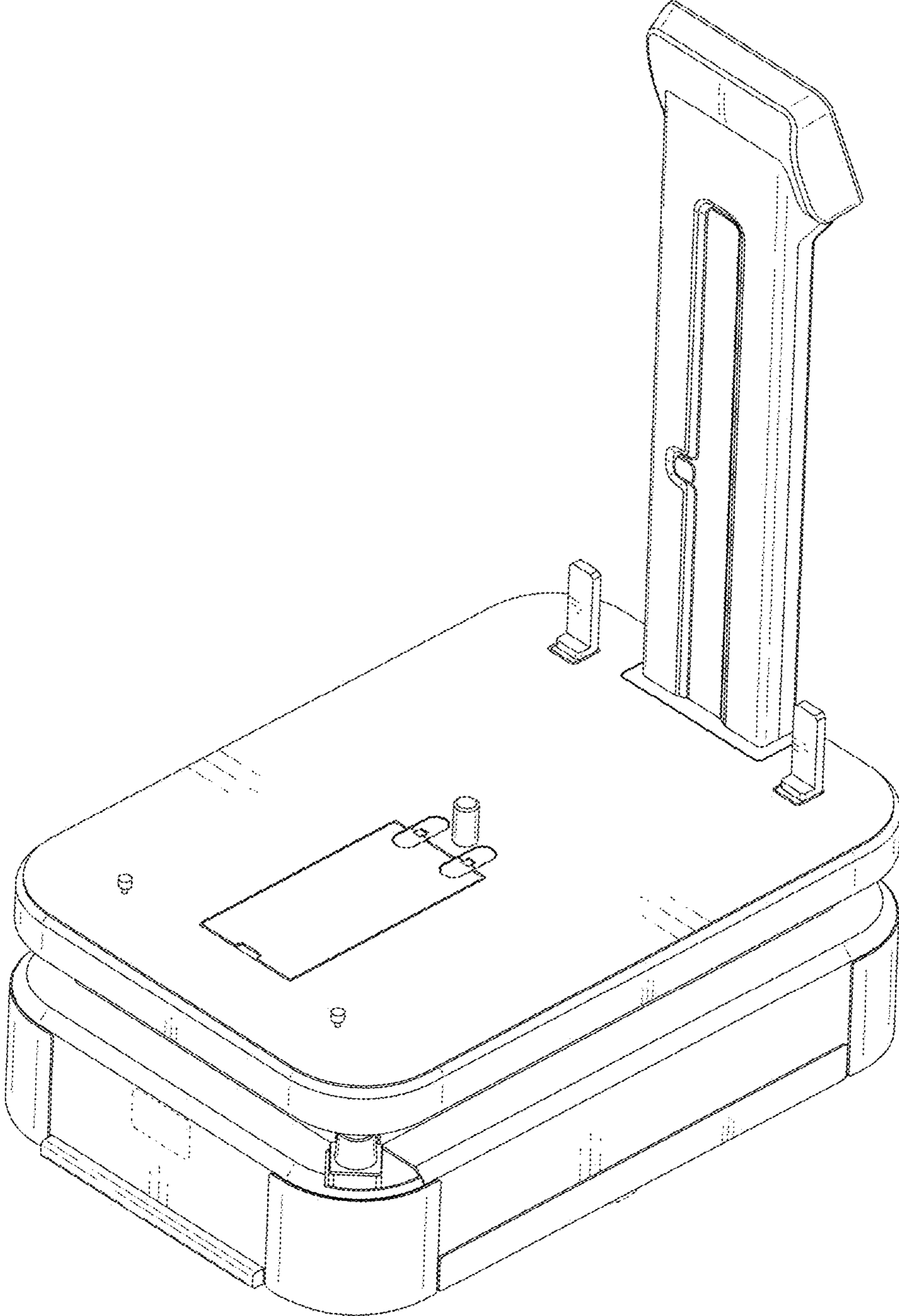


FIG. 2

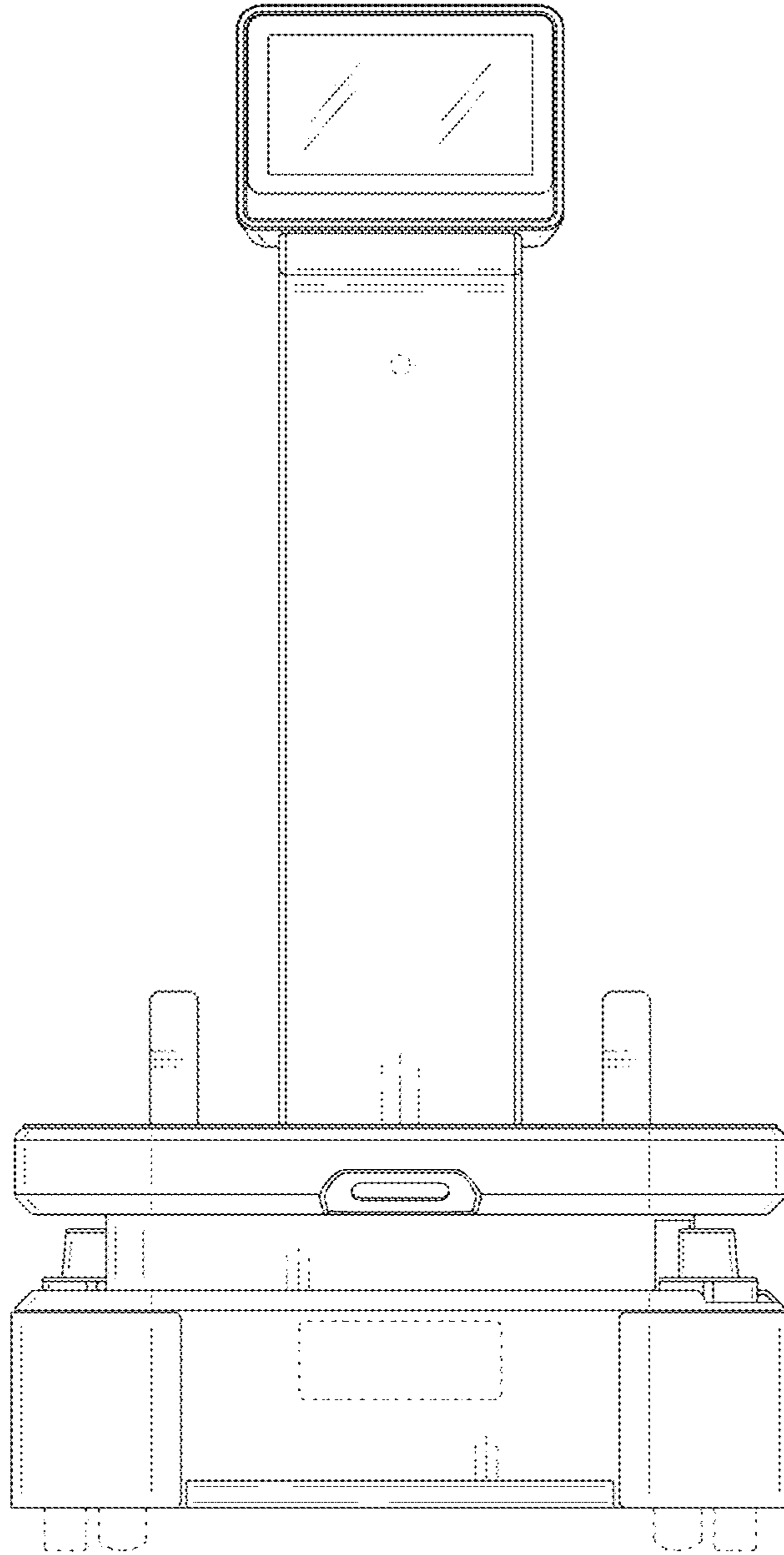


FIG. 3

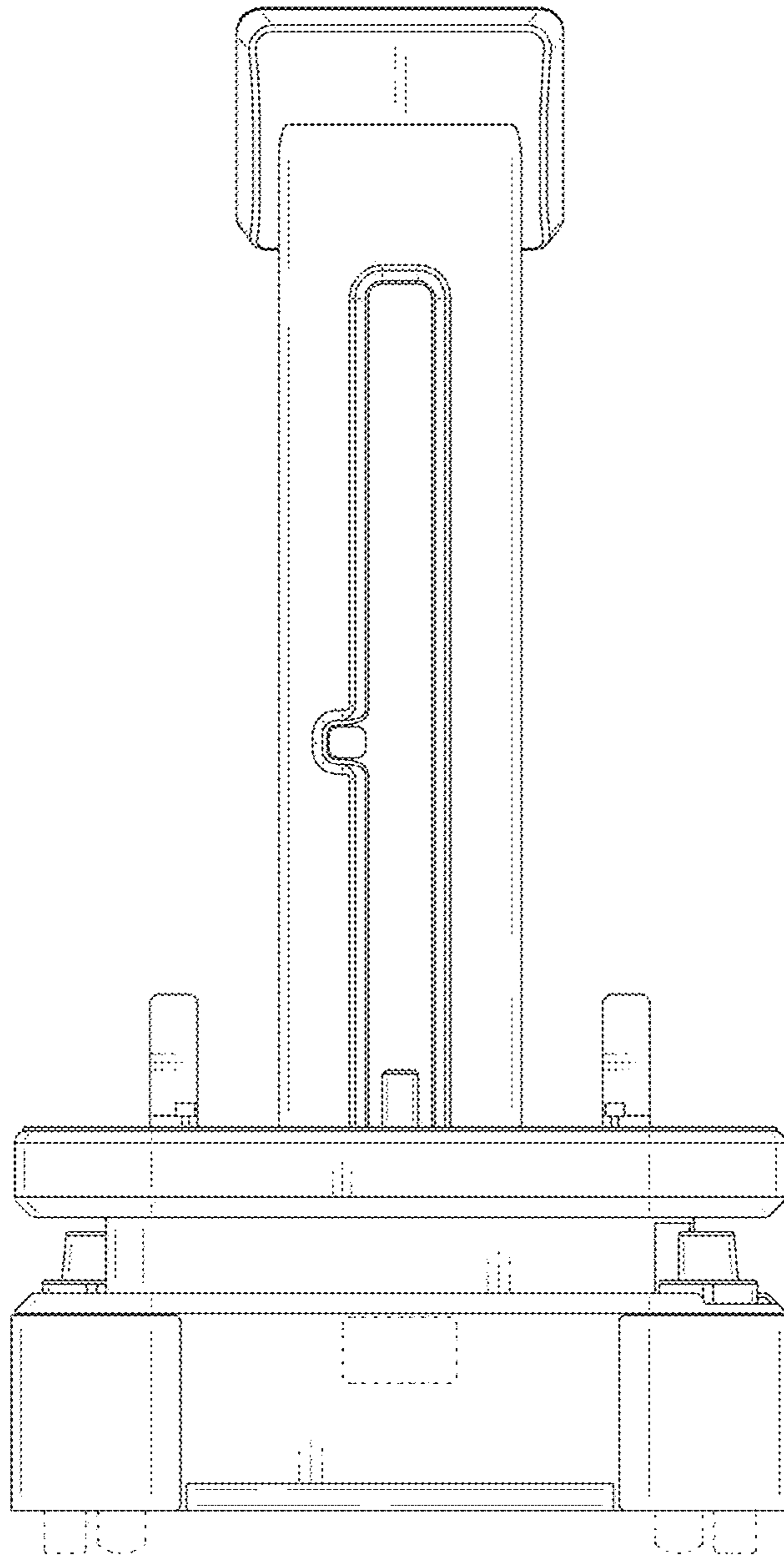


FIG. 4

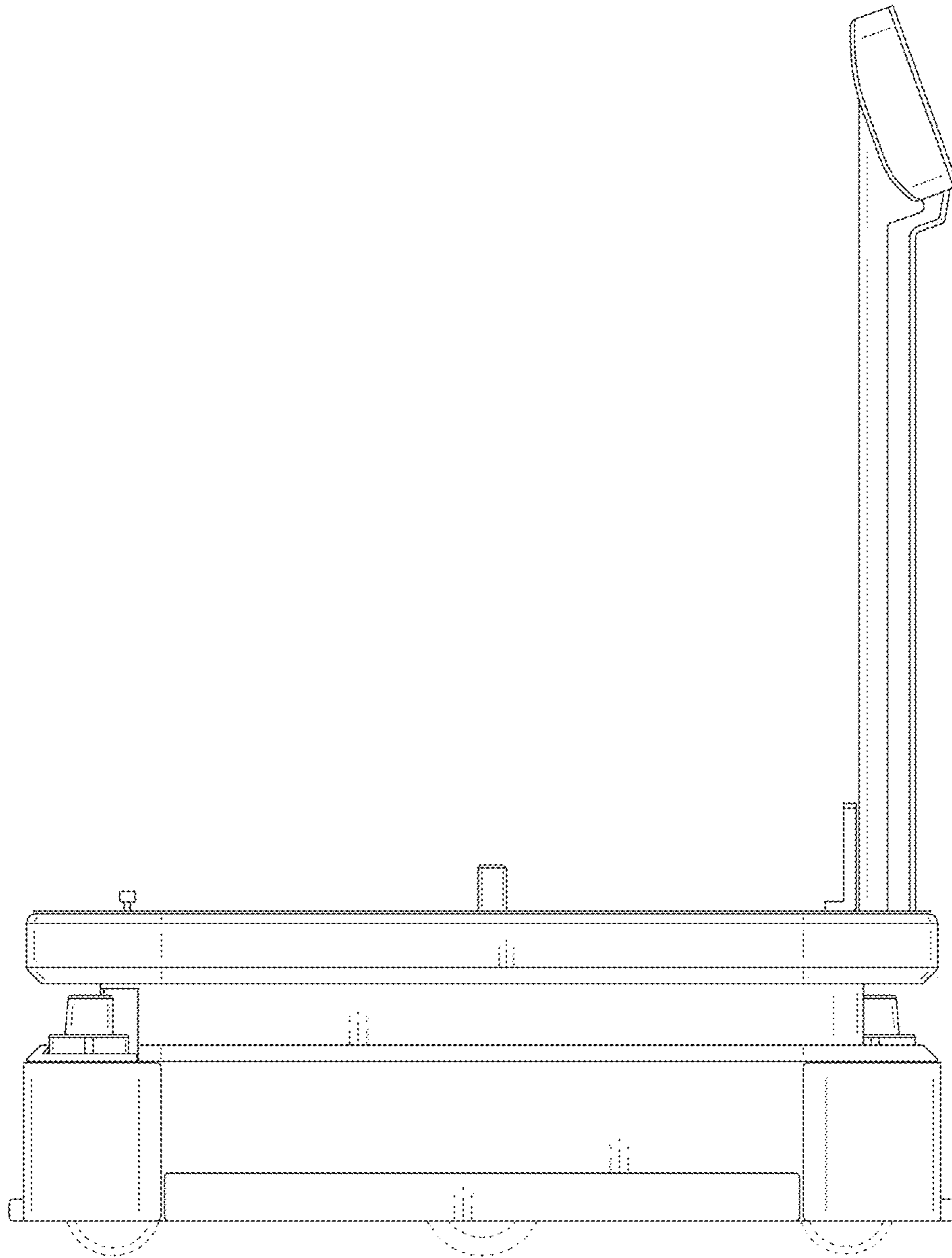


FIG. 5

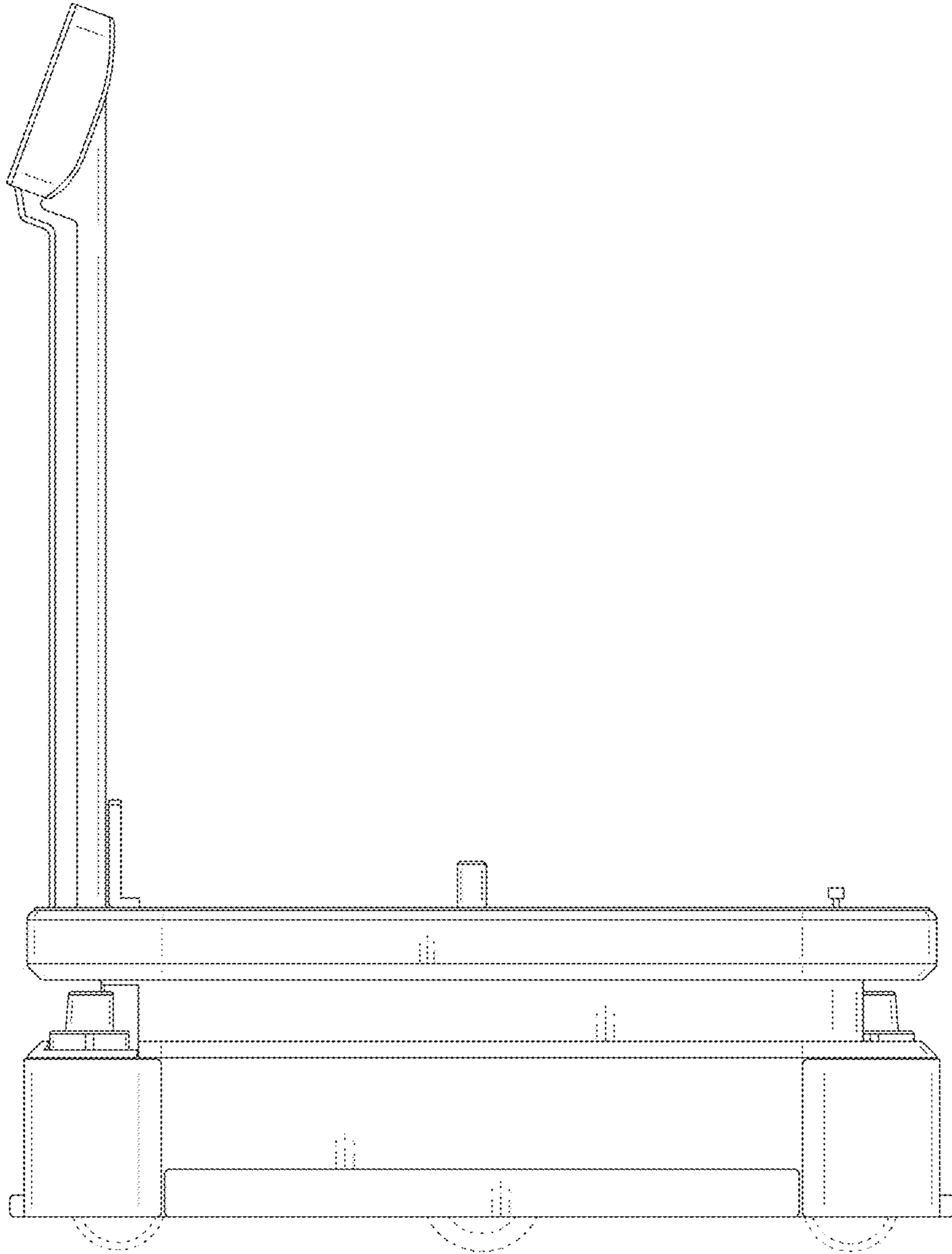


FIG. 6



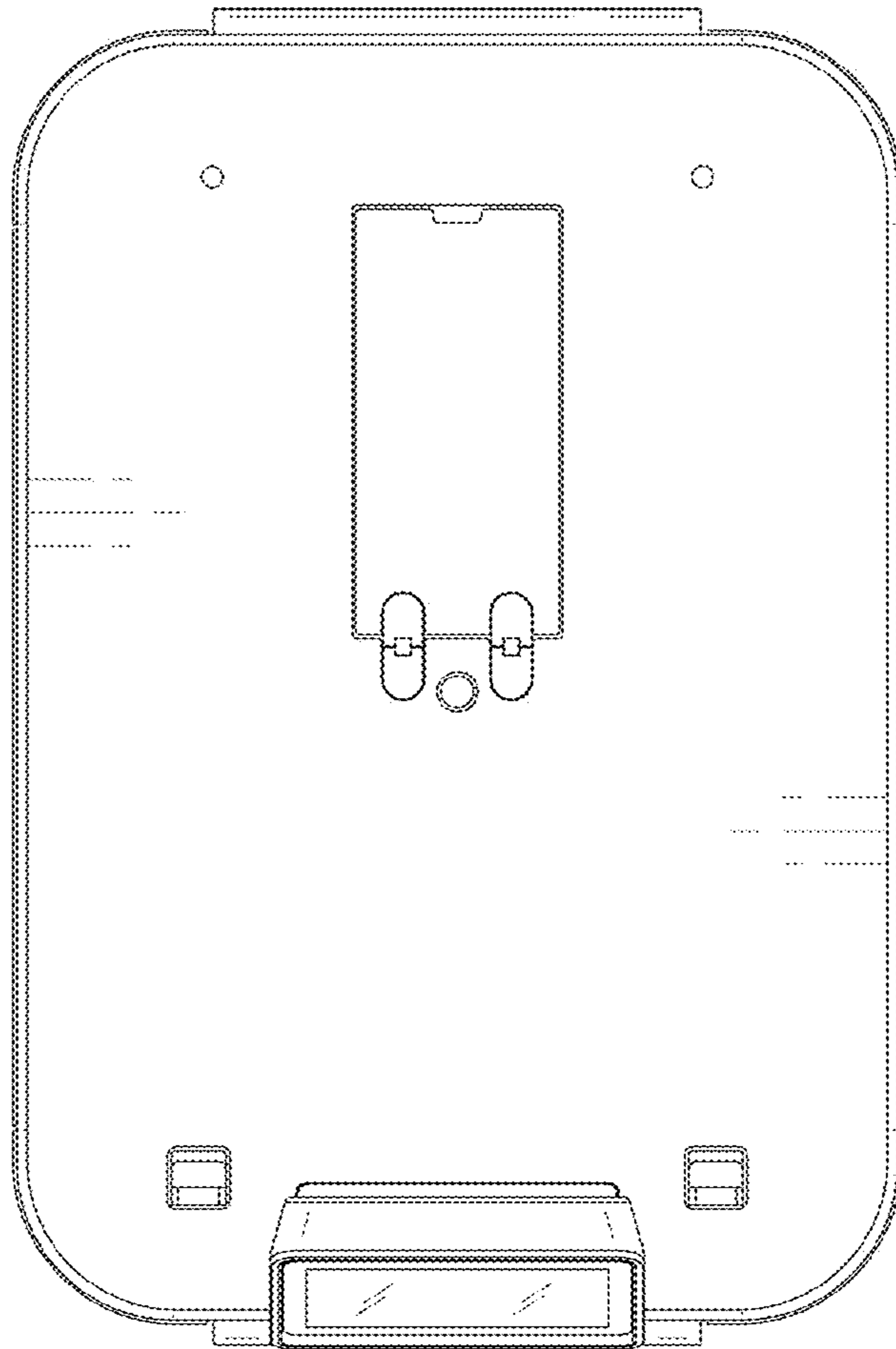


FIG. 7

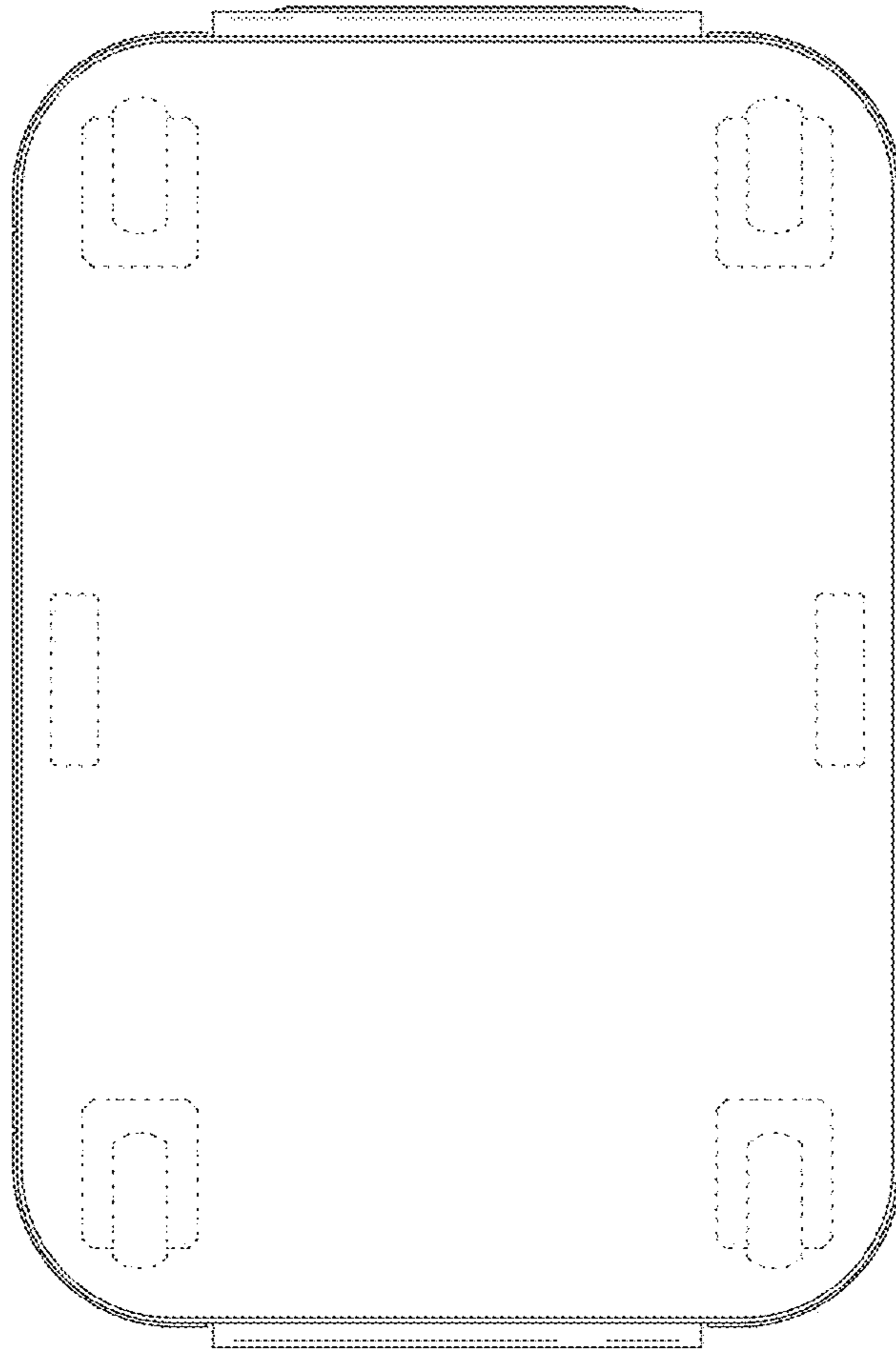


FIG. 8

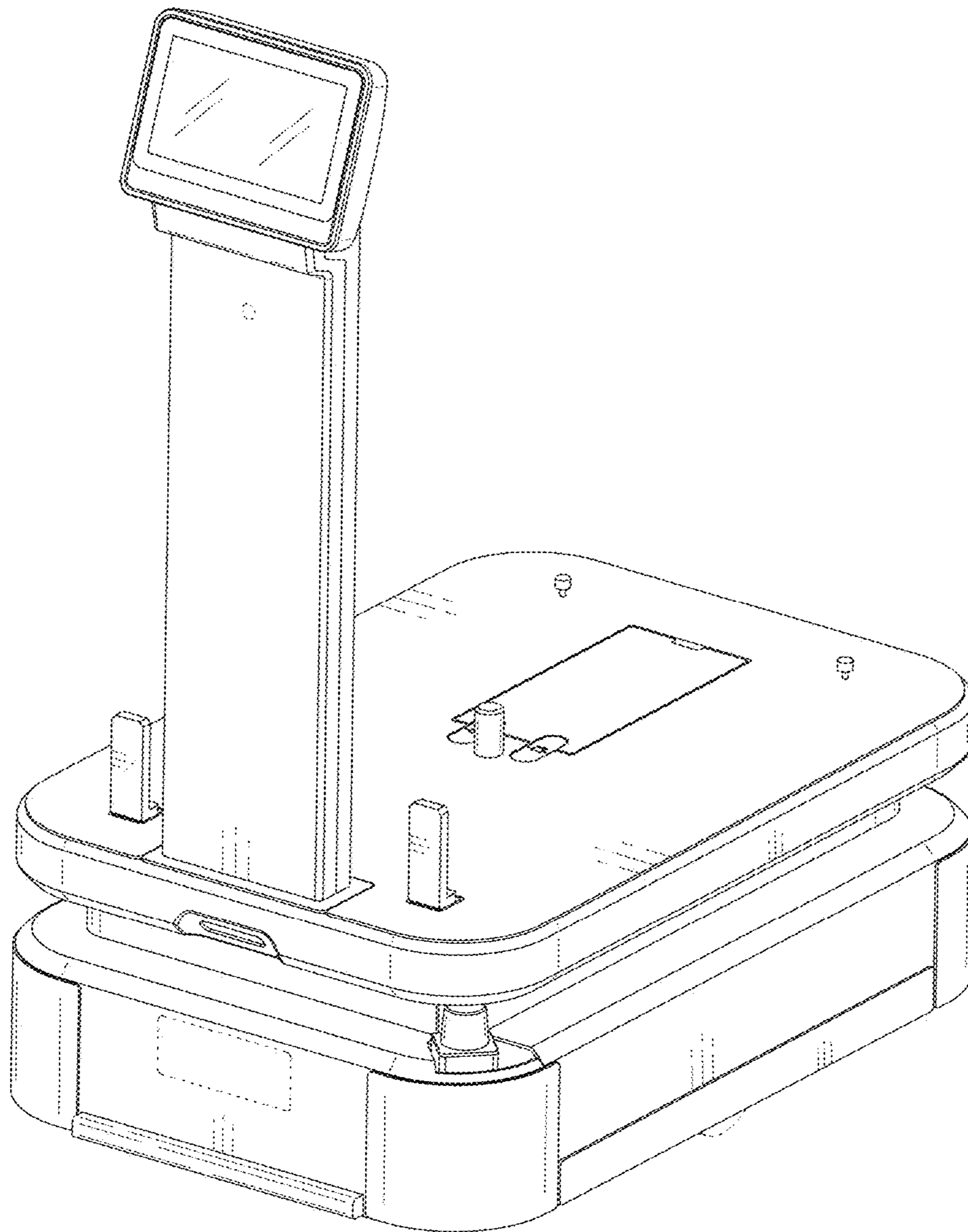


FIG. 9

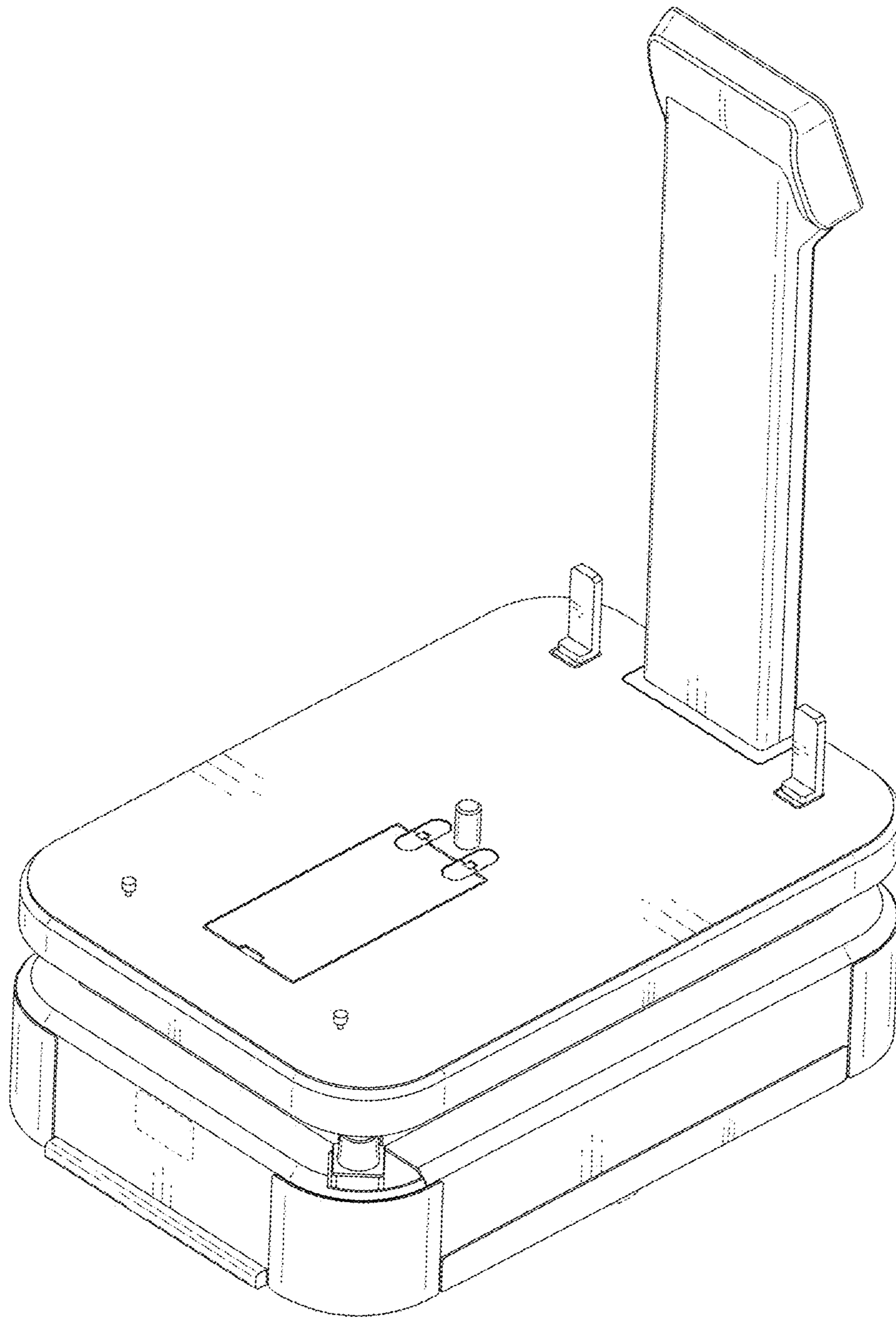


FIG. 10

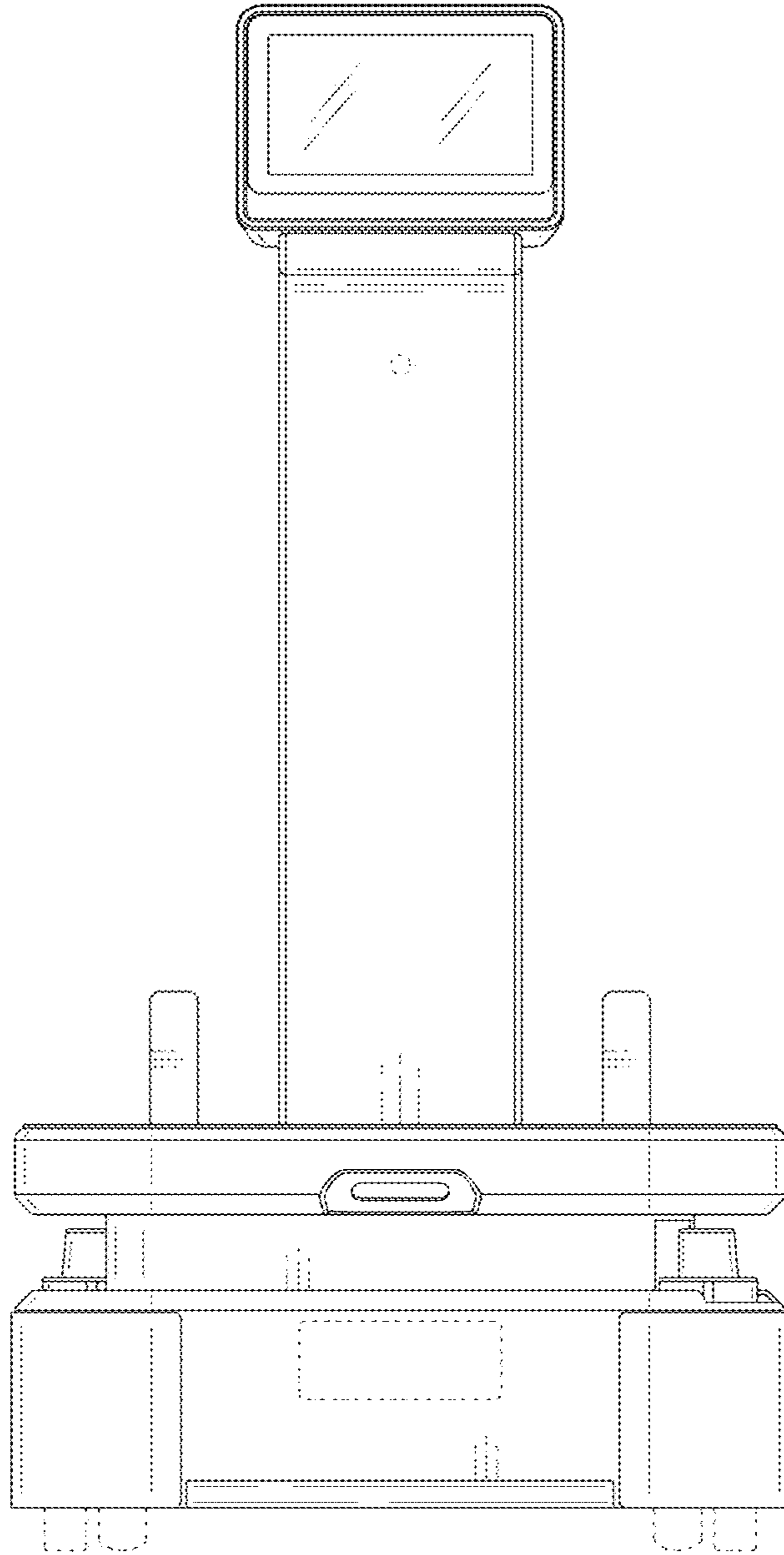


FIG. 11

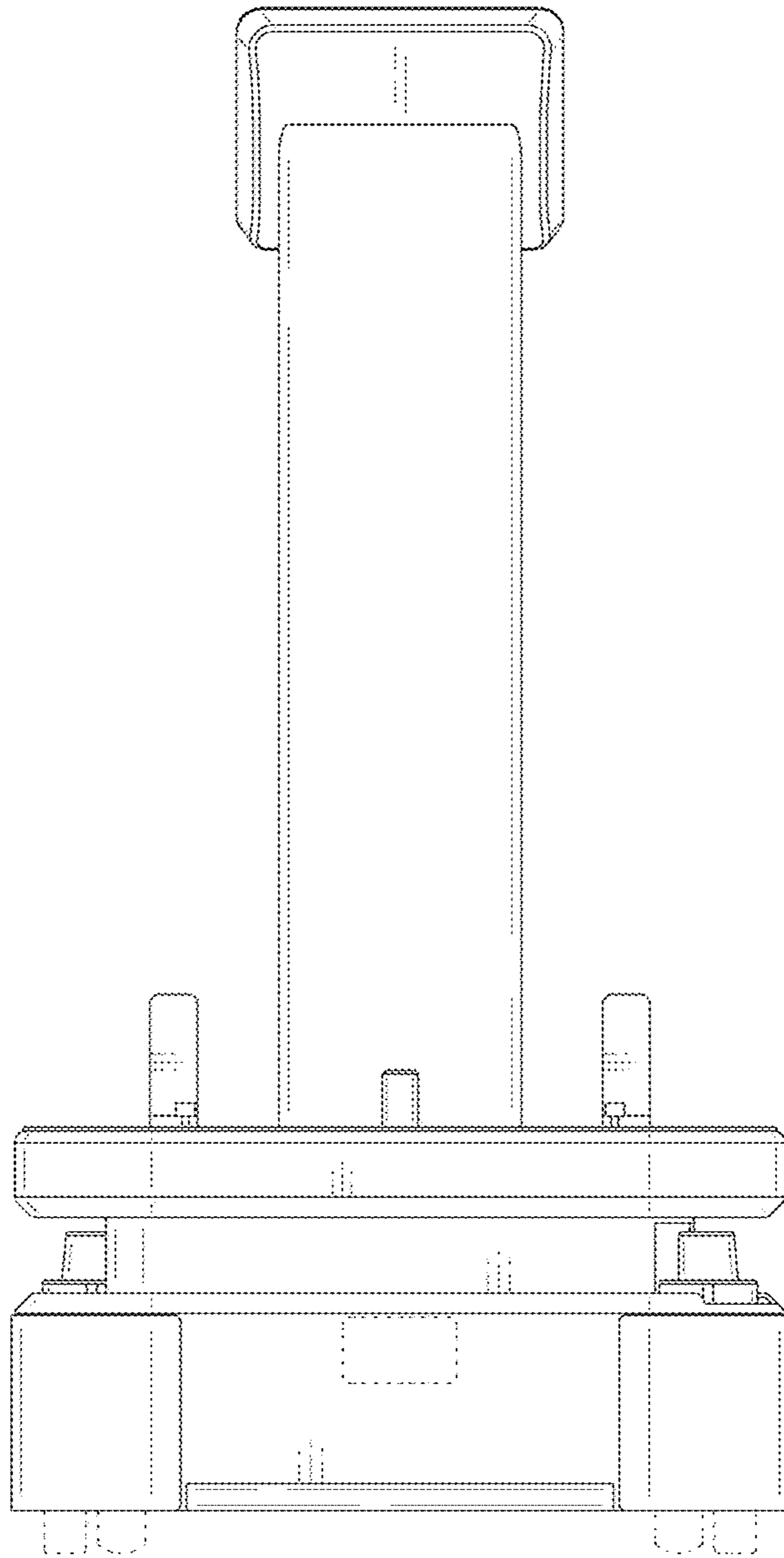


FIG. 12

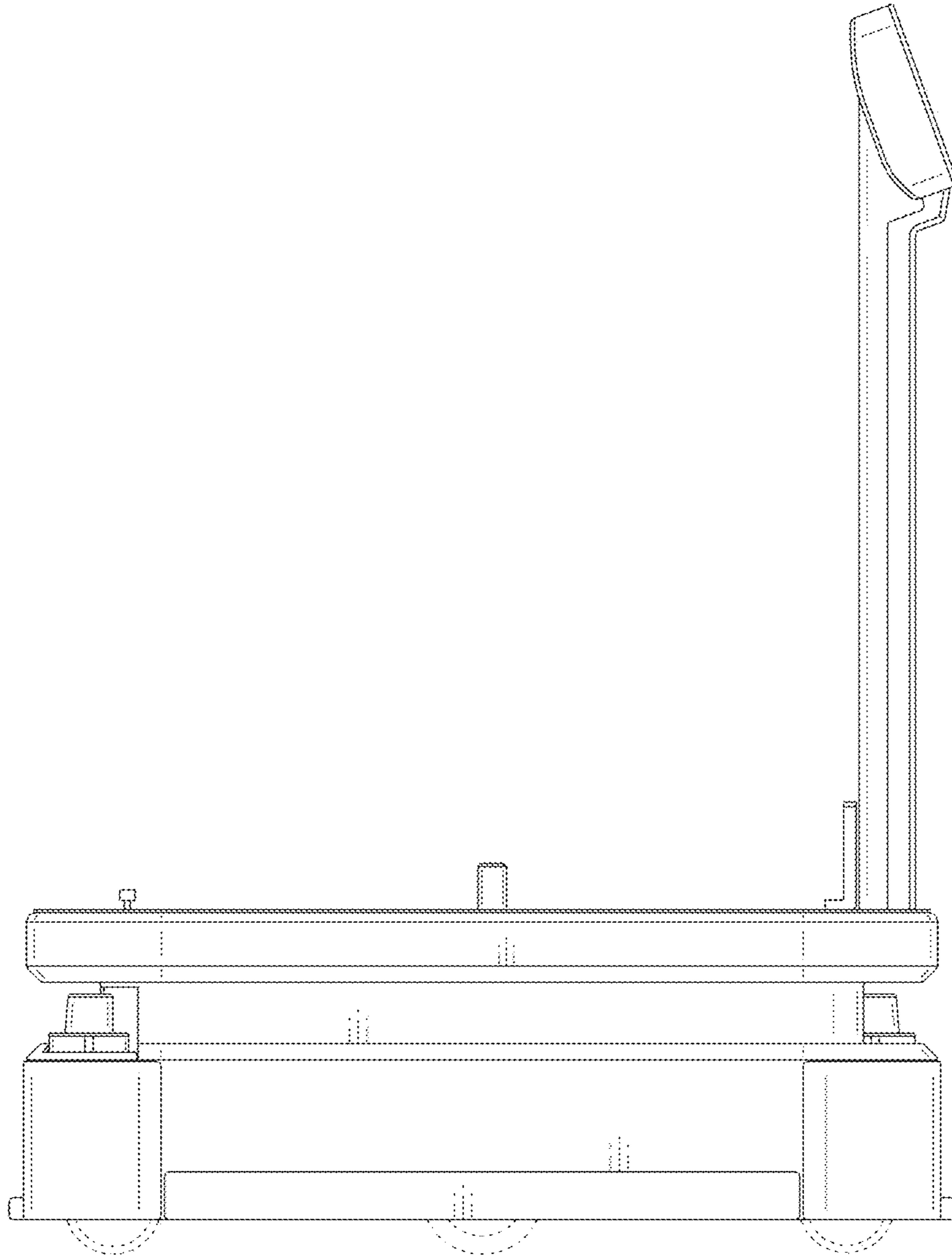


FIG. 13

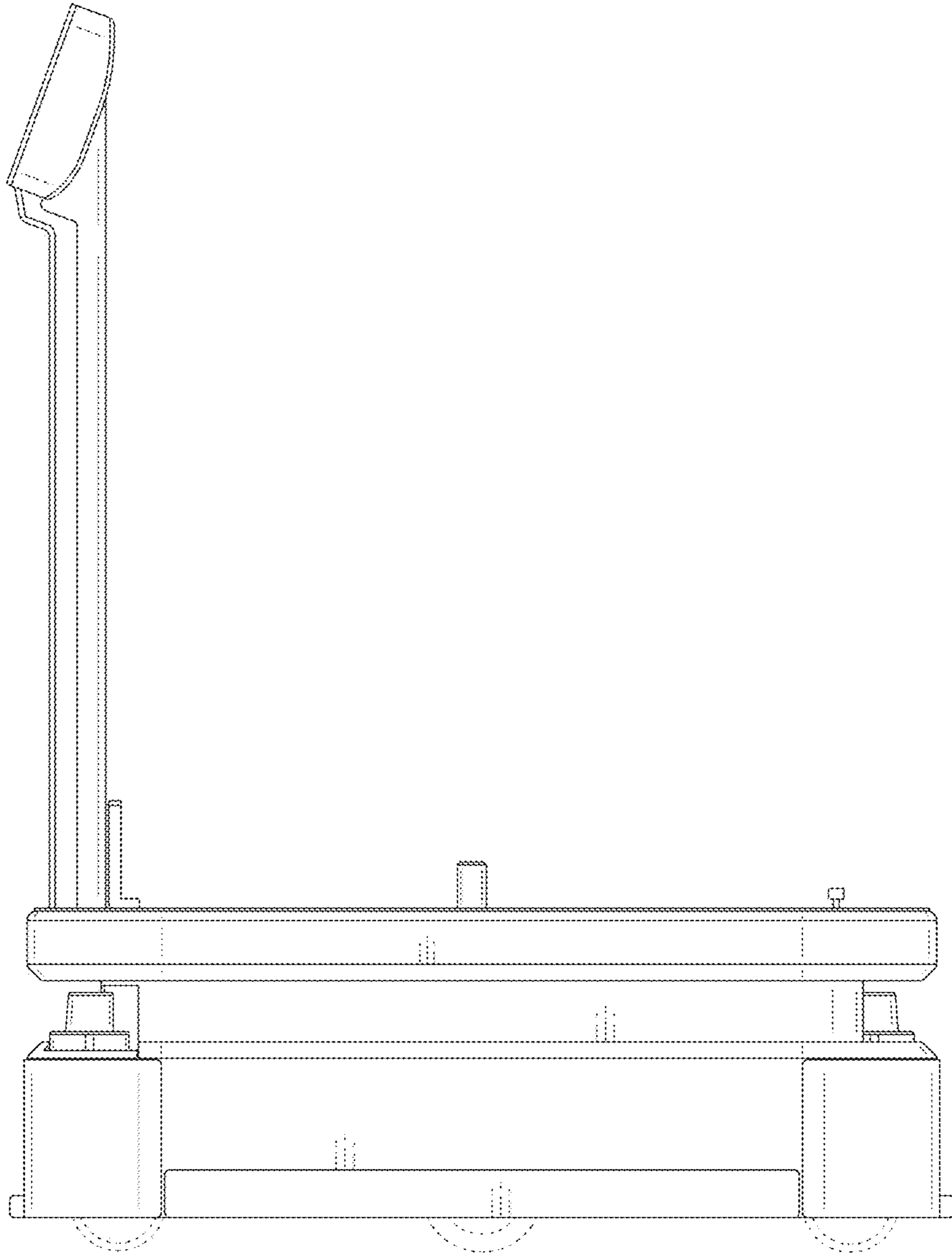


FIG. 14



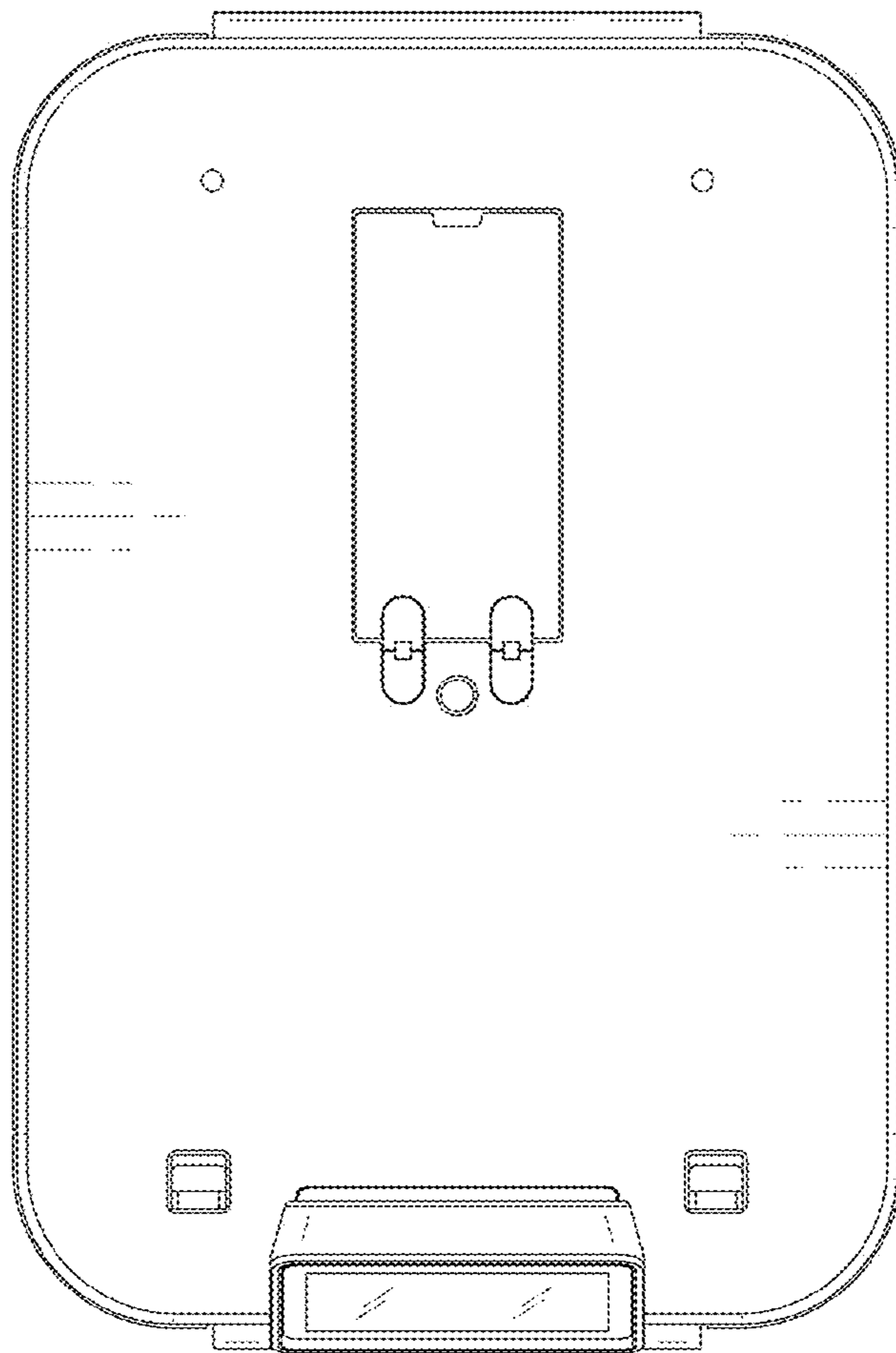


FIG. 15

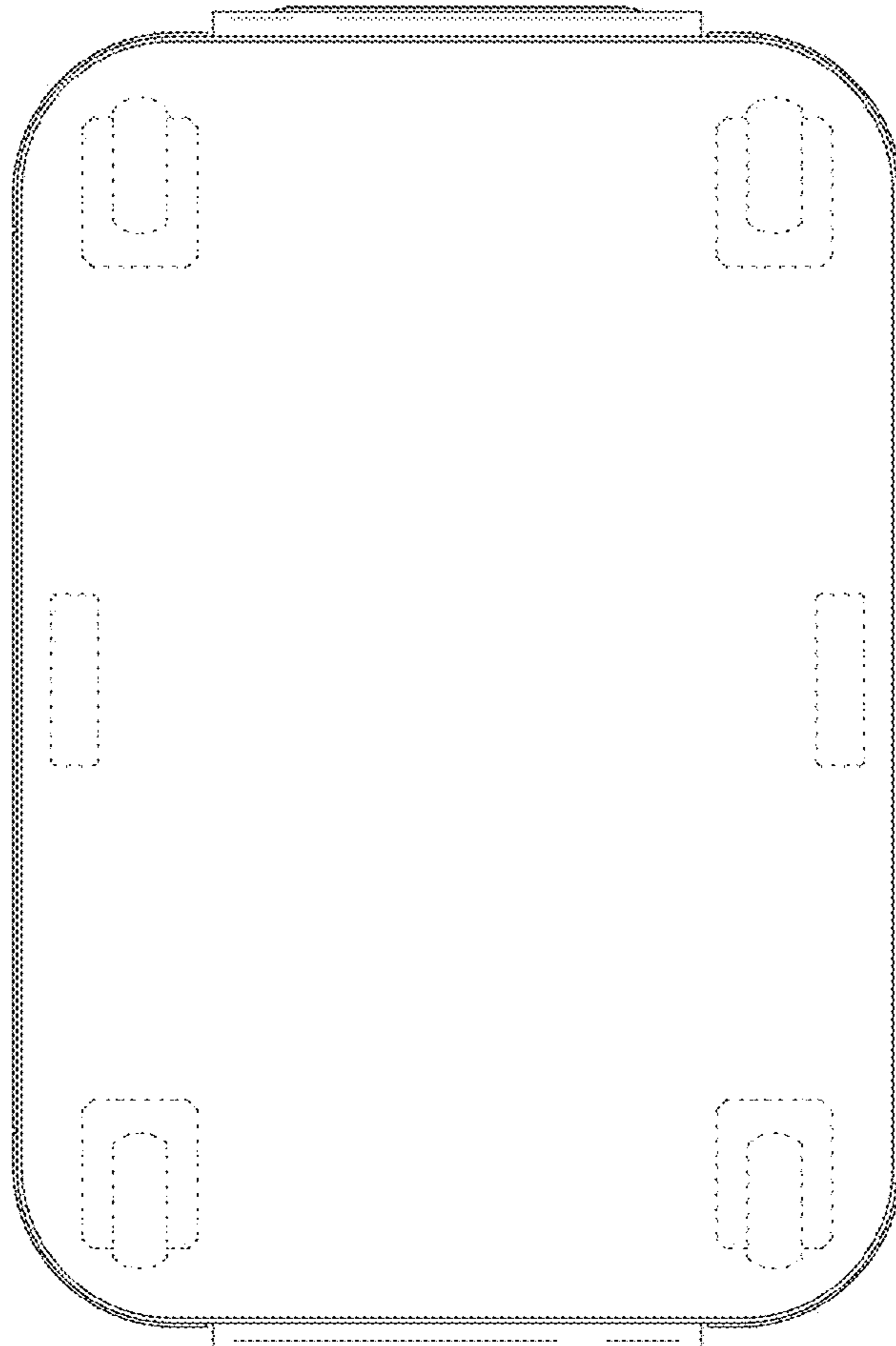


FIG. 16