



US00D963719S

(12) **United States Design Patent**
Yoder et al.

(10) **Patent No.:** **US D963,719 S**

(45) **Date of Patent:** **** Sep. 13, 2022**

(54) **COIL UNIT**

(71) Applicant: **Warn Automotive, LLC**, Milwaukie, OR (US)

(72) Inventors: **Bryan Yoder**, Corvallis, OR (US);
Evan Placek, Newberg, OR (US);
Adam Reiner, Wilsonville, OR (US);
Christopher James Boudreau,
Estacada, OR (US); **Adrian Simula**,
Livonia, MI (US); **Blake Randall**,
Wilsonville, OR (US)

(73) Assignee: **WARN Automotive, LLC**, Milwaukie, OR (US)

(**) Term: **15 Years**

(21) Appl. No.: **29/671,846**

(22) Filed: **Nov. 30, 2018**

(51) **LOC (13) Cl.** **15-99**

(52) **U.S. Cl.**
USPC **D15/148**

(58) **Field of Classification Search**

USPC D8/499; D12/122-124, 127, 159-162,
D12/180; D15/1-5, 138, 143, 148, 151;
D13/151; D34/29, 33, 35
CPC B60L 5/005; B60L 53/12; B60L 53/122;
H01F 38/14; H02J 50/12

See application file for complete search history.

(56) **References Cited**

U.S. PATENT DOCUMENTS

D372,192 S *	7/1996	Pigott	D8/499
D471,217 S *	3/2003	Beer	D15/148
D487,760 S *	3/2004	Martin	D15/148
D582,450 S *	12/2008	Shirataki	D15/148
D583,842 S *	12/2008	Shirataki	D15/148
D586,832 S *	2/2009	Shirataki	D15/148

(Continued)

Primary Examiner — Michael C Stout
Assistant Examiner — Fritzgerald L Butac

(74) *Attorney, Agent, or Firm* — Fish & Richardson P.C.

(57) **CLAIM**

The ornamental design for a coil unit, as shown and described.

DESCRIPTION

FIG. 1 is a front-top-right perspective view of a coil unit according to a first embodiment of the present invention.

FIG. 2 is a front-bottom-left perspective view of the coil unit of FIG. 1.

FIG. 3 is a rear-top-left perspective view of the coil unit of FIG. 1.

FIG. 4 is a rear-bottom-right perspective view of the coil unit of FIG. 1.

FIG. 5 is a top view of the coil unit of FIG. 1.

FIG. 6 is a bottom view of the coil unit of FIG. 1.

FIG. 7 is a left side view of the coil unit of FIG. 1.

FIG. 8 is a right side view of the coil unit of FIG. 1.

FIG. 9 is a front view of the coil unit of FIG. 1.

FIG. 10 is a rear view of the coil unit of FIG. 1.

FIG. 11 is a front-top-right perspective view of a coil unit according to a second embodiment of the present invention.

FIG. 12 is a front-bottom-left perspective view of the coil unit of FIG. 11.

FIG. 13 is a rear-top-left perspective view of the coil unit of FIG. 11.

FIG. 14 is a rear-bottom-right perspective view of the coil unit of FIG. 11.

FIG. 15 is a top view of the coil unit of FIG. 11.

FIG. 16 is a bottom view of the coil unit of FIG. 11.

FIG. 17 is a left side view of the coil unit of FIG. 11.

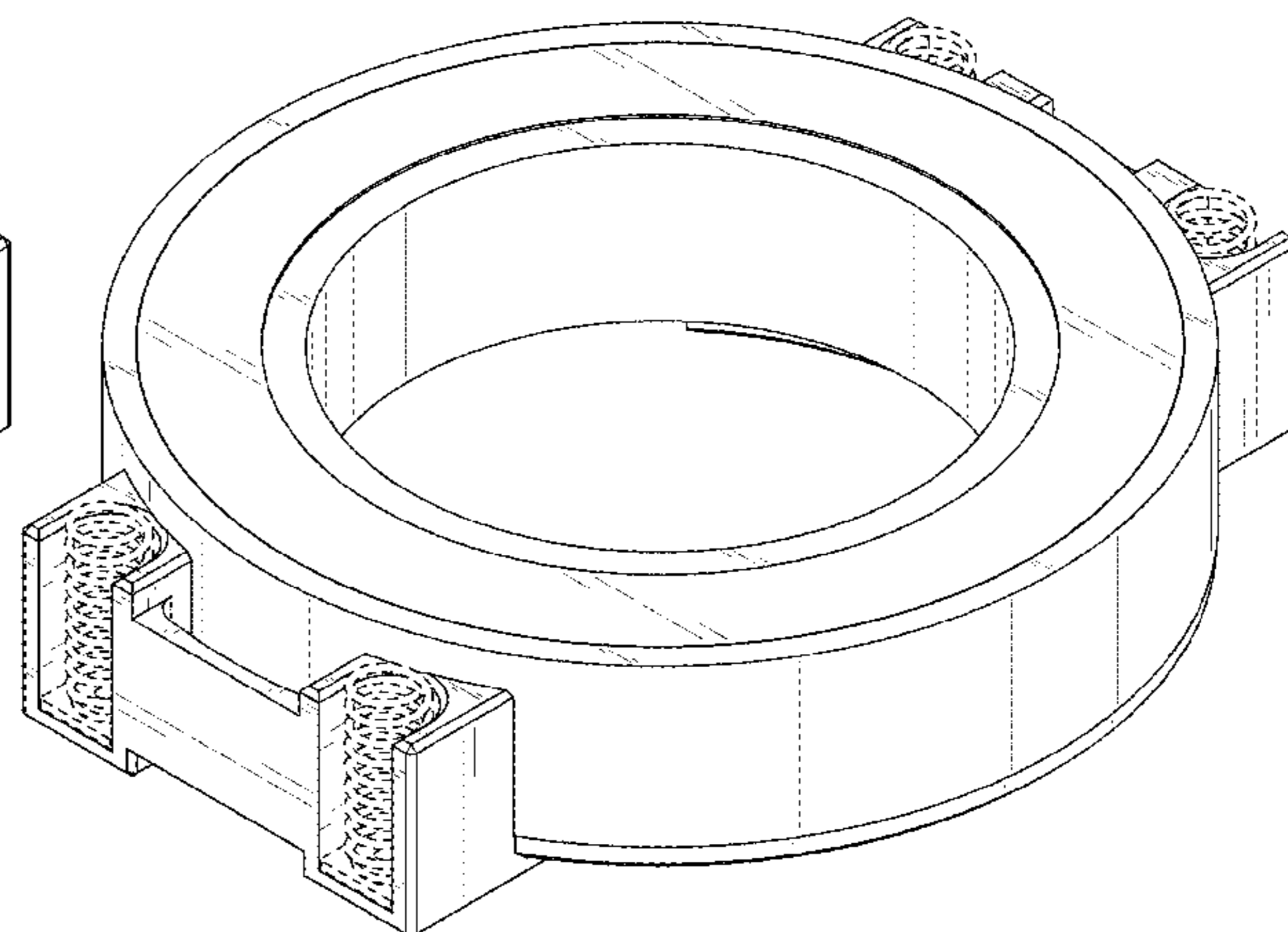
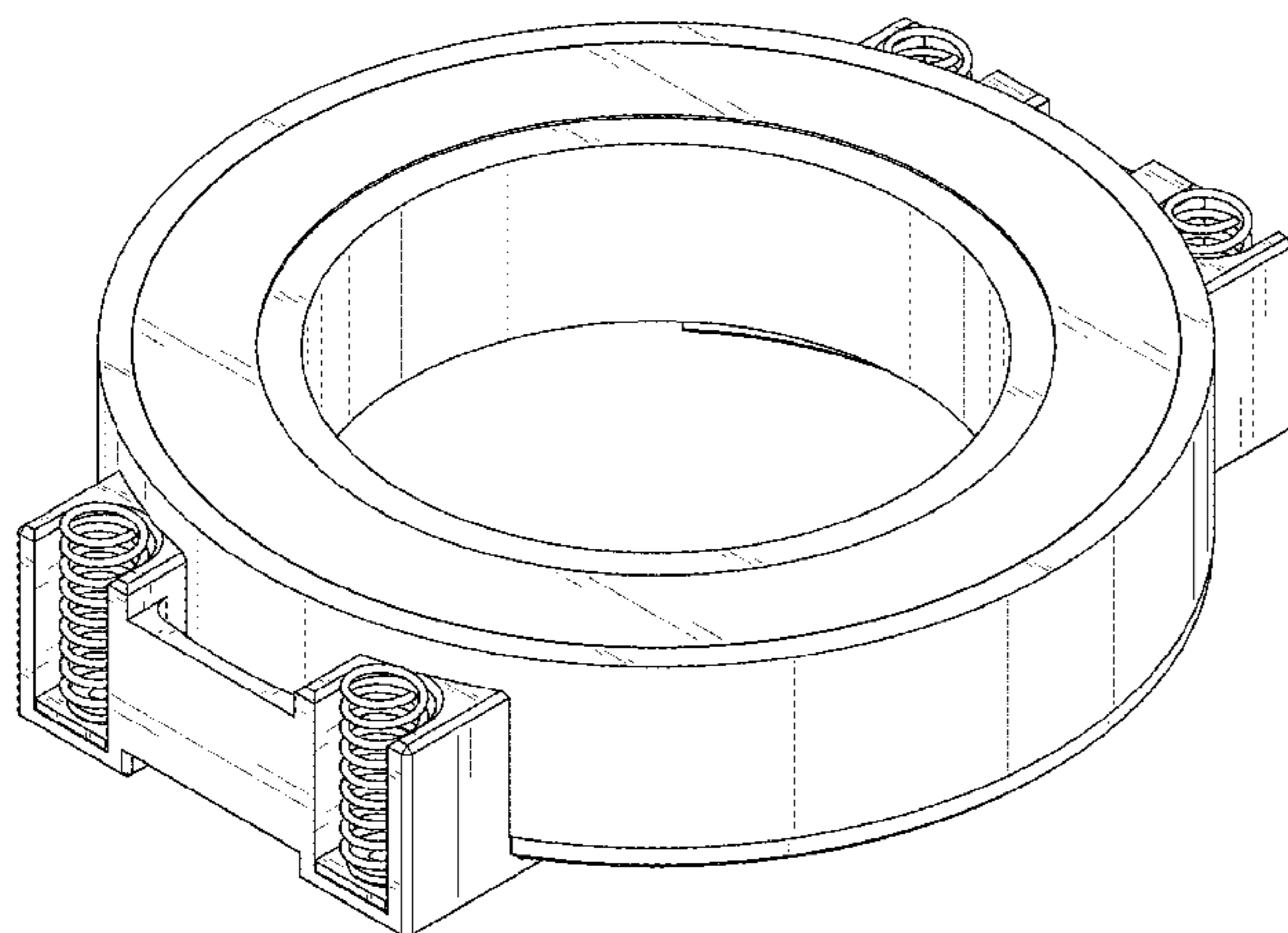
FIG. 18 is a right side view of the coil unit of FIG. 11.

FIG. 19 is a front view of the coil unit of FIG. 11; and,

FIG. 20 is a rear view of the coil unit of FIG. 11.

The broken lines shown in FIGS. 11-20 illustrate portions of the coil unit that form no part of the claimed design.

1 Claim, 16 Drawing Sheets



(56)

References Cited

U.S. PATENT DOCUMENTS

D711,445 S * 8/2014 Creager D15/148
D843,426 S * 3/2019 Iguchi D15/148
D869,529 S * 12/2019 Chang F16H 55/17
D15/148
D869,530 S * 12/2019 Chang D15/148
D879,171 S * 3/2020 Chang D15/148
D881,767 S * 4/2020 Yoder D12/180
D890,237 S * 7/2020 Yoder D34/33
D908,756 S * 1/2021 Bos D15/148
D924,046 S * 7/2021 Hurst D15/148

* cited by examiner

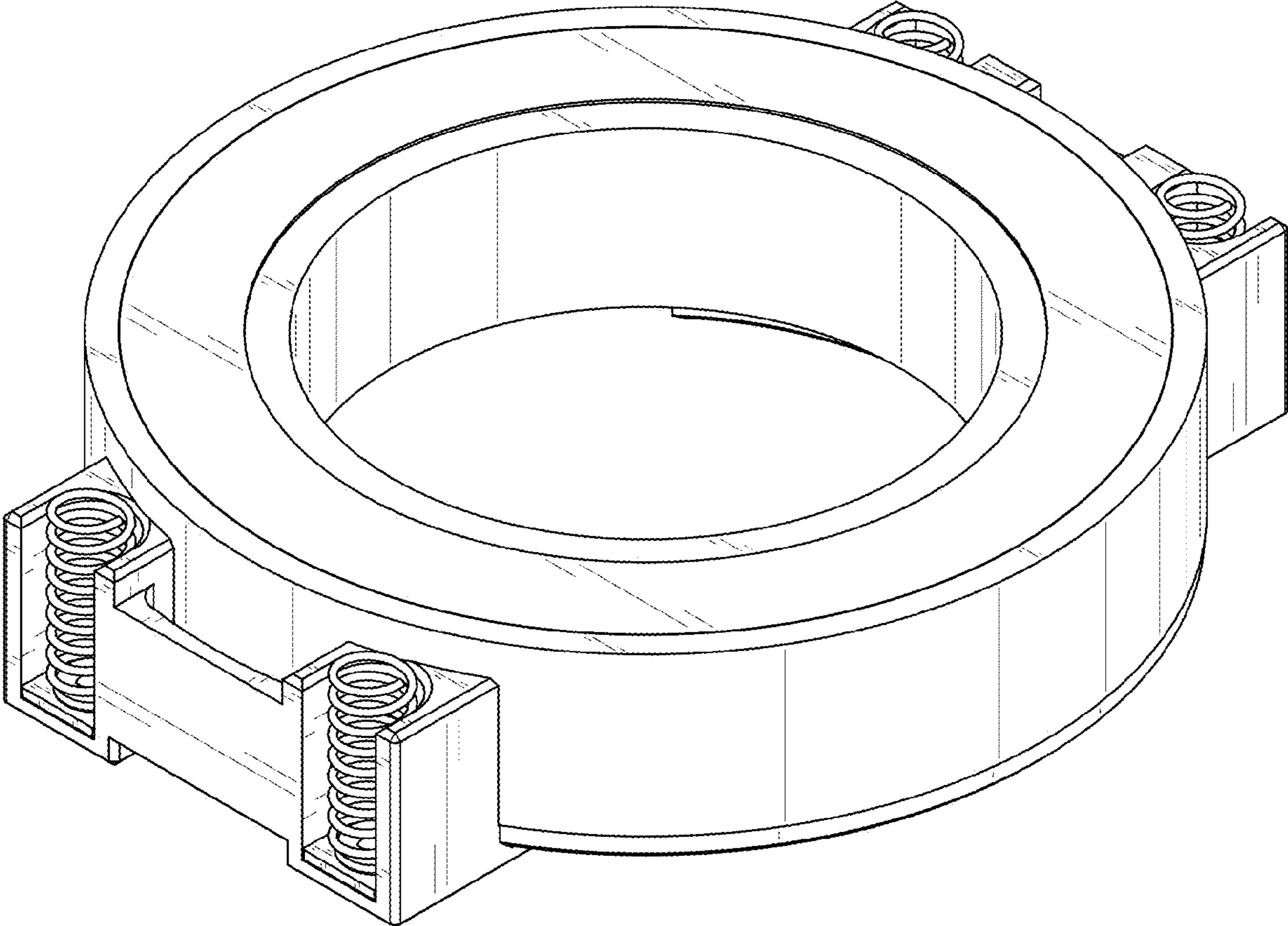


FIG. 1

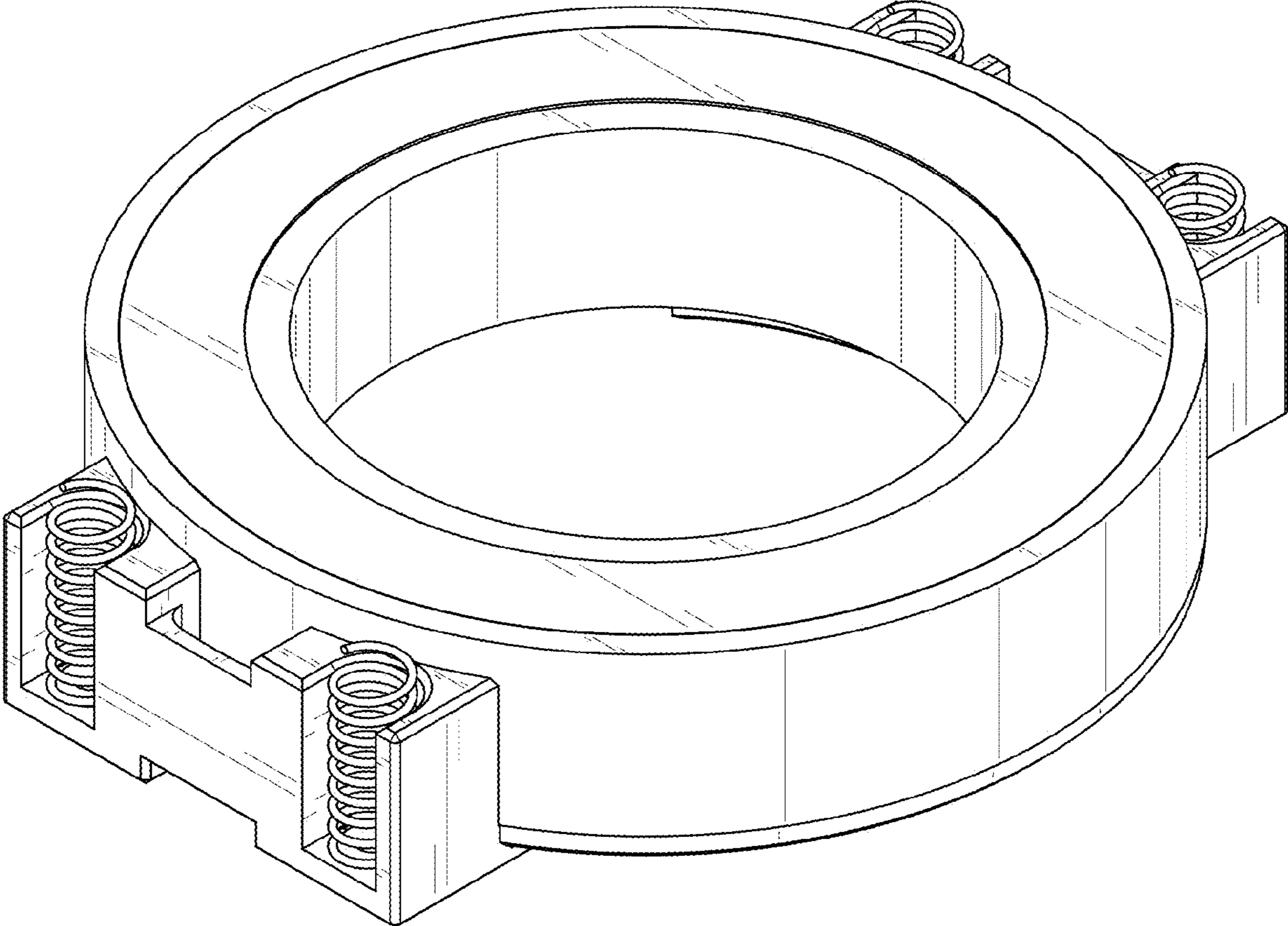


FIG. 2

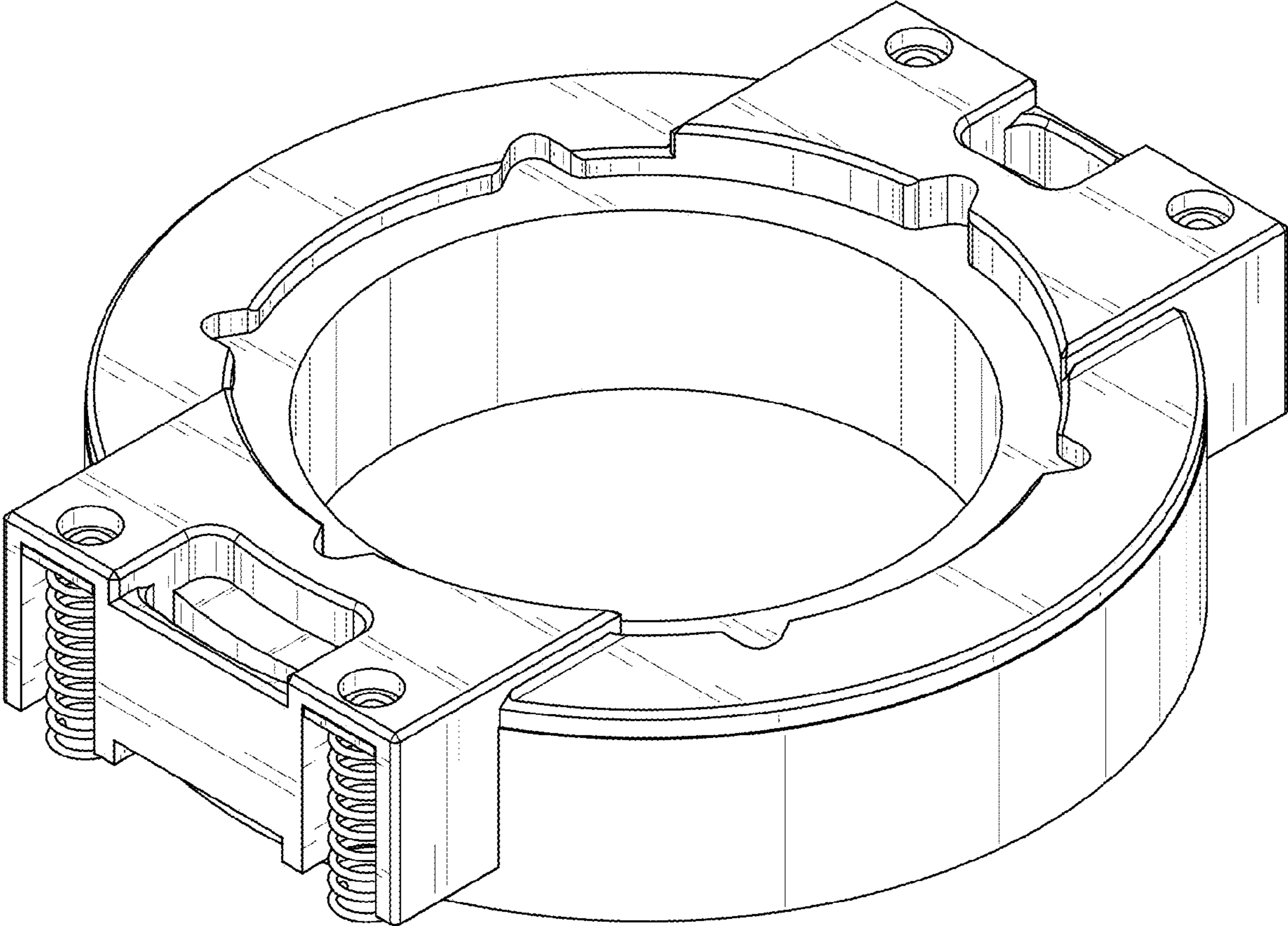


FIG. 3

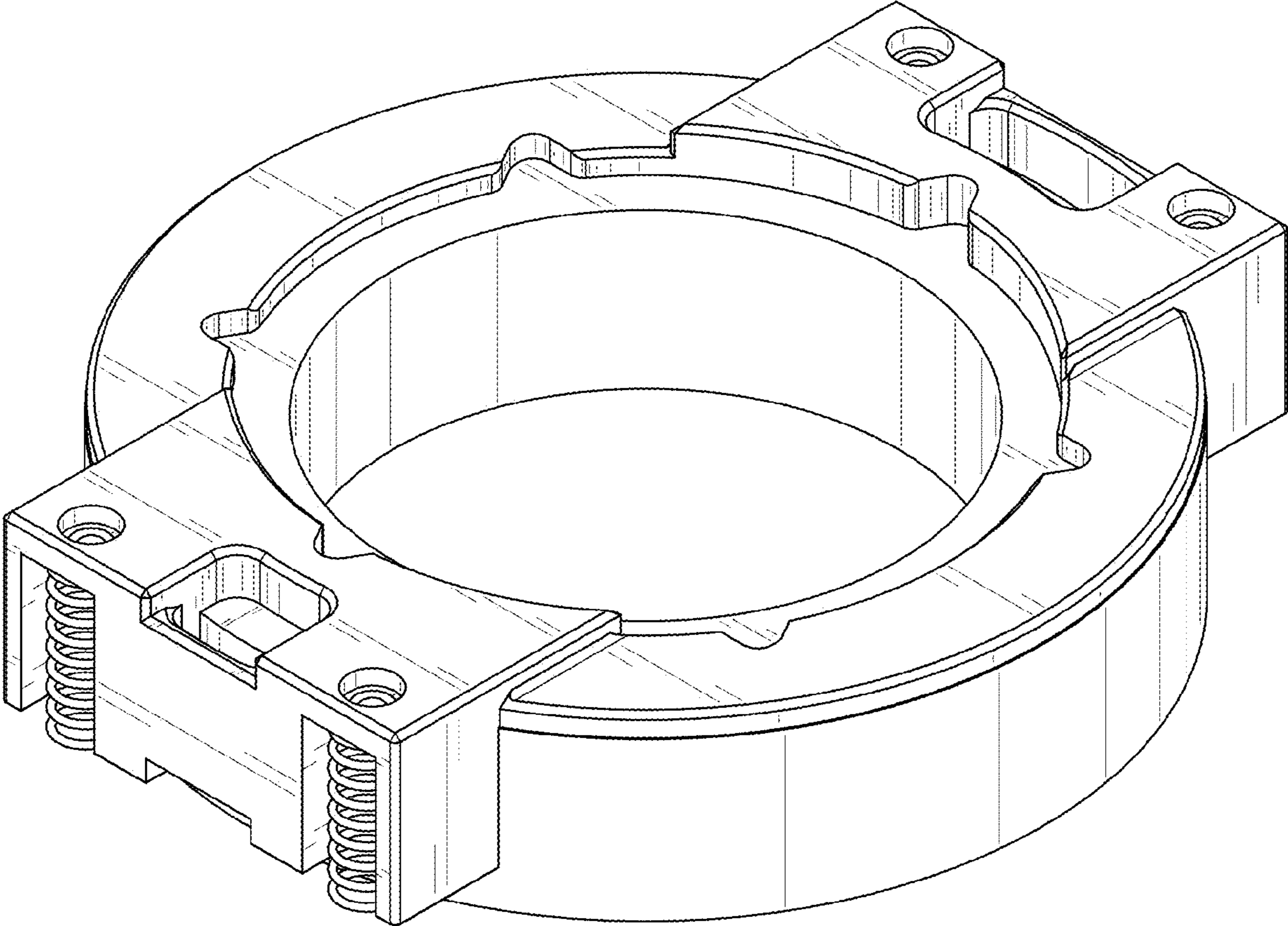


FIG. 4

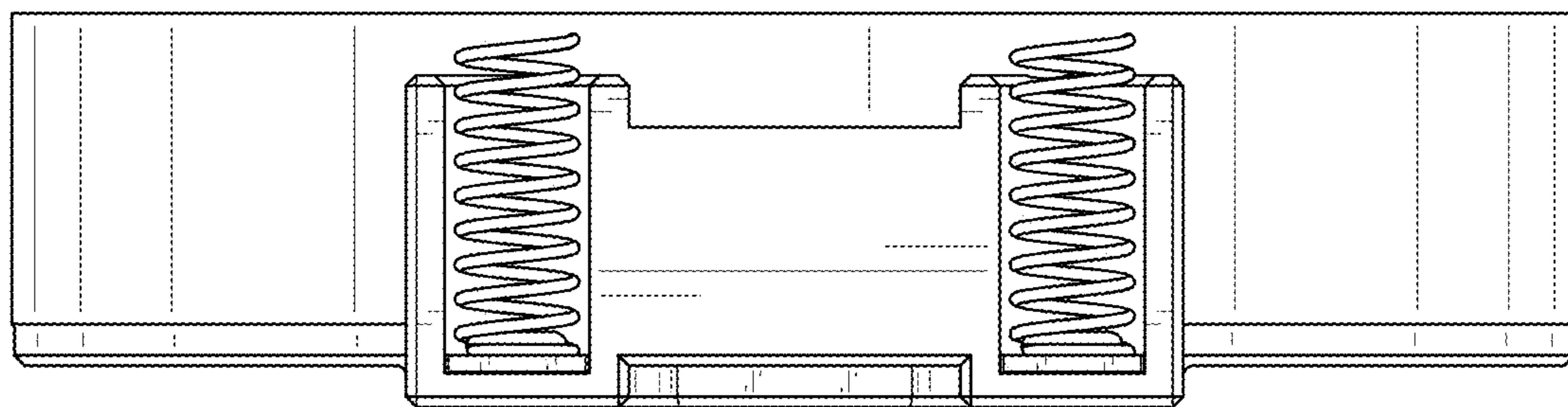


FIG. 5

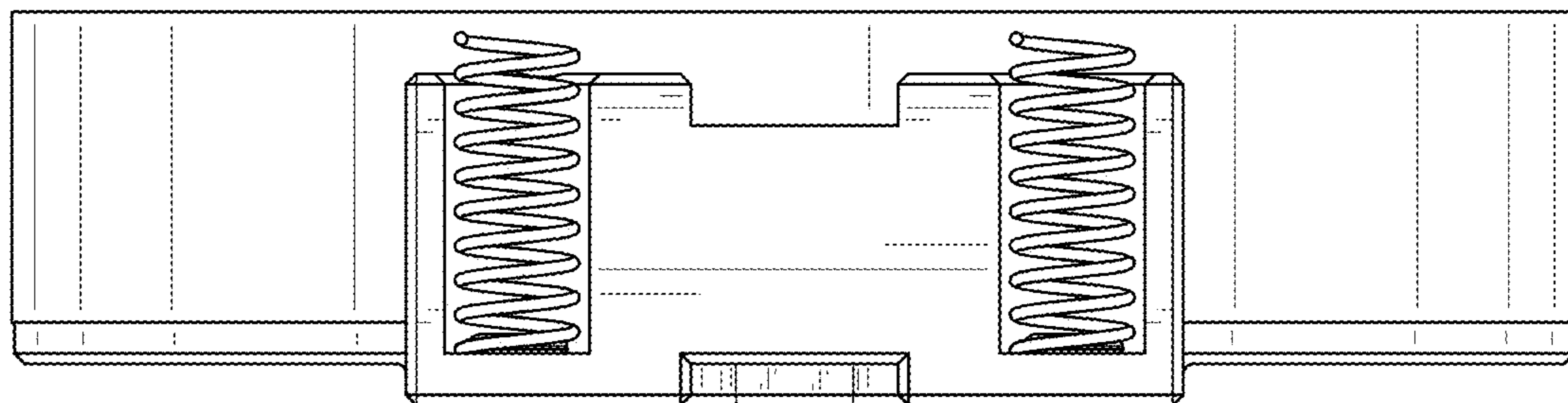


FIG. 6

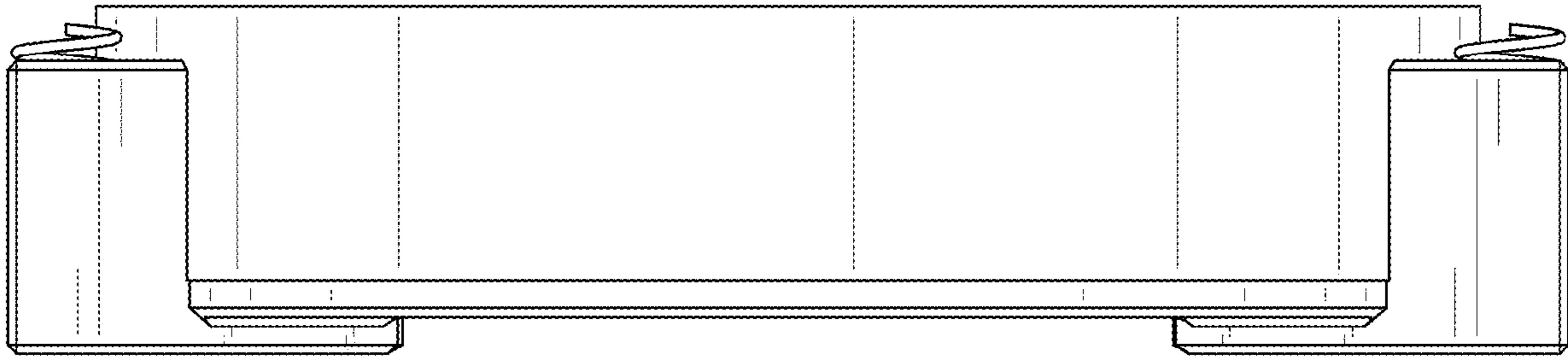


FIG. 7

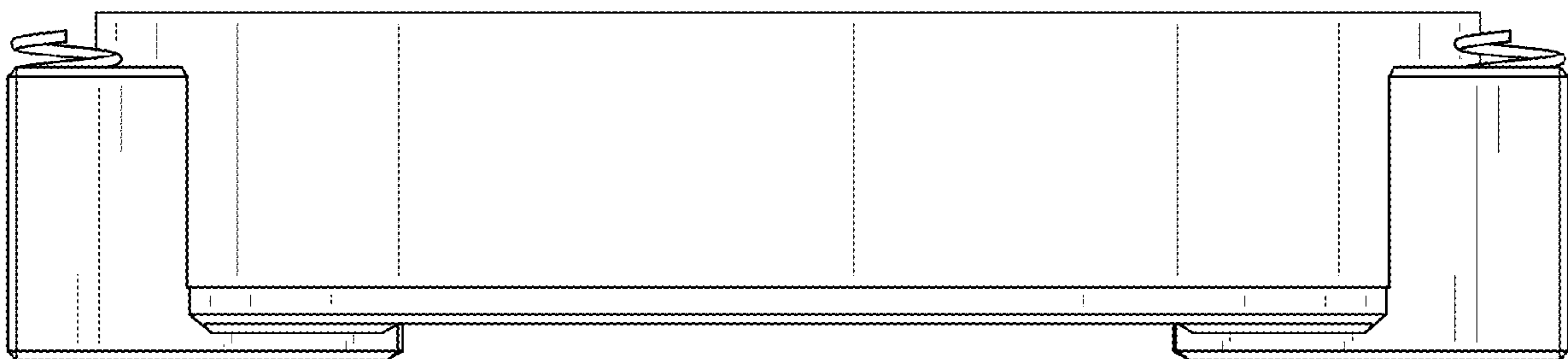


FIG. 8

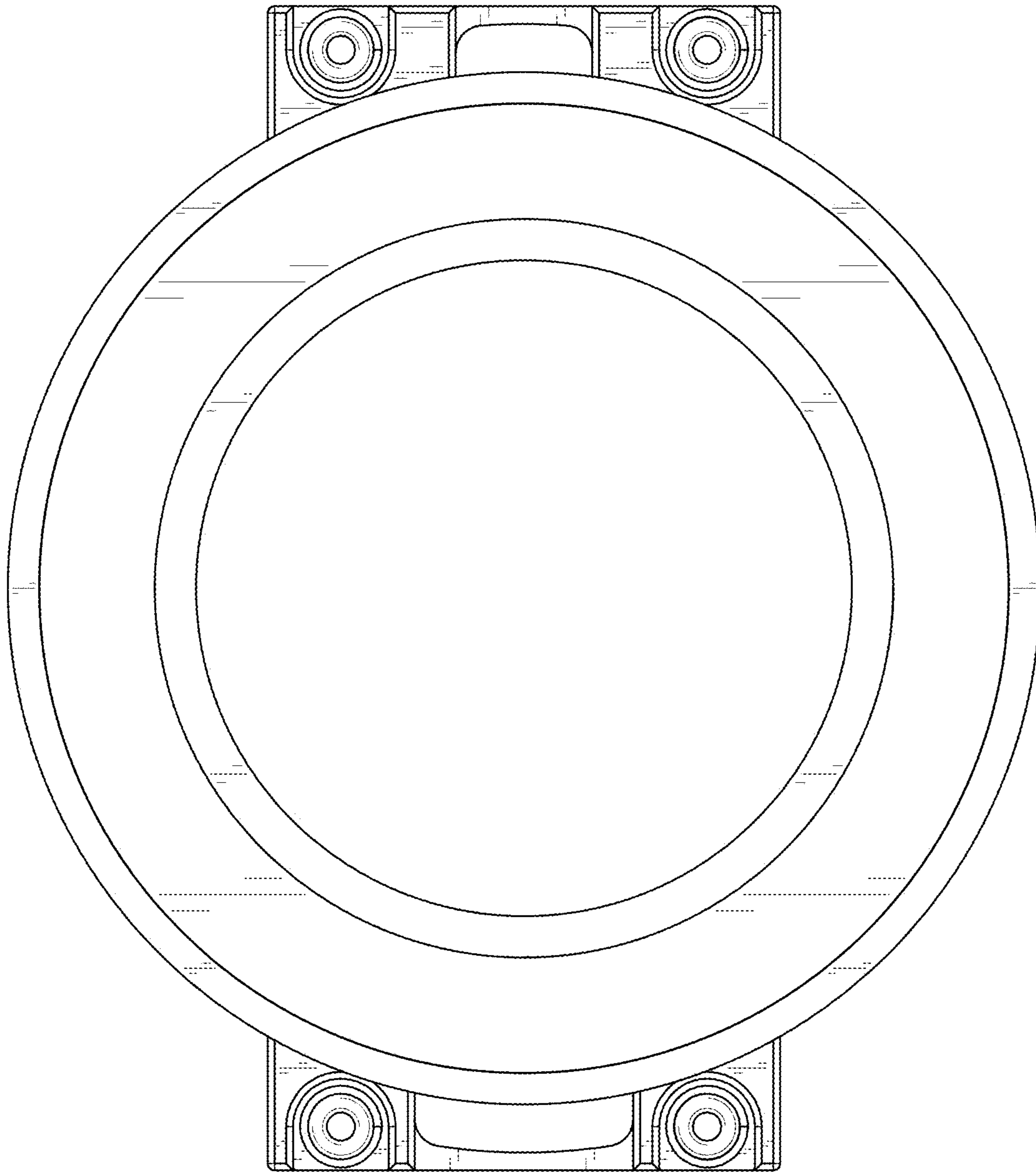


FIG. 9

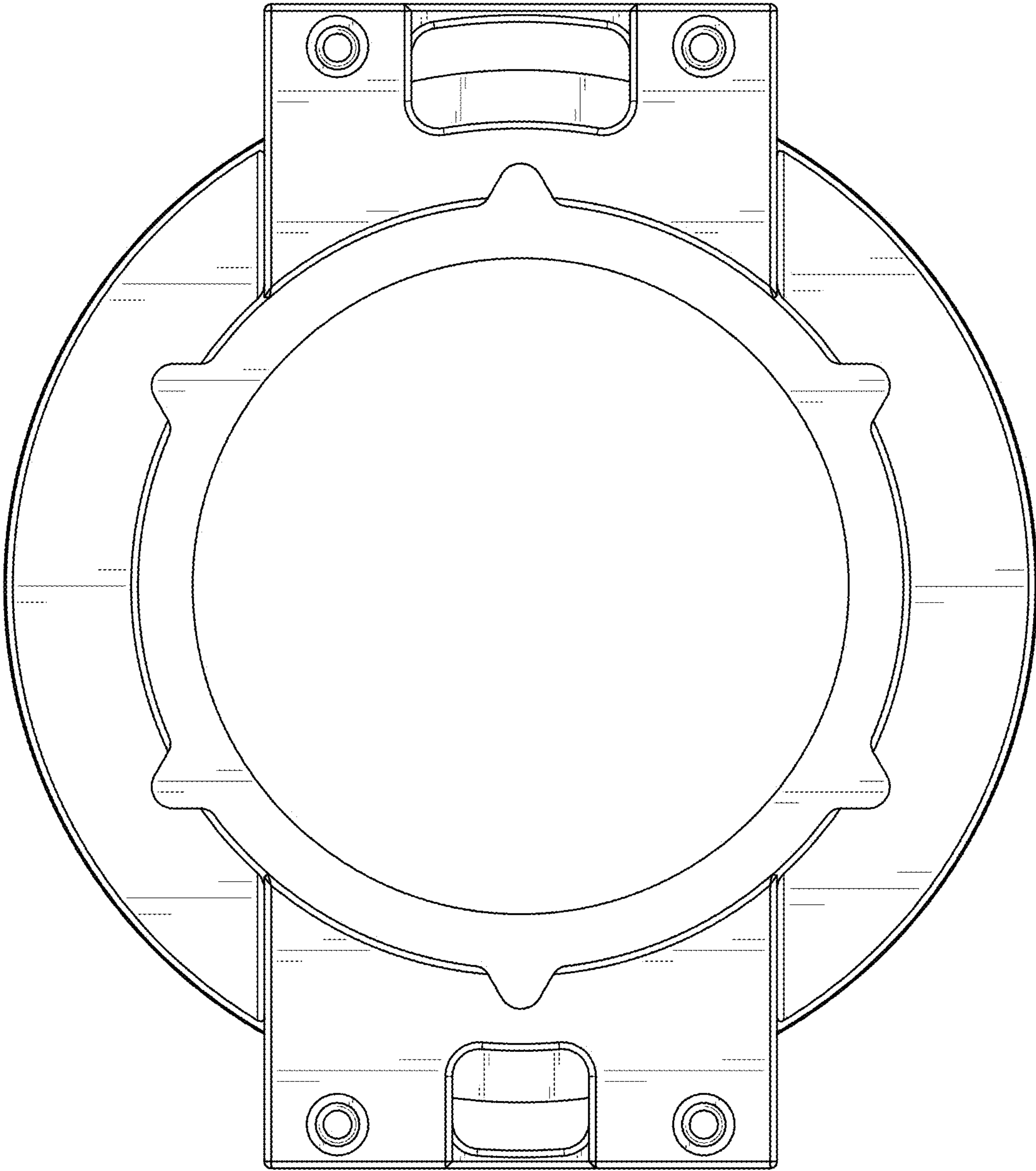


FIG. 10

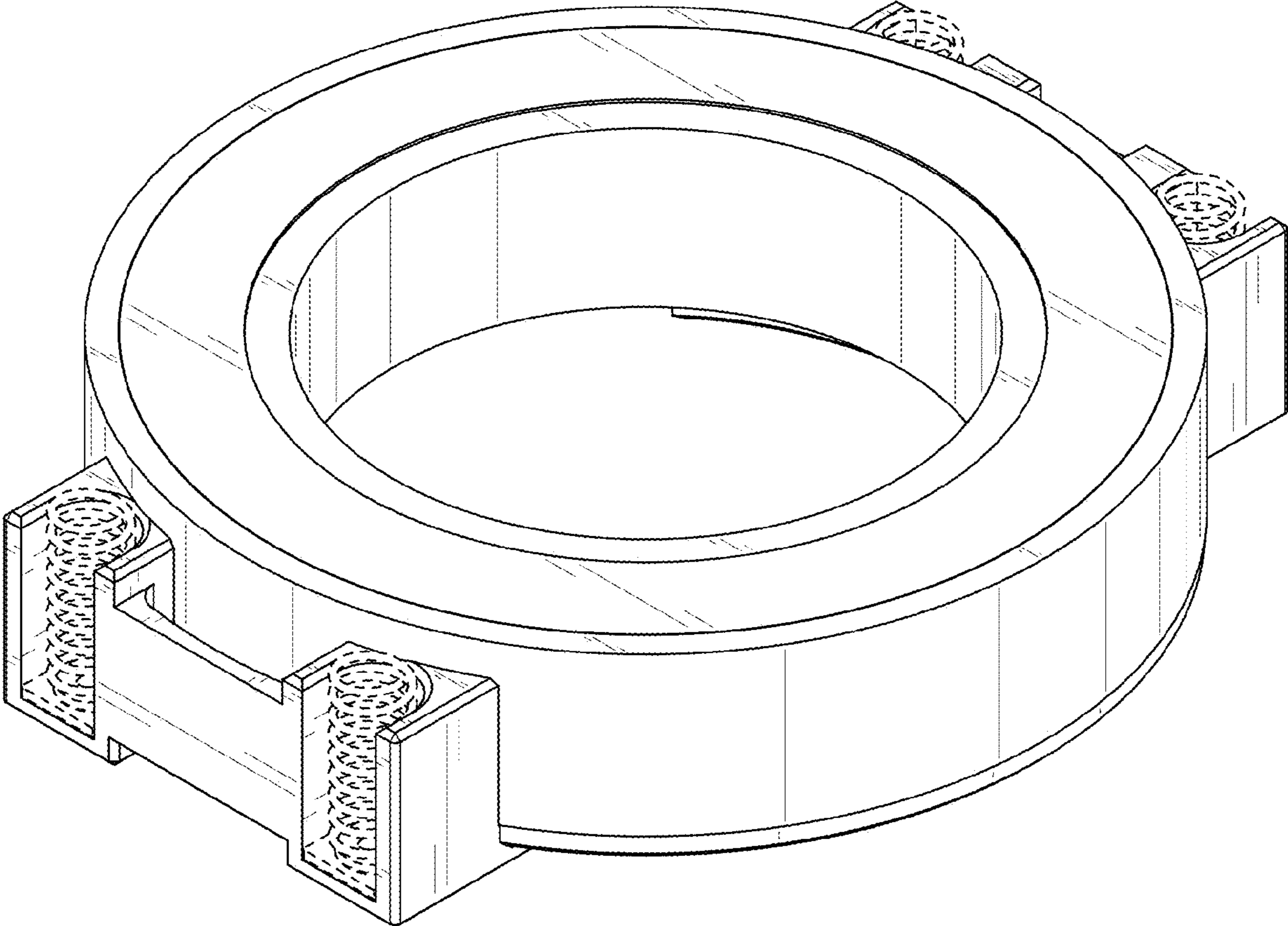


FIG. 11

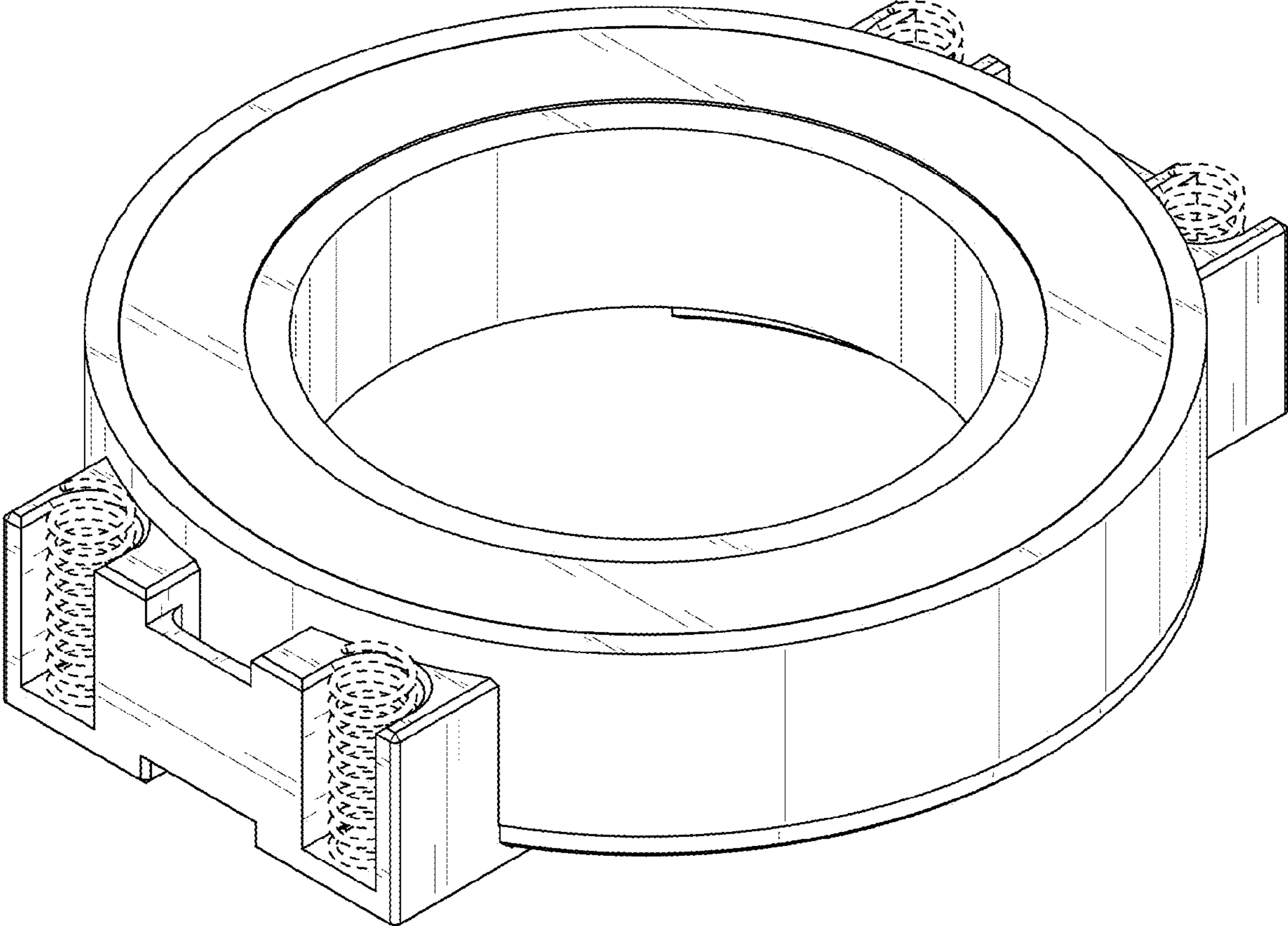


FIG. 12

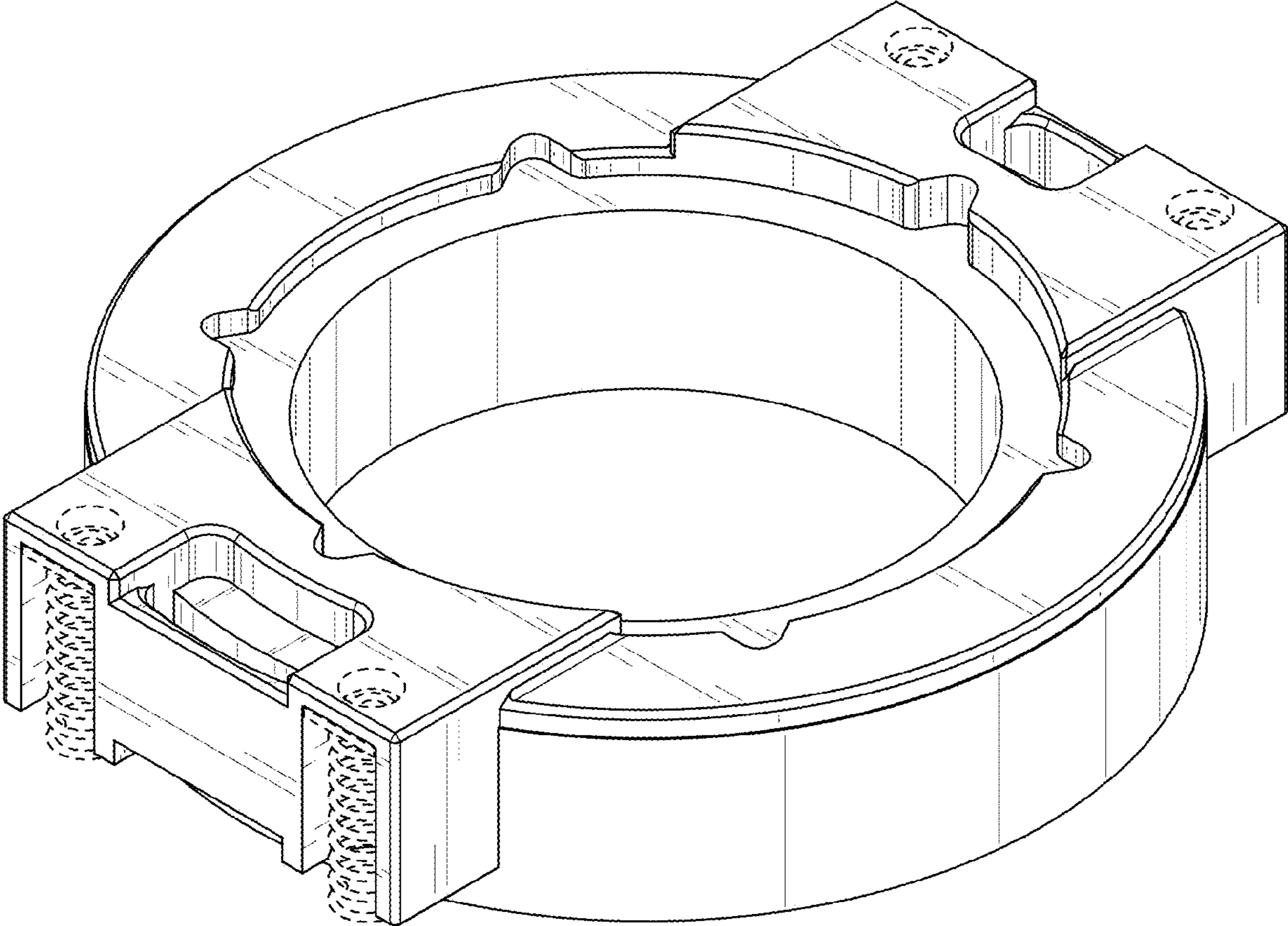


FIG. 13

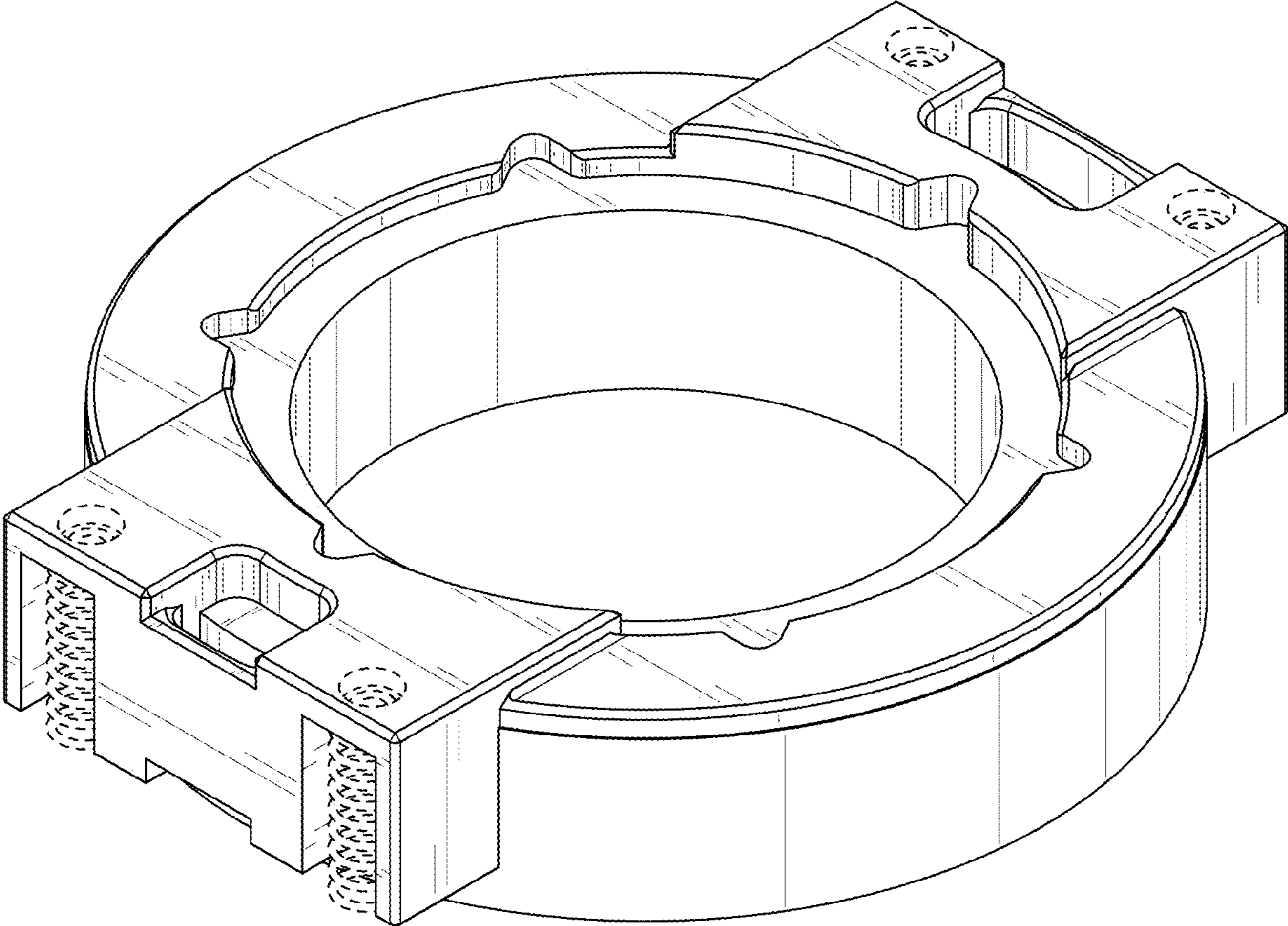


FIG. 14

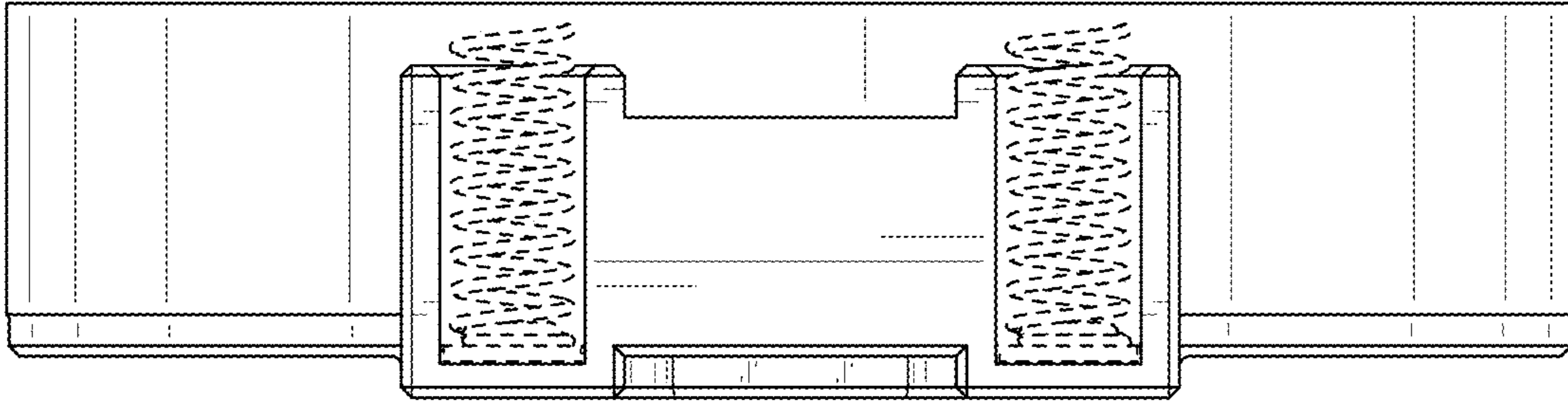


FIG. 15

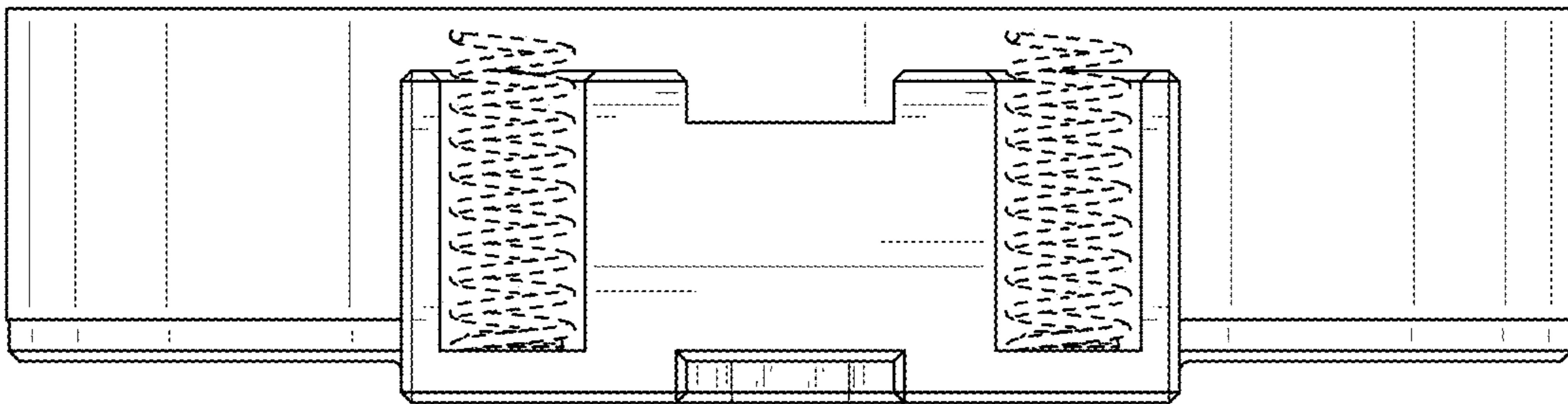


FIG. 16

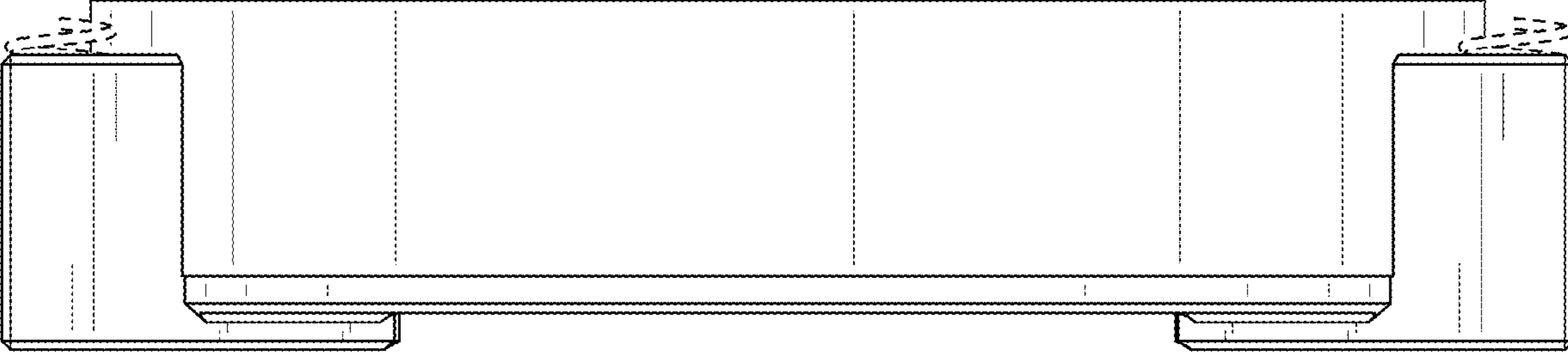


FIG. 17

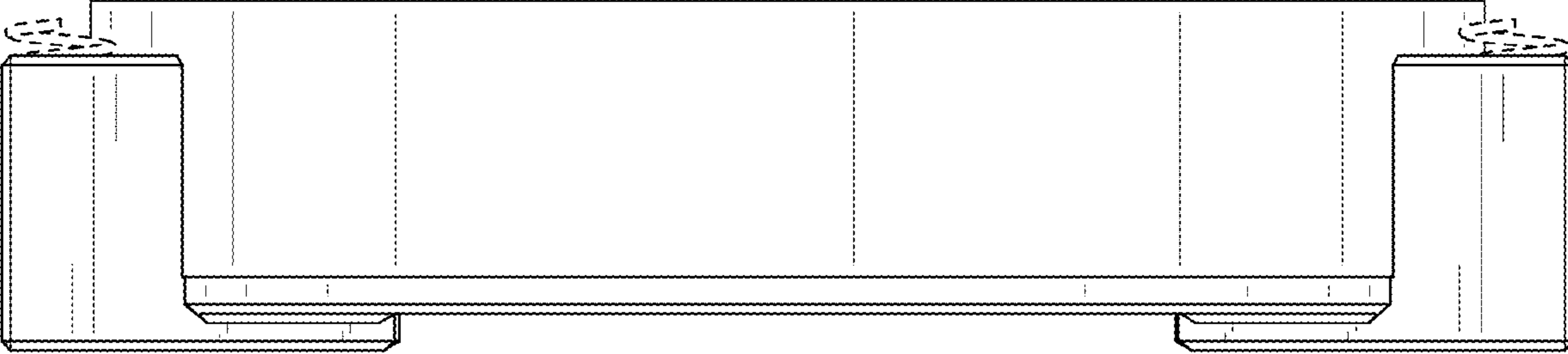


FIG. 18

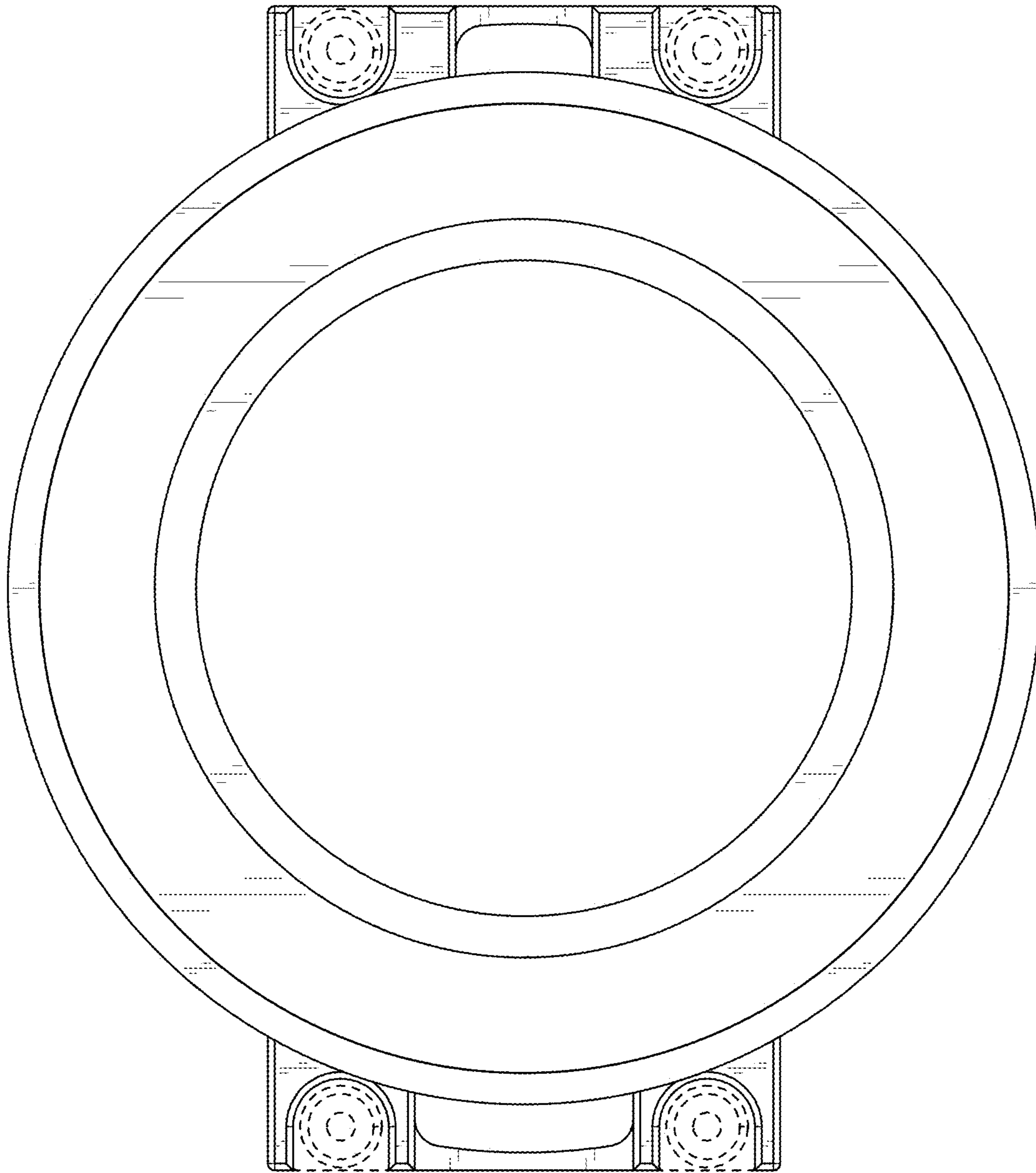


FIG. 19

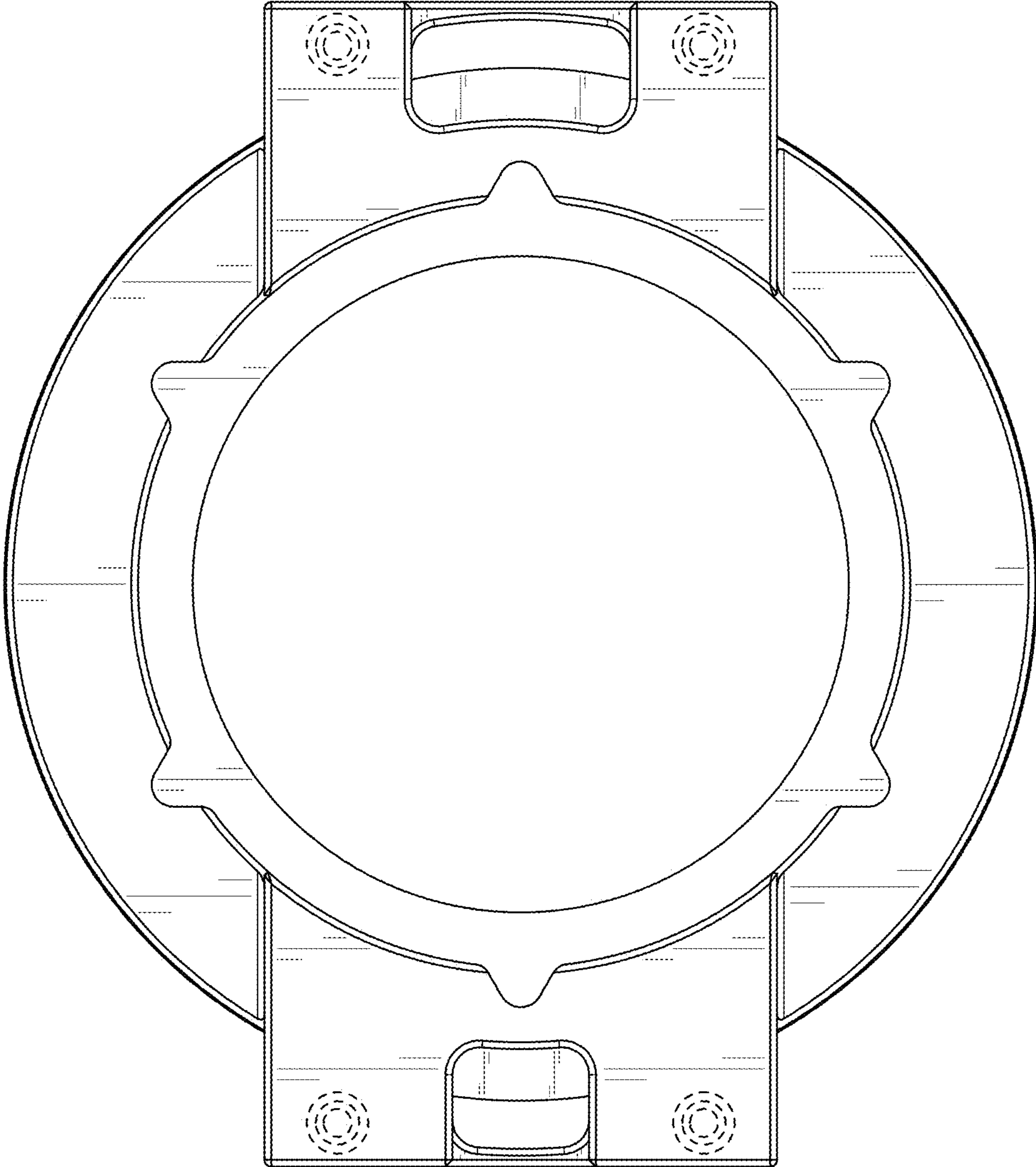


FIG. 20