



US00D963718S

(12) **United States Design Patent**
Congdon et al.

(10) **Patent No.:** **US D963,718 S**
(45) **Date of Patent:** **** Sep. 13, 2022**

(54) **CUTTING TOOL**
(71) Applicant: **CATERPILLAR INC.**, Peoria, IL (US)
(72) Inventors: **Thomas M. Congdon**, Dunlap, IL (US); **David B. Parzynski, Jr.**, Peoria, IL (US); **Nathan Bjerke**, Peoria, IL (US)

D347,232 S 5/1994 Massa et al.
5,484,191 A 1/1996 Sollami
5,551,760 A 9/1996 Sollami
D387,072 S 12/1997 Ojanen
D399,709 S * 10/1998 Lee D7/665
D413,126 S 8/1999 Warren et al.
(Continued)

(73) Assignee: **Caterpillar Inc.**, Peoria, IL (US)
(**) Term: **15 Years**

FOREIGN PATENT DOCUMENTS
CL 199400587 7/1995
CL 2018000175 A1 8/2018
(Continued)

(21) Appl. No.: **29/807,504**
(22) Filed: **Sep. 13, 2021**

OTHER PUBLICATIONS

Related U.S. Application Data

Second Official Action from the Chilean Patent Office in Application No. 201901253 dated Jul. 15, 2020.

(63) Continuation of application No. 29/771,750, filed on Feb. 25, 2021, now Pat. No. Des. 938,999, which is a continuation of application No. 29/670,396, filed on Nov. 15, 2018, now Pat. No. Des. 920,401.

Primary Examiner — Nathaniel D. Buckner
(74) *Attorney, Agent, or Firm* — Finnegan, Henderson, Farabow, Garrett & Dunner, LLP

(51) **LOC (13) Cl.** **15-09**
(52) **U.S. Cl.**
USPC **D15/139**

(57) **CLAIM**

(58) **Field of Classification Search**
USPC D15/139, 138, 70; D34/14
CPC E21C 35/18; E21C 35/183; E21C 35/1837;
E21C 35/197; E21C 35/1831; E21C
35/1933; E21C 35/188; E21C 35/19;
E21C 35/1835; E21C 35/191; E21C
27/22; B28D 1/125; E21B 10/36; E21B
10/46; E21B 17/1092
See application file for complete search history.

The ornamental design for a cutting tool, as shown and described.

DESCRIPTION

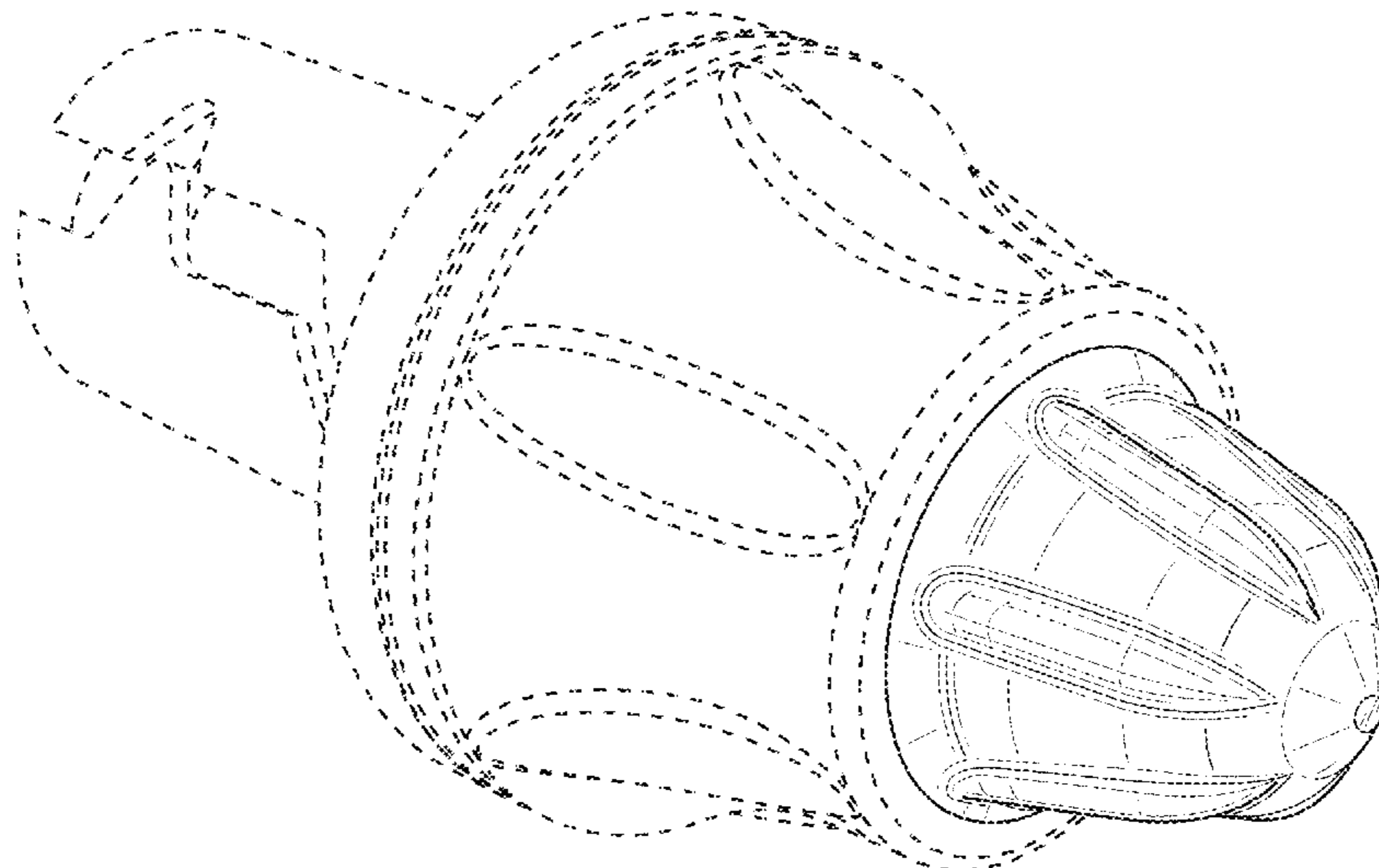
(56) **References Cited**

U.S. PATENT DOCUMENTS

3,361,481 A * 1/1968 Maddock E21C 35/18
299/110
4,065,185 A 12/1977 Elders
4,729,603 A * 3/1988 Elfgren E21B 10/5676
175/426

FIG. 1 is a front, top, left perspective view of a cutting tool showing the new design;
FIG. 2 is a rear, bottom, left perspective view thereof;
FIG. 3 is a left side view thereof, with the claimed design being radially symmetric;
FIG. 4 is a front elevation view thereof with the claimed design being radially symmetric; and,
FIG. 5 is a rear elevation view thereof, with the claimed design being radially symmetric.
The broken lines of even length shown in the drawings illustrate portions of the cutting tool that form no part of the claimed design.

1 Claim, 5 Drawing Sheets



(56)

References Cited

U.S. PATENT DOCUMENTS

D420,013 S 2/2000 Warren et al.
 6,019,434 A 2/2000 Emmerich
 6,199,956 B1 3/2001 Kammerer
 6,341,823 B1 1/2002 Sollami
 6,354,771 B1* 3/2002 Bauschulte E21C 35/183
 299/111
 6,554,369 B2* 4/2003 Sollami E21C 35/183
 299/113
 D520,035 S 5/2006 Kammerer
 D558,241 S 12/2007 Chiang
 D558,242 S 12/2007 Chiang
 D572,735 S 7/2008 Kammerer
 D572,736 S 7/2008 Chiang
 D585,918 S 2/2009 Chiang
 D627,804 S 11/2010 Fader et al.
 D627,808 S 11/2010 Kammerer
 D627,809 S 11/2010 Kammerer
 D636,797 S 4/2011 Kammerer
 D637,213 S 5/2011 Kammerer
 D664,011 S* 7/2012 Affonso D7/665
 8,267,483 B2 9/2012 Krämer et al.
 8,636,325 B2 1/2014 Greenspan et al.
 D699,522 S 2/2014 Wong
 8,783,785 B2 7/2014 Lehnert et al.
 D722,804 S* 2/2015 Kay D7/300.1
 D742,948 S 11/2015 Kenno et al.
 D742,949 S 11/2015 Kenno et al.

D747,936 S 1/2016 Chitayat et al.
 D756,173 S 5/2016 Decaris et al.
 9,458,607 B2 10/2016 Swope et al.
 D772,315 S* 11/2016 Friederichs D15/139
 D837,845 S 1/2019 Jones et al.
 D841,063 S* 2/2019 Friederichs D15/139
 D863,386 S 10/2019 Swope et al.
 D868,122 S 11/2019 Rose et al.
 10,711,529 B2* 7/2020 Rostvall E21B 10/633
 D920,401 S* 5/2021 Congdon D15/139
 11,098,584 B2* 8/2021 Congdon E02F 9/2866
 D938,999 S* 12/2021 Congdon D15/139
 2008/0036282 A1 2/2008 Hall et al.
 2010/0295360 A1 11/2010 Krämer et al.
 2010/0320003 A1 12/2010 Sollami et al.
 2011/0204702 A1 8/2011 Lehnert et al.
 2012/0104830 A1 5/2012 Monyak et al.
 2013/0002004 A1 1/2013 Greenspan et al.
 2015/0252670 A1 9/2015 Wachsmann et al.
 2018/0142432 A1 5/2018 Rostvall et al.
 2020/0157938 A1 5/2020 Congdon et al.

FOREIGN PATENT DOCUMENTS

CN 201763340 U 3/2011
 CN 103603663 U 2/2014
 CN 204082144 U 1/2015
 CN 107060753 U 8/2017
 DE 402017100855 10/2017

* cited by examiner

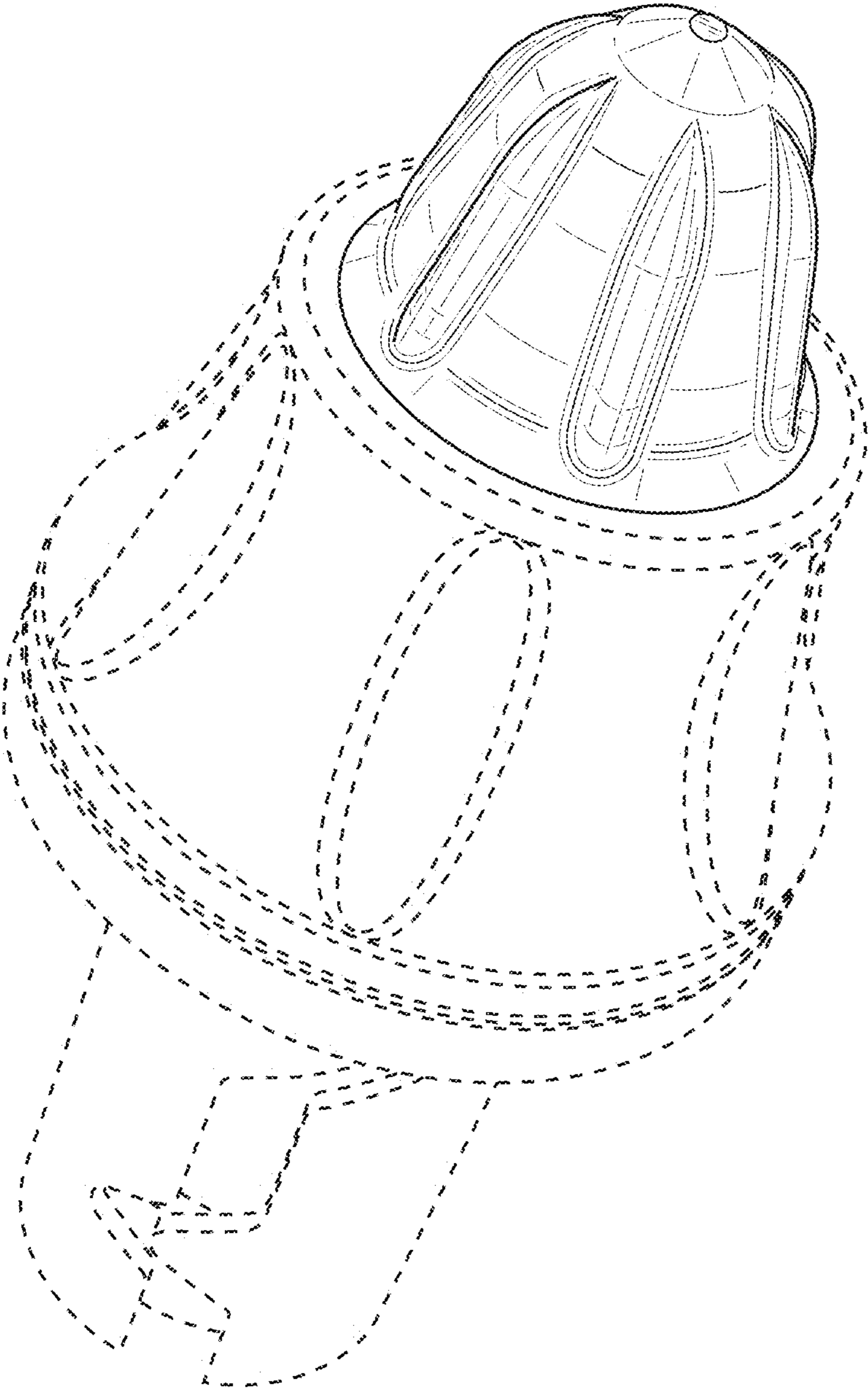


FIG. 1



FIG. 2

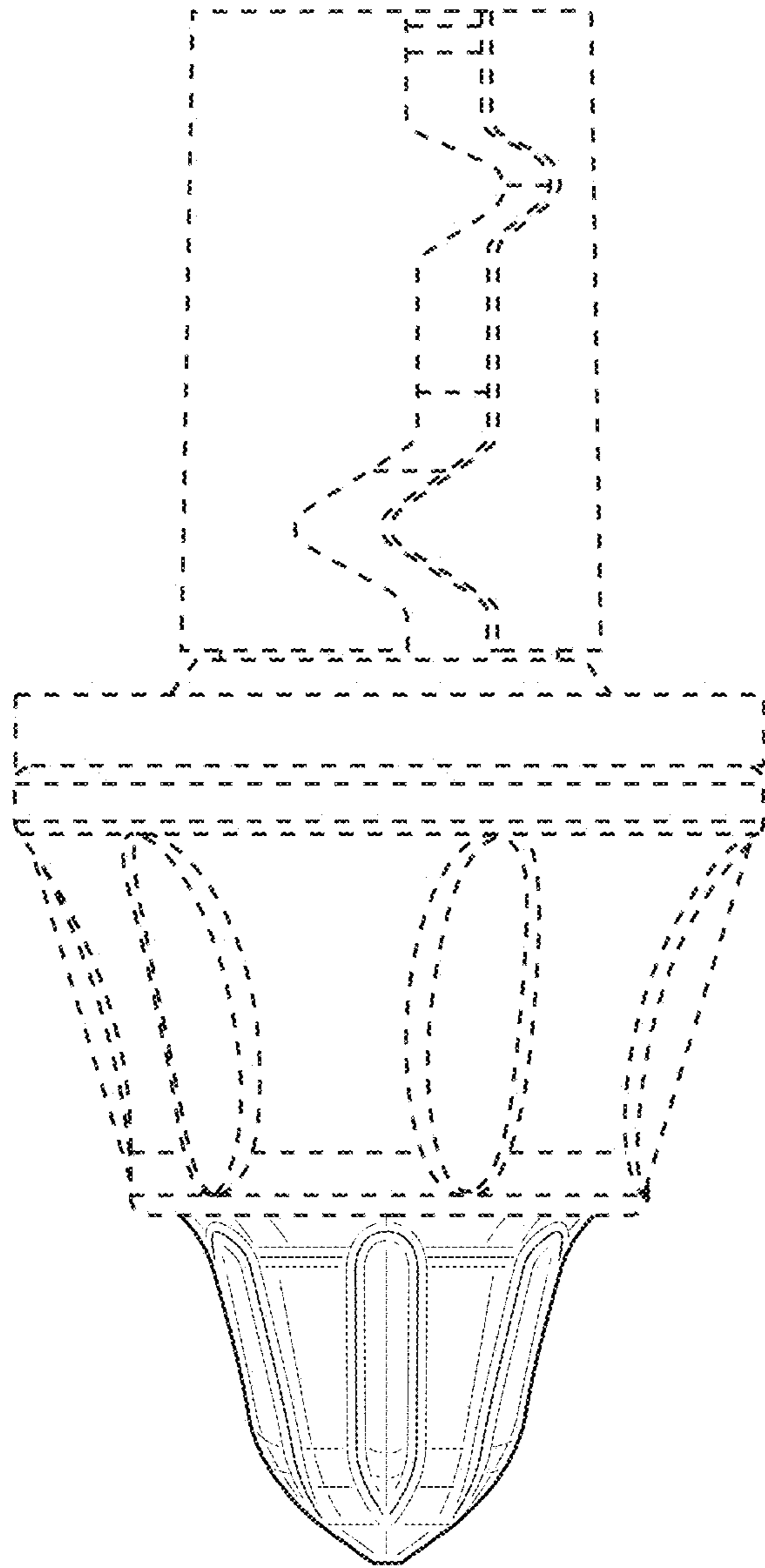


FIG. 3

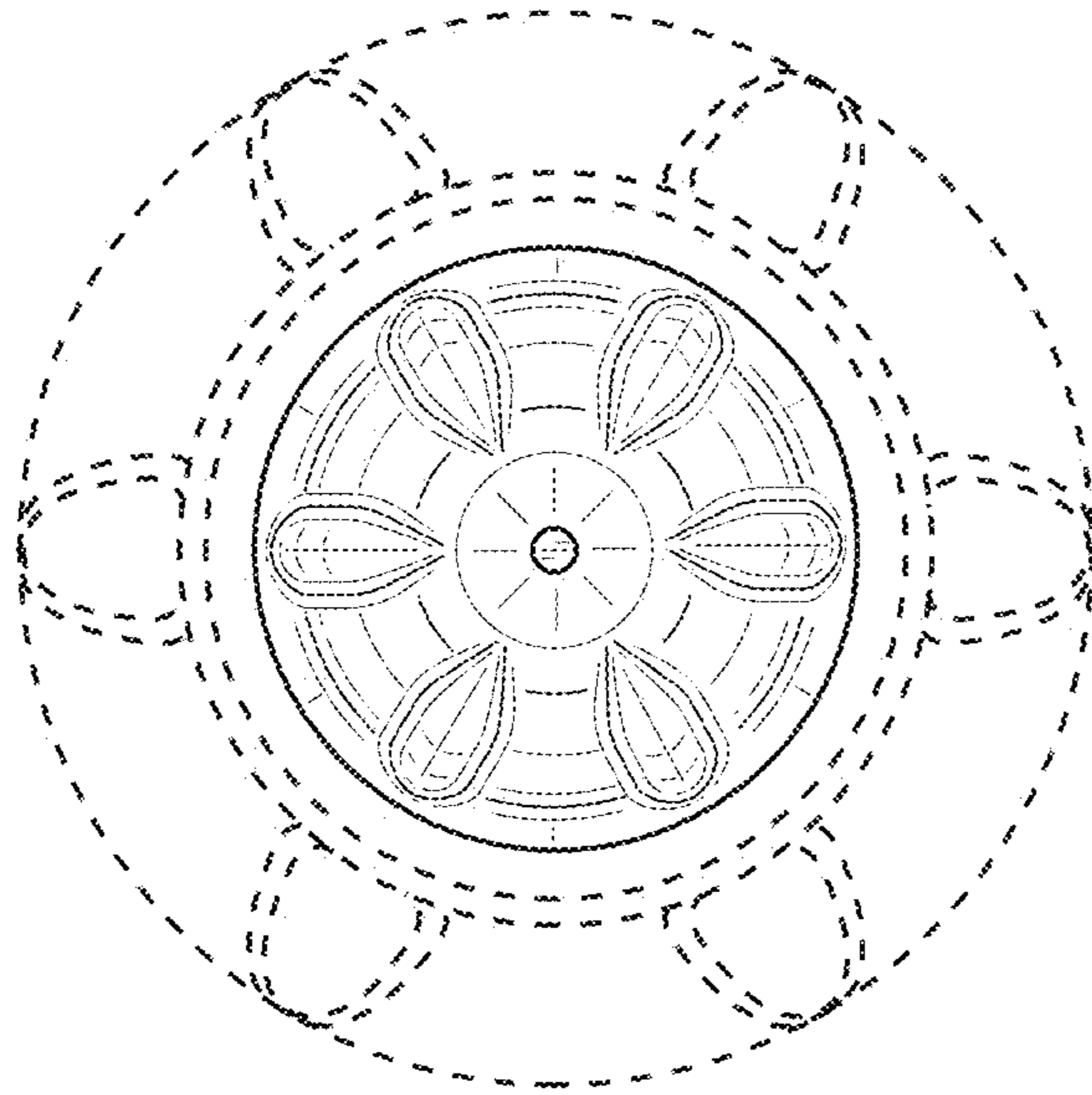


FIG. 4

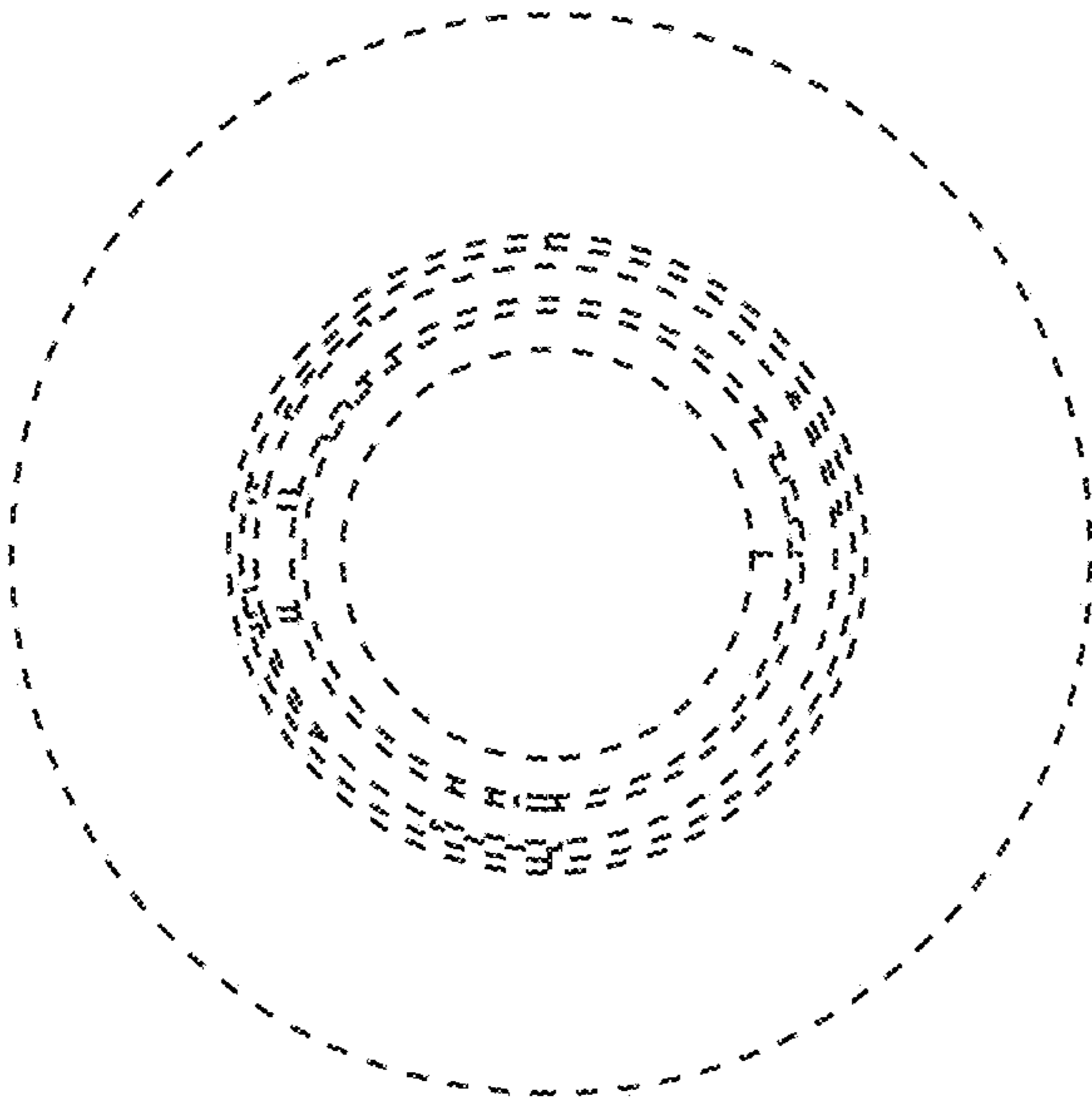


FIG. 5