



US00D963716S

(12) **United States Design Patent** (10) **Patent No.:** **US D963,716 S**
Shimamoto et al. (45) **Date of Patent:** **** Sep. 13, 2022**

(54) **CUTTING INSERT**

CPC B23C 2200/0411; B23C 2200/0416; B23C 2200/0433; B23C 2200/164; B23C 2200/361; B23C 2210/0457; B23C 5/006; B23C 2200/168; B23C 2210/163; B23C 2226/125; B23C 5/10; B23C 2200/081; B23C 2200/087; B23C 2200/161; B23C 2200/206; B23C 2210/02; B23C 2210/03;
(Continued)

(71) Applicants: **SUMITOMO ELECTRIC HARDMETAL CORP.**, Itami (JP);
HARTMETALL-WERKZEUGFABRIK PAUL HORN GMBH, Tuebingen (DE)

(72) Inventors: **Yosuke Shimamoto**, Itami (JP);
Yasuyuki Kanada, Itami (JP);
Matthias Luik, Reutlingen (DE)

(73) Assignees: **SUMITOMO ELECTRIC HARDMETAL CORP.**, Itami (JP);
HARTMETALL-WERKZEUGFABRIK PAUL HORN GMBH, Tuebingen (DE)

(**) Term: **15 Years**

(21) Appl. No.: **29/781,339**

(22) Filed: **Apr. 29, 2021**

Related U.S. Application Data

(62) Division of application No. 29/685,646, filed on Mar. 29, 2019, now Pat. No. Des. 931,916.

Foreign Application Priority Data

Oct. 1, 2018	(JP)	2018-021408
Oct. 1, 2018	(JP)	2018-021409
Oct. 1, 2018	(JP)	2018-021410
Oct. 1, 2018	(JP)	2018-021411
Oct. 1, 2018	(JP)	2018-021412
Oct. 1, 2018	(JP)	2018-021413
Oct. 1, 2018	(JP)	2018-021414
Oct. 1, 2018	(JP)	2018-021415

(51) **LOC (13) Cl.** **15-03**

(52) **U.S. Cl.**
USPC **D15/139**

(58) **Field of Classification Search**
USPC D15/124-144; D8/70, 90, 98, 120

(56) **References Cited**

U.S. PATENT DOCUMENTS

D710,409 S * 8/2014 Morrison D15/139
D822,079 S * 7/2018 Lee D15/139
(Continued)

Primary Examiner — Khawaja Anwar

(74) *Attorney, Agent, or Firm* — Faegre Drinker Biddle & Reath LLP

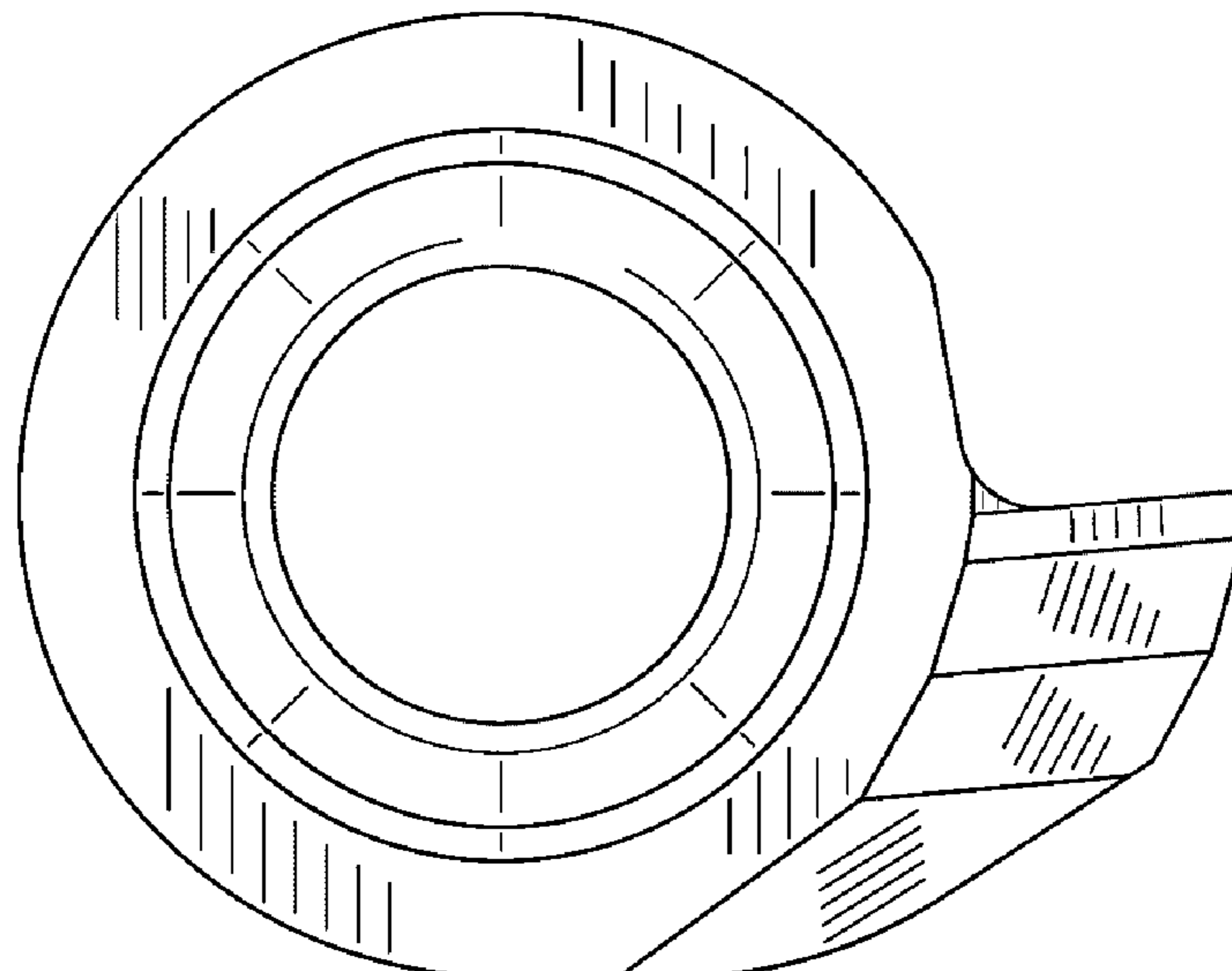
(57) **CLAIM**

The ornamental design for a cutting insert, as shown and described.

DESCRIPTION

FIG. 1 is a front view of a cutting insert of the present design;
FIG. 2 is a rear view thereof;
FIG. 3 is a right side view thereof;
FIG. 4 is a left side view thereof;
FIG. 5 is a top view thereof;
FIG. 6 is a bottom view thereof;
FIG. 7 is a first perspective view thereof;
FIG. 8 is a second perspective view thereof; and,
FIG. 9 is a referential perspective view showing the state in use of the cutting insert attached to the holder by fixing member, for cutting a work piece.
The broken lines in the referential perspective view depict unclaimed environmental subject matter.

1 Claim, 5 Drawing Sheets



(58) **Field of Classification Search**

CPC B23C 2210/166; B23C 2210/50; B23C
2226/315; B23C 5/2208; B23C 5/2472;
B23C 2200/0477; B23C 2200/0483;
B23C 2200/083; B23C 2200/121; B23C
2200/362; B23C 2210/0428; B23C
2210/0435; B23C 2210/16; B23C
2220/36; B23C 2220/44; B23C 2240/08;
B23C 2250/12; B23C 2270/06; B23C
5/2204; B23C 5/2213; B23C 5/2247;
B23C 5/2427; B23C 2200/0422; B23C
2200/08; B23C 2200/086; B23C
2200/123

See application file for complete search history.

(56) **References Cited**

U.S. PATENT DOCUMENTS

D824,437	S	*	7/2018	Fukuyama	D15/139
D834,626	S	*	11/2018	Sterner	D15/139
D845,360	S	*	4/2019	Kobayashi	D15/139
D847,883	S	*	5/2019	Kobayashi	D15/139
D865,823	S	*	11/2019	Abe	D15/139
D878,439	S	*	3/2020	Chen	D15/139

* cited by examiner

FIG. 1

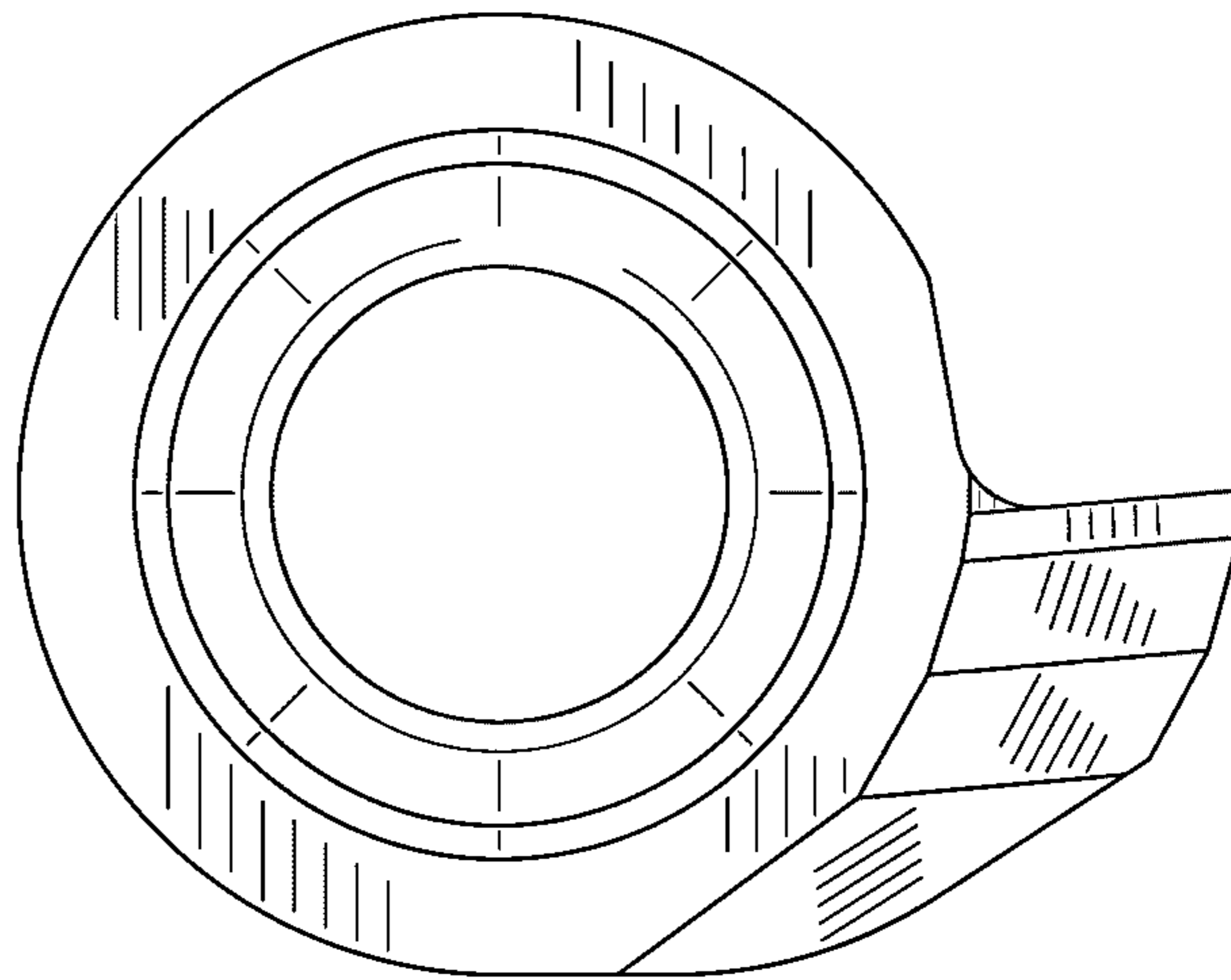


FIG. 2

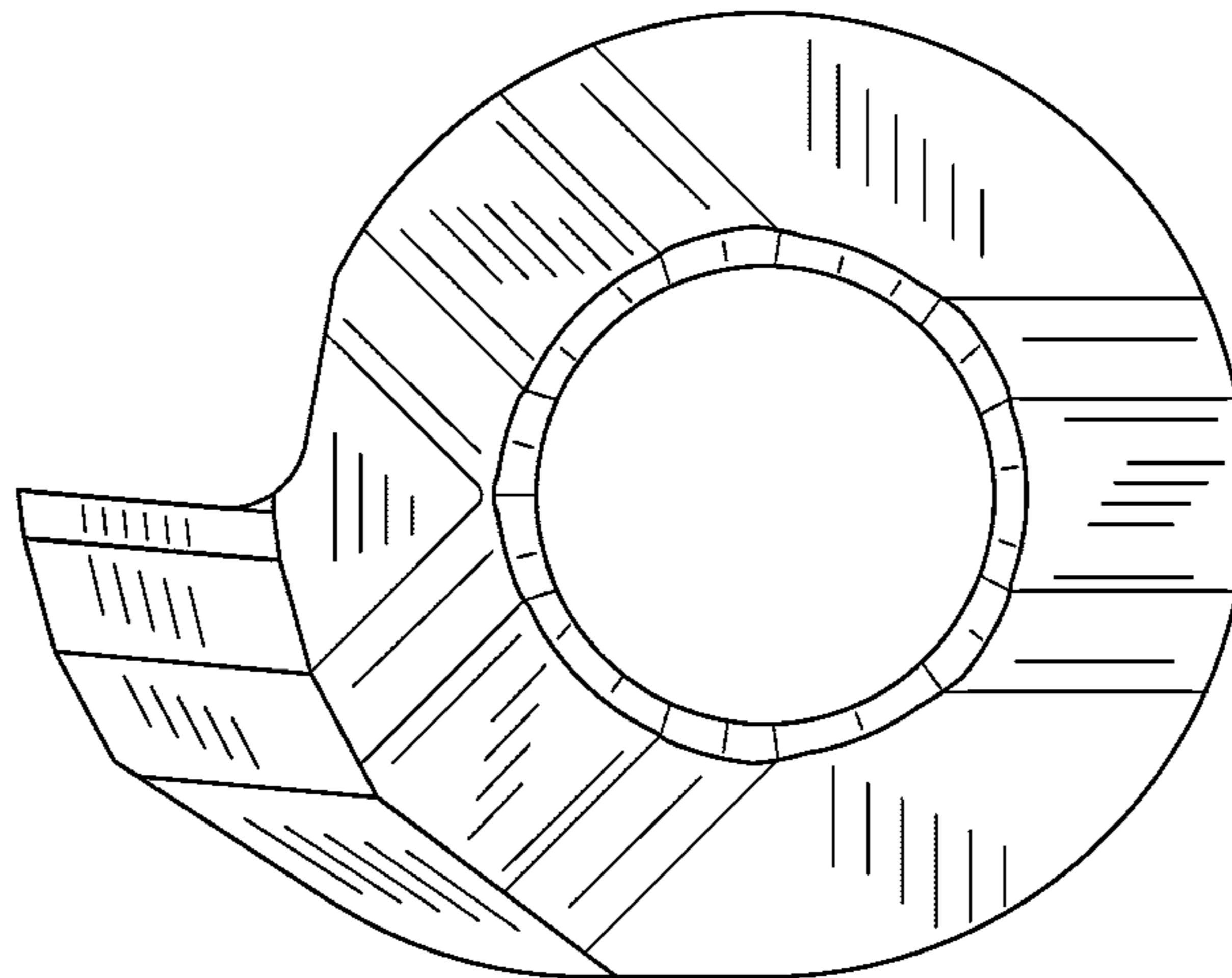


FIG. 3

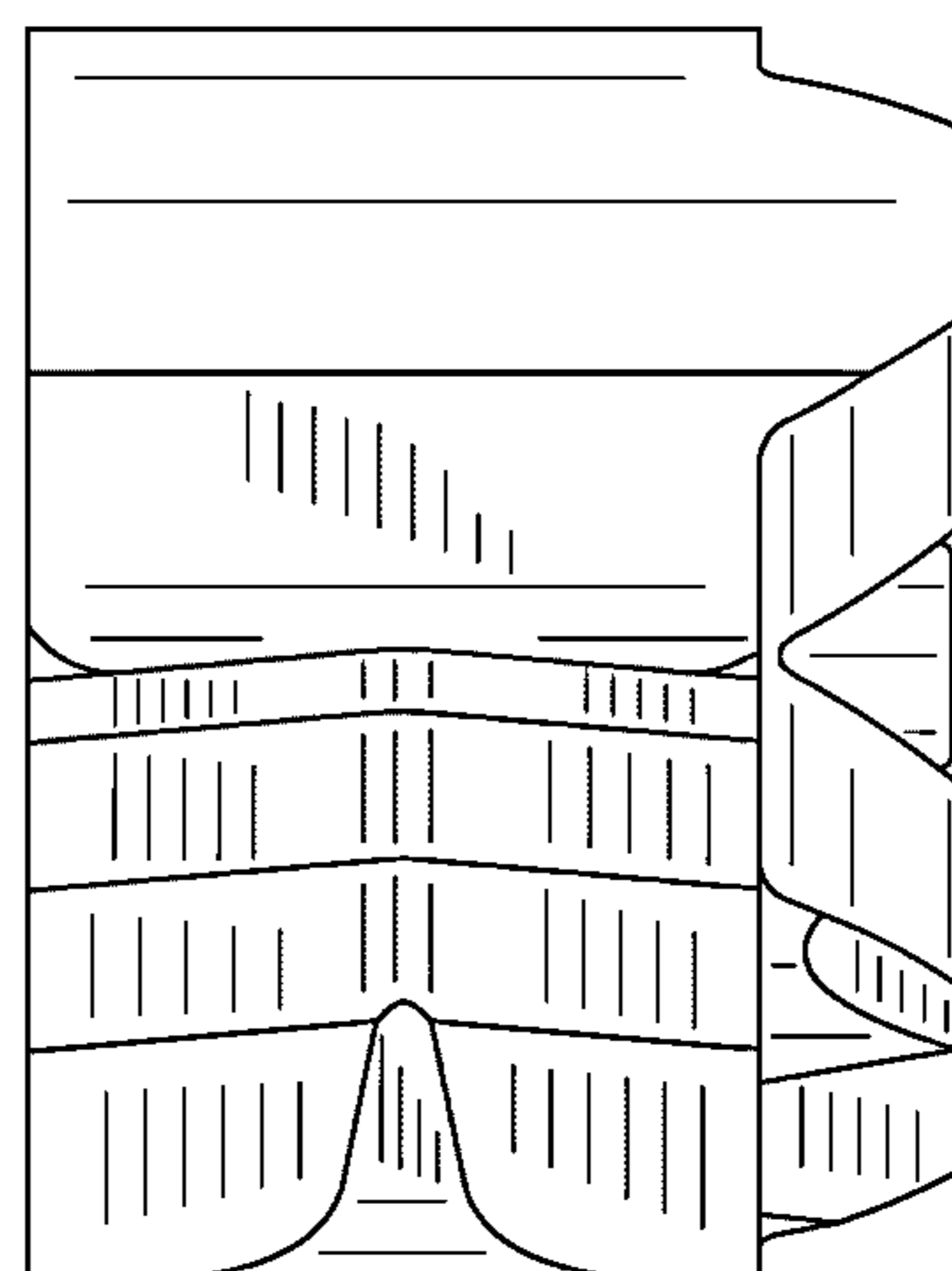


FIG. 4

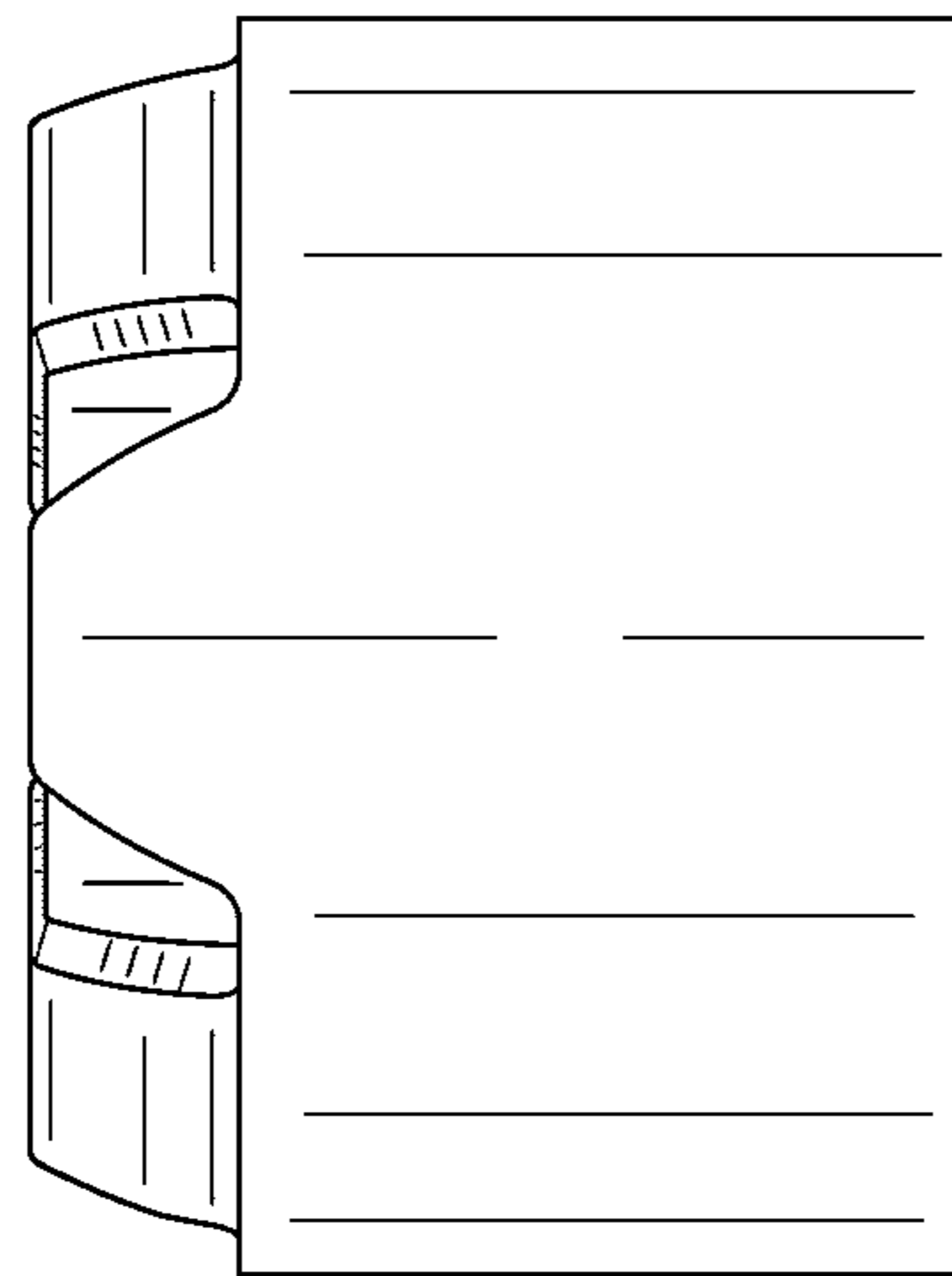


FIG. 5

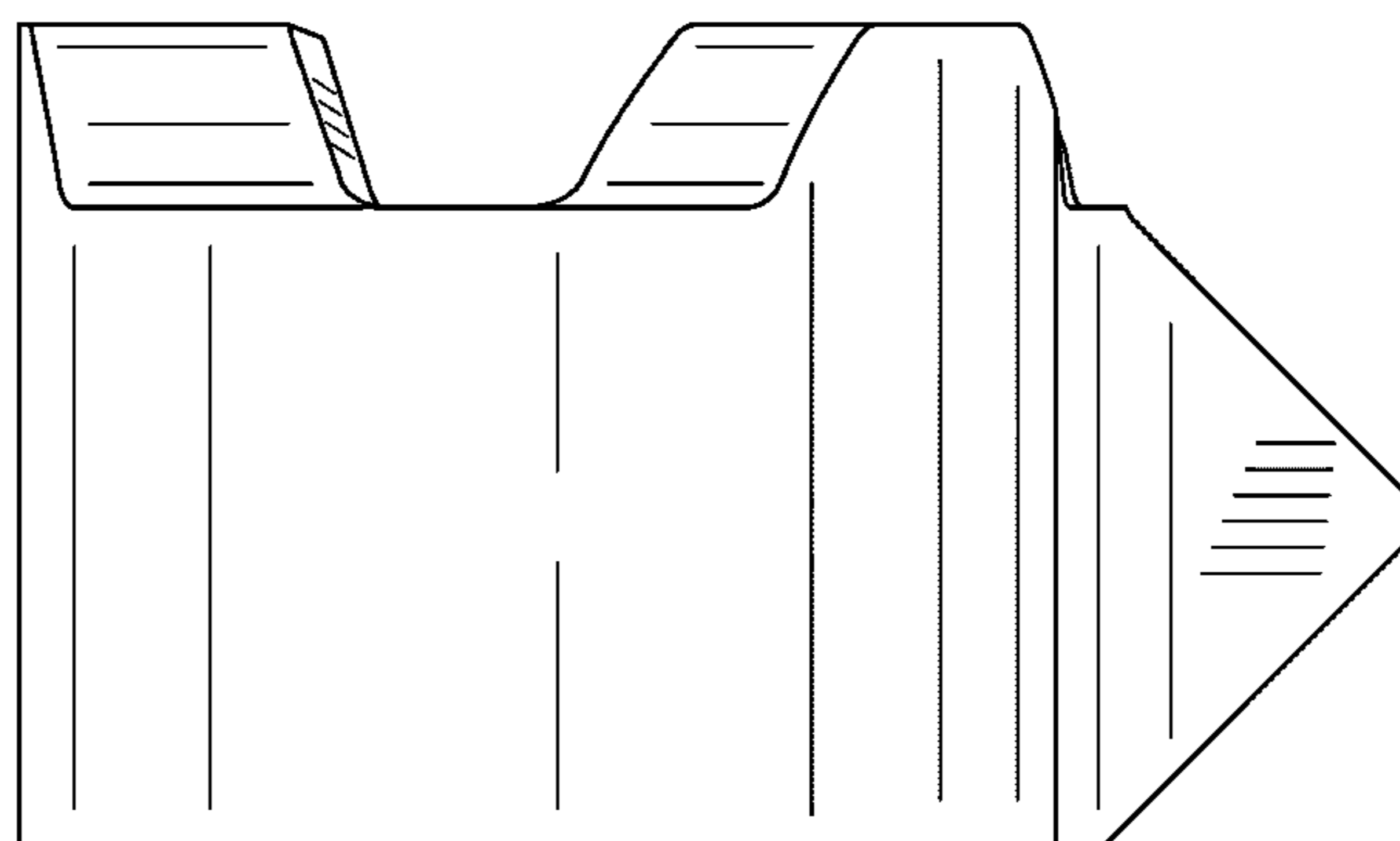


FIG. 6

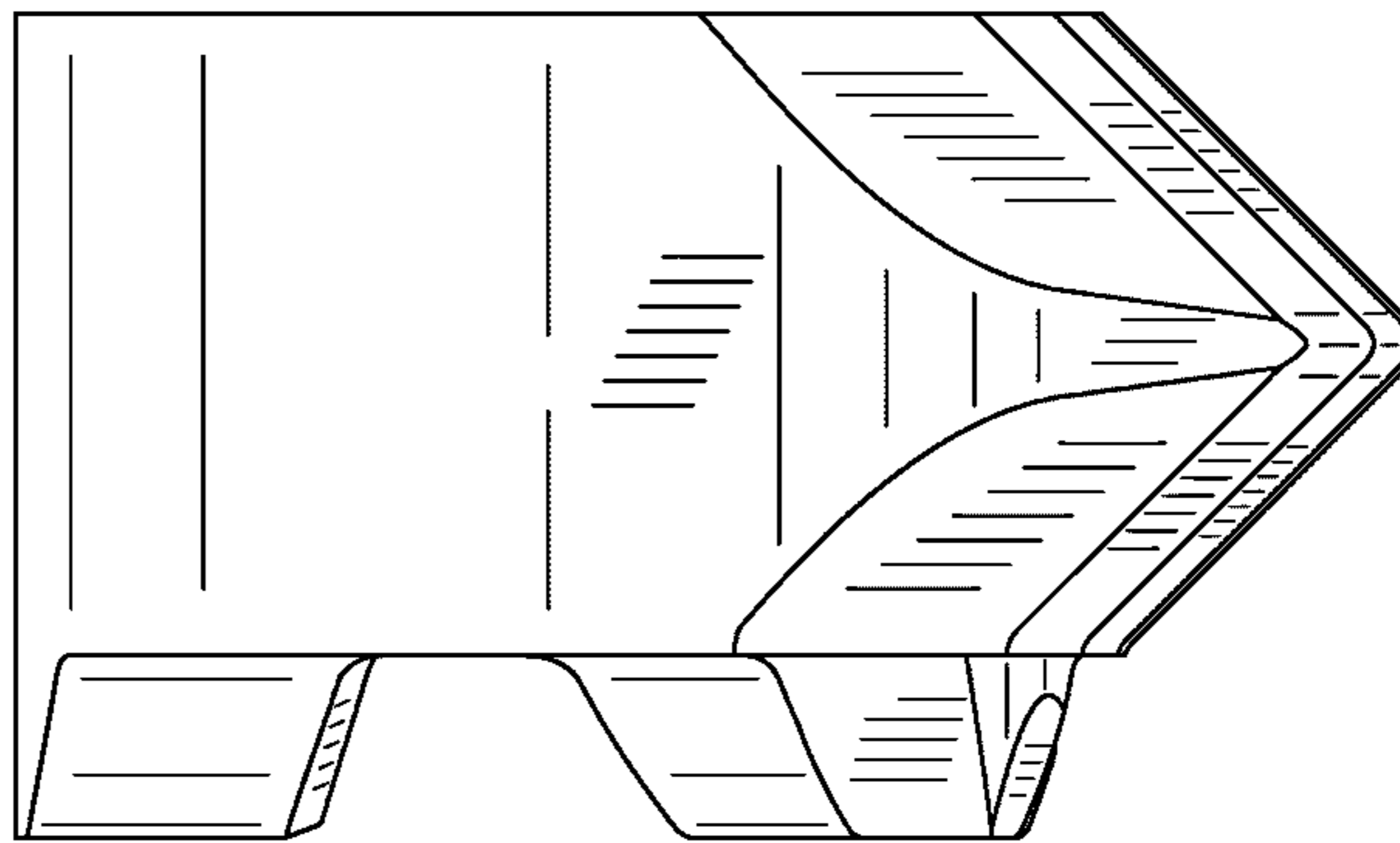


FIG. 7

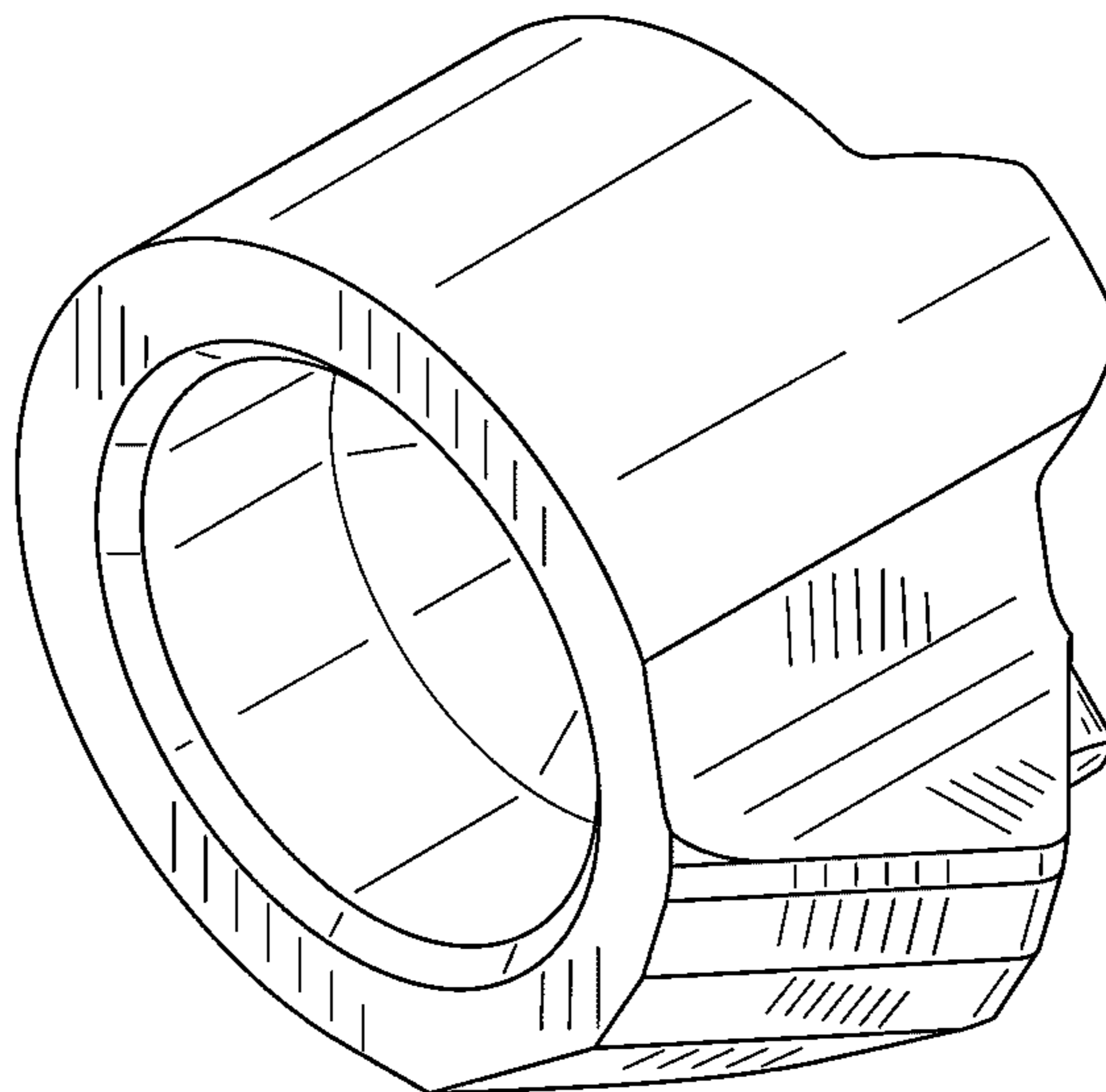


FIG. 8

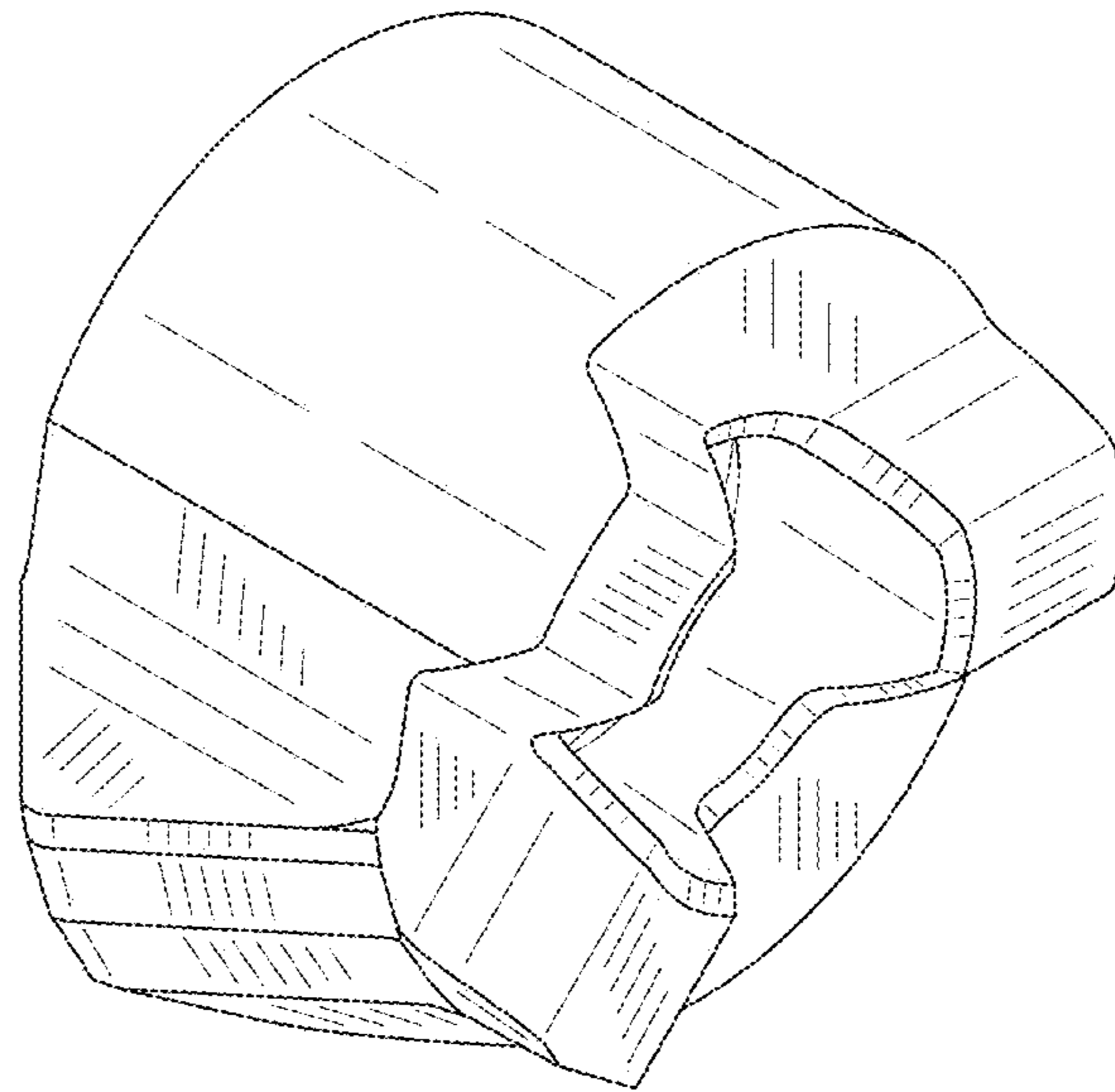


FIG. 9

