



US00D963715S

(12) **United States Design Patent** (10) **Patent No.:** **US D963,715 S**  
**Komazawa et al.** (45) **Date of Patent:** **\*\* Sep. 13, 2022**

(54) **FLUID SUPPLY DEVICE**

2019/0091820 A1\* 3/2019 Komazawa ..... B23Q 11/1084  
2019/0118197 A1\* 4/2019 Komazawa ..... B23Q 11/145  
2020/0261869 A1 8/2020 Komazawa et al.

(71) Applicant: **SIO CO., LTD.**, Hachioji (JP)

(72) Inventors: **Masuhiko Komazawa**, Hachioji (JP);  
**Masaru Ohki**, Hachioji (JP); **Shin Komazawa**, Hachioji (JP)

(73) Assignee: **SIO CO., LTD.**, Tokyo (JP)

(\*\*) Term: **15 Years**

(21) Appl. No.: **29/761,526**

(22) Filed: **Dec. 9, 2020**

(30) **Foreign Application Priority Data**

Jul. 8, 2020 (JP) ..... 2020-14023

(51) **LOC (13) Cl.** ..... **15-09**

(52) **U.S. Cl.**  
USPC ..... **D15/138**

(58) **Field of Classification Search**  
USPC ..... D15/5, 138, 139, 144, 144.1, 144.2  
CPC .. B05B 1/3447; B23Q 11/1084; Y10T 407/14  
See application file for complete search history.

(56) **References Cited**

**U.S. PATENT DOCUMENTS**

7,066,409 B2 6/2006 Negoro  
10,279,324 B2\* 5/2019 Komazawa ..... F16L 15/006  
10,668,438 B2\* 6/2020 Komazawa ..... B23Q 11/10  
11,000,865 B2\* 5/2021 Komazawa ..... B23Q 11/1084  
2015/0283628 A1\* 10/2015 Gamble ..... B23C 5/006  
407/11  
2018/0023600 A1 1/2018 Komazawa et al.

**FOREIGN PATENT DOCUMENTS**

JP 1182774 8/2003  
JP 6077627 2/2017  
JP 1589608 10/2017  
JP 1589614 10/2017  
JP 1593873 12/2017  
JP 2018183865 A \* 11/2018 ..... B01F 5/0612  
JP 2019076886 A \* 5/2019 ..... B05B 1/3447  
JP 2021058877 A \* 4/2021 ..... B01F 3/04503  
JP 2021058998 A \* 4/2021 ..... B01F 3/04503  
JP 2021084068 A \* 6/2021

\* cited by examiner

*Primary Examiner* — Ania Aman

(74) *Attorney, Agent, or Firm* — Cozen O'Connor

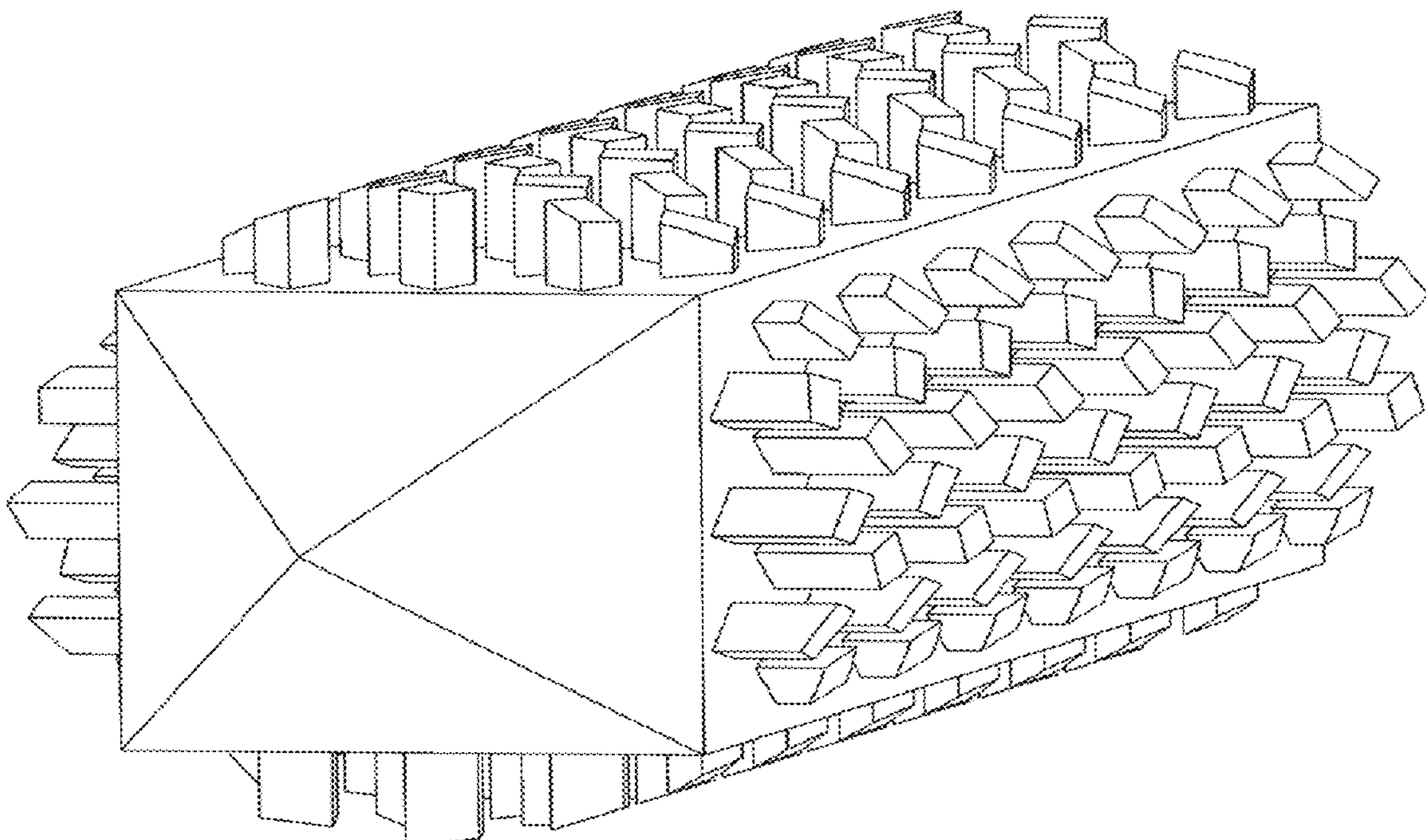
(57) **CLAIM**

The ornamental design for a fluid supply device, as shown and described.

**DESCRIPTION**

FIG. 1 is a front view of the fluid supply device;  
FIG. 2 is a rear view of the fluid supply device;  
FIG. 3 is a left side end view of FIG. 1;  
FIG. 4 is a right side end view of FIG. 1;  
FIG. 5 is a top plan view thereof;  
FIG. 6 is a bottom view thereof;  
FIG. 7 is a perspective view of the left side of the fluid supply device of FIG. 1; and,  
FIG. 8 is a perspective view of the right side of the fluid supply device of FIG. 1.

**1 Claim, 4 Drawing Sheets**



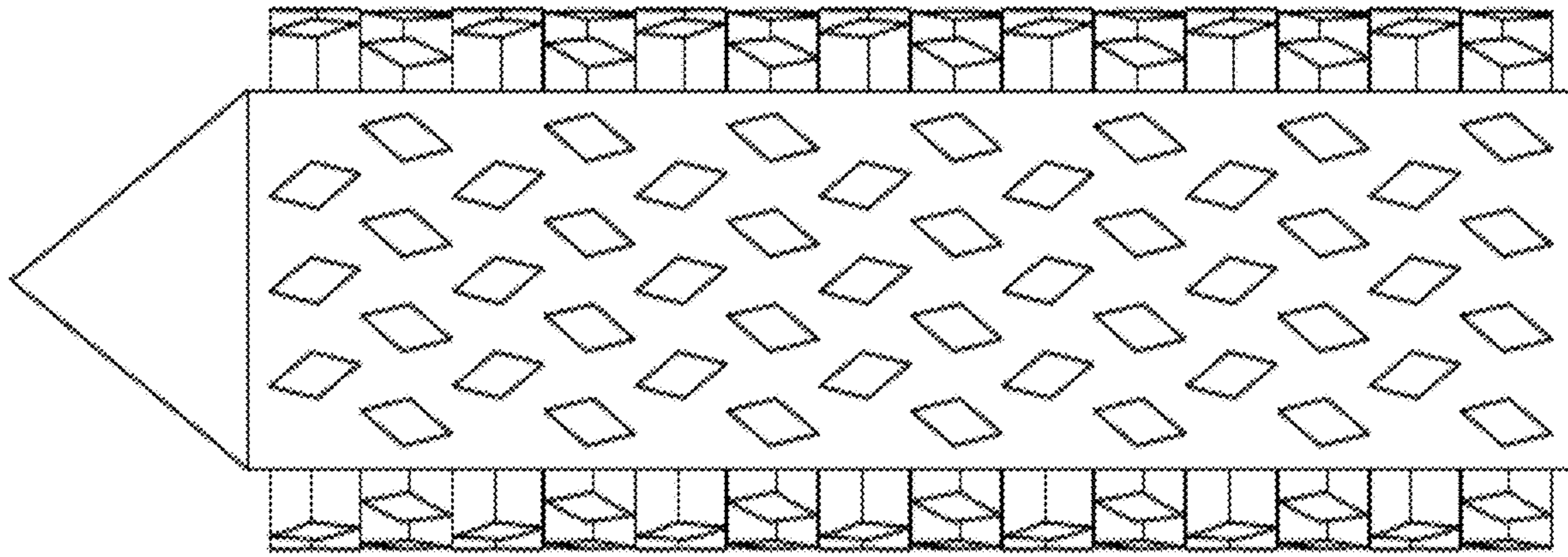


Fig. 1

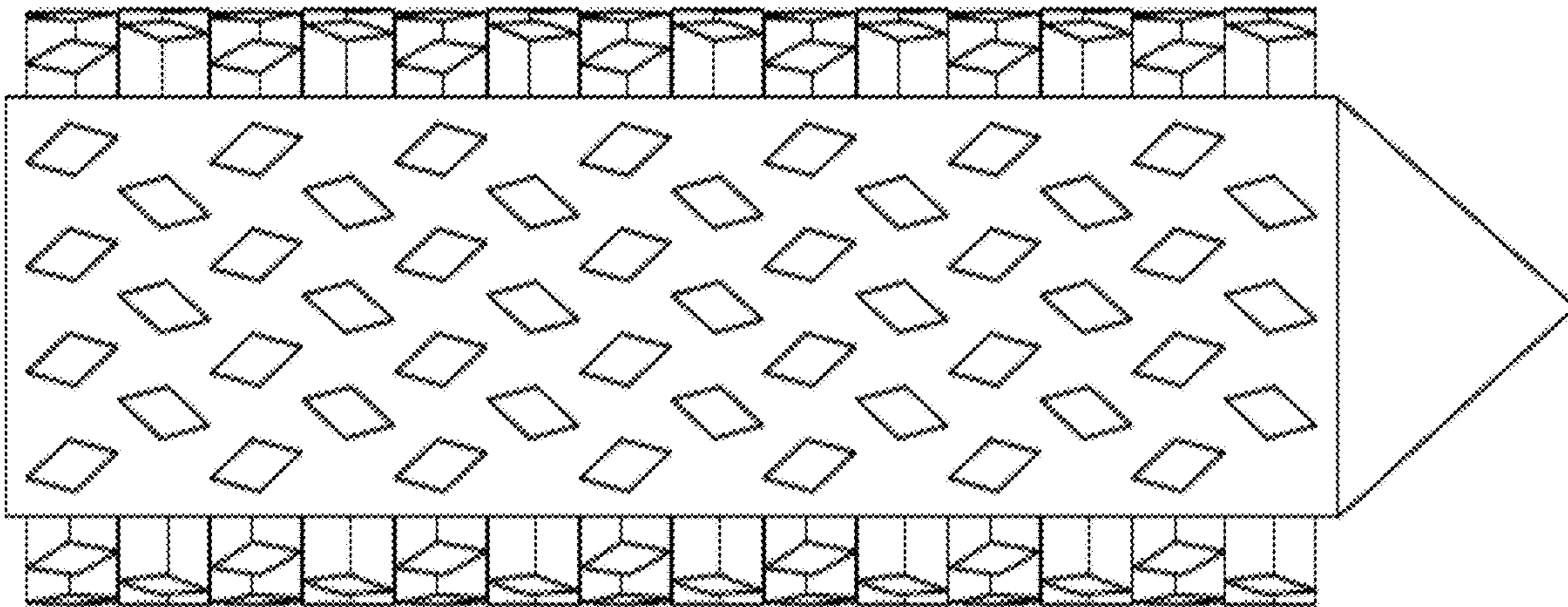


Fig. 2



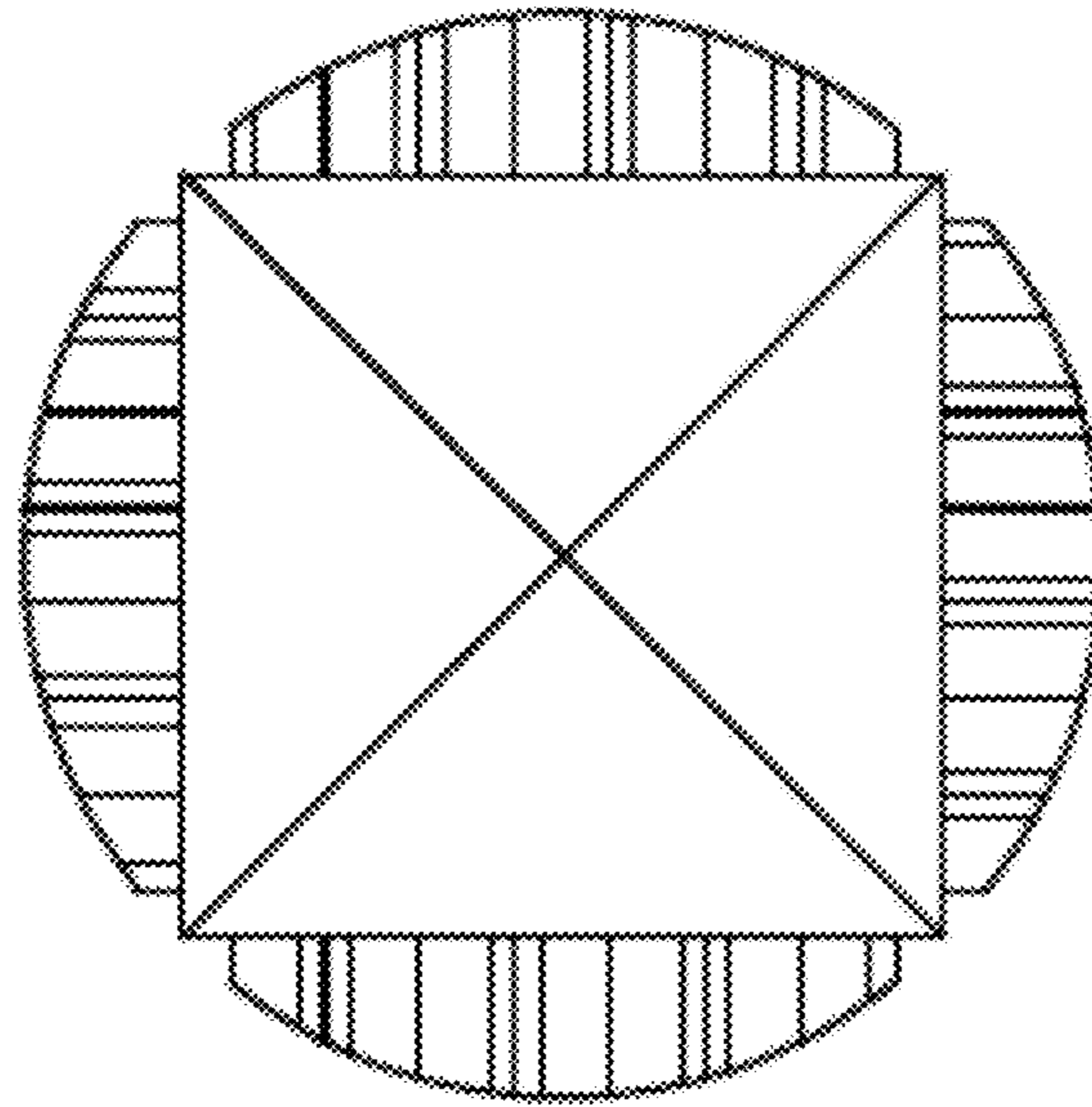


Fig. 3

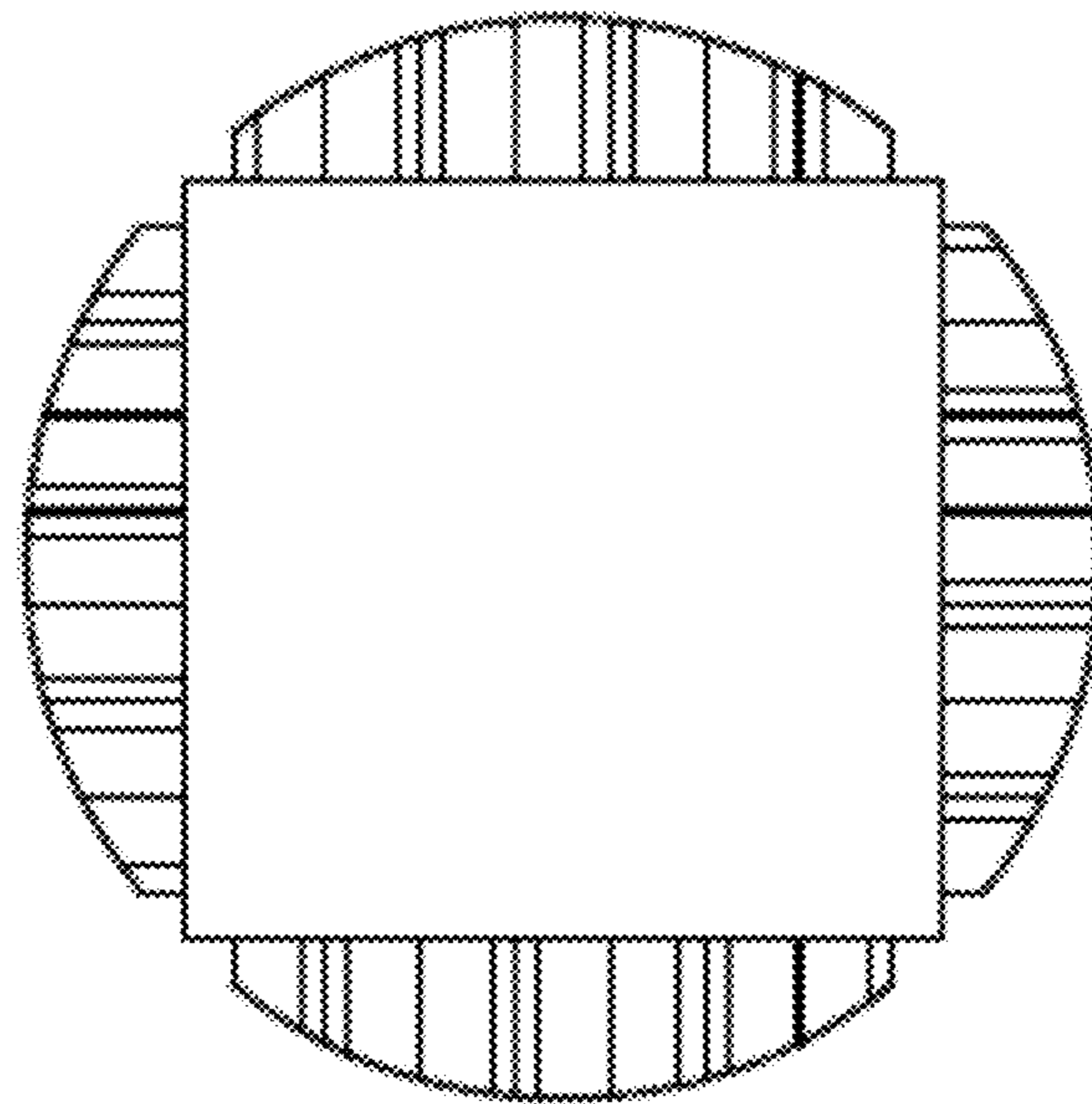


Fig. 4

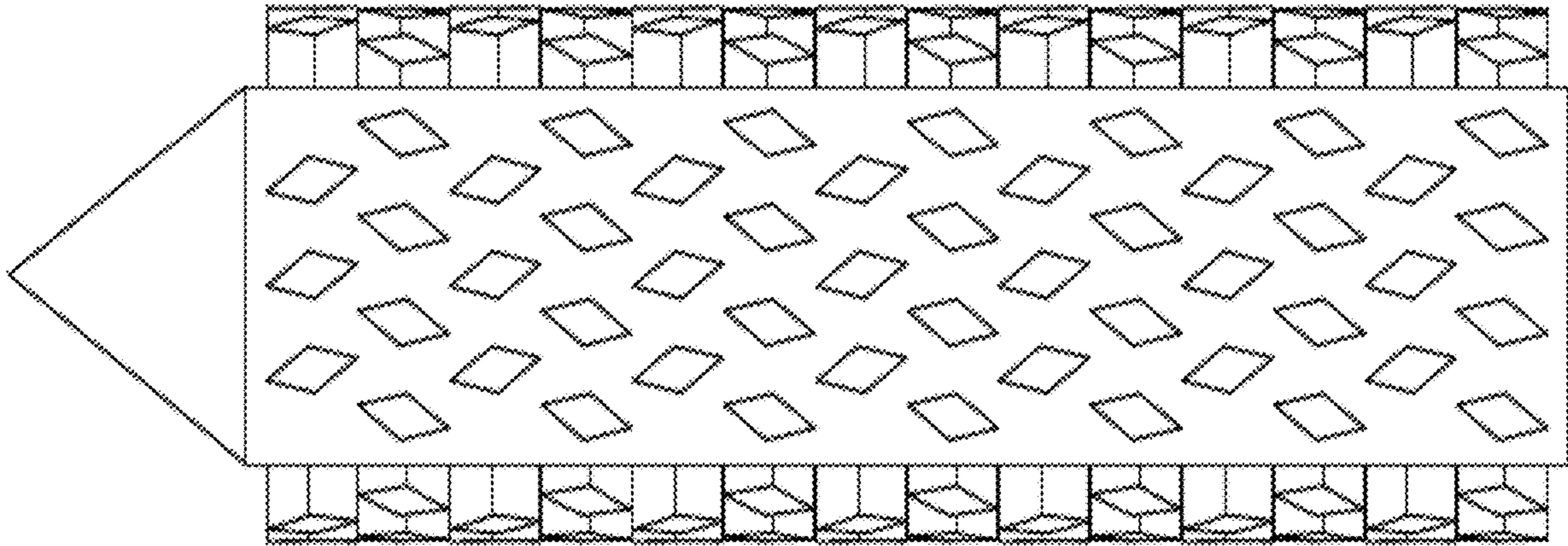


Fig. 5

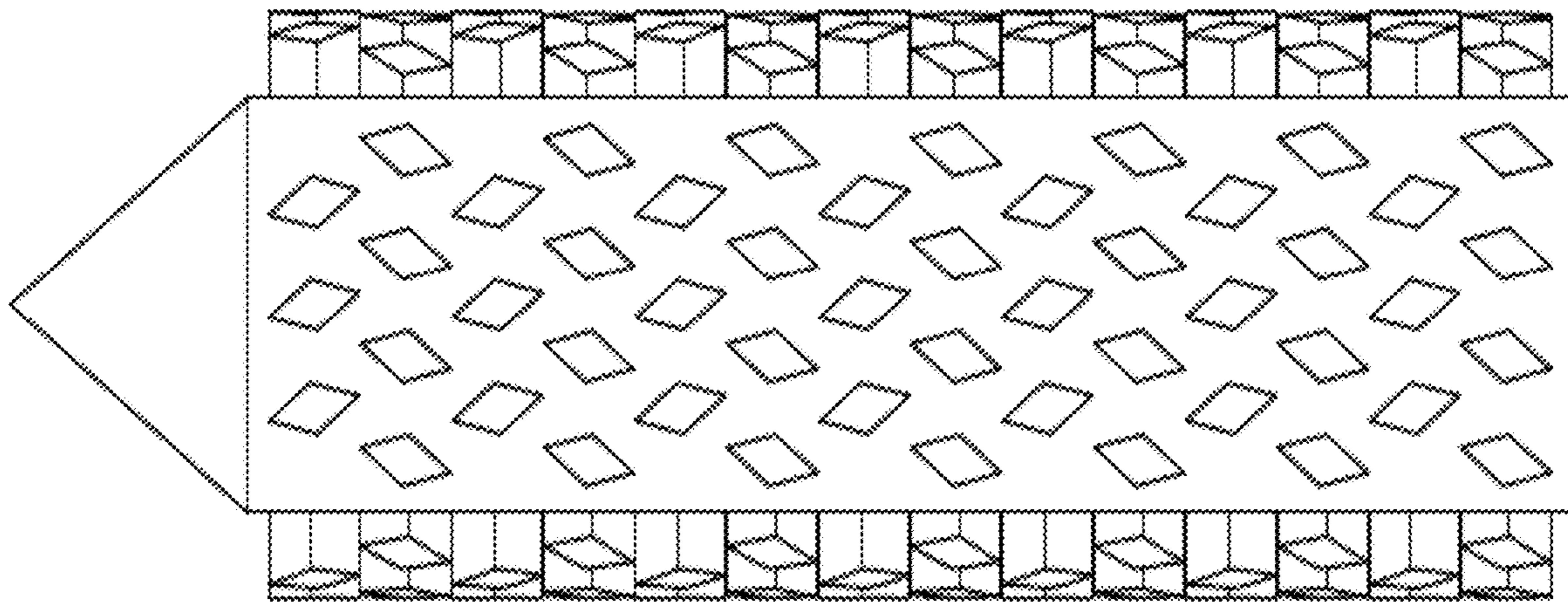


Fig. 6



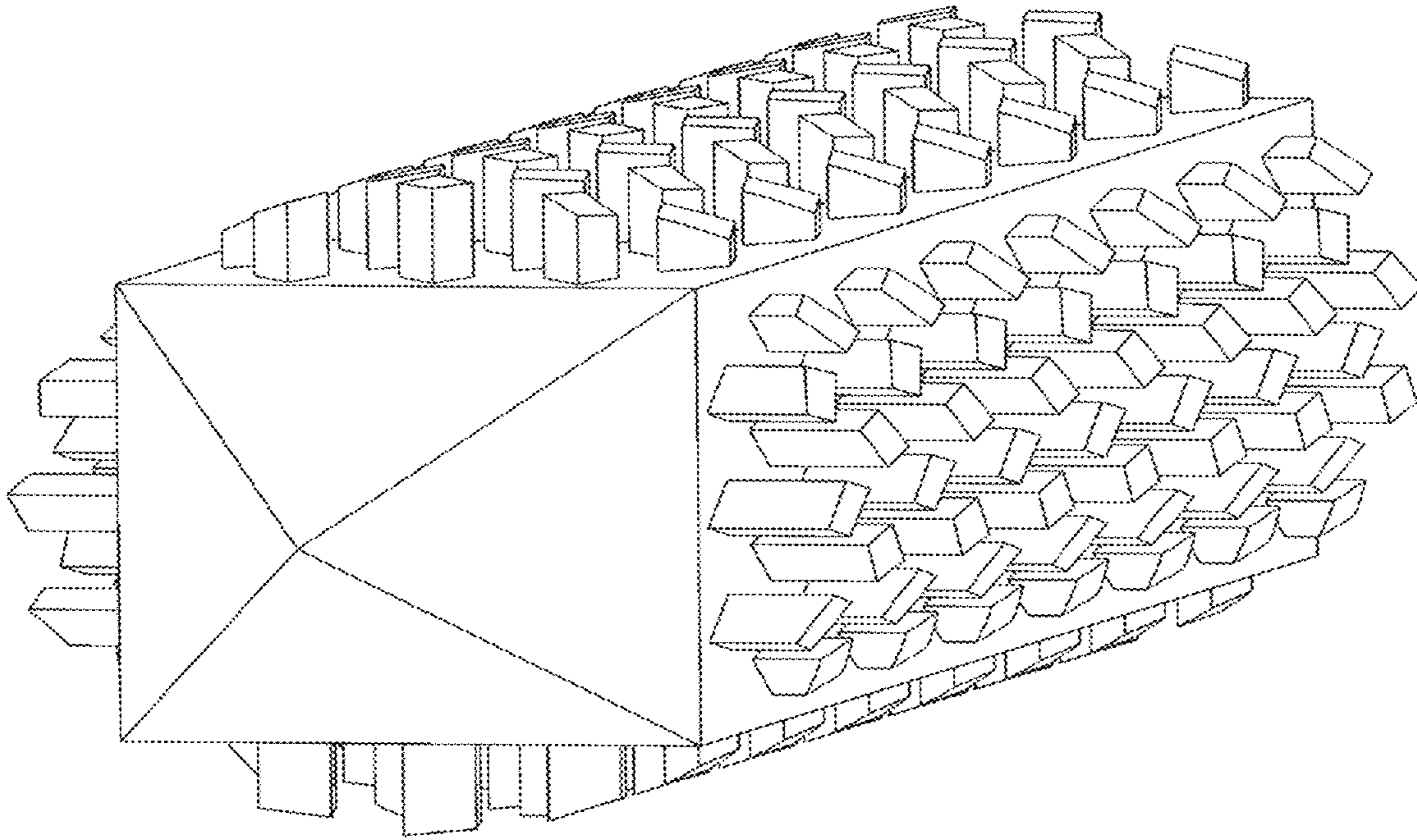


Fig. 7

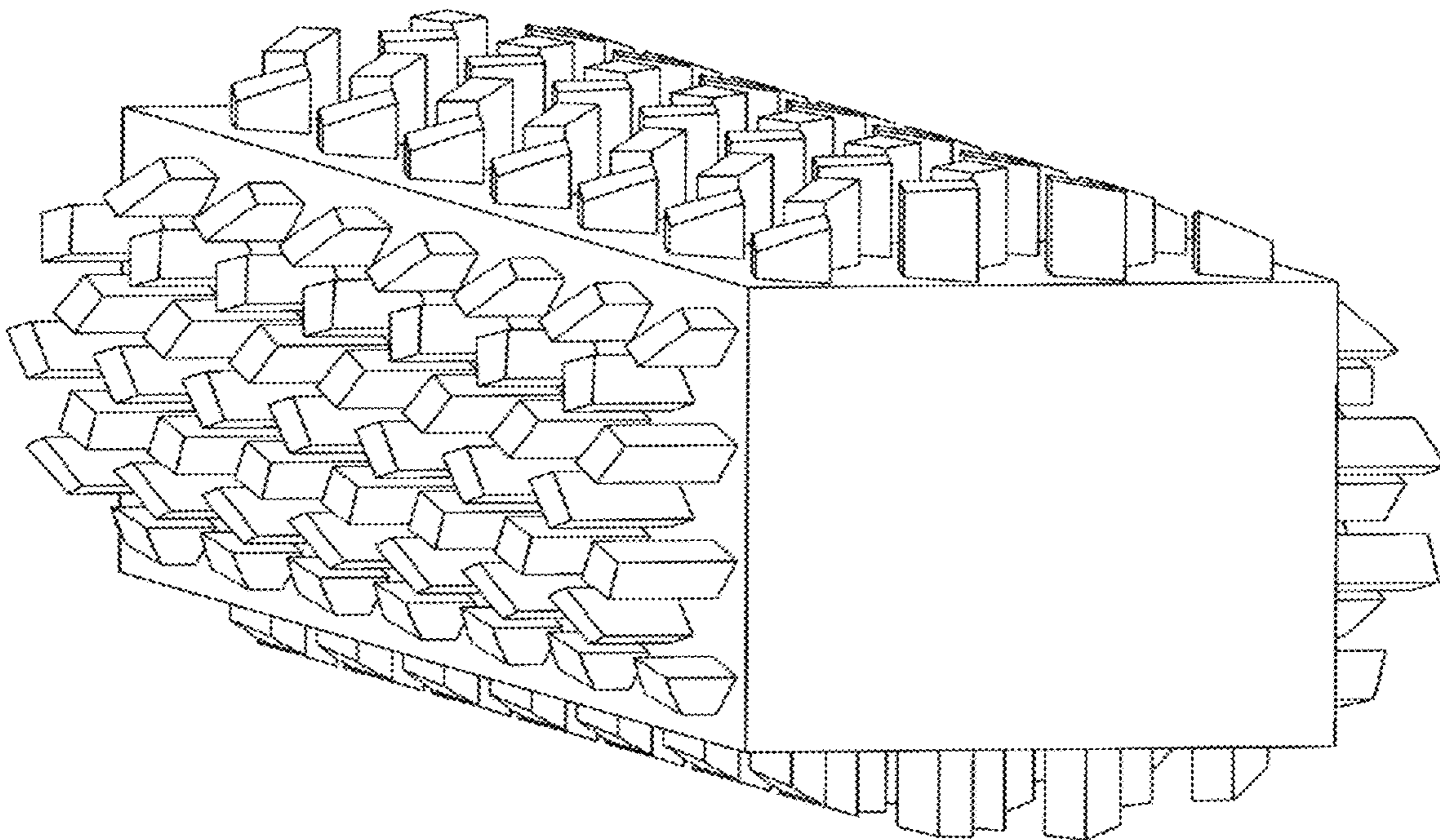


Fig. 8