



US00D963714S

(12) **United States Design Patent** (10) **Patent No.:** **US D963,714 S**  
**Skillicorn** (45) **Date of Patent:** **\*\* Sep. 13, 2022**

(54) **FENCE**  
(71) Applicant: **Woodpeckers, LLC**, Strongsville, OH (US)  
(72) Inventor: **Gregory L. Skillicorn**, Akron, OH (US)  
(73) Assignee: **WOODPECKERS, LLC**, Strongsville, OH (US)  
(\*\*) Term: **15 Years**  
(21) Appl. No.: **29/768,758**  
(22) Filed: **Feb. 1, 2021**  
(51) **LOC (13) Cl.** ..... **15-09**  
(52) **U.S. Cl.**  
USPC ..... **D15/133**  
(58) **Field of Classification Search**  
USPC .... D8/71, 72, 354; D15/133, 138, 140, 143;  
D25/38.1, 39, 164  
CPC ..... E01F 15/086; E01F 15/10; F16B 21/12;  
B27B 27/08; B23D 45/044  
See application file for complete search history.

(56) **References Cited**  
U.S. PATENT DOCUMENTS  
4,498,660 A \* 2/1985 Brema ..... E04H 17/1404  
D25/138  
D298,040 S \* 10/1988 Legler ..... D15/138  
D387,782 S \* 12/1997 Letendre ..... D15/138  
D415,177 S \* 10/1999 Miller ..... D15/133  
D449,318 S \* 10/2001 Schoene ..... D15/133  
D554,672 S \* 11/2007 Welsh ..... D15/133  
D555,804 S \* 11/2007 Christensen ..... D25/164  
D646,541 S \* 10/2011 Andresen ..... D15/140  
8,167,512 B2 \* 5/2012 Christensen ..... E01F 13/022  
404/9

8,808,600 B1 \* 8/2014 Christensen ..... E01F 15/086  
264/328.8  
D796,561 S \* 9/2017 Andrews, III ..... D15/133  
2007/0098490 A1 \* 5/2007 Christensen ..... E01F 15/086  
404/6

(Continued)

**FOREIGN PATENT DOCUMENTS**

CA 97013 \* 11/2002

**OTHER PUBLICATIONS**

DP-Pro Drill Press Table System Woodpeckers YouTube <https://www.youtube.com/watch?v=oD6TOny1FEw> Jun. 2, 2020 (Year: 2020).\*

(Continued)

*Primary Examiner* — Leanne Was-Englehart  
(74) *Attorney, Agent, or Firm* — Sand, Sebolt & Wernow Co., LPA

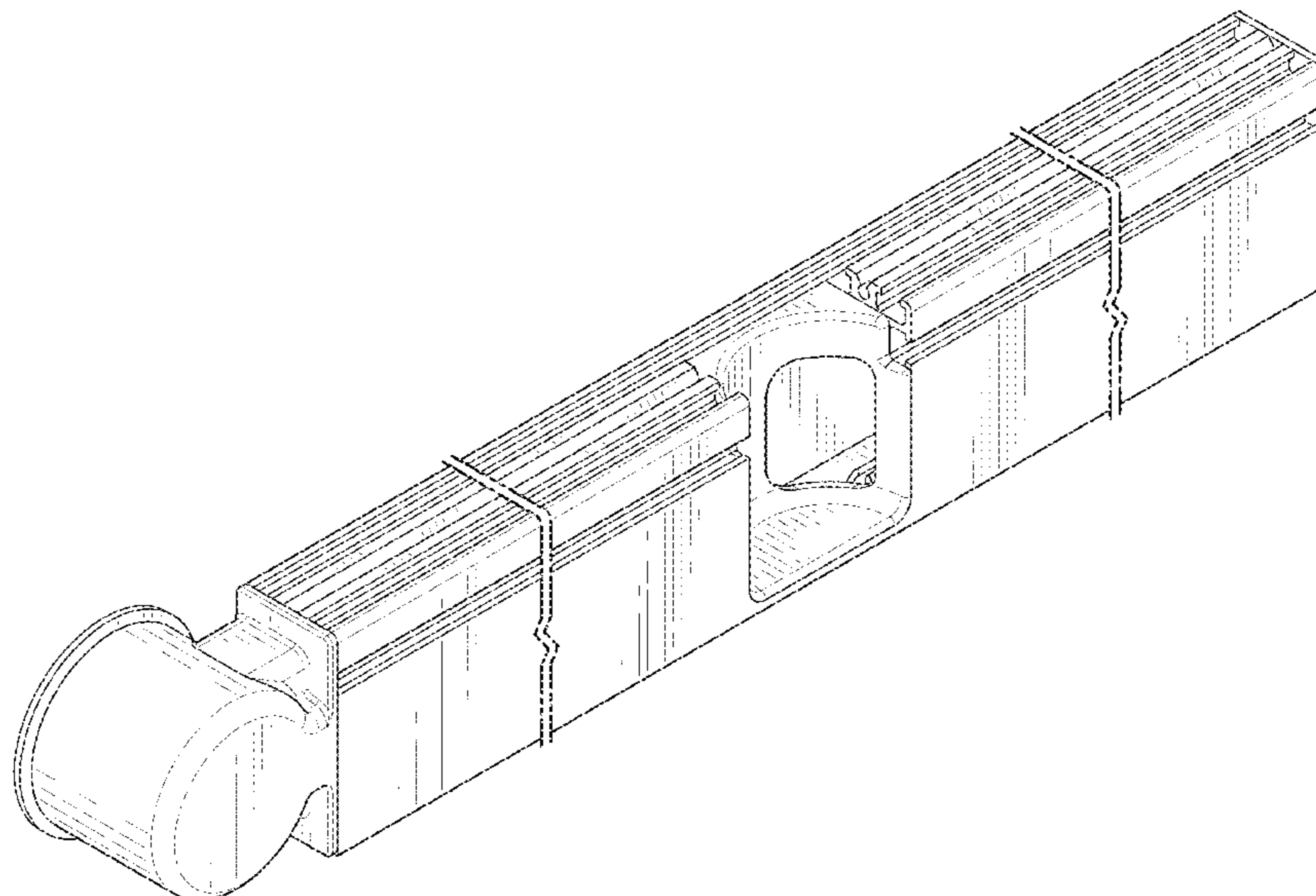
(57) **CLAIM**

The ornamental design for a fence, as shown and described.

**DESCRIPTION**

FIG. 1 is a front top left side isometric perspective view of a fence in accordance with my design;  
FIG. 2 is a rear top left side isometric perspective view thereof;  
FIG. 3 is a front elevation view thereof;  
FIG. 4 is a rear elevation view thereof;  
FIG. 5 is a top plan view thereof;  
FIG. 6 is a bottom plan view thereof;  
FIG. 7 is a right side elevation view thereof;  
FIG. 8 is a left side elevation view thereof; and,  
FIG. 9 is a cross-section of the fence shown in the direction of line 9-9 of FIG. 3.  
The dot-dot-dash broken lines depict a symbolic break in the fence.  
The dash-dash broken lines illustrate portions of the fence which form no part of the claimed design.

**1 Claim, 6 Drawing Sheets**



(56)

**References Cited**

U.S. PATENT DOCUMENTS

2011/0150569 A1\* 6/2011 Christensen ..... E01F 13/022  
404/9  
2014/0208912 A1\* 7/2014 Wang ..... B27B 25/10  
83/444  
2021/0129372 A1\* 5/2021 Shaw ..... B27B 27/08  
2021/0283798 A1\* 9/2021 Haller ..... B27B 27/08

OTHER PUBLICATIONS

DP-Pro Drill Press Table [https://web.archive.org/web/20201001193352/  
https://www.woodpeck.com/dp-pro-drill-press-table.html](https://web.archive.org/web/20201001193352/https://www.woodpeck.com/dp-pro-drill-press-table.html) Oct. 1, 2020  
(Year: 2020).\*

\* cited by examiner

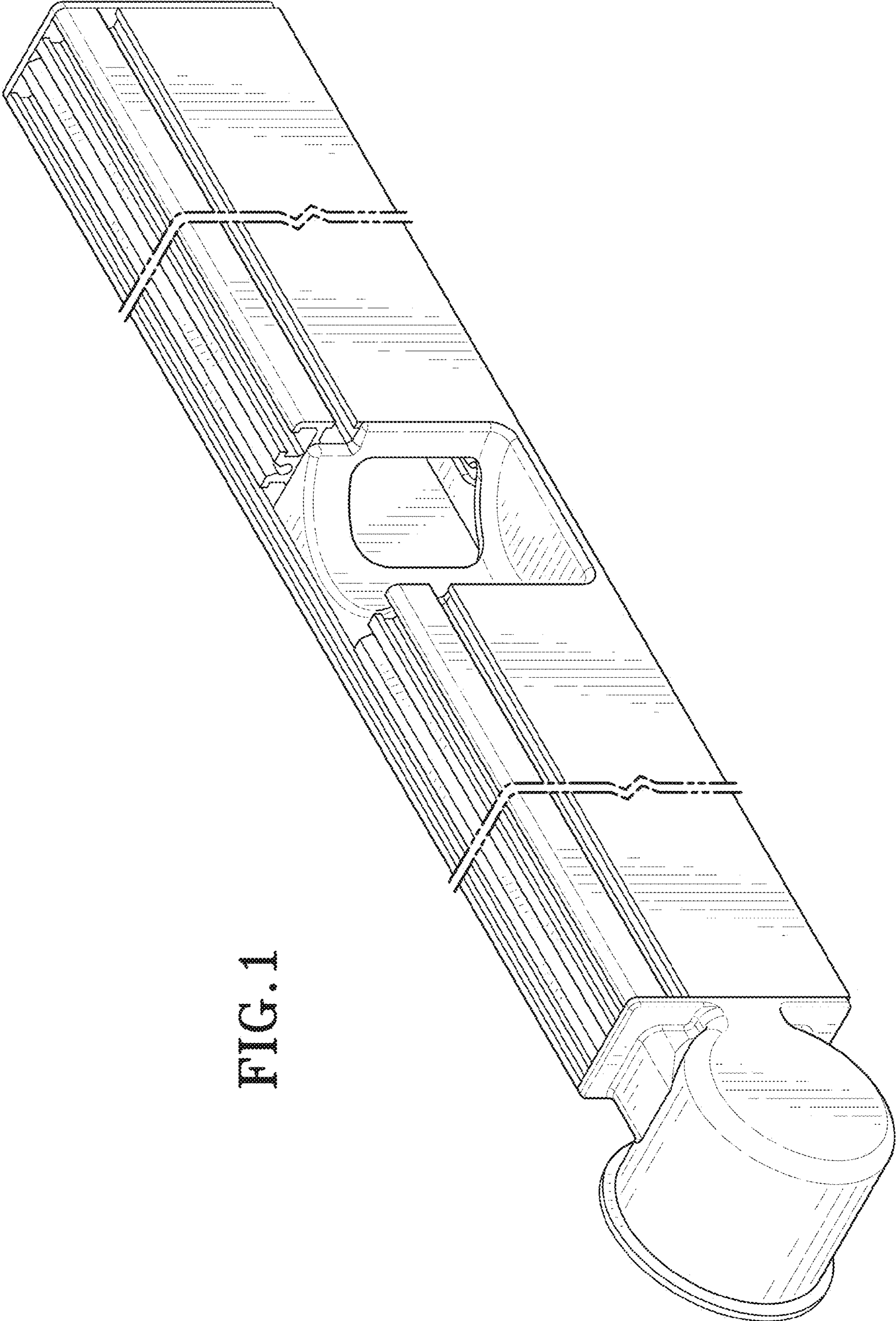


FIG. 1



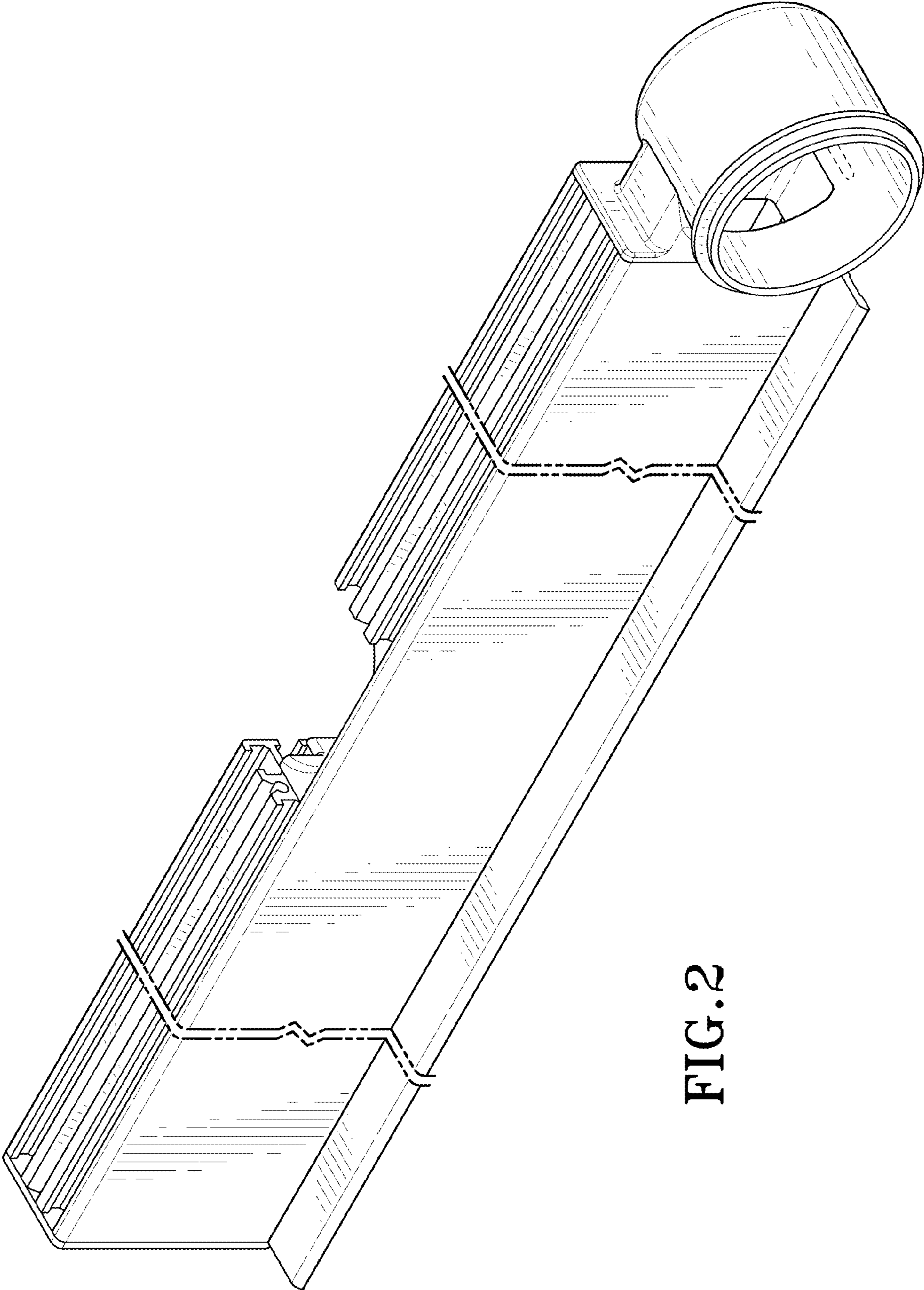
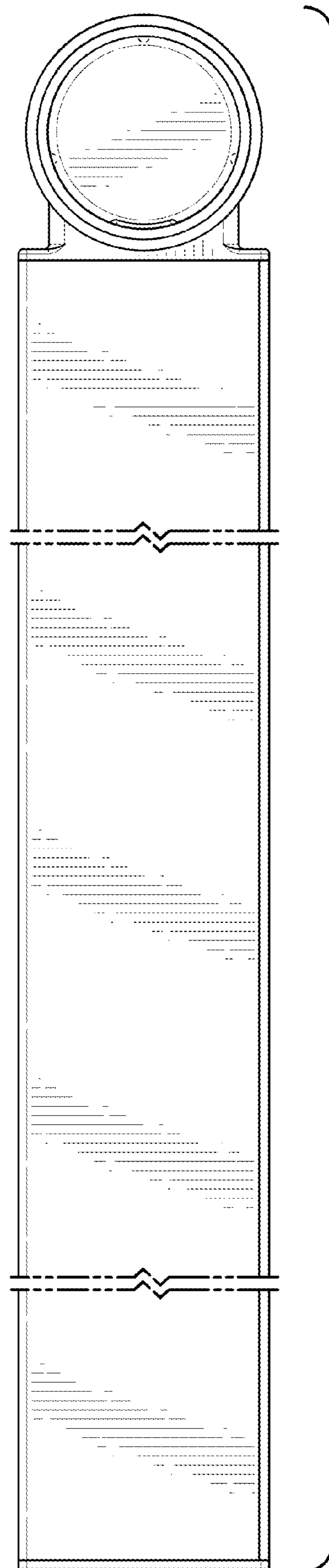
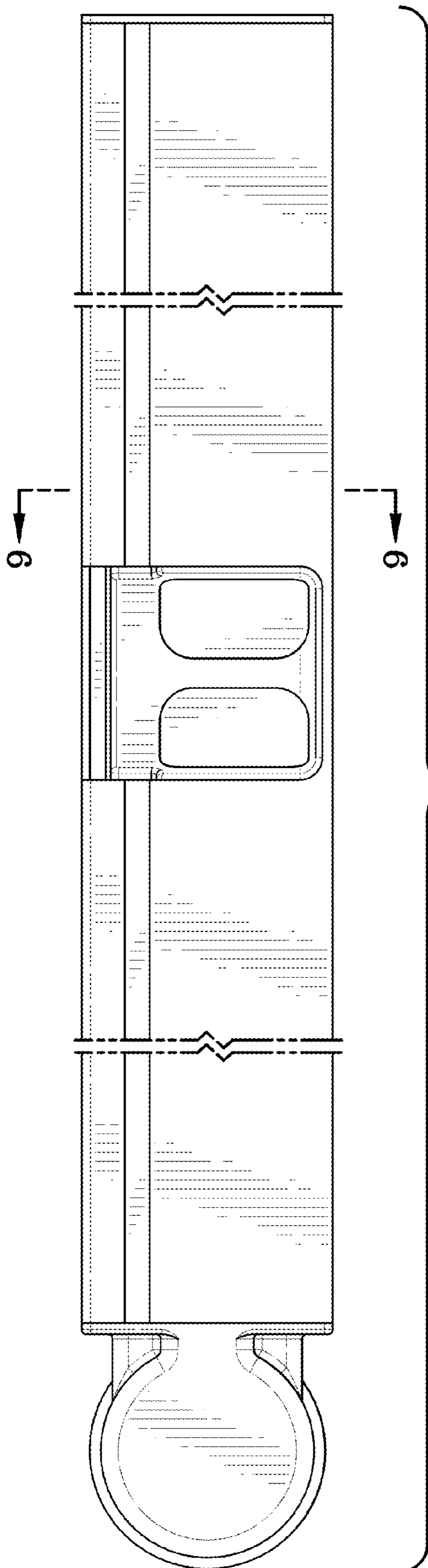


FIG. 2



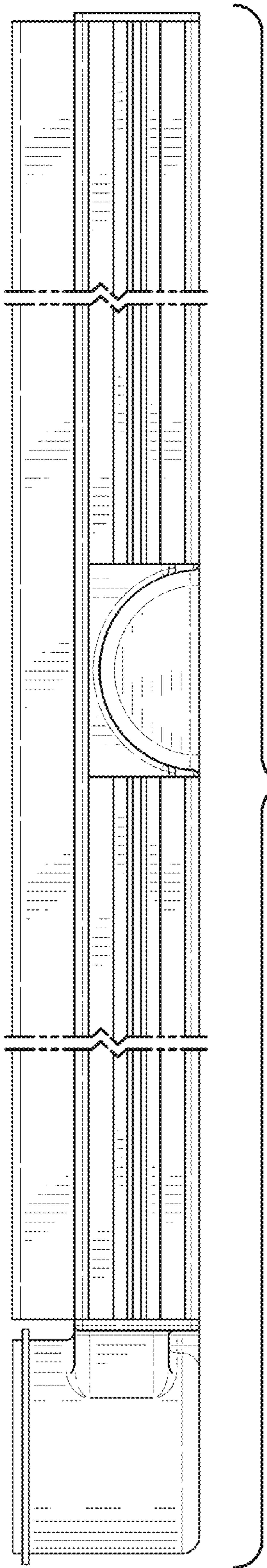


FIG. 5

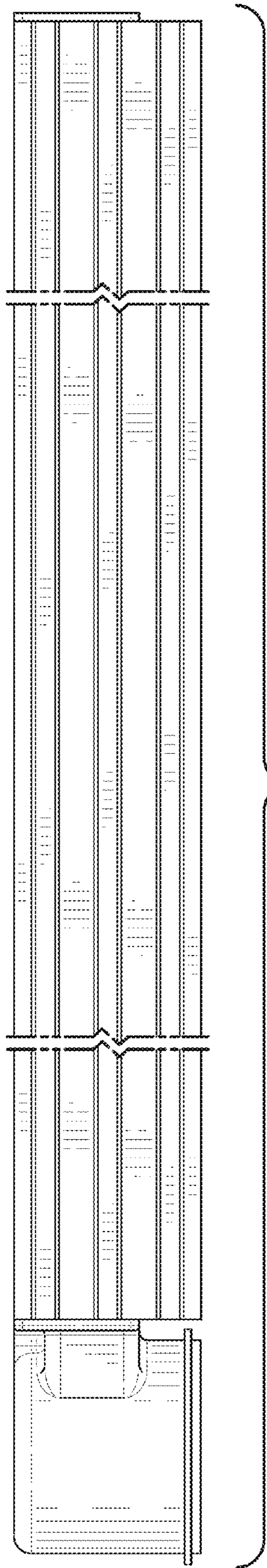


FIG. 6

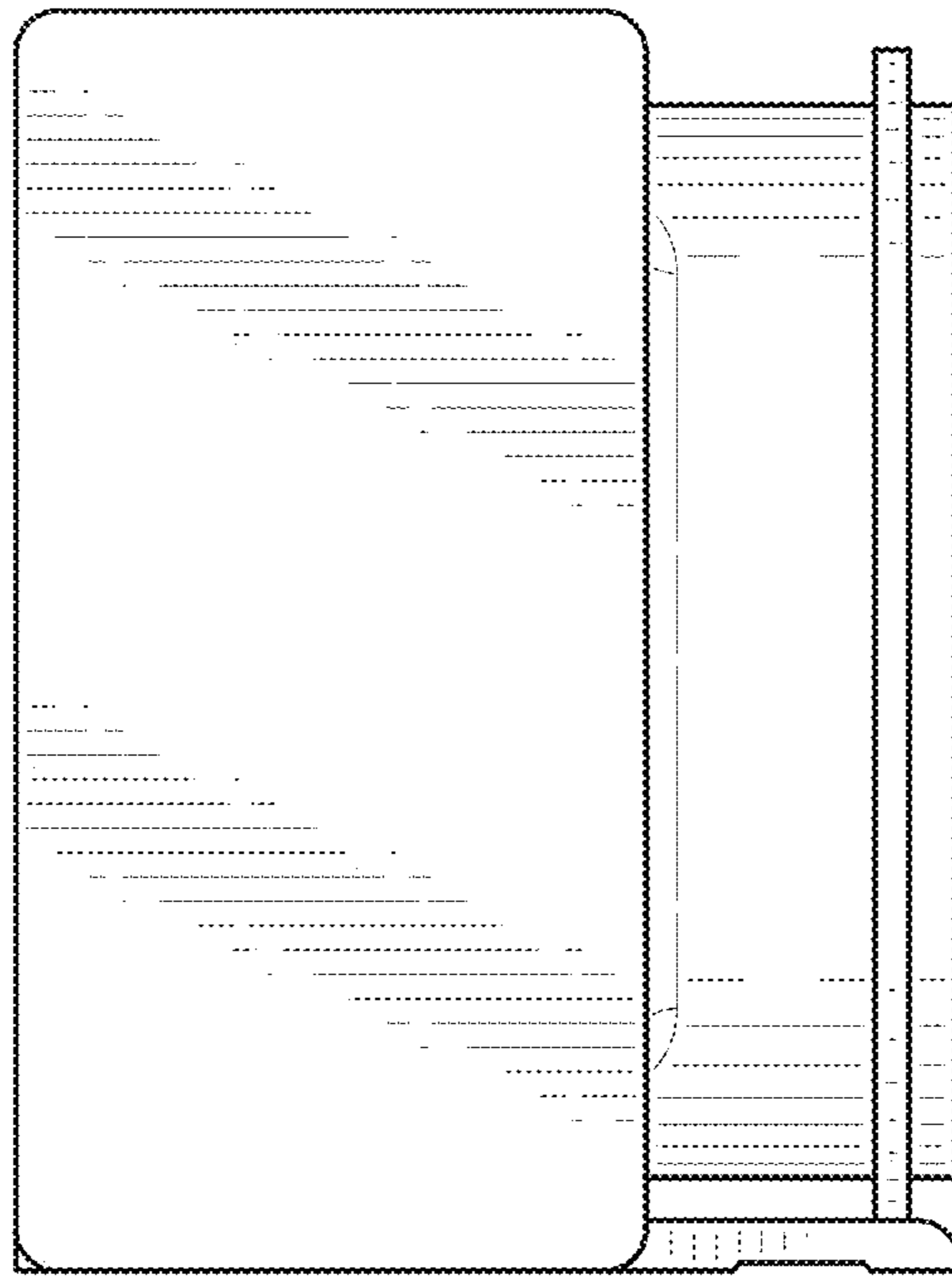


FIG. 7

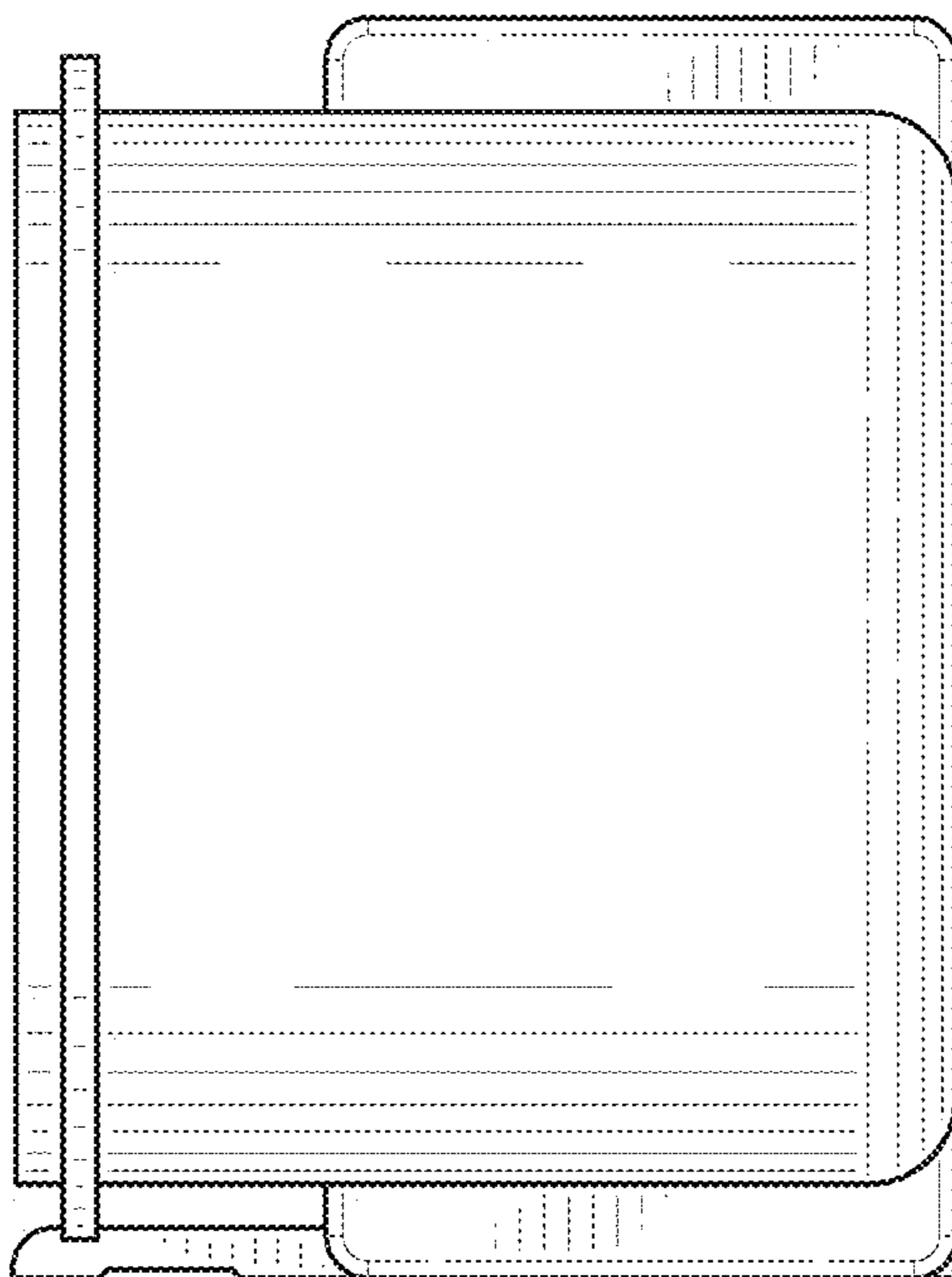


FIG. 8



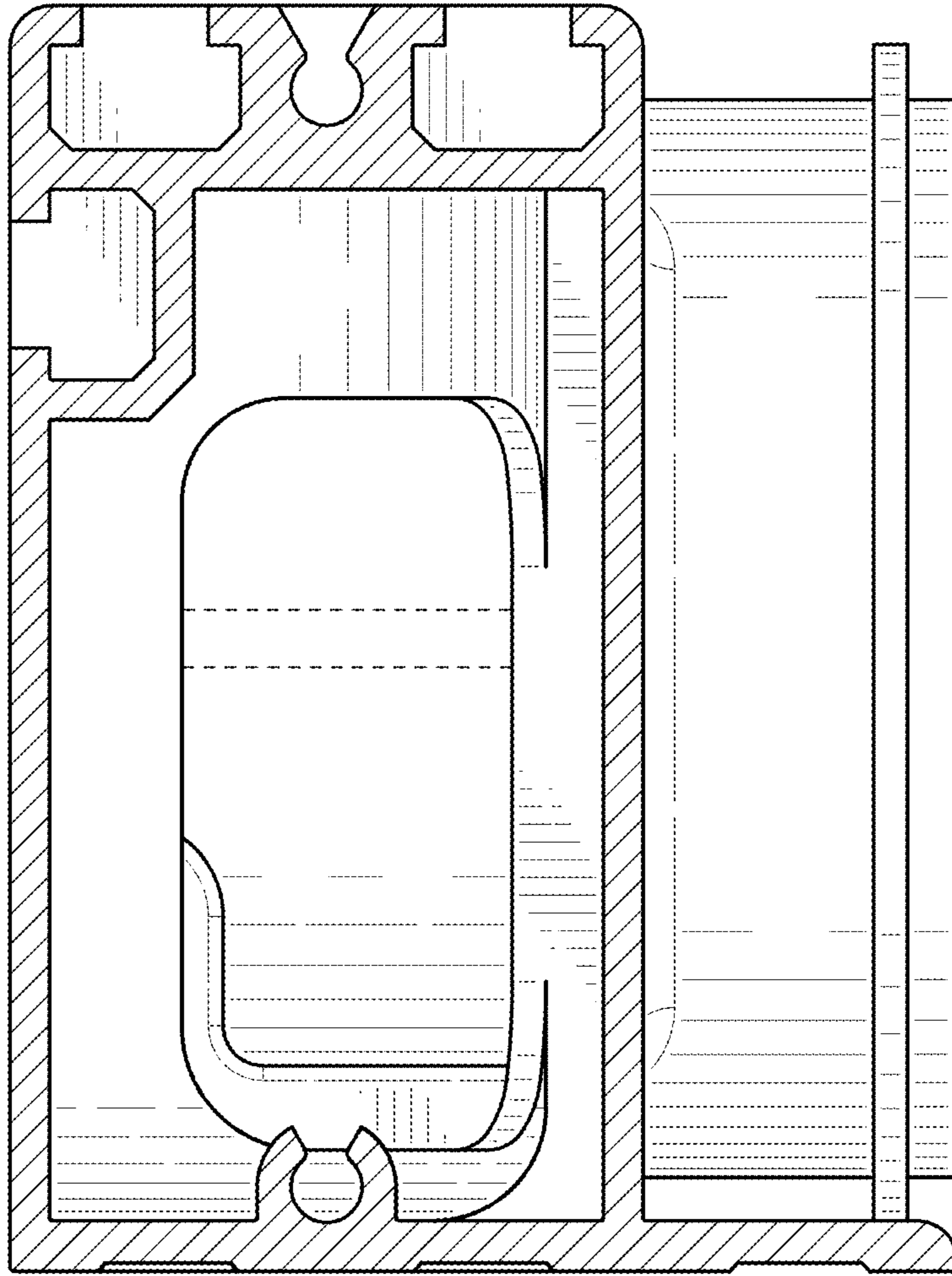


FIG. 9