



US00D963713S

(12) **United States Design Patent**
Wu et al.

(10) **Patent No.:** **US D963,713 S**
(45) **Date of Patent:** **** Sep. 13, 2022**

- (54) **KEY HOLDER**
- (71) Applicant: **Hunan Senpulo Technology Co., Ltd,**
Hunan (CN)
- (72) Inventors: **Guangjun Wu,** Hunan (CN); **Lei Wen,**
Hunan (CN); **Xuran Ma,** Hunan (CN);
Liang Chen, Hunan (CN)
- (73) Assignee: **Hunan Kukai Electromechanical Co.,**
Ltd, Hunan (CN)
- (**) Term: **15 Years**
- (21) Appl. No.: **29/718,960**
- (22) Filed: **Dec. 30, 2019**
- (30) **Foreign Application Priority Data**
Dec. 6, 2019 (CN) 201930680428.9
- (51) **LOC (13) Cl.** **15-09**
- (52) **U.S. Cl.**
USPC **D15/124; D15/125**
- (58) **Field of Classification Search**
USPC D8/32, 40, 60; D15/124, 125, 126, 127,
D15/138, 140
CPC B23C 3/355
See application file for complete search history.

- (56) **References Cited**
U.S. PATENT DOCUMENTS
D198,866 S * 8/1964 Gale D15/125
3,656,402 A * 4/1972 French B23C 3/35
409/81
D249,694 S * 9/1978 Sagarian D15/125
4,188,163 A * 2/1980 Juskevic B23C 3/355
409/81

- 4,687,389 A * 8/1987 Santii B23C 3/35
409/81
- 5,660,509 A * 8/1997 Cole B23C 3/35
409/137
- 5,833,406 A * 11/1998 Chies B23C 3/35
409/81
- 5,997,224 A * 12/1999 Beauregard B23C 3/35
409/110
- 6,152,662 A * 11/2000 Titus B23C 3/35
409/132
- D441,379 S * 5/2001 Kanat D15/127
- 7,077,607 B2 * 7/2006 Foscan B23B 31/028
279/156
- 9,101,990 B2 * 8/2015 Mutch B23P 15/005
- D787,575 S * 5/2017 Ferretti D15/127
- D869,267 S * 12/2019 Ju D8/499
- 2007/0217880 A1 * 9/2007 Ryai B23C 3/35
409/81
- 2009/0074528 A1 * 3/2009 Hadad B23C 3/35
409/82
- 2012/0141221 A1 * 6/2012 Wu B23C 3/35
409/81
- 2020/0222995 A1 * 7/2020 Jalove B23Q 1/26

* cited by examiner

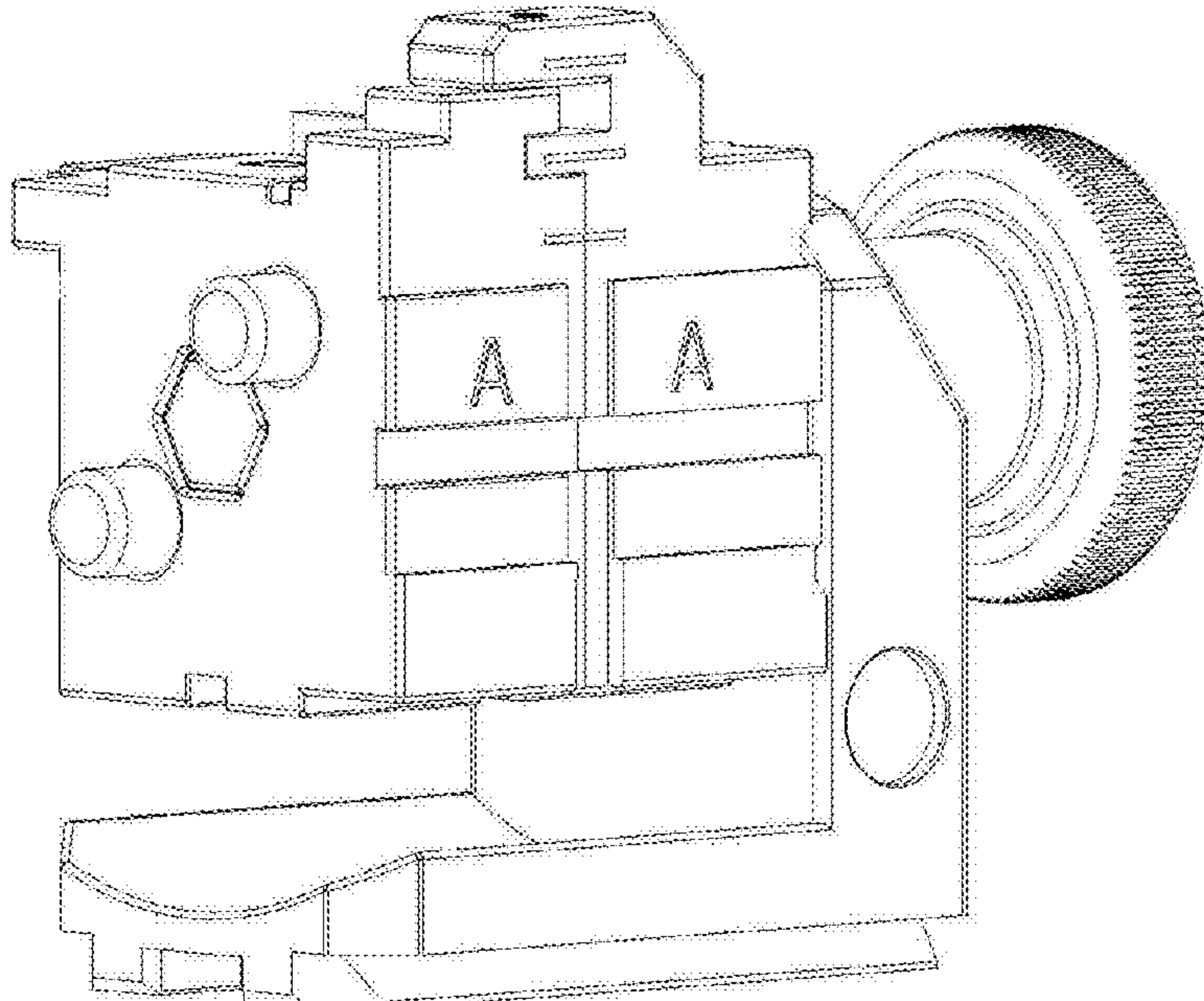
Primary Examiner — Patricia A Palasik

(57) **CLAIM**
The ornamental design for a key holder, as shown and described.

DESCRIPTION

FIG. 1 is a front view of a key holder, showing my new design.
FIG. 2 is a left view thereof.
FIG. 3 is a right view thereof.
FIG. 4 is a bottom view thereof.
FIG. 5 is a top view thereof; and,
FIG. 6 is a perspective view thereof.

1 Claim, 6 Drawing Sheets



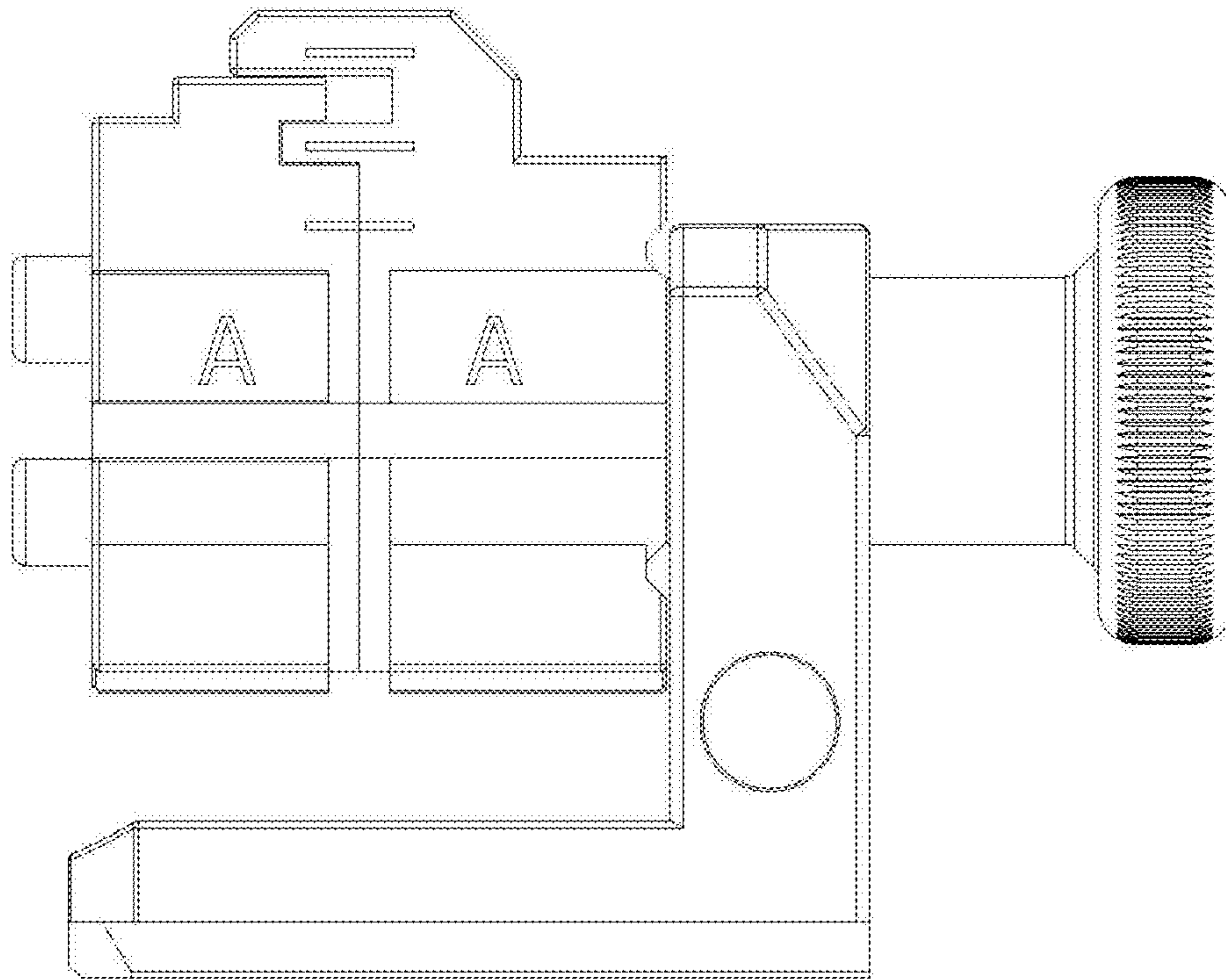


Fig. 1

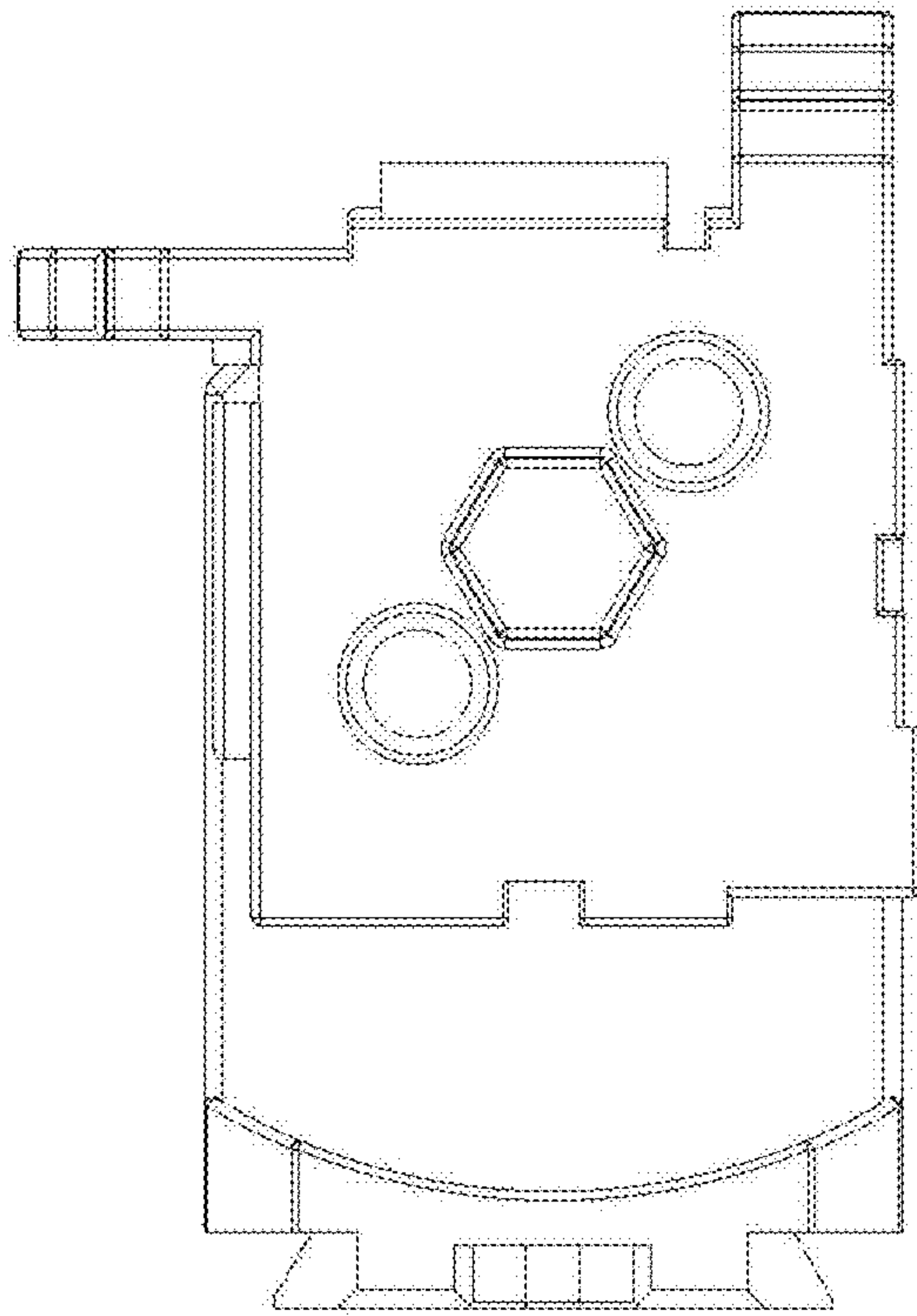


Fig. 2

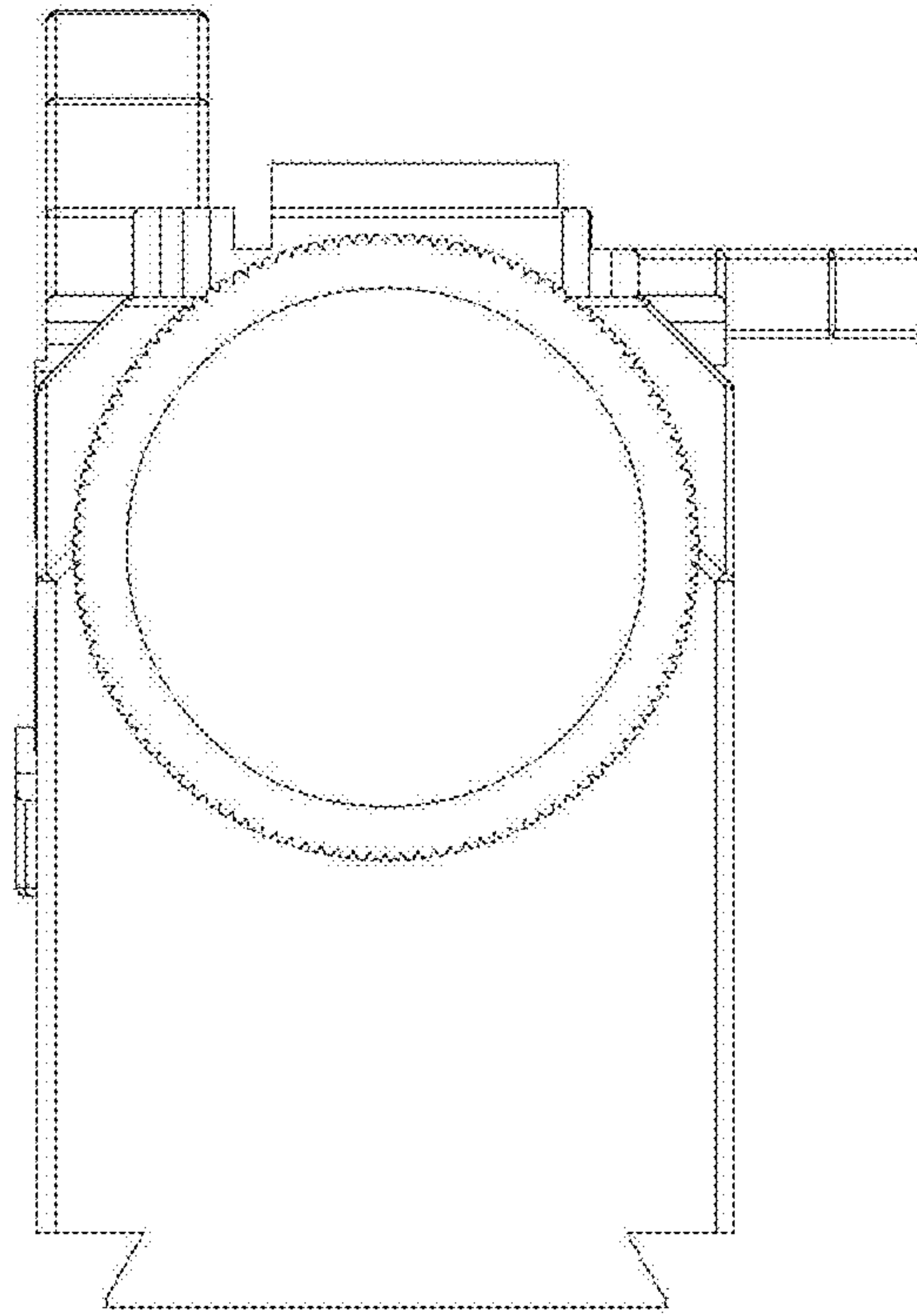


Fig. 3

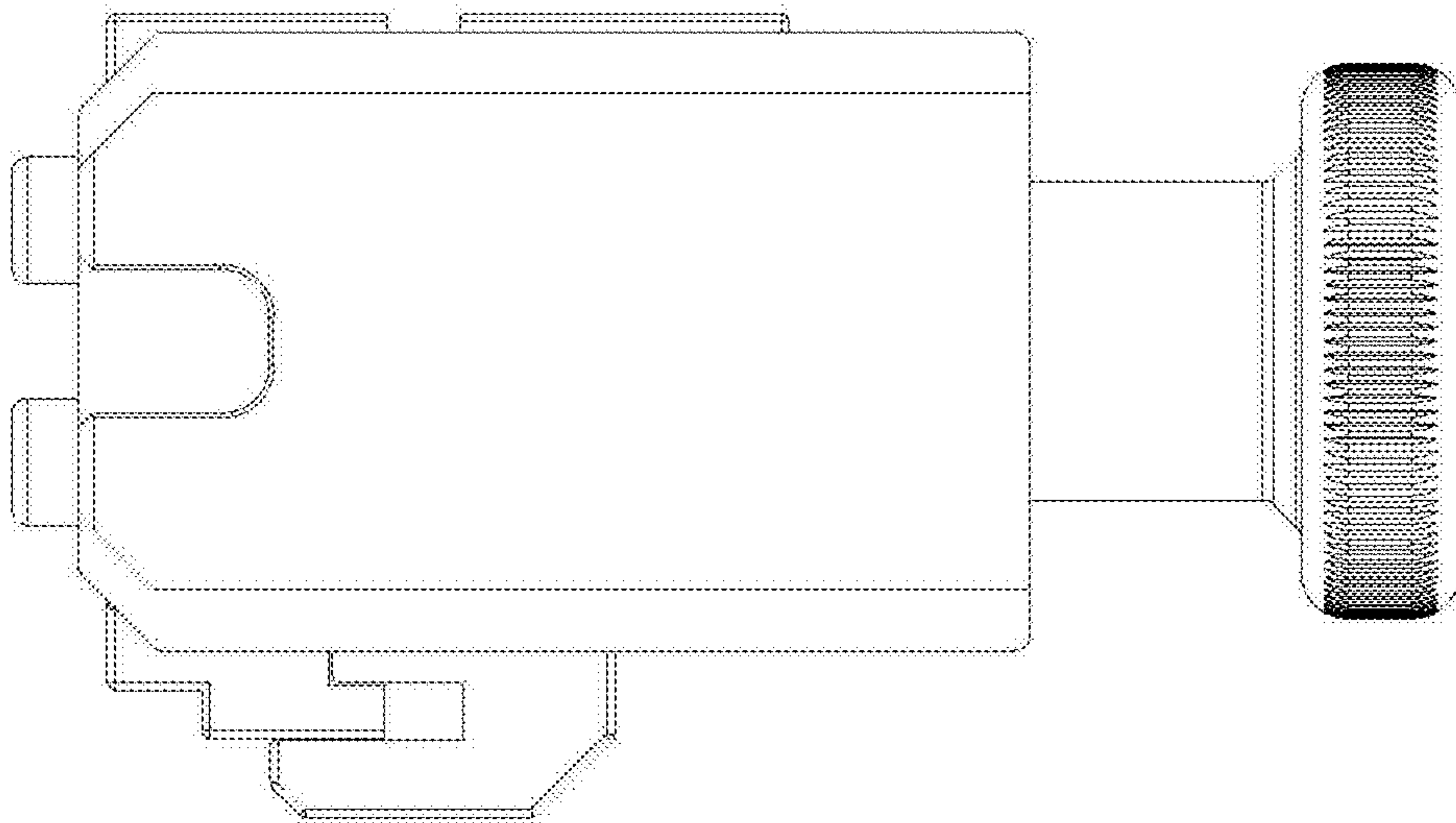


Fig. 4

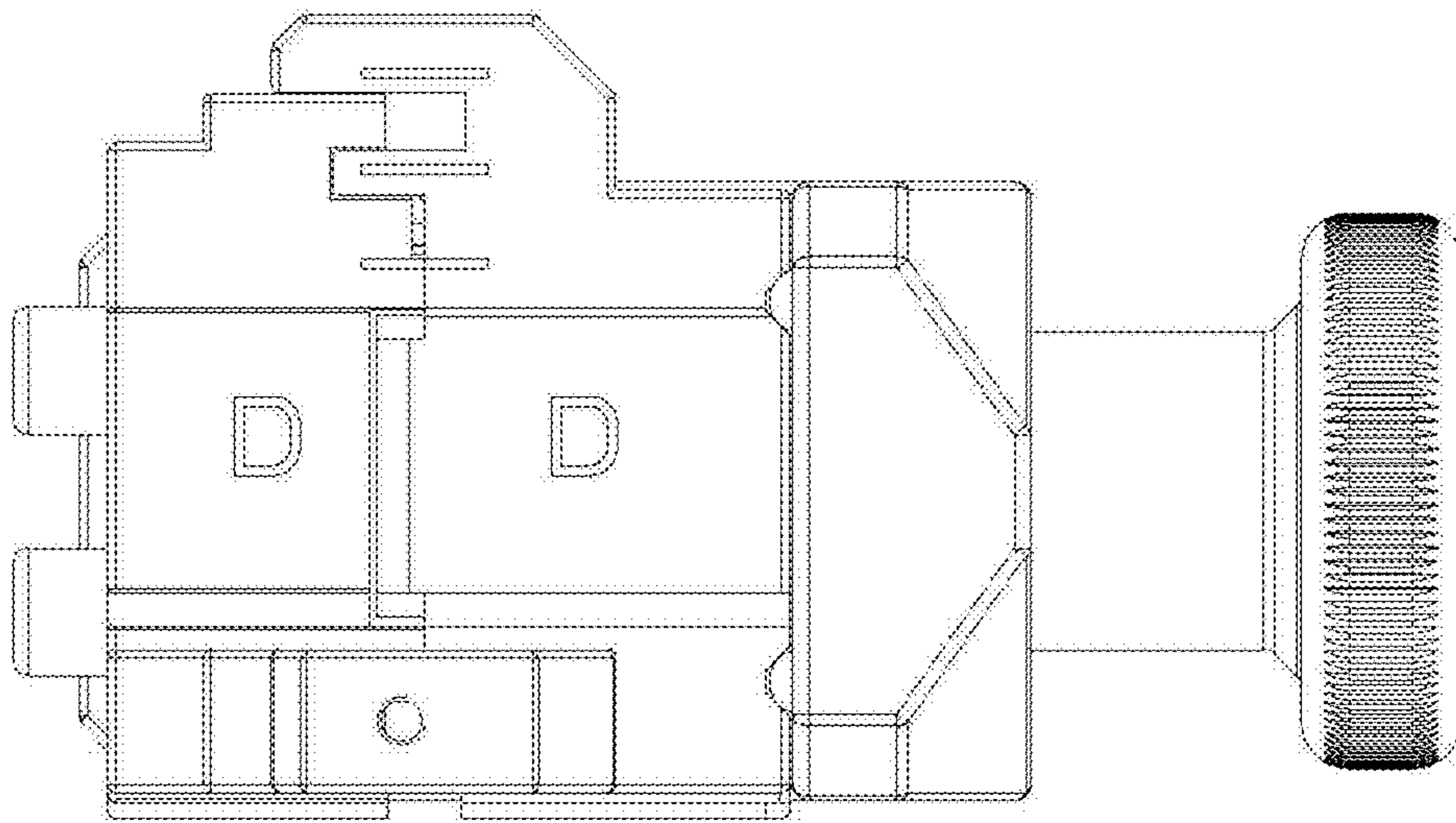


Fig. 5

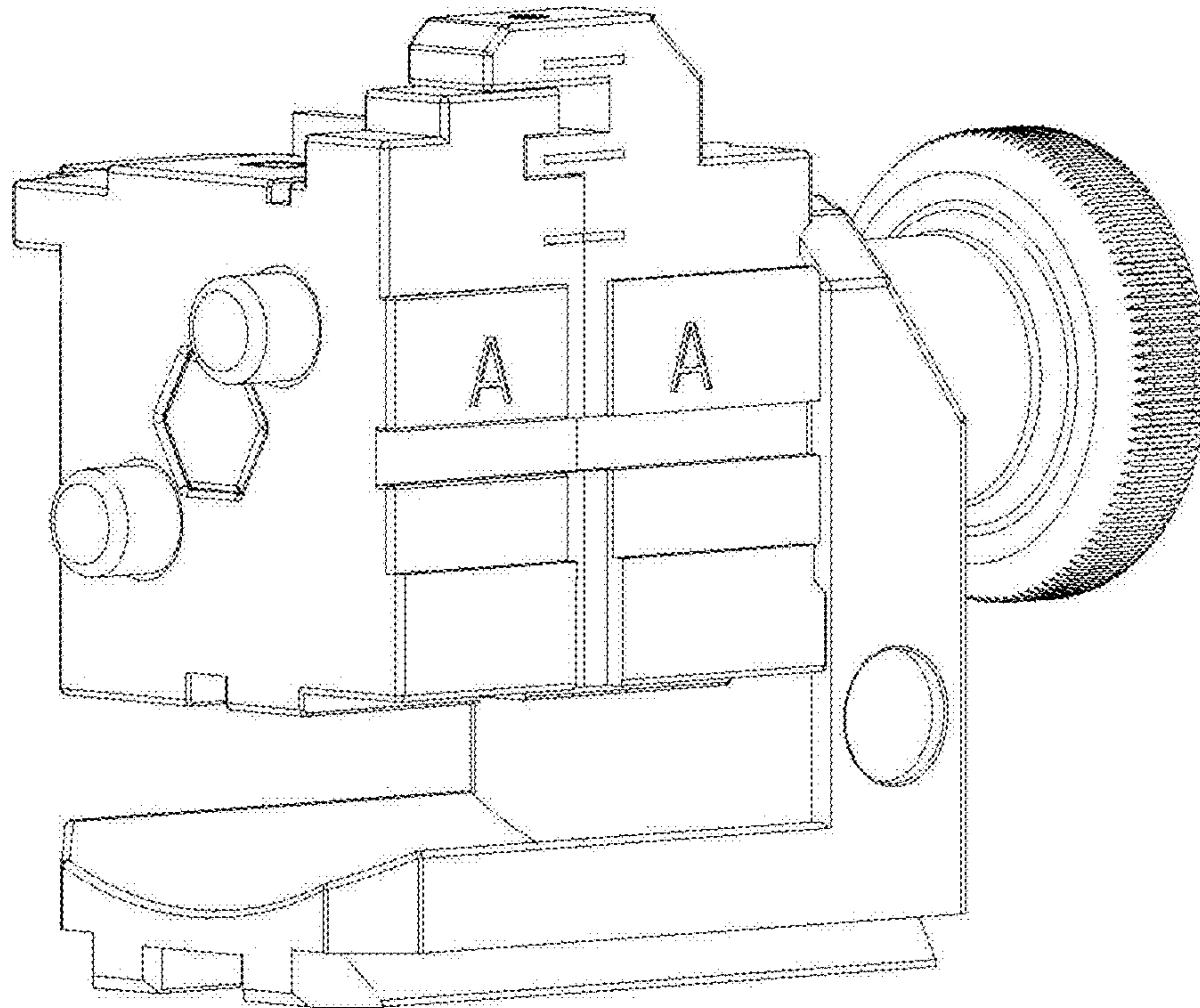


Fig. 6