



US00D963712S

(12) **United States Design Patent** (10) **Patent No.:** **US D963,712 S**  
**Wu** (45) **Date of Patent:** **\*\* Sep. 13, 2022**

(54) **ICE MOLD**

(71) Applicant: **Xiu Wu**, Shenzhen (CN)

(72) Inventor: **Xiu Wu**, Shenzhen (CN)

(\*\*) Term: **15 Years**

(21) Appl. No.: **29/792,002**

(22) Filed: **Feb. 24, 2022**

(30) **Foreign Application Priority Data**

Jan. 15, 2022 (CN) ..... 202230026890.9

(51) **LOC (13) Cl.** ..... **15-07**

(52) **U.S. Cl.**  
USPC ..... **D15/90**

(58) **Field of Classification Search**  
USPC ..... D15/79-91  
CPC .. F25D 11/00; F25D 17/065; F25D 2325/022;  
F25D 23/069; F25D 25/025; F25D 11/02;  
F25D 17/062; F25D 21/12; F25D 21/125;  
F25D 21/14; F25D 2317/061; F25D  
2317/067; F25D 2323/021; F25D  
2323/024; F25D 23/028; F25D 23/04;  
F25D 23/066; F25D 23/085; F25D  
23/087; F25D 23/126; F25D 2400/02;  
F25D 2400/06; F25D 2400/361; F25D  
2400/40; F25D 25/005; F25D 25/02;  
F25D 2600/02; F25D 2700/02; F25D  
2700/12; F25D 2700/121; F25D 2700/14;  
F25D 29/00

See application file for complete search history.

(56) **References Cited**

U.S. PATENT DOCUMENTS

D513,019 S	12/2005	Lion et al.	
D553,165 S *	10/2007	Lee .....	D15/89
D636,412 S *	4/2011	Misse .....	D15/90
D706,316 S	6/2014	Hoyord et al.	
D720,783 S	1/2015	Yang et al.	
D759,735 S *	6/2016	Tsai .....	D15/90
D946,062 S *	3/2022	Murphy .....	D15/90
D946,064 S *	3/2022	Zheng .....	D15/90
2018/0306479 A1 *	10/2018	Vazquez .....	F25C 1/18

\* cited by examiner

*Primary Examiner* — Khawaja Anwar

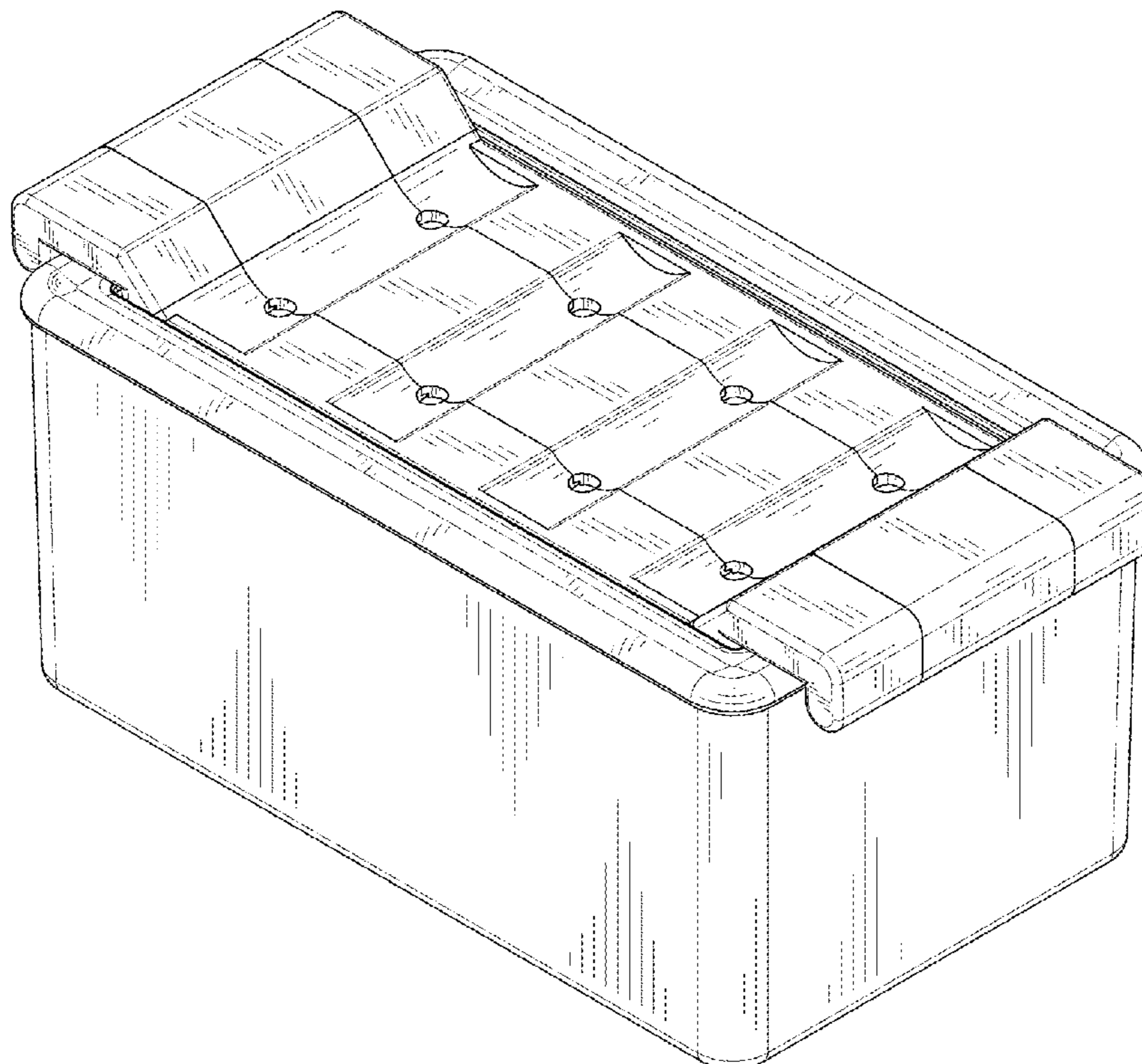
(57) **CLAIM**

The ornamental design for an ice mold, as shown and described.

**DESCRIPTION**

FIG. 1 is a perspective view of an ice mold showing my design;  
FIG. 2 is another perspective view thereof;  
FIG. 3 is an exploded view thereof;  
FIG. 4 is a front elevation view thereof;  
FIG. 5 is a back elevation view thereof;  
FIG. 6 is a left side view thereof;  
FIG. 7 is a right side view thereof;  
FIG. 8 is a top plan view thereof; and,  
FIG. 9 is a bottom plan view thereof.

**1 Claim, 9 Drawing Sheets**



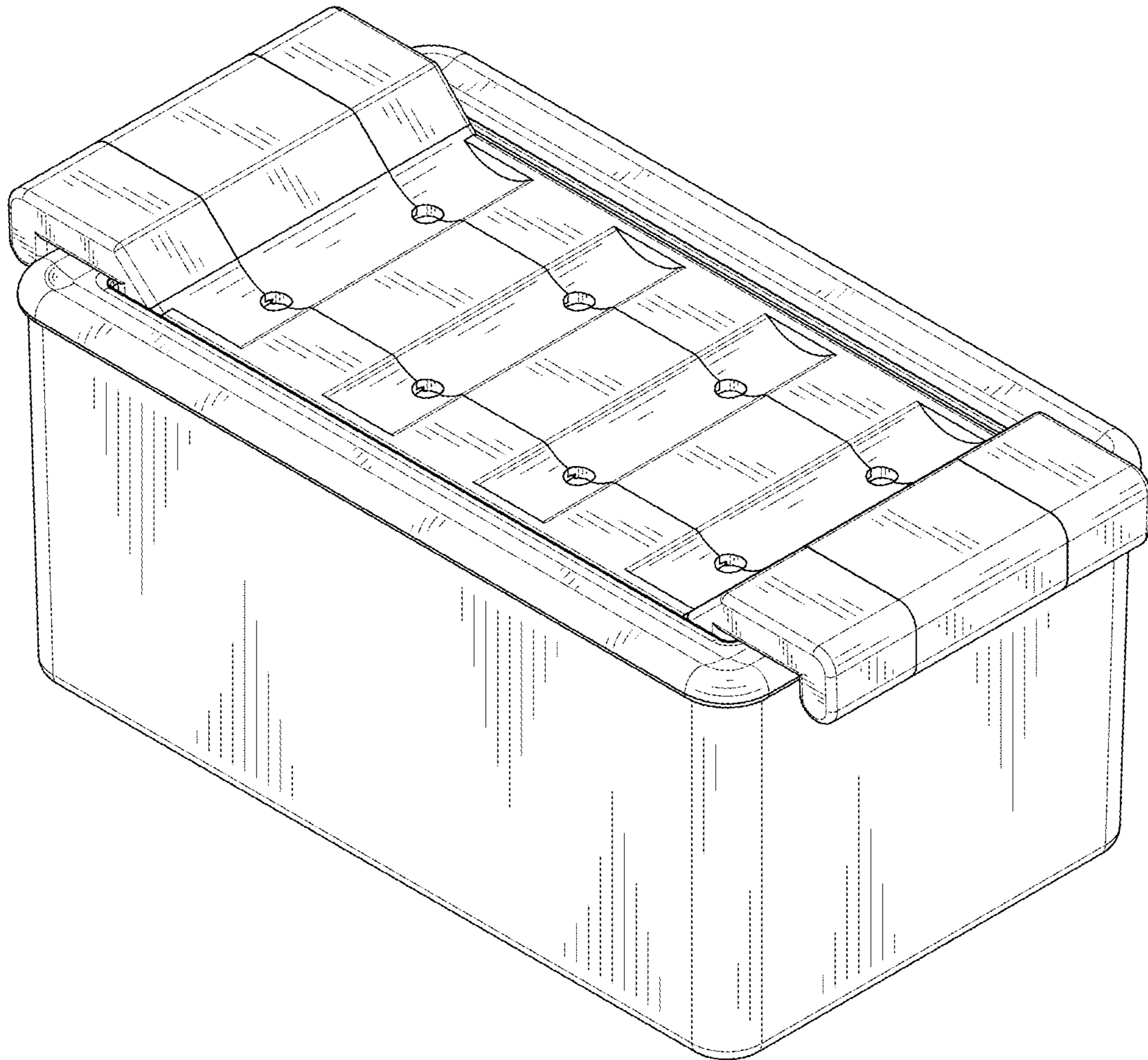


FIG. 1

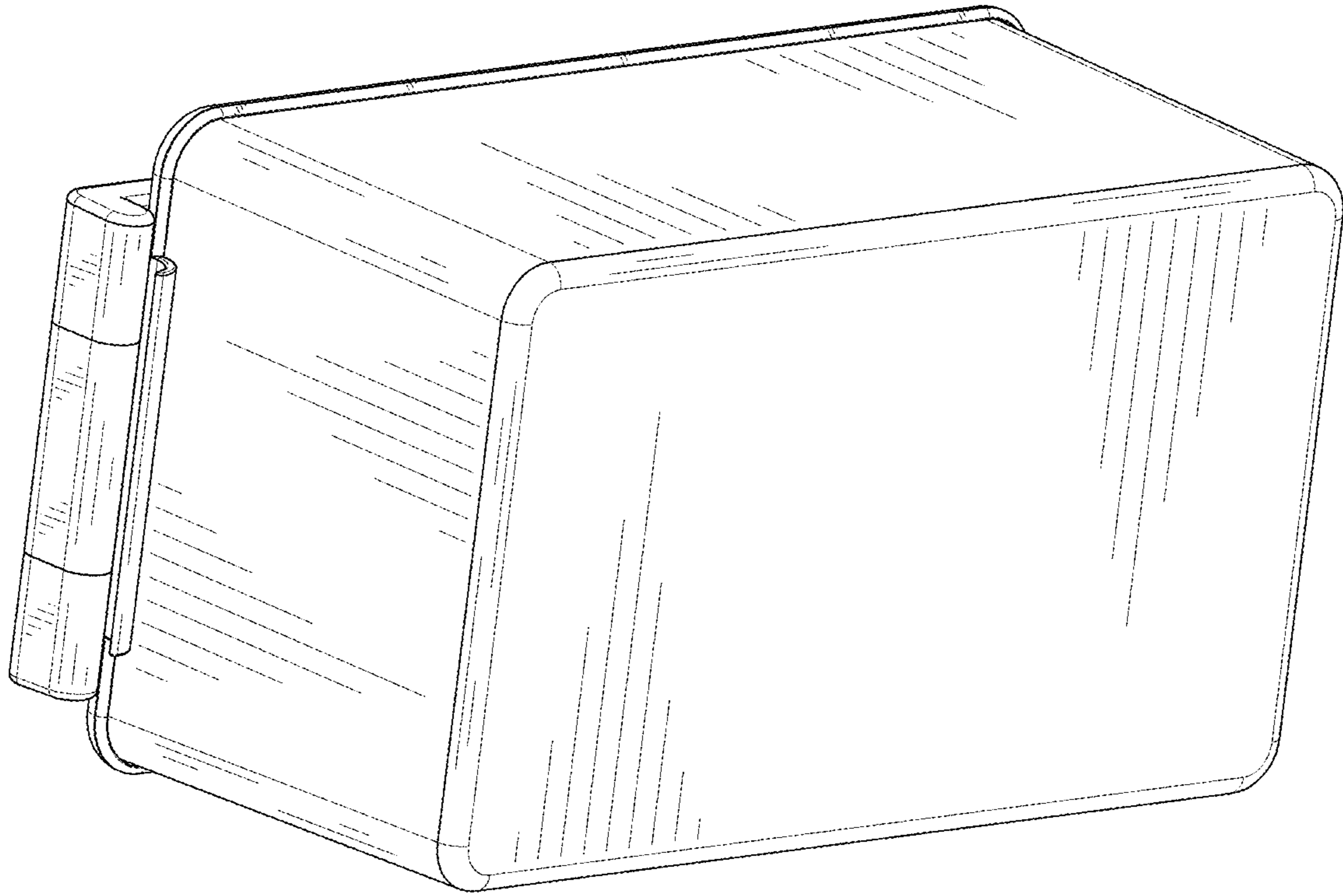


FIG. 2

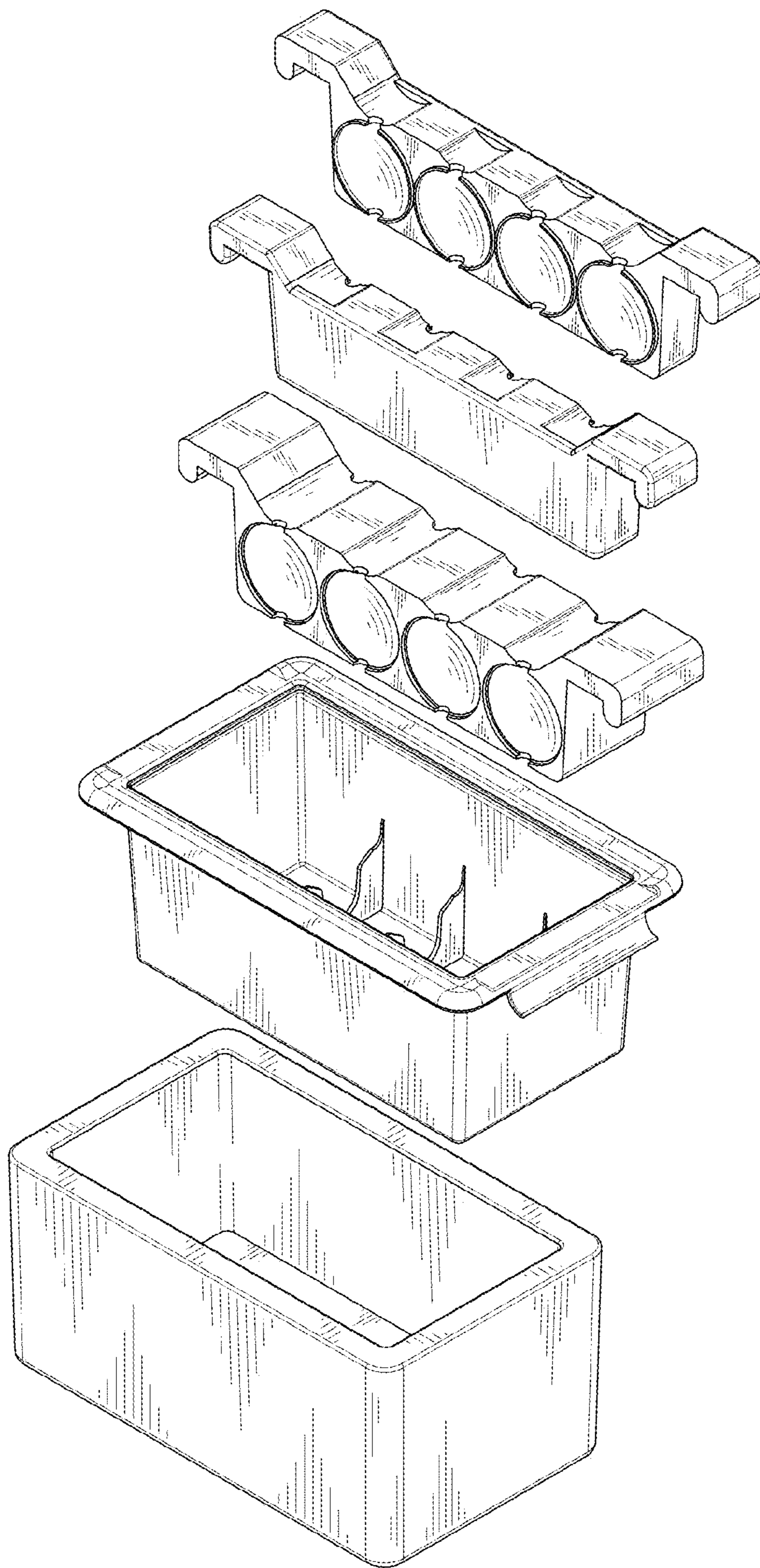


FIG. 3

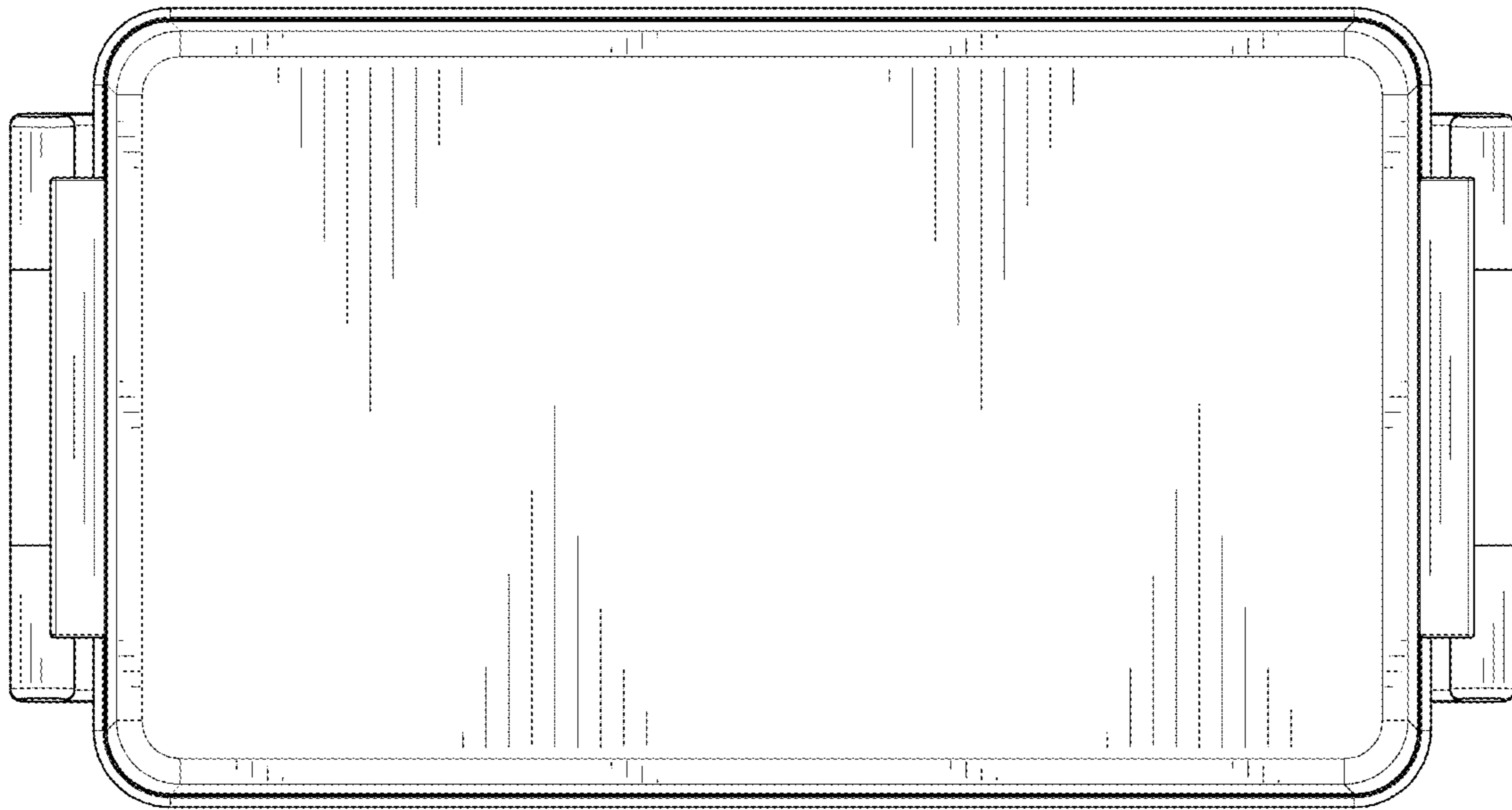


FIG. 4

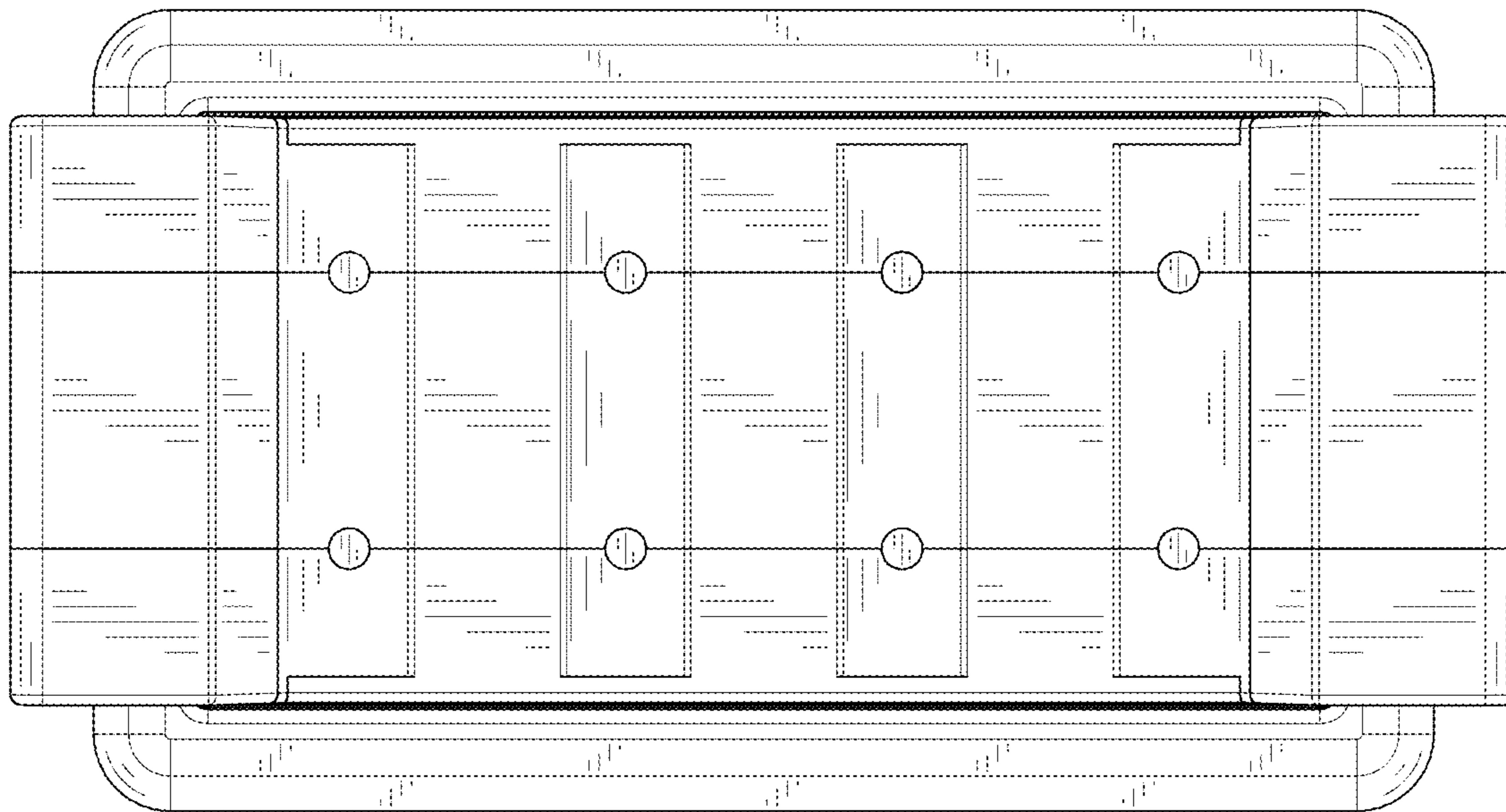


FIG. 5

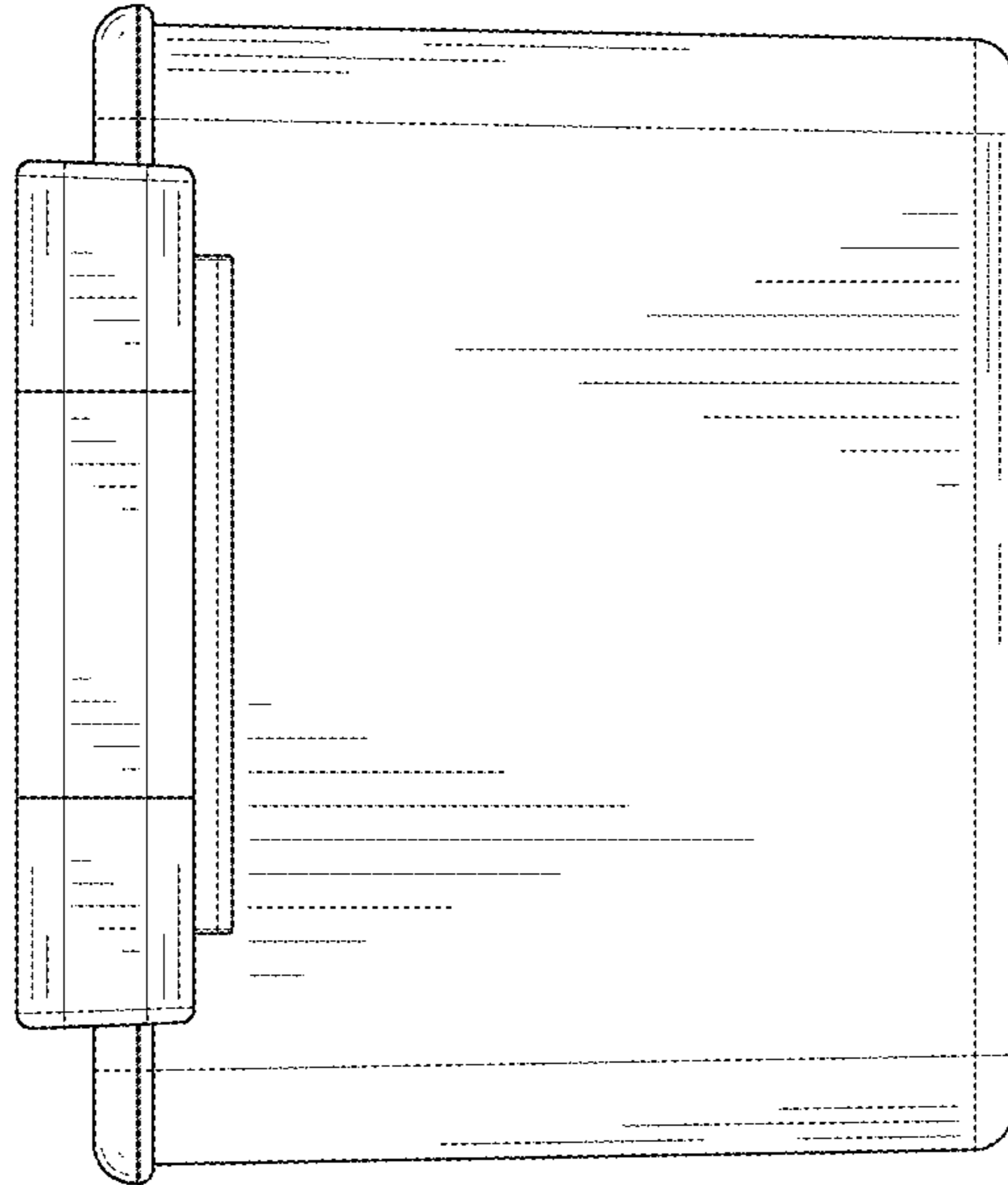


FIG. 6

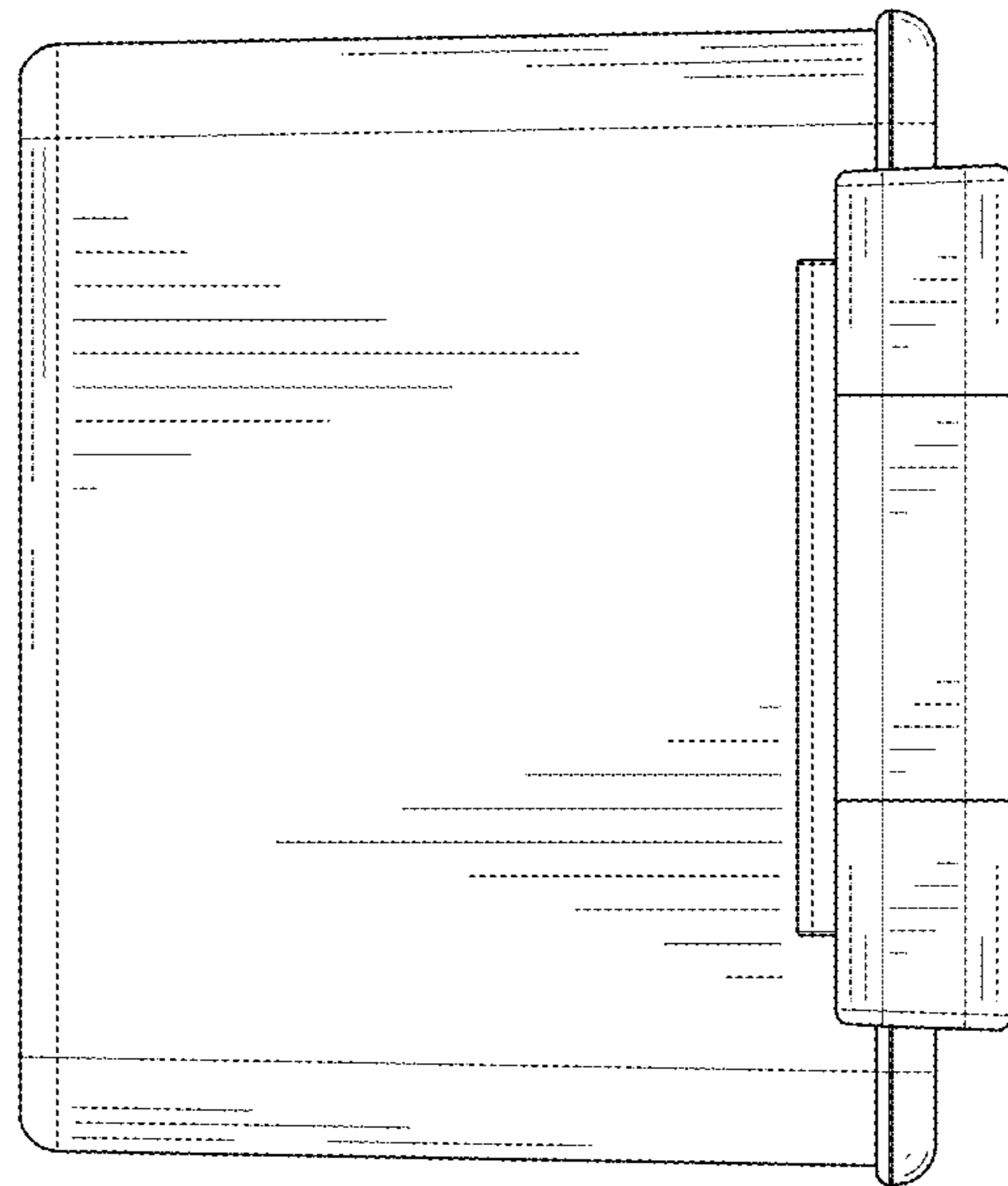


FIG. 7



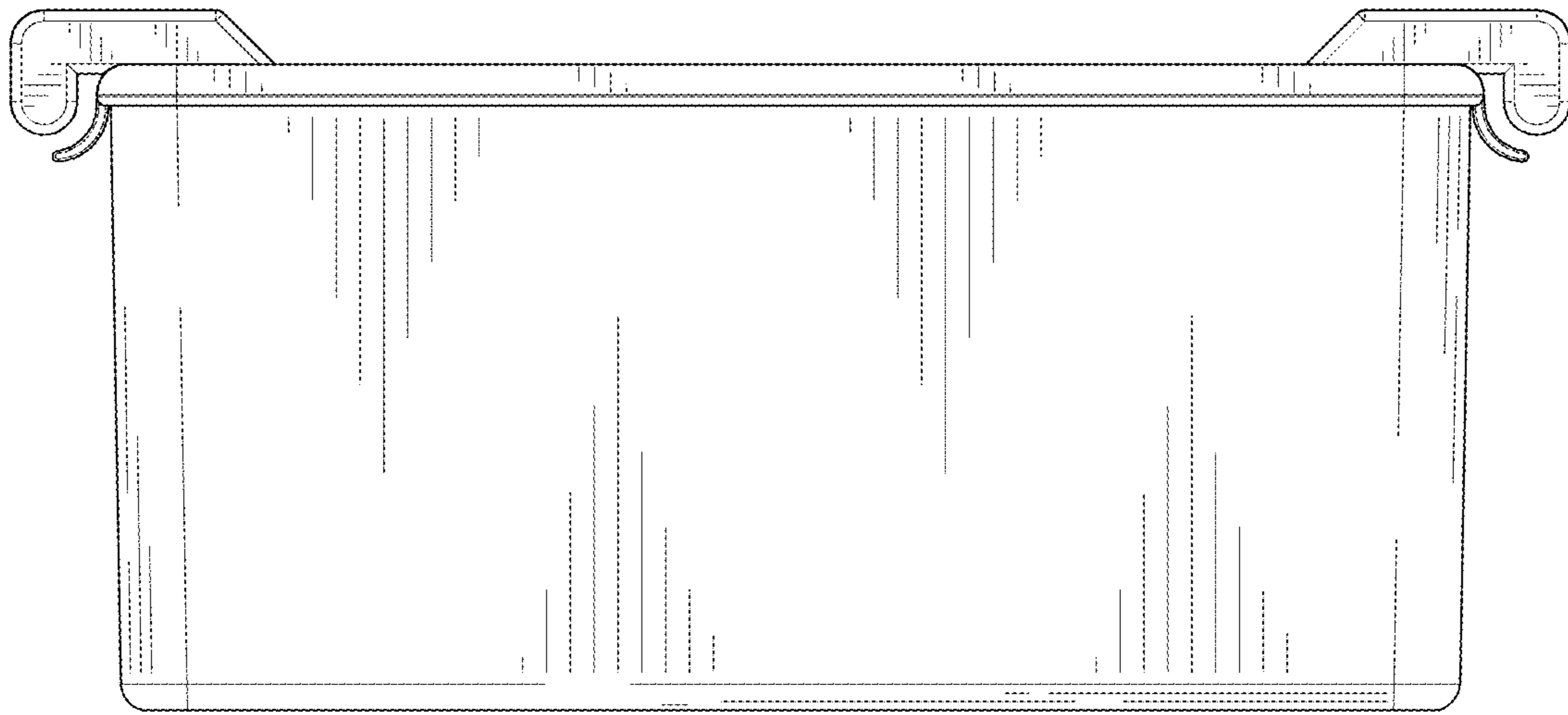


FIG. 8

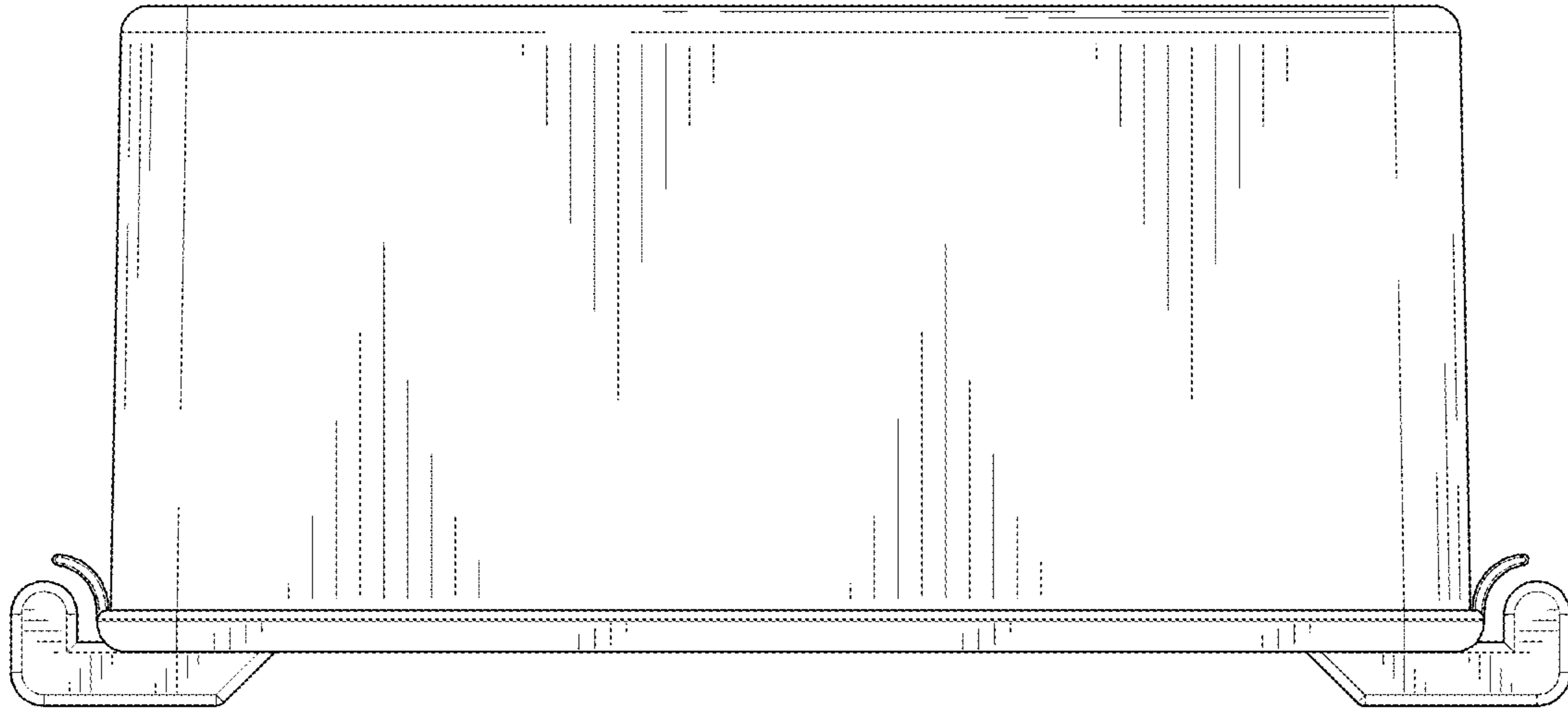


FIG. 9