



US00D963711S

(12) **United States Design Patent** (10) **Patent No.:** **US D963,711 S**
Seo et al. (45) **Date of Patent:** **** Sep. 13, 2022**

(54) **BASKET FOR DOOR-MOUNTED REFRIGERATOR**

F25D 17/047; F25D 2317/041; F25D 2317/04131; F25D 2317/043; F25D 2317/0664; F25D 2321/147; F25D 2323/02; F25D 2323/023

(71) Applicant: **LG ELECTRONICS INC.**, Seoul (KR)

See application file for complete search history.

(72) Inventors: **Kiyeal Seo**, Seoul (KR); **Insun Yeo**, Seoul (KR); **Junghoon Lee**, Seoul (KR); **Hyunchul Kim**, Seoul (KR)

(56) **References Cited**

U.S. PATENT DOCUMENTS

(73) Assignee: **LG ELECTRONICS INC.**, Seoul (KR)

D233,859	S	*	12/1974	Tyke et al.	D15/89
D377,028	S	*	12/1996	Monday	D15/90
D378,821	S	*	4/1997	Westcott	D15/89
D514,136	S	*	1/2006	Becke	D15/81
D591,314	S	*	4/2009	Baacke	D15/89
D591,315	S	*	4/2009	Baacke	D15/89
D607,021	S	*	12/2009	Baacke	D15/89
D676,468	S	*	2/2013	Lee	D15/89
D694,289	S	*	11/2013	Hottmann	D15/89
D694,291	S	*	11/2013	Hottmann	D15/89
D707,267	S	*	6/2014	Choi	D15/89
D709,532	S	*	7/2014	Park	D15/89
D723,593	S	*	3/2015	Ryu	D15/89
D733,773	S	*	7/2015	Lee	D15/89
D734,784	S	*	7/2015	Kim	D15/89

(**) Term: **15 Years**

(21) Appl. No.: **35/510,830**

(22) Filed: **May 21, 2020**

(80) **Hague Agreement Data**

Int. Filing Date: **May 21, 2020**
Int. Reg. No.: **DM/209155**
Int. Reg. Date: **May 21, 2020**
Int. Reg. Pub. Date: **Nov. 27, 2020**

(Continued)

Primary Examiner — Richard E Chilcot

(74) *Attorney, Agent, or Firm* — Birch, Stewart, Kolasch & Birch, LLP

(30) **Foreign Application Priority Data**

Dec. 9, 2019 (KR) 30-2019-0059365

(51) **LOC (13) Cl.** **15-07**

(52) **U.S. Cl.**
USPC **D15/89**
CPC **F25D 25/025** (2013.01)

(58) **Field of Classification Search**
USPC D15/79-91
CPC F25D 25/025; F25D 23/028; F25D 2323/024; F25D 23/00; F25D 23/02; F25D 2323/021; F25D 23/065; F25D 11/00; F25D 2201/14; F25D 23/021; F25D 23/025; F25D 23/04; F25D 27/00; F25D 23/062; F25D 23/067; F25D 2400/18; F25D 23/08; F25D 23/085; F25D 2500/02; F25D 25/00; F25D 25/005; F25D 25/022; F25D 25/024;

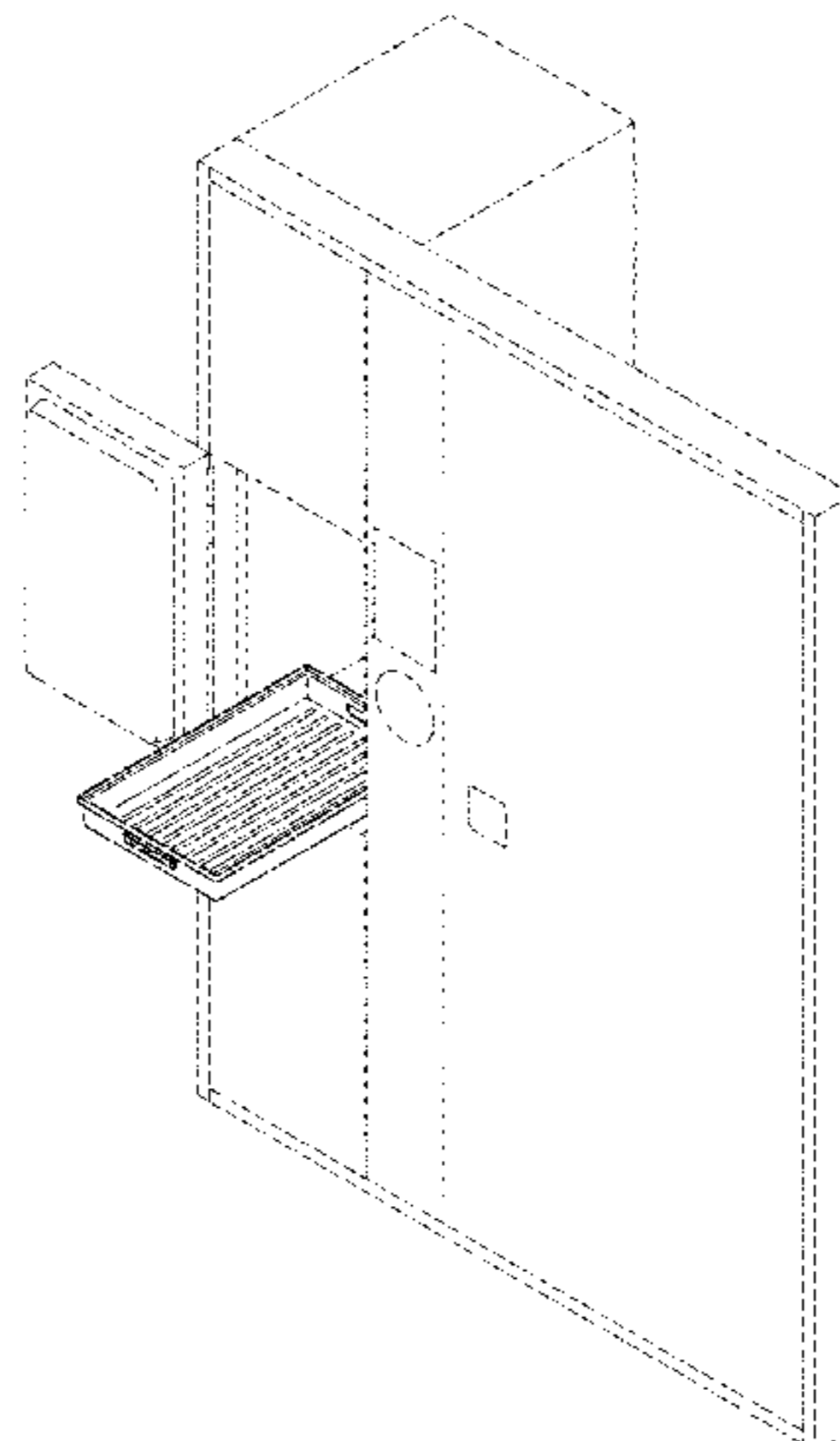
(57) **CLAIM**

The ornamental design for a basket for door-mounted refrigerator, as shown and described.

DESCRIPTION

- 1. Basket for door-mounted refrigerator
- 1.1 : Perspective
- 1.2 : Front
- 1.3 : Back
- 1.4 : Left
- 1.5 : Right
- 1.6 : Top
- 1.7 : Bottom
- 1.8 : Perspective

(Continued)



The broken lines in reproduction 1.8 depict environment that forms no part of the claimed design.

1 Claim, 8 Drawing Sheets

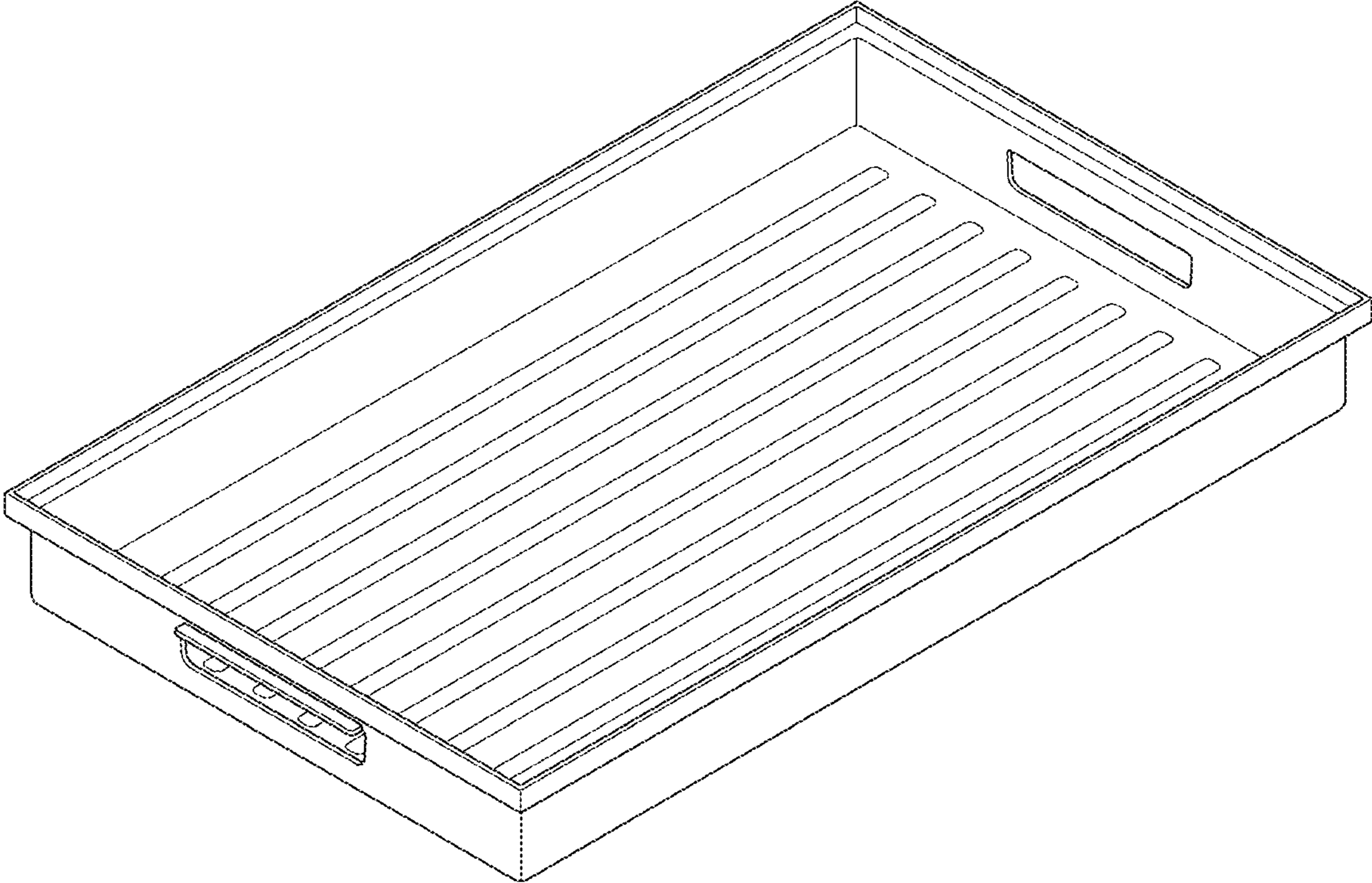
(56) **References Cited**

U.S. PATENT DOCUMENTS

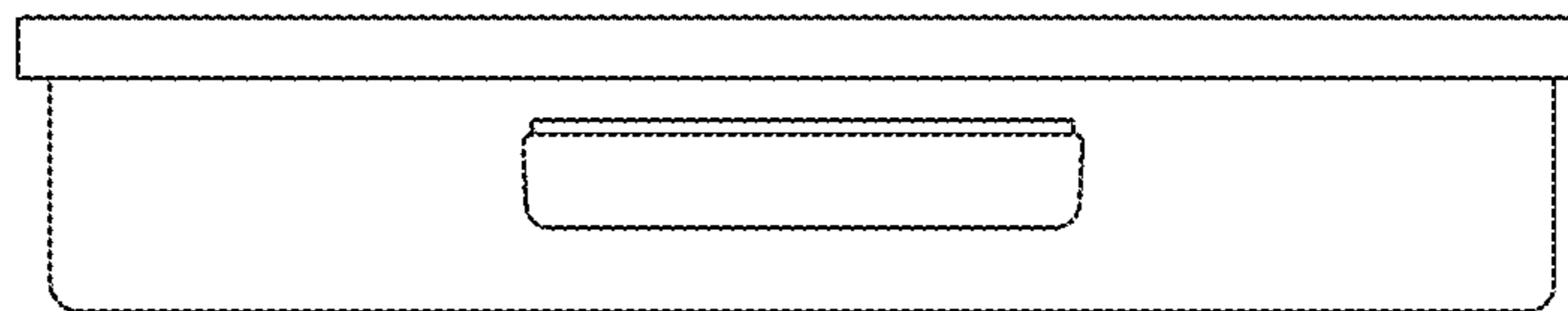
D786,949 S *	5/2017	Onrat	D15/89
D788,191 S *	5/2017	Kim	D15/89
D812,649 S *	3/2018	Onrat	D15/89
D822,723 S *	7/2018	Onrat	D15/89
D846,602 S *	4/2019	Onrat	D15/89
10,690,400 B2 *	6/2020	Alves Ferreira	F25D 25/025

* cited by examiner

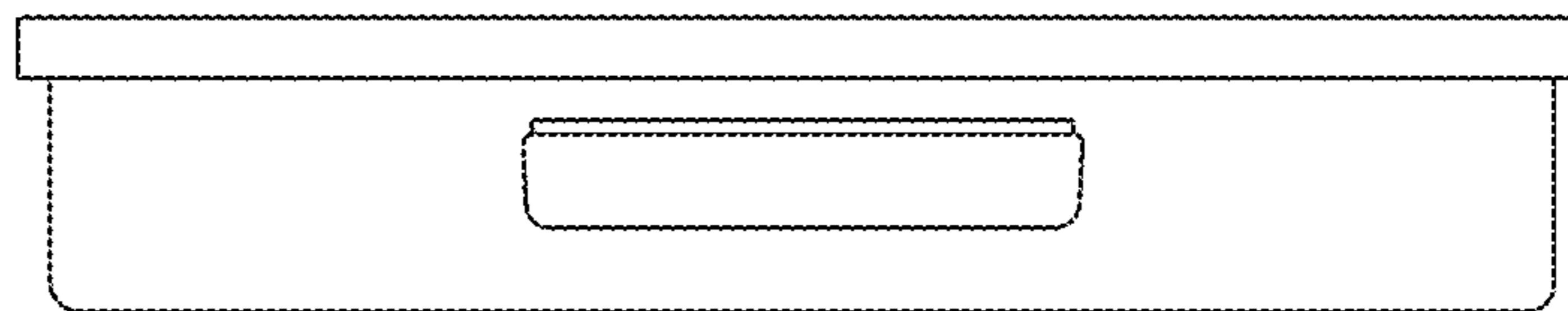
1.1



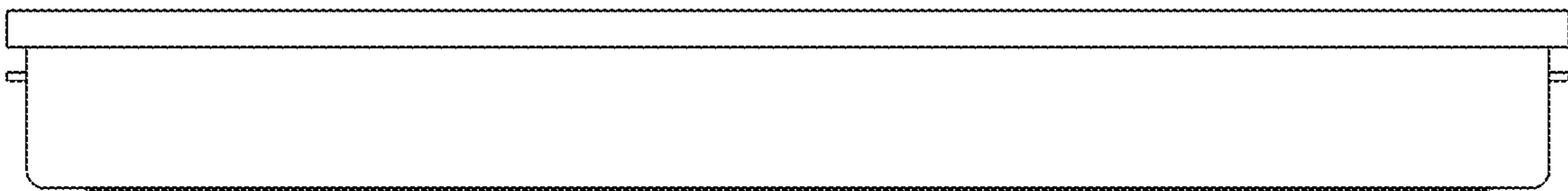
1.2



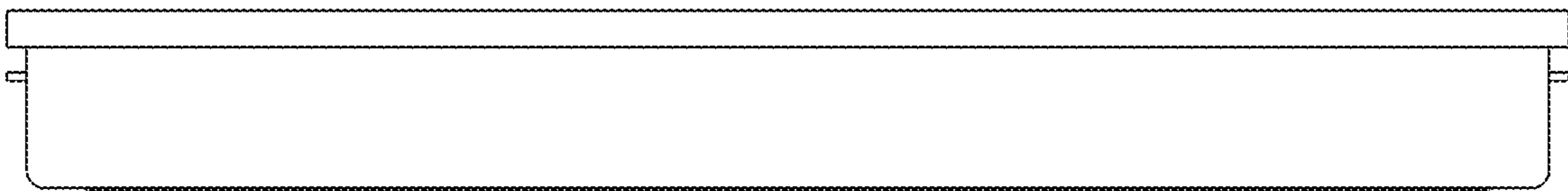
1.3



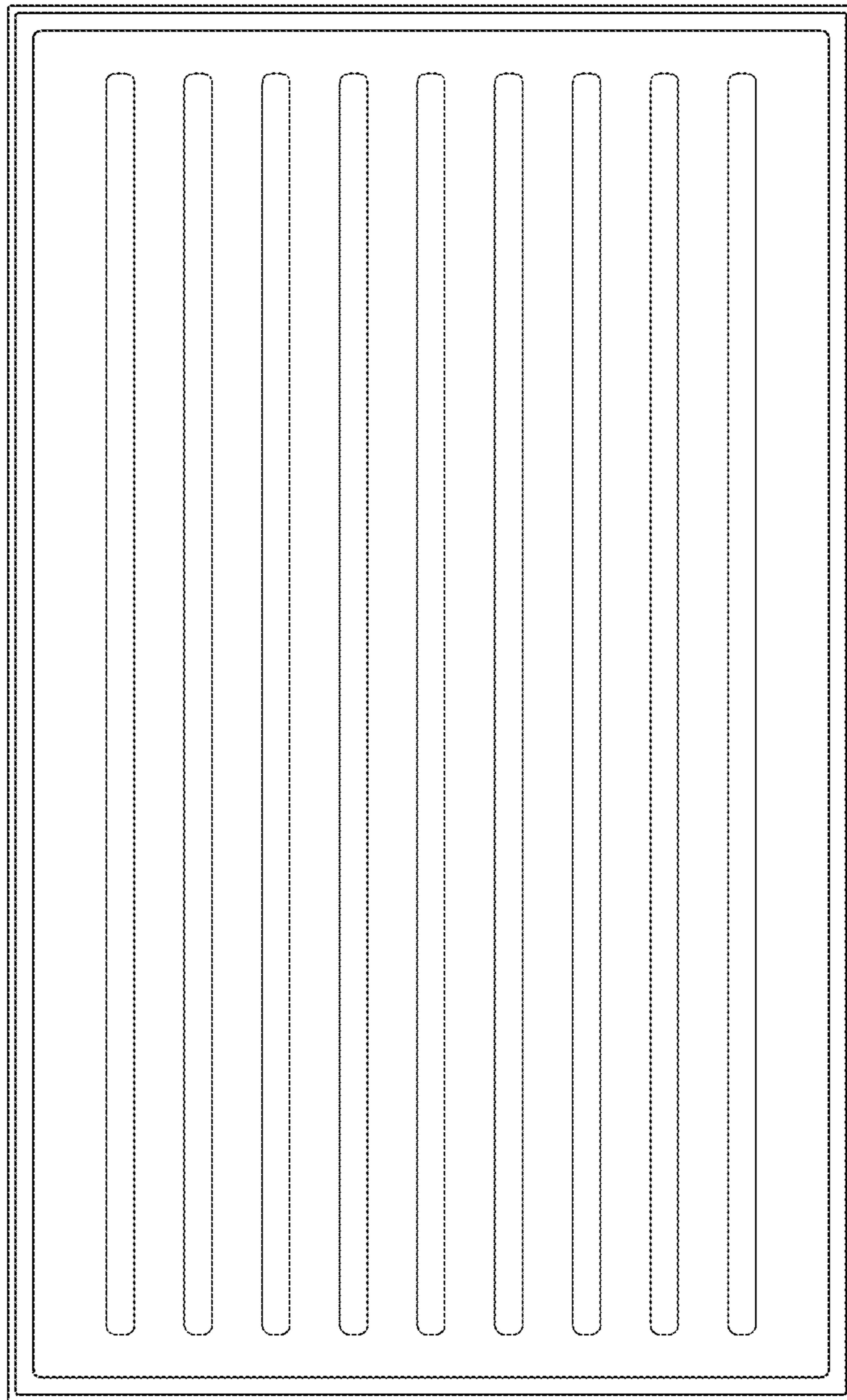
1.4



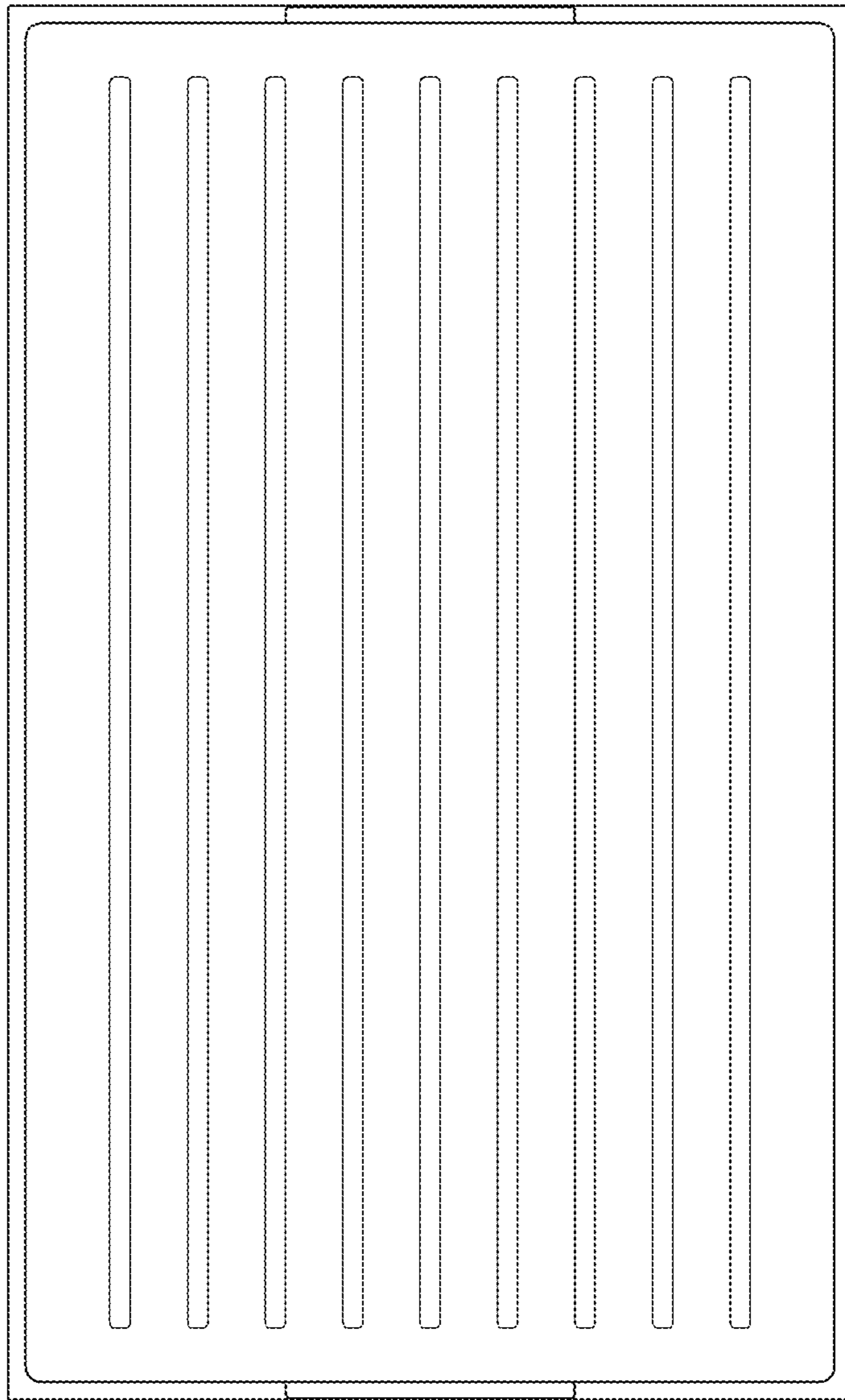
1.5



1.6



1.7



1.8

