



US00D963710S

(12) **United States Design Patent** (10) **Patent No.:** **US D963,710 S**
Lee et al. (45) **Date of Patent:** **** Sep. 13, 2022**

(54) **INDOOR WALL FOR THE BUILT-IN HOME APPLIANCES**

D765,151 S * 8/2016 Park D15/81
D867,409 S * 11/2019 Wang D15/79
D868,849 S * 12/2019 Hynes D15/81

(Continued)

(71) Applicant: **LG ELECTRONICS INC.**, Seoul (KR)

FOREIGN PATENT DOCUMENTS

(72) Inventors: **Bumsang Lee**, Seoul (KR); **Hyunju Ahn**, Seoul (KR); **Sesook Oh**, Seoul (KR)

KR 3020080000224 * 2/2008

OTHER PUBLICATIONS

(73) Assignee: **LG ELECTRONICS INC.**, Seoul (KR)

LG CES2020 <https://www.lgnewsroom.com/2020/01/ces-2020-lg-thinq-home/> Jan. 9, 2020 (Year: 2020).*

(**) Term: **15 Years**

Primary Examiner — Leanne Was-Englehart

(21) Appl. No.: **29/736,804**

(74) *Attorney, Agent, or Firm* — Birch, Stewart, Kolasch & Birch, LLP

(22) Filed: **Jun. 3, 2020**

(57) **CLAIM**

(30) **Foreign Application Priority Data**

The ornamental design for an indoor wall for the built-in home appliances, as shown and described.

Dec. 4, 2019 (KR) 30-2019-0058513

DESCRIPTION

(51) **LOC (13) Cl.** **15-07**

(52) **U.S. Cl.**
USPC **D15/89**; D25/58

(58) **Field of Classification Search**
USPC D6/315, 552, 657-664; D15/79-91;
D25/58, 138, 199
CPC F25D 25/00; F25D 25/024; F25D 25/025
See application file for complete search history.

FIG. 1 is a front perspective view of the indoor wall for the built-in home appliances showing our new design;
FIG. 2 is a front view thereof;
FIG. 3 is a rear view thereof;
FIG. 4 is a left side view thereof where the right side view is a mirror image;
FIG. 5 is a top plan view thereof where the bottom plan view is a mirror image;
FIG. 6 is a reference view showing the state of use that a wine bottle has been stored at the wine rack of the wine chiller at the center part of the claimed design; and,
FIG. 7 is a reference view showing the state of use that the wine chiller has been separated from the frame.

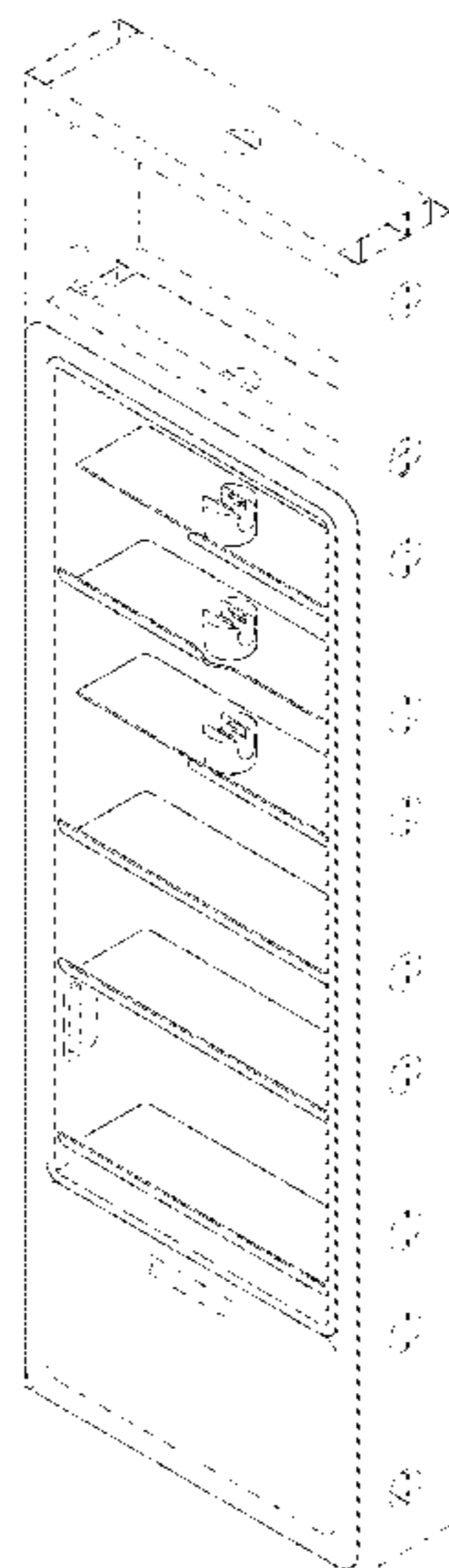
(56) **References Cited**

U.S. PATENT DOCUMENTS

4,360,991 A * 11/1982 West E04B 2/7416
312/286
D290,658 S * 6/1987 Bianchin Scarpa D25/58
D357,829 S * 5/1995 Lanza D6/552
7,377,397 B2 * 5/2008 Lee F25D 25/02
211/134
D630,230 S * 1/2011 Yang D15/81
D630,231 S * 1/2011 Yang D15/81

The broken lines depict portions of the indoor wall for the built-in home appliances that form no part of the claimed design. The portions of FIG. 6 showing a bottle drawn in broken lines show environmental structure only and form no part of the claimed design.

1 Claim, 7 Drawing Sheets



(56)

References Cited

U.S. PATENT DOCUMENTS

D870,319 S * 12/2019 Albarran D25/58
D892,872 S * 8/2020 Cho D15/79
D895,692 S * 9/2020 Cho D15/79
D901,556 S * 11/2020 Cho D15/79
D914,772 S * 3/2021 Kim F25D 25/025
D15/89
D921,066 S * 6/2021 Lee D15/89
D922,355 S * 6/2021 Lee D14/217
D927,897 S * 8/2021 Chu D6/657
D929,369 S * 8/2021 Lee D14/217
D931,912 S * 9/2021 Mochizuki D15/89
2007/0170823 A1 * 7/2007 Stannis A47B 81/06
312/7.2
2010/0319374 A1 * 12/2010 Ihle F25D 17/045
62/176.1
2016/0327328 A1 * 11/2016 Jeong F25D 17/042

* cited by examiner

FIG. 1

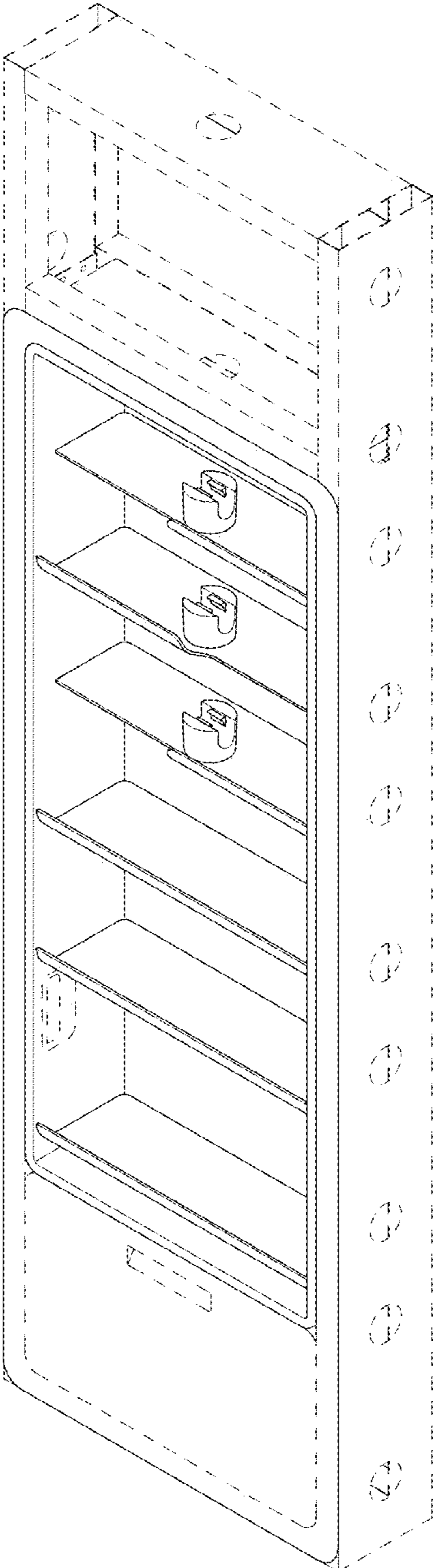


FIG. 2

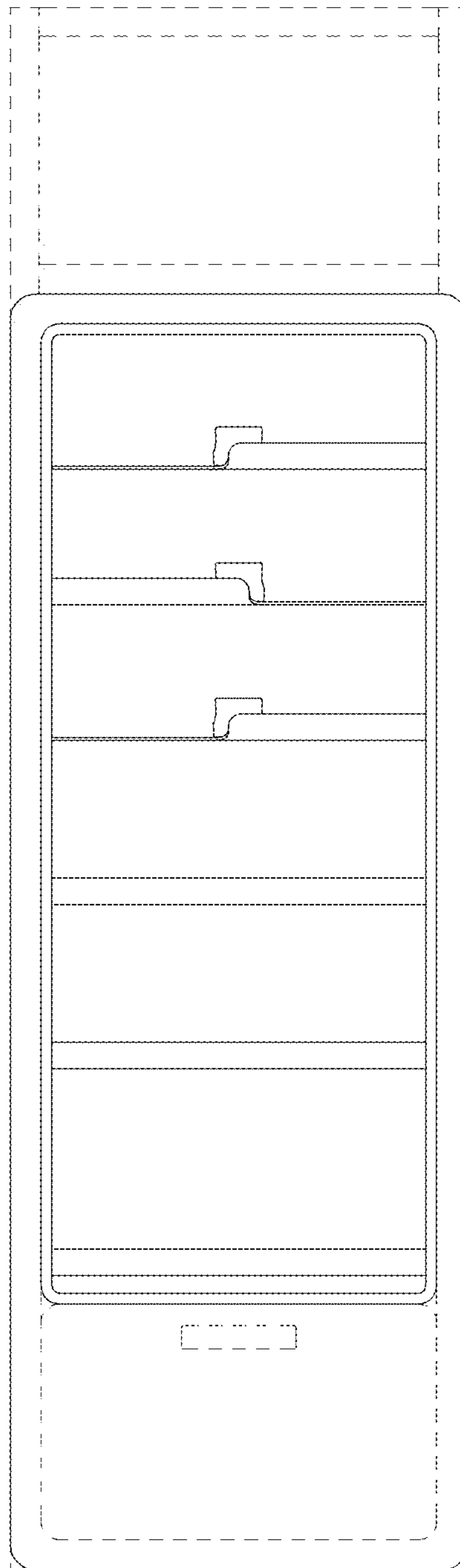


FIG. 3

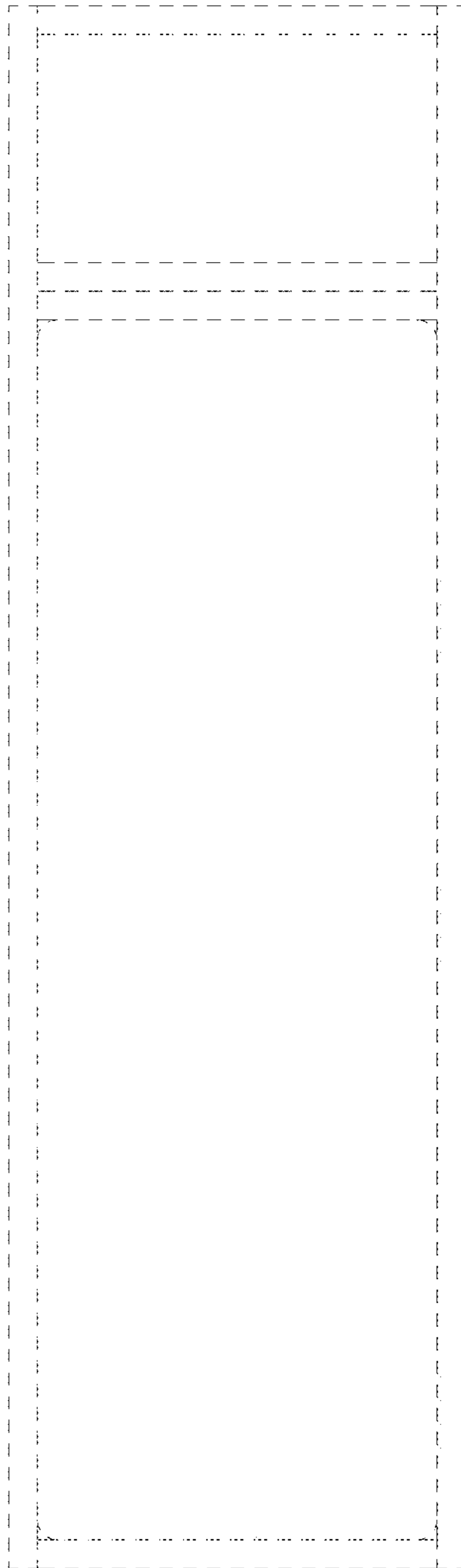


FIG. 4

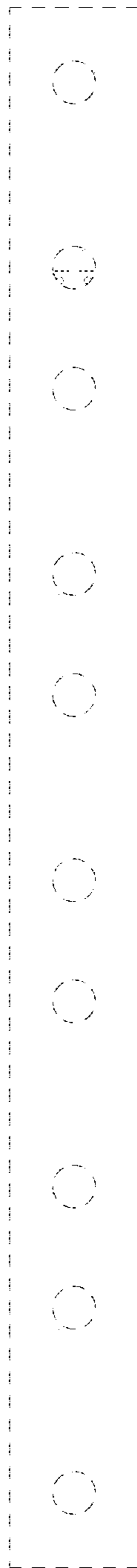


FIG. 5



FIG. 6

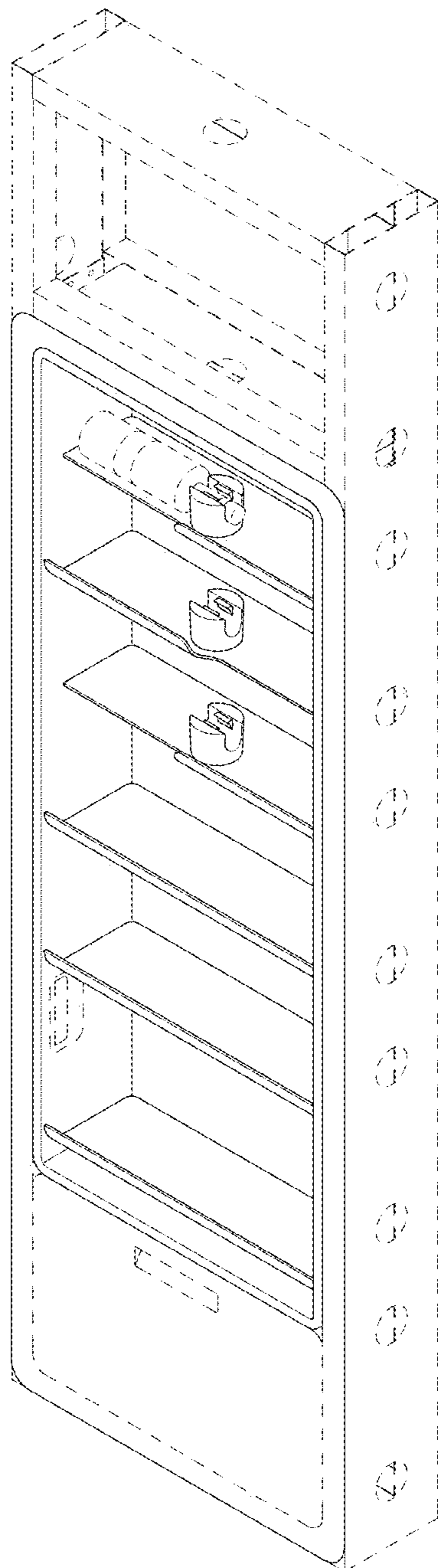


FIG. 7

