

US00D963707S

(12) **United States Design Patent**
Zhang

(10) **Patent No.:** **US D963,707 S**
(45) **Date of Patent:** **** Sep. 13, 2022**

(54) **PORTABLE FRIDGE**

(71) Applicant: **SHENZHEN JINGNUO TECHNOLOGY CO., LTD.**, Shenzhen (CN)

(72) Inventor: **Xiaomeng Zhang**, Shenzhen (CN)

(73) Assignee: **SHENZHEN JINGNUO TECHNOLOGY CO., LTD.**, Shenzhen (CN)

(**) Term: **15 Years**

(21) Appl. No.: **29/829,926**

(22) Filed: **Mar. 9, 2022**

(51) **LOC (13) Cl.** **15-07**

(52) **U.S. Cl.**
USPC **D15/79**

(58) **Field of Classification Search**
USPC D15/79-91; D7/603-608; D3/272-274
CPC F25D 17/02; F25D 11/003; F25D 19/003;
F25D 19/02; F25D 21/04; F25D 2201/14;
F25D 2331/803; F25D 2331/805; F25D
23/006; F25D 23/028; F25D 23/065;
F25D 23/066; F25D 23/085; F25D
2400/20; F25D 2400/28; F25D 2400/38;
F25D 2700/16; F25D 29/00; F25D
29/003; F25D 29/005; F25D 31/006;
F25D 31/007

See application file for complete search history.

(56) **References Cited**

U.S. PATENT DOCUMENTS

10,731,919 B1 * 8/2020 Gutierrez F25D 27/005
D905,129 S * 12/2020 Deng D15/81

D906,377 S * 12/2020 Tang D15/79
D907,074 S * 1/2021 Yang D15/83
D917,977 S * 5/2021 Brunner D7/605
D919,678 S 5/2021 Yang
D922,148 S * 6/2021 Yang D7/605
D922,454 S * 6/2021 Tang D15/79
D927,562 S 8/2021 Kong
D927,939 S * 8/2021 Ellison D7/605
D929,189 S * 8/2021 Pennington D7/605
D937,328 S * 11/2021 Tang D15/79
2021/0018250 A1 * 1/2021 Tang F25B 27/00
2021/0229893 A1 * 7/2021 Maldonado B65D 43/22
2021/0285710 A1 * 9/2021 Barros F25D 3/08
2021/0285716 A1 * 9/2021 Kalajyan B65D 25/20
2021/0296711 A1 * 9/2021 Zhao H02J 7/0045

* cited by examiner

Primary Examiner — Khawaja Anwar

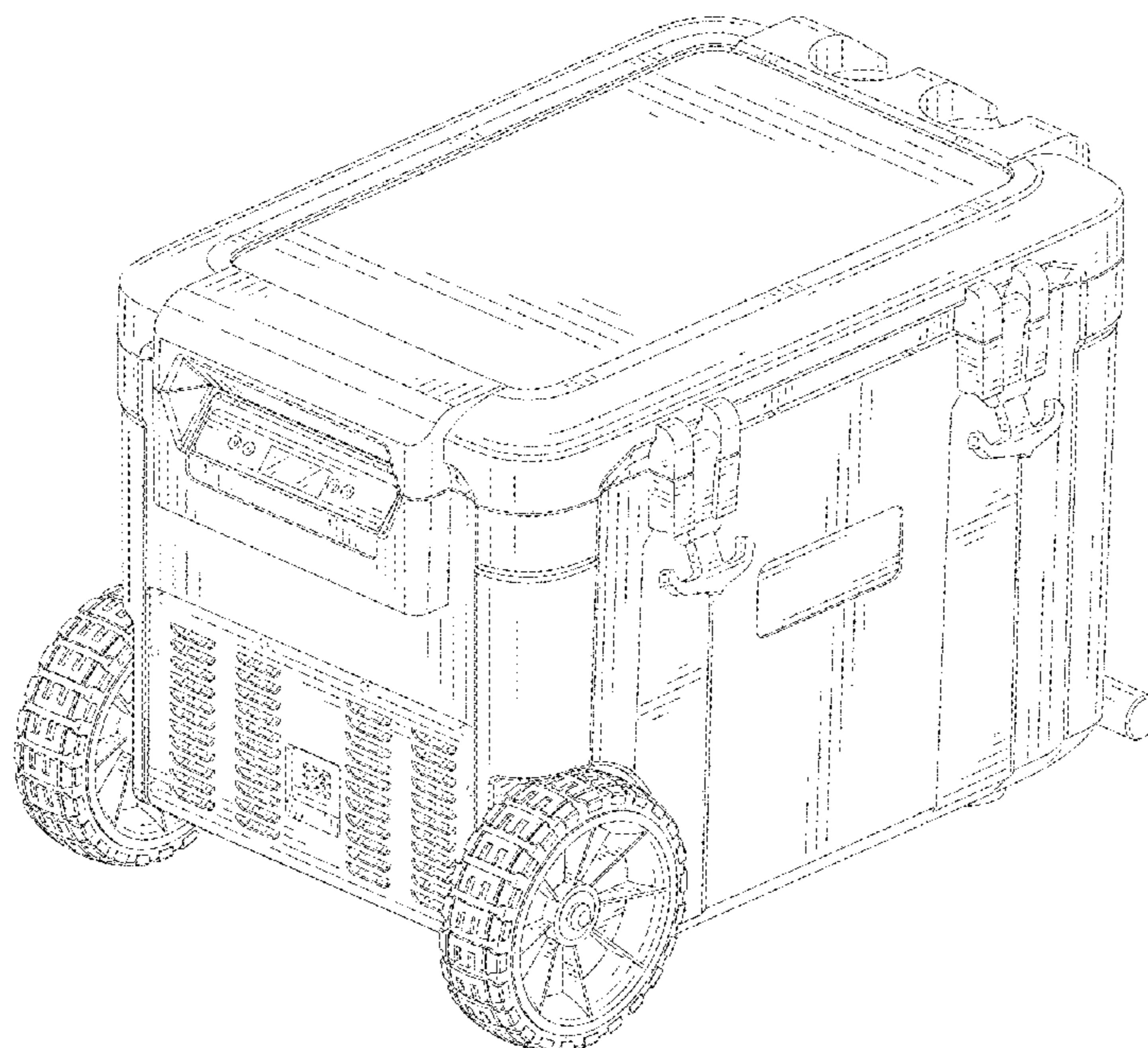
(57) **CLAIM**

The ornamental design for a portable fridge, as shown and described.

DESCRIPTION

FIG. 1 is a perspective view of a portable fridge showing my new design;
FIG. 2 is another perspective view thereof;
FIG. 3 is a front elevational view thereof;
FIG. 4 is a rear elevational view thereof;
FIG. 5 is a left side elevational view thereof;
FIG. 6 is a right side elevational view thereof;
FIG. 7 is a top plan view thereof;
FIG. 8 is a bottom plan view thereof; and,
FIG. 9 is an enlarged view of portion 9 shown in FIG. 2.
The dash-dash broken lines in the drawings depict portions of the portable fridge that form no part of the claimed design. The dot-dash broken lines represent boundaries of the enlarged portion and form no part of the claimed design.

1 Claim, 9 Drawing Sheets



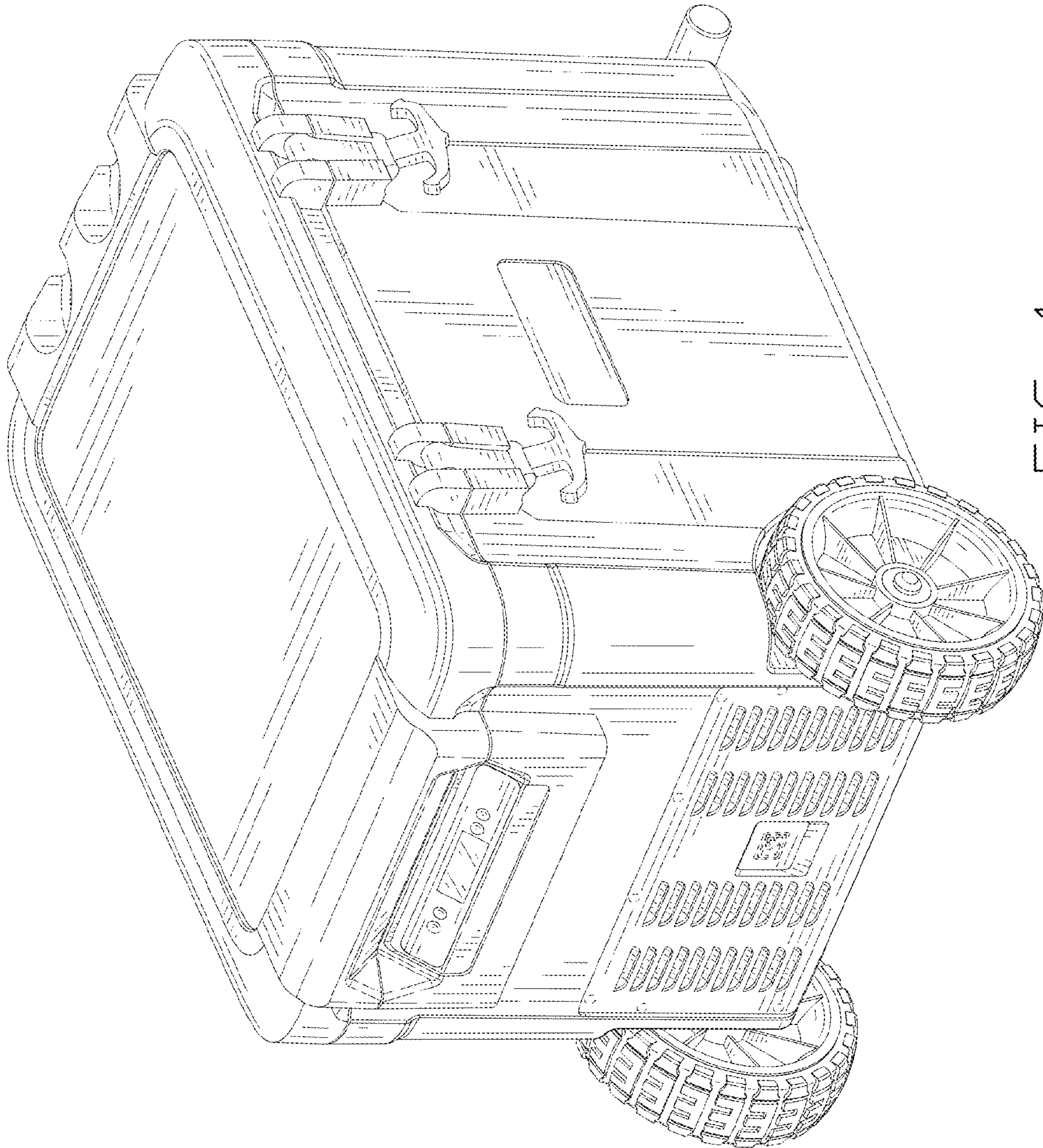


FIG. 1

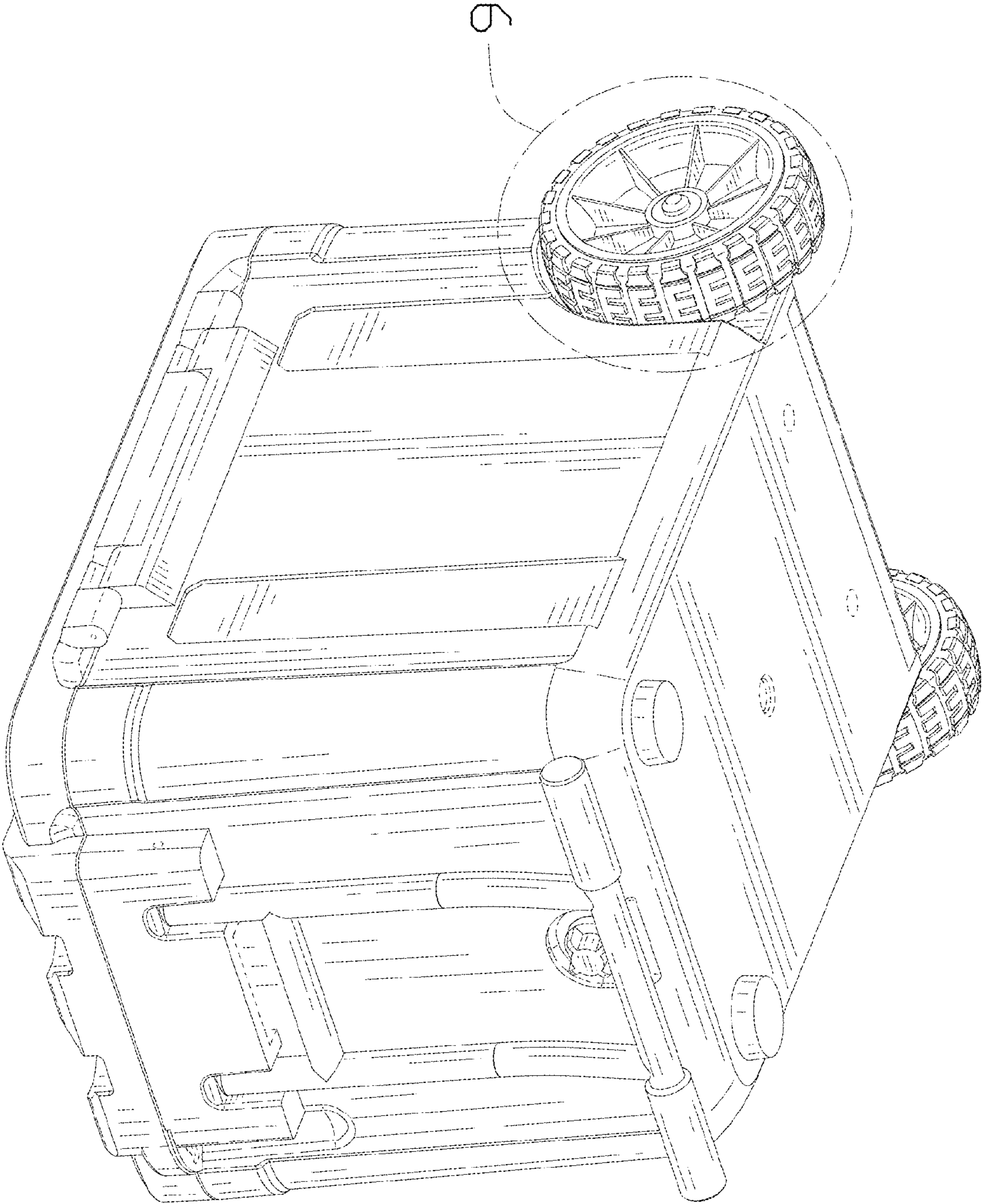


FIG. 2

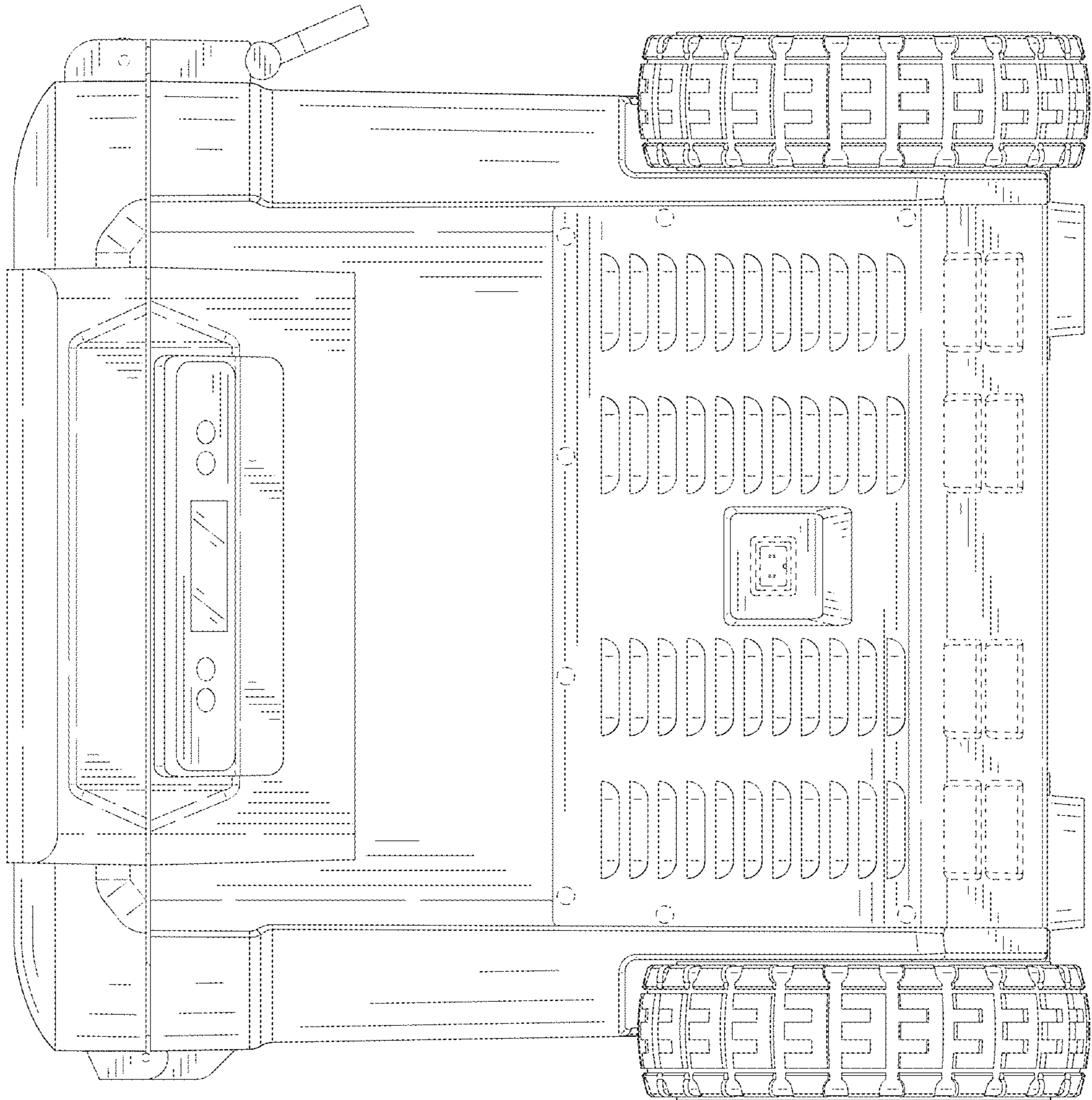


FIG. 3

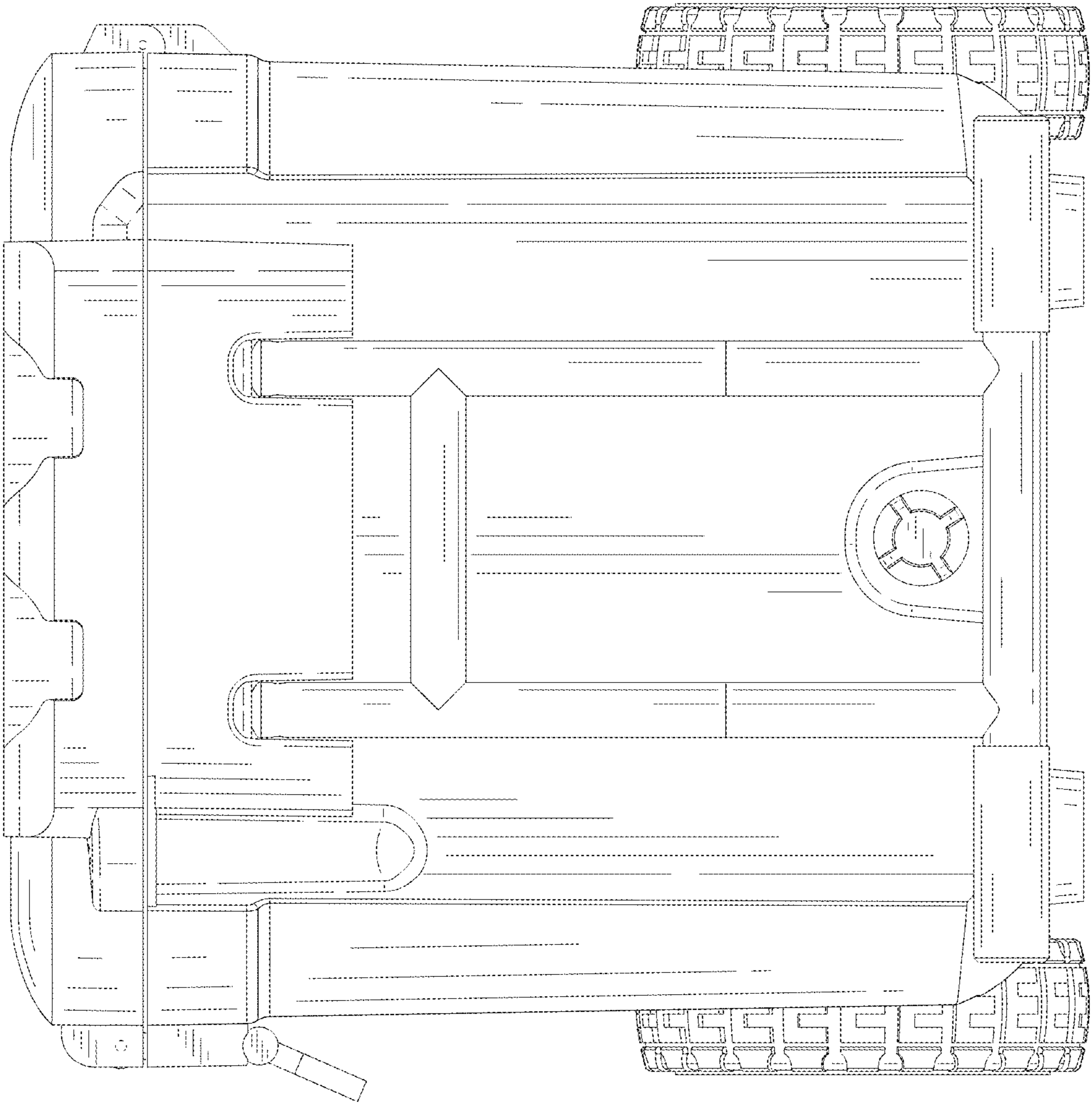


FIG. 4

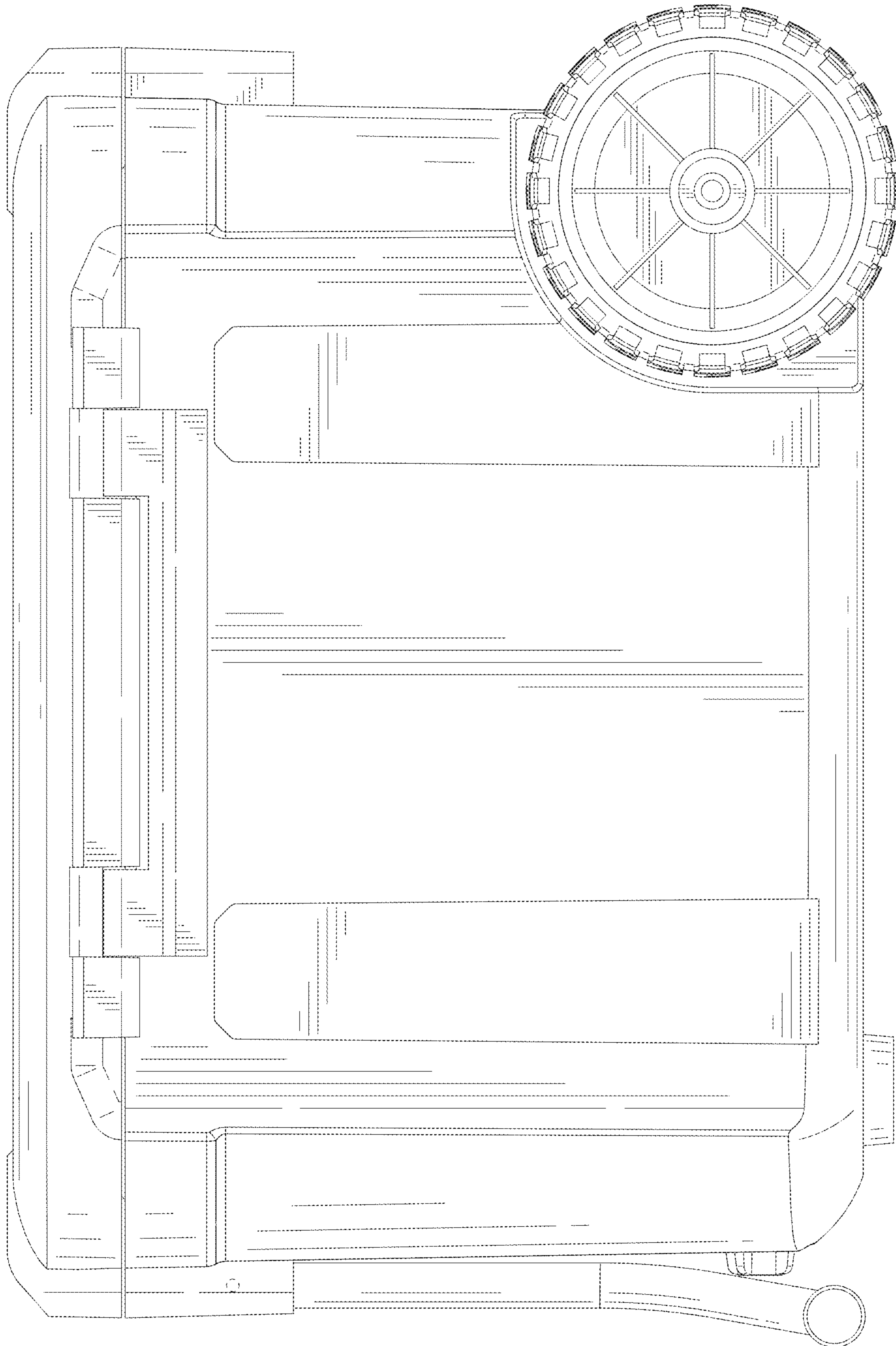


FIG. 5

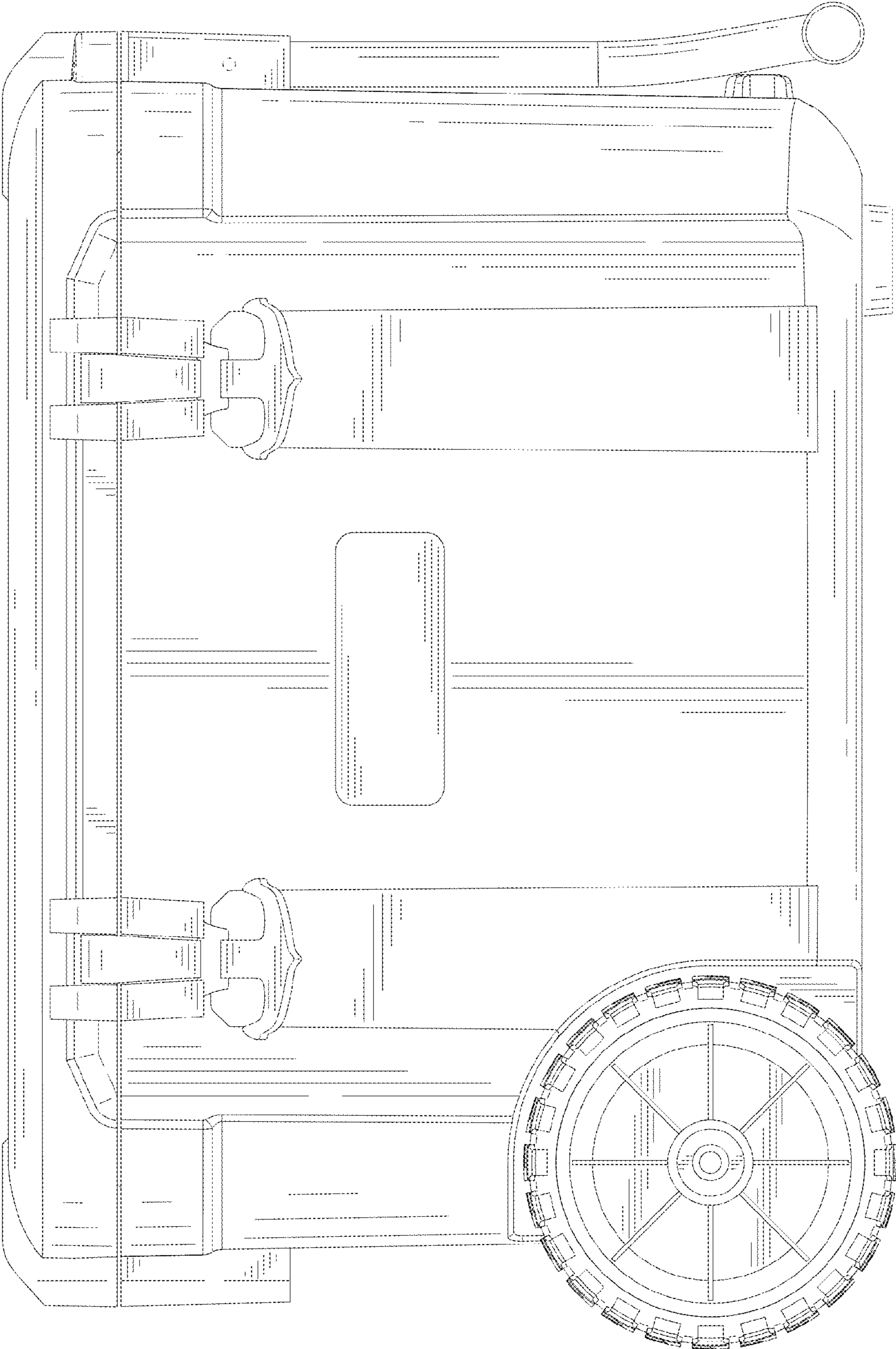


FIG. 6

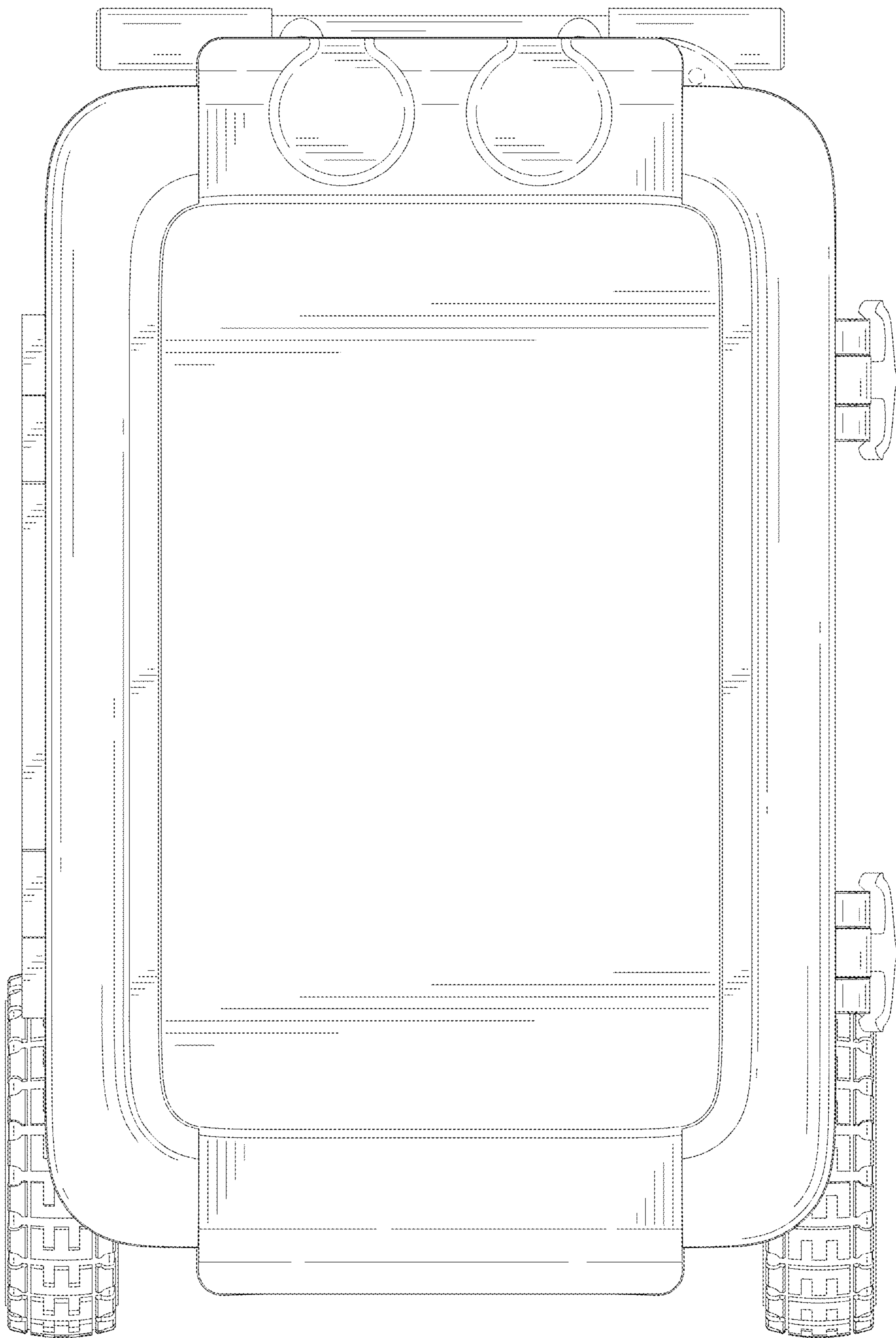


FIG. 7

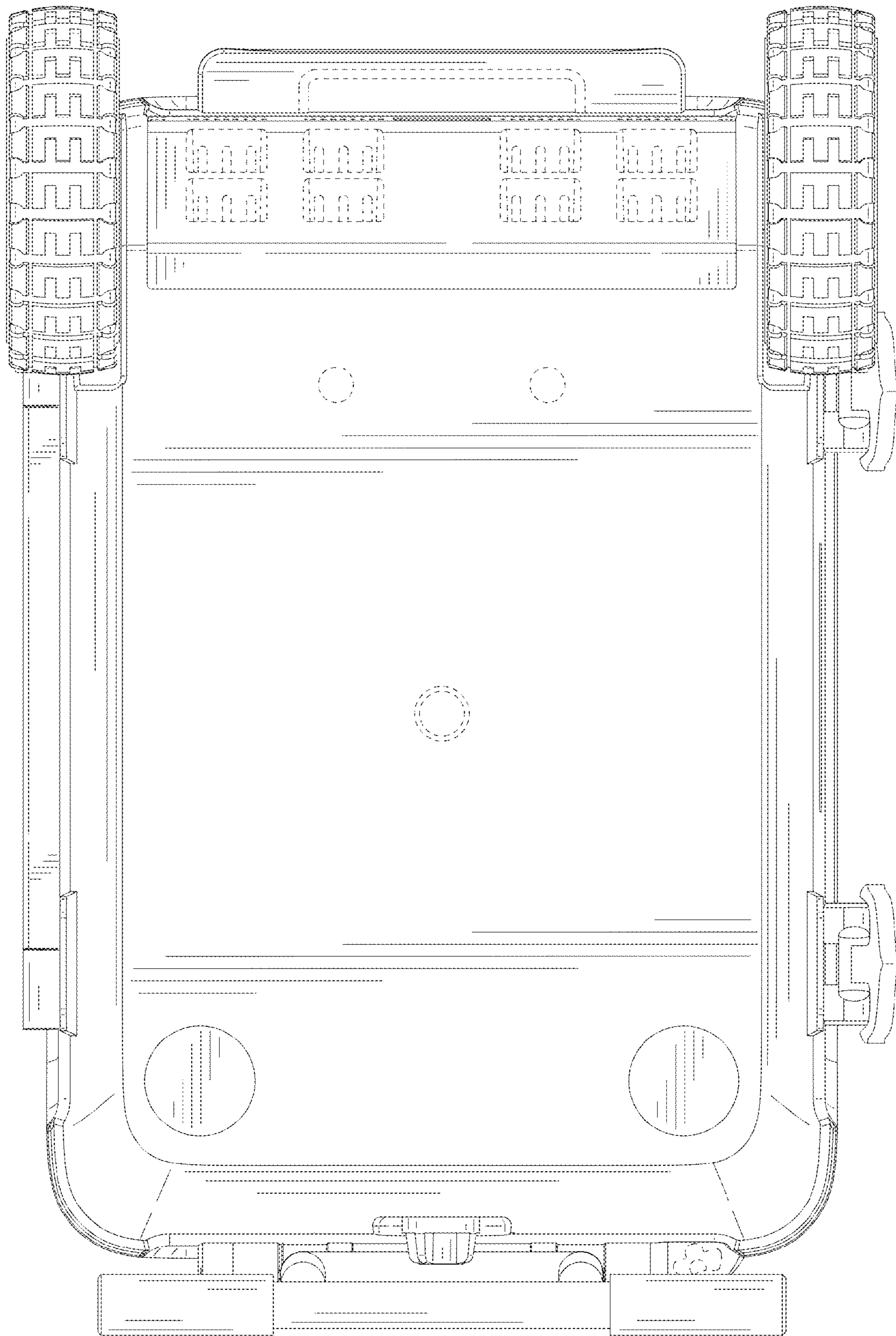


FIG. 8

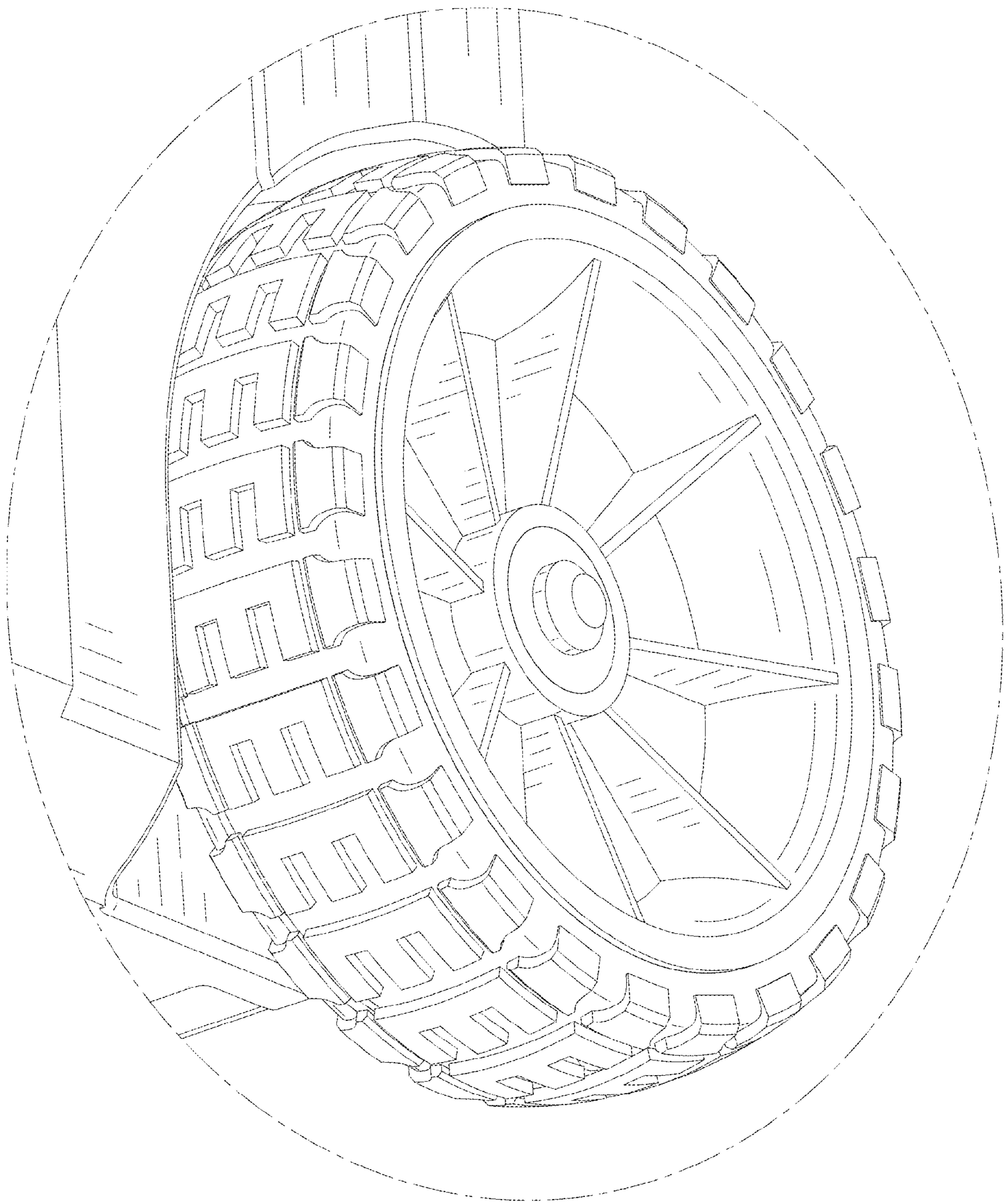


FIG. 9