



US00D963706S

(12) **United States Design Patent**
Deng

(10) **Patent No.:** **US D963,706 S**

(45) **Date of Patent:** **** Sep. 13, 2022**

(54) **REFRIGERATOR**

(71) Applicant: **GUANGZHOU TSUNAMI INDUSTRIAL EQUIPMENT CO., LTD.**, Guangzhou (CN)

(72) Inventor: **Junlin Deng**, Guangzhou (CN)

(73) Assignee: **GUANGZHOU TSUNAMI INDUSTRIAL EQUIPMENT CO., LTD.**, Guangzhou (CN)

(**) Term: **15 Years**

(21) Appl. No.: **29/812,130**

(22) Filed: **Oct. 19, 2021**

(51) **LOC (13) Cl.** **15-07**

(52) **U.S. Cl.**
USPC **D15/79**

(58) **Field of Classification Search**
USPC D15/79-91; D7/603-608; D3/272-274
CPC F25D 17/02; F25D 11/003; F25D 19/003;
F25D 19/02; F25D 21/04; F25D 2201/14;
F25D 2331/803; F25D 2331/805; F25D
23/006; F25D 23/028; F25D 23/065;
F25D 23/066; F25D 23/085; F25D
2400/20; F25D 2400/28; F25D 2400/38;
F25D 2700/16; F25D 29/00; F25D
29/003; F25D 29/005; F25D 31/006;
F25D 31/007

See application file for complete search history.

(56) **References Cited**

U.S. PATENT DOCUMENTS

D649,783 S * 12/2011 Brunner D3/279
D667,697 S * 9/2012 Shah D7/605
D792,486 S * 7/2017 Li D15/81
D802,630 S * 11/2017 Li D15/81

D828,408 S * 9/2018 Huang D15/81
D905,129 S * 12/2020 Deng D15/81
D916,144 S * 4/2021 Deng D15/79
D943,355 S * 2/2022 Shah D7/605
D948,292 S * 4/2022 Deng D7/605
D952,006 S * 5/2022 Li D15/81
D952,699 S * 5/2022 Li D15/79

(Continued)

Primary Examiner — Khawaja Anwar

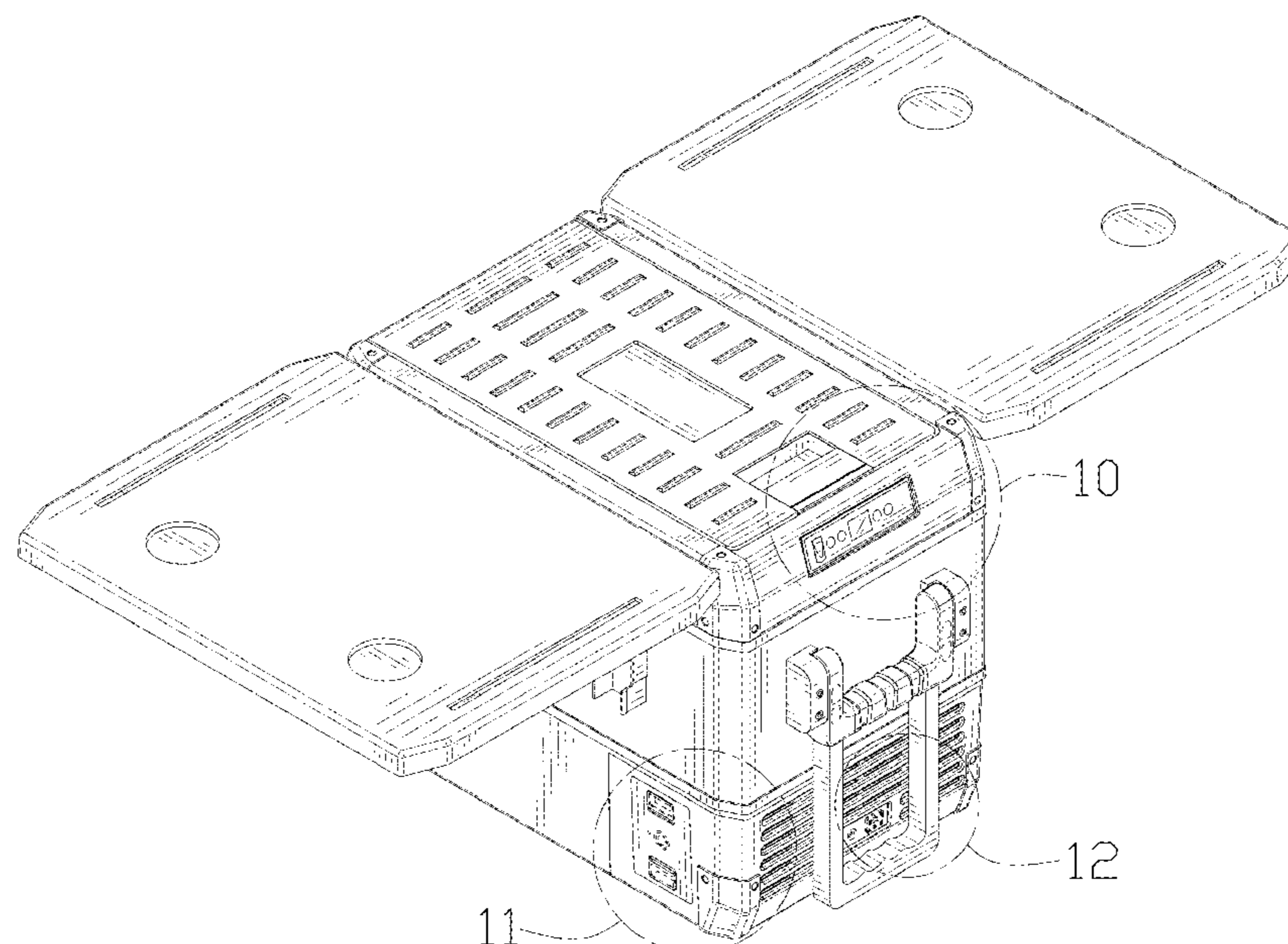
(57) **CLAIM**

The ornamental design for a refrigerator, as shown and described.

DESCRIPTION

FIG. 1 is a perspective view of a refrigerator showing my new design;
FIG. 2 is another perspective view thereof;
FIG. 3 is a front elevational view thereof;
FIG. 4 is a rear elevational view thereof;
FIG. 5 is a left side elevational view thereof;
FIG. 6 is a right side elevational view thereof;
FIG. 7 is a top plan view thereof;
FIG. 8 is a bottom plan view thereof;
FIG. 9 is a perspective view of the refrigerator where the refrigerator is in a configuration of use;
FIG. 10 is an enlarged view of portion 10 shown in FIG. 1;
FIG. 11 is an enlarged view of portion 11 shown in FIG. 1;
FIG. 12 is an enlarged view of portion 12 shown in FIG. 1;
FIG. 13 is an enlarged view of portion 13 shown in FIG. 2;
FIG. 14 is an enlarged view of portion 14 shown in FIG. 2; and,
FIG. 15 is an enlarged view of portion 15 shown in FIG. 2.
The dash-dash broken lines in the drawings depict portions of the refrigerator that form no part of the claimed design. The dot-dash broken lines represent boundaries of the enlarged portions and form no part of the claimed design.

1 Claim, 15 Drawing Sheets



(56)

References Cited

U.S. PATENT DOCUMENTS

D956,829 S * 7/2022 Li D15/79
D958,203 S * 7/2022 Tang D15/83
2017/0184335 A1 6/2017 Jeon et al.

* cited by examiner

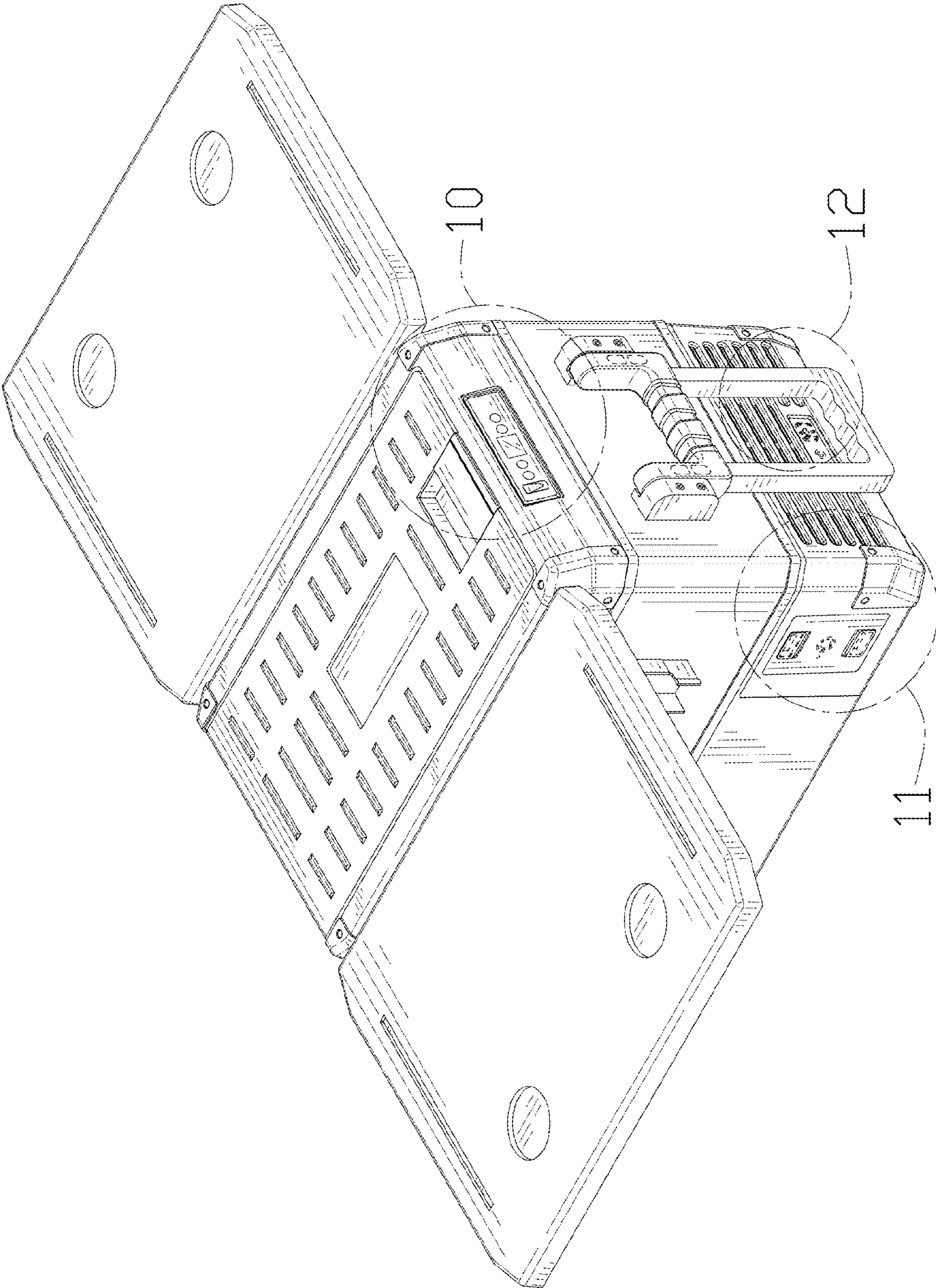


FIG. 1

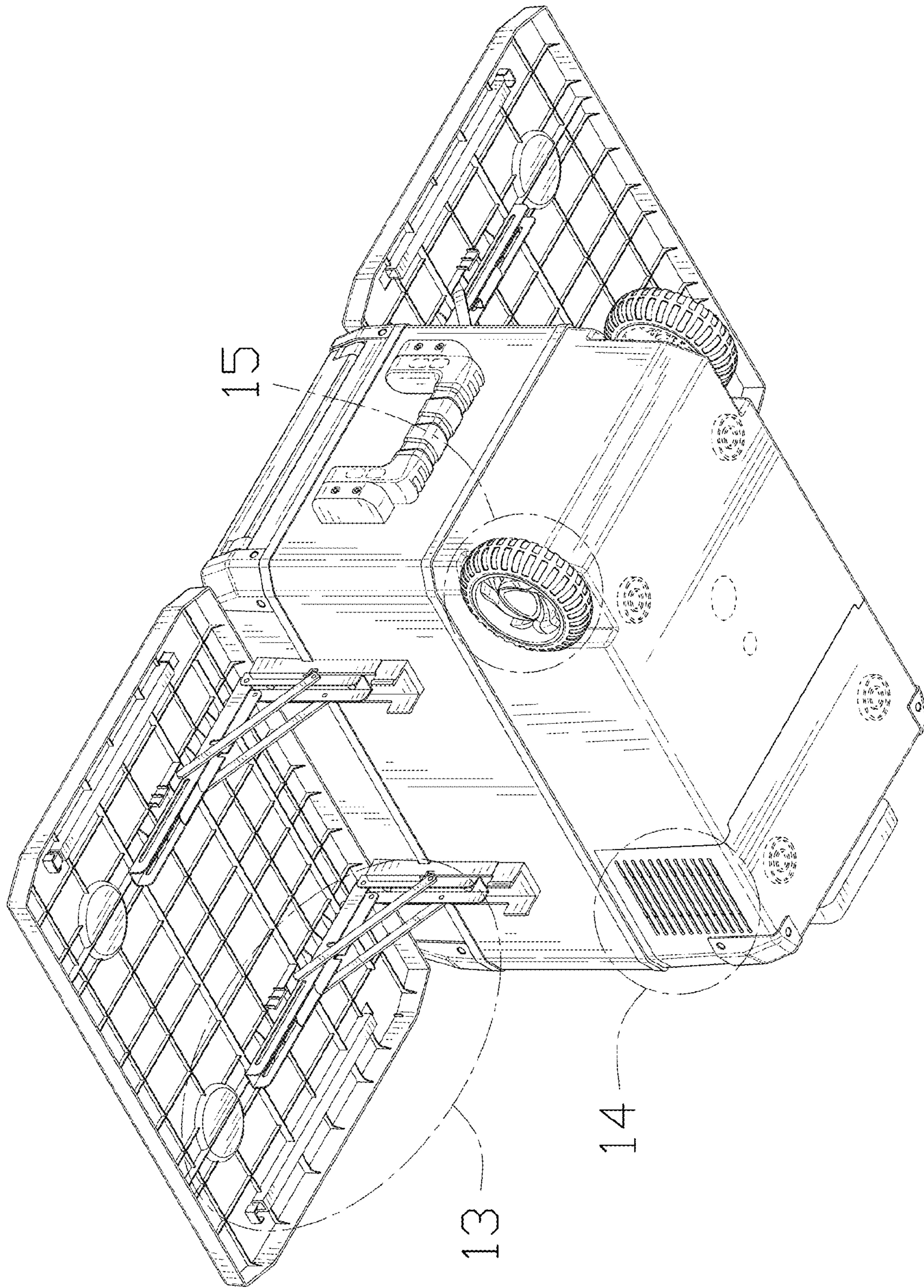


FIG. 2

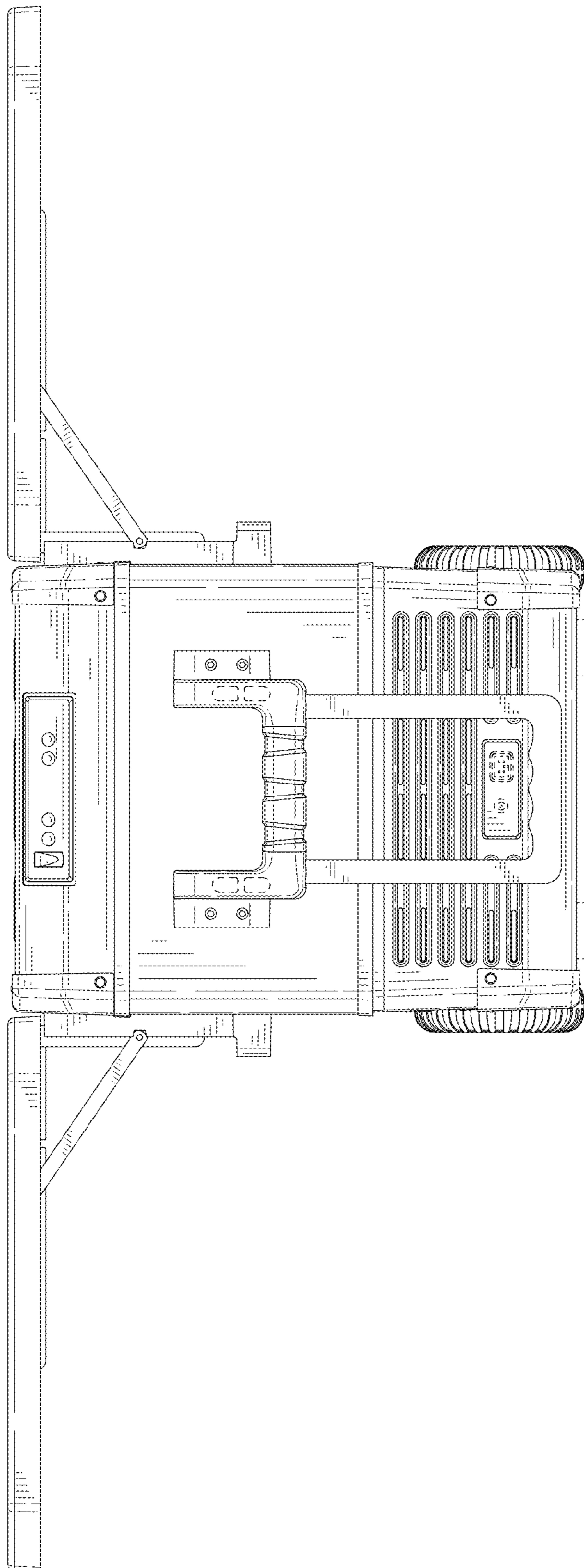


FIG. 3

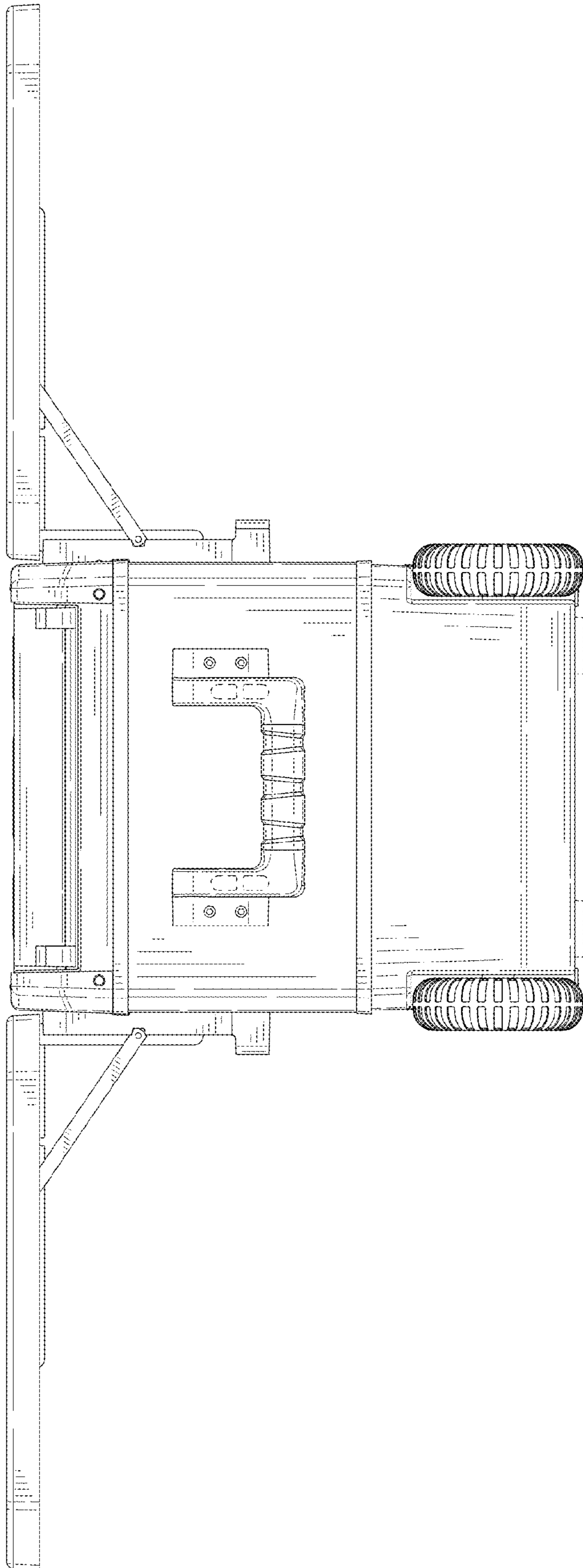


FIG. 4

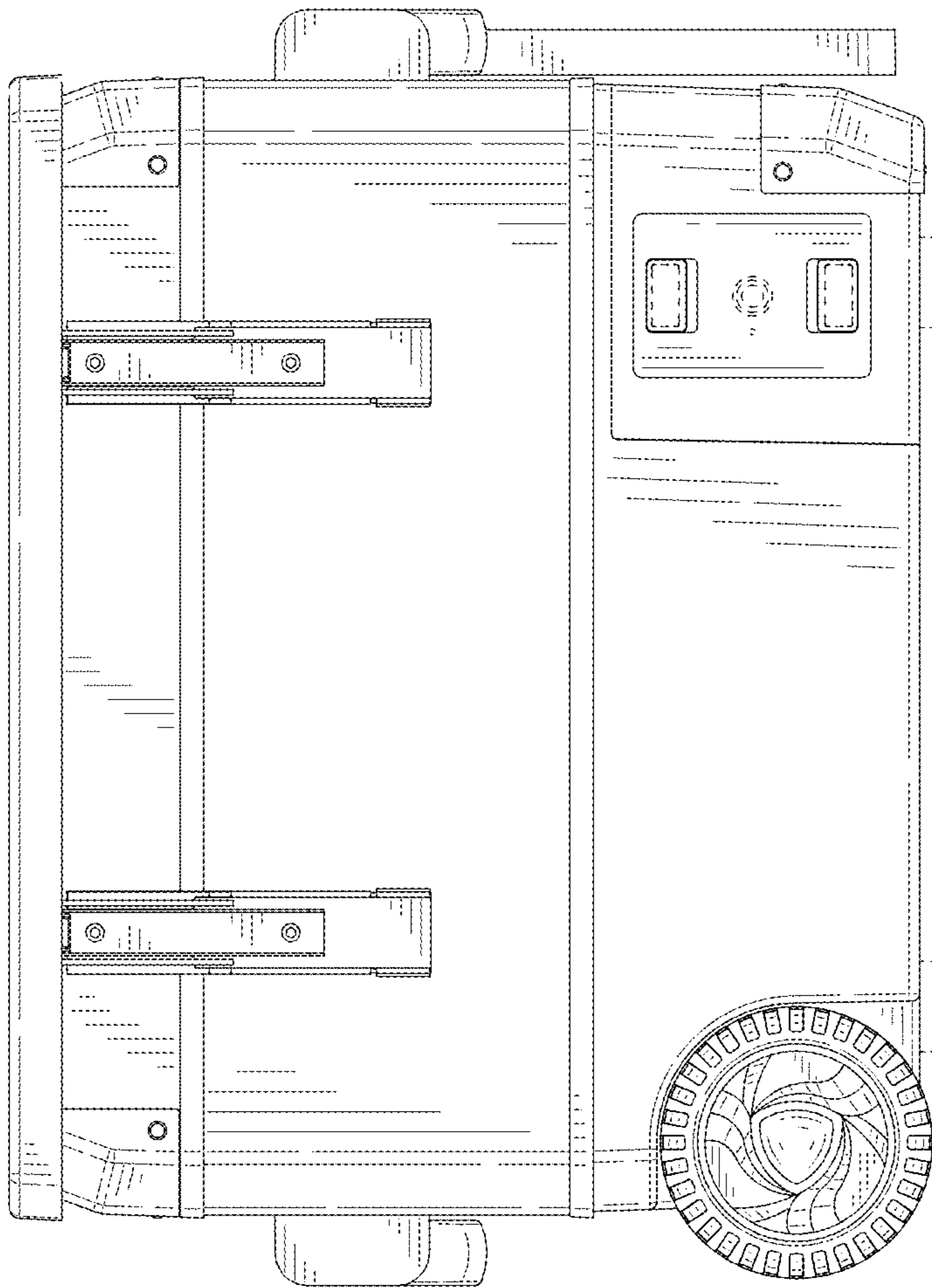


FIG. 5

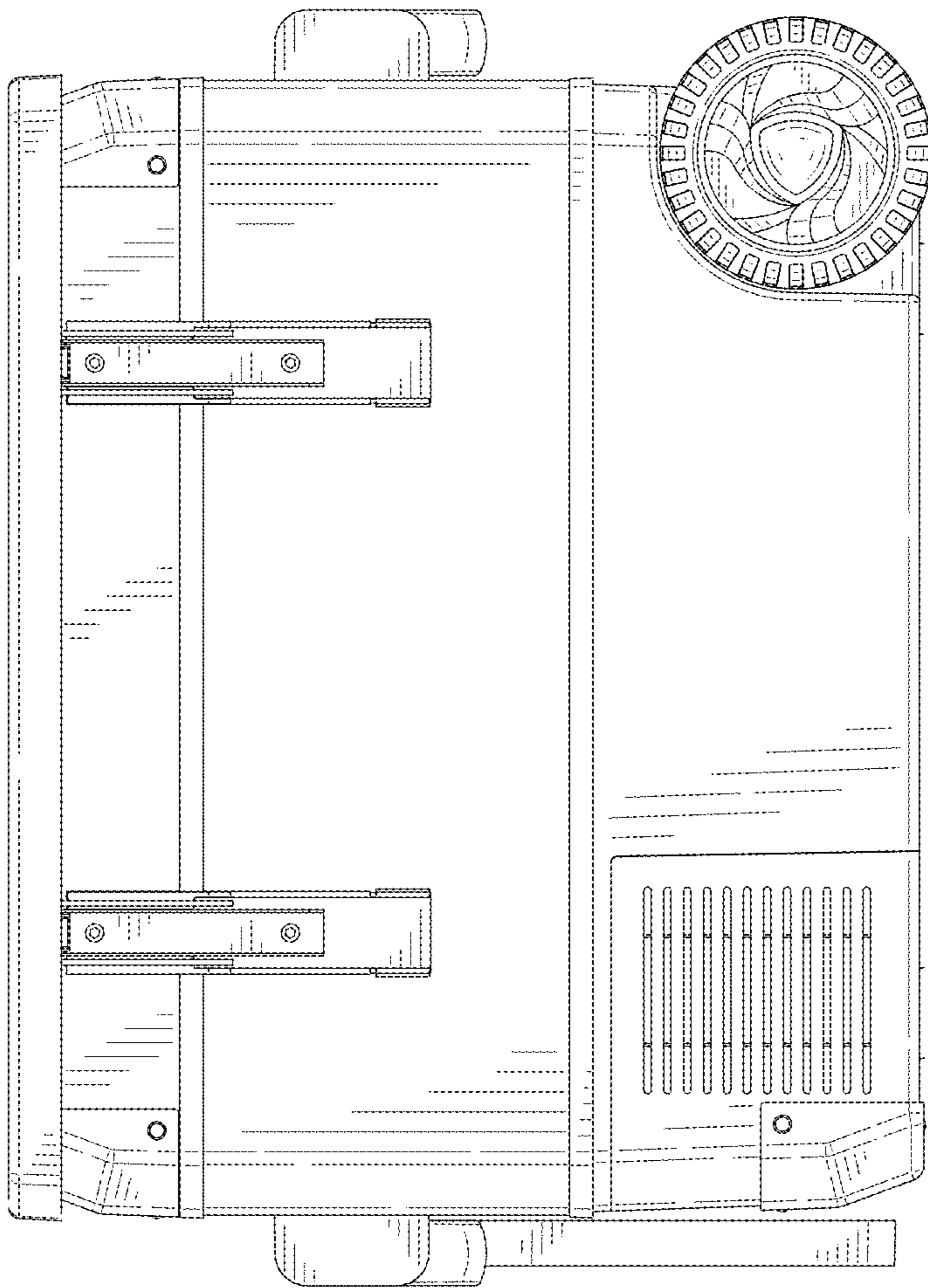


FIG. 6

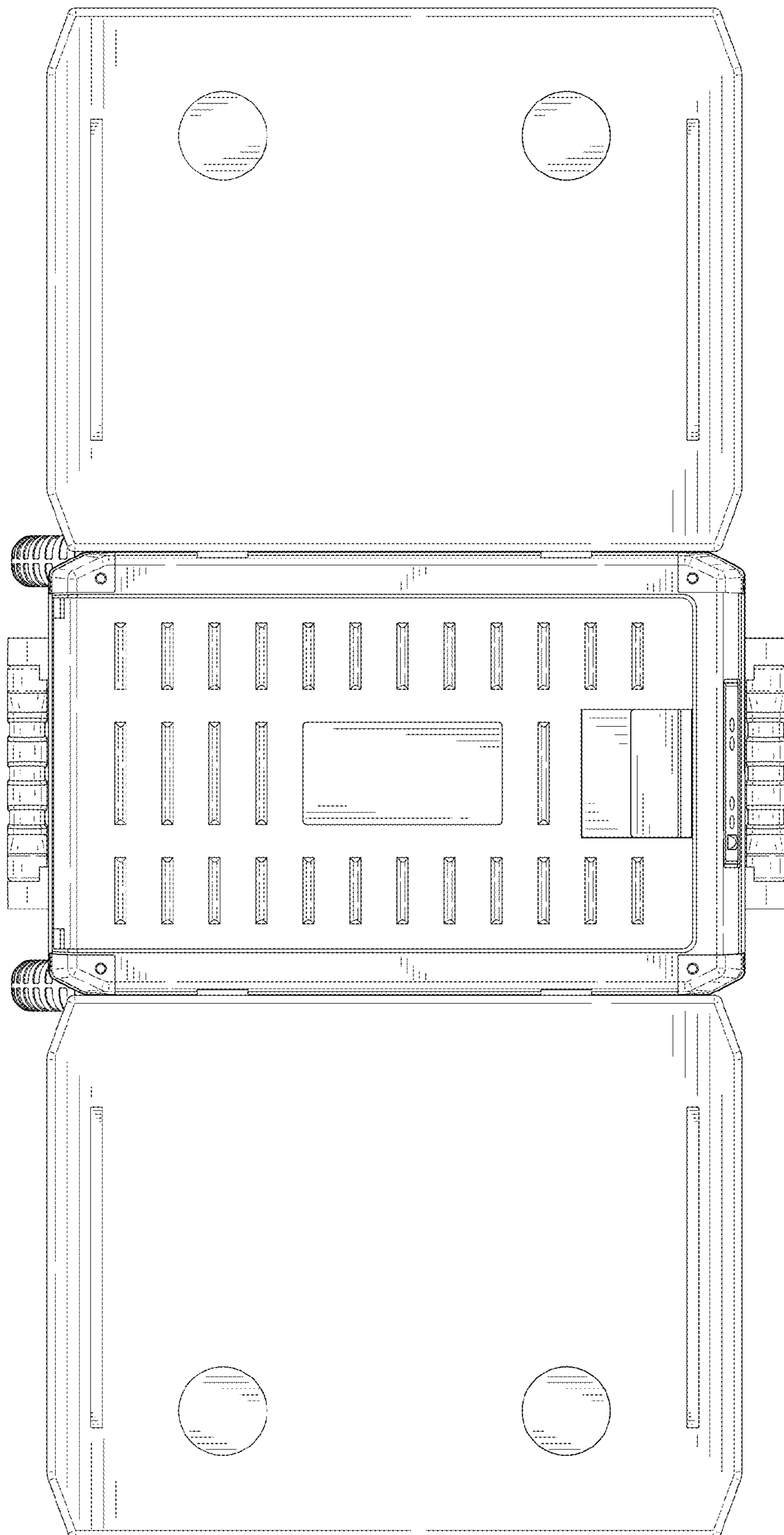


FIG. 7

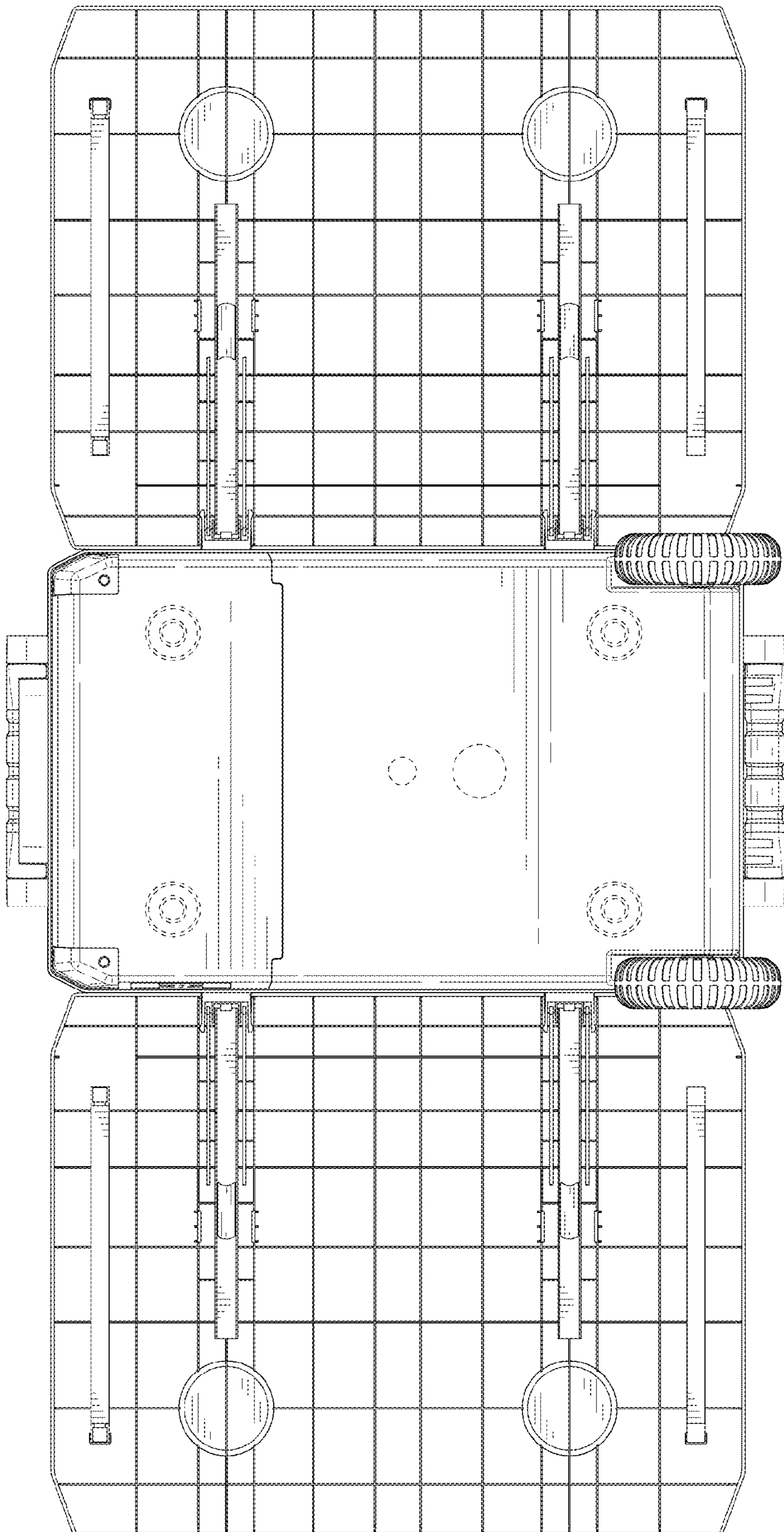


FIG. 8

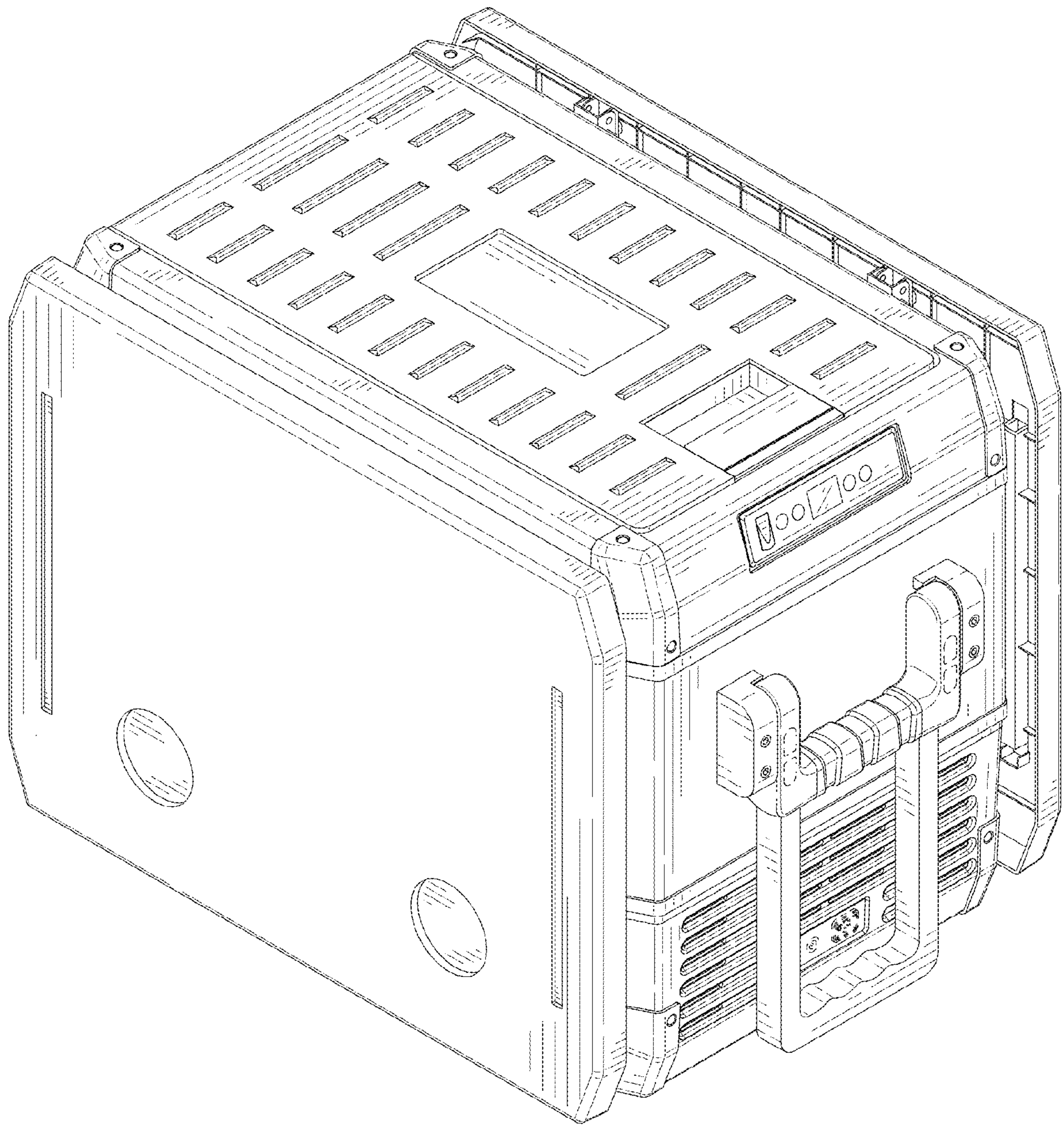


FIG. 9

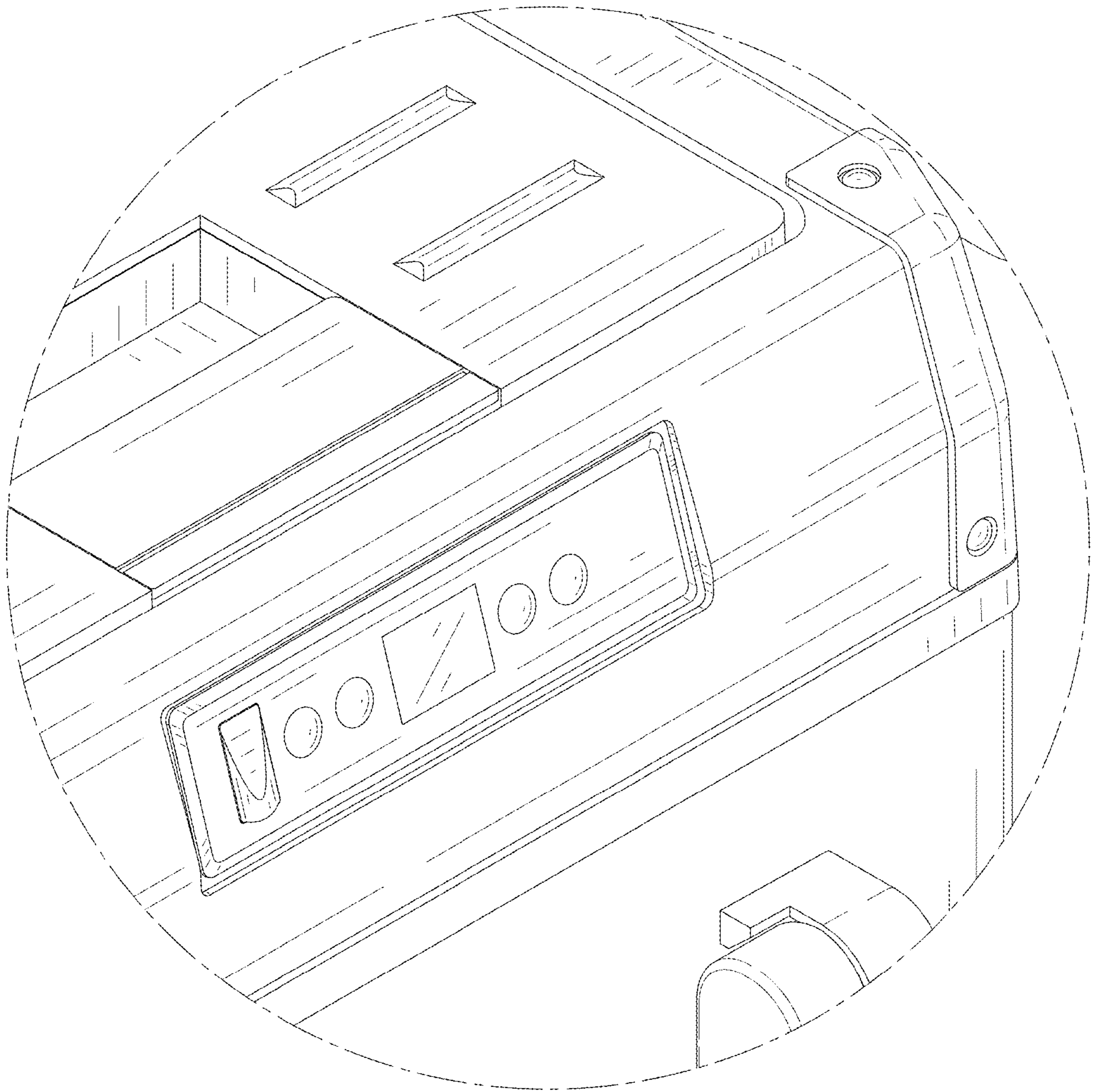


FIG. 10

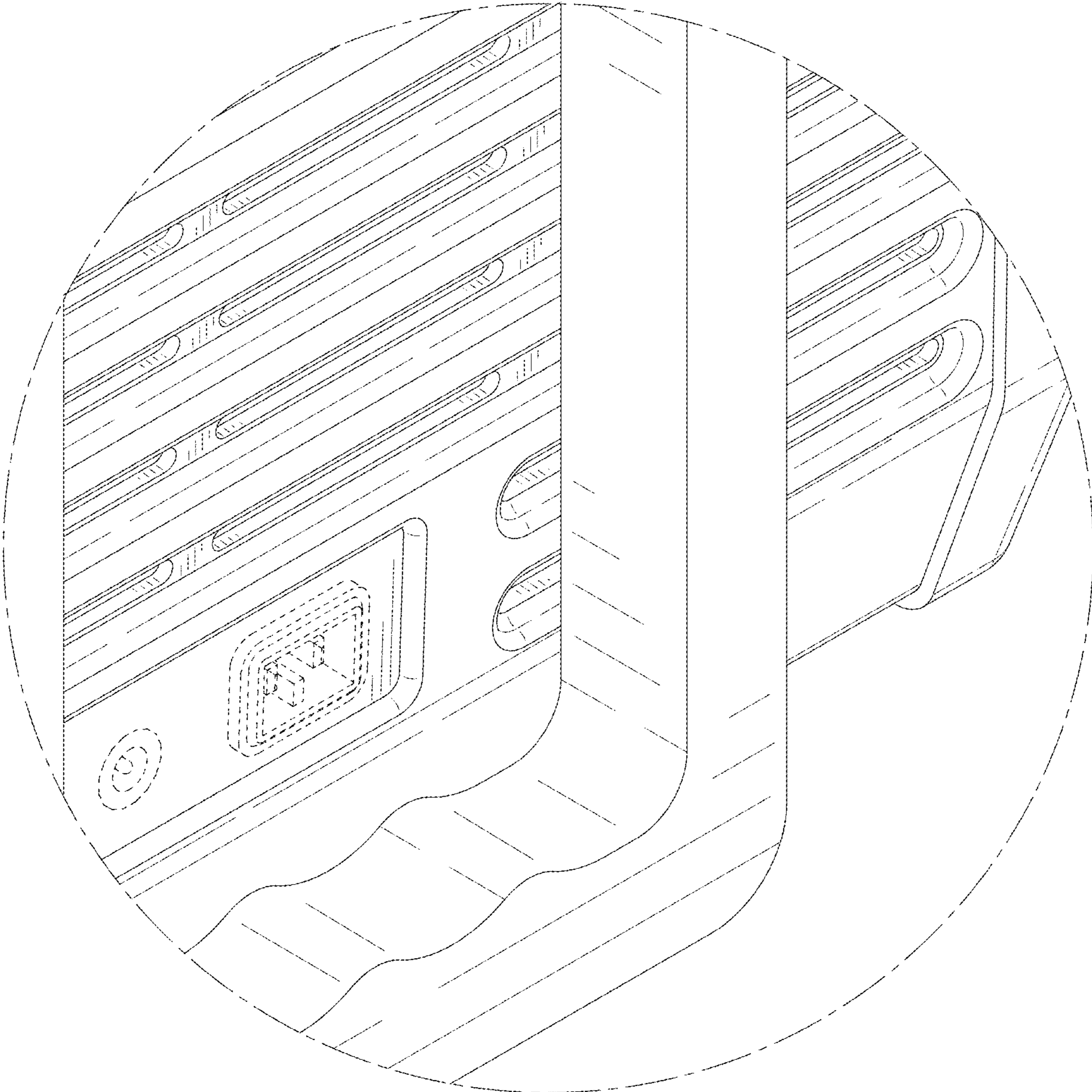


FIG. 11

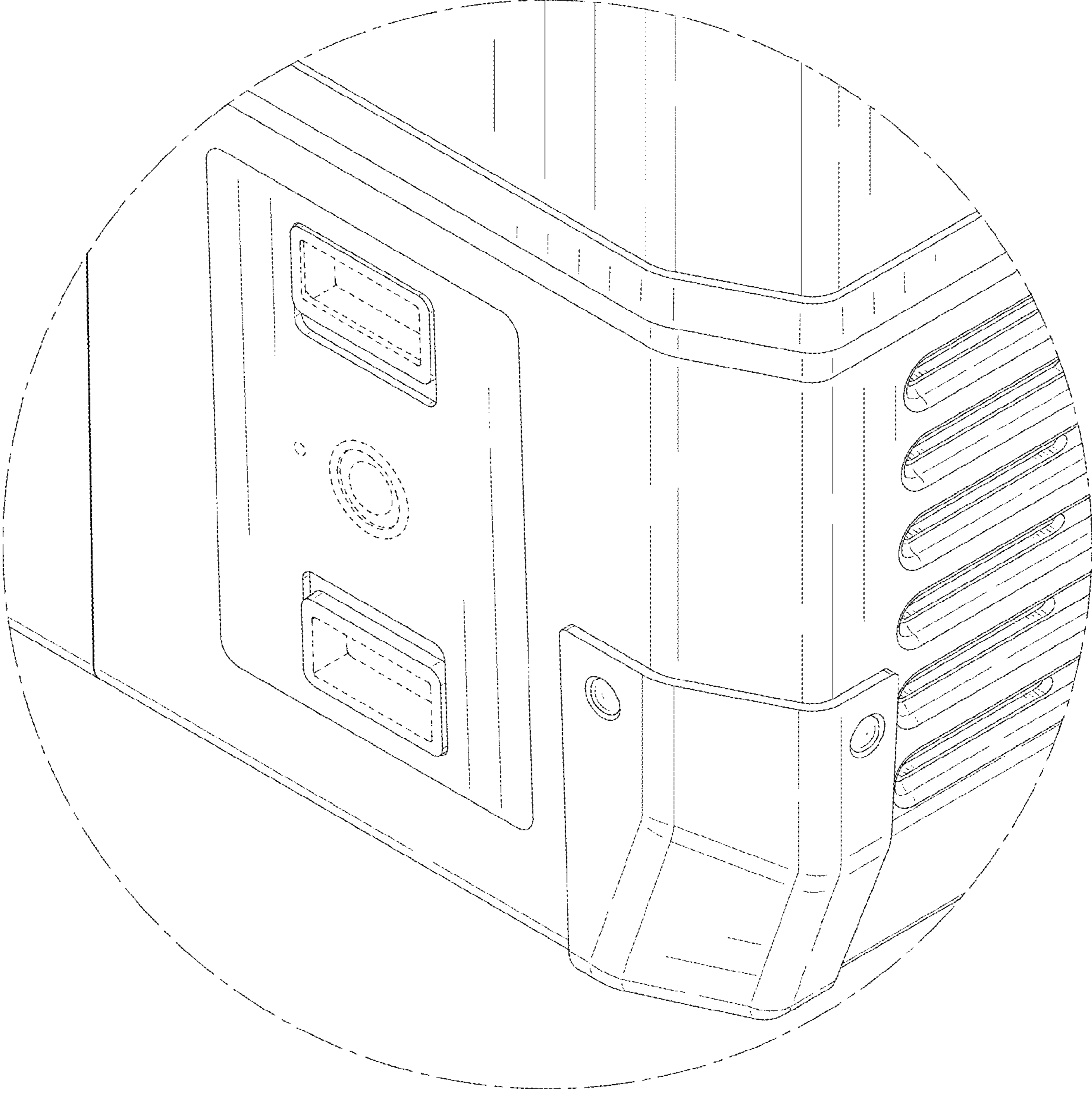


FIG. 12

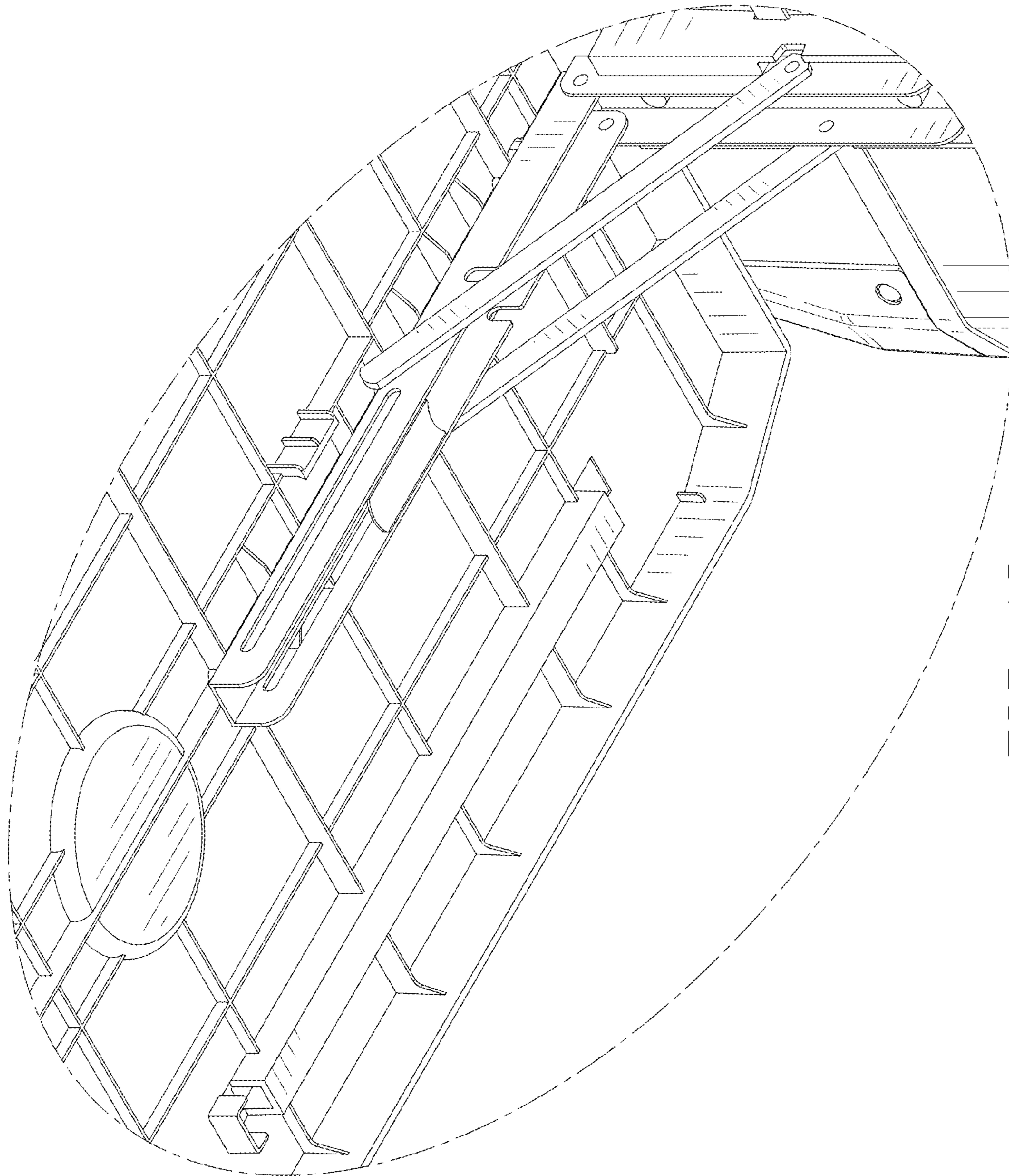


FIG. 13

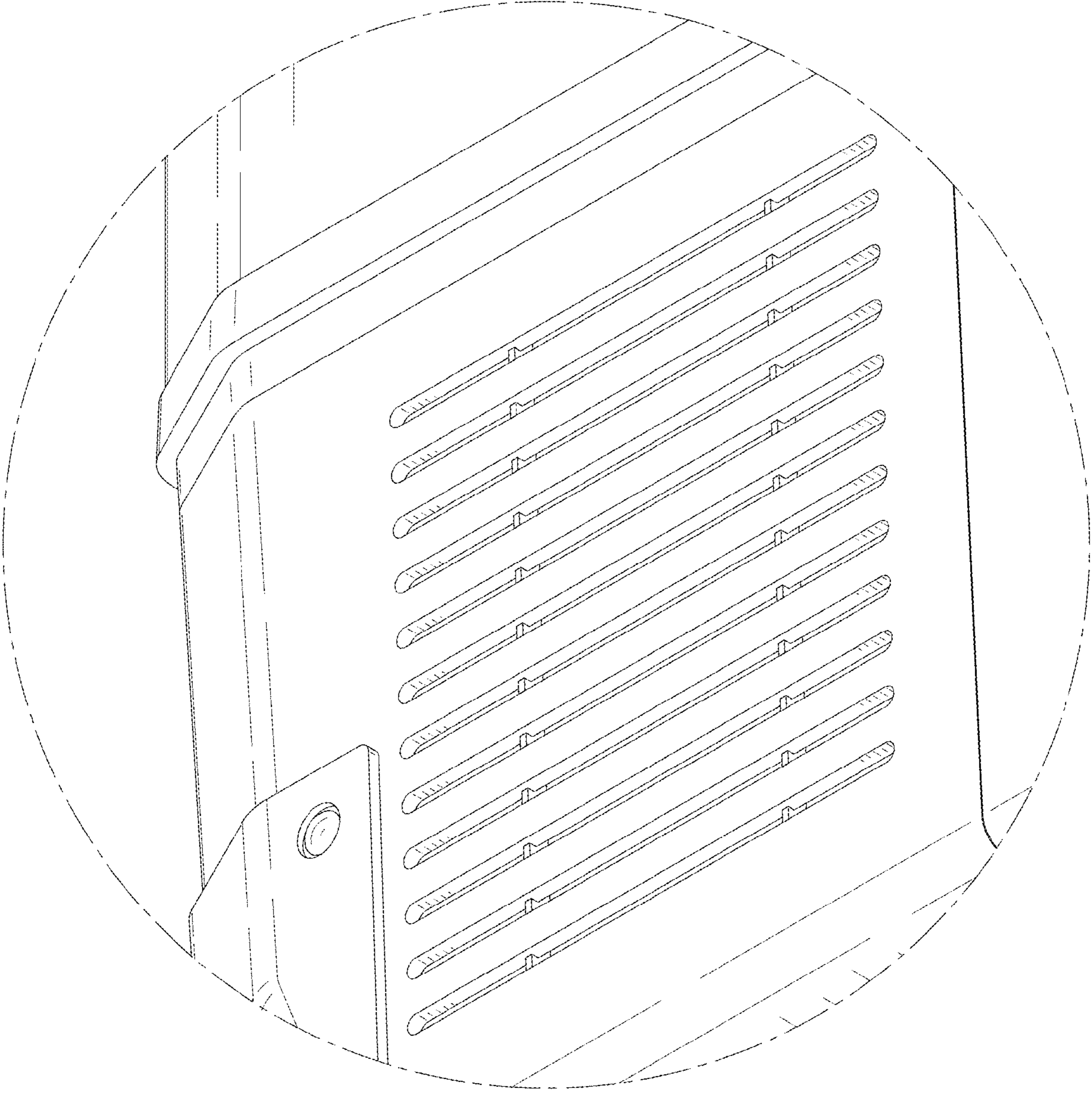


FIG. 14

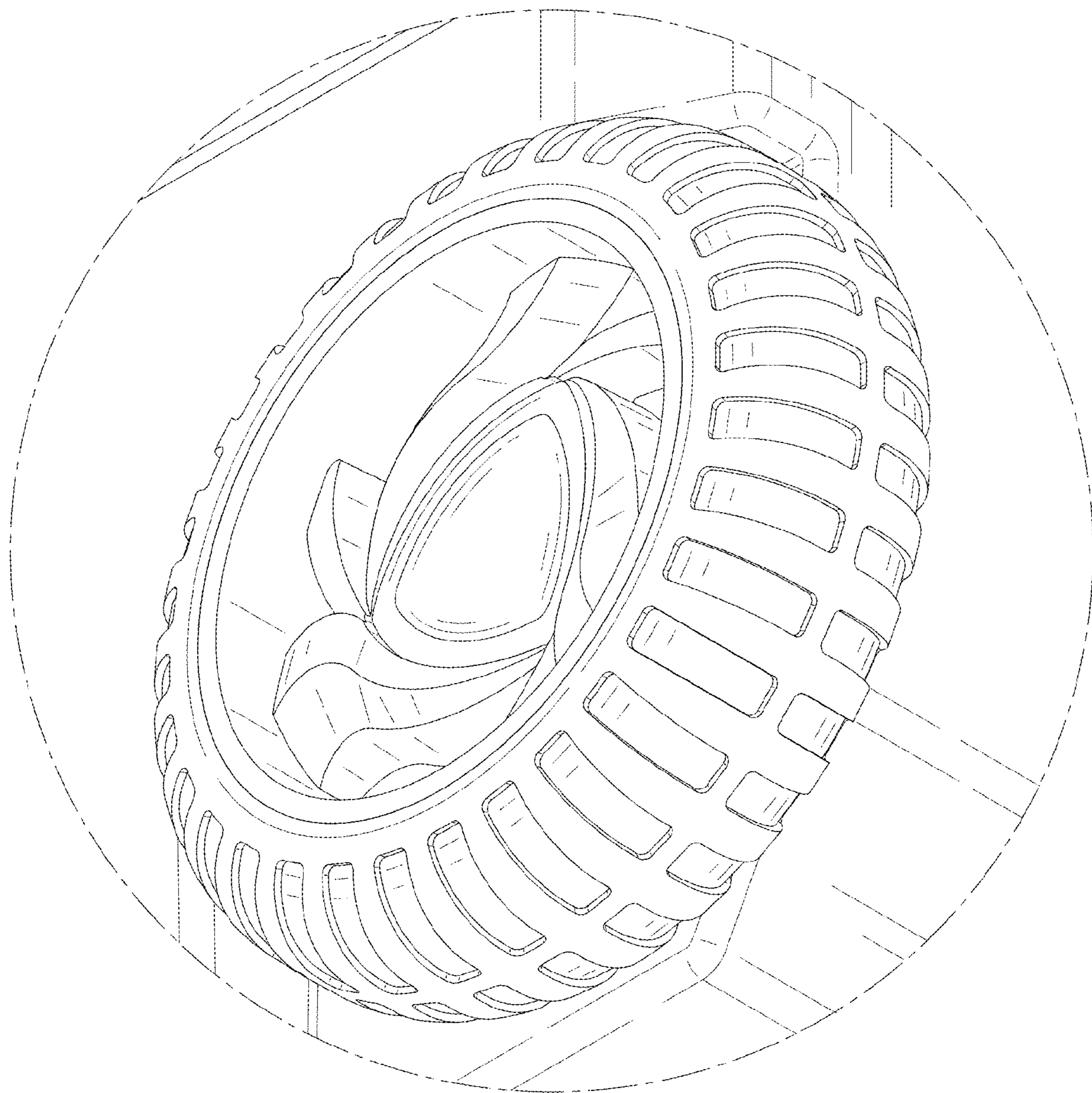


FIG. 15