



US00D963704S

(12) **United States Design Patent** (10) **Patent No.:** **US D963,704 S**  
**Külm** (45) **Date of Patent:** **\*\* Sep. 13, 2022**

(54) **DRILL BIT**  
(71) Applicant: **Dipperfox OÜ**, Pärnu (EE)  
(72) Inventor: **Jaana Külm**, Pärnu (EE)  
(73) Assignee: **Dipperfox OÜ**, Pärnu (EE)  
(\*\*) Term: **15 Years**  
(21) Appl. No.: **29/764,411**

(22) Filed: **Dec. 30, 2020**  
(51) **LOC (13) Cl.** ..... **15-03**  
(52) **U.S. Cl.**  
USPC ..... **D15/21; D15/139**  
(58) **Field of Classification Search**  
USPC ..... D15/21, 28, 139  
CPC . E21B 7/04; E21B 10/44; E21B 7/027; E21B  
7/005; E21B 12/06; E02F 3/06; E02F  
3/083  
See application file for complete search history.

(56) **References Cited**

**U.S. PATENT DOCUMENTS**

D250,388 S *	11/1978	Rantanen	.....	D8/8
5,190,113 A *	3/1993	Hawrylak	.....	A01K 97/01 175/18
5,251,707 A *	10/1993	Grahl	.....	E21B 10/44 175/18
6,502,649 B1 *	1/2003	Havel	.....	E21B 7/008 175/18
D635,599 S *	4/2011	Furseth	.....	D15/139
D742,422 S *	11/2015	Lowe	.....	D15/21
D849,073 S *	5/2019	Spångberg	.....	D15/139
D856,386 S *	8/2019	Banjo	.....	D15/139
D948,584 S *	4/2022	Flodman	.....	D15/139
2009/0260891 A1 *	10/2009	Kwon	.....	E21B 7/005 175/394
2012/0048624 A1 *	3/2012	Fraley	.....	E21B 7/027 175/394
2012/0087740 A1 *	4/2012	Stroyer	.....	E02D 5/56 405/241

2012/0205161 A1 *	8/2012	Stimpfle-Ziegler	.....	E21B 10/44 175/394
2013/0014996 A1 *	1/2013	Ruppel	.....	E21B 11/005 175/170
2014/0174824 A1 *	6/2014	Schamberger	.....	H02K 7/145 175/18
2014/0238749 A1 *	8/2014	Schweiger	.....	E21B 10/32 175/57
2016/0010393 A1 *	1/2016	Ivan, Sr.	.....	A01K 97/01 175/18
2016/0244933 A1 *	8/2016	Blum	.....	E02D 5/34
2016/0327667 A1 *	11/2016	Blattman	.....	E21B 7/027

(Continued)

**FOREIGN PATENT DOCUMENTS**

EM	007789920-0001	A1	4/2020
EM	007789920-0002	A1	4/2020

*Primary Examiner* — Philip S Hyder  
(74) *Attorney, Agent, or Firm* — Meunier Carlin & Curfman LLC

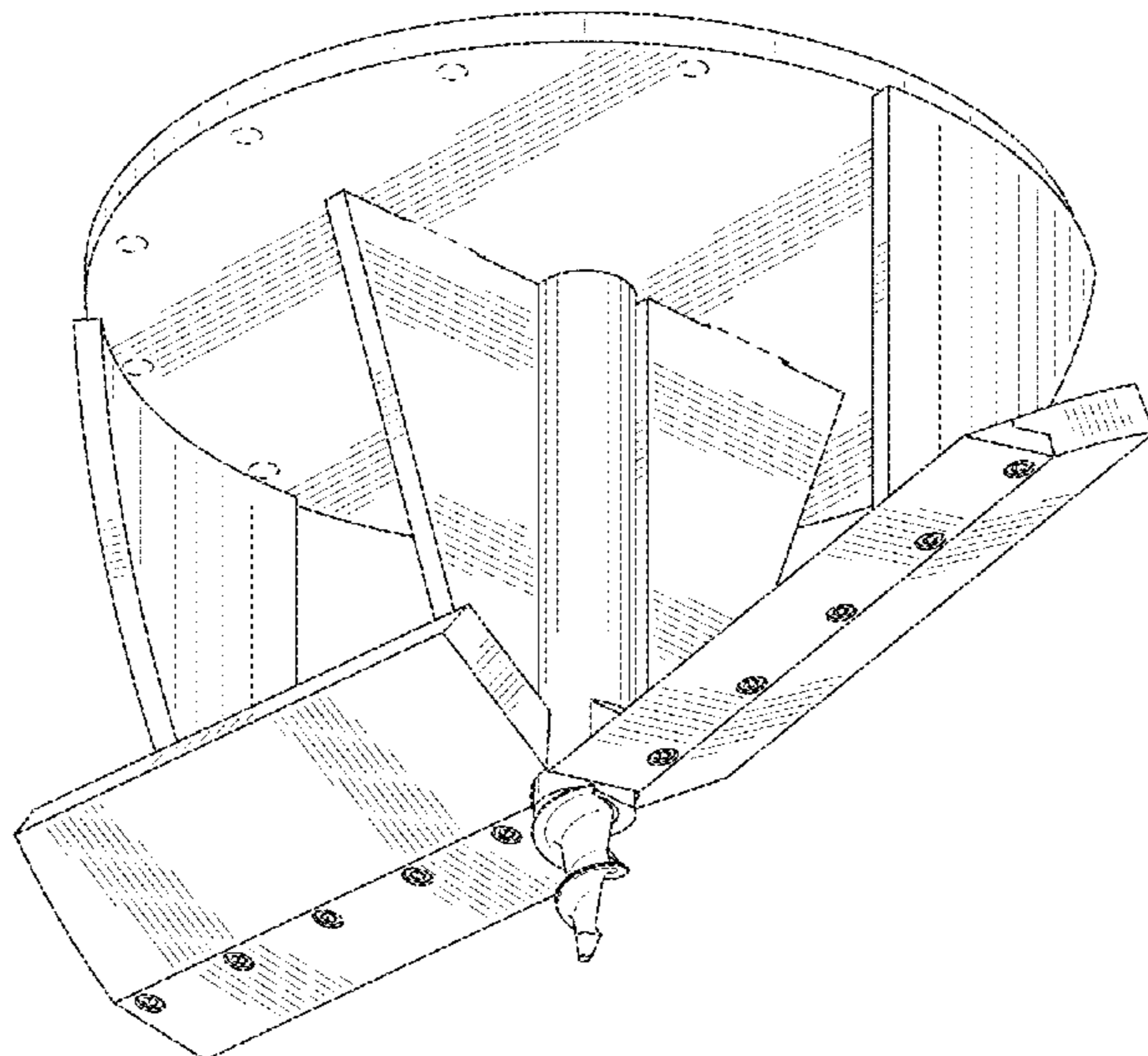
(57) **CLAIM**

The ornamental design for a drill bit, as shown and described.

**DESCRIPTION**

FIG. 1 is a perspective view of the drill bit, showing my new design;  
FIG. 2 is another perspective view thereof;  
FIG. 3 is a left-side view thereof;  
FIG. 4 is a right-side view thereof;  
FIG. 5 is a front view thereof;  
FIG. 6 is a rear view thereof;  
FIG. 7 is a top plan view thereof; and,  
FIG. 8 is a bottom plan view thereof.  
The broken lines shown in the drawings represent disclaimed portions of the drill bit that form no part of the claimed design.

**1 Claim, 8 Drawing Sheets**



(56)

**References Cited**

U.S. PATENT DOCUMENTS

2017/0107765	A1*	4/2017	Kim .....	E21B 10/26
2018/0058028	A1*	3/2018	McMillan .....	E21B 10/26
2019/0032412	A1*	1/2019	Banjo .....	E21B 7/008
2019/0250072	A1*	8/2019	Pasch .....	E21B 10/44

\* cited by examiner

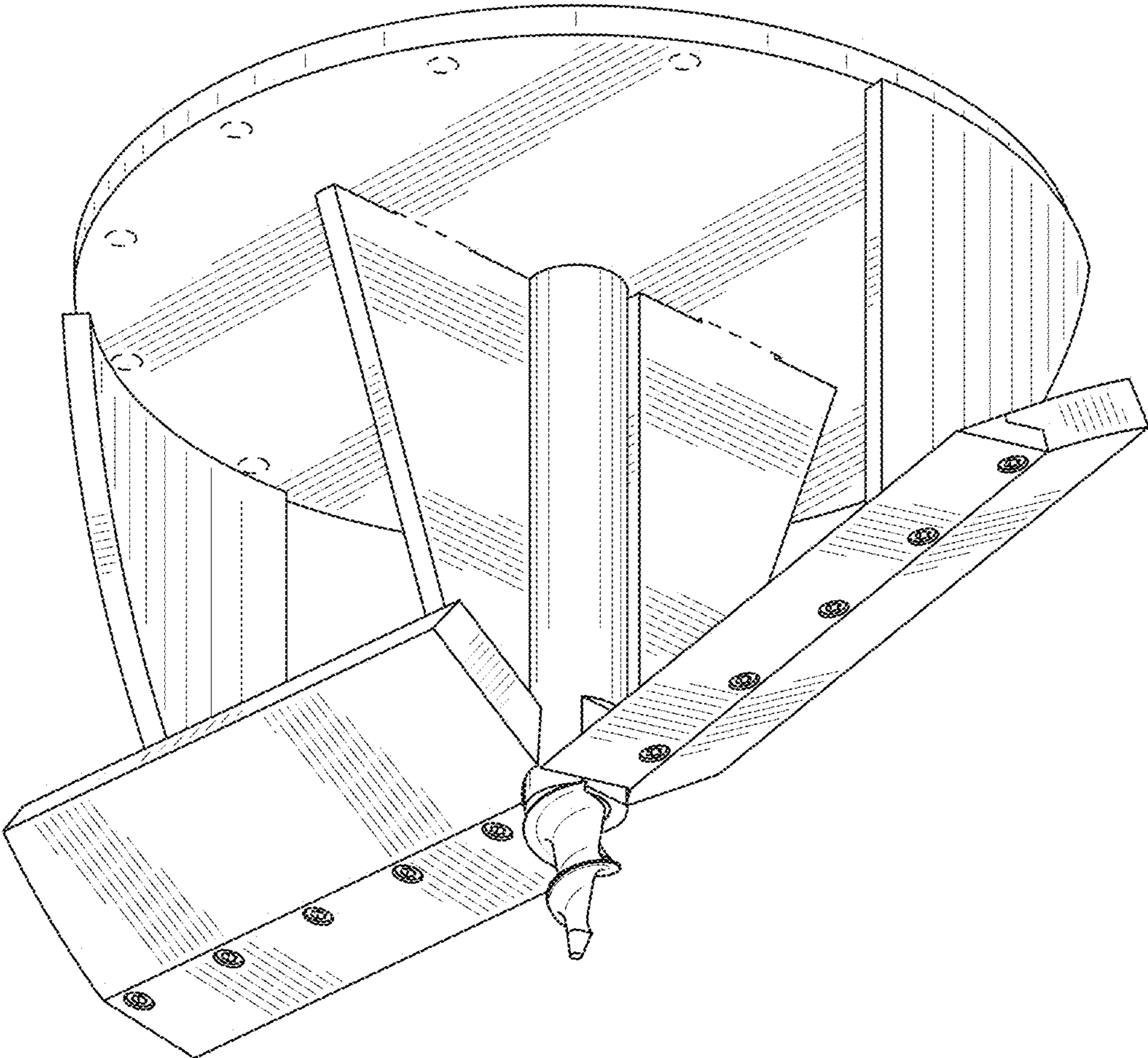


FIG. 1

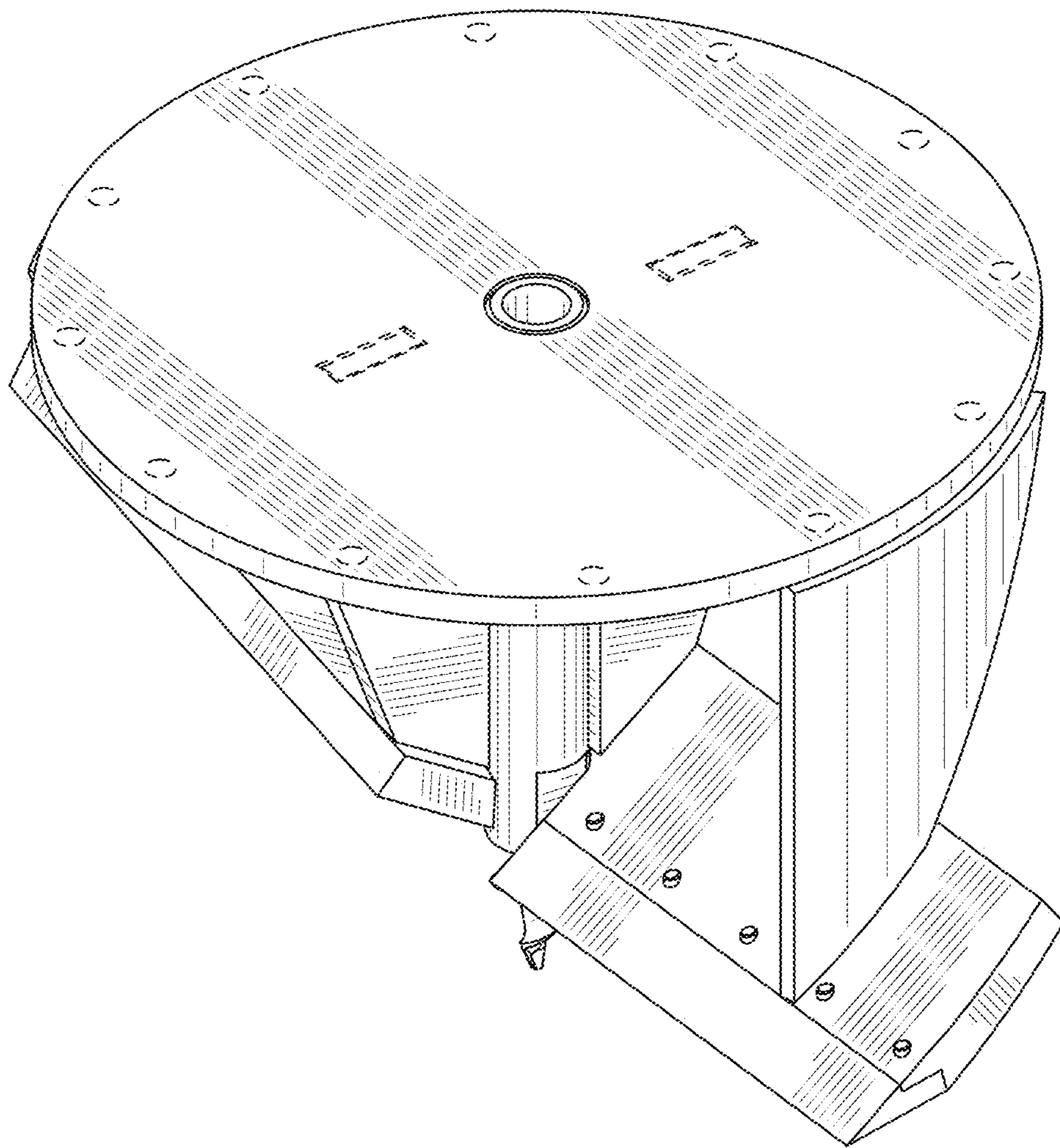


FIG. 2



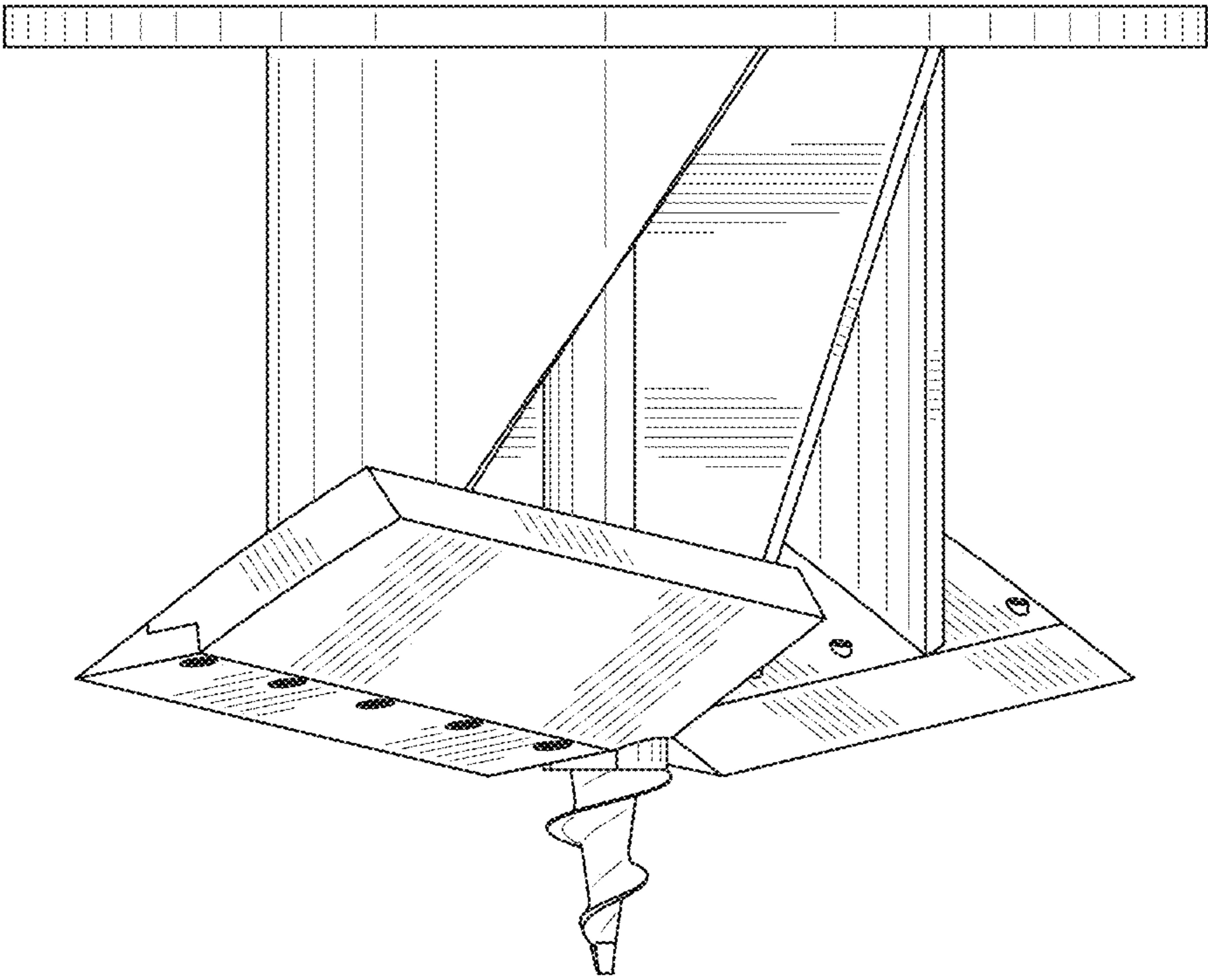


FIG. 3

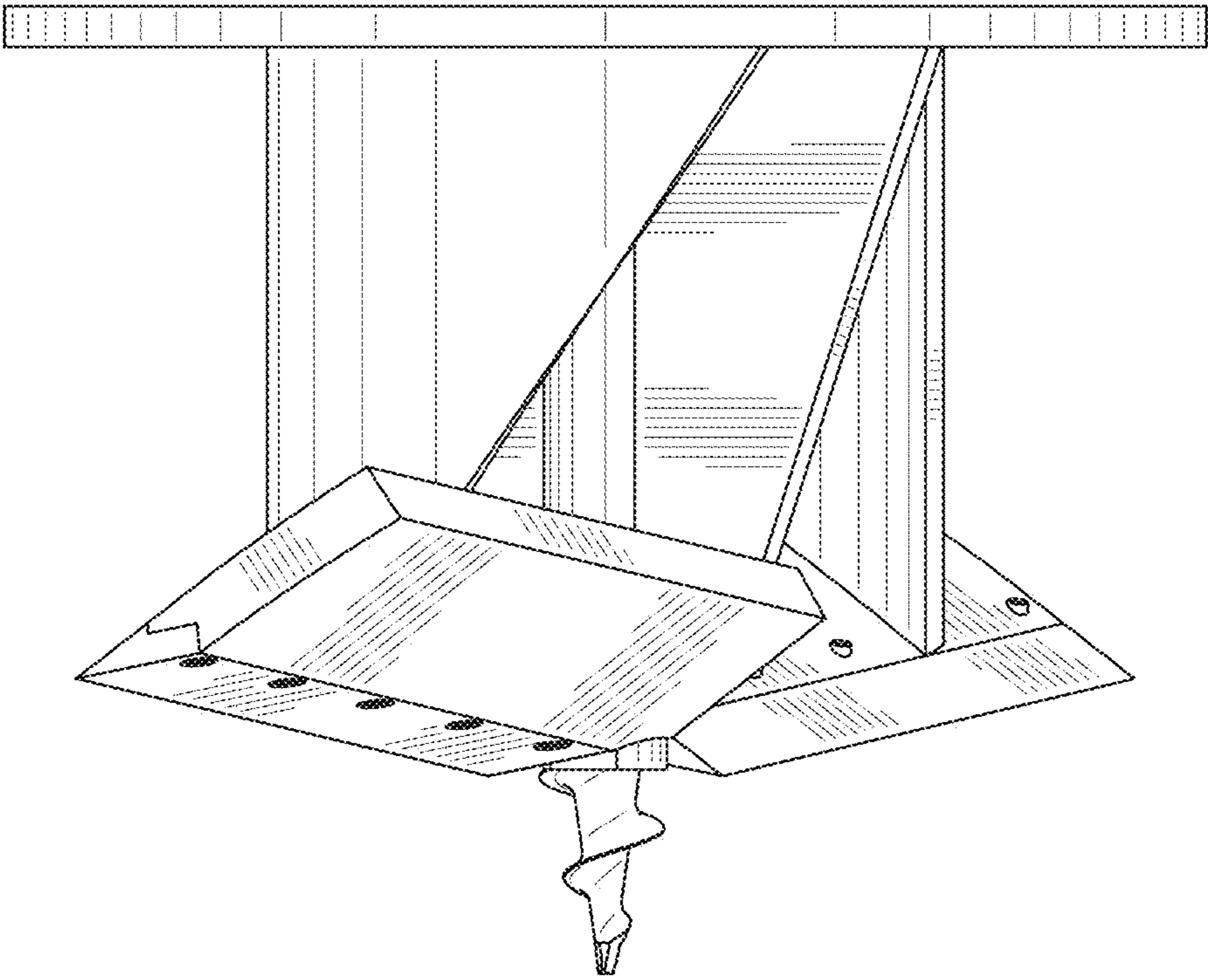


FIG. 4

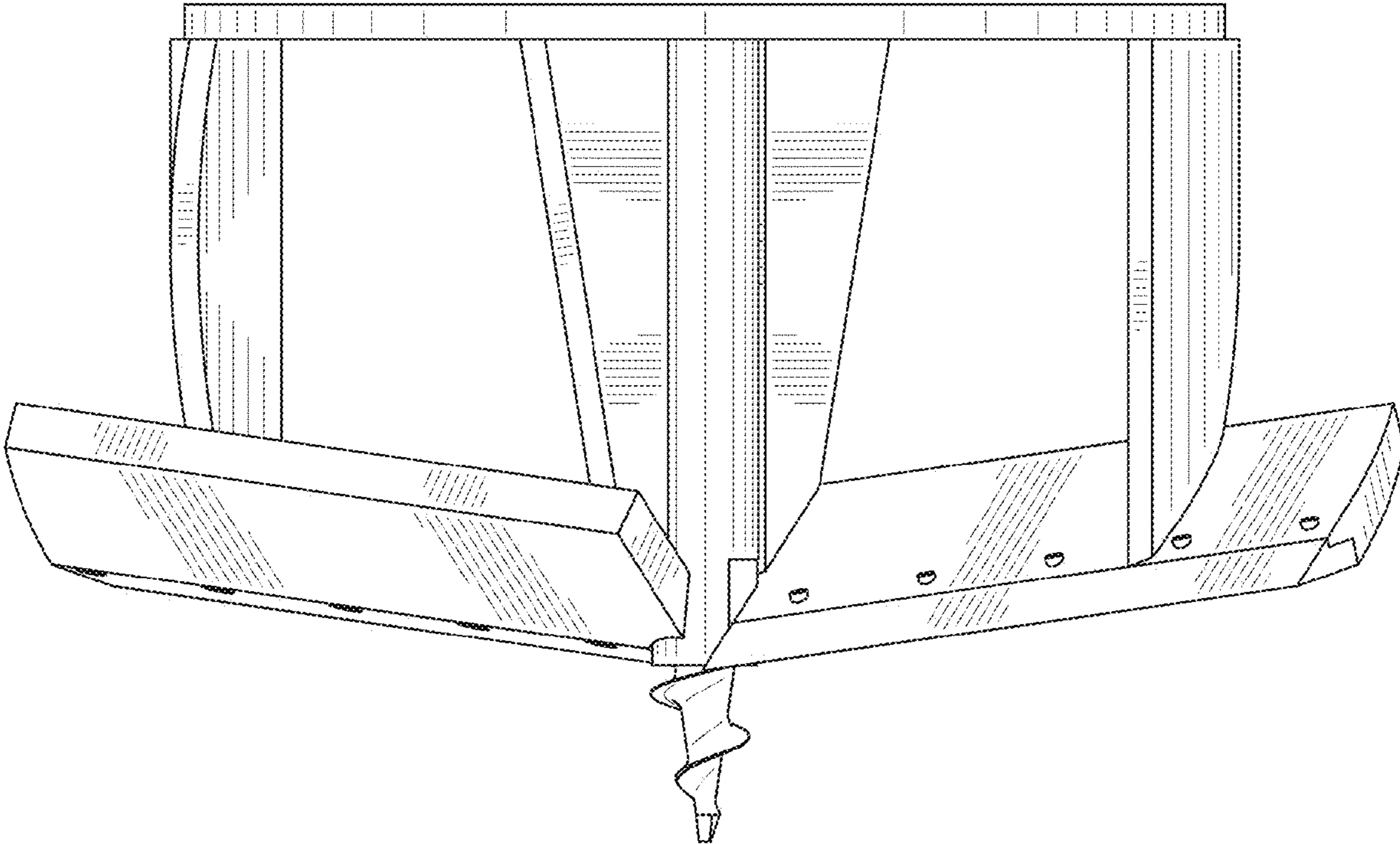


FIG. 5

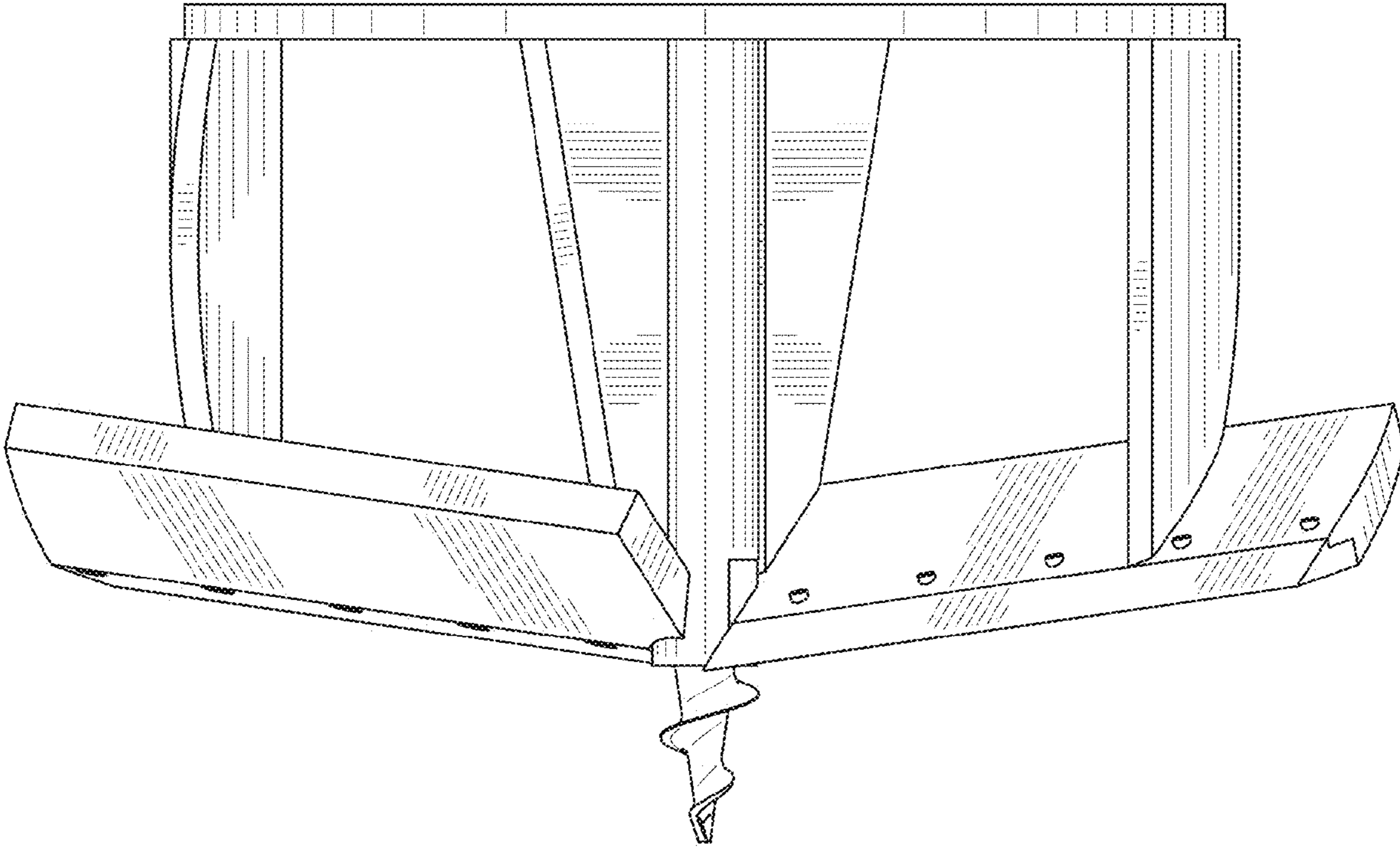


FIG. 6



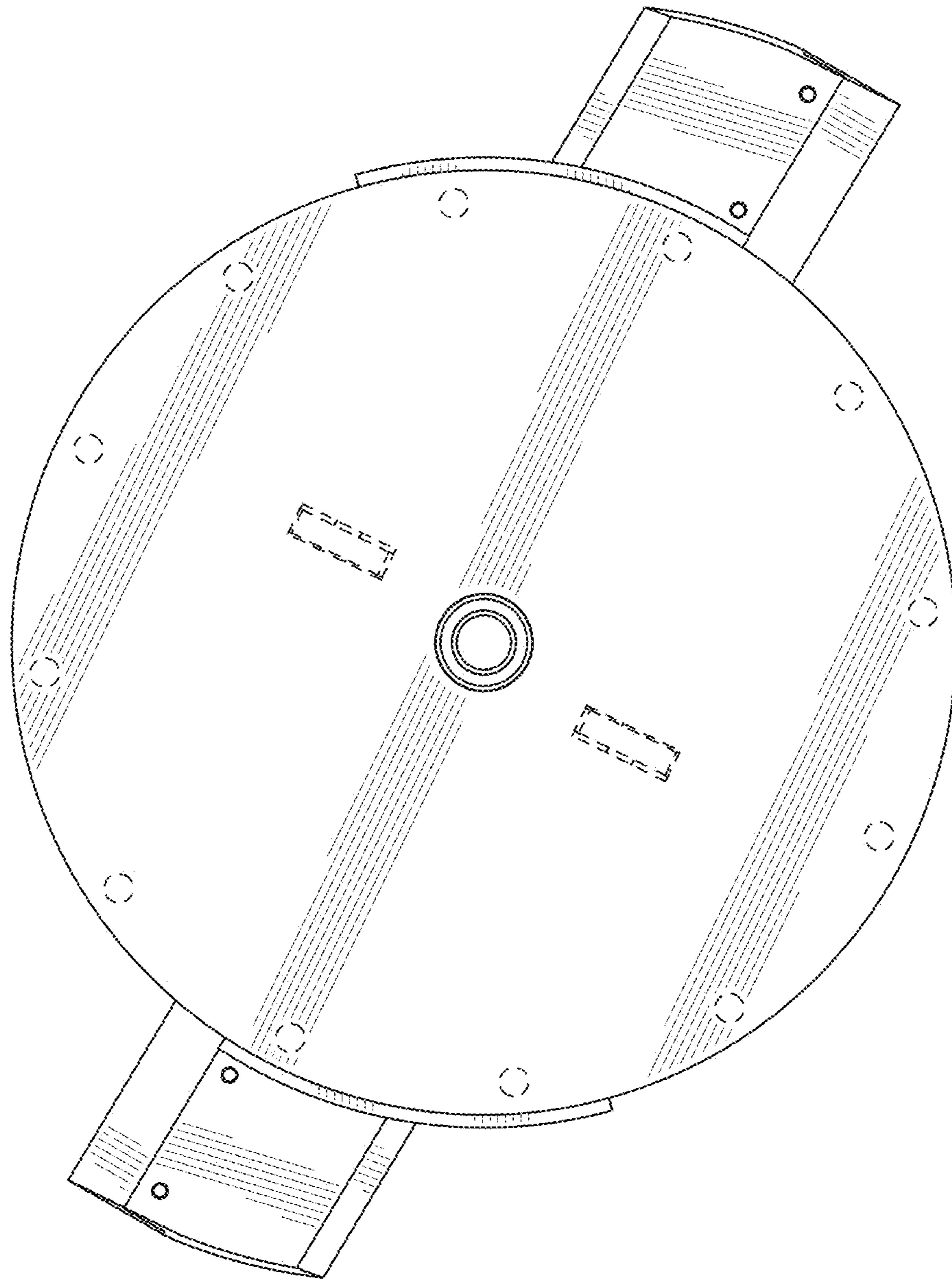


FIG. 7

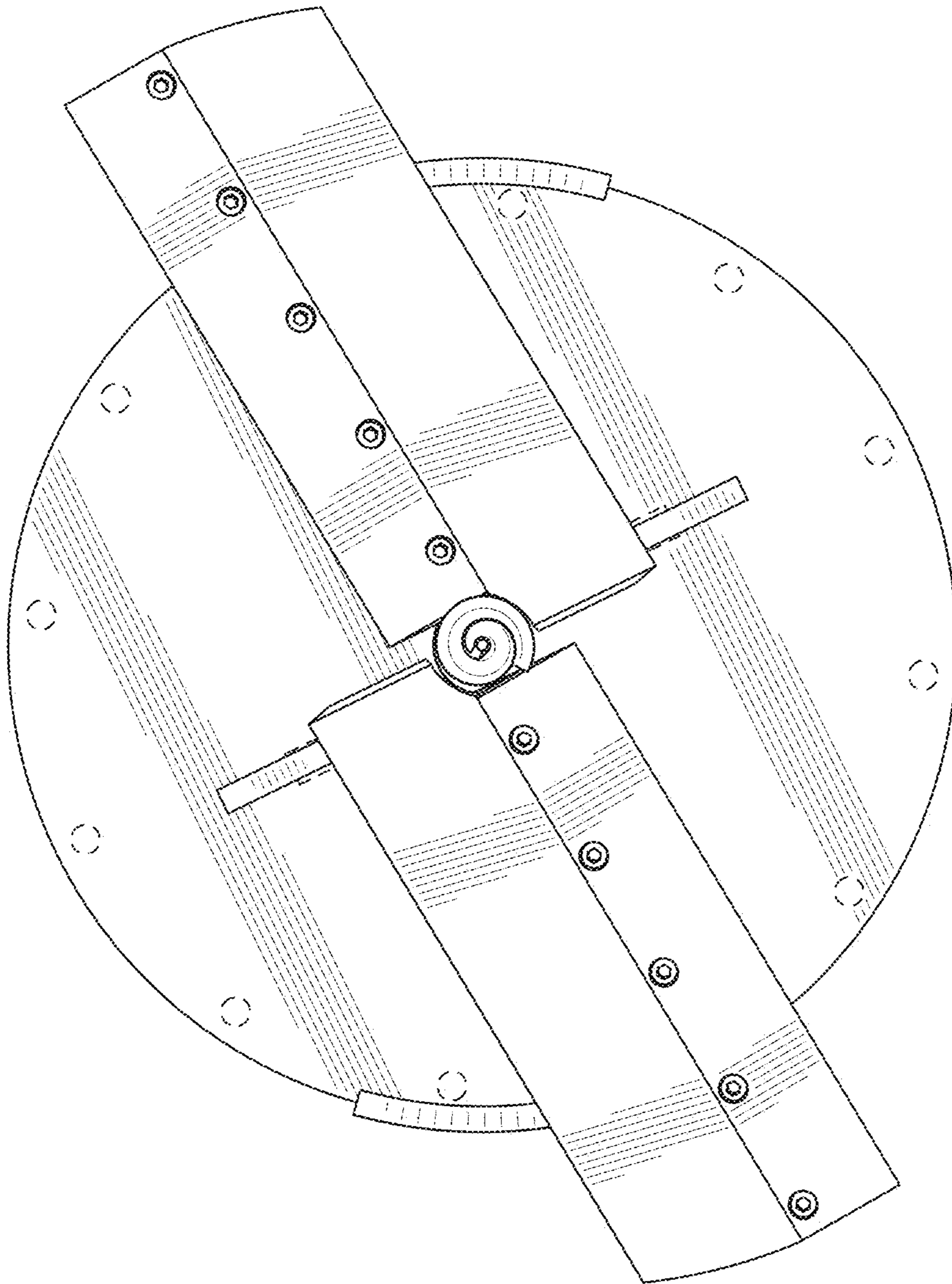


FIG. 8