



US00D963702S

(12) **United States Design Patent** (10) **Patent No.:** **US D963,702 S**
Xu (45) **Date of Patent:** **** Sep. 13, 2022**

(54) **WOOD CHIPPER**
(71) Applicant: **Wensheng Xu**, Qingdao (CN)
(72) Inventor: **Wensheng Xu**, Qingdao (CN)
(**) Term: **15 Years**
(21) Appl. No.: **29/688,042**
(22) Filed: **Apr. 17, 2019**

(30) **Foreign Application Priority Data**

Apr. 1, 2019 (CN) 201930142072.3

(51) **LOC (13) Cl.** **15-02**

(52) **U.S. Cl.**
USPC **D15/10**

(58) **Field of Classification Search**
USPC D15/10, 19, 26, 27
CPC B02C 18/06; B02C 18/18; B02C 18/22;
B02C 18/2291; B02C 13/20; B02C 19/00;
B66D 1/60; A01D 34/005; A01D 34/69;
A01D 42/005; B27L 11/00; B27L 11/02;
B27L 11/08; B27L 11/005; A01G 3/00;
A01G 3/02

See application file for complete search history.

(56) **References Cited**

U.S. PATENT DOCUMENTS

3,726,488 A * 4/1973 Aasland B02C 18/06
56/16.8
D234,815 S * 4/1975 MacKissic D15/10
D328,603 S * 8/1992 Piltz D15/10
5,199,653 A * 4/1993 Durrant B02C 18/2291
241/73
D345,983 S * 4/1994 Bold D15/10
5,305,959 A * 4/1994 Chesser B02C 18/2291
241/101.78
5,358,189 A * 10/1994 Vandermolen B02C 13/04
241/154

5,390,865 A * 2/1995 Vandermolen B02C 18/143
241/101.76
D356,801 S * 3/1995 Bold D15/10
5,669,563 A * 9/1997 Gearing A01G 3/002
241/101.78

(Continued)

OTHER PUBLICATIONS

PowerKing (3"), 7 HP Kohler Tow-Behind Wood Chipper Shredder-PK0913, (site visited Feb. 17, 2022), Land Mark Tools website, URL:<<https://landmarktools.com/products/powerking-3-chipper-pk0913>> (Year: 2022).*

(Continued)

Primary Examiner — Joseph Kukella
Assistant Examiner — Mark T. Philipps
(74) *Attorney, Agent, or Firm* — J.C. Patents

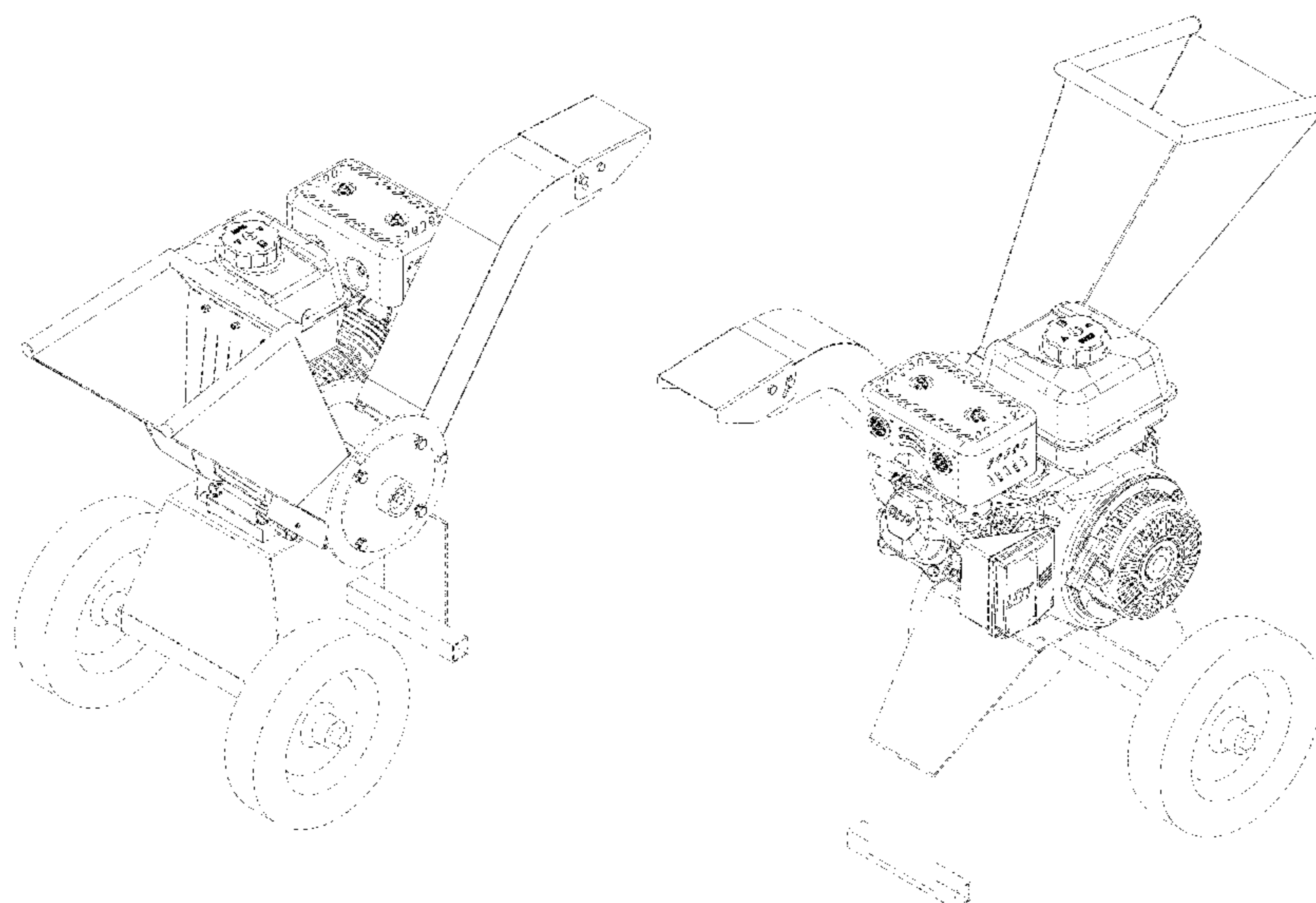
(57) **CLAIM**

The ornamental design for a wood chipper, as shown and described.

DESCRIPTION

FIG. 1 is a first perspective view of a wood chipper according to my design;
FIG. 2 is a second perspective view of the wood chipper in FIG. 1;
FIG. 3 is a third perspective view of the wood chipper in FIG. 1;
FIG. 4 is a fourth perspective view of the wood chipper in FIG. 1;
FIG. 5 is a front view of the wood chipper;
FIG. 6 is a back view of the wood chipper;
FIG. 7 is a left side view of the wood chipper;
FIG. 8 is a right side view of the wood chipper;
FIG. 9 is a top view of the wood chipper; and,
FIG. 10 is a bottom view of the wood chipper.
The broken lines depict environmental subject matter that forms no part of the claimed design.

1 Claim, 10 Drawing Sheets



(56)

References Cited

U.S. PATENT DOCUMENTS

D514,128 S * 1/2006 Lee D15/10
 7,552,884 B2 * 6/2009 Gross A01G 3/002
 241/261.1
 7,798,436 B2 * 9/2010 Cornelius A01G 3/002
 241/298
 7,878,434 B2 * 2/2011 Grant B02C 18/2225
 241/101.76
 9,144,804 B2 * 9/2015 Kessler B02C 18/18
 D781,925 S * 3/2017 Kanchibhotla D15/10
 D784,418 S * 4/2017 Jin D15/10
 10,507,469 B2 * 12/2019 Schie B02C 18/2283
 10,631,466 B2 * 4/2020 Kanchibhotla B27L 11/02
 D899,467 S * 10/2020 Jin D15/10
 D931,904 S * 9/2021 Wang D15/10
 11,173,496 B2 * 11/2021 Bramley B27L 11/002
 D939,588 S * 12/2021 Xu D15/10
 D943,639 S * 2/2022 Scott D15/19

2005/0023388 A1* 2/2005 Reinhold B02C 18/2216
 241/101.78
 2010/0126628 A1* 5/2010 Leonard B02C 18/2225
 144/246.1
 2014/0231559 A1* 8/2014 Schie B27L 11/002
 241/37.5
 2014/0263775 A1* 9/2014 Satterwhite B66D 3/006
 254/332

OTHER PUBLICATIONS

Forest Master, FM6DD 6hp Petrol compact self-feeding wood chipper, (First available Feb. 11, 2020), Amazon.com, URL:<<https://www.amazon.co.uk/Forest-Master-Compact-Petrol-Chipper/dp/B084P29NFF>> (Year: 2022).*

Forest Master, "FM6DD Compact Petrol Wood Chipper 6HP", (Uploaded on Mar. 2, 2020), YouTube.com, URL:<<https://www.youtube.com/watch?v=IzS0WNs97Nw>> (Year: 2020).*

* cited by examiner

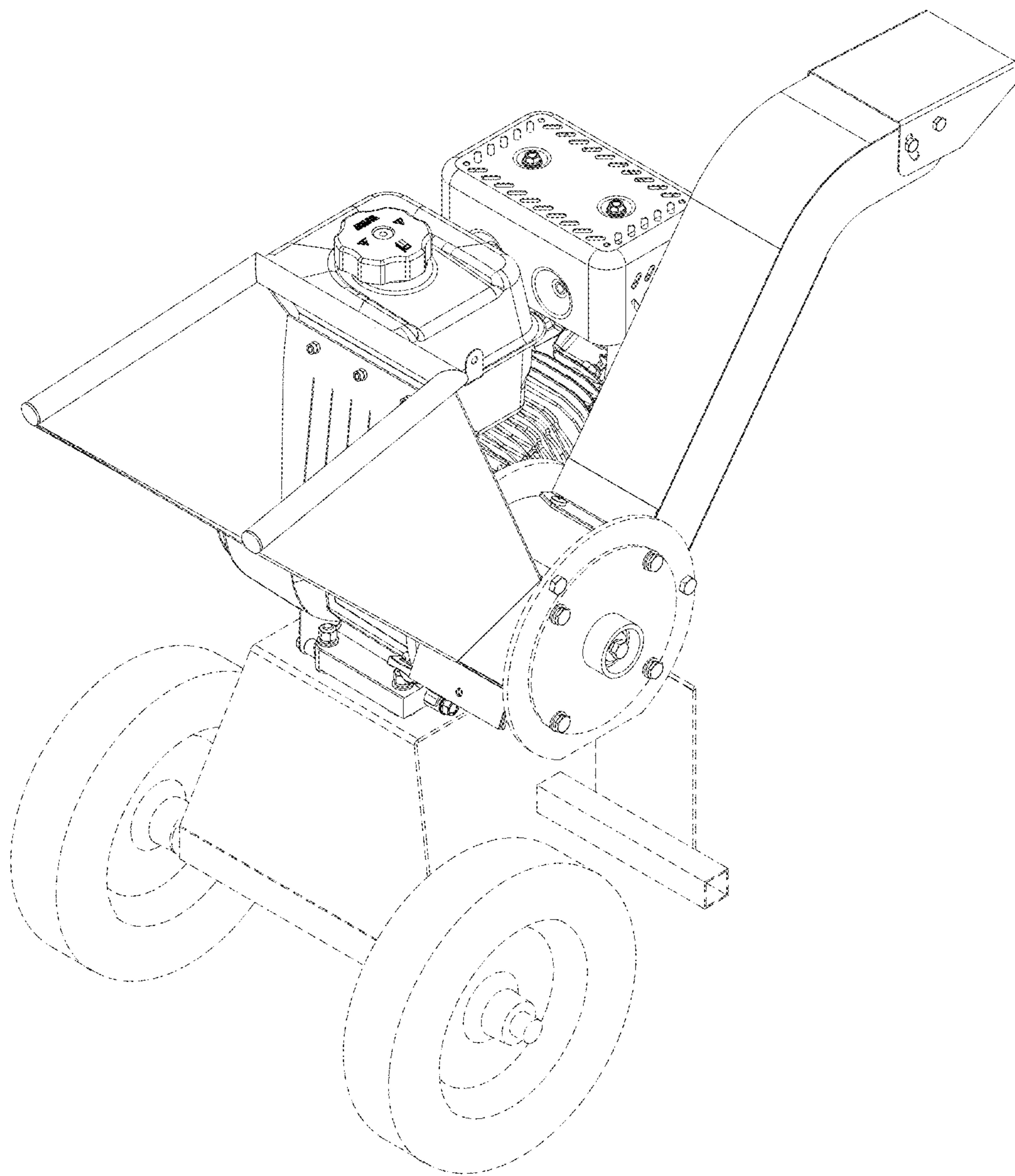


FIG. 1

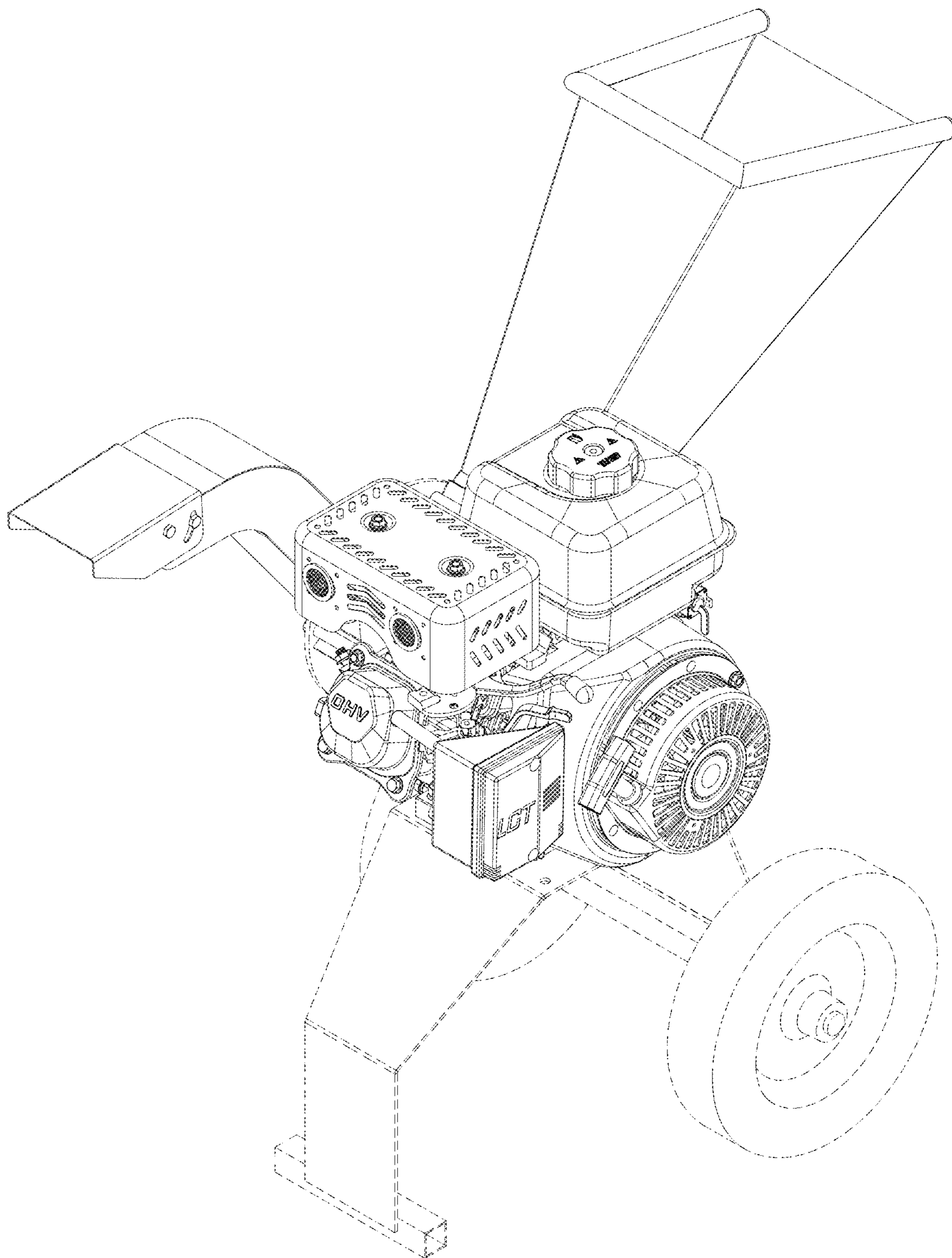


FIG. 2

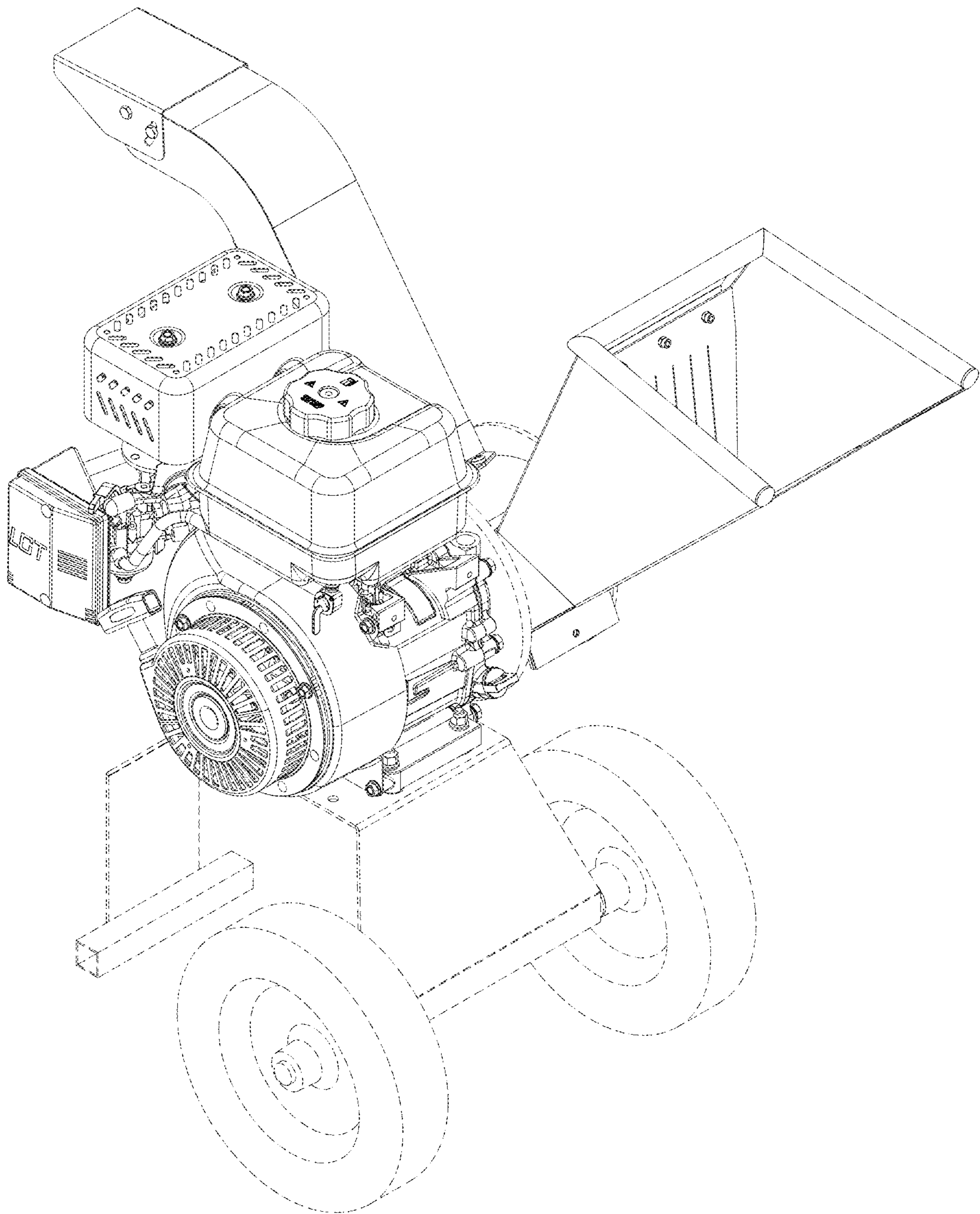


FIG. 3

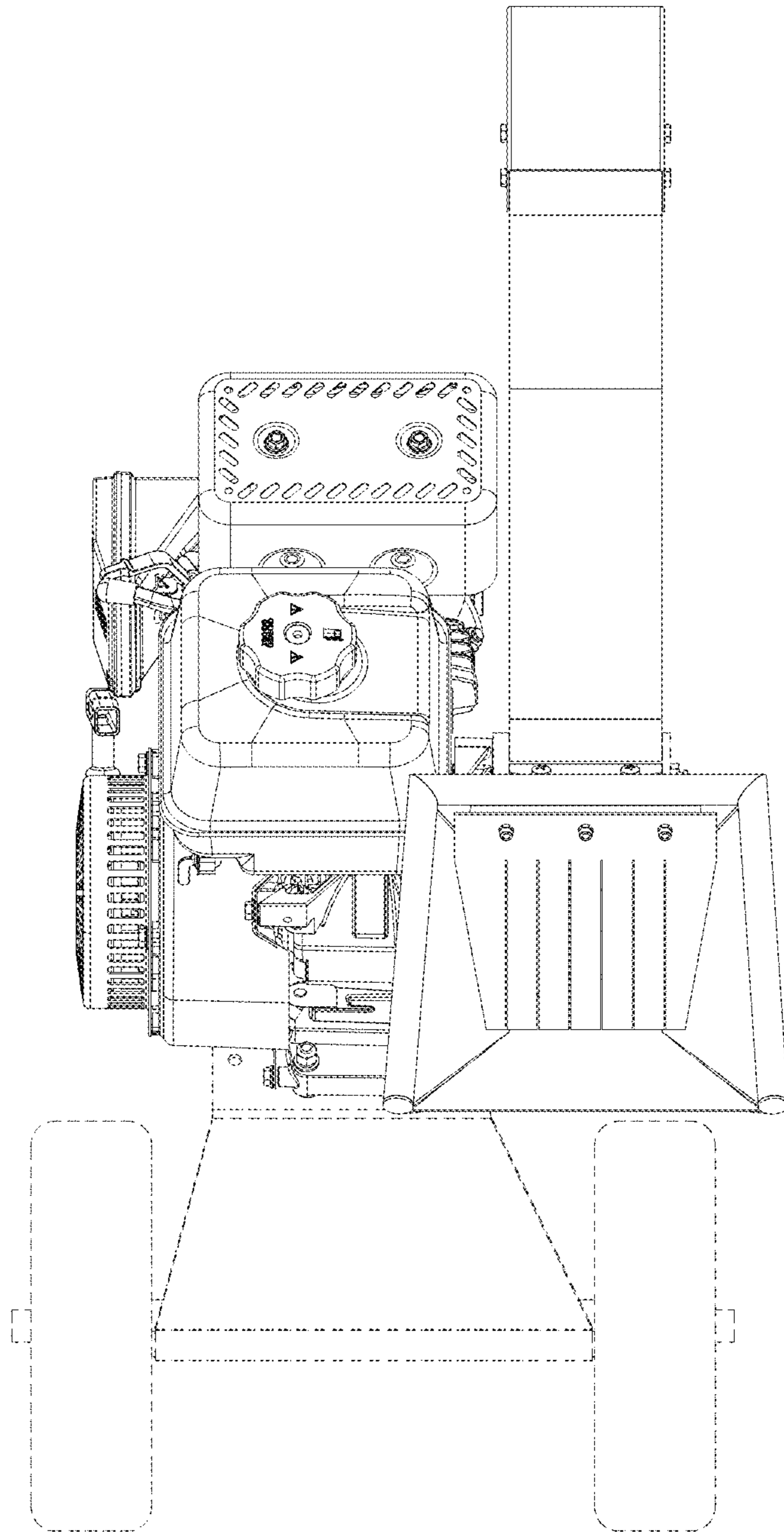


FIG. 4

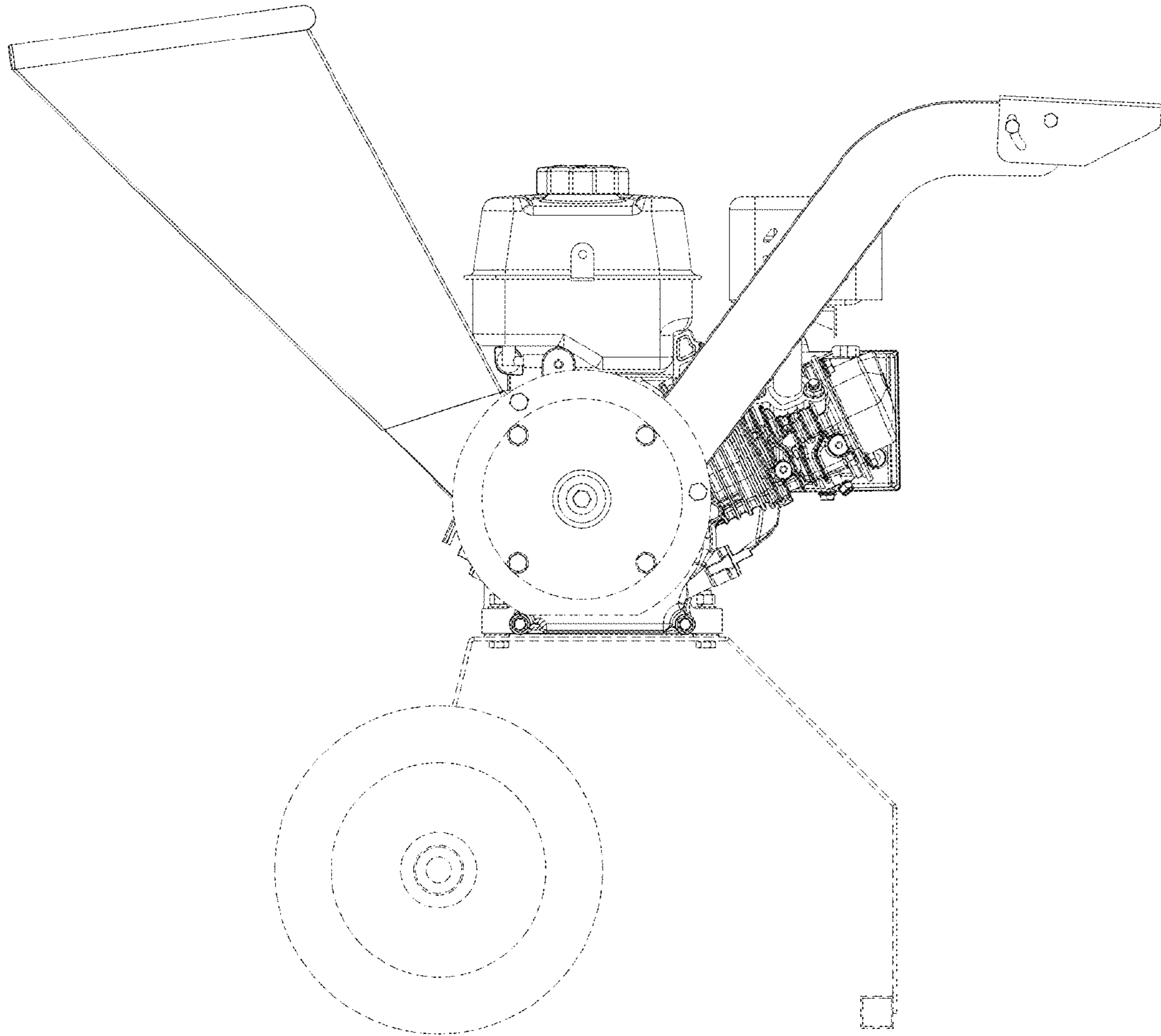


FIG. 5

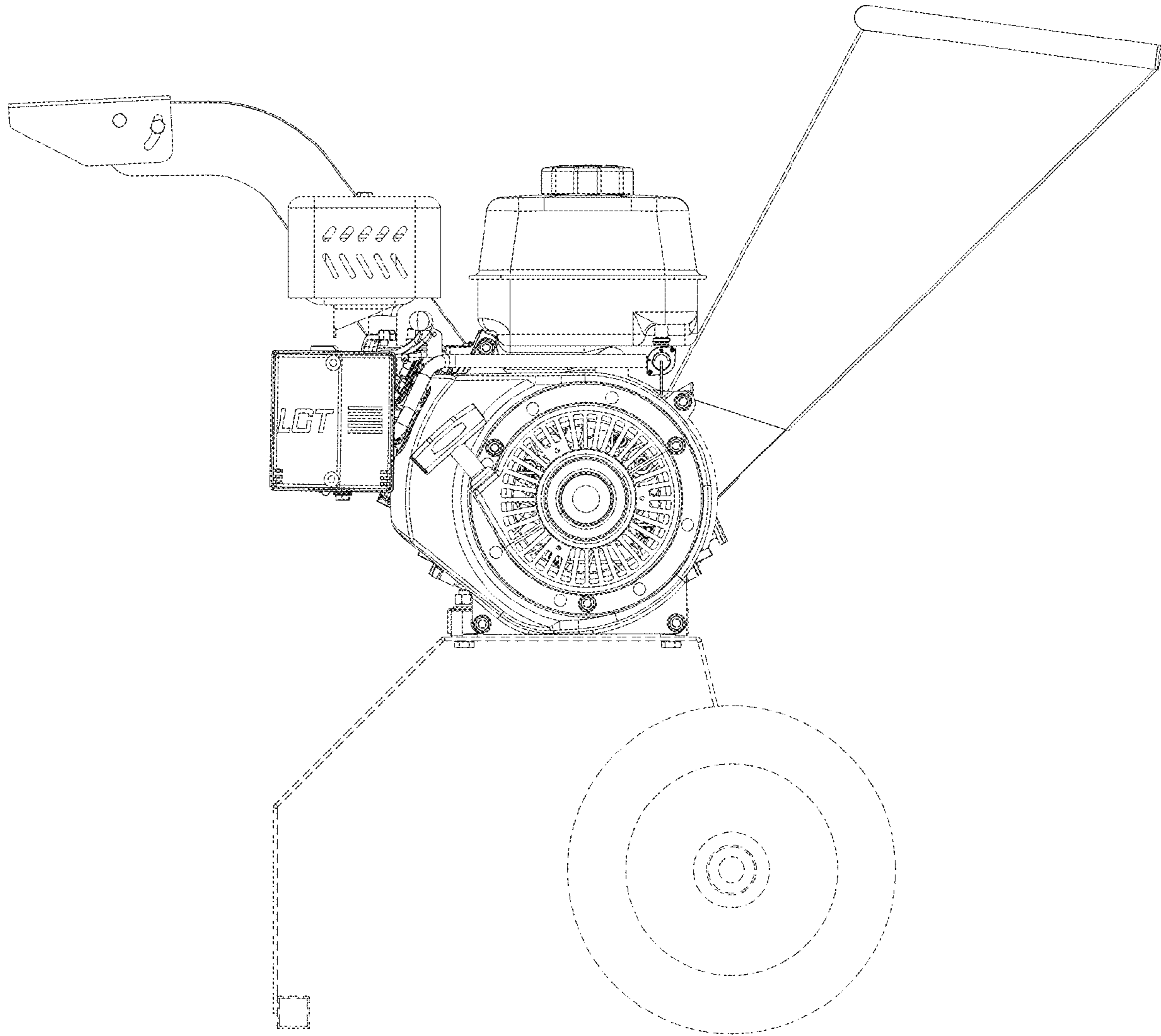


FIG. 6

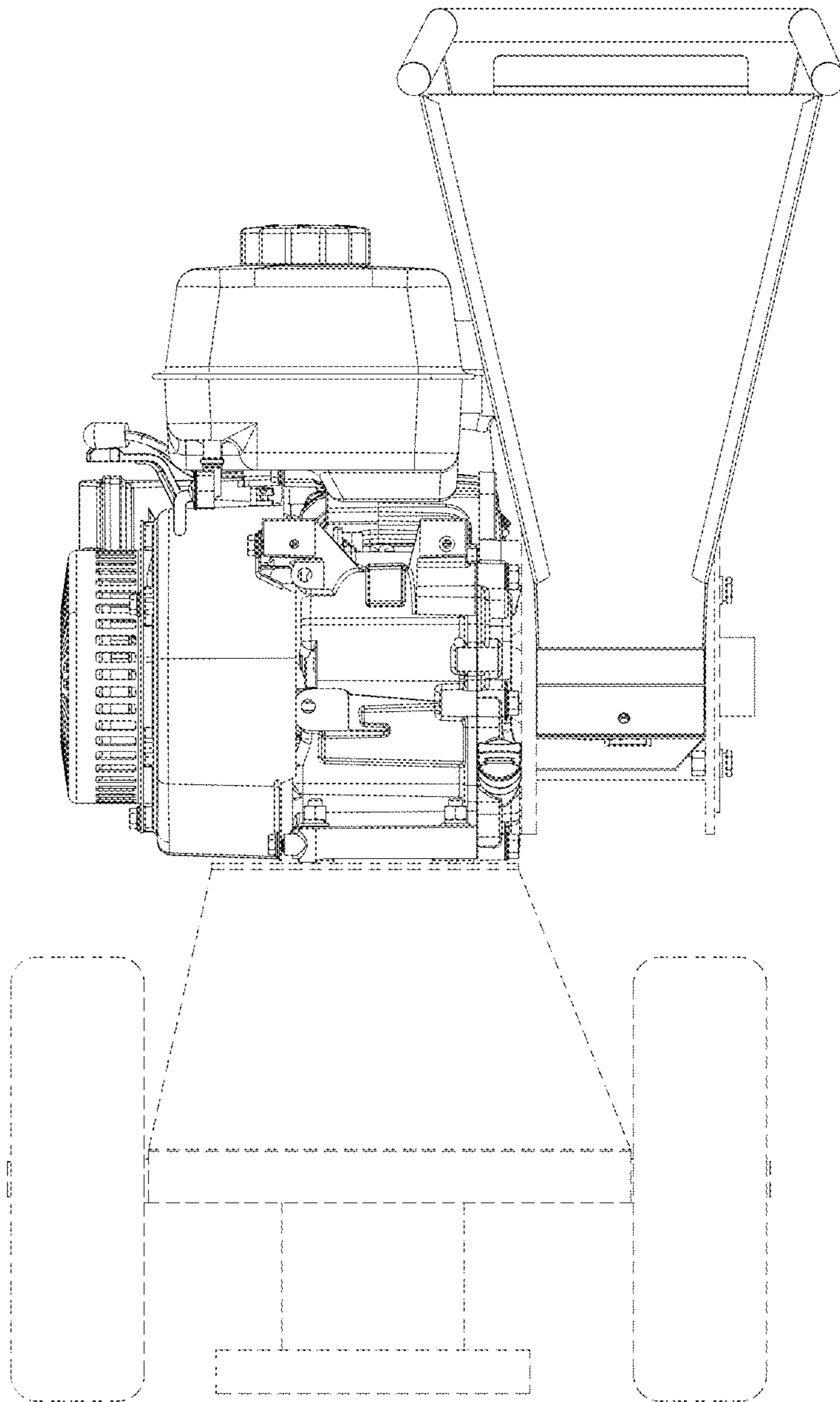


FIG. 7

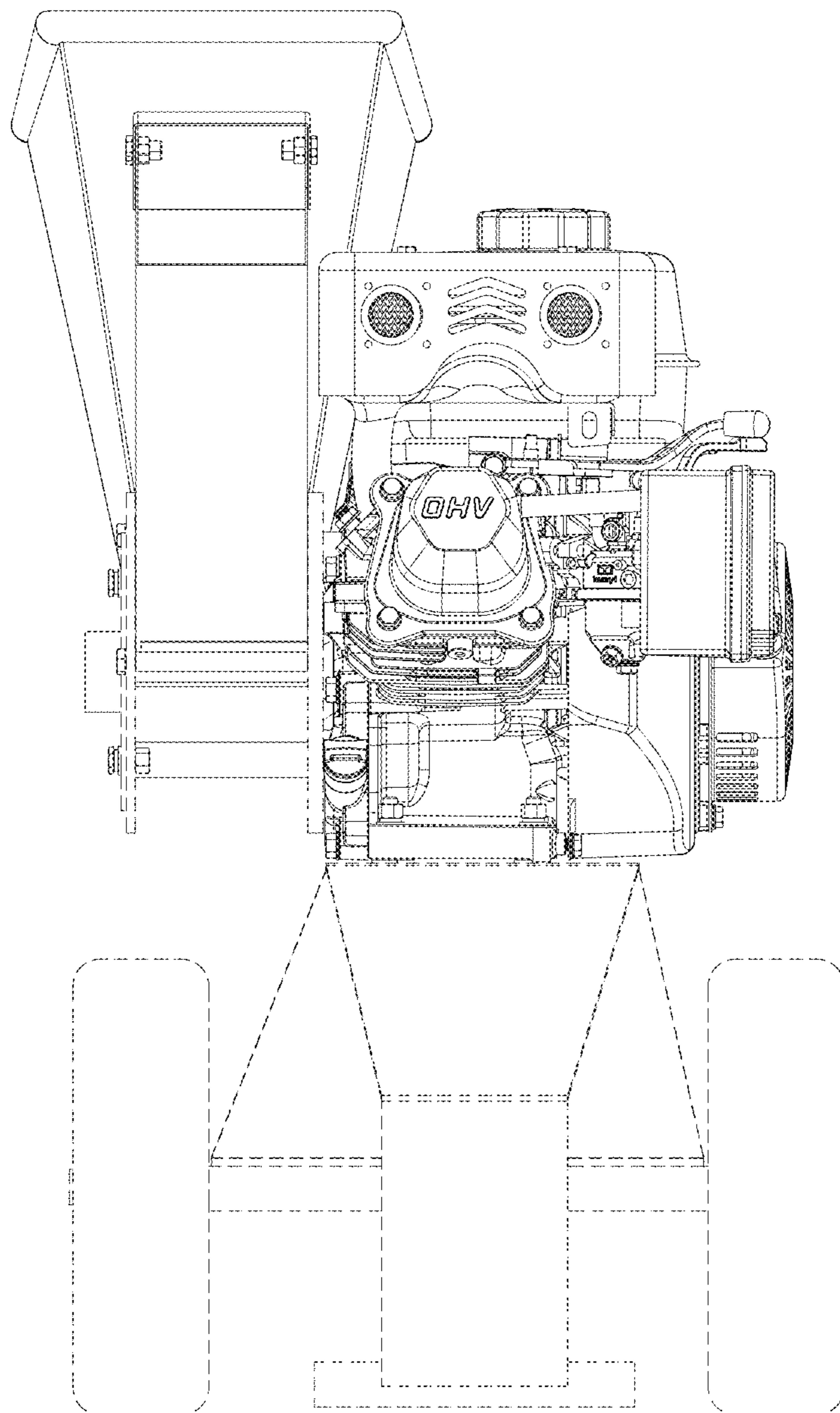


FIG. 8

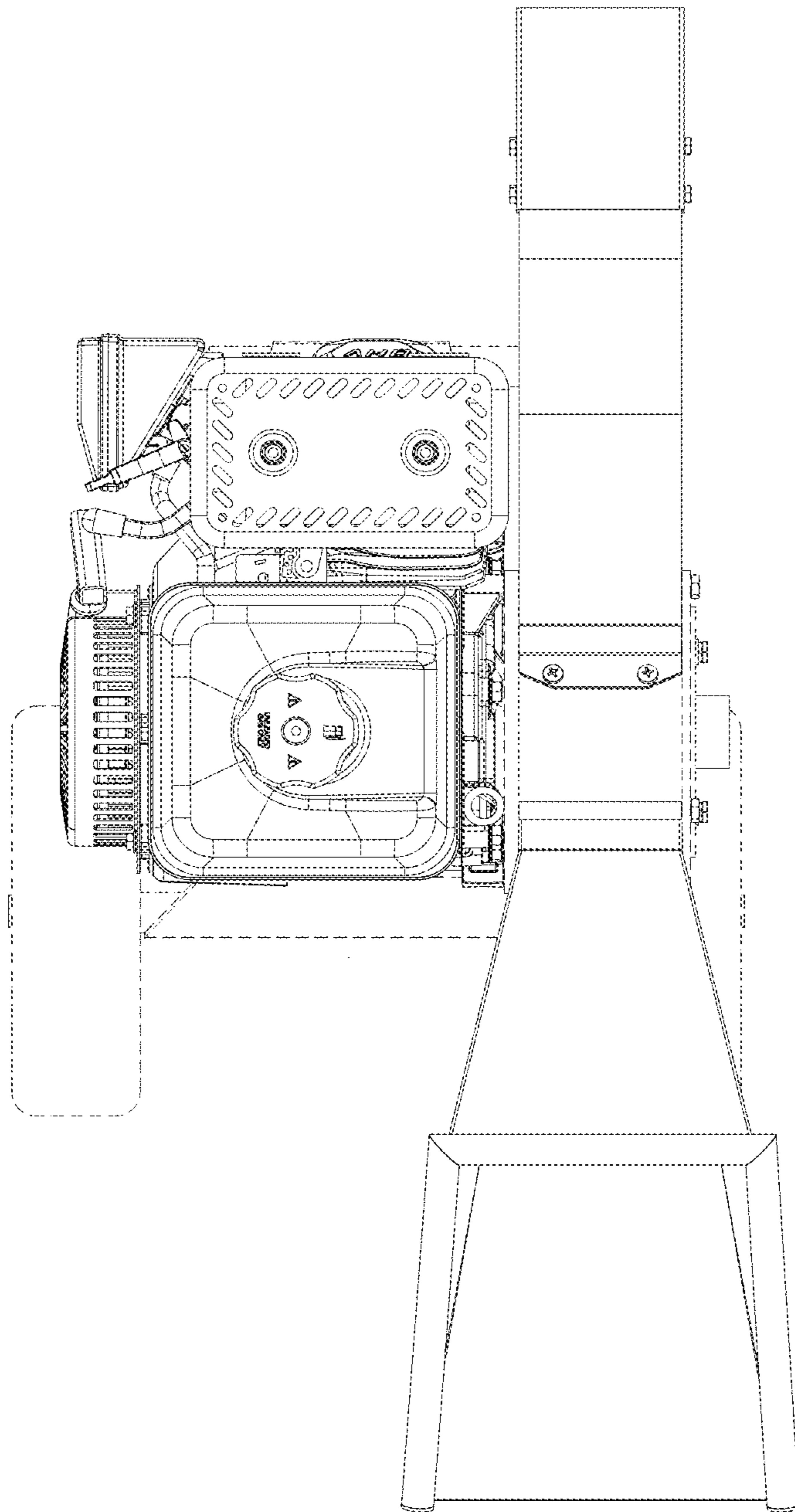


FIG. 9

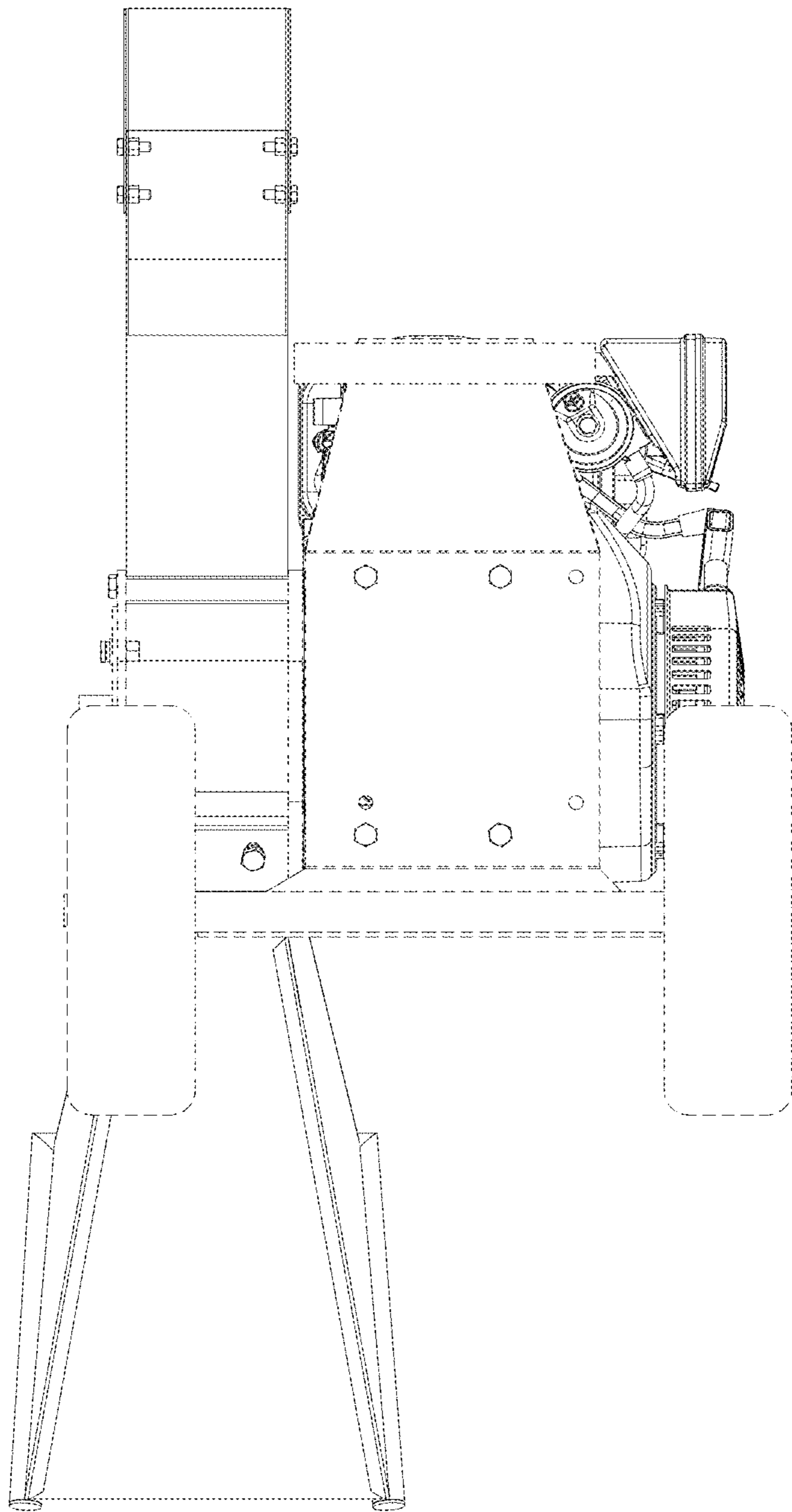


FIG. 10