



US00D963700S

(12) **United States Design Patent** (10) **Patent No.:** **US D963,700 S**
Wei (45) **Date of Patent:** **** Sep. 13, 2022**

(54) **INTAKE MANIFOLD**
(71) Applicant: **DEEPMOTOR INC**, Rancho Cucamonga, CA (US)
(72) Inventor: **Yong Wei**, Rancho Cucamonga, CA (US)
(73) Assignee: **DEEPMOTOR INC**, Rancho Cucamonga, CA (US)
(**) Term: **15 Years**
(21) Appl. No.: **29/816,291**
(22) Filed: **Nov. 19, 2021**
(51) **LOC (13) Cl.** **15-01**
(52) **U.S. Cl.**
USPC **D15/5**
(58) **Field of Classification Search**
USPC D15/1, 2, 3, 4, 5, 6
CPC F02M 35/104; F02M 35/108; F02M 35/1085; F02M 35/116
See application file for complete search history.

(56) **References Cited**
U.S. PATENT DOCUMENTS
D529,923 S * 10/2006 Liao D15/5
9,273,653 B2 * 3/2016 Wilson F02M 35/10052
D779,559 S * 2/2017 Micken D15/5
D838,292 S * 1/2019 Hummel D15/5
2005/0279313 A1 * 12/2005 Boyes F02M 35/10118
123/184.55

2010/0087109 A1* 4/2010 White F01N 13/085
60/299
2011/0039461 A1* 2/2011 White F01N 13/10
60/299
2011/0168120 A1* 7/2011 Bruman F02B 27/00
123/184.35
2015/0247477 A1* 9/2015 Wilson F02M 35/10085
123/184.47
2019/0219012 A1* 7/2019 Wicks F02M 35/10222

* cited by examiner
Primary Examiner — Ania Aman
(74) *Attorney, Agent, or Firm* — Loza & Loza, LLP;
Heidi Eisenhut

(57) **CLAIM**
The ornamental design for an intake manifold, as shown and described.

DESCRIPTION
FIG. 1 is a front, right, top perspective view of an intake manifold;
FIG. 2 is a rear, bottom perspective view thereof;
FIG. 3 is a right side thereof;
FIG. 4 is a left side thereof;
FIG. 5 is a back view thereof;
FIG. 6 is a front view thereof;
FIG. 7 is a top plan view thereof; and,
FIG. 8 is a bottom plan view thereof.
The broken lines show features of the intake manifold that form no part of the claimed design.

1 Claim, 7 Drawing Sheets

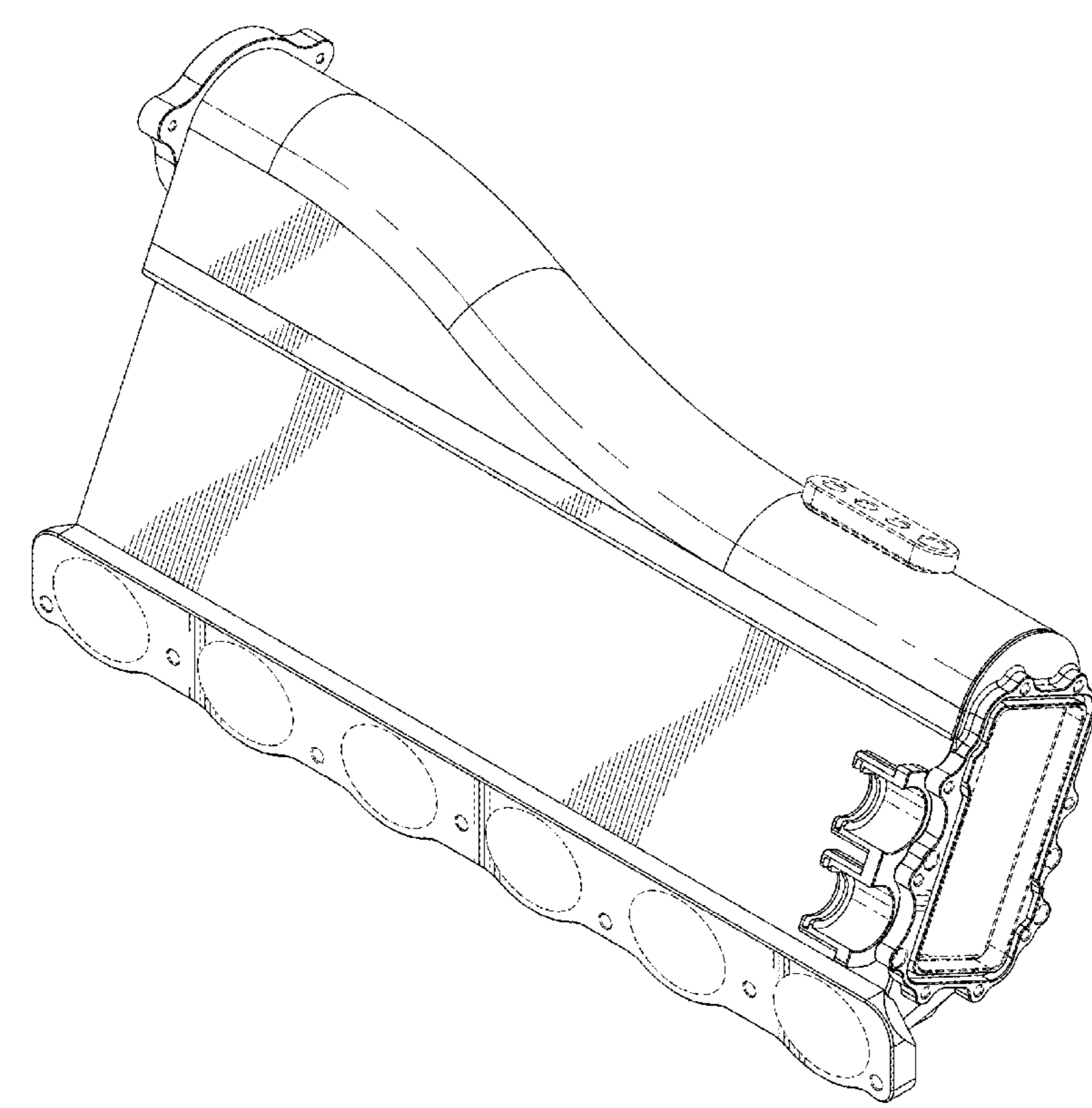
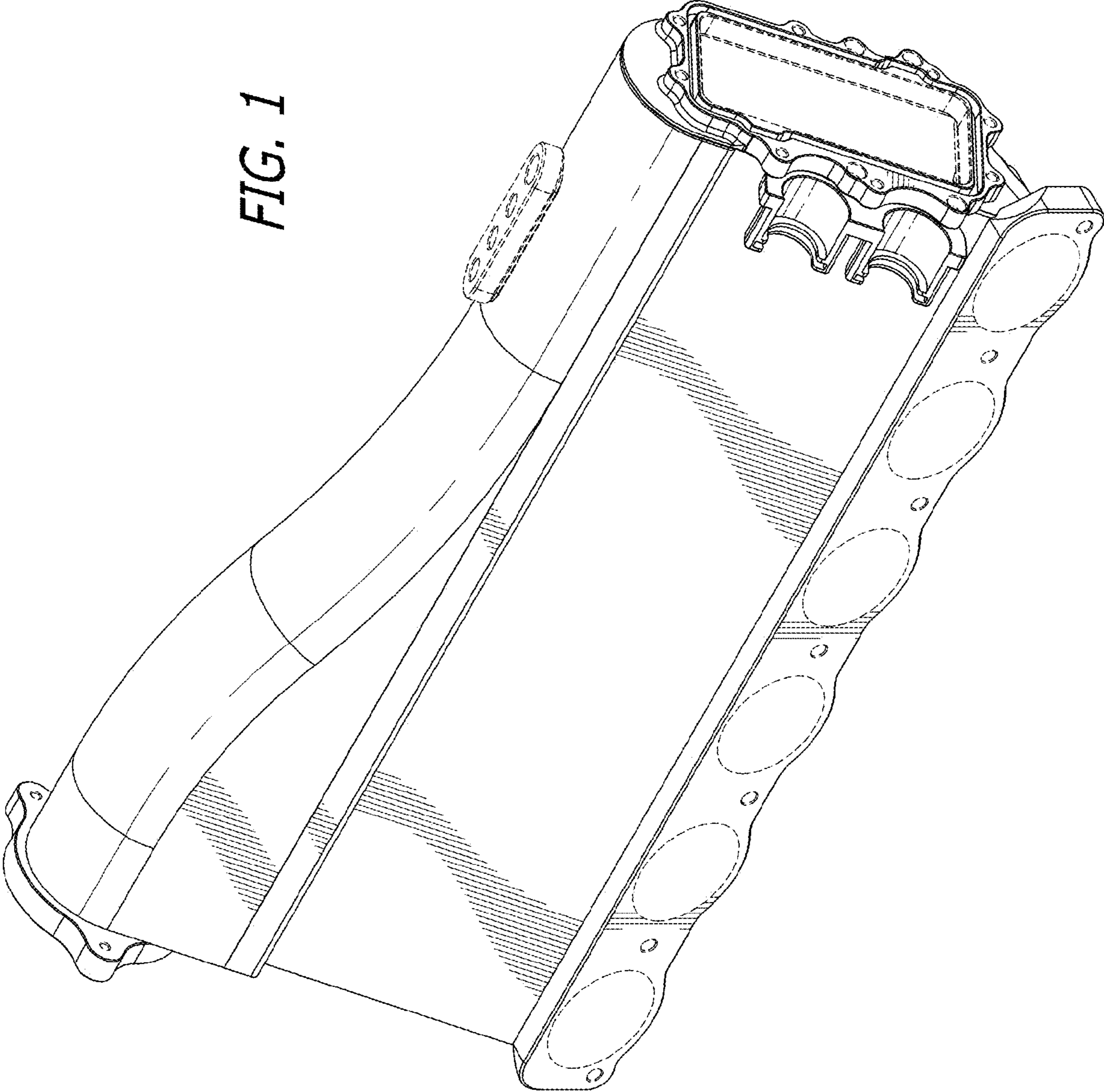


FIG. 1



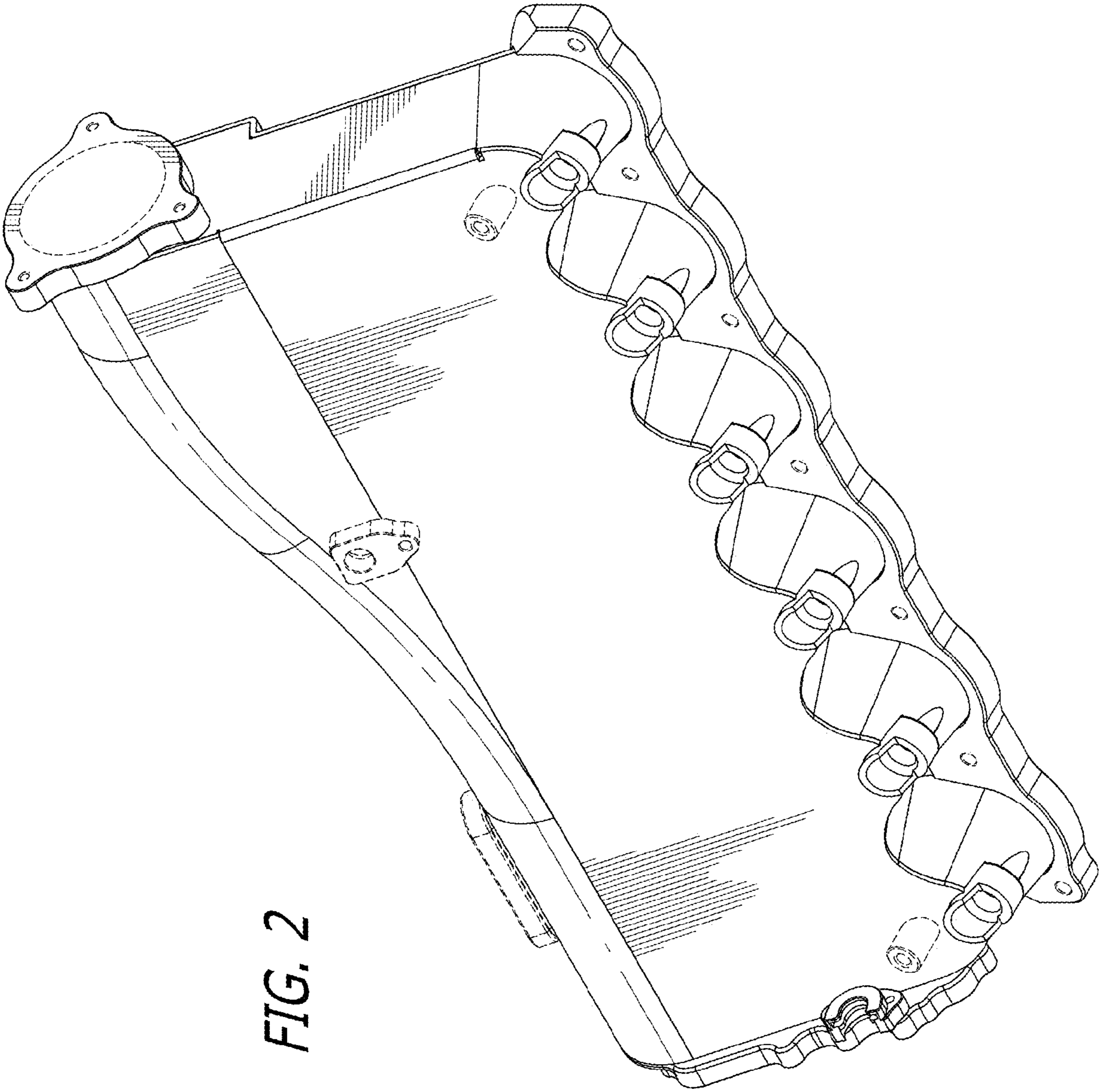


FIG. 2

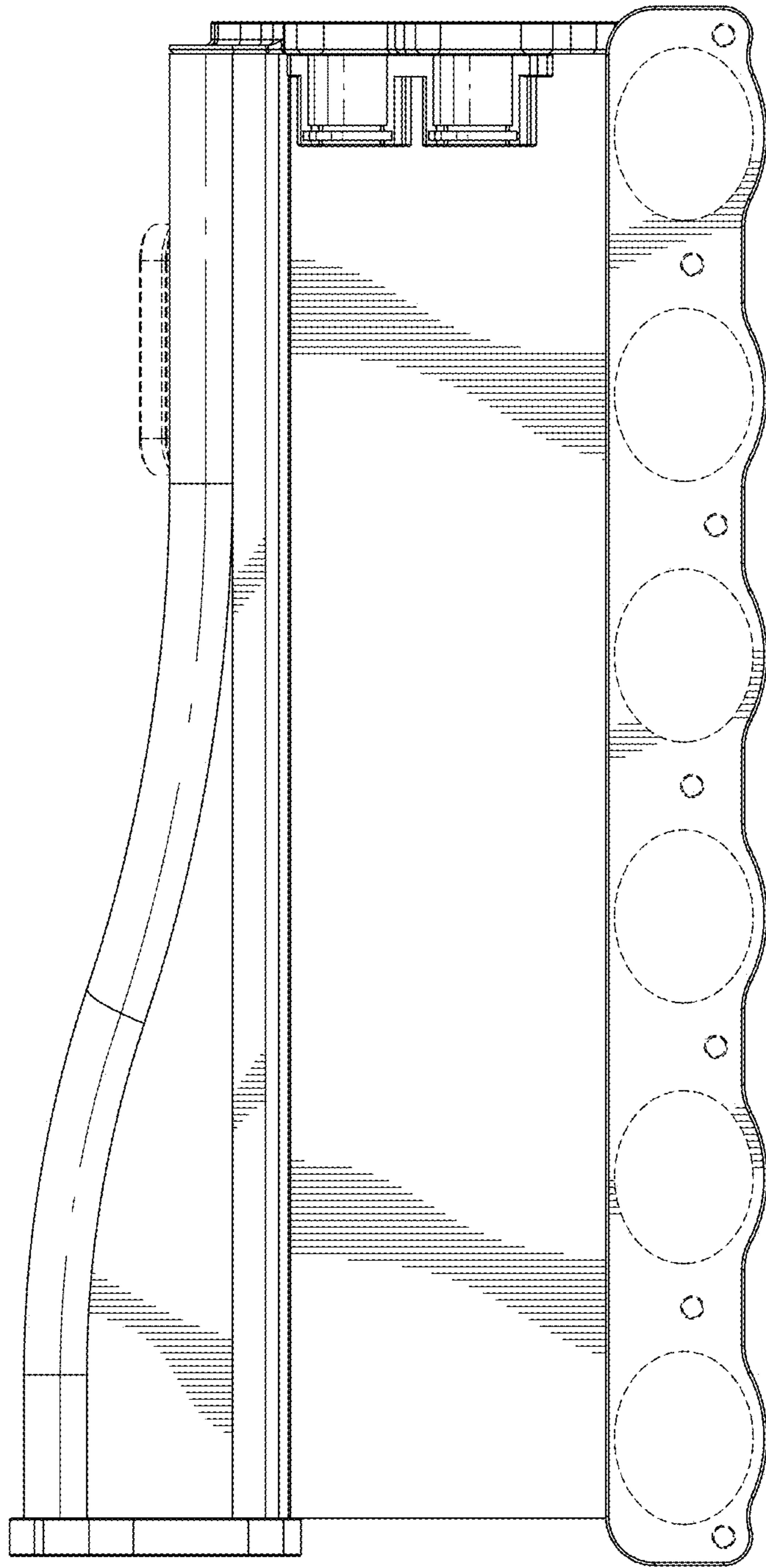


FIG. 3

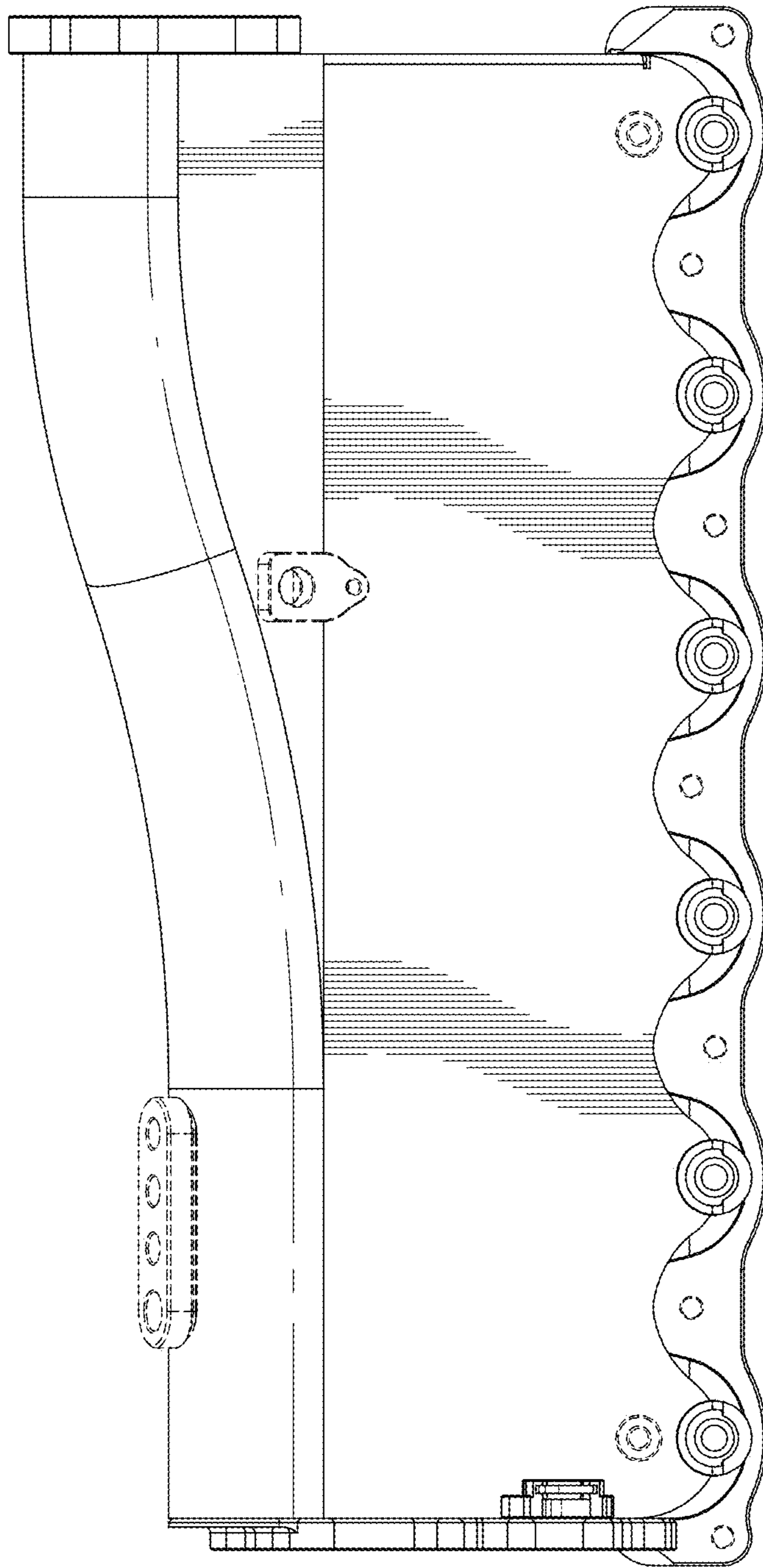


FIG. 4

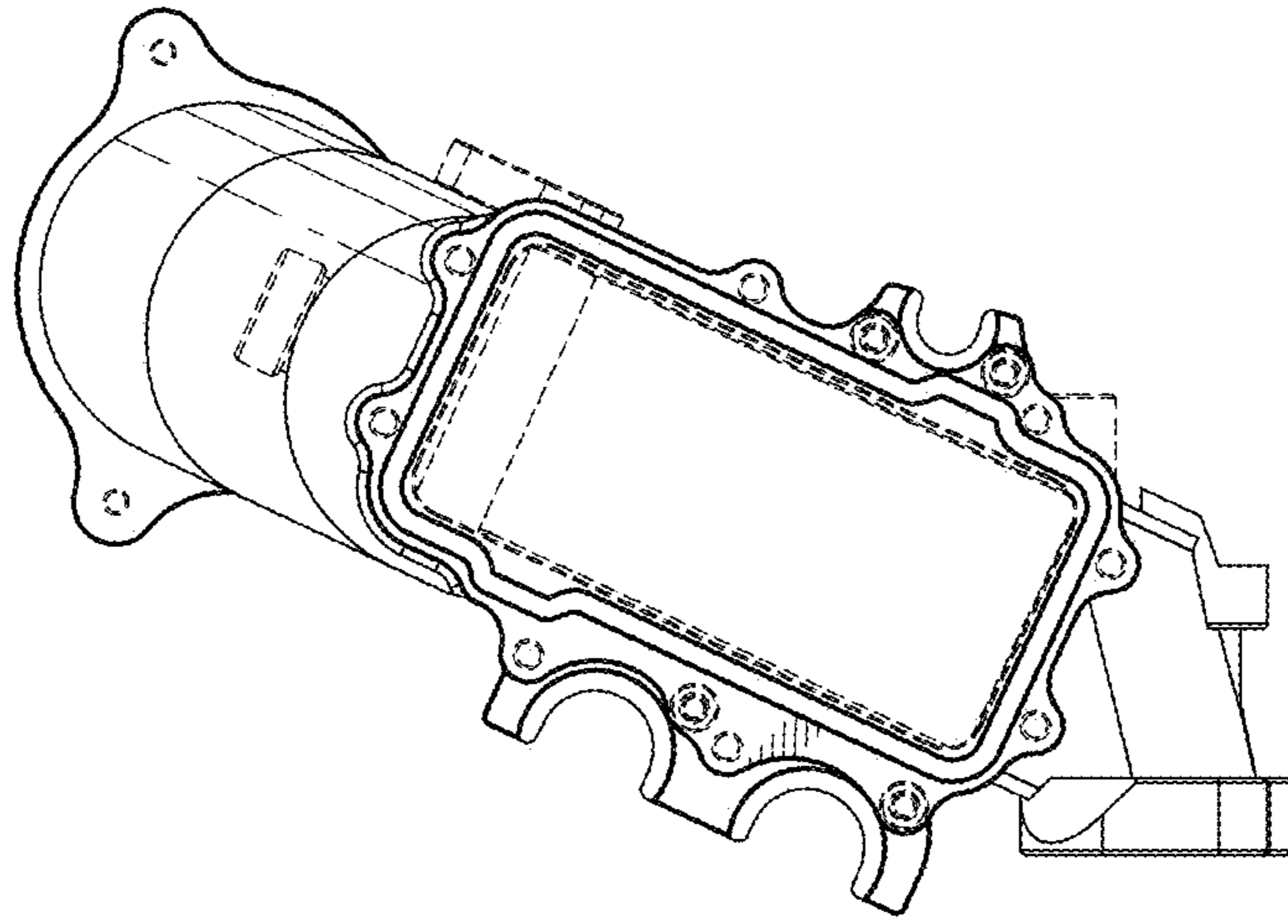


FIG. 6

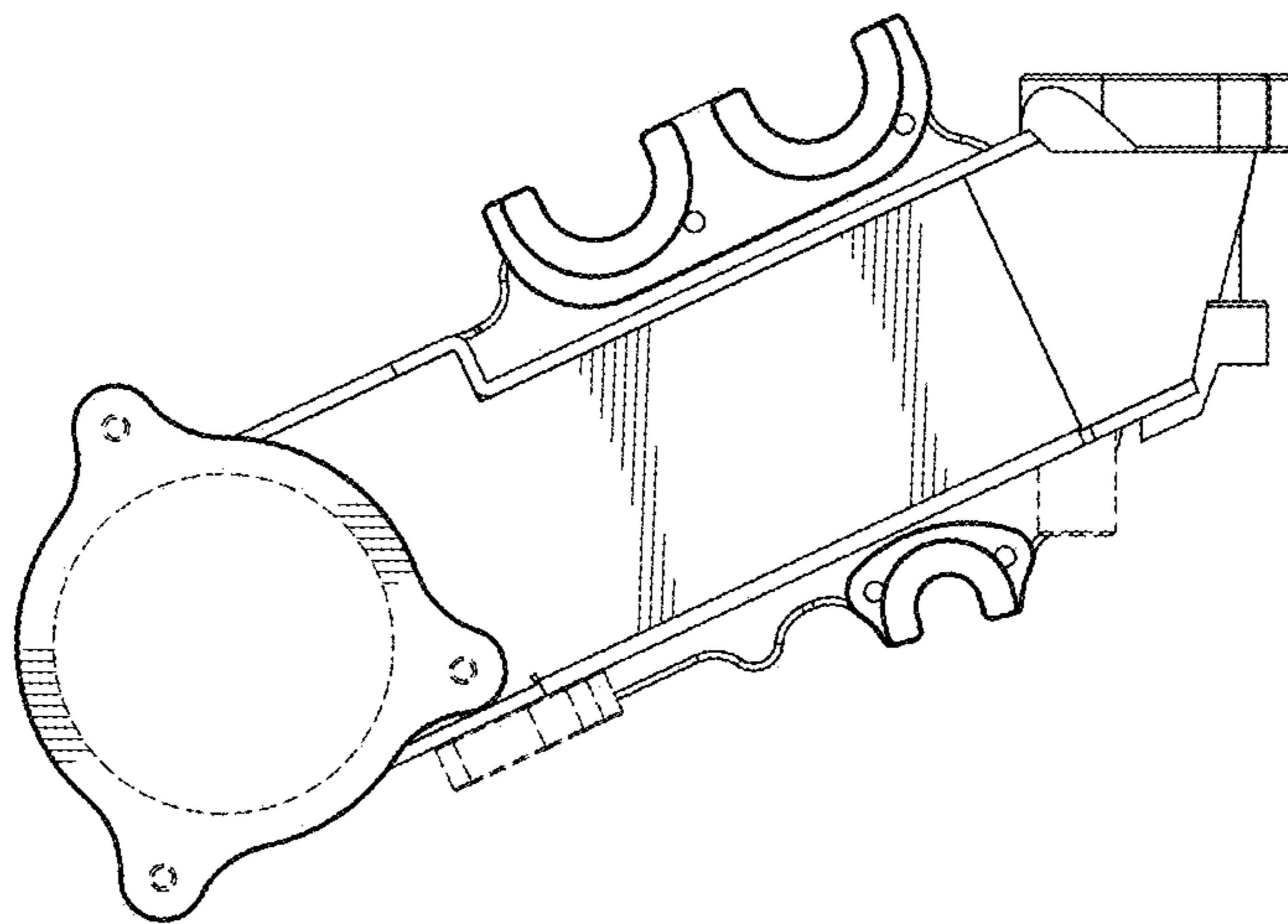


FIG. 5

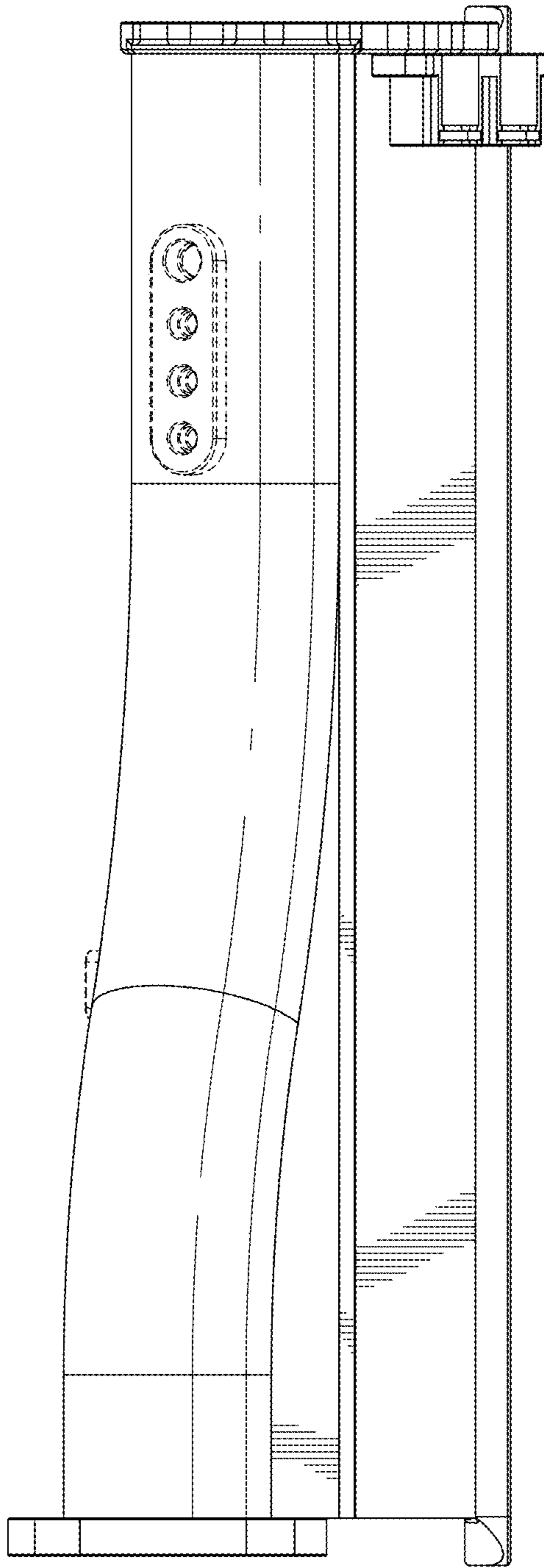


FIG. 7

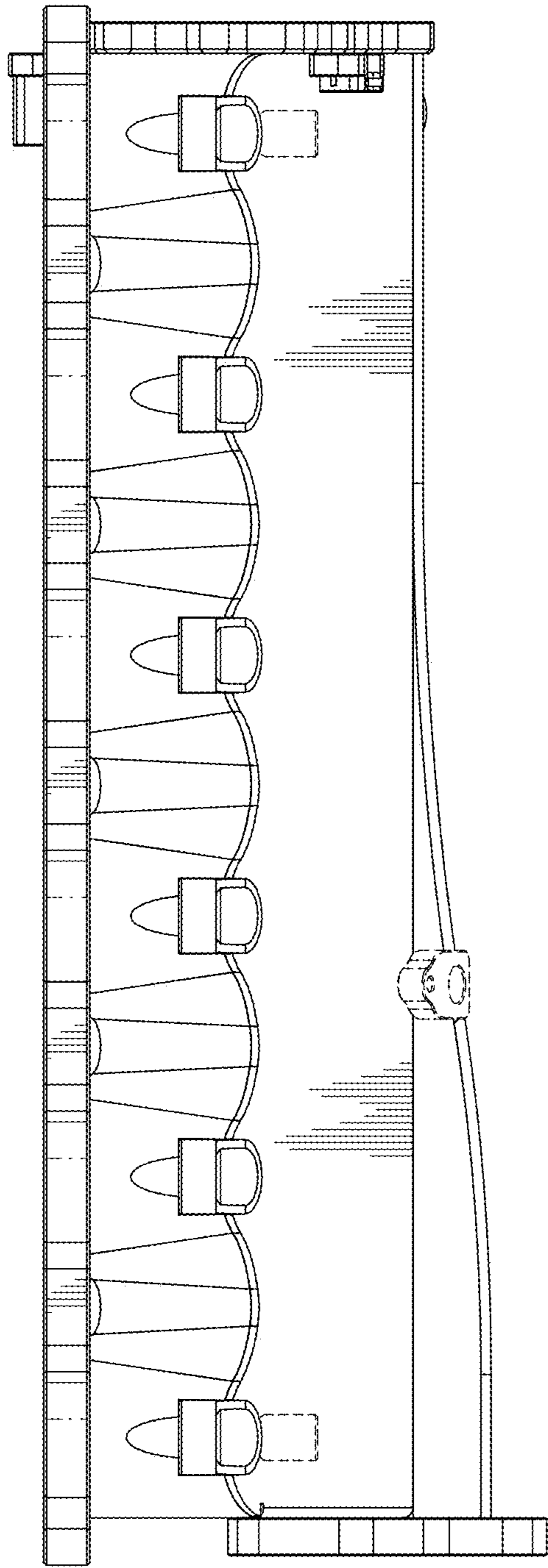


FIG. 8