



US00D963698S

(12) **United States Design Patent** (10) **Patent No.:** **US D963,698 S**  
**Koetsier** (45) **Date of Patent:** **\*\* Sep. 13, 2022**

- (54) **TROLLING MOTOR FOOT PEDAL**
- (71) Applicant: **Brunswick Corporation**, Mettawa, IL (US)
- (72) Inventor: **Nathan D. Koetsier**, Marne, MI (US)
- (73) Assignee: **Brunswick Corporation**, Mettawa, IL (US)
- (\*\*) Term: **15 Years**
- (21) Appl. No.: **29/696,282**
- (22) Filed: **Jun. 26, 2019**
- (51) **LOC (13) Cl.** ..... **15-01**
- (52) **U.S. Cl.**  
USPC ..... **D15/4**
- (58) **Field of Classification Search**  
USPC ..... D15/1-6  
CPC ..... B63H 20/007; B63H 21/21  
See application file for complete search history.

Primary Examiner — Ania Aman  
(74) *Attorney, Agent, or Firm* — Andrus Intellectual Property Law, LLP

(57) **CLAIM**

The ornamental design for a trolling motor foot pedal, as shown and described.

**DESCRIPTION**

FIG. 1 is a top plan view of a trolling motor foot pedal according to my new and ornamental design;  
 FIG. 2 is a bottom plan view thereof;  
 FIG. 3 is a left side elevation view thereof;  
 FIG. 4 is a right side elevation view thereof;  
 FIG. 5 is front elevation view thereof;  
 FIG. 6 is a back elevation view thereof;  
 FIG. 7 is a top perspective view thereof;  
 FIG. 8 is bottom perspective view thereof; and,  
 FIG. 9 is bottom perspective view thereof, showing a bottom portion of the trolling motor foot pedal separated from a top portion of the trolling motor foot pedal.

The top portion of the trolling motor foot pedal is shaded with lines to indicate that the top portion is made of a first material. The bottom portion of the trolling motor foot pedal is shaded with stippling to indicate that the bottom portion is made of a material other than the first material. The dash-dot lines separating portions of the trolling motor foot pedal shown in solid lines from portions of the trolling motor foot pedal shown in broken lines indicate boundaries of the claimed design and form no part of the claimed design. The portions of the trolling motor foot pedal shown in broken lines form no part of the claimed design. The dash-dot lines in FIG. 9 show how the parts of the trolling motor foot pedal are assembled together, and form no part of the claimed design.

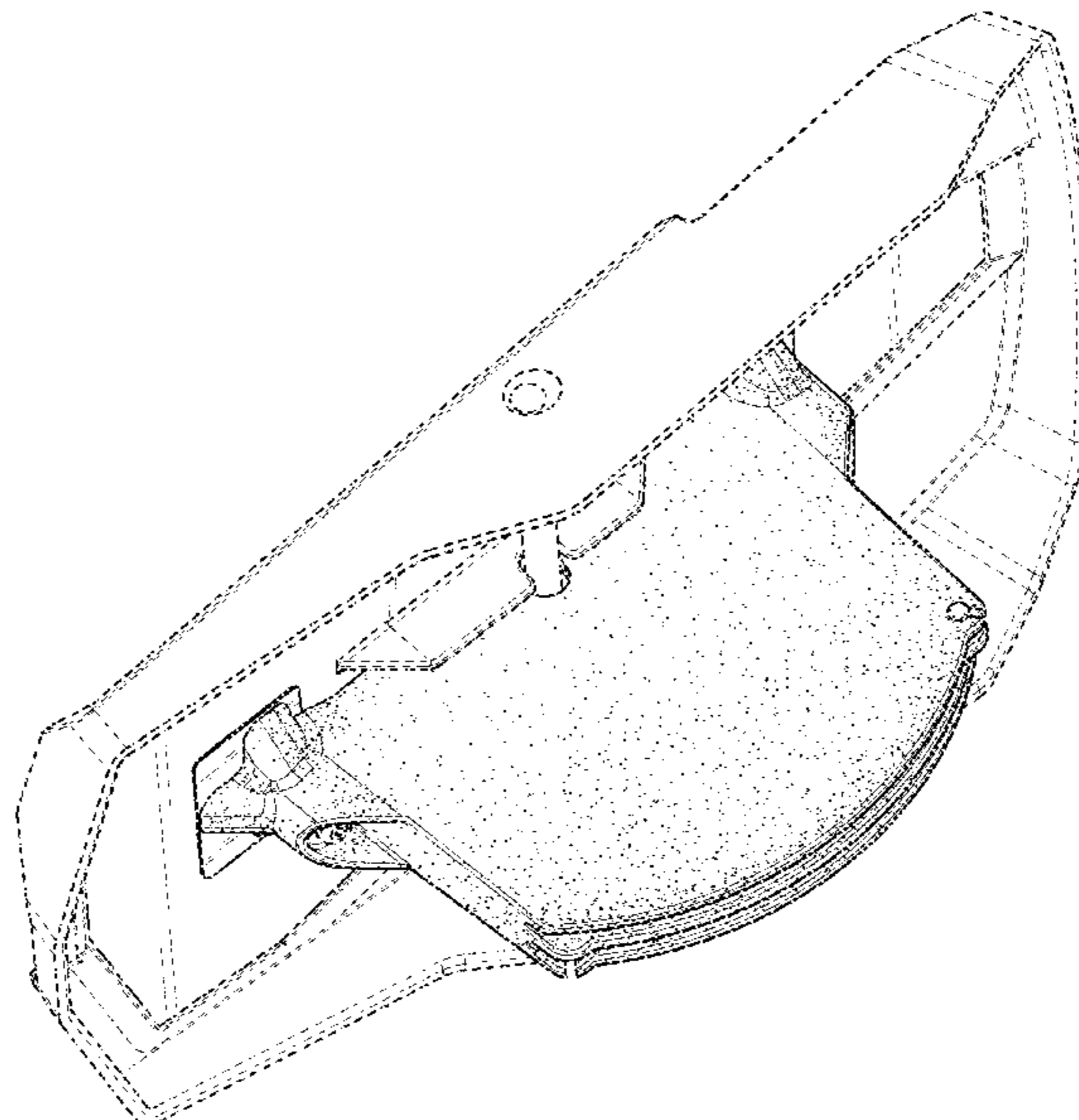
- (56) **References Cited**
- U.S. PATENT DOCUMENTS
- 5,465,633 A 11/1995 Bernloehr
- 6,468,117 B1 \* 10/2002 Healey ..... B63H 21/213  
440/7
- 8,221,175 B2 \* 7/2012 Mynster ..... B63B 34/05  
440/62
- 9,290,256 B1 \* 3/2016 Wireman ..... B63H 20/007
- 9,676,462 B2 \* 6/2017 Bernloehr ..... B63H 25/02
- 10,604,222 B1 \* 3/2020 Salisbury ..... B63H 20/12
- D886,863 S \* 6/2020 Bailey ..... D15/4
- 10,747,255 B2 \* 8/2020 Gahler ..... A61F 9/00736
- D905,757 S \* 12/2020 Domke ..... D15/4
- 2019/0176950 A1 \* 6/2019 Whiteside ..... B63H 25/42

**OTHER PUBLICATIONS**

Johnson Outdoors Marine Electronics, Inc., MinnKota Edge Bow-Mount Trolling Motor User Manual, 2014, pp. 1, 2, 5, 13, 16.

(Continued)

**1 Claim, 9 Drawing Sheets**



(56)

**References Cited**

OTHER PUBLICATIONS

Johnson Outdoors Marine Electronics, Inc., MinnKota Ultrex Parts Diagram & Parts List, 2016, p. 57.

Johnson Outdoors Marine Electronics, Inc., MinnKota Fortrex Bow-Mount Trolling Motor Owner's Manual, 2018, pp. 1, 2, 7, 8, 17, 18, 20, 22, 35, 57.

Mercury Marine, MotorGuide Tour Series Owner's Manual, 2010, pp. 5-7, 11, 18, 22, 23.

Johnson Outdoors Marine Electronics, Inc., MinnKota Edge, Maxuum, and Fortrex Foot Pedal, see attached Declaration.

\* cited by examiner

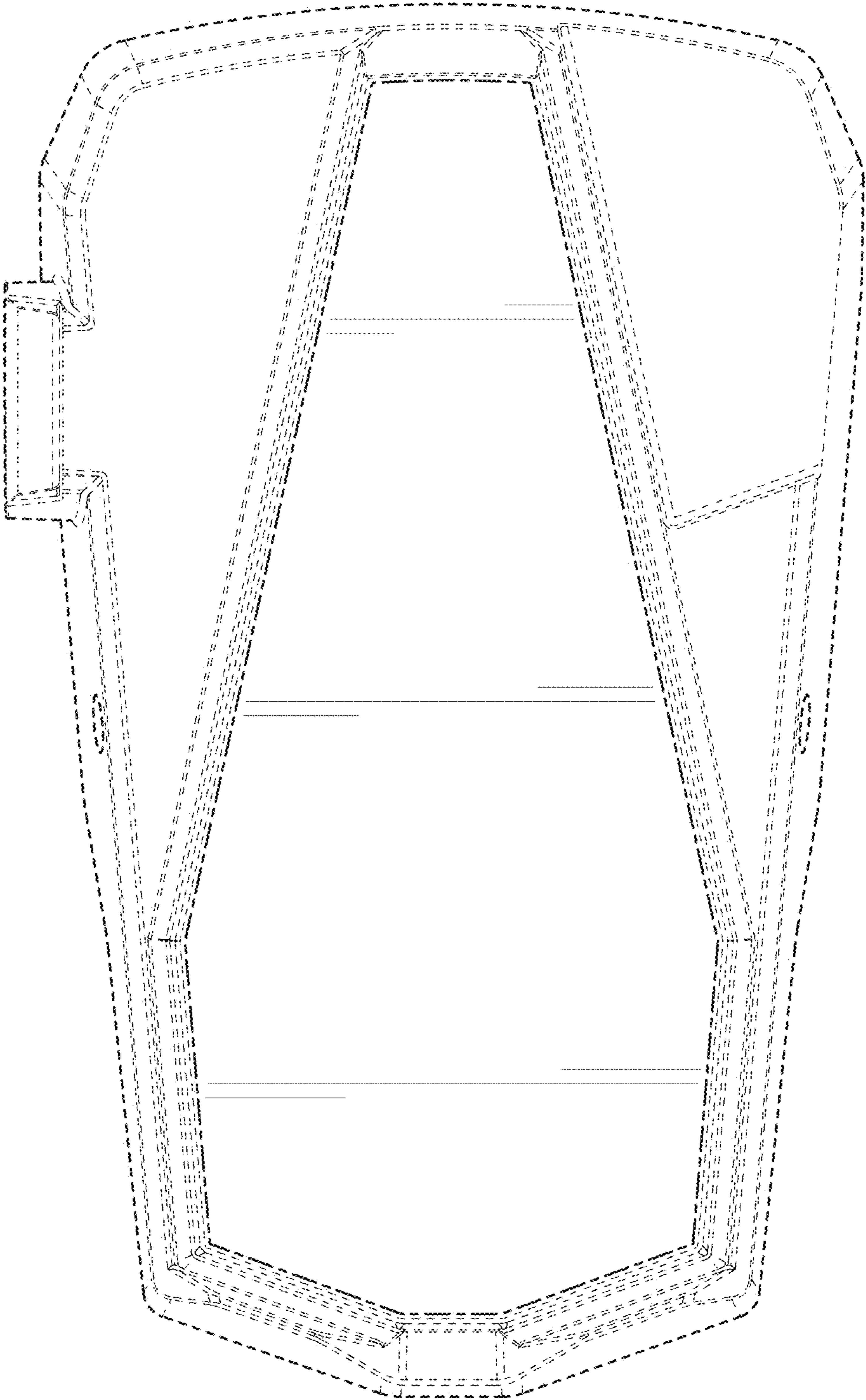


FIG. 1

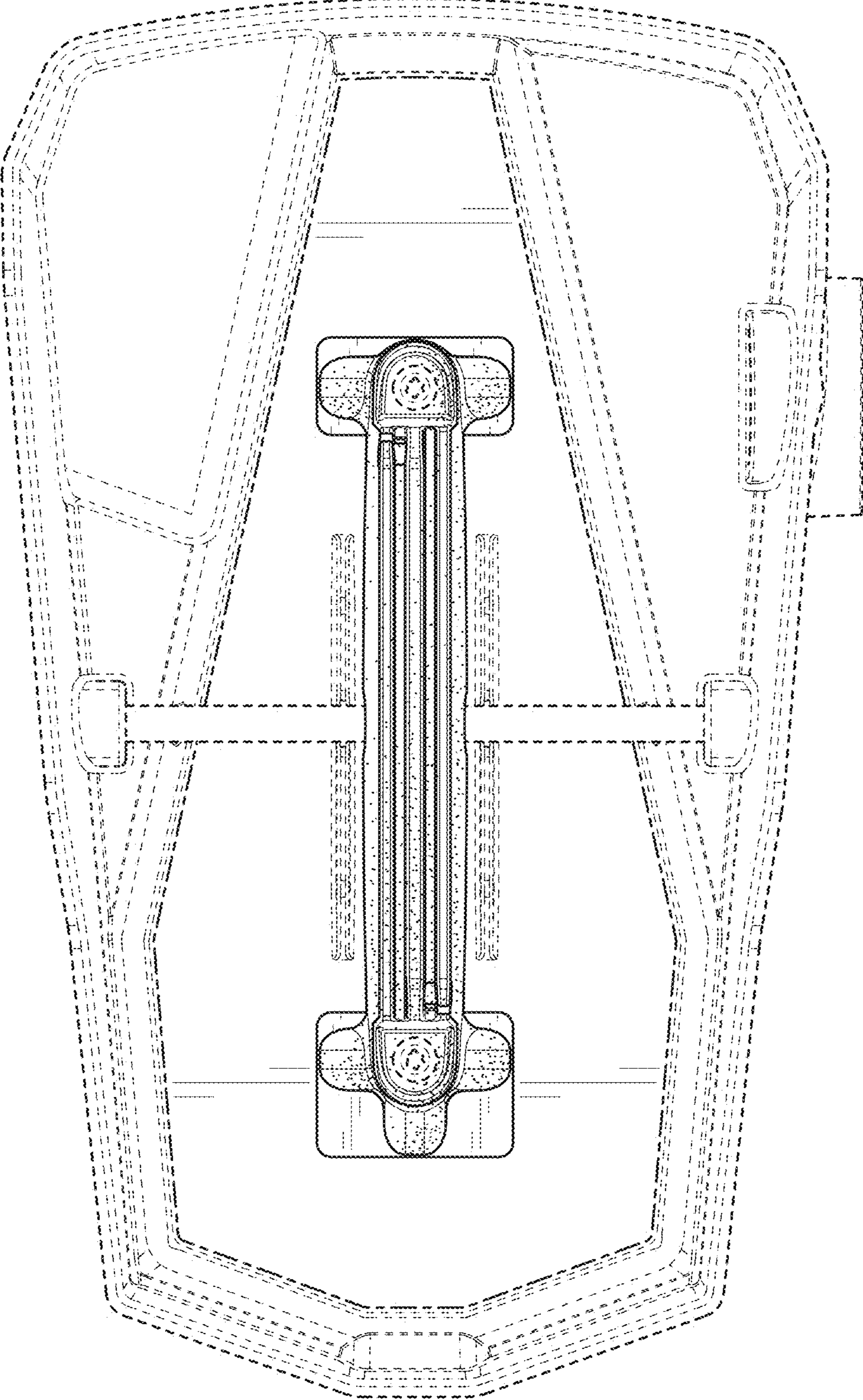


FIG. 2

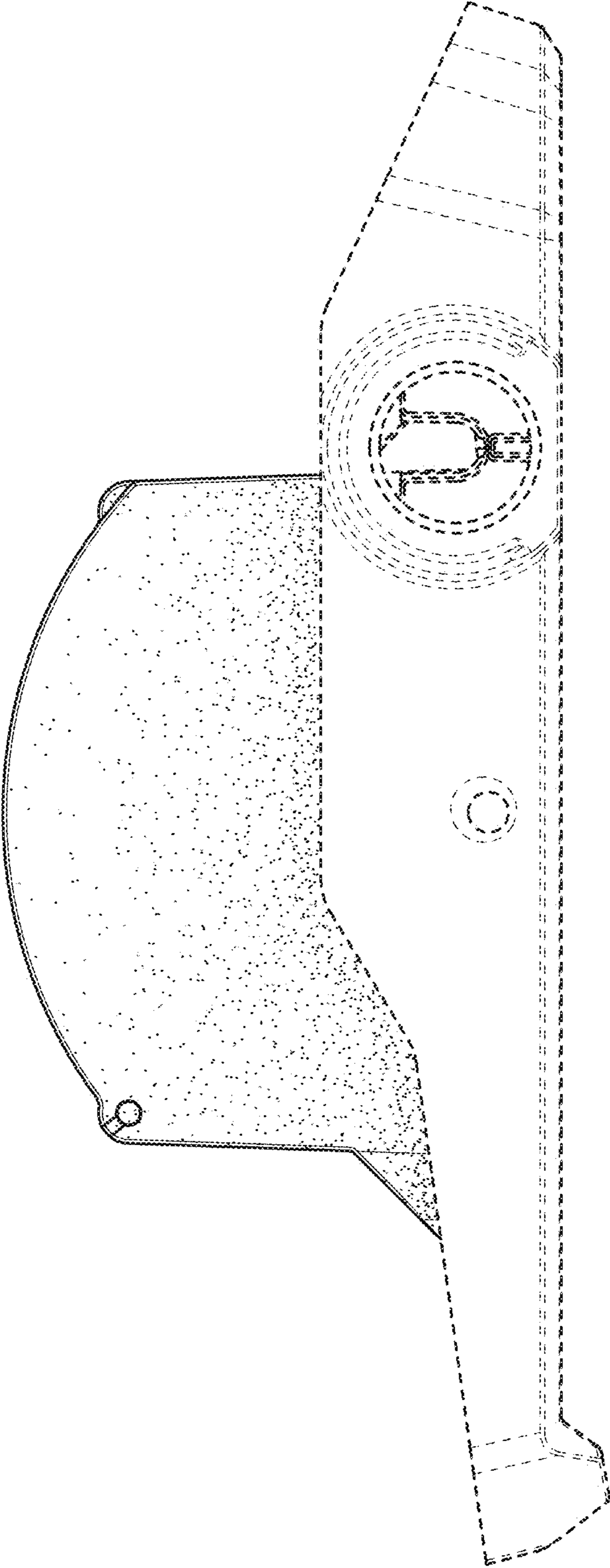


FIG. 3

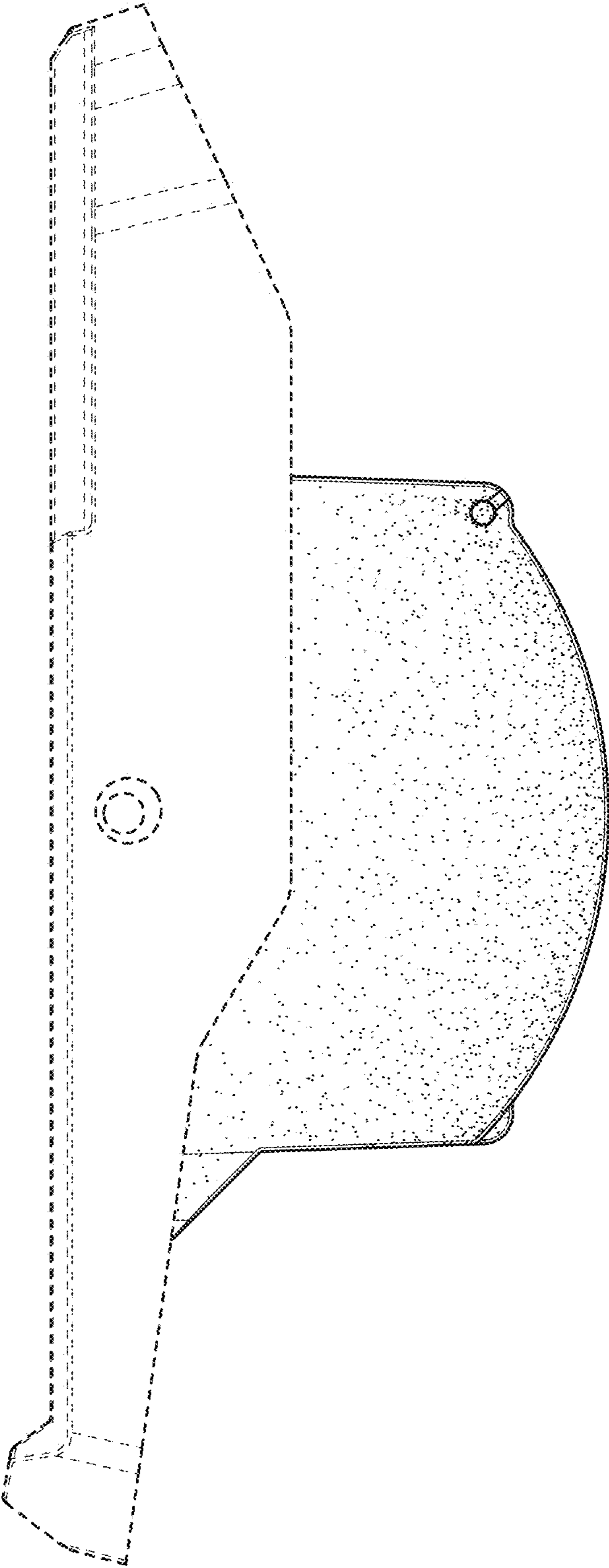


FIG. 4

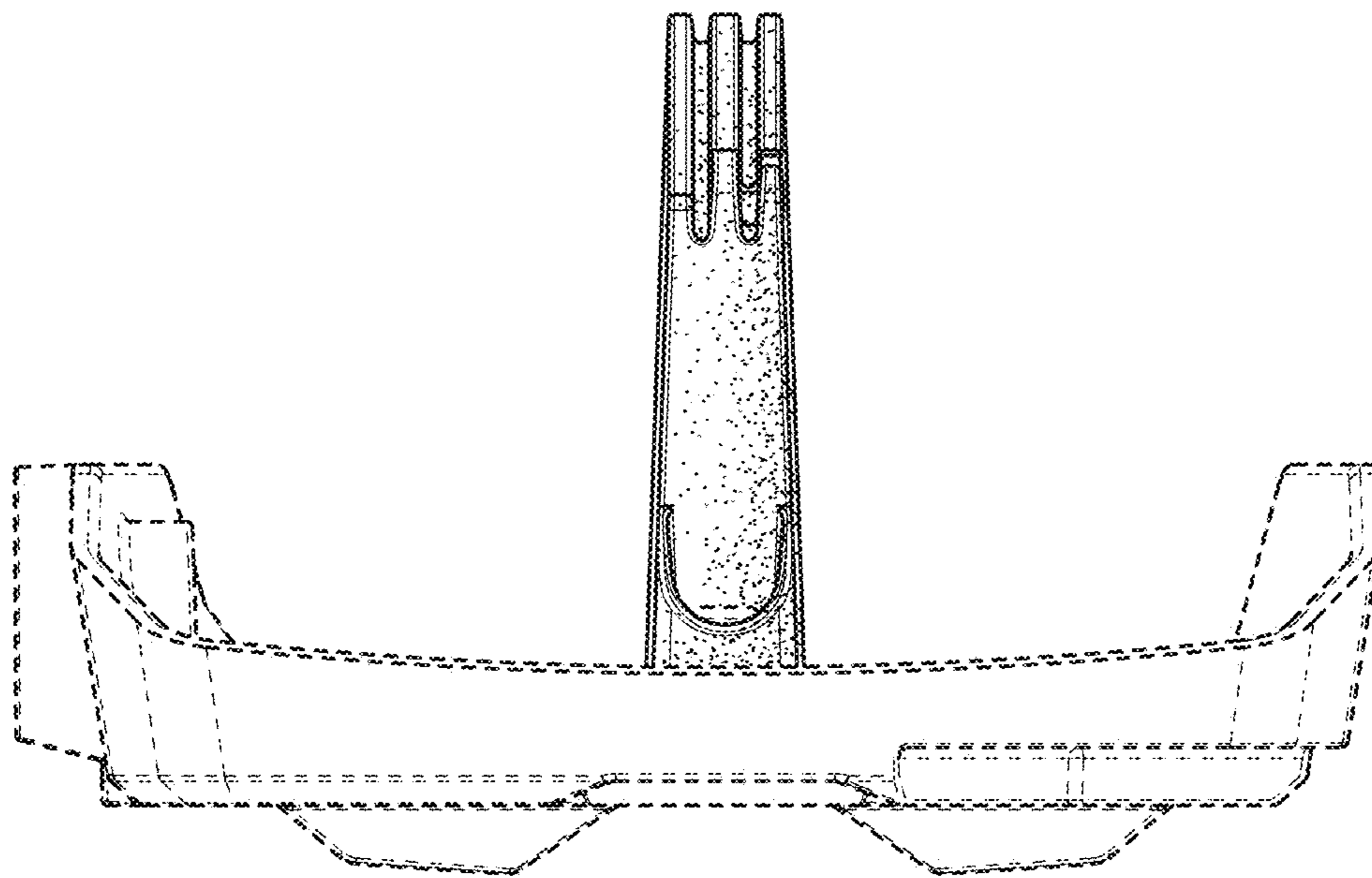


FIG. 5

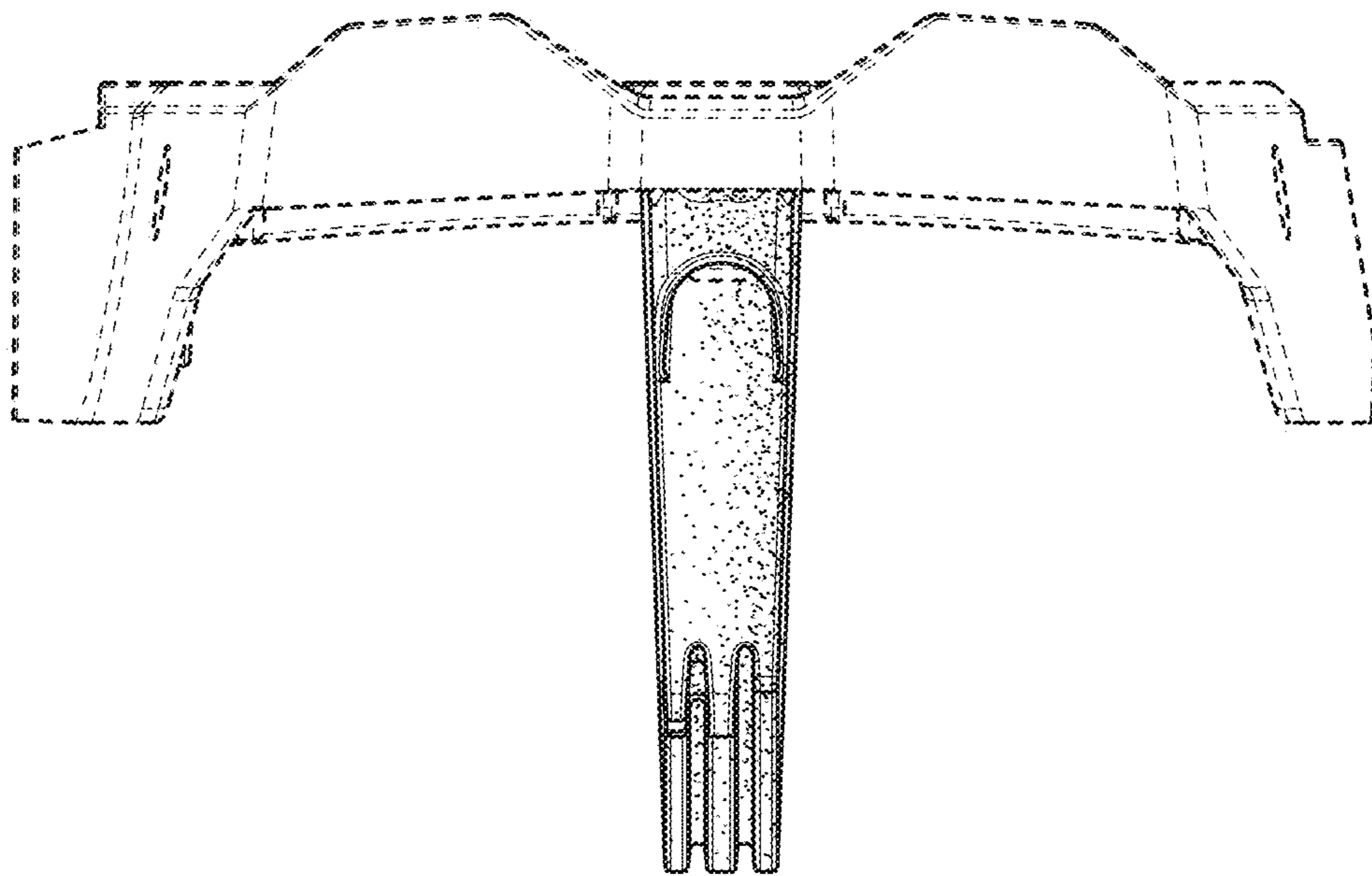


FIG. 6



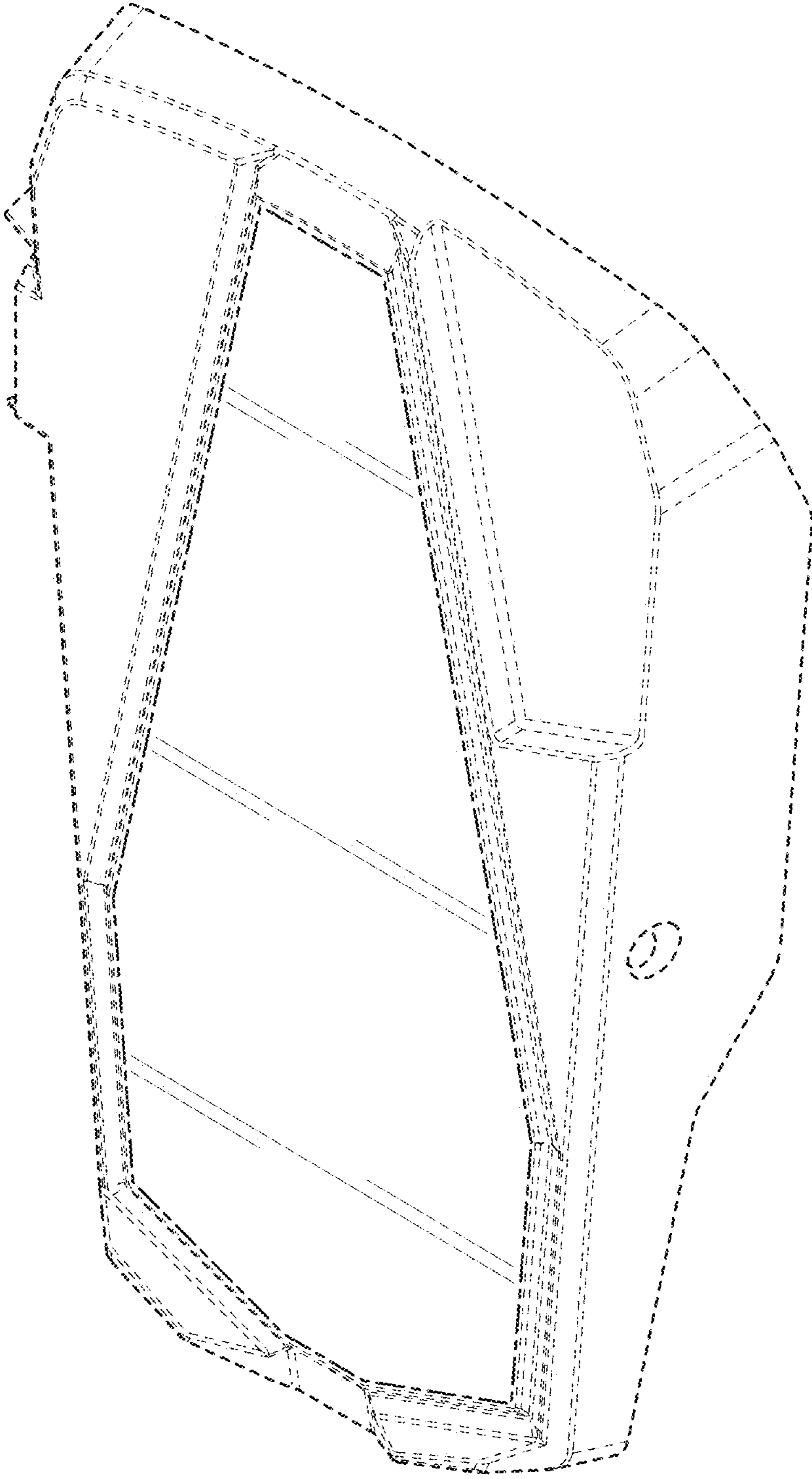


FIG. 7

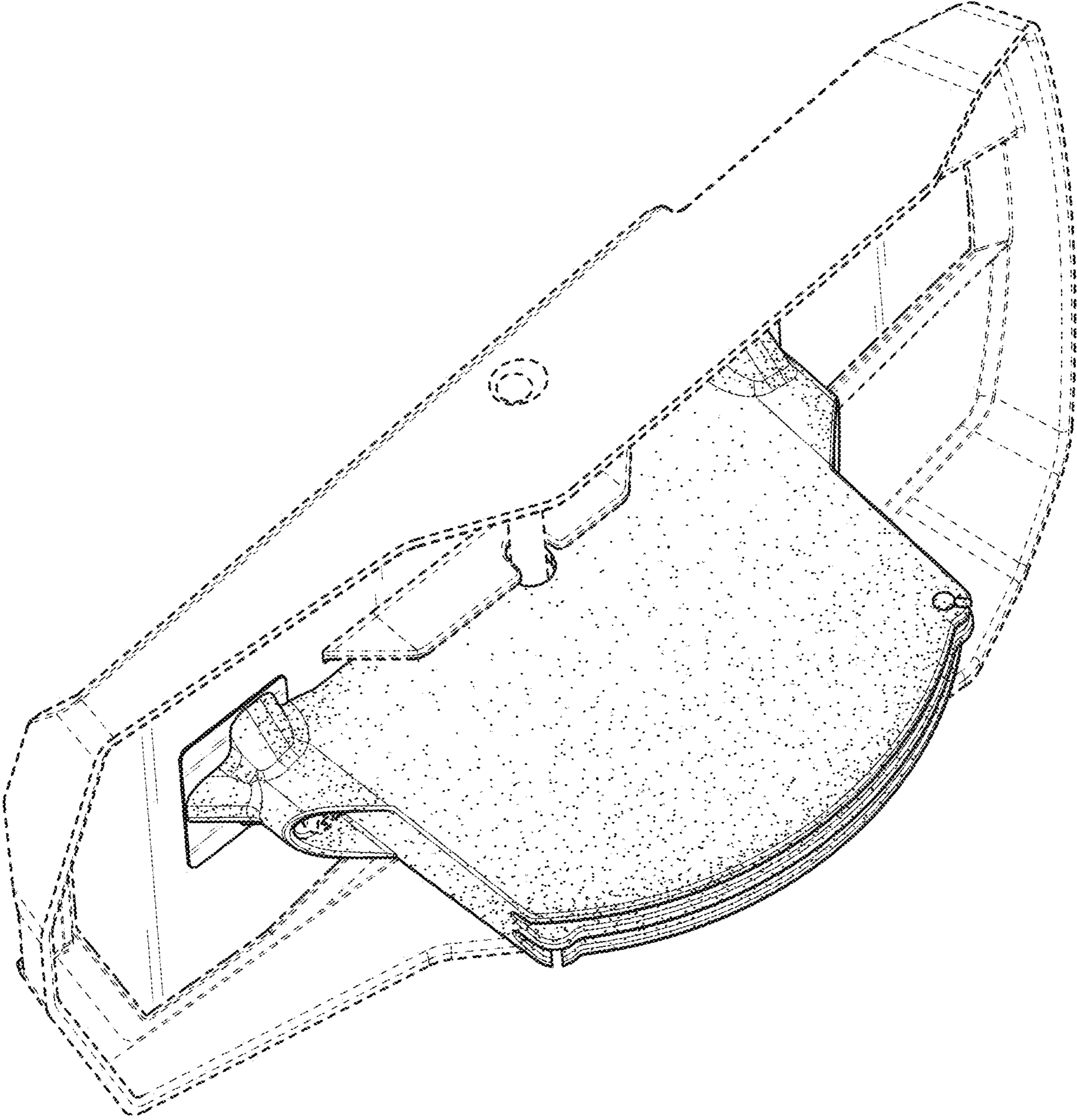


FIG. 8

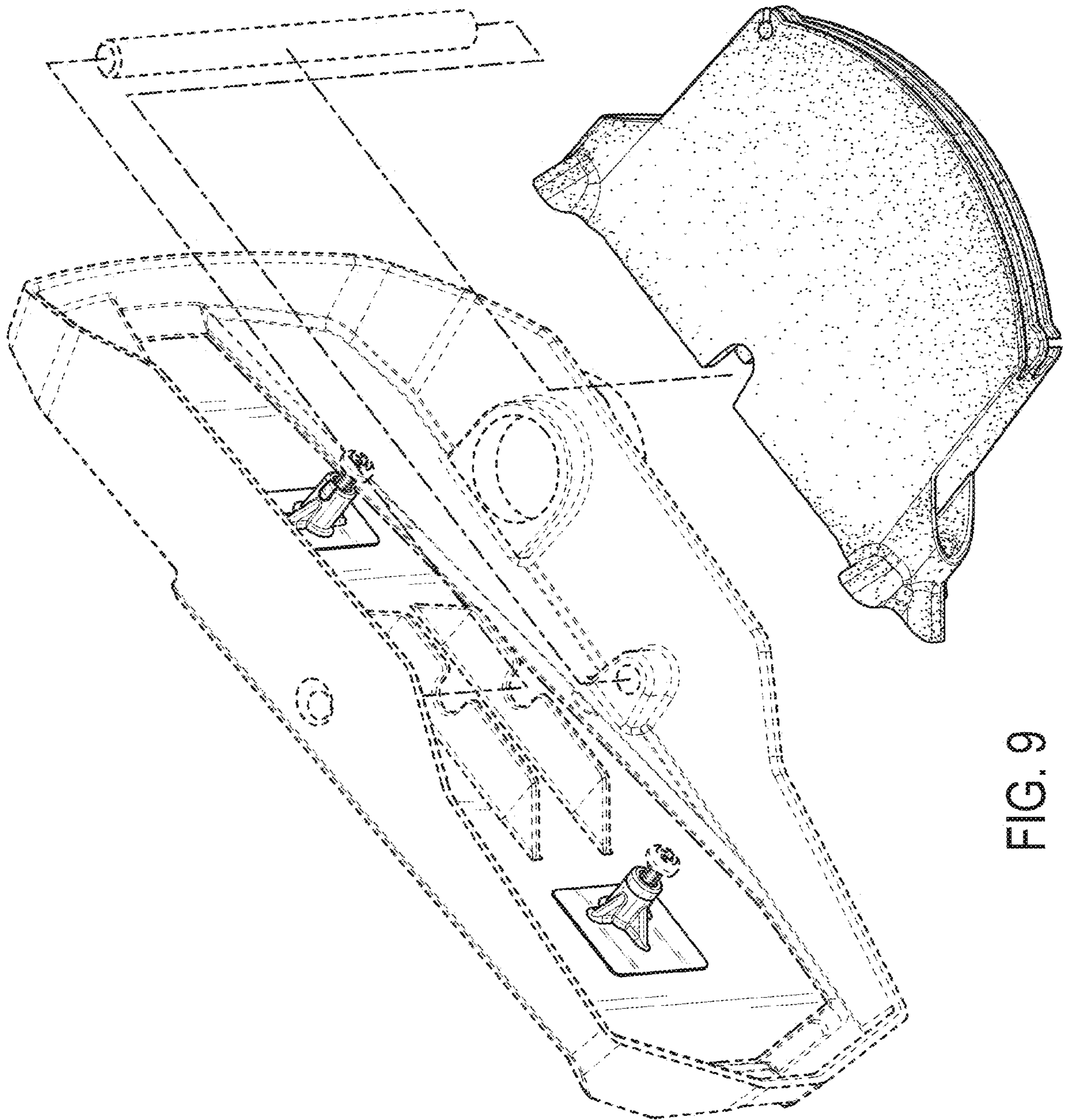


FIG. 9

UNITED STATES PATENT AND TRADEMARK OFFICE  
**CERTIFICATE OF CORRECTION**

PATENT NO. : D963,698 S  
APPLICATION NO. : 29/696282  
DATED : September 13, 2022  
INVENTOR(S) : Nathan D. Koetsier

Page 1 of 1

It is certified that error appears in the above-identified patent and that said Letters Patent is hereby corrected as shown below:

On the Title Page

Item (56) References Cited: Add -- MERCURY MARINE, MotorGuide Tour  
Other Publications Series Foot Pedal, see attached Declaration. --

Signed and Sealed this  
Eleventh Day of October, 2022  
*Katherine Kelly Vidal*

Katherine Kelly Vidal  
*Director of the United States Patent and Trademark Office*