



US00D963697S

(12) **United States Design Patent**  
**Kim**

(10) **Patent No.:** **US D963,697 S**  
(45) **Date of Patent:** **\*\* \*Sep. 13, 2022**

(54) **WHITE NOISE AND SLEEP AID DEVICE IN COMBINATION WITH A PLUSH TOY**

D826,901 S \* 8/2018 Bearsch ..... D14/207  
D872,195 S \* 1/2020 Jin ..... D21/606  
D925,390 S \* 7/2021 May ..... D11/82

(71) Applicant: **Elijah Kim**, Sydney (AU)

FOREIGN PATENT DOCUMENTS

(72) Inventor: **Elijah Kim**, Sydney (AU)

CN 304044511 \* 2/2017  
KR 300894218.0000 \* 2/2017

(\* ) Notice: This patent is subject to a terminal disclaimer.

OTHER PUBLICATIONS

(\*\*) Term: **15 Years**

Rechargeable Funkarooz Baby Owl White Noise Machine, review date: Jun. 11, 2019, [retrieved Jan. 28, 2021], Retrieved from Internet, URL: <<https://www.amazon.com/Rechargeable-Funkarooz-Shushing-Portable-Stroller/dp/B07N1X17J6>> (Year: 2019).\*  
Skip Hop Baby Sound Machine, review date: Nov. 11, 2018, [retrieved Jan. 28, 2021], Retrieved from Internet, URL: <[https://www.amazon.com/Skip-Hop-Sound-Machine-Soothe/dp/B076F9LV2V/ref=asc\\_df\\_B076F9LV2V/?tag=hyprod-20&linkCode=df0&hvadid=1981%E2%80%A6&th=1](https://www.amazon.com/Skip-Hop-Sound-Machine-Soothe/dp/B076F9LV2V/ref=asc_df_B076F9LV2V/?tag=hyprod-20&linkCode=df0&hvadid=1981%E2%80%A6&th=1)> (Year: 2018).\*

(21) Appl. No.: **29/672,900**

(22) Filed: **Dec. 10, 2018**

(51) **LOC (13) Cl.** ..... **14-03**

(52) **U.S. Cl.**  
USPC ..... **D14/496**

(58) **Field of Classification Search**  
USPC ..... D14/155–159, 160–173, 187–188,  
D14/203.1–203.8, 204–216, 217–222,  
D14/223, 225–229, 496; D21/584, 606  
CPC ..... H04R 1/02; H04R 1/021; H04R 1/023;  
H04R 5/00; H04R 9/06; H04R 2420/07  
See application file for complete search history.

(Continued)

*Primary Examiner* — Messina L Smith  
*Assistant Examiner* — Aram Kwon  
(74) *Attorney, Agent, or Firm* — Cabilly & Co

(56) **References Cited**

(57) **CLAIM**

The ornamental design for a white noise and sleep aid device in combination with a plush toy, as shown and described.

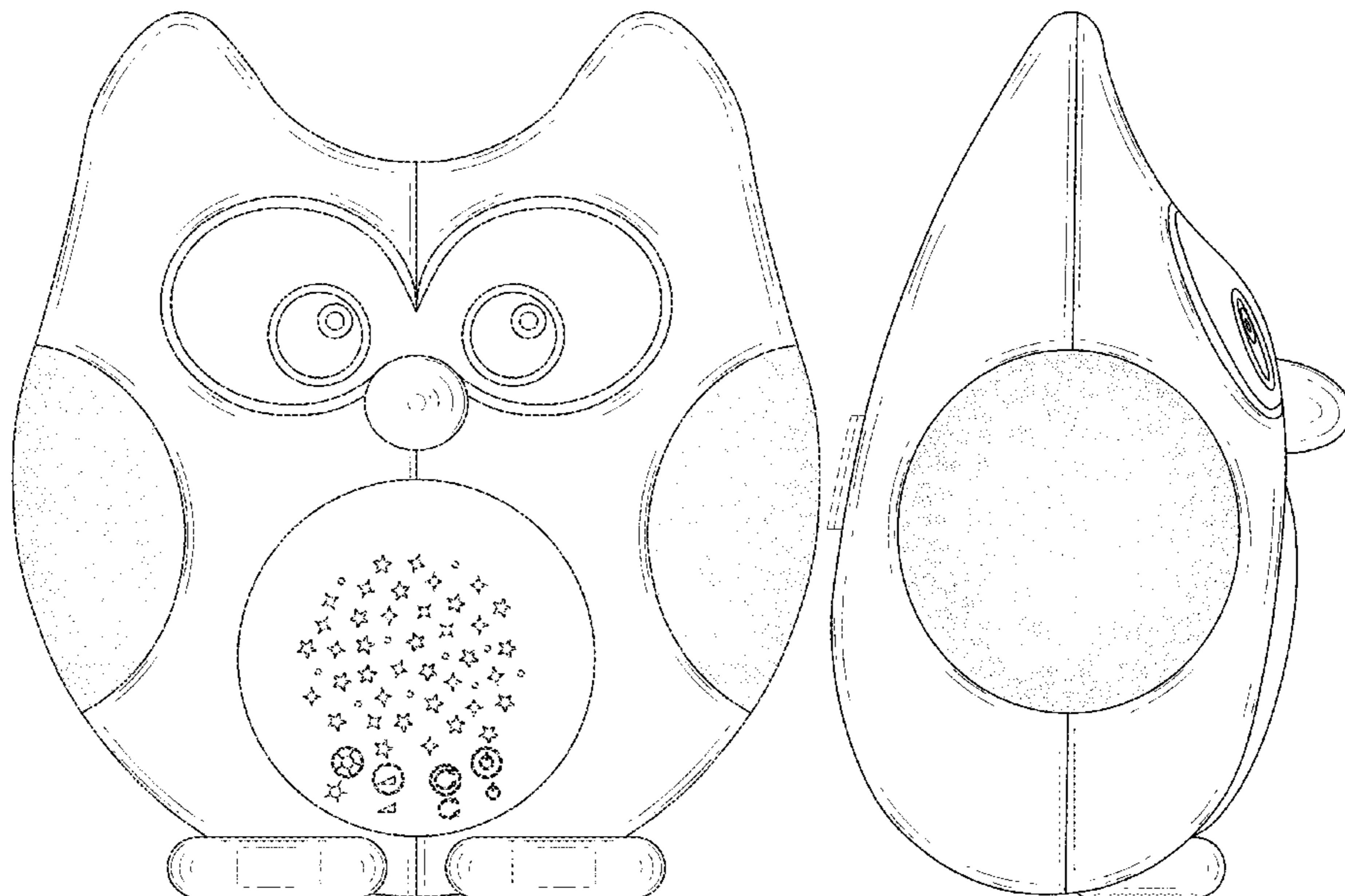
U.S. PATENT DOCUMENTS

**DESCRIPTION**

D223,162 S \* 3/1972 Meth ..... D11/162  
D263,404 S \* 3/1982 Clark ..... D21/408  
D270,457 S \* 9/1983 Bury ..... D11/137  
D326,297 S \* 5/1992 Noshiro ..... D21/531  
D650,213 S \* 12/2011 Ogawa ..... D6/598  
D655,632 S \* 3/2012 van der Lande ..... D10/40  
D663,790 S \* 7/2012 Williams ..... D21/606  
D701,580 S \* 3/2014 Shalev ..... D21/606  
D714,881 S \* 10/2014 Michalowski ..... D21/576  
D730,616 S \* 6/2015 Keating ..... D1/107  
D751,531 S \* 3/2016 Bearsch ..... D14/207  
D791,500 S \* 7/2017 Ioppolo ..... D6/564

FIG. 1 is a front view of white noise and sleep aid device in combination with a plush toy, illustrating the present design; FIG. 2 is a rear view thereof; FIG. 3 is a side view thereof; FIG. 4 is a top plan top down view thereof; and, FIG. 5 is a bottom view thereof. The broken lines show portions of the white noise and sleep aid device in combination with a plush toy that form no part of the claimed design.

**1 Claim, 5 Drawing Sheets**



(56)

**References Cited**

OTHER PUBLICATIONS

Baby Soother Toys Owl White Noise Sound Machine, date available: Jun. 11, 2020, [retrieved Jan. 28, 2021], Retrieved from Internet, URL: <[https://www.amazon.co.uk/Bubzi-Co-Essentials-Woodland-Portable/dp/B06Y5Q5XRB/ref=sr\\_1\\_5?dchild=1&keywords=Baby+Soother+Toys+Owl+W%E2%80%A6](https://www.amazon.co.uk/Bubzi-Co-Essentials-Woodland-Portable/dp/B06Y5Q5XRB/ref=sr_1_5?dchild=1&keywords=Baby+Soother+Toys+Owl+W%E2%80%A6)> (Year: 2020).\*

Wavhello™ Soundbub™ Ollie, review date: 2019, [retrieved Jan. 28, 2021], Retrieved from Internet, URL: <<https://www.buybuybaby.com/store/product/wavhello-trade-soundbub-trade-ollie-the-owl-bluetooth-speaker-and-soother/1060195227>> (Year: 2019).\*

\* cited by examiner

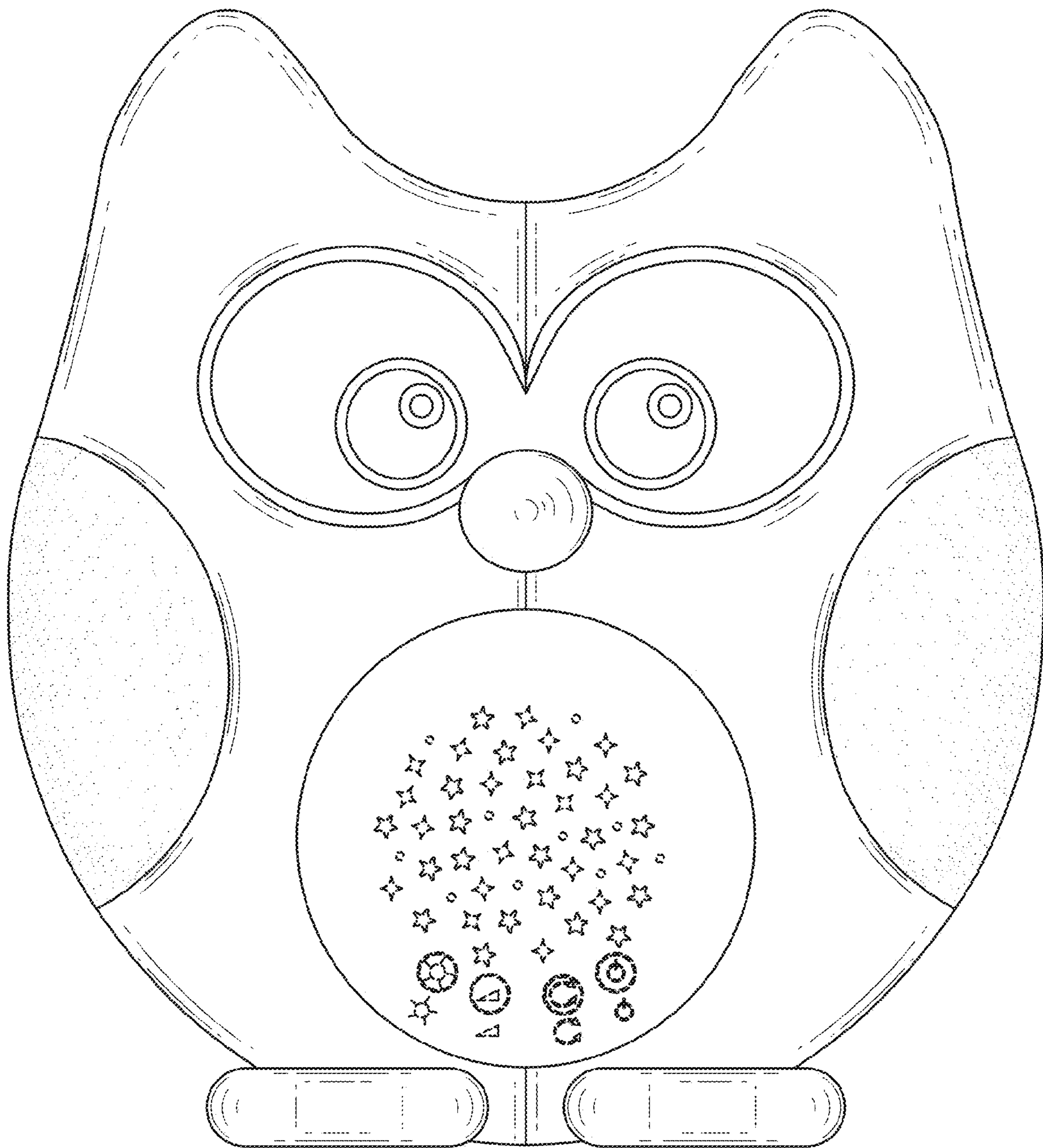


FIG. 1

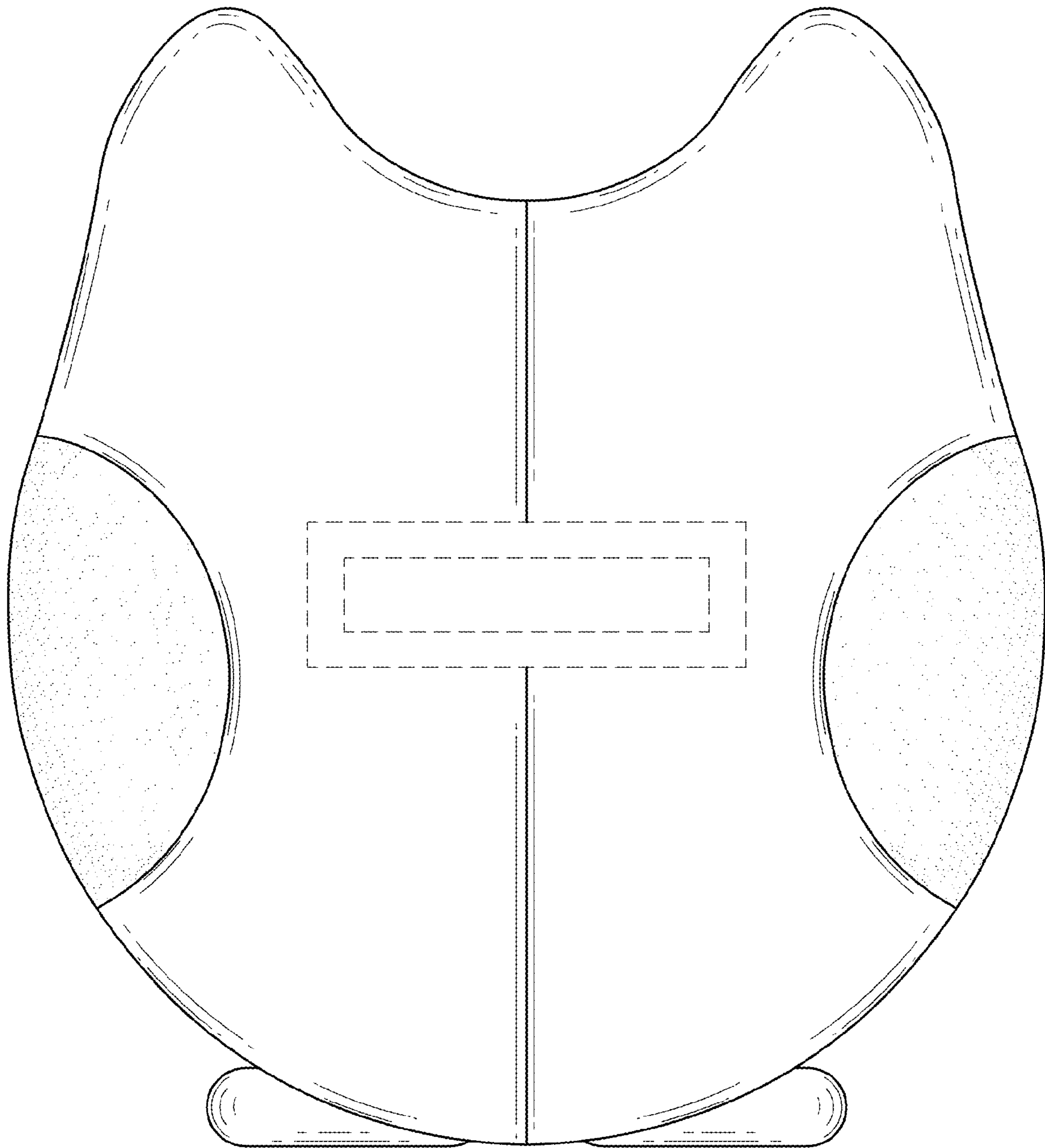


FIG. 2

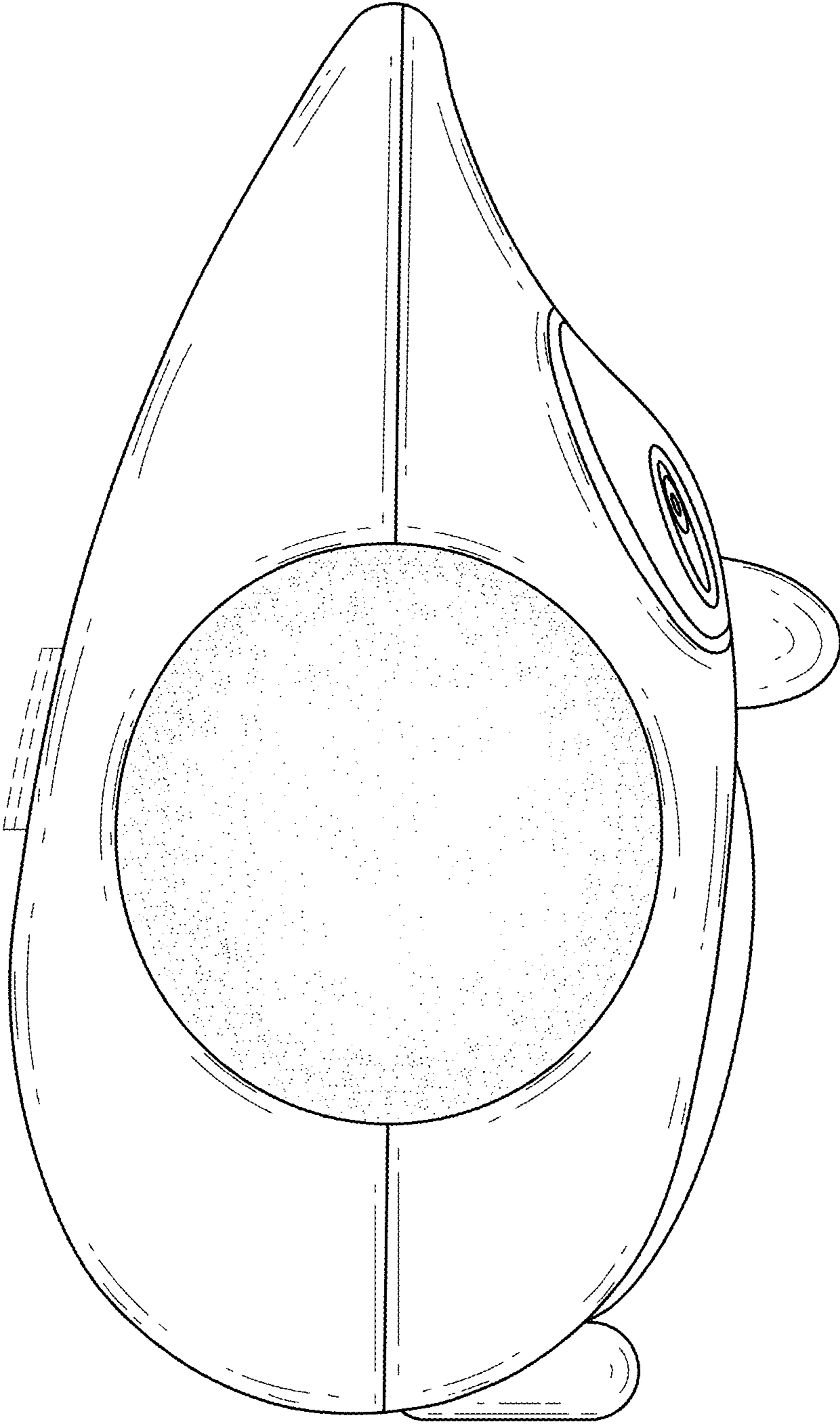


FIG.3

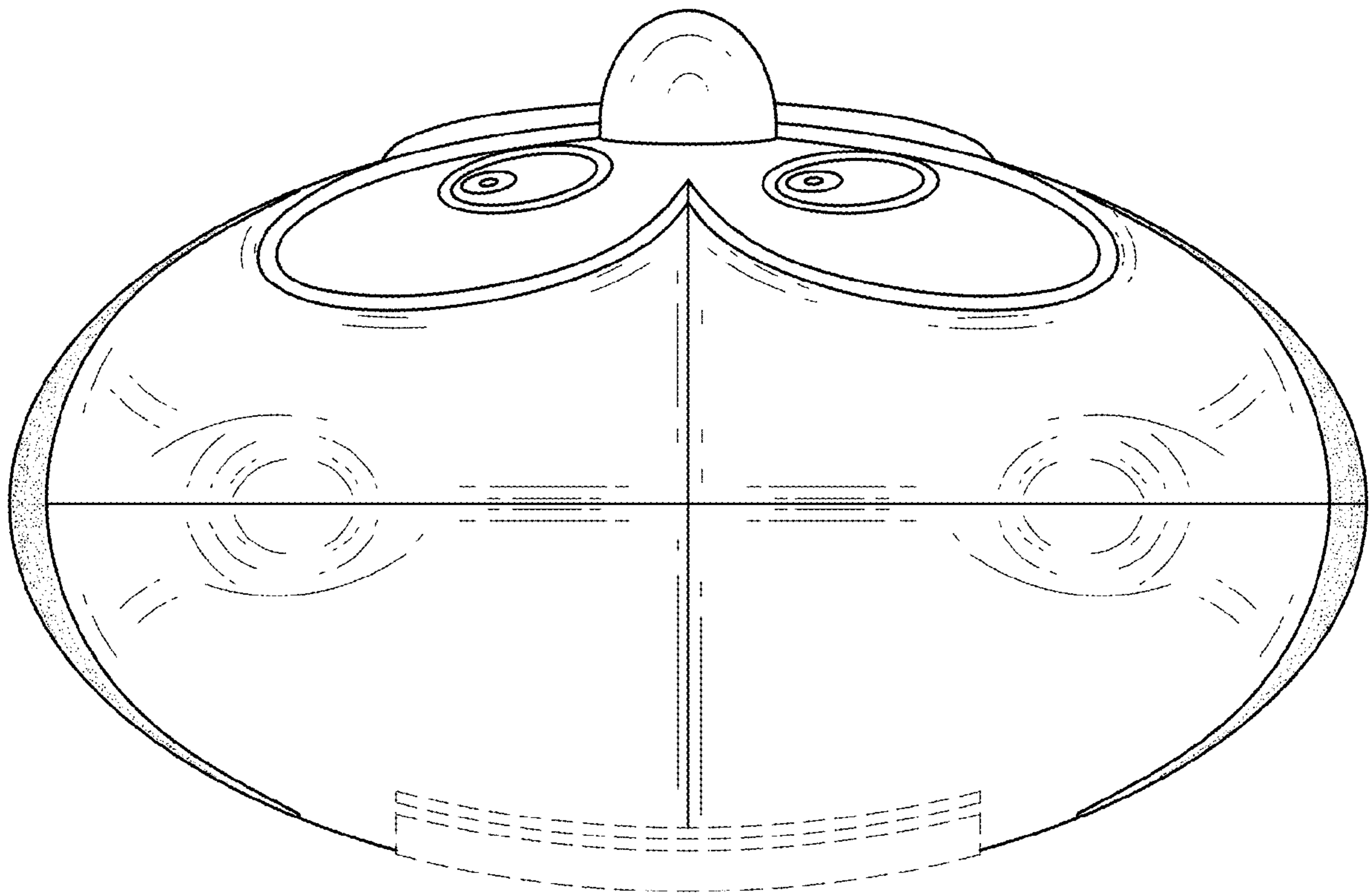


FIG.4

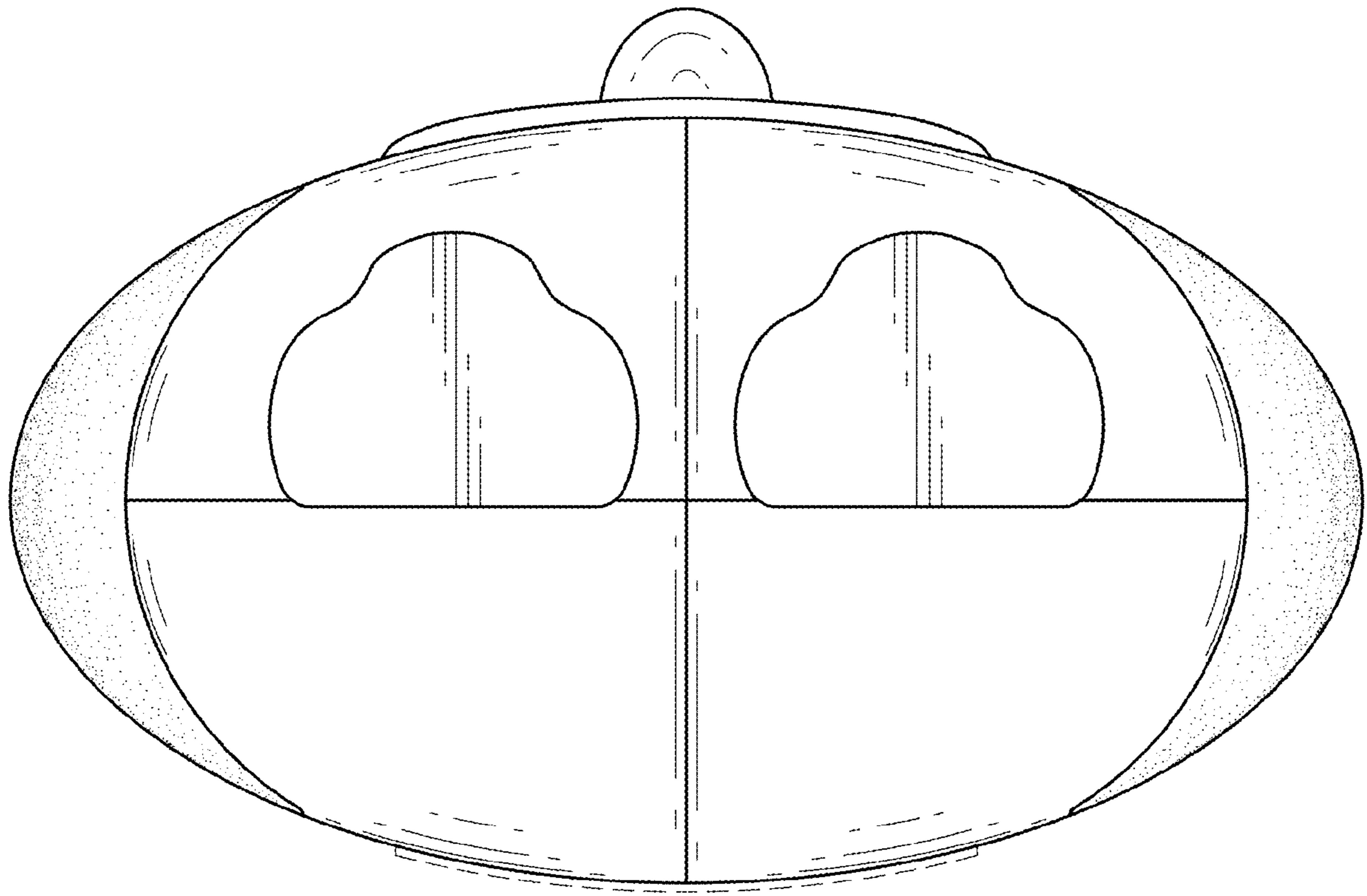


FIG. 5