



US00D963658S

(12) **United States Design Patent**  
**Knapp et al.**

(10) **Patent No.: US D963,658 S**  
(45) **Date of Patent: \*\* Sep. 13, 2022**

(54) **PROJECTION MOUNTING DEVICE**

7,758,001 B2 \* 7/2010 Bouissiere ..... F16M 11/14  
248/206.5  
D624,949 S \* 10/2010 Nakayama ..... D16/235  
8,287,142 B2 \* 10/2012 Pickard ..... F21V 21/048  
362/148

(71) Applicant: **CKnapp Sales, Inc.**, Goodfield, IL  
(US)

(Continued)

(72) Inventors: **Chance Knapp**, Goodfield, IL (US);  
**Brandon Meyer**, Normal, IL (US)

**FOREIGN PATENT DOCUMENTS**

(73) Assignee: **CKnapp Sales, Inc.**, Goodfield, IL  
(US)

CA 185515 \* 1/2020  
KR 300611269.0000 \* 9/2011

(\*\*) Term: **15 Years**

**OTHER PUBLICATIONS**

(21) Appl. No.: **29/673,686**

Mount-VP07DP, Vivo, vivo-us.com, author and date not listed ©  
2021 Vivo, online, site visited Mar. 22, 2021. Available from  
Internet, URL: [https://www.vivo-us.com/products/mount-vp07dp?\\_pos=8&\\_sid=6fcaa12c3&\\_ss=r](https://www.vivo-us.com/products/mount-vp07dp?_pos=8&_sid=6fcaa12c3&_ss=r) (Year: 2021).\*

(22) Filed: **Dec. 17, 2018**

(Continued)

(51) **LOC (13) Cl.** ..... **14-02**

(52) **U.S. Cl.**

USPC ..... **D14/452**

(58) **Field of Classification Search**

USPC ..... D14/203.8, 214, 224, 229, 238, 238.1,  
D14/253, 316, 324, 372, 374-377,  
D14/388-389, 434, 447, 451-452, 431;  
D20/10, 15, 40, 42-44; D8/306, 363,  
D8/380-382, 354; D16/232, 235, 242  
CPC ..... A47G 1/141; A47G 1/0605; A47G 1/142;  
G09F 1/12; G06Q 20/202  
See application file for complete search history.

*Primary Examiner* — Sandra Snapp

*Assistant Examiner* — Altaira J Swangin

(74) *Attorney, Agent, or Firm* — Marshall, Gerstein &  
Borun LLP

(57)

**CLAIM**

The ornamental design for a projection mounting device, as  
shown and described.

**DESCRIPTION**

(56) **References Cited**

**U.S. PATENT DOCUMENTS**

6,708,940 B2 \* 3/2004 Ligertwood ..... F16M 11/10  
248/324  
D544,868 S \* 6/2007 Katagiri ..... D14/451  
D568,323 S \* 5/2008 Gillespie ..... D14/451  
D573,146 S \* 7/2008 Sukenari ..... D14/431  
7,497,412 B2 \* 3/2009 Dittmer ..... F16M 11/12  
248/514  
7,503,536 B2 \* 3/2009 Friederich ..... F16M 11/043  
248/324  
D602,514 S \* 10/2009 Dittmer ..... D16/235  
D616,011 S \* 5/2010 Dittmer ..... D16/235

FIG. 1 is a perspective view showing a new design for a  
projection mounting device;

FIG. 2 is a front view thereof;

FIG. 3 is a rear view thereof;

FIG. 4 is a left-side view thereof;

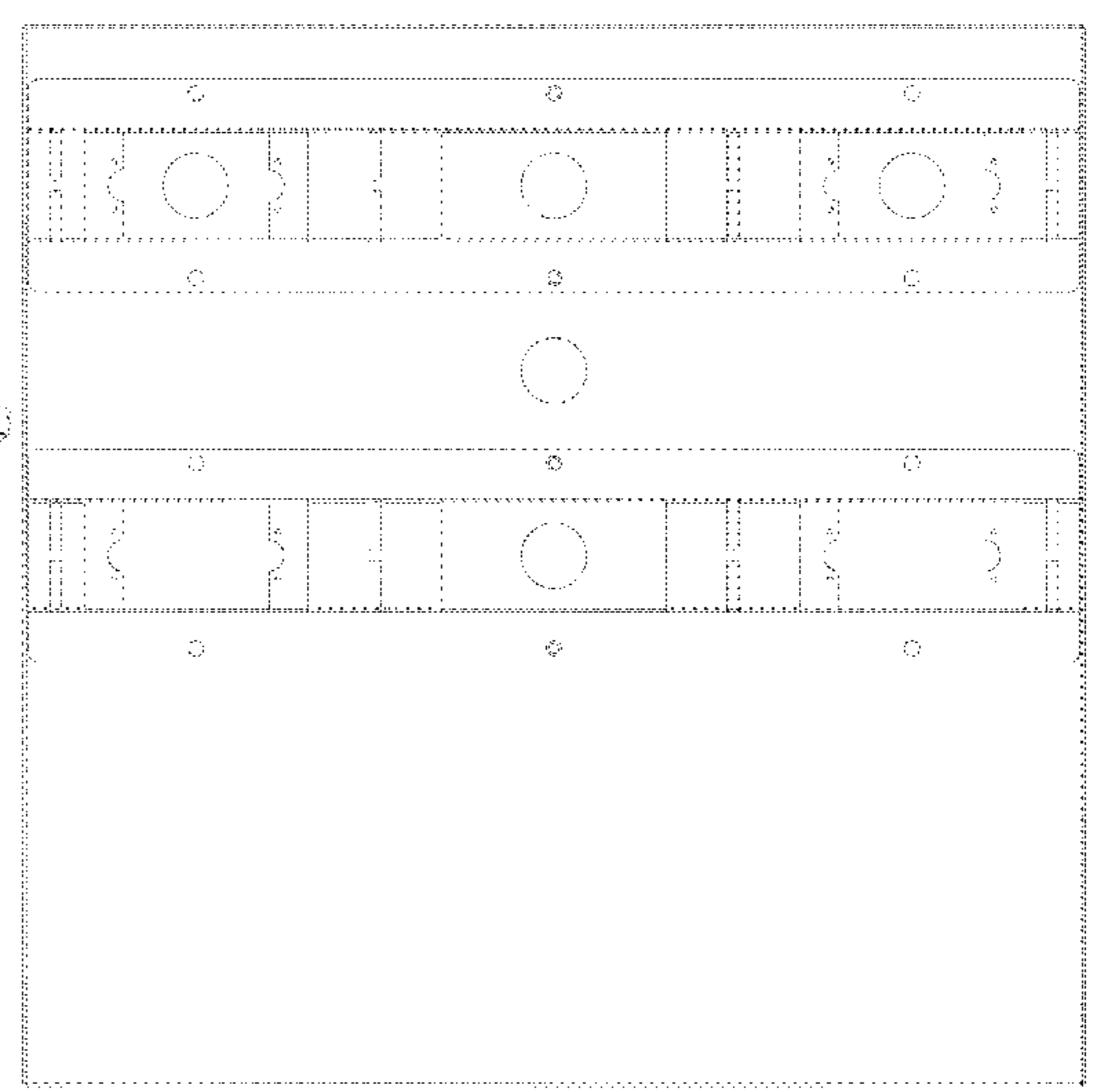
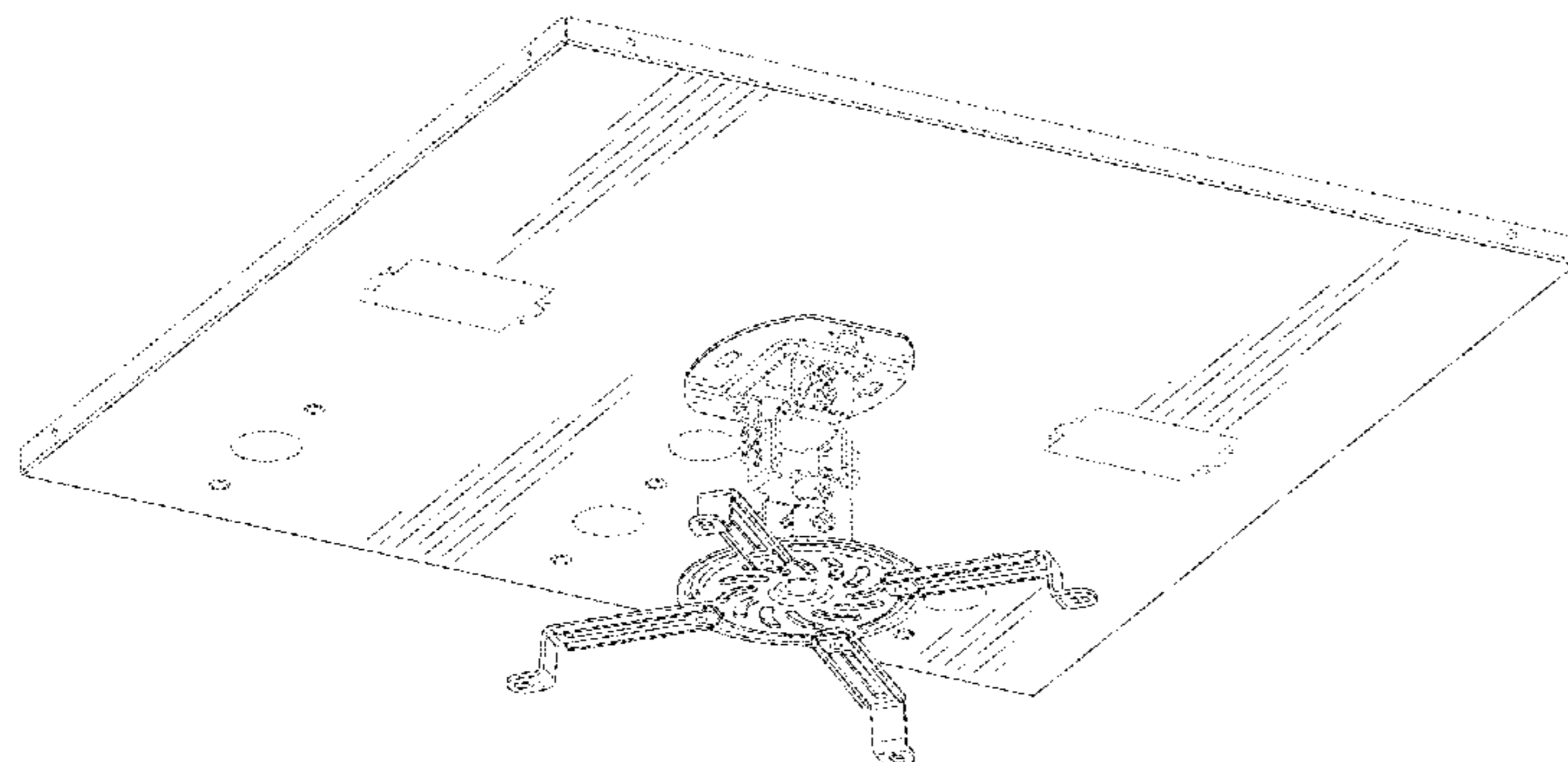
FIG. 5 is a right-side view thereof;

FIG. 6 is a top view thereof; and,

FIG. 7 is a bottom view thereof.

The broken lines in the drawings are included to show  
environment that forms no part of the claimed design.

**1 Claim, 5 Drawing Sheets**



(56)

References Cited

U.S. PATENT DOCUMENTS

|              |    |   |         |            |       |                         |
|--------------|----|---|---------|------------|-------|-------------------------|
| D691,190     | S  | * | 10/2013 | Unno       | ..... | D16/235                 |
| D767,577     | S  | * | 9/2016  | Kulkarni   | ..... | D14/452                 |
| D815,458     | S  | * | 4/2018  | Mann       | ..... | D6/545                  |
| D822,666     | S  | * | 7/2018  | Cai        | ..... | D14/451                 |
| D851,196     | S  | * | 6/2019  | Chester    | ..... | D22/108                 |
| D878,382     | S  | * | 3/2020  | Pei        | ..... | D14/452                 |
| D909,395     | S  | * | 2/2021  | Knapp      | ..... | D14/452                 |
| 10,927,997   | B2 | * | 2/2021  | Kang       | ..... | F16M 11/10              |
| D912,027     | S  | * | 3/2021  | Lyu        | ..... | D14/239                 |
| D915,318     | S  | * | 4/2021  | Boylan     | ..... | D14/129                 |
| D918,217     | S  | * | 5/2021  | Lyu        | ..... | D14/452                 |
| D918,880     | S  | * | 5/2021  | Shu        | ..... | D14/239                 |
| D920,082     | S  | * | 5/2021  | Kellerman  | ..... | D8/354                  |
| D926,256     | S  | * | 7/2021  | Hwang      | ..... | D20/42                  |
| D930,006     | S  | * | 9/2021  | Pei        | ..... | D14/452                 |
| D935,873     | S  | * | 11/2021 | Chen       | ..... | D8/363                  |
| D937,070     | S  | * | 11/2021 | Pavlov     | ..... | D8/354                  |
| D944,235     | S  | * | 2/2022  | Shu        | ..... | D14/239                 |
| 2006/0186301 | A1 | * | 8/2006  | Dozier     | ..... | F16M 11/24<br>248/371   |
| 2015/0277214 | A1 | * | 10/2015 | Schuh      | ..... | F16M 11/24<br>248/279.1 |
| 2016/0296006 | A1 | * | 10/2016 | Bonuccelli | ..... | A47B 9/20               |

OTHER PUBLICATIONS

AMRDCP100KIT Ceiling Mount, Amer, amazon.com, published by Amer on Apr. 30, 2012© 1996-2020 Amazon.com, Inc., online,

site visited Mar. 22, 2021. Available from Internet, URL: [https://www.amazon.com/Universal-Projector-Drop-in-Ceiling-Mount/dp/B007Z4R7EQ/ref=sr\\_1\\_1\\_sspa?dchild=1&keywords=Ceiling+Projector+Mount+Tile&qid=1616420709&sr=8-1-spons&psc=1&smid=A3NU2VKGXXME61&spLa=ZW5jcnlwdGVkUXVhbGlmaWVyPUFZQUhRVEJEVFPKUFkmZW5jcnlwdGVkSWQ9QTA5OTgyNmMxREpJOTdPNjZyMIQzJmVuY3J5cHRIZEFkSWQ9QTA3NzI5NTAxSTAwVO0Y0SIBNSE5WJndpZGdldE5hbWU9c3BfYXRmJmFjdGlvbj1jbGlja1JZGIyZWNOJmRvTm90TG9nQ2xpY2s9dHJlZQ](https://www.amazon.com/Universal-Projector-Drop-in-Ceiling-Mount/dp/B007Z4R7EQ/ref=sr_1_1_sspa?dchild=1&keywords=Ceiling+Projector+Mount+Tile&qid=1616420709&sr=8-1-spons&psc=1&smid=A3NU2VKGXXME61&spLa=ZW5jcnlwdGVkUXVhbGlmaWVyPUFZQUhRVEJEVFPKUFkmZW5jcnlwdGVkSWQ9QTA5OTgyNmMxREpJOTdPNjZyMIQzJmVuY3J5cHRIZEFkSWQ9QTA3NzI5NTAxSTAwVO0Y0SIBNSE5WJndpZGdldE5hbWU9c3BfYXRmJmFjdGlvbj1jbGlja1JZGIyZWNOJmRvTm90TG9nQ2xpY2s9dHJlZQ) (Year: 2012).\*

PRGS Projector Mount Kit, Peerless-AV, peerless-av.com, author unlisted, published in 2020, © 2020 Peerless Industries, Inc., online, site visited Sep. 26, 2021. Available from Internet, URL: <https://docs.peerless-av.com/SELL%20SHEET-LIT1160-1-1.1-1.PDF> (Year: 2020).\*

QualGear, “QualGear Pro-AV QG-KIT-S-3IN-W Projector Mount Kit Accessory Suspended Ceiling Adapter, 3" 1.5", White,” Amazon, downloaded from the Internet at <https://www.amazon.com/QualGear-QG-KIT-S-3IN-W-Projector-Accessory-Suspended/dp/B01B1JFR0Q/> (May 14, 2019).

Amer, “Universal Projector Drop-in Ceiling Mount,” Amazon, downloaded from the Internet at <https://www.amazon.com/Universal-Projector-Drop-in-Ceiling-Mount/dp/B007Z4R7EQ/> (May 14, 2019).

VIVO, “VIVO Universal Adjustable White Ceiling Projector/Projection Mount Extending Arms Mounting Bracket (MOUNT-VP01W),” Amazon, downloaded from Internet at <https://www.amazon.com/VIVO-Universal-Adjustable-Projection-MOUNT-VP01W/dp/B01013QA86/> (May 14, 2019).

\* cited by examiner

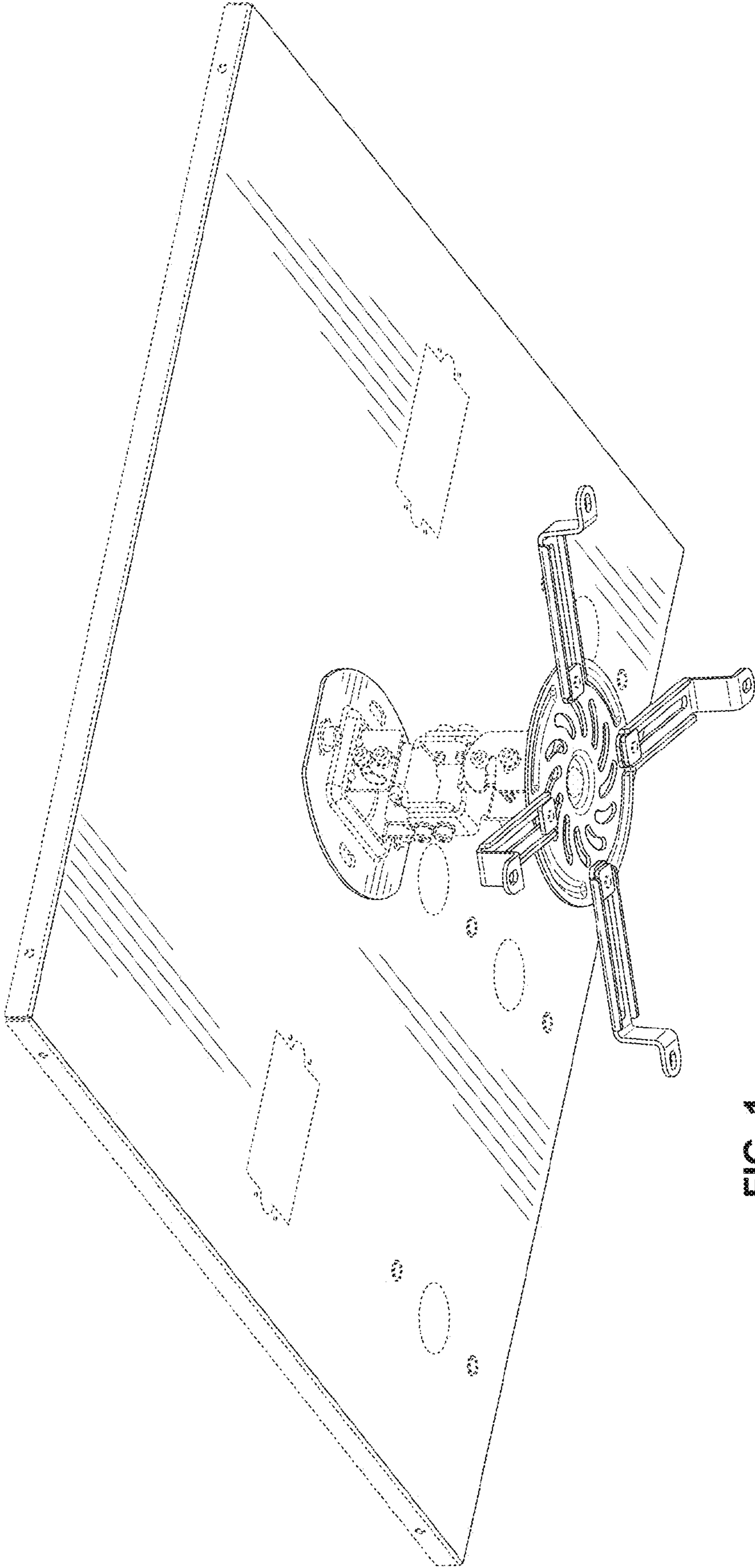


FIG. 1

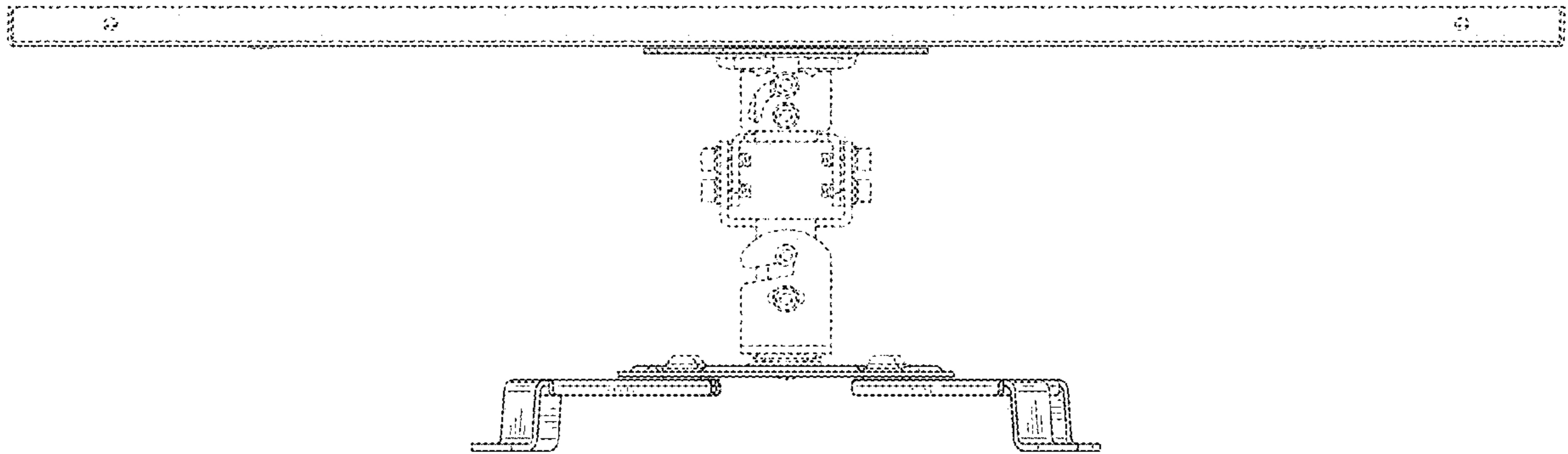


FIG. 2

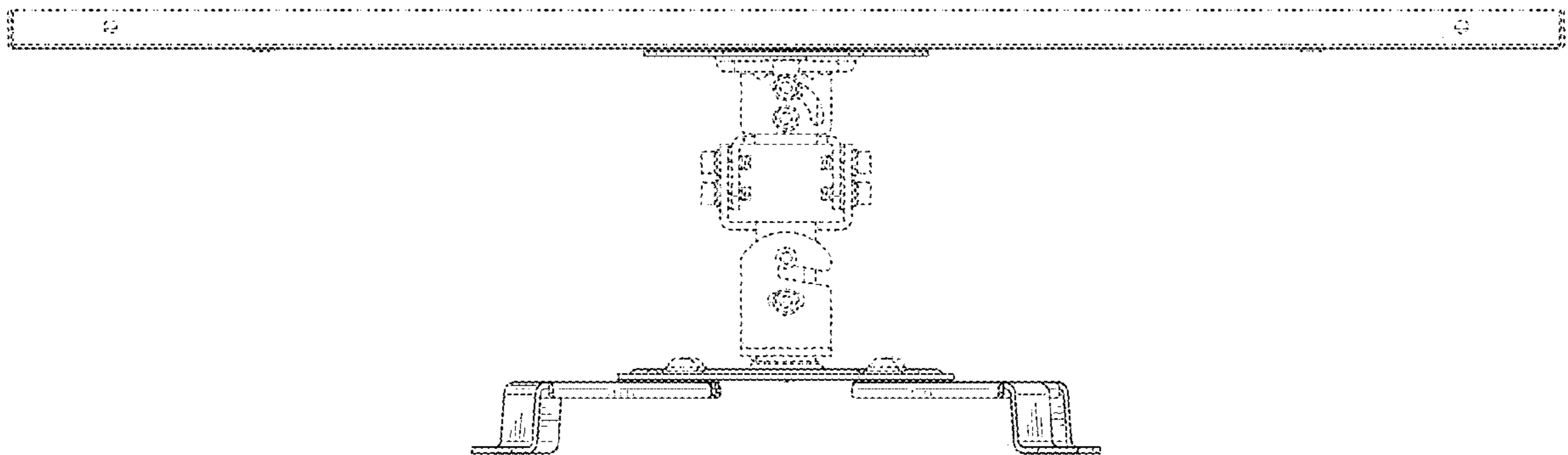


FIG. 3

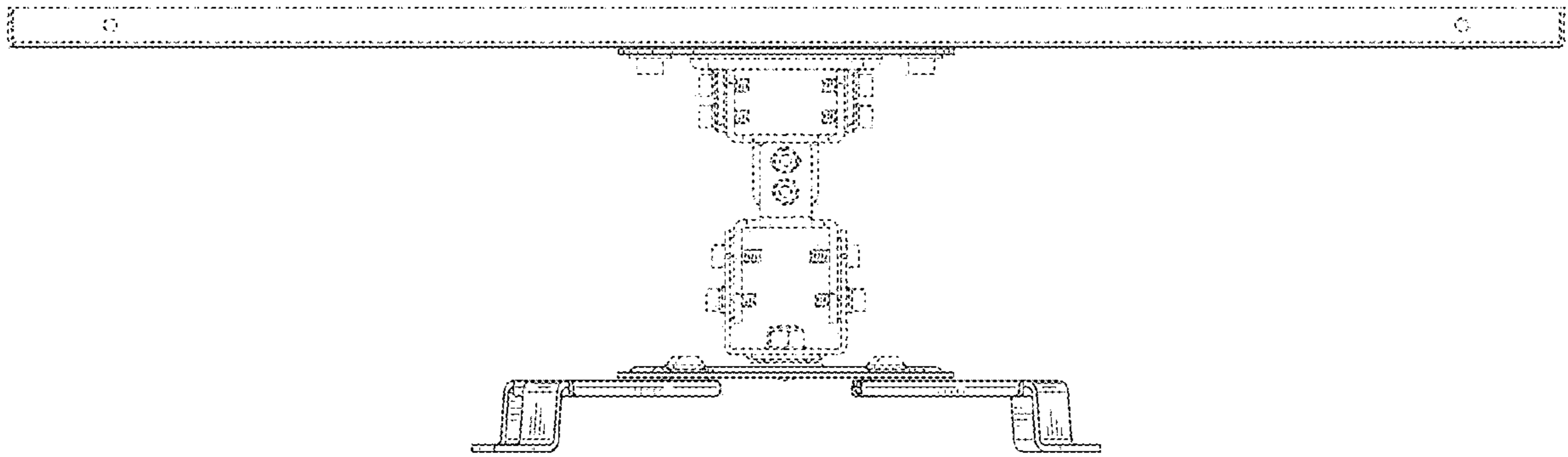


FIG. 4

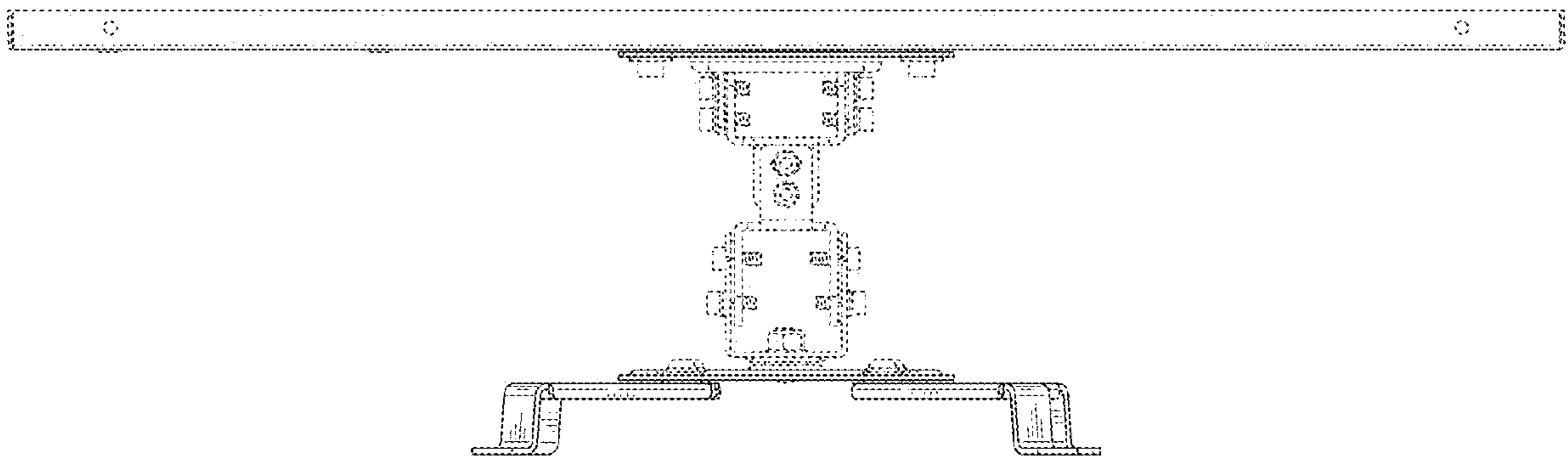


FIG. 5

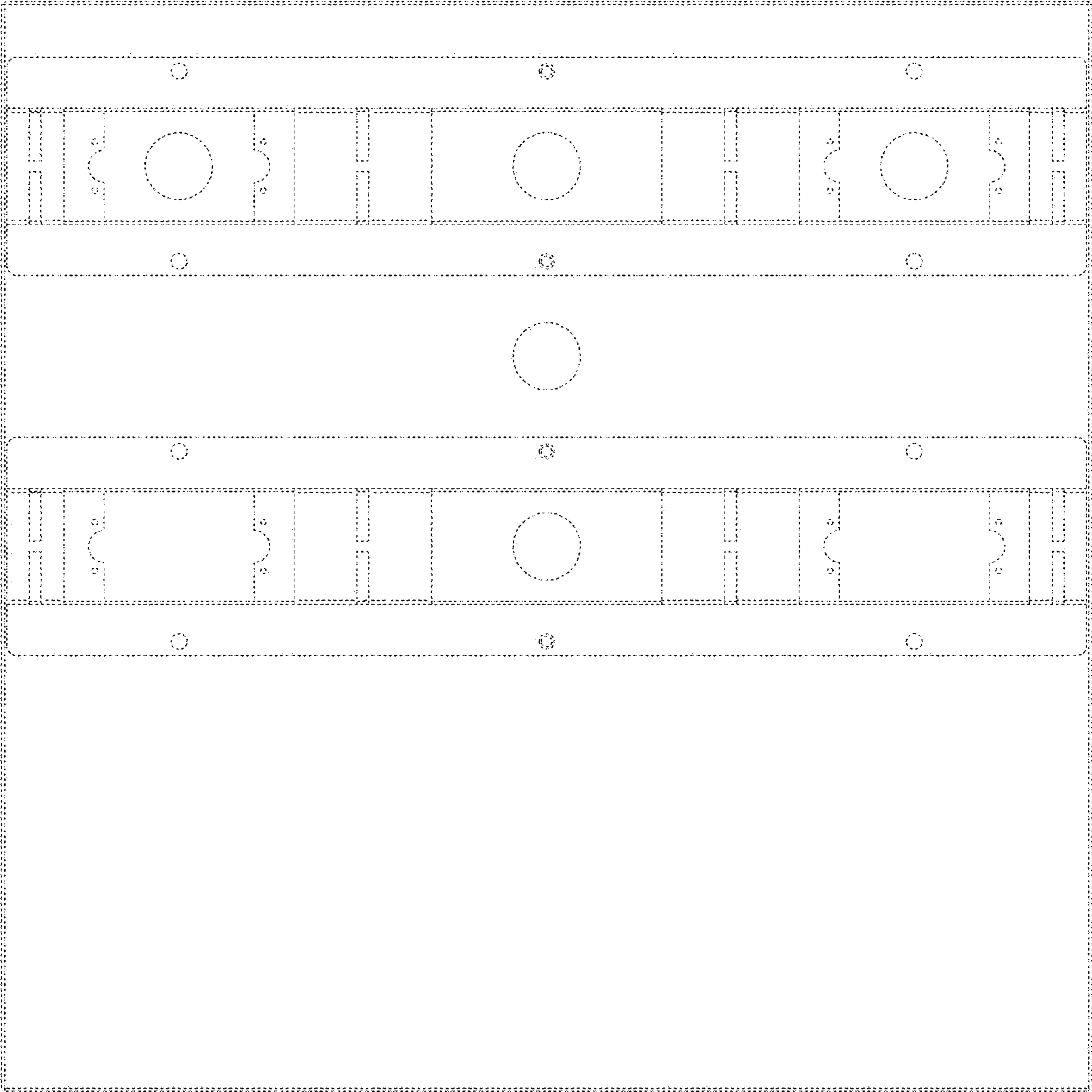


FIG. 6

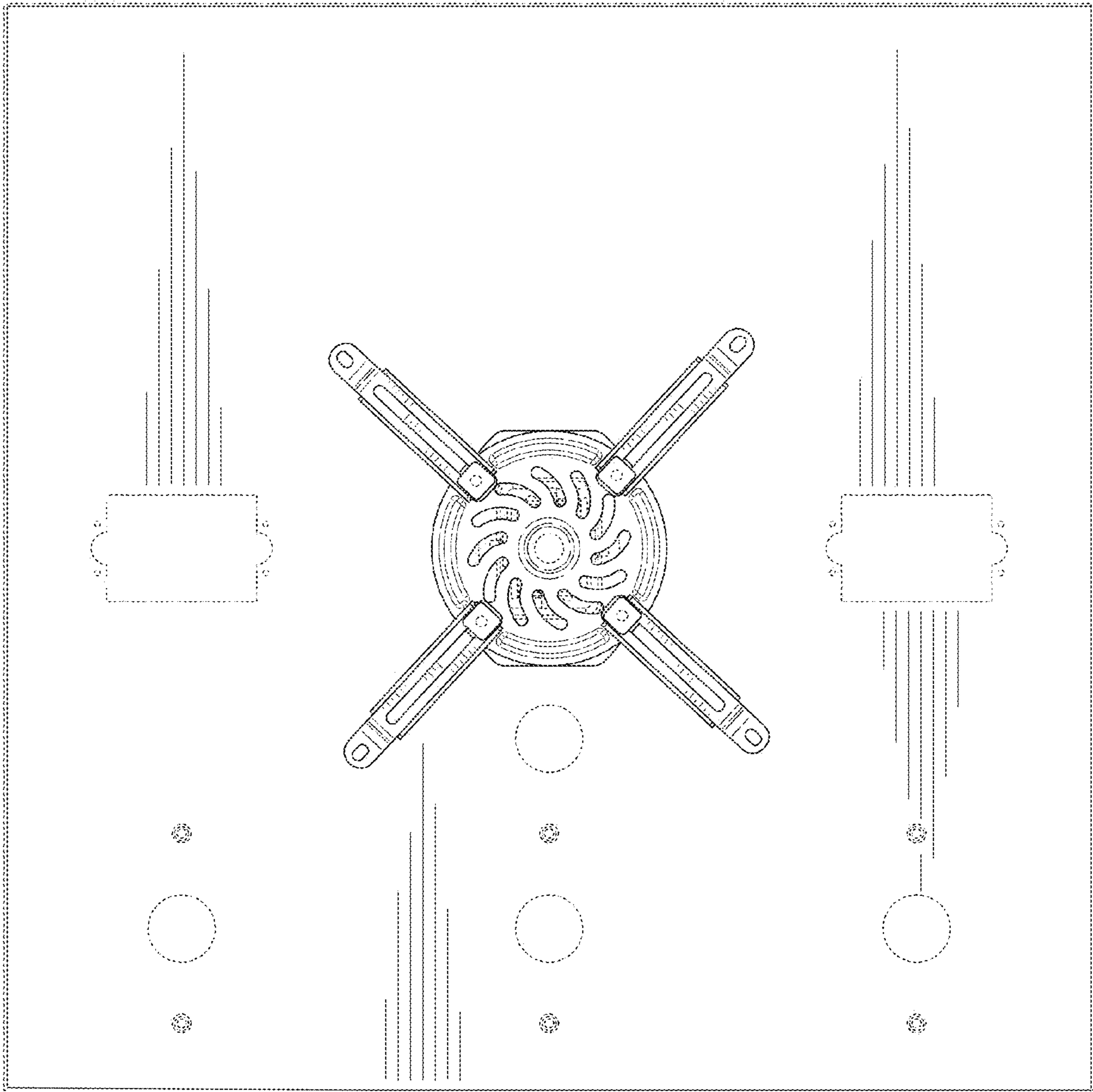


FIG. 7