



US00D963651S

(12) **United States Design Patent**  
**Qin**

(10) **Patent No.:** **US D963,651 S**

(45) **Date of Patent:** **\*\* Sep. 13, 2022**

(54) **GAMEPAD**

(71) Applicant: **DONGGUAN JINYIGE INDUSTRIAL CO., LTD.**, Dongguan (CN)

(72) Inventor: **Fei Qin**, Shenzhen (CN)

(73) Assignee: **DONGGUAN JINYIGE INDUSTRIAL CO., LTD.**, Dongguan (CN)

(\*\*) Term: **15 Years**

(21) Appl. No.: **29/802,803**

(22) Filed: **Aug. 9, 2021**

(51) **LOC (13) Cl.** ..... **14-02**

(52) **U.S. Cl.**  
USPC ..... **D14/401**

(58) **Field of Classification Search**  
USPC ... D14/125-126, 127-137, 138, 138 G, 168, D14/217-218, 248, 315-318, 322, 326, D14/334-336, 339, 340-347, 356, D14/387-389, 399-401, 405-410, D14/412-416, 421-430, 443, 449-450, D14/454, 474, 483, 496; D21/324-329, D21/330, 332, 333, 566; D6/300, 310, D6/314, 320, 332, 553, 657; D10/50, 65, D10/104.1; D18/6-7; D19/26, 59-60  
CPC .... A63F 9/00; A63F 9/24; A63F 11/00; A63F 13/02; A63F 13/06; A63F 13/24; A63F 13/98; H04M 1/0202; H04M 1/0266; H04M 1/725

See application file for complete search history.

(56) **References Cited**

**U.S. PATENT DOCUMENTS**

D522,011 S \* 5/2006 Hayes ..... D14/401  
D522,012 S \* 5/2006 Hayes ..... D14/454  
D547,763 S \* 7/2007 Hayes ..... D14/401  
D581,422 S \* 11/2008 Hayes ..... D14/401

D658,178 S \* 4/2012 Ikeda ..... D14/401  
D709,498 S \* 7/2014 Morris ..... D14/401  
D768,786 S \* 10/2016 Seflic ..... D14/401  
D794,717 S \* 8/2017 Kujawski ..... D14/401  
D823,945 S \* 7/2018 Falc ..... D14/416

(Continued)

**FOREIGN PATENT DOCUMENTS**

CN 306965972 \* 11/2021  
CN 306973576 \* 11/2021

(Continued)

**OTHER PUBLICATIONS**

Wired Controller for Xbox One, date first available: Oct. 20, 2020, [retrieved May 17, 2022], Retrieved from Internet, URL: <https://www.amazon.com/dp/B08LG7Q979/ref=sspa\_dk\_detail\_5?psc=1&pf\_rd\_p=b9951ce4-3bd8-4b04-9123-0fda3506155e&pd\_rd\_wg=2W0Mi&pf\_r%E2%80%A6> (Year: 2020).\*

(Continued)

*Primary Examiner* — Messina L Smith

*Assistant Examiner* — Aram Kwon

(57) **CLAIM**

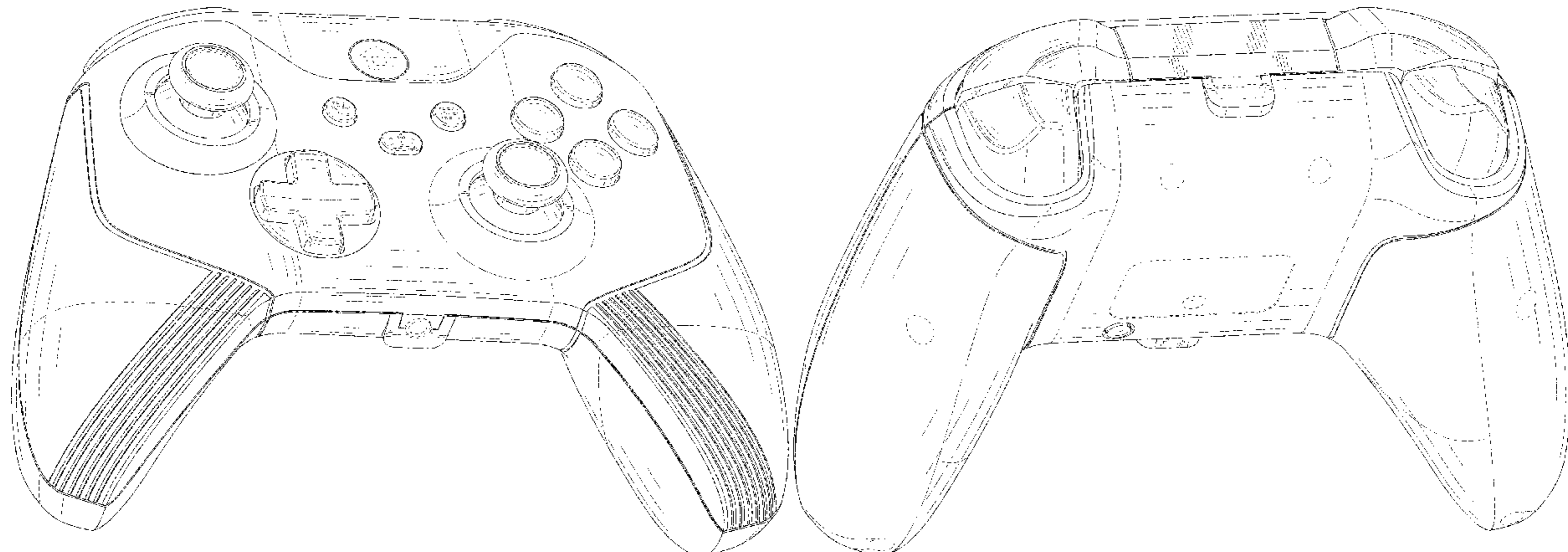
The ornamental design for a gamepad, as shown and described.

**DESCRIPTION**

FIG. 1 is a perspective view of a gamepad showing my new design;  
FIG. 2 is another perspective view thereof;  
FIG. 3 is a front elevational view thereof;  
FIG. 4 is a rear elevational view thereof;  
FIG. 5 is a left side elevational view thereof;  
FIG. 6 is a right side elevational view thereof;  
FIG. 7 is a top plan view thereof; and,  
FIG. 8 is a bottom plan view thereof.

The broken lines in the drawings depict portions of the gamepad that form no part of the claimed design.

**1 Claim, 8 Drawing Sheets**



(56)

References Cited

U.S. PATENT DOCUMENTS

D831,648 S \* 10/2018 Tong ..... D14/401  
 D854,619 S \* 7/2019 Konishi ..... D14/401  
 D867,460 S \* 11/2019 Yan ..... D21/333  
 D875,180 S \* 2/2020 Wang .....  
 D881,282 S \* 4/2020 Ironmonger ..... D14/401  
 D881,283 S \* 4/2020 Ironmonger ..... D14/401  
 D889,549 S \* 7/2020 Ironmonger ..... D14/401  
 D889,550 S \* 7/2020 Ironmonger ..... D14/401  
 D894,281 S \* 8/2020 Wang ..... D21/333  
 D905,168 S \* 12/2020 Chatterjee ..... D21/333  
 D906,430 S \* 12/2020 Feng ..... D21/333  
 D907,119 S \* 1/2021 Zhou ..... D21/333  
 D907,706 S \* 1/2021 Yang ..... D21/333  
 D912,734 S \* 3/2021 Yang ..... D21/333  
 D921,116 S \* 6/2021 Zhou ..... D21/333  
 D923,097 S \* 6/2021 Zhao ..... D21/333  
 D923,098 S \* 6/2021 Zhao ..... D21/333  
 D923,100 S \* 6/2021 Zhou ..... D21/333  
 D926,887 S \* 8/2021 Yang ..... D21/333  
 D928,235 S \* 8/2021 Paterson ..... D21/333  
 D928,880 S \* 8/2021 Yu ..... D21/333  
 D935,460 S \* 11/2021 Zhu ..... D14/401  
 D936,146 S \* 11/2021 Hsu ..... D21/333  
 D940,244 S \* 1/2022 Zhou ..... D21/333

D947,946 S \* 4/2022 Luo ..... D21/333  
 D947,948 S \* 4/2022 Ma ..... D21/333  
 D951,354 S \* 5/2022 Feng ..... D21/333  
 2016/0001176 A1\* 1/2016 Chen ..... A63F 13/24  
 463/37

FOREIGN PATENT DOCUMENTS

EM 008643548-0009 \* 8/2021  
 GB 6152679 \* 8/2021

OTHER PUBLICATIONS

Xbox Core Wireless Controller, date first available: Sep. 22, 2020, [retrieved May 17, 2022], Retrieved from Internet, URL: <[https://www.amazon.com/Xbox-Core-Controller-Carbon-Black-one/dp/B08DF248LD?ref\\_ast\\_sto\\_dp](https://www.amazon.com/Xbox-Core-Controller-Carbon-Black-one/dp/B08DF248LD?ref_ast_sto_dp)> (Year: 2020).\*

Xbox Wireless Gamepad, date not available, [retrieved May 17, 2022], Retrieved from Internet, URL: <[https://www.mijoygaming.com/list\\_17/98.html](https://www.mijoygaming.com/list_17/98.html)> (Year: 2022).\*

How To Connect Xbox Controller To iPhone, Dec. 30, 2020, [retrieved May 17, 2022], Retrieved from Internet, URL: <<https://www.youtube.com/watch?v=rNS6cyNuL2Y&t=2s>> (Year: 2020).\*

\* cited by examiner

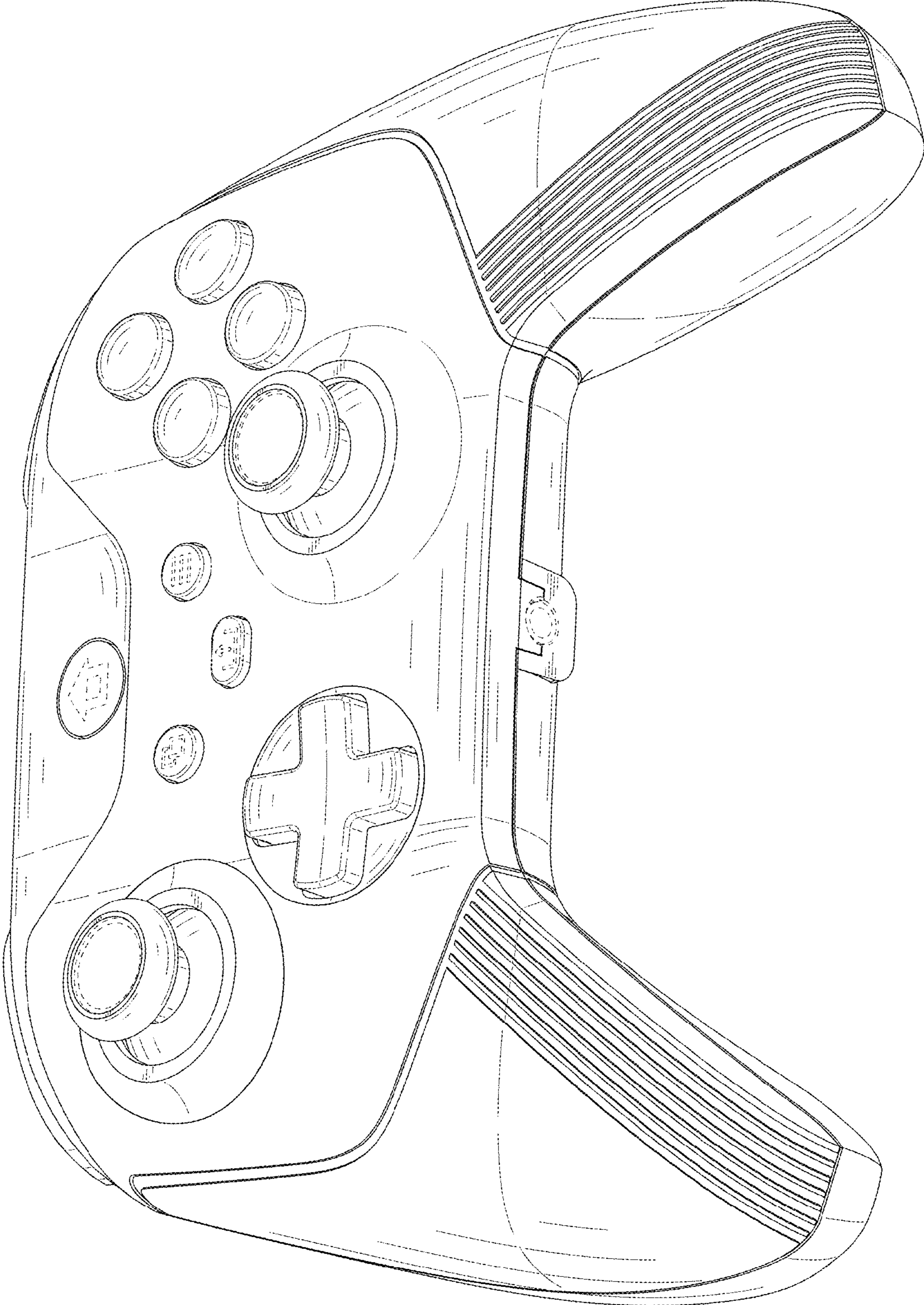


FIG. 1

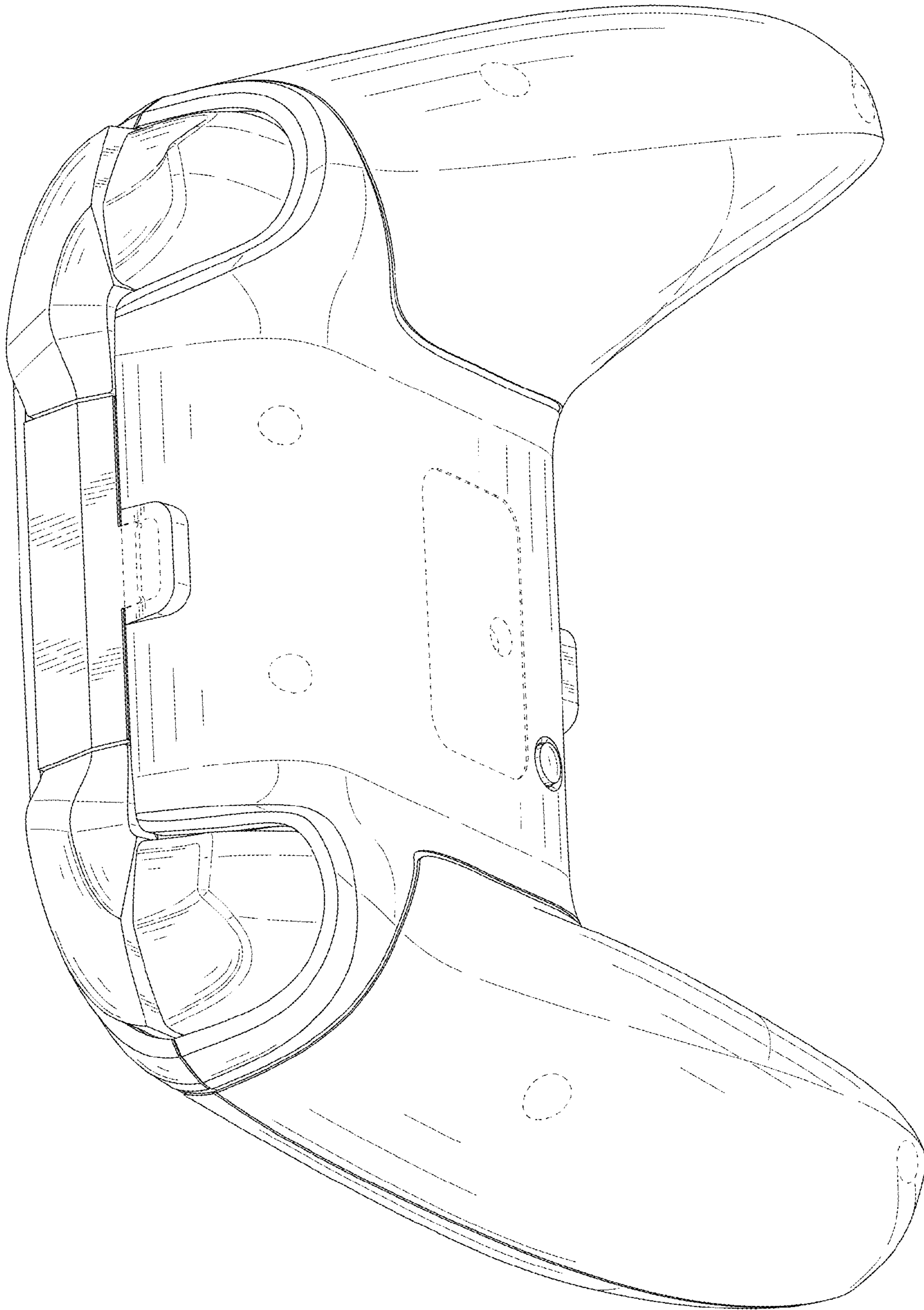


FIG. 2

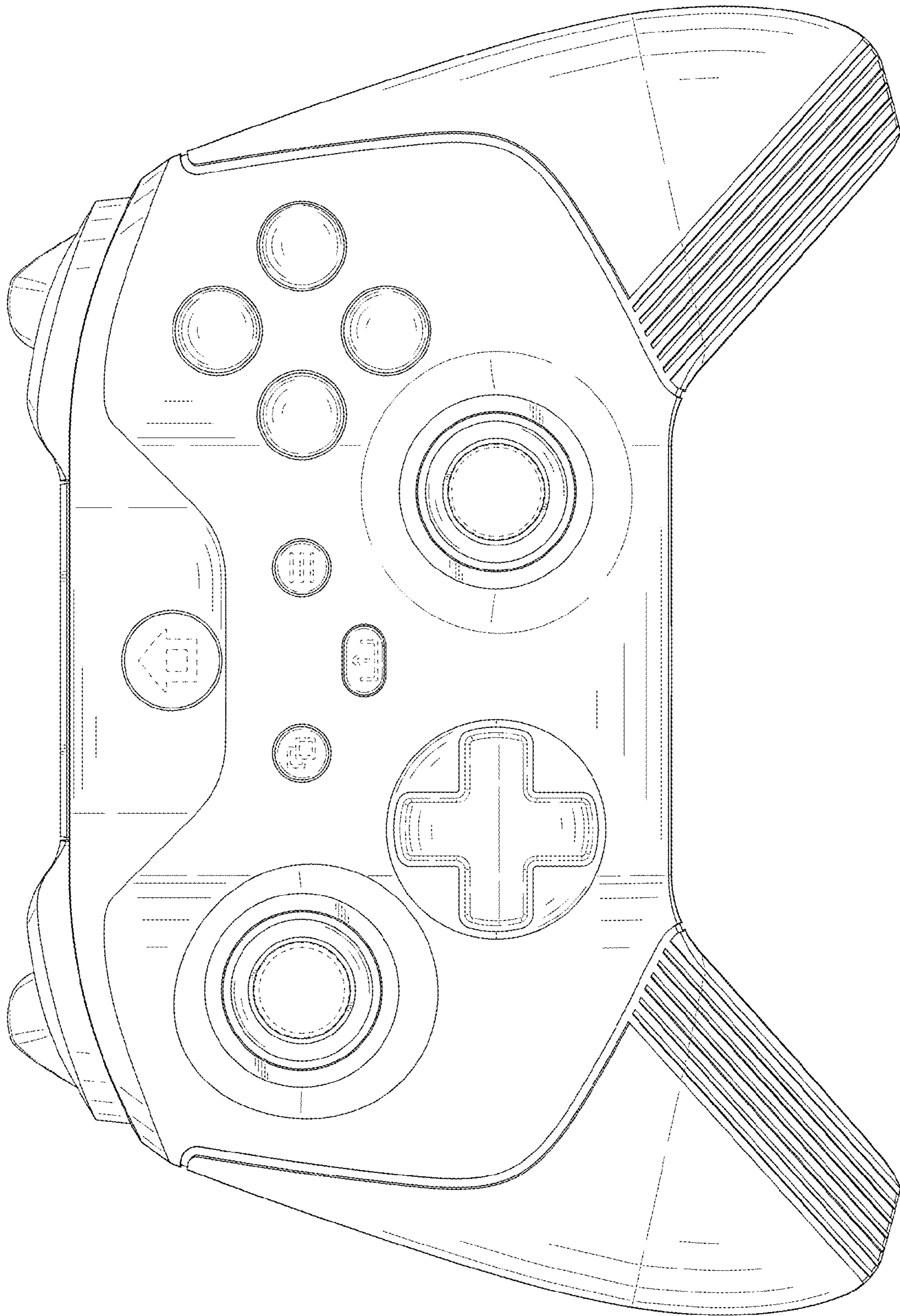


FIG. 3

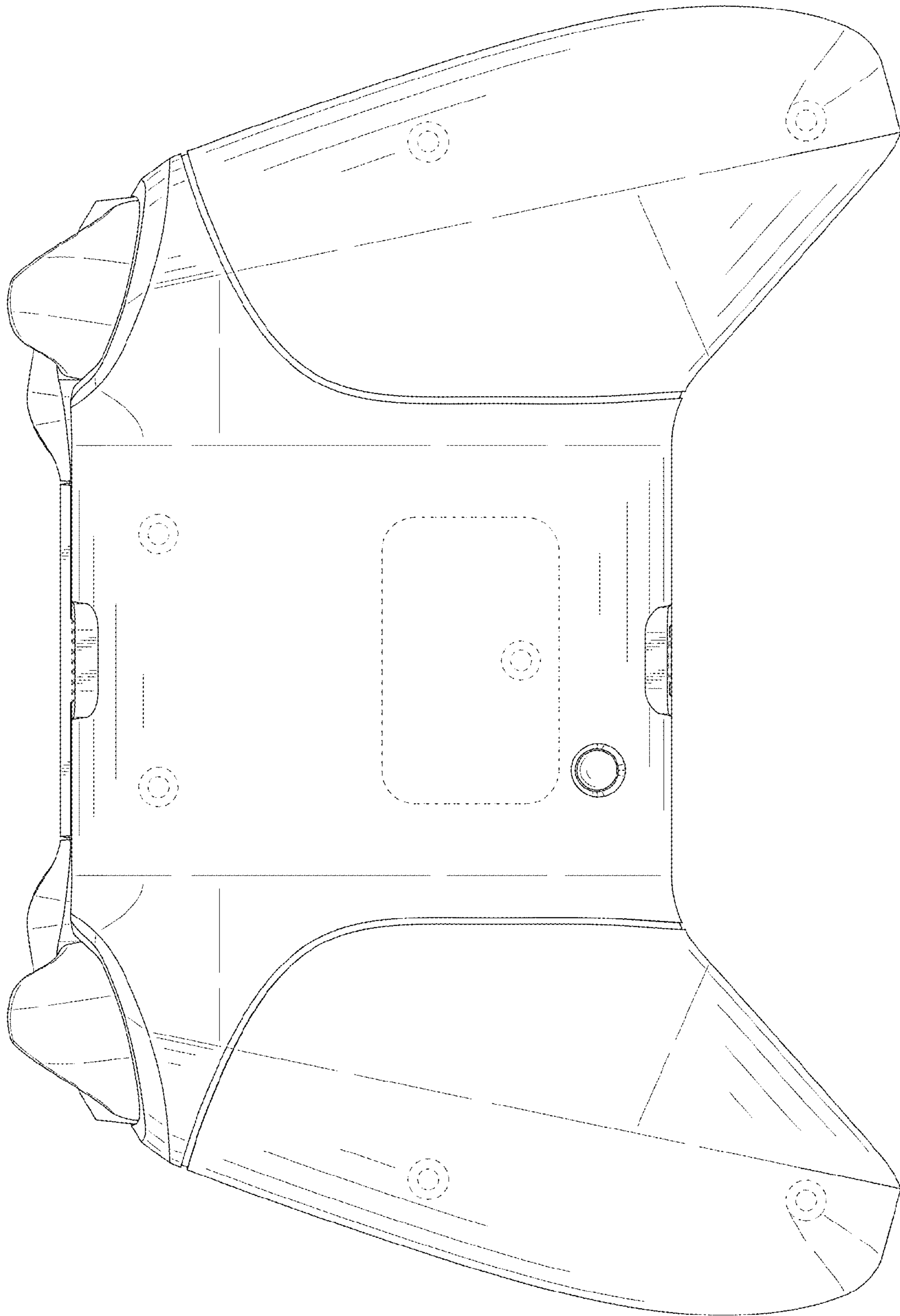


FIG. 4

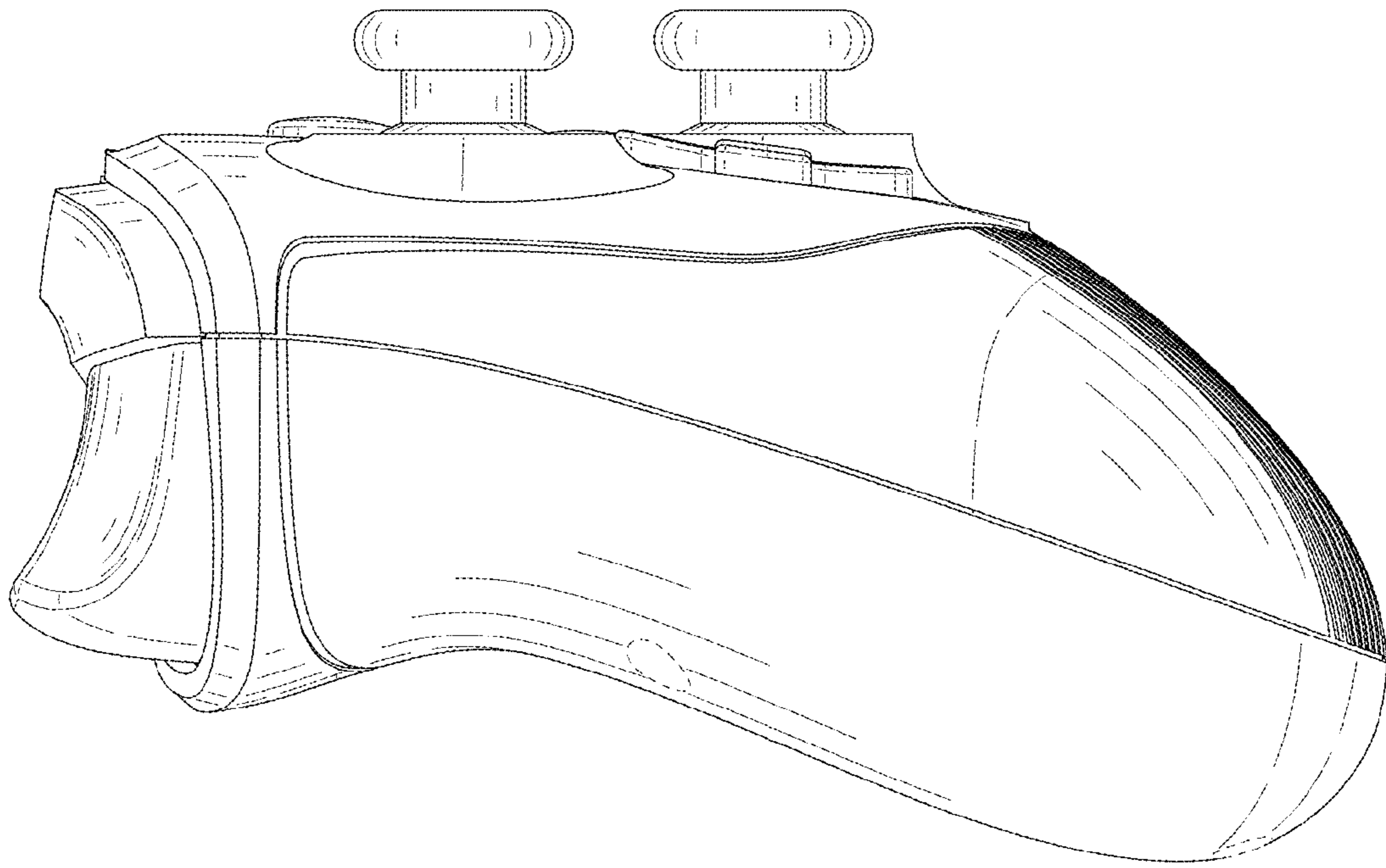


FIG. 5

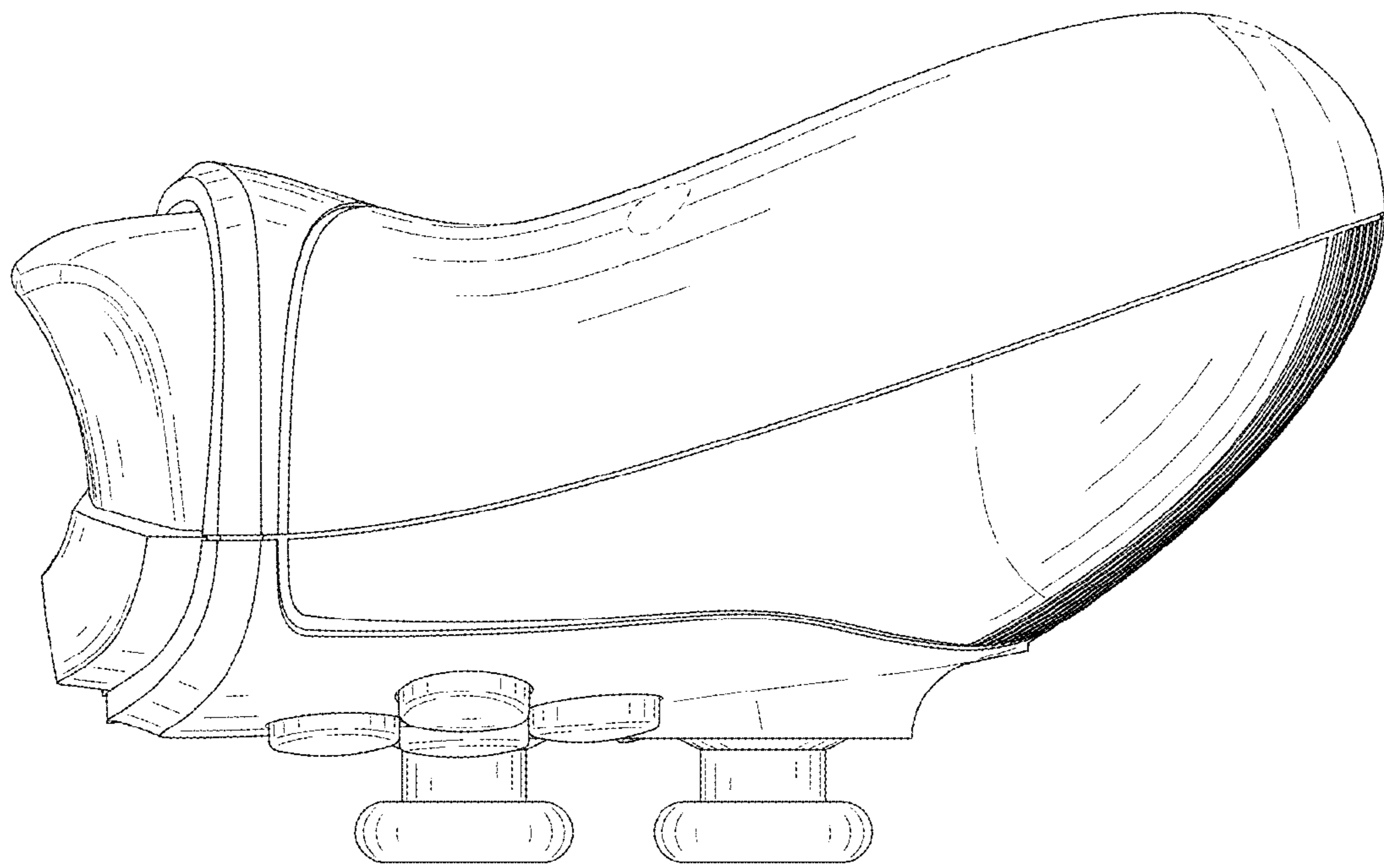


FIG. 6



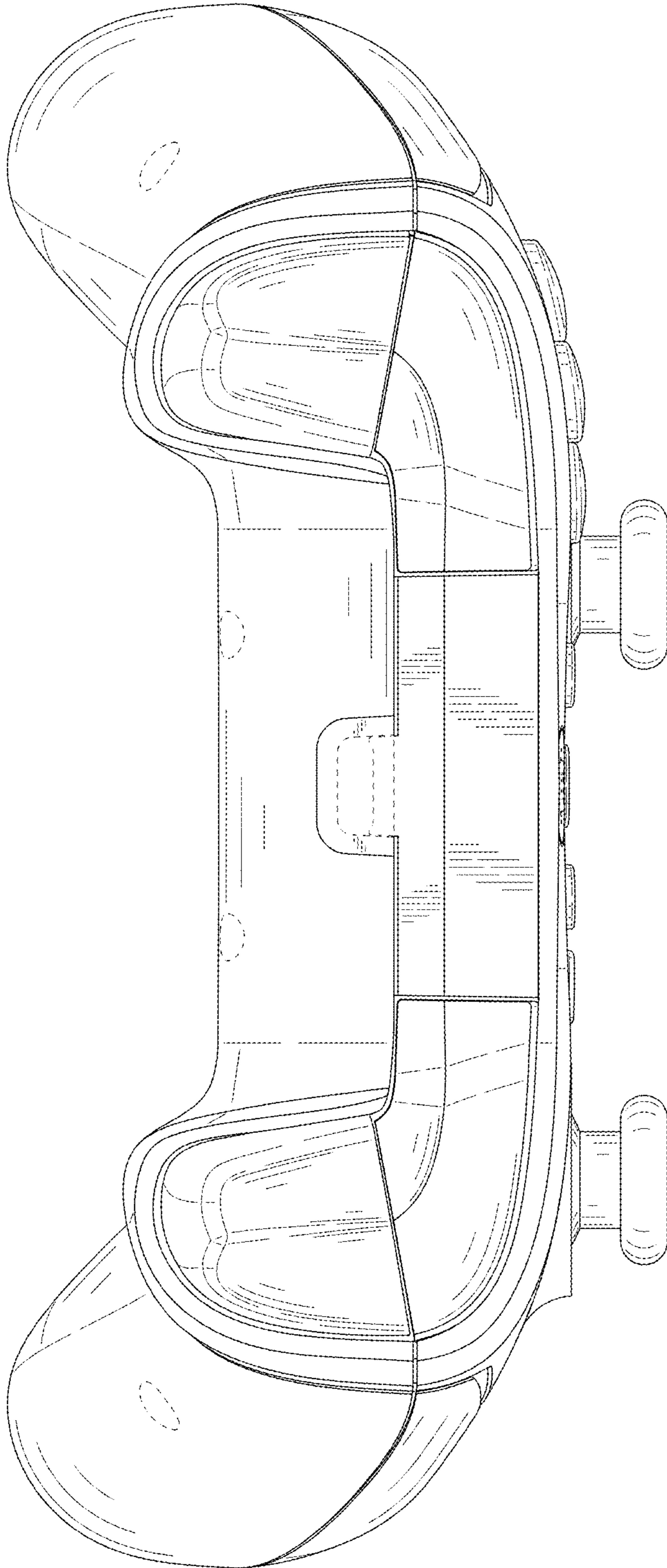


FIG. 7

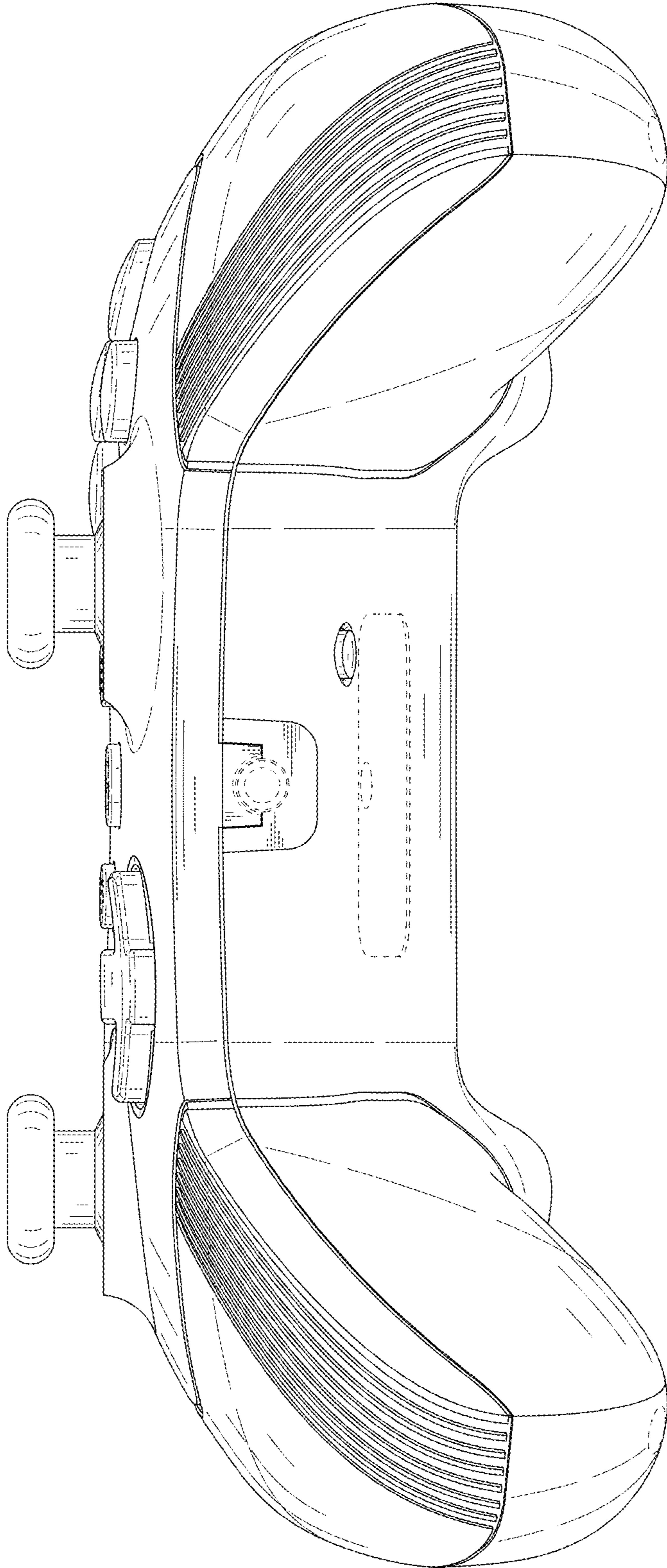


FIG. 8