



US00D963650S

(12) **United States Design Patent** (10) **Patent No.:** **US D963,650 S**  
**Qin** (45) **Date of Patent:** **\*\* Sep. 13, 2022**

(54) **GAMEPAD**

(71) Applicant: **DONGGUAN JINYIGE INDUSTRIAL CO., LTD.**, Dongguan (CN)

(72) Inventor: **Fei Qin**, Shenzhen (CN)

(73) Assignee: **DONGGUAN JINYIGE INDUSTRIAL CO., LTD.**, Dongguan (CN)

(\*\*) Term: **15 Years**

(21) Appl. No.: **29/802,799**

(22) Filed: **Aug. 9, 2021**

(51) **LOC (13) Cl.** ..... **14-02**

(52) **U.S. Cl.**  
USPC ..... **D14/401**

(58) **Field of Classification Search**  
USPC ... D14/125-126, 127-137, 138, 138 G, 168, D14/217-218, 248, 315-318, 322, 326, D14/334-336, 339, 340-347, 356, D14/387-389, 399-401, 405-410, D14/412-416, 421-430, 443, 449-450, D14/454, 474, 483, 496; D21/324-329, D21/330, 332, 333, 566; D6/300, 310, D6/314, 320, 332, 553, 657; D10/50, 65, D10/104.1; D18/6-7; D19/26, 59-60  
CPC .... A63F 9/00; A63F 9/24; A63F 11/00; A63F 13/02; A63F 13/06; A63F 13/24; A63F 13/98; H04M 1/0202; H04M 1/0266; H04M 1/725

See application file for complete search history.

(56) **References Cited**

**U.S. PATENT DOCUMENTS**

D522,011 S \* 5/2006 Hayes ..... D14/401  
D522,012 S \* 5/2006 Hayes ..... D14/454  
D547,763 S \* 7/2007 Hayes ..... D14/401  
D581,422 S \* 11/2008 Hayes ..... D14/401

D658,178 S \* 4/2012 Ikeda ..... D14/401  
D709,498 S \* 7/2014 Morris ..... D14/401  
D768,786 S \* 10/2016 Seflic ..... D14/401  
D794,717 S \* 8/2017 Kujawski ..... D14/401  
D823,945 S \* 7/2018 Falc ..... D14/416  
D831,648 S \* 10/2018 Tong ..... D14/401

(Continued)

**FOREIGN PATENT DOCUMENTS**

CN 306613521 \* 6/2021  
EM 008643548-0008 \* 8/2021  
GB 6152678 \* 8/2021

**OTHER PUBLICATIONS**

HexGaming Ultimate Controller, date first available: Mar. 30, 2022, [retrieved May 17, 2022], Retrieved from Internet, URL: <[https://www.amazon.com/dp/B09WV7J943/ref=redir\\_mobile\\_desktop?\\_encoding=UTF8&axitk=2e4b0c87c30f9f60779debb3877a582c&hsa\\_cr\\_id=14%E2%80%A6&th=1](https://www.amazon.com/dp/B09WV7J943/ref=redir_mobile_desktop?_encoding=UTF8&axitk=2e4b0c87c30f9f60779debb3877a582c&hsa_cr_id=14%E2%80%A6&th=1)> (Year: 2022).\*

(Continued)

*Primary Examiner* — Messina L Smith

*Assistant Examiner* — Aram Kwon

(57) **CLAIM**

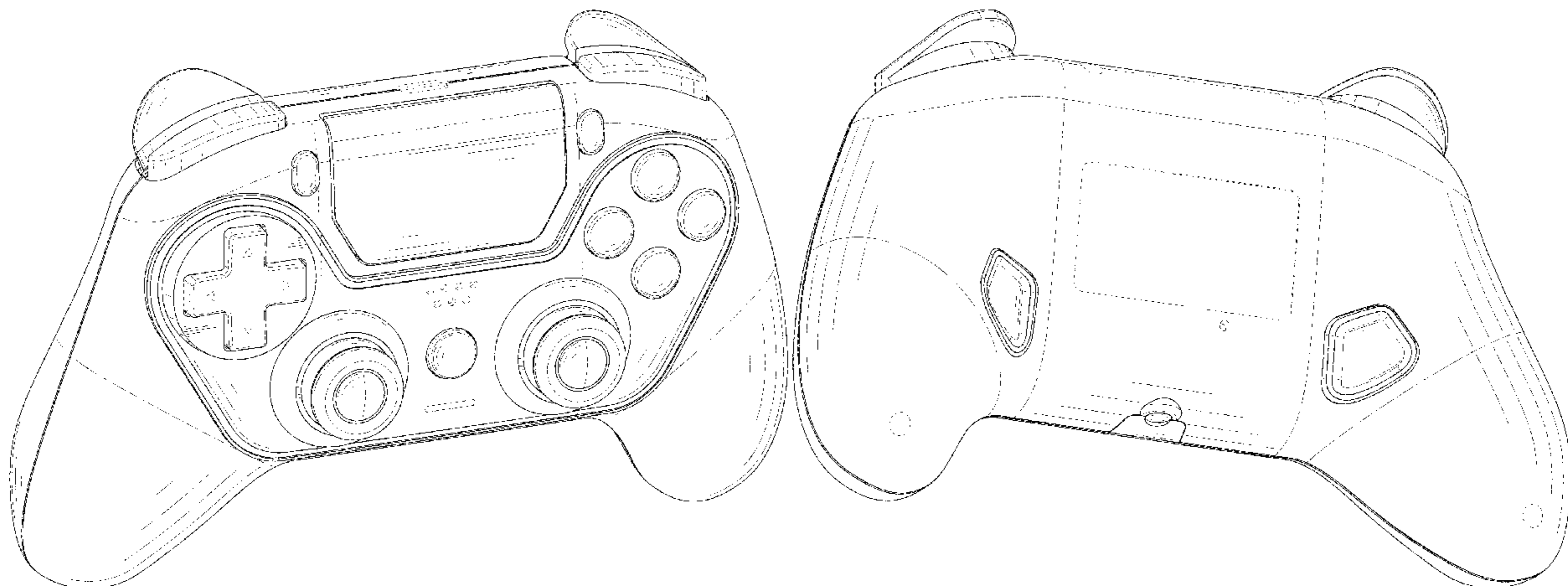
The ornamental design for a gamepad, as shown and described.

**DESCRIPTION**

FIG. 1 is a perspective view of a gamepad showing my new design;  
FIG. 2 is another perspective view thereof;  
FIG. 3 is a front elevational view thereof;  
FIG. 4 is a rear elevational view thereof;  
FIG. 5 is a left side elevational view thereof;  
FIG. 6 is a right side elevational view thereof;  
FIG. 7 is a top plan view thereof; and,  
FIG. 8 is a bottom plan view thereof.

The broken lines in the drawings depict portions of the gamepad that form no part of the claimed design.

**1 Claim, 8 Drawing Sheets**



(56)

References Cited

U.S. PATENT DOCUMENTS

D854,619 S \* 7/2019 Konishi ..... D14/401  
 D865,766 S \* 11/2019 Hu ..... D14/401  
 D867,460 S \* 11/2019 Yan ..... D21/333  
 D875,180 S \* 2/2020 Wang .....  
 D878,475 S \* 3/2020 Jetter ..... D21/333  
 D881,281 S \* 4/2020 Tong ..... D21/333  
 D881,282 S \* 4/2020 Ironmonger ..... D14/401  
 D881,283 S \* 4/2020 Ironmonger ..... D14/401  
 D888,832 S \* 6/2020 Tong ..... D21/333  
 D889,549 S \* 7/2020 Ironmonger ..... D14/401  
 D889,550 S \* 7/2020 Ironmonger ..... D14/401  
 D890,263 S \* 7/2020 Tong ..... D21/333  
 D894,281 S \* 8/2020 Wang ..... D21/333  
 D905,168 S \* 12/2020 Chatterjee ..... D21/333  
 D906,430 S \* 12/2020 Feng ..... D21/333  
 D907,119 S \* 1/2021 Zhou ..... D21/333  
 D907,706 S \* 1/2021 Yang ..... D21/333  
 D912,734 S \* 3/2021 Yang ..... D21/333  
 D921,116 S \* 6/2021 Zhou ..... D21/333  
 D923,097 S \* 6/2021 Zhao ..... D21/333  
 D923,098 S \* 6/2021 Zhao ..... D21/333  
 D923,100 S \* 6/2021 Zhou ..... D21/333  
 D926,887 S \* 8/2021 Yang ..... D21/333  
 D928,235 S \* 8/2021 Paterson ..... D21/333  
 D928,880 S \* 8/2021 Yu ..... D21/333  
 D935,460 S \* 11/2021 Zhu ..... D14/401  
 D936,146 S \* 11/2021 Hsu ..... D21/333

D940,244 S \* 1/2022 Zhou ..... D21/333  
 D947,946 S \* 4/2022 Luo ..... D21/333  
 D947,948 S \* 4/2022 Ma ..... D21/333  
 D951,354 S \* 5/2022 Feng ..... D21/333  
 D954,838 S \* 6/2022 Kobayashi ..... D21/333  
 D956,873 S \* 7/2022 Guo ..... D21/333  
 D958,252 S \* 7/2022 Wang ..... D21/333  
 D958,254 S \* 7/2022 Liu ..... D21/333  
 2008/0311992 A1\* 12/2008 Young ..... A63F 13/24  
 463/37  
 2016/0008711 A1\* 1/2016 Hackney ..... A63F 13/24  
 463/36  
 2018/0207523 A1\* 7/2018 Lyden ..... A63F 13/214  
 2021/0379488 A1\* 12/2021 Falc ..... A63F 13/24

OTHER PUBLICATIONS

Refurbished C40 TR, review date: Jul. 25, 2021, [retrieved May 17, 2022], Retrieved from Internet, URL: <<https://www.astrogaming.com/en-us/products/refurbished/refurb-c40-tr-gen-1.996-000360.html#tech-specs>> (Year: 2021).\*  
 Aim Controllers, date not available, [retrieved May 17, 2022], Retrieved from Internet, URL: <[https://us.aimcontrollers.com/ps5-configurator/?sscid=51k6\\_h7t4b](https://us.aimcontrollers.com/ps5-configurator/?sscid=51k6_h7t4b)> (Year: 2022).\*  
 Wireless PS5 Gamepad, date not available, [retrieved May 17, 2022], Retrieved from Internet, URL: <<https://www.mijoygaming.com/PS-Controller/97.html>> (Year: 2022).\*

\* cited by examiner





FIG. 1

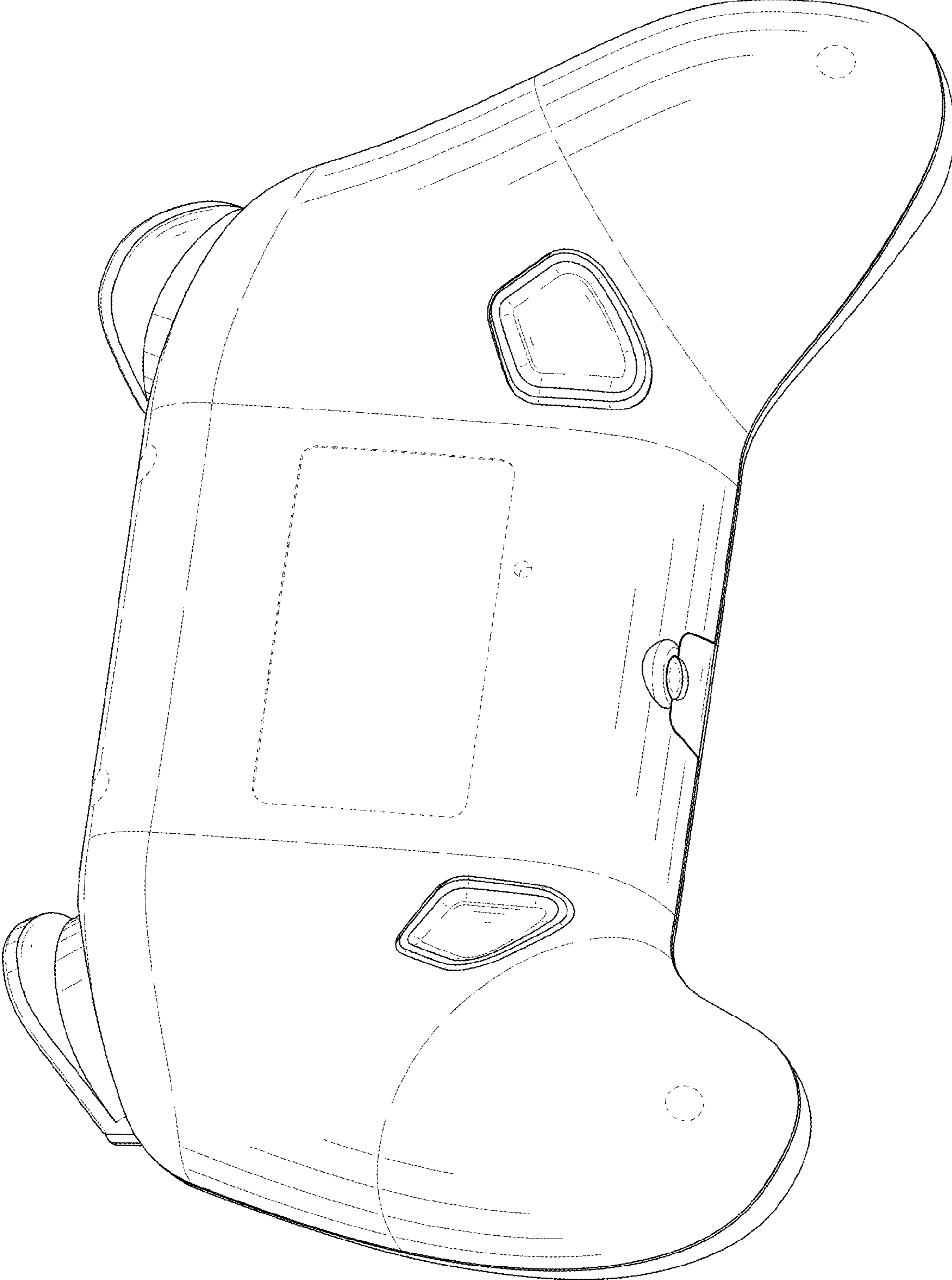


FIG. 2

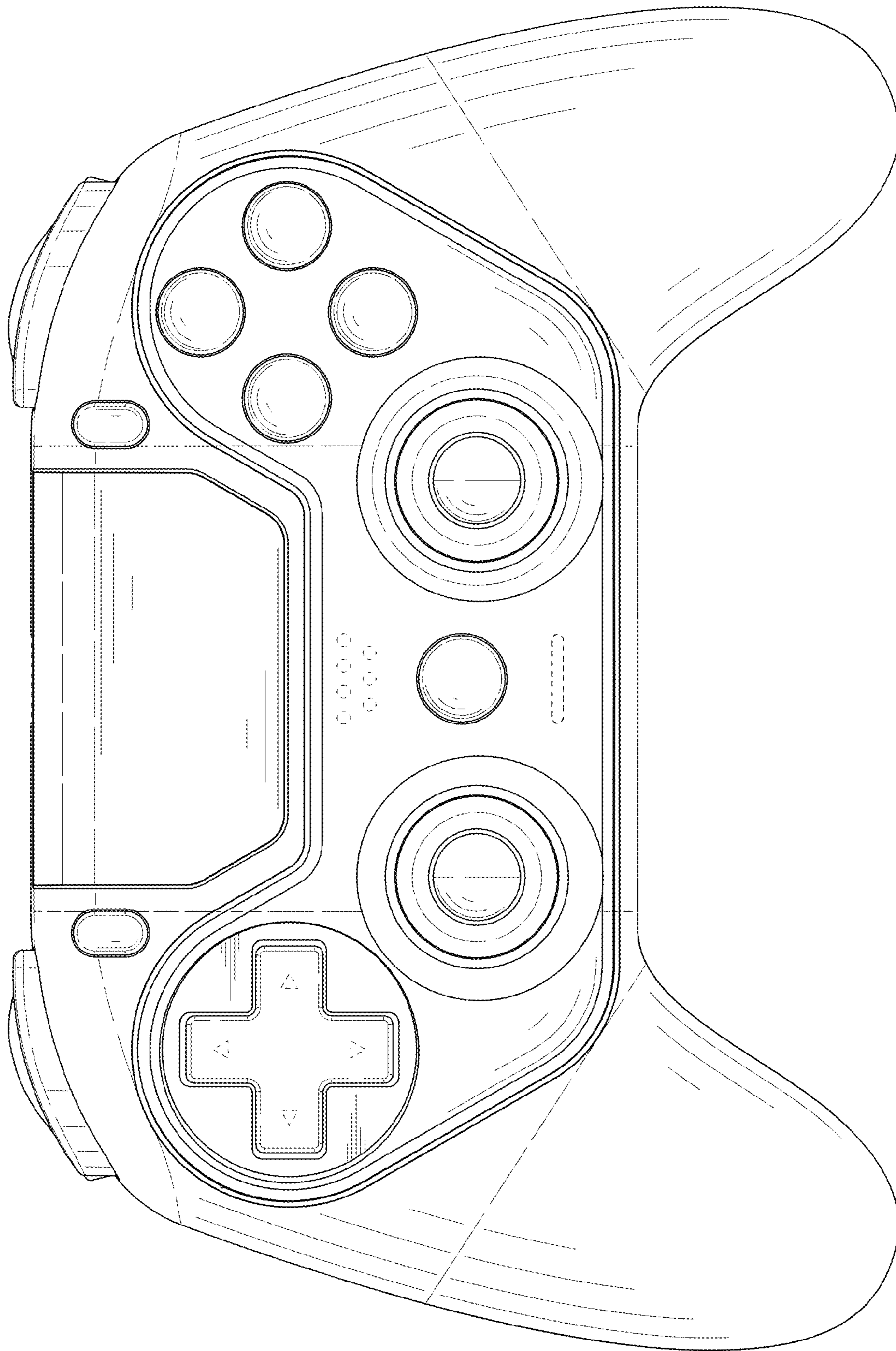


FIG. 3



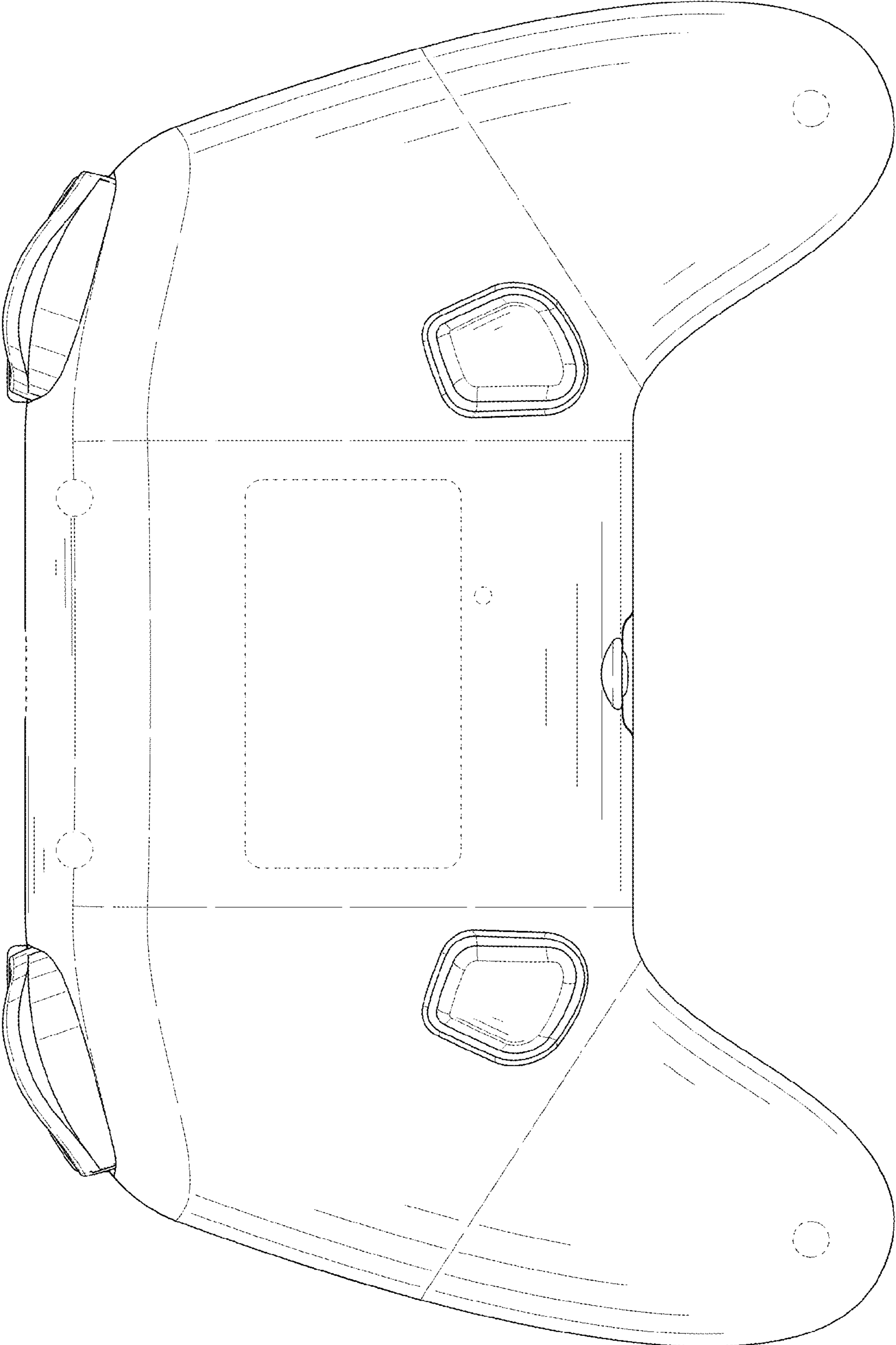


FIG. 4

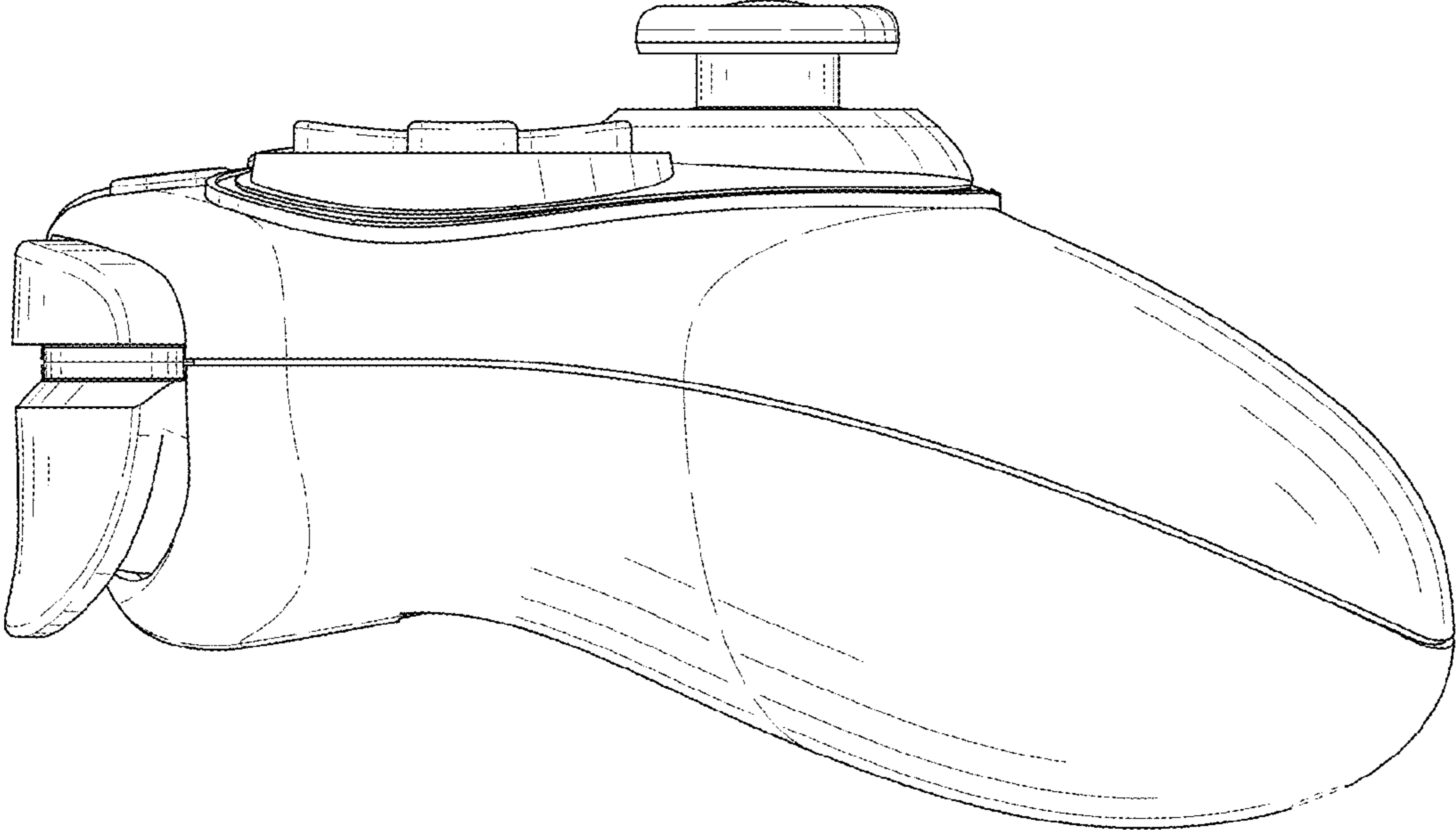


FIG. 5

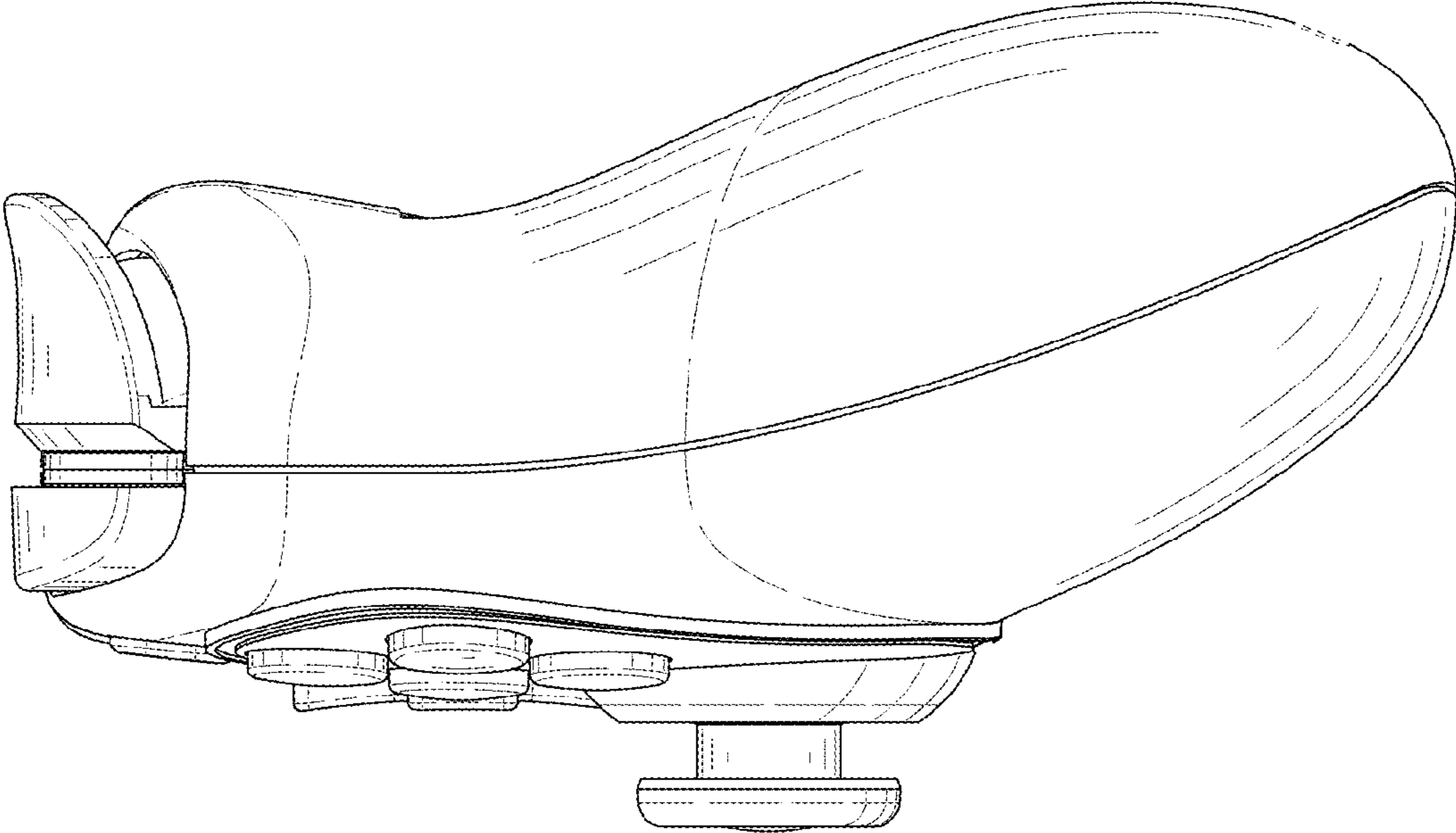


FIG. 6



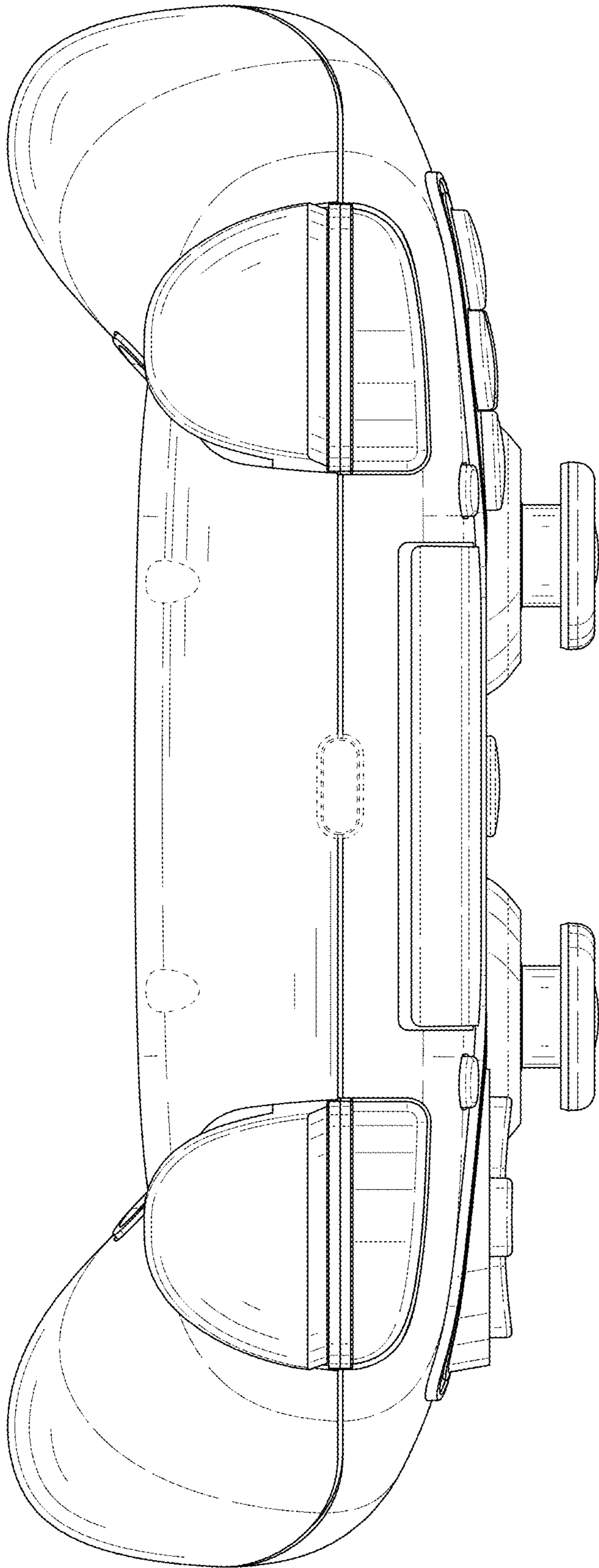


FIG. 7

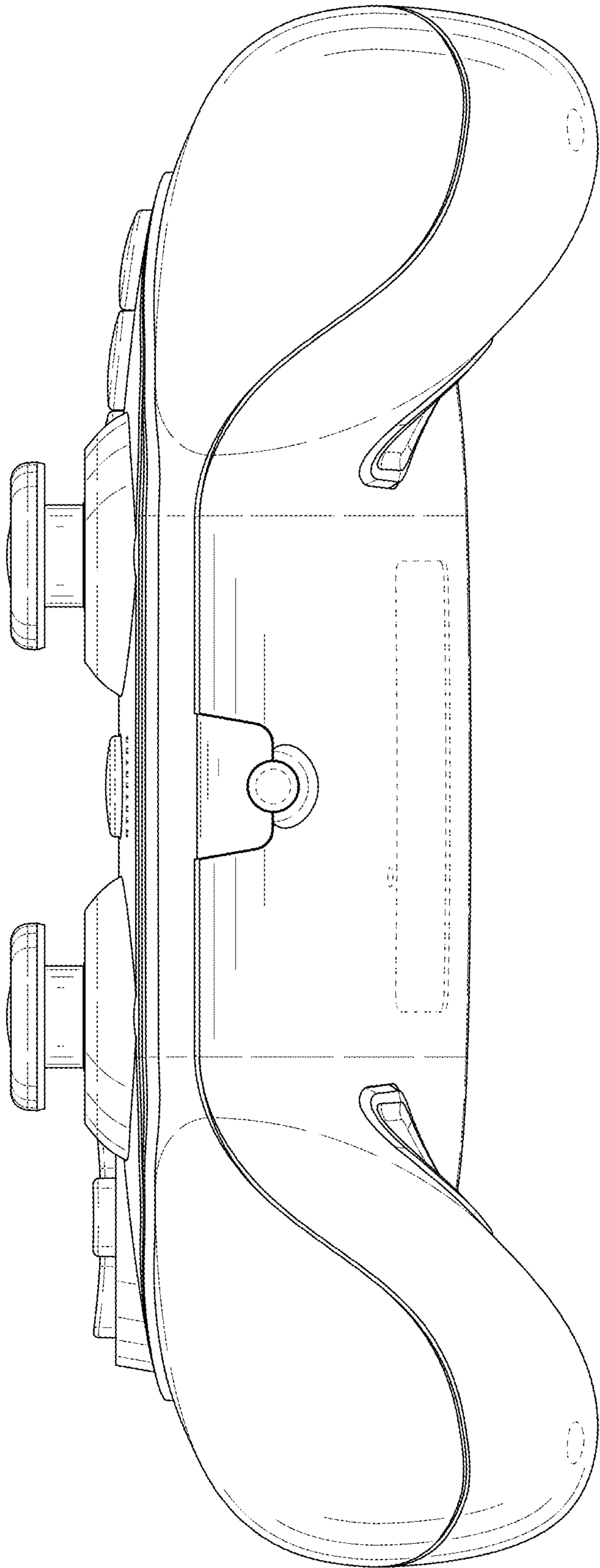


FIG. 8