



US00D963647S

(12) **United States Design Patent**
Kim et al.

(10) **Patent No.: US D963,647 S**

(45) **Date of Patent: ** *Sep. 13, 2022**

(54) **MONITOR FOR COMPUTER**

CPC G06F 1/1601; G06F 1/1605; G06F 1/162
See application file for complete search history.

(71) Applicant: **LG ELECTRONICS INC.**, Seoul
(KR)

(56) **References Cited**

(72) Inventors: **Yongsoo Kim**, Seoul (KR); **Yeonjin Kim**, Seoul (KR); **Daihyung Ryu**, Seoul (KR)

U.S. PATENT DOCUMENTS

(73) Assignee: **LG ELECTRONICS INC.**, Seoul
(KR)

D489,721 S * 5/2004 Peng D14/371
D635,975 S * 4/2011 Seo D14/374
D790,542 S * 6/2017 Jung D14/374
D831,647 S * 10/2018 Woo D14/374
D850,441 S * 6/2019 Lee D14/336
D858,473 S * 9/2019 Lee D14/126
D859,337 S * 9/2019 Lee D14/126
D872,085 S * 1/2020 Lee D14/374
D888,677 S * 6/2020 Ryu G06F 1/1605
D14/126

(*) Notice: This patent is subject to a terminal disclaimer.

D893,479 S * 8/2020 Ryu D14/374
D900,815 S * 11/2020 Kang D14/371

(**) Term: **15 Years**

(Continued)

(21) Appl. No.: **35/512,800**

OTHER PUBLICATIONS

(22) Filed: **Apr. 27, 2021**

Samsung Unveiled Its New Ultra-Wide Odyssey Gaming Monitor Line-up at CES 2020, publication date Jan. 3, 2020, [online] URL: <https://www.ubergizmo.com/2020/01/samsungs-odyssey-gaming-monitor/> (Year: 2020).*

(80) **Hague Agreement Data**

Int. Filing Date: **Apr. 27, 2021**

Int. Reg. No.: **DM/214023**

Int. Reg. Date: **Apr. 27, 2021**

Int. Reg. Pub. Date: **Oct. 29, 2021**

(Continued)

Primary Examiner — L. A. Grabenstetter

(74) *Attorney, Agent, or Firm* — Birch, Stewart, Kolasch & Birch, LLP

(30) **Foreign Application Priority Data**

Nov. 27, 2020 (KR) 30-2020-0058242

(51) **LOC (13) Cl.** **14-02**

(52) **U.S. Cl.**

USPC **D14/375; D14/379**

(58) **Field of Classification Search**

USPC D14/125–129, 132, 203.3, 203.7, 300,
D14/308, 310, 336, 341, 371, 372–380;

D21/330

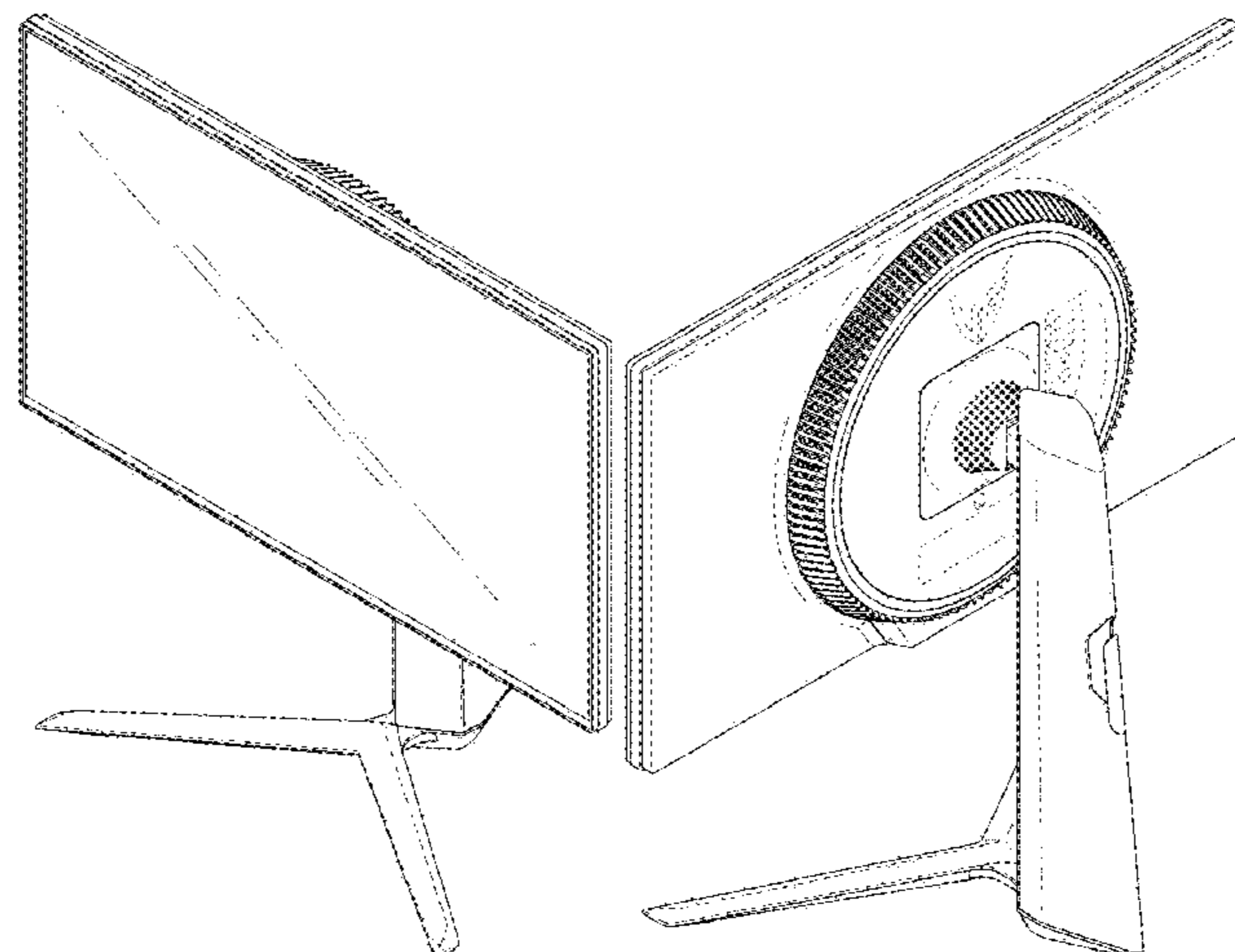
(57) **CLAIM**

The ornamental design for a monitor for computer, as shown and described.

DESCRIPTION

- 1. Monitor for computer
- 1.1 : Front perspective view
- 1.2 : Rear perspective view
- 1.3 : Front view
- 1.4 : Rear view
- 1.5 : Left view
- 1.6 : Right view

(Continued)



1.7 : Top view

1.8 : Bottom view

The broken lines indicate portions of the article that form no part of the claimed design.

1 Claim, 8 Drawing Sheets

(56)

References Cited

U.S. PATENT DOCUMENTS

D900,819	S	*	11/2020	Kim	D14/374
D900,820	S	*	11/2020	Kim	D14/374
D912,668	S	*	3/2021	Kang	D14/375
D918,908	S	*	5/2021	Kang	D14/375
D924,233	S	*	7/2021	Kang	D14/371
D943,577	S	*	2/2022	Kim	D14/375
D943,578	S	*	2/2022	Kang	D14/375

OTHER PUBLICATIONS

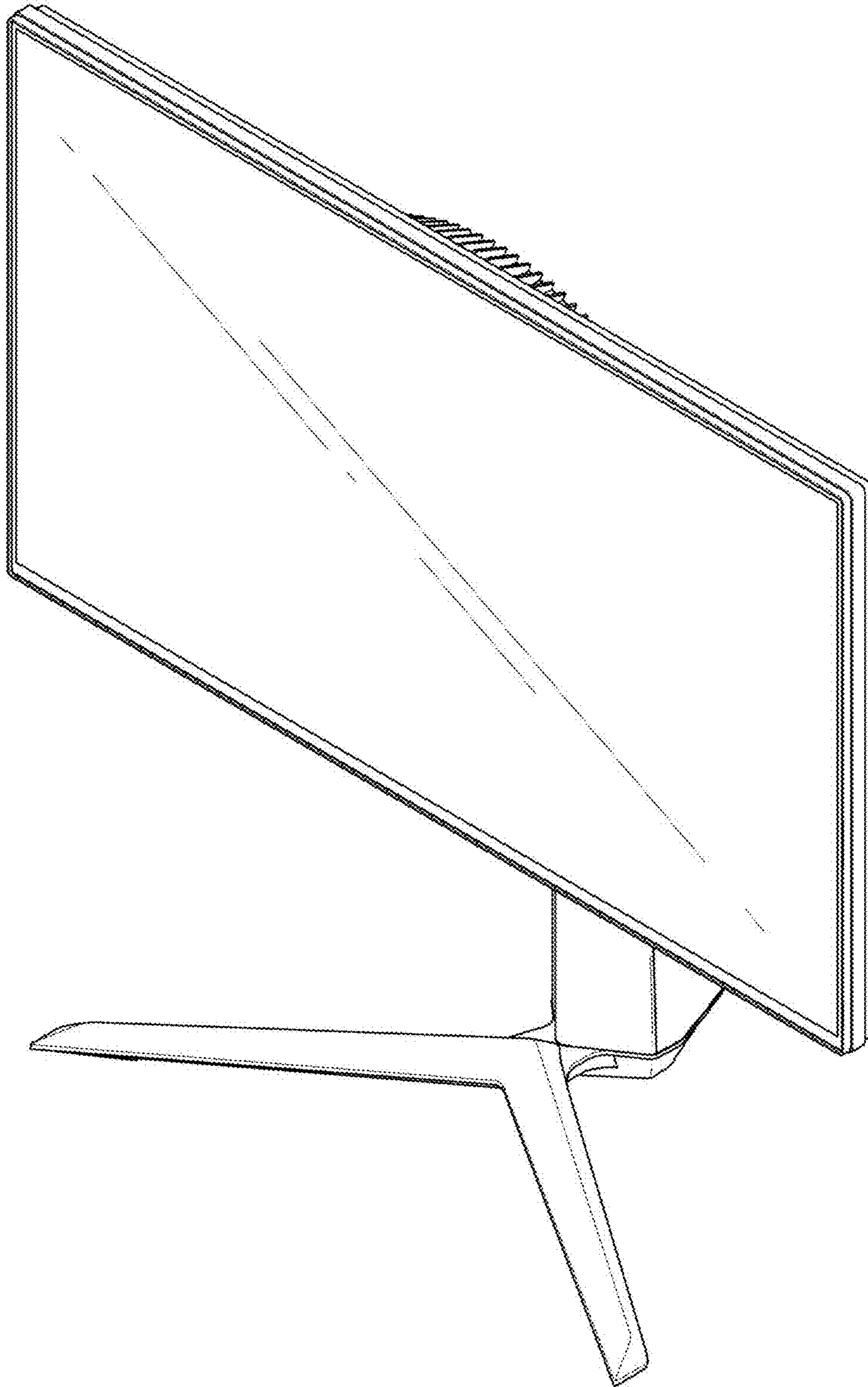
LG UltraGear 27GN950 4K Gaming Monitor, publication date Aug. 19, 2020, [online] URL: <https://www.ecoustics.com/products/lg-ultragear-27gn950-4k-monitor/> (Year: 2020).*

Review—Bezel 27HX280 4K Gaming Monitor, publication date Aug. 9, 2020, [online] URL: <https://www.techporn.ph/review-bezel-27hx280-4k-gaming-monitor/> (Year: 2020).*

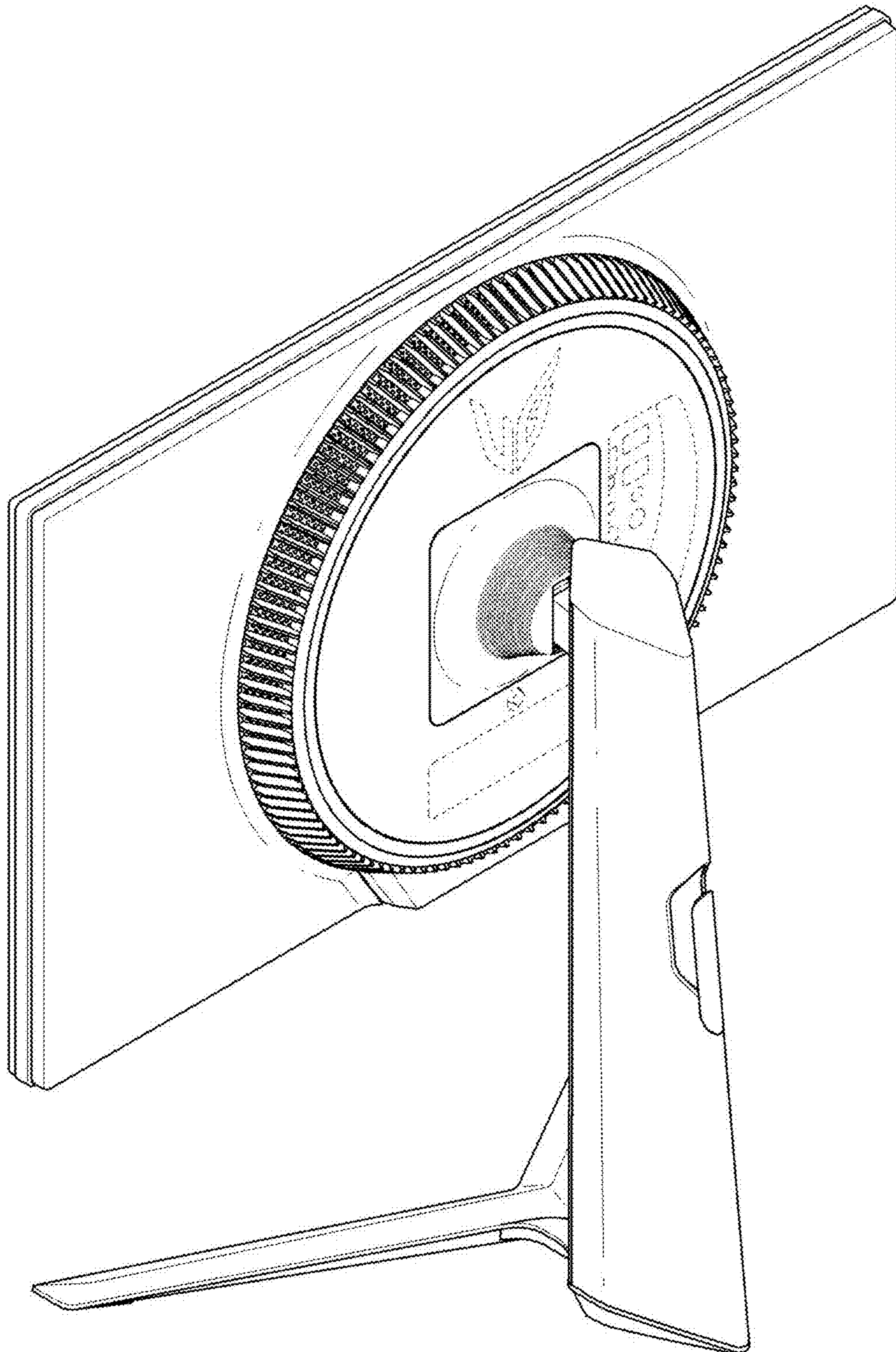
Nvidia and Asus announce a 360Hz gaming monitor, publication date Jan. 5, 2020, [online] URL: <https://www.theverge.com/2020/1/5/21050309/asus-nvidia-360hz-gaming-monitor-rog-swift-360-ces-2020> (Year: 2020).*

* cited by examiner

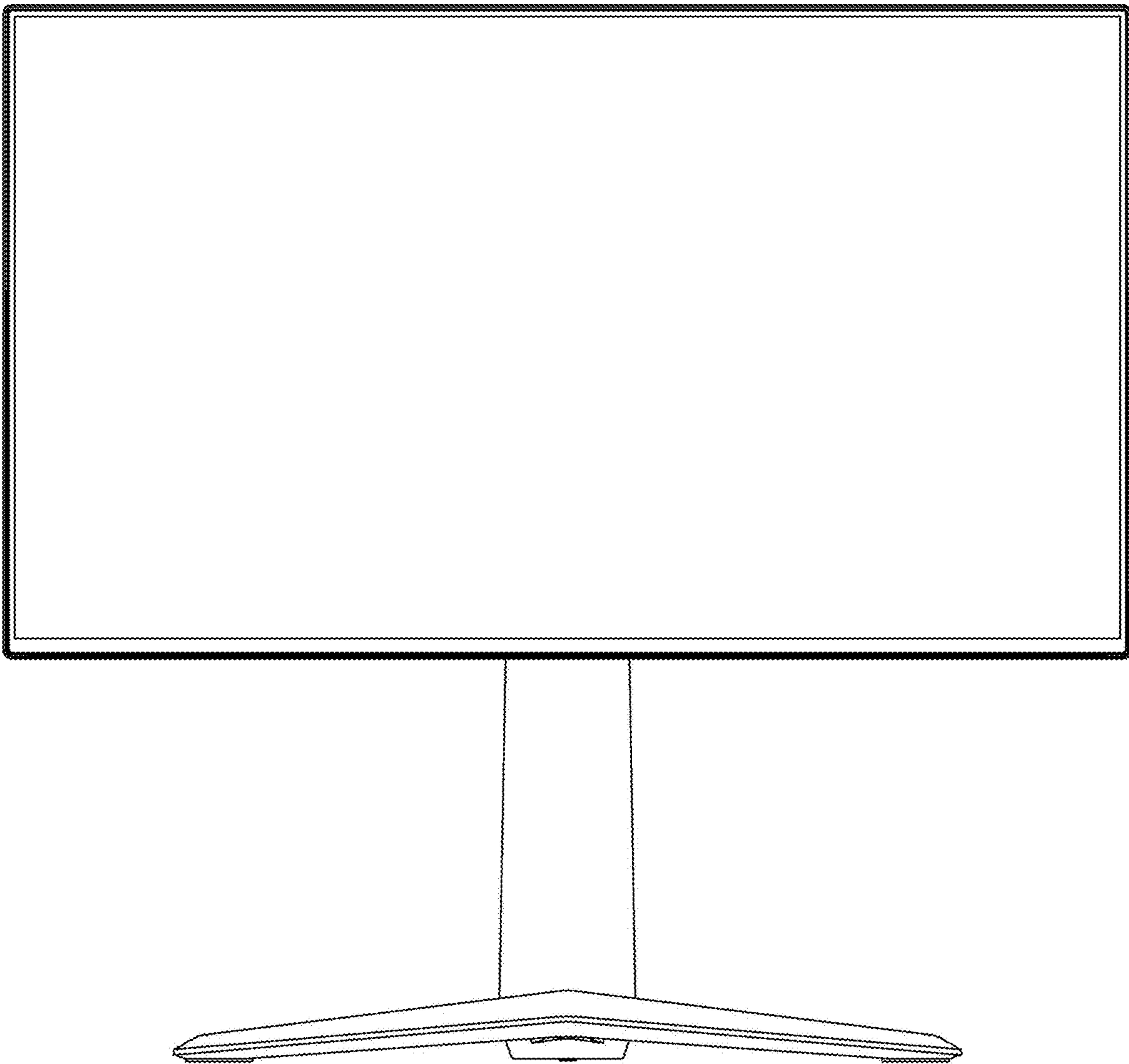
1.1



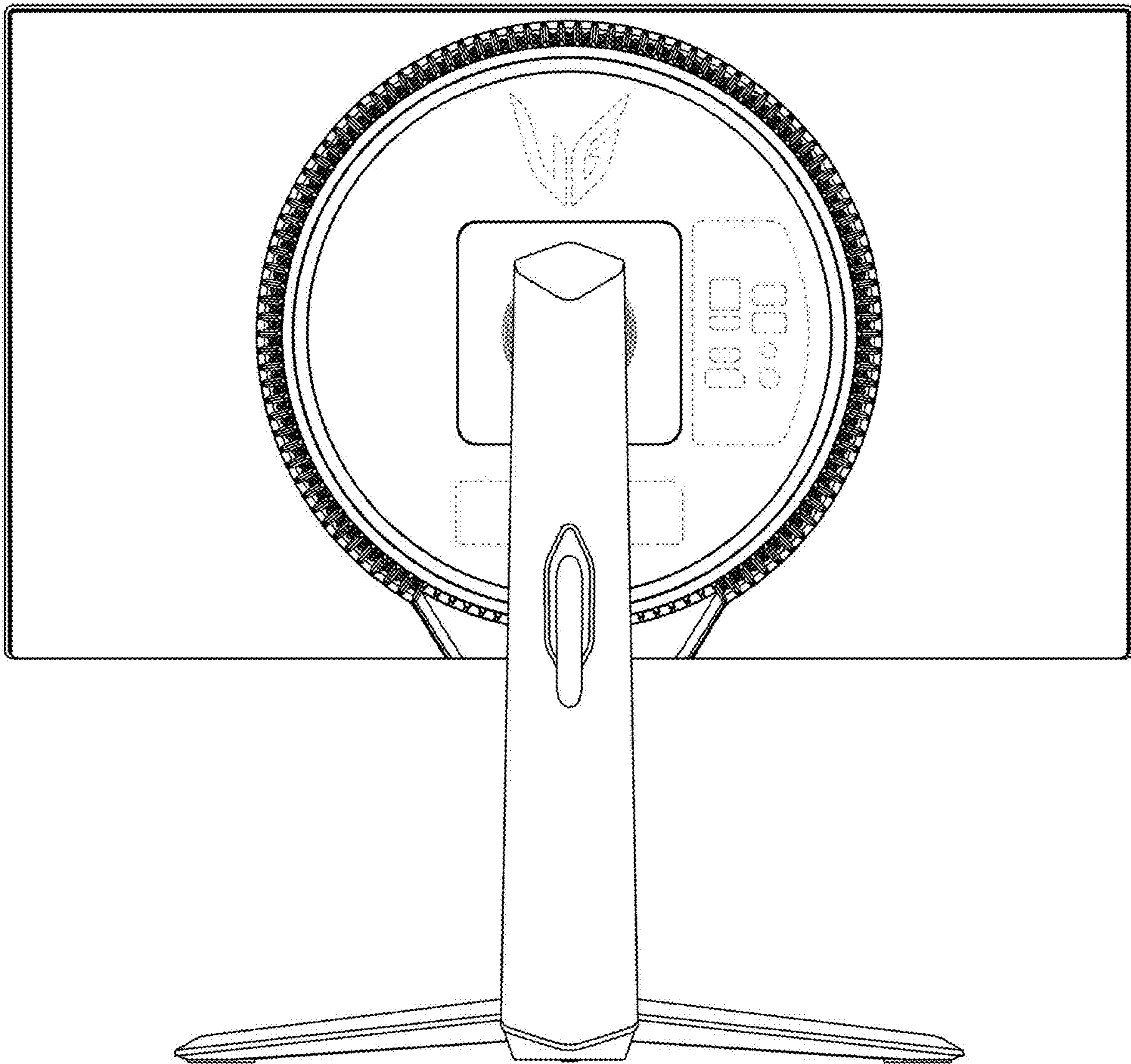
1.2



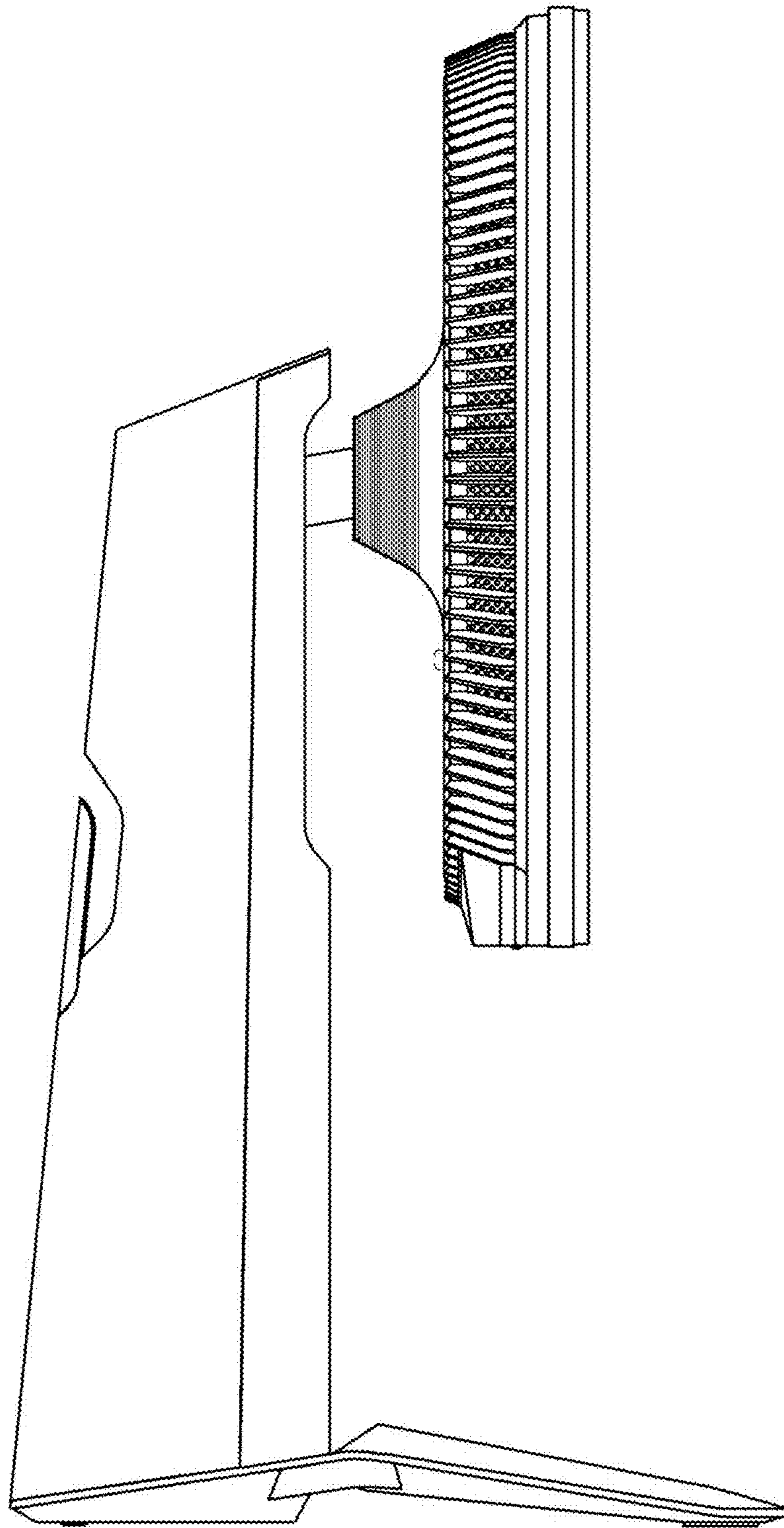
1.3



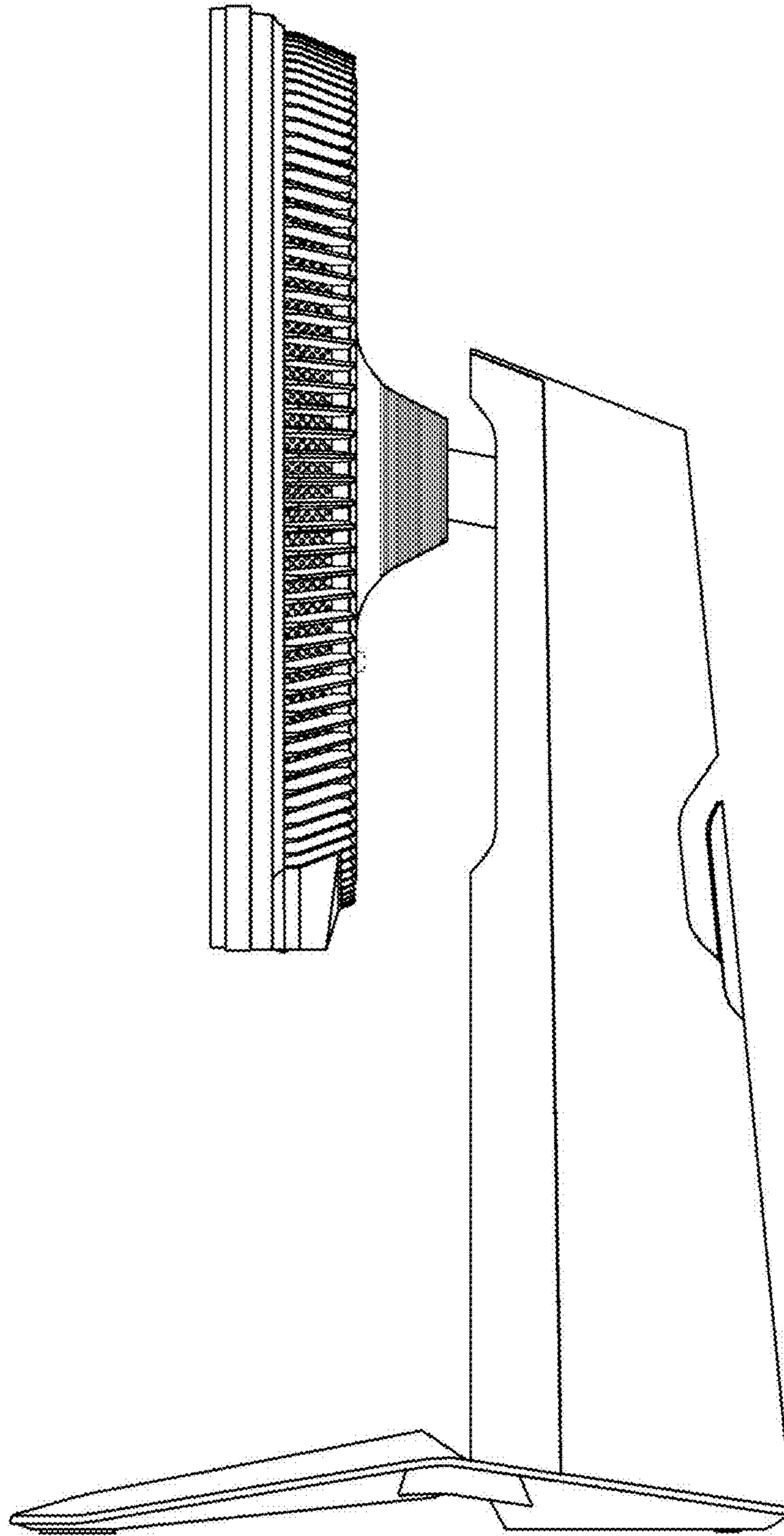
1.4



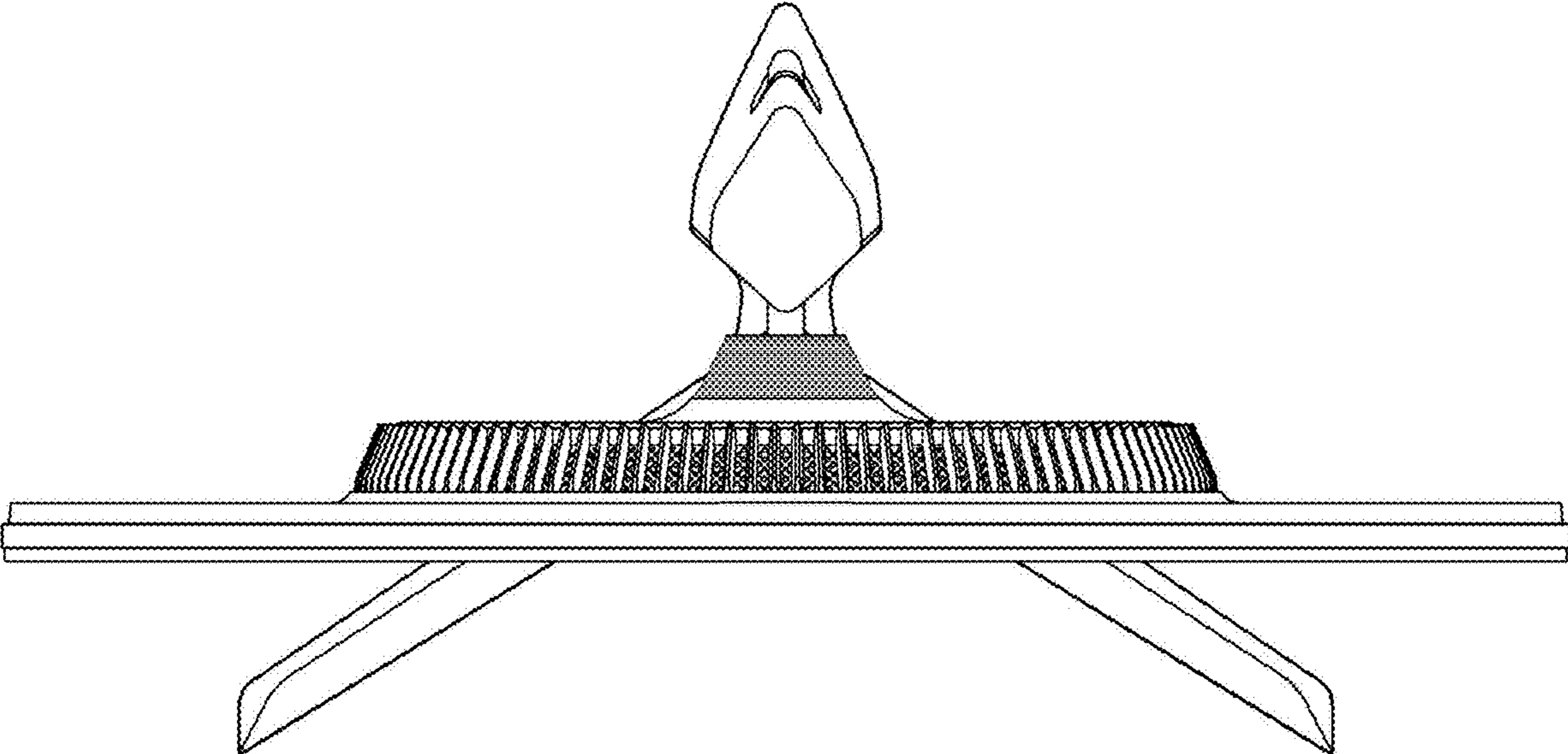
1.5



1.6



1.7



1.8

