

US00D963646S

(12) **United States Design Patent** (10) **Patent No.:** **US D963,646 S**  
**Kim et al.** (45) **Date of Patent:** **\*\* \*Sep. 13, 2022**

(54) **MONITOR**

(56) **References Cited**

(71) Applicant: **LG ELECTRONICS INC.**, Seoul (KR)

U.S. PATENT DOCUMENTS

(72) Inventors: **Yongsoo Kim**, Seoul (KR); **Yeonjin Kim**, Seoul (KR); **Daihyung Ryu**, Seoul (KR)

D489,721 S *	5/2004	Peng	.....	D14/371
D635,975 S *	4/2011	Seo	.....	D14/374
D790,542 S *	6/2017	Jung	.....	D14/374
D831,647 S *	10/2018	Woo	.....	D14/374
D850,441 S *	6/2019	Lee	.....	D14/336
D858,473 S *	9/2019	Lee	.....	D14/126
D859,337 S *	9/2019	Lee	.....	D14/126
D872,085 S *	1/2020	Lee	.....	D14/374
D888,677 S *	6/2020	Ryu	.....	G06F 1/1605 D14/126
D893,479 S *	8/2020	Ryu	.....	D14/374
D900,815 S *	11/2020	Kang	.....	D14/371

(73) Assignee: **LG ELECTRONICS INC.**, Seoul (KR)

(\*) Notice: This patent is subject to a terminal disclaimer.

(Continued)

(\*\*) Term: **15 Years**

OTHER PUBLICATIONS

(21) Appl. No.: **35/511,773**

Samsung Unveiled Its New Ultra-Wide Odyssey Gaming Monitor Line-up At CES 2020, publication date Jan. 3, 2020, [online] URL: <https://www.ubergizmo.com/2020/01/samsungs-odyssey-gaming-monitor/> (Year: 2020).\*

(22) Filed: **Oct. 26, 2020**

(Continued)

(80) **Hague Agreement Data**

*Primary Examiner* — L. A. Grabenstetter

Int. Filing Date: **Oct. 26, 2020**

(74) *Attorney, Agent, or Firm* — Birch, Stewart, Kolasch & Birch, LLP

Int. Reg. No.: **DM/211077**

Int. Reg. Date: **Oct. 26, 2020**

Int. Reg. Pub. Date: **Apr. 30, 2021**

(57) **CLAIM**

The ornamental design for a monitor, as shown and described.

(30) **Foreign Application Priority Data**

May 4, 2020 (KR) ..... 30-2020-0019507

**DESCRIPTION**

(51) **LOC (13) Cl.** ..... **14-02**

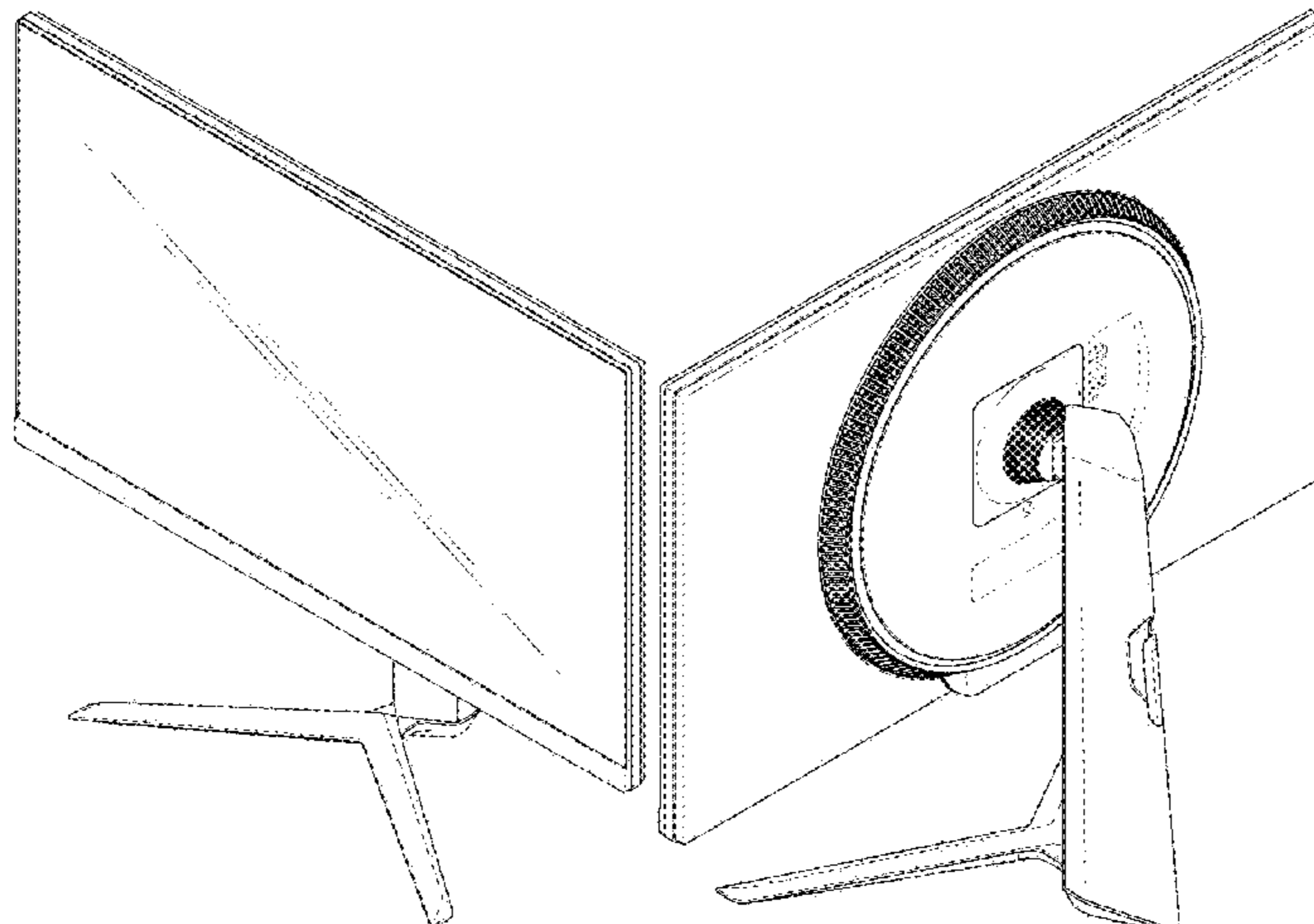
(52) **U.S. Cl.**  
USPC ..... **D14/375; D14/379**

(58) **Field of Classification Search**  
USPC ..... D14/125–129, 132, 203.3, 203.7, 300,  
D14/308, 310, 336, 341, 371, 372–380;  
D21/330

- 1. Monitor
- 1.1 : Front perspective view
- 1.2 : Rear perspective view
- 1.3 : Front view
- 1.4 : Rear view
- 1.5 : Left view
- 1.6 : Right view

CPC ..... G06F 1/1601; G06F 1/1605; G06F 1/162  
See application file for complete search history.

(Continued)



1.7 : Top view

1.8 : Bottom view

The broken lines indicate portions of the article that form no part of the claimed design.

**1 Claim, 8 Drawing Sheets**

(56)

**References Cited**

U.S. PATENT DOCUMENTS

D900,819	S	*	11/2020	Kim	.....	D14/374
D900,820	S	*	11/2020	Kim	.....	D14/374
D912,668	S	*	3/2021	Kang	.....	D14/375
D918,908	S	*	5/2021	Kang	.....	D14/375
D924,233	S	*	7/2021	Kang	.....	D14/371
D943,577	S	*	2/2022	Kim	.....	D14/375
D943,578	S	*	2/2022	Kang	.....	D14/375

OTHER PUBLICATIONS

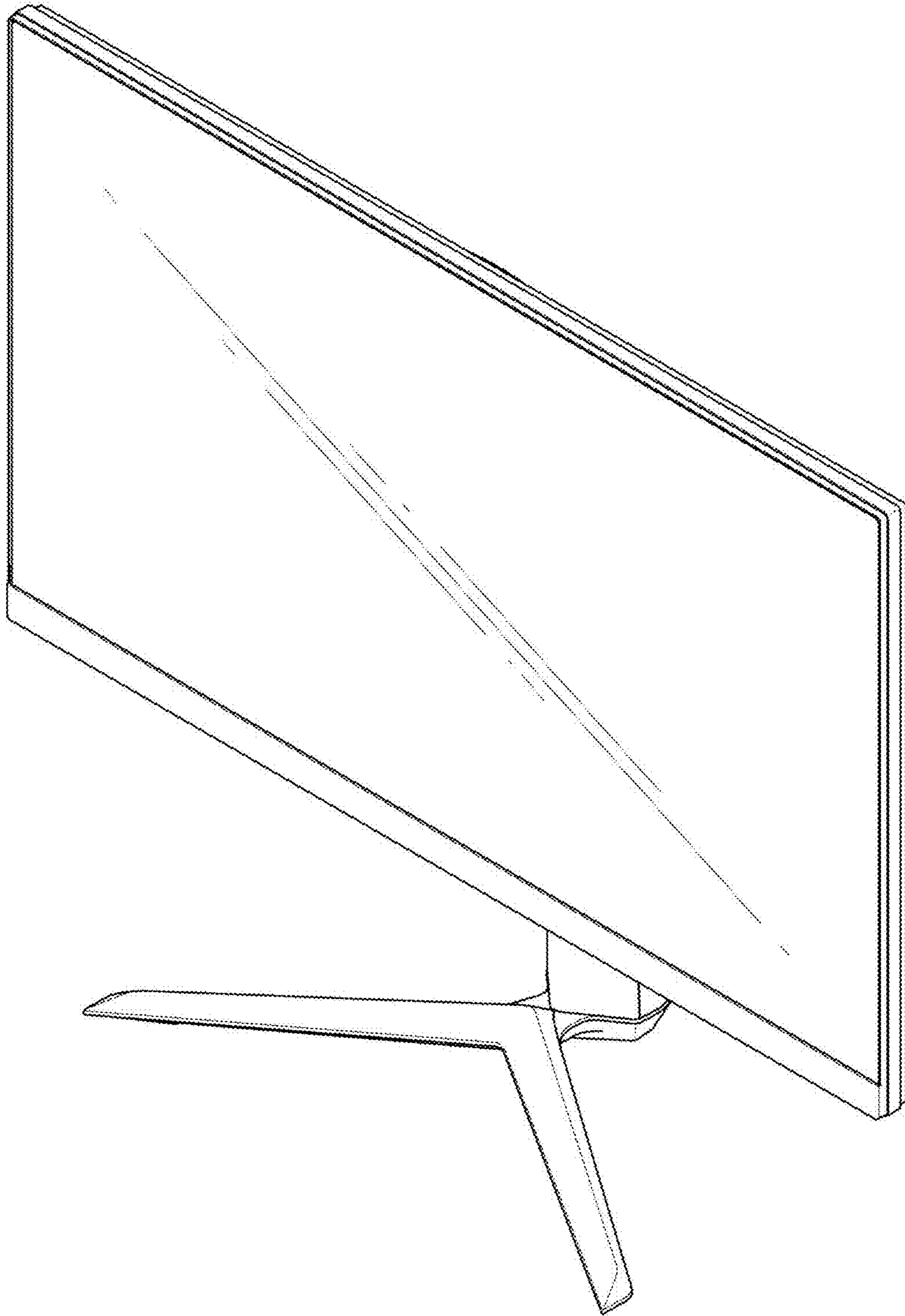
LG UltraGear 27GN950 4K Gaming Monitor, publication date Aug. 19, 2020, [online] URL: <https://www.ecoustics.com/products/lg-ultragear-27gn950-4k-monitor/> (Year: 2020).\*

Review—Bezel 27HX280 4K Gaming Monitor, publication date Aug. 9, 2020, [online] URL: <https://www.techporn.ph/review-bezel-27hx280-4k-gaming-monitor/> (Year: 2020).\*

Nvidia and Asus announce a 360Hz gaming monitor, publication date Jan. 5, 2020, [online] URL: <https://www.theverge.com/2020/1/5/21050309/asus-nvidia-360hz-gaming-monitor-rog-swift-360-ces-2020> (Year: 2020).\*

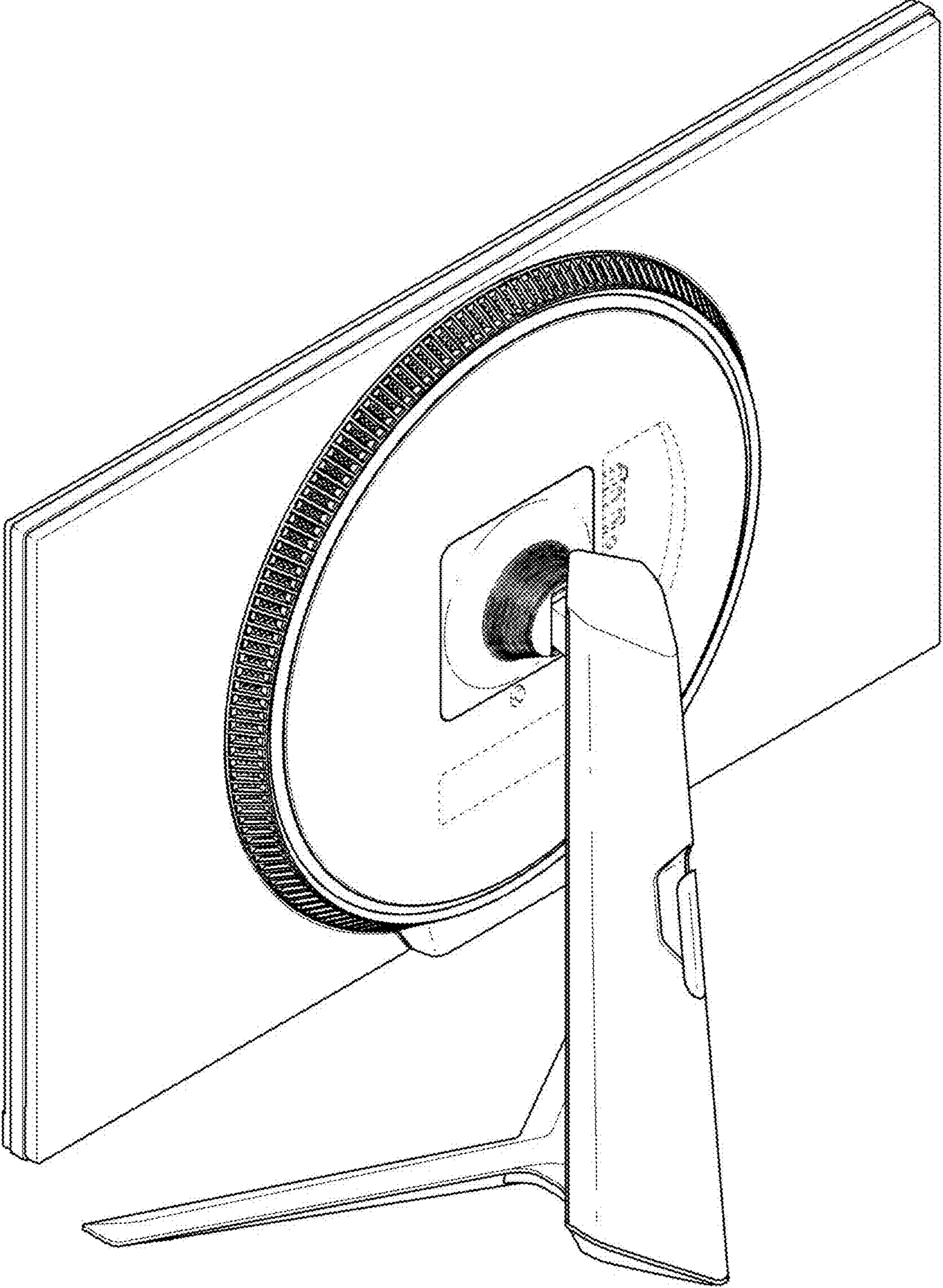
\* cited by examiner

1.1

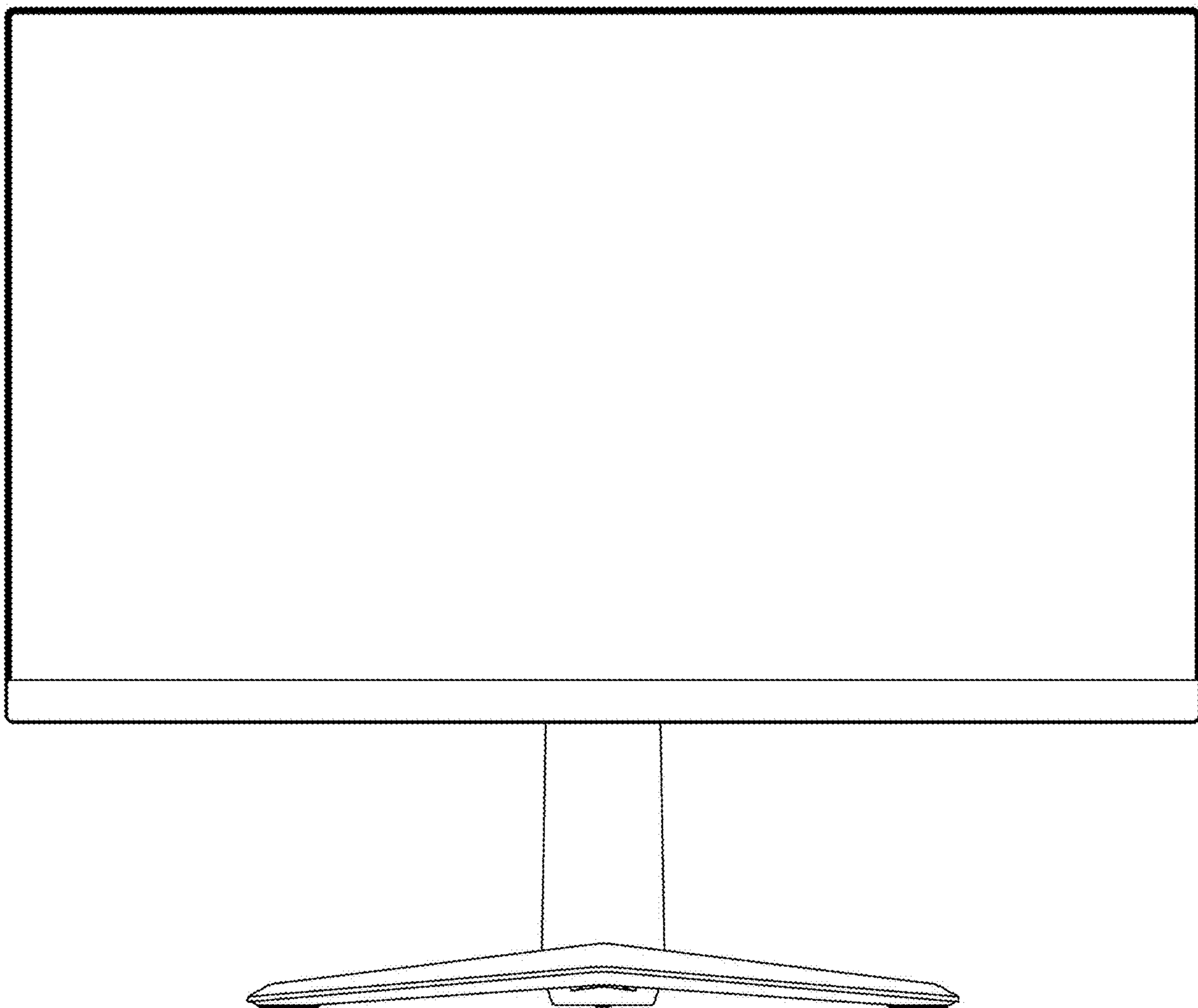




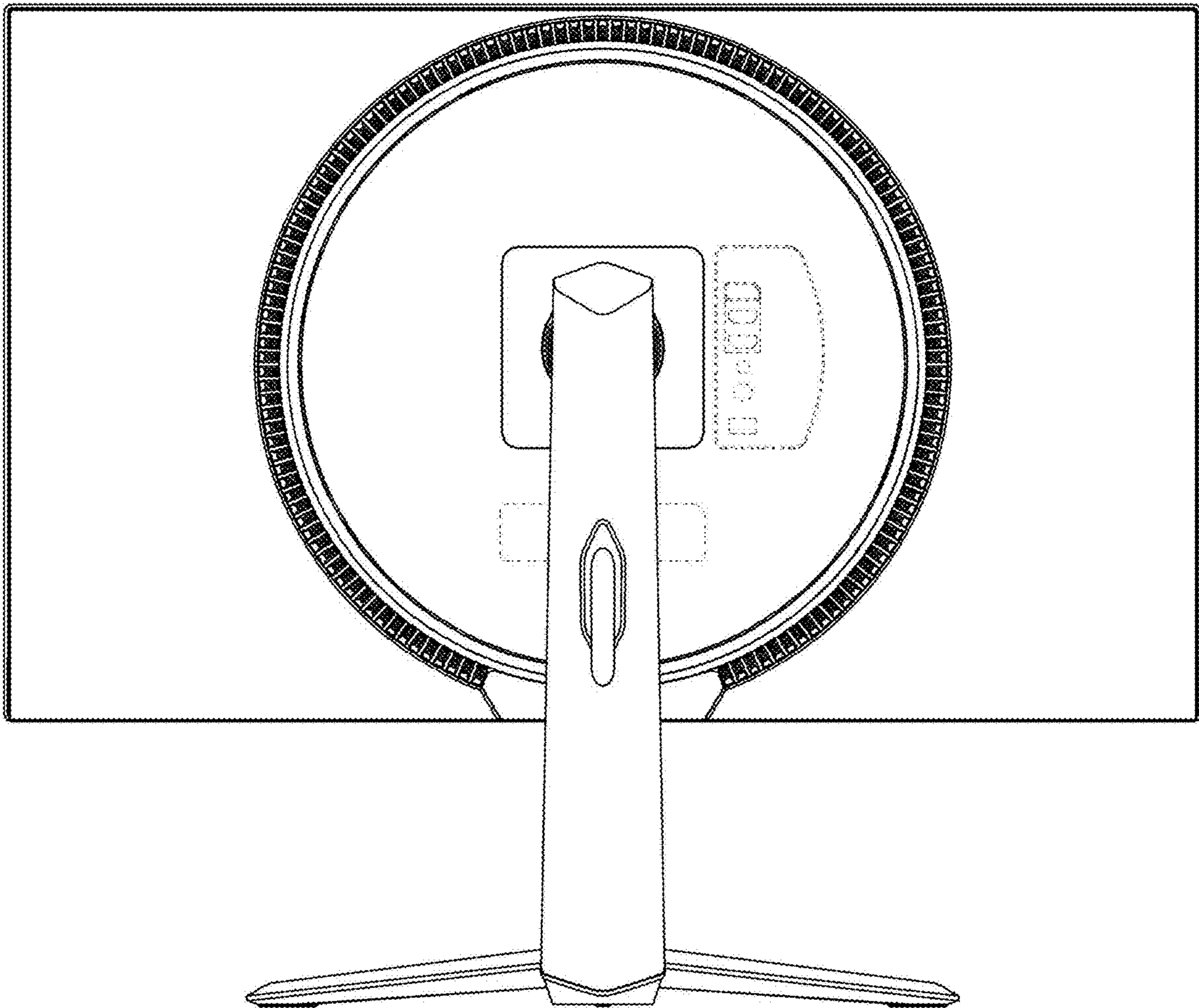
1.2



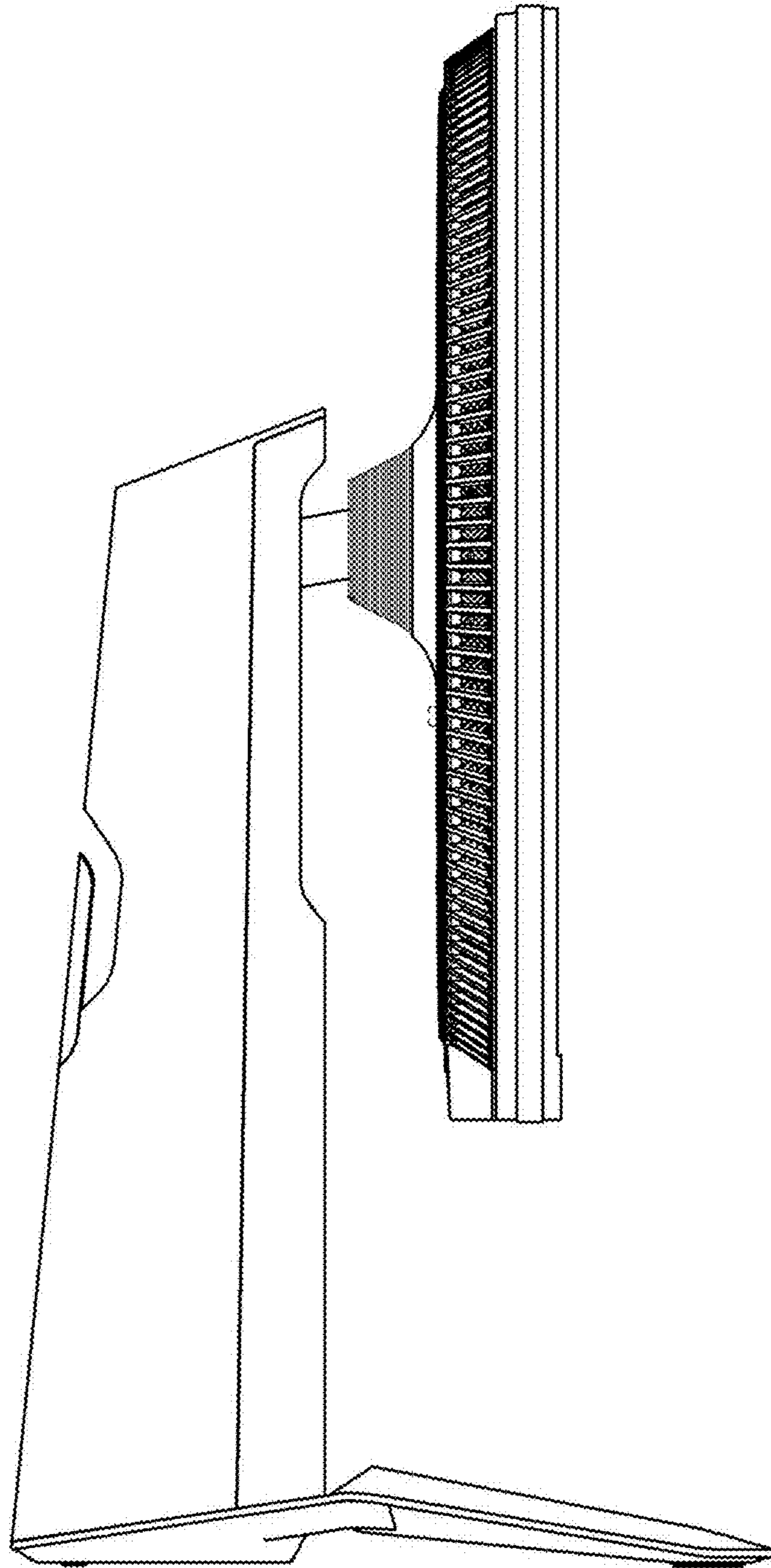
1.3



1.4

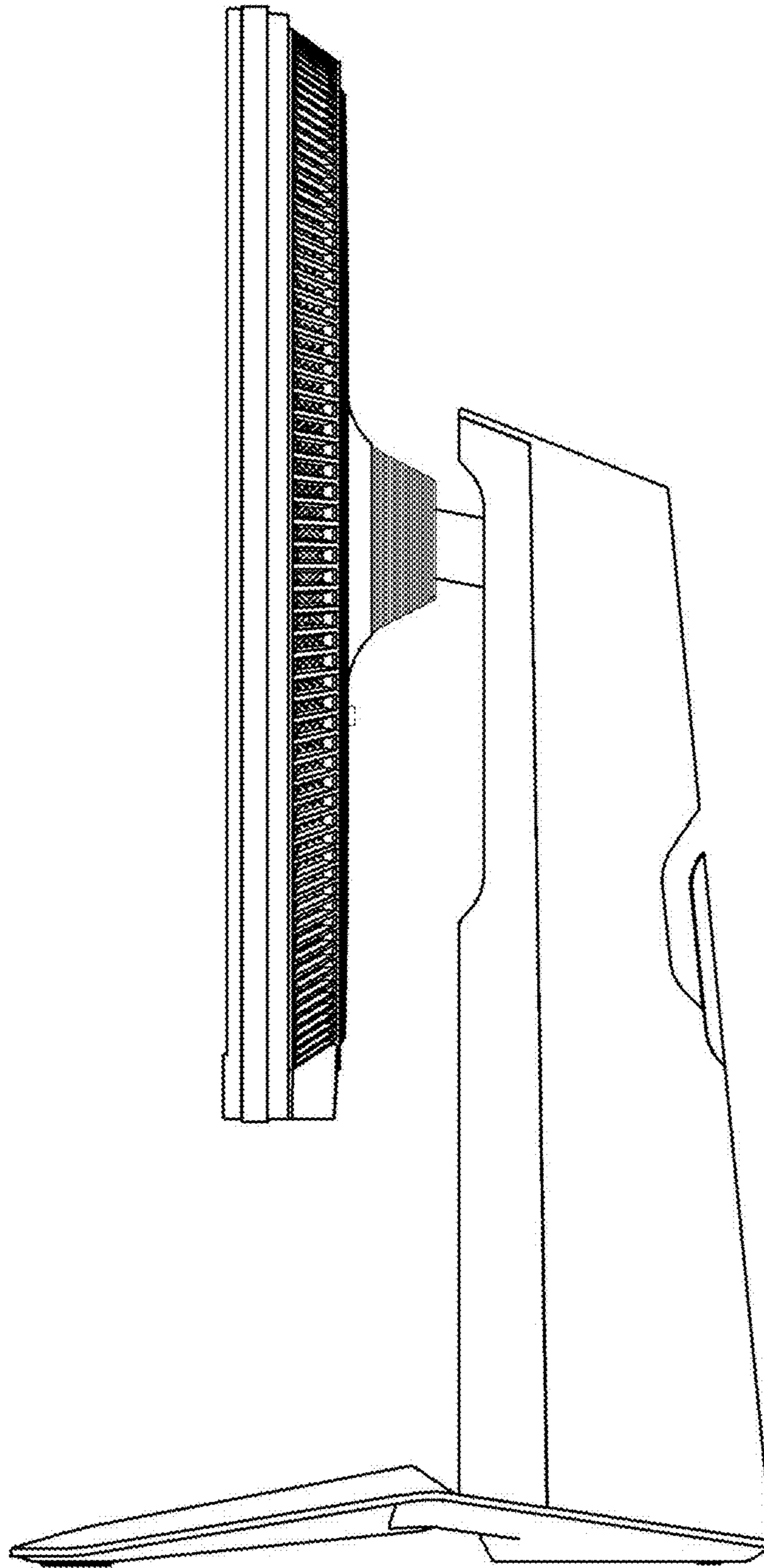


1.5



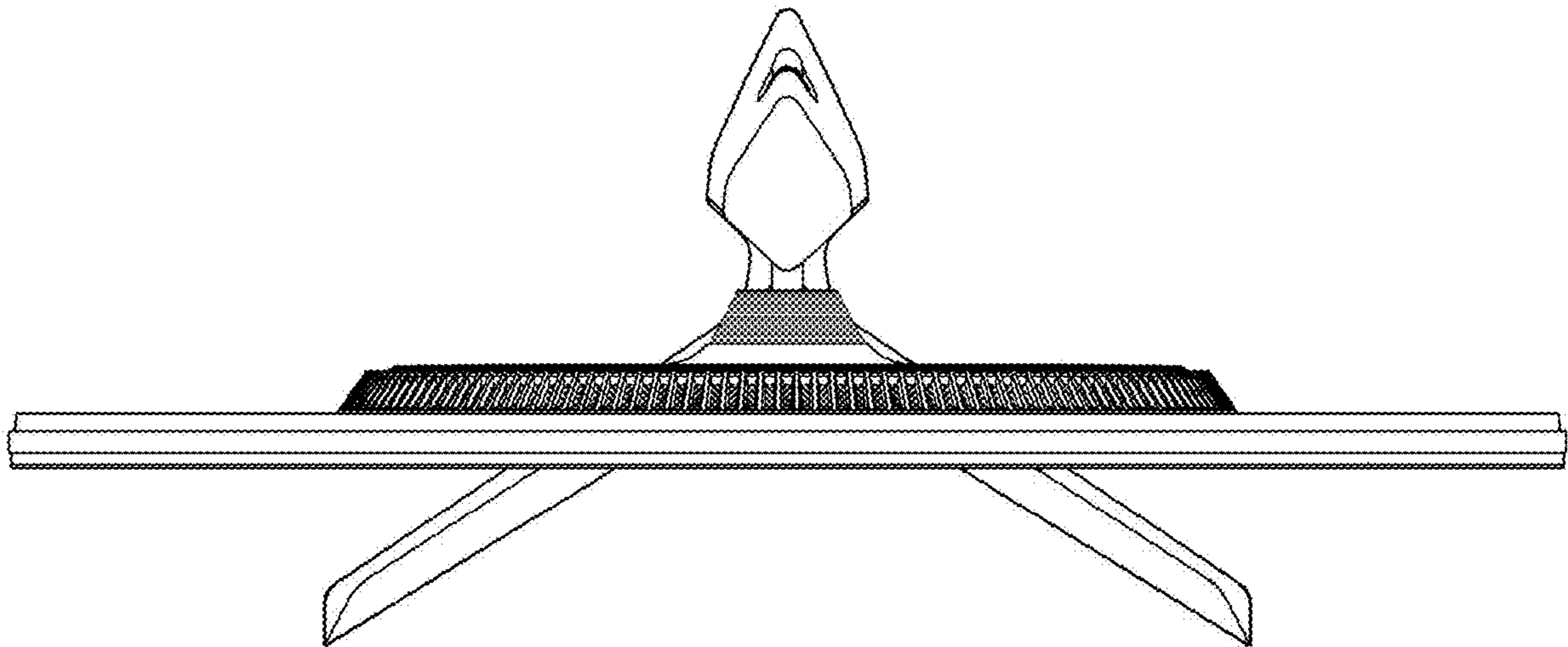


1.6





1.7



1.8

