



US00D963645S

(12) **United States Design Patent** (10) **Patent No.:** **US D963,645 S**
Li (45) **Date of Patent:** **** Sep. 13, 2022**

(54) **MONITOR DISPLAY**

(71) Applicant: **SHENZHEN YINGCHUANG TECHNOLOGY CO., LTD.**, Shenzhen (CN)

(72) Inventor: **Jie Li**, Fuyang (CN)

(73) Assignee: **SHENZHEN YINGCHUANG TECHNOLOGY CO., LTD.**, Shenzhen (CN)

(**) Term: **15 Years**

(21) Appl. No.: **29/743,817**

(22) Filed: **Jul. 24, 2020**

(30) **Foreign Application Priority Data**

Mar. 24, 2020 (CN) 202030104330.1

(51) **LOC (13) Cl.** **14-02**

(52) **U.S. Cl.**
USPC **D14/375**; D14/371

(58) **Field of Classification Search**
USPC D14/305, 306, 307, 315, 316, 322, 334, D14/335, 336, 339, 340, 356, 371, 372, D14/373, 374, 375, 376, 377, 378, 379, D14/380, 381, 382, 432, 448, 449, 450, D14/451, 452, 125, 126, 127, 129, 132, D14/133, 217, 239, 314, 337, 447
CPC G06F 1/16; G06F 1/1601; G06F 1/1603; G06F 1/1605; G06F 1/1607; G06F 1/1611; G06F 1/1616; G06F 1/1618; G06F 1/1622; G06F 1/1626; G06F 1/1641; G06F 1/1643; G06F 1/1647; G06F 1/1649; G06F 1/1654; G06F 1/1656; G06F 1/181; G06F 1/1681; G06F 1/1684; G06F 1/1686; G06F 1/1692; H05K 5/00; H05K 5/03; H05K 5/0243; H05K 5/0286; H05K 5/0239; H05K 5/02; H05K 5/0204; H05K 5/0217; H04N 5/64; H04N 5/645

See application file for complete search history.

(56) **References Cited**

U.S. PATENT DOCUMENTS

D738,378 S * 9/2015 Kim D14/451
9,501,108 B2 * 11/2016 Lee G06F 1/1601
D780,174 S * 2/2017 Park D14/341
D819,018 S * 5/2018 Tsai D14/341

(Continued)

OTHER PUBLICATIONS

Portable Monitor—Lepow C2S. Lepow, amazon.com (online) 11 pages. Posted Nov. 5, 2020. [Retrieved Mar. 21, 2022] https://www.amazon.com/dp/B09H6RGZCL/ref=cm_sw_em_r_mt_dp_TQ11JAK7KJG4Q668MQDM?_encoding=UTF8&psc=1 (Year: 2020).*

(Continued)

Primary Examiner — Kathleen L Jones

Assistant Examiner — Cole Sanders Holman

(74) *Attorney, Agent, or Firm* — Li & Cai Intellectual Property (USA) Office

(57) **CLAIM**

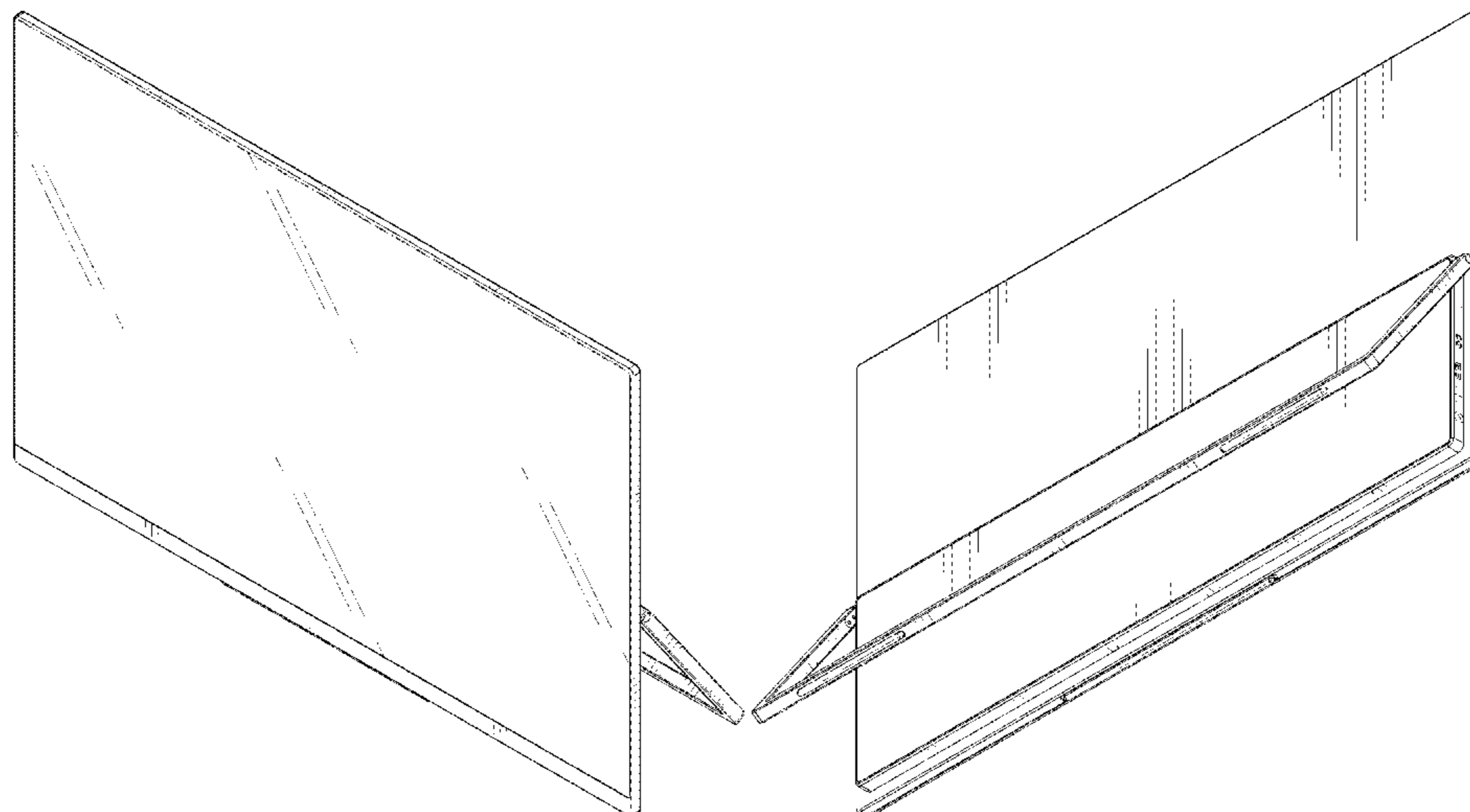
The ornamental design for a monitor display, as shown and described.

DESCRIPTION

FIG. 1 is a front, right side and top perspective view of a monitor display showing my new design; FIG. 2 is a front elevational view thereof; FIG. 3 is a rear elevational view thereof; FIG. 4 is a left side elevational view thereof; FIG. 5 is a right side elevational view thereof; FIG. 6 is a top plan view thereof; FIG. 7 is a bottom plan view thereof; and, FIG. 8 is a rear, left side and bottom perspective view thereof.

The broken lines in the drawing depict portions of the monitor display that form no part of the claimed design.

1 Claim, 6 Drawing Sheets



(56)

References Cited

U.S. PATENT DOCUMENTS

D845,947 S * 4/2019 Raken D14/341
D855,056 S * 7/2019 Raken D14/315
10,649,498 B2 * 5/2020 Ku G06F 1/1681
D922,996 S * 6/2021 Chen D14/315
D931,841 S * 9/2021 Cho D14/239
D934,823 S * 11/2021 Kim D14/126
2016/0216742 A1 * 7/2016 Lee G06F 1/166
2020/0124229 A1 * 4/2020 Han F16M 13/005

OTHER PUBLICATIONS

Portable Monitor—Ultra Slim Portable Monitor. InnoView, amazon.com (online) 17 pages. Posted Jun. 15, 2021. [Retrieved Mar. 21, 2022] https://www.amazon.com/dp/B097MZGZ2Y/ref=cm_sw_em_r_mt_dp_dl_AAW4K8CECEWJFTMG9ZWE (Year: 2021).*

* cited by examiner

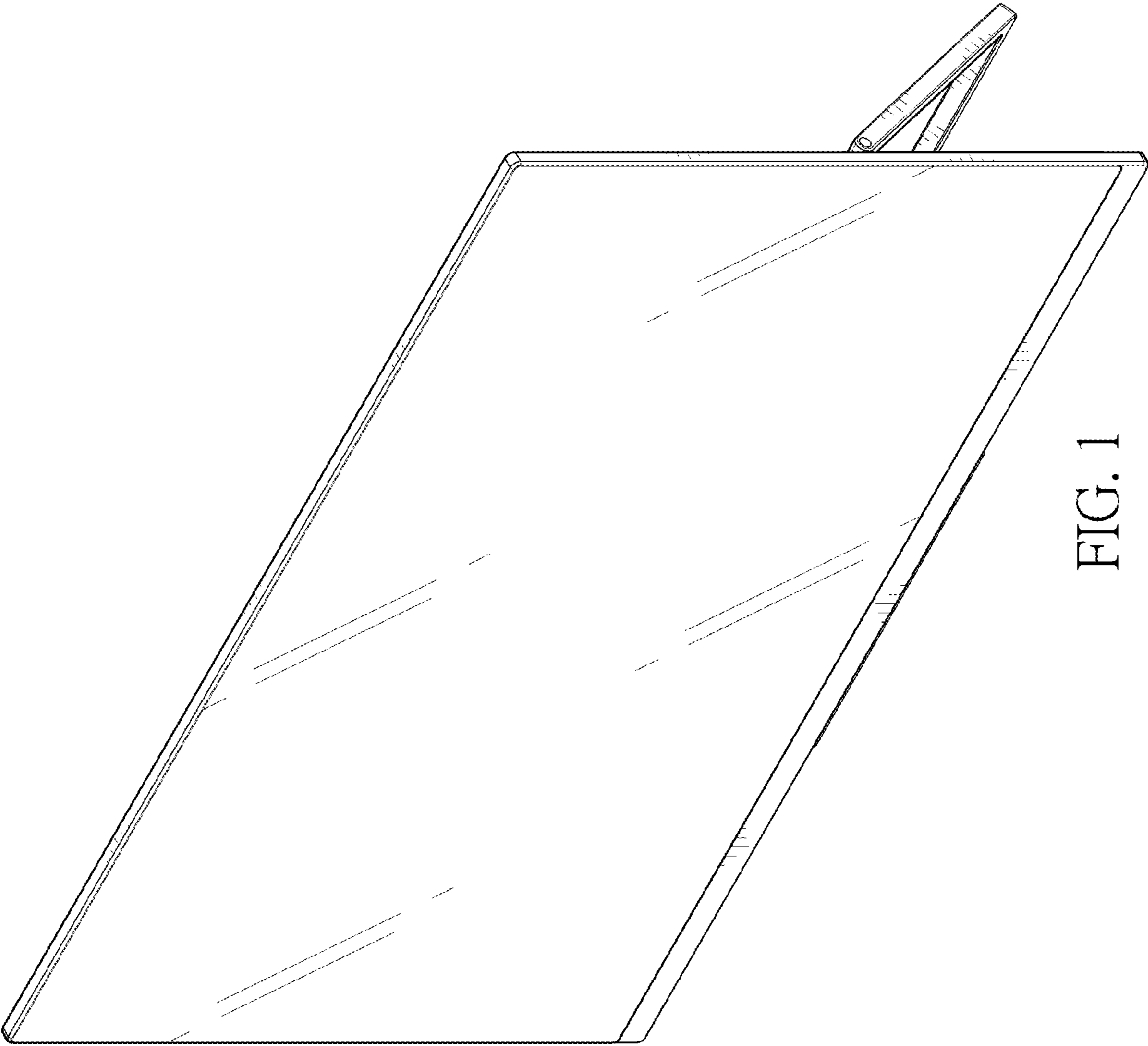


FIG. 1

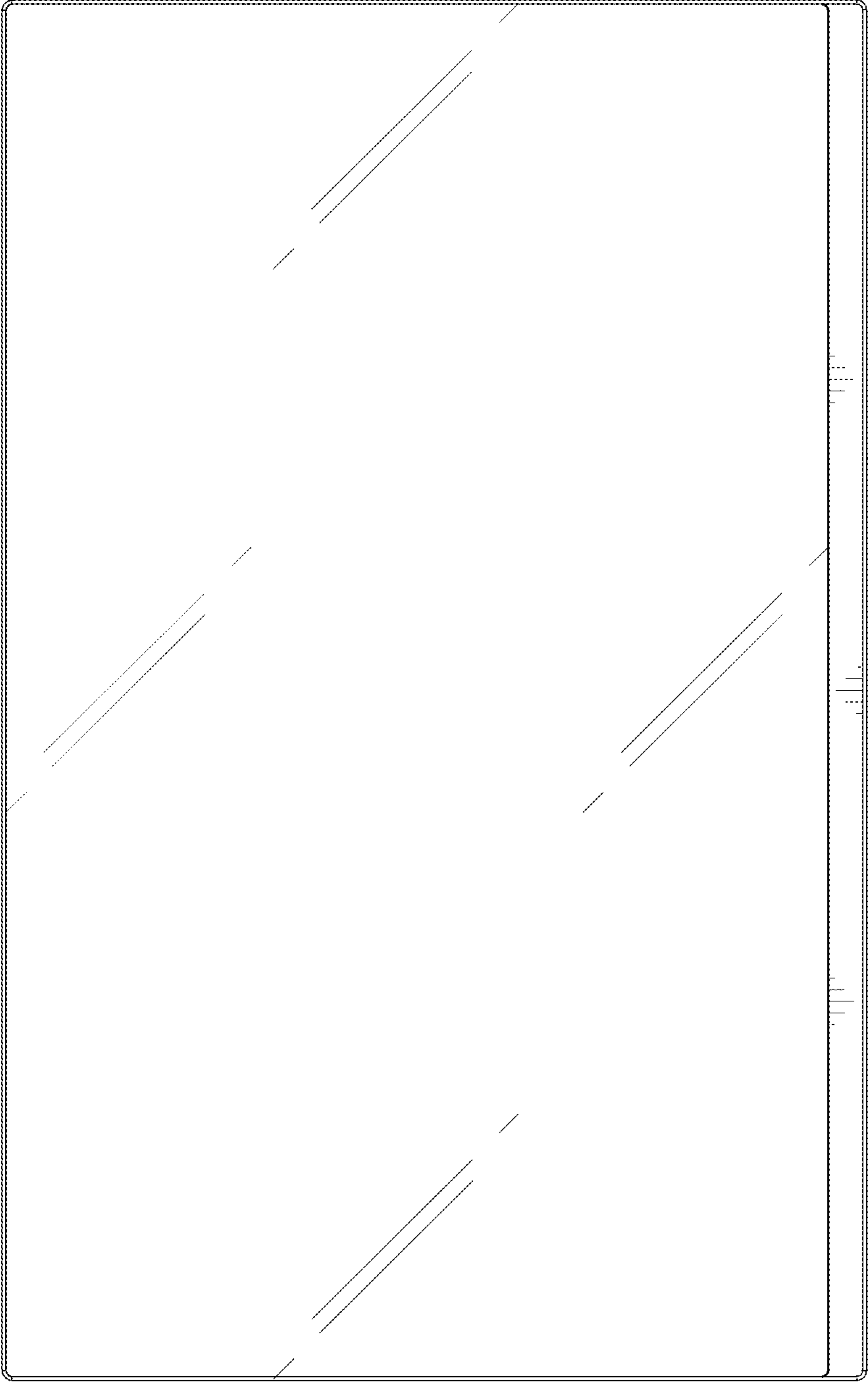


FIG. 2

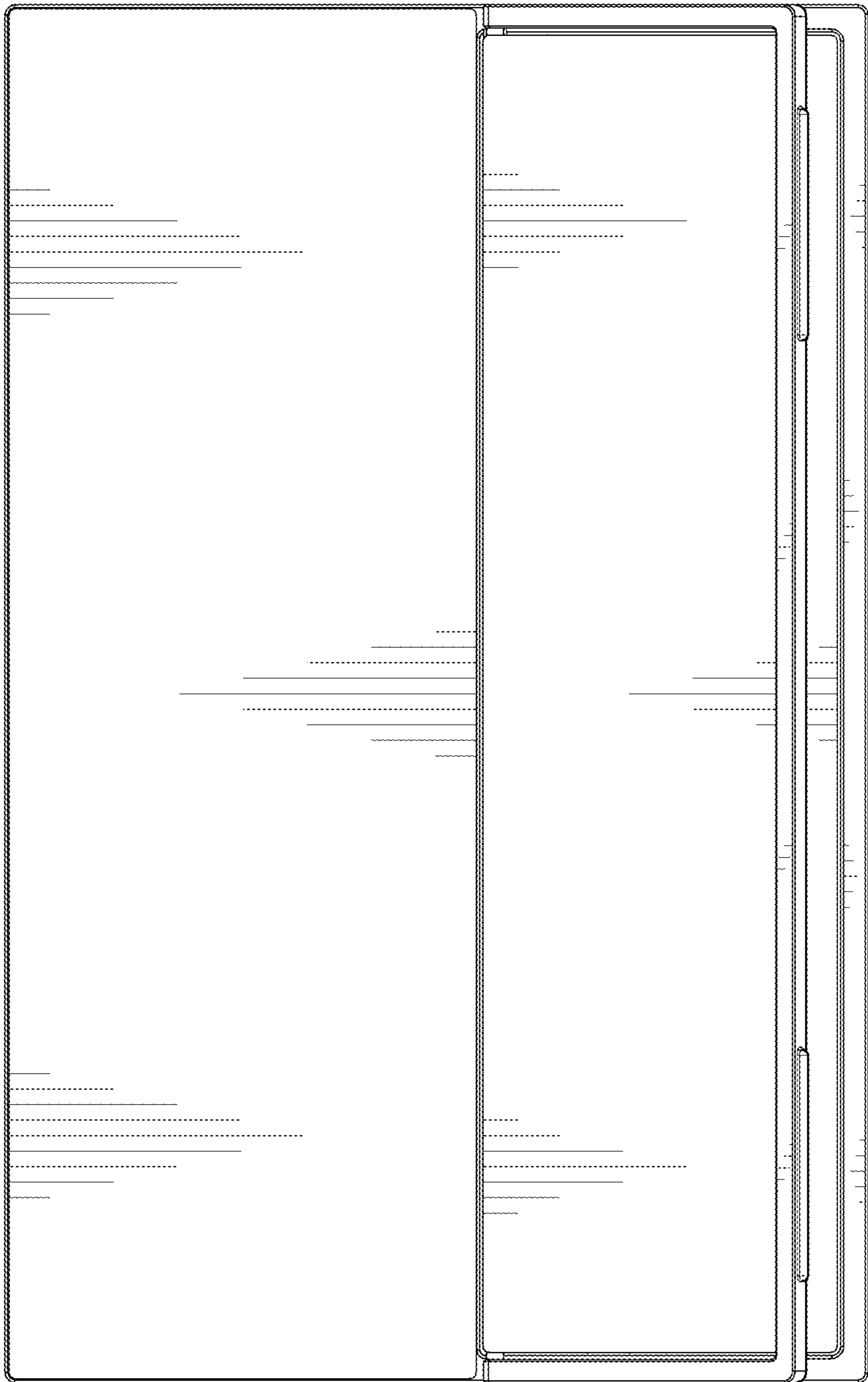


FIG. 3

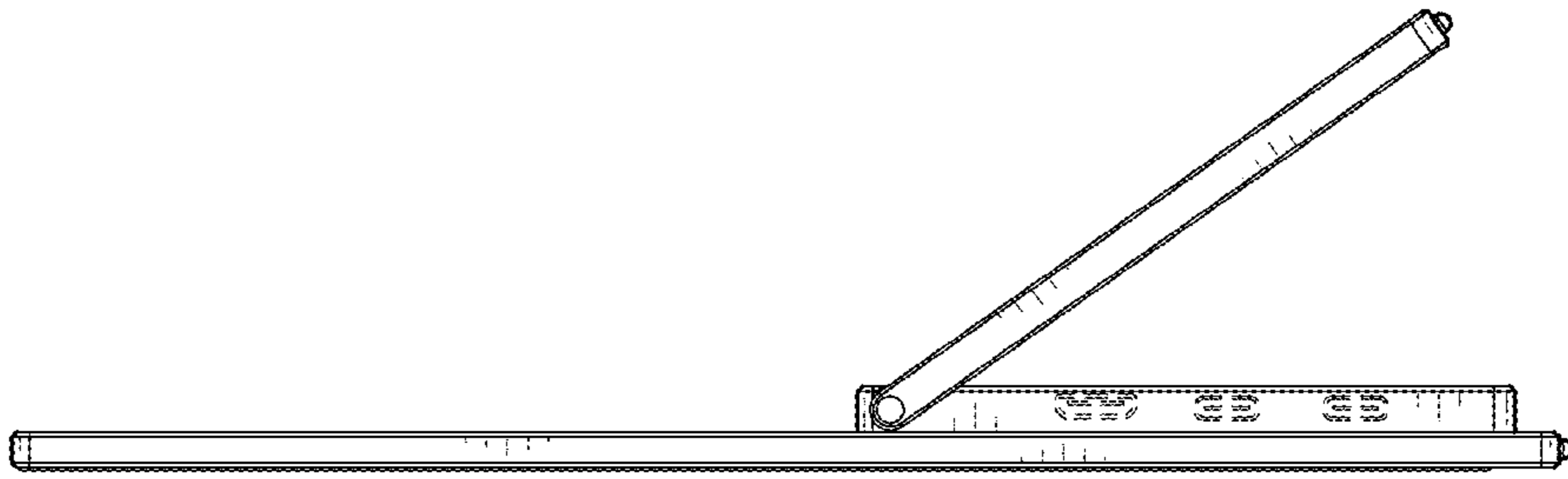


FIG. 5

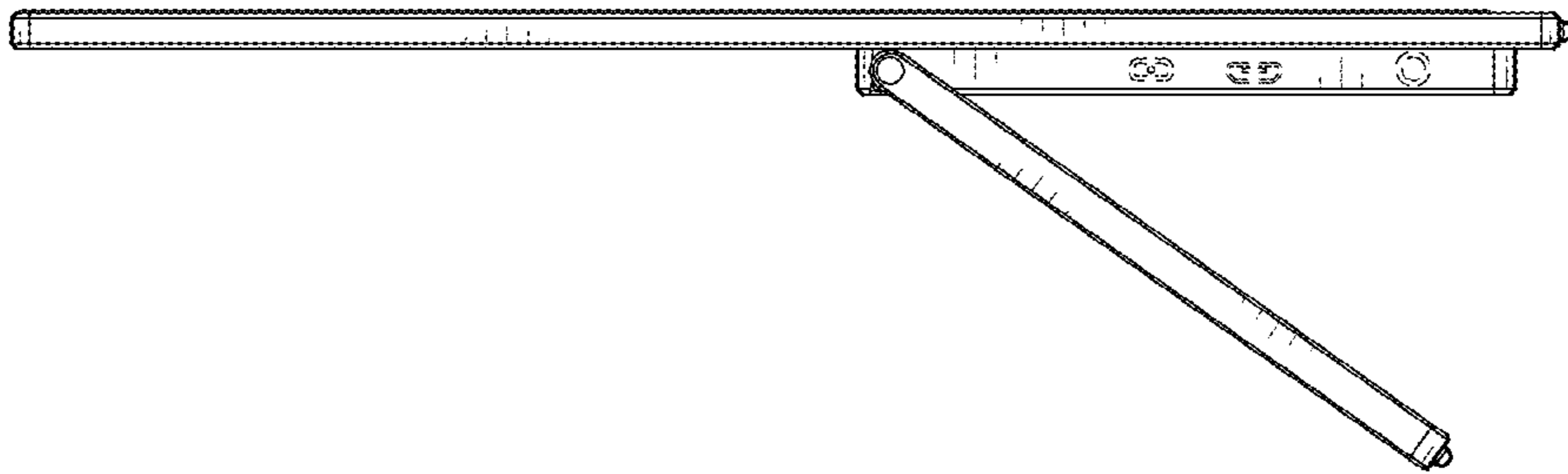


FIG. 4

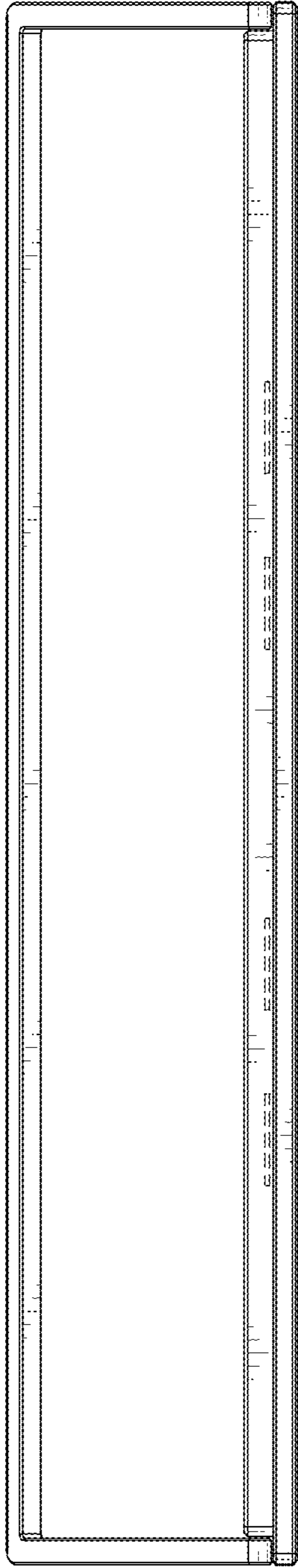


FIG. 6

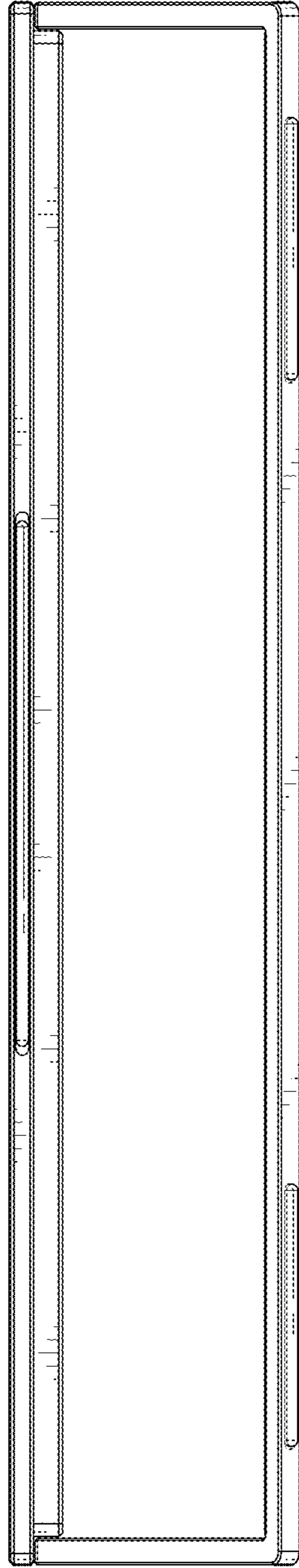


FIG. 7

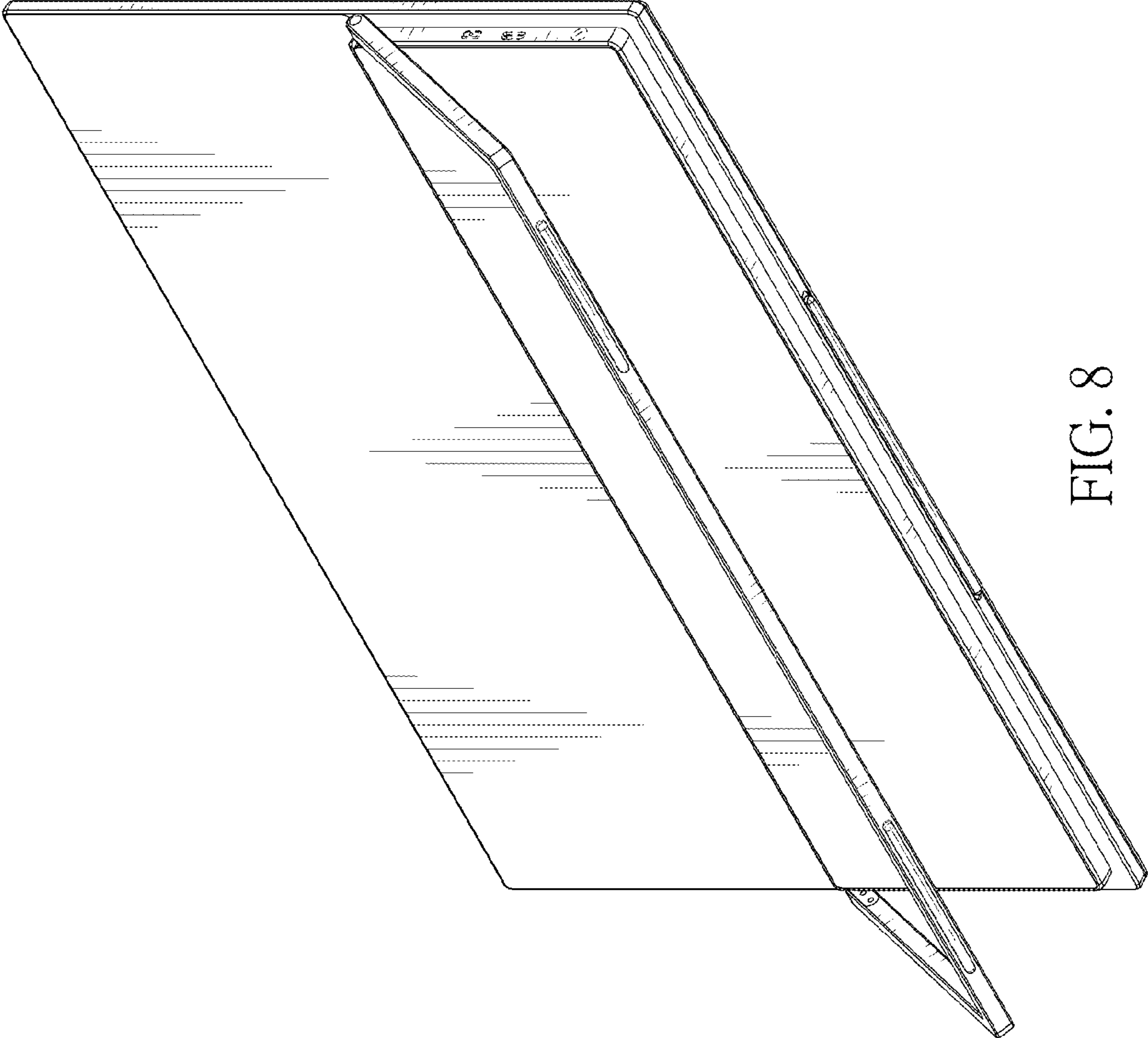


FIG. 8