



US00D963644S

(12) **United States Design Patent**  
**Zhu**

(10) **Patent No.:** **US D963,644 S**

(45) **Date of Patent:** **\*\* Sep. 13, 2022**

(54) **HEAD STRAP**

(71) Applicant: **Lingsheng Zhu**, Yongzhou (CN)

(72) Inventor: **Lingsheng Zhu**, Yongzhou (CN)

(\*\*) Term: **15 Years**

(21) Appl. No.: **29/820,227**

(22) Filed: **Dec. 21, 2021**

(51) **LOC (13) Cl.** ..... **14-02**

(52) **U.S. Cl.**  
USPC ..... **D14/372**

(58) **Field of Classification Search**  
USPC ..... D14/372, 496, 432, 371, 125, 126, 129,  
D14/299; D16/300-342; 351/158, 153,  
351/144; 345/7-9, 905; 455/344;  
348/115, 53, 121, 739  
CPC ..... G02B 27/017; G02B 27/0158; G02B  
27/0161; G02B 27/0181; G02B 27/0185;  
G02B 27/0189

See application file for complete search history.

(56) **References Cited**

**U.S. PATENT DOCUMENTS**

D809,517 S \* 2/2018 Sakata ..... D14/372  
D812,278 S 3/2018 Pontano et al.  
D885,383 S \* 5/2020 Chang ..... D14/372

D918,200 S 5/2021 Natsume et al.  
D924,234 S \* 7/2021 Meng ..... D14/372  
D928,151 S \* 8/2021 Hu ..... D14/372  
D939,017 S \* 12/2021 Liang ..... D16/339  
D957,390 S \* 7/2022 Fang ..... D14/372  
D957,391 S \* 7/2022 Roig ..... D14/372  
D957,392 S \* 7/2022 Roig ..... D14/372

\* cited by examiner

*Primary Examiner* — Austin Murphy

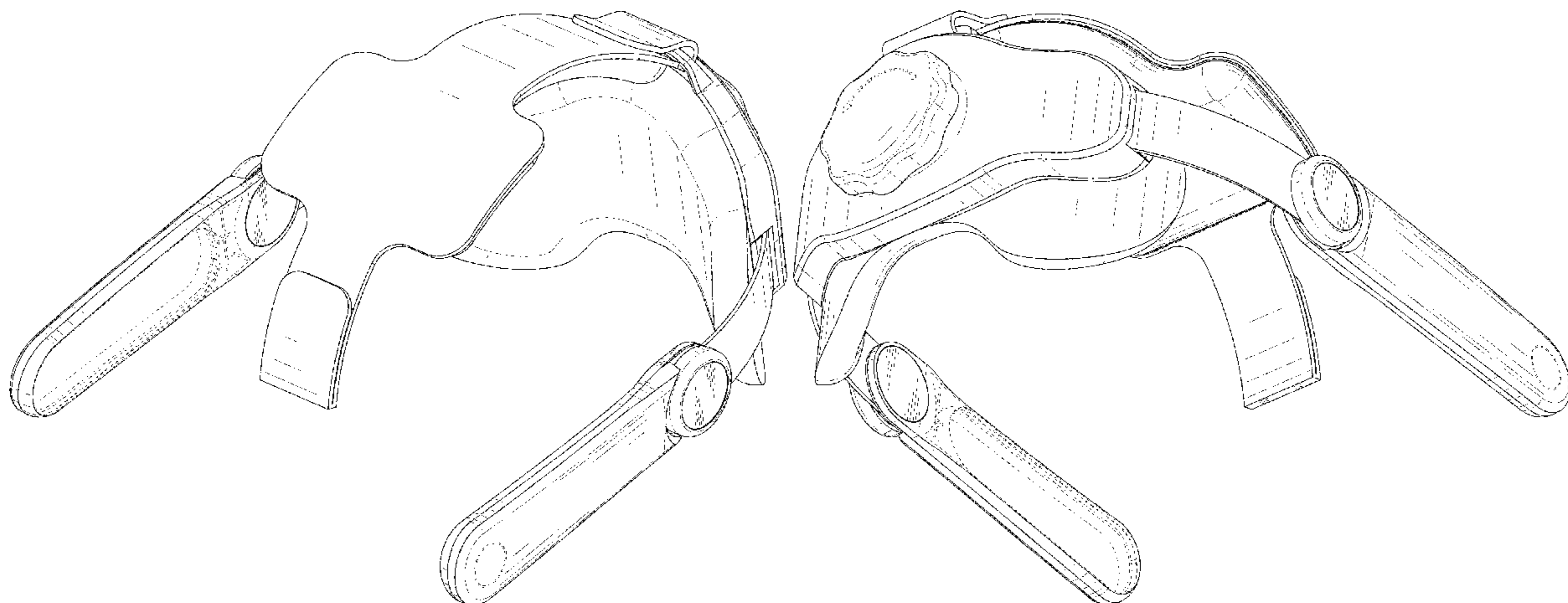
(57) **CLAIM**

The ornamental design for a head strap, as shown and described.

**DESCRIPTION**

FIG. 1 is a perspective view of a head strap showing my new design;  
FIG. 2 is another perspective view thereof;  
FIG. 3 is a front elevational view thereof;  
FIG. 4 is a rear elevational view thereof;  
FIG. 5 is a left side elevational view thereof;  
FIG. 6 is a right side elevational view thereof;  
FIG. 7 is a top plan view thereof;  
FIG. 8 is a bottom plan view thereof; and,  
FIG. 9 is a perspective view of the head strap where the head strap is in a configuration of use.  
The broken lines in the FIGS. 1-8 depict portions of the head strap that form no part of the claimed design. The other broken lines in the FIG. 9 represent environment subject matter only and form no part of the claimed design.

**1 Claim, 9 Drawing Sheets**



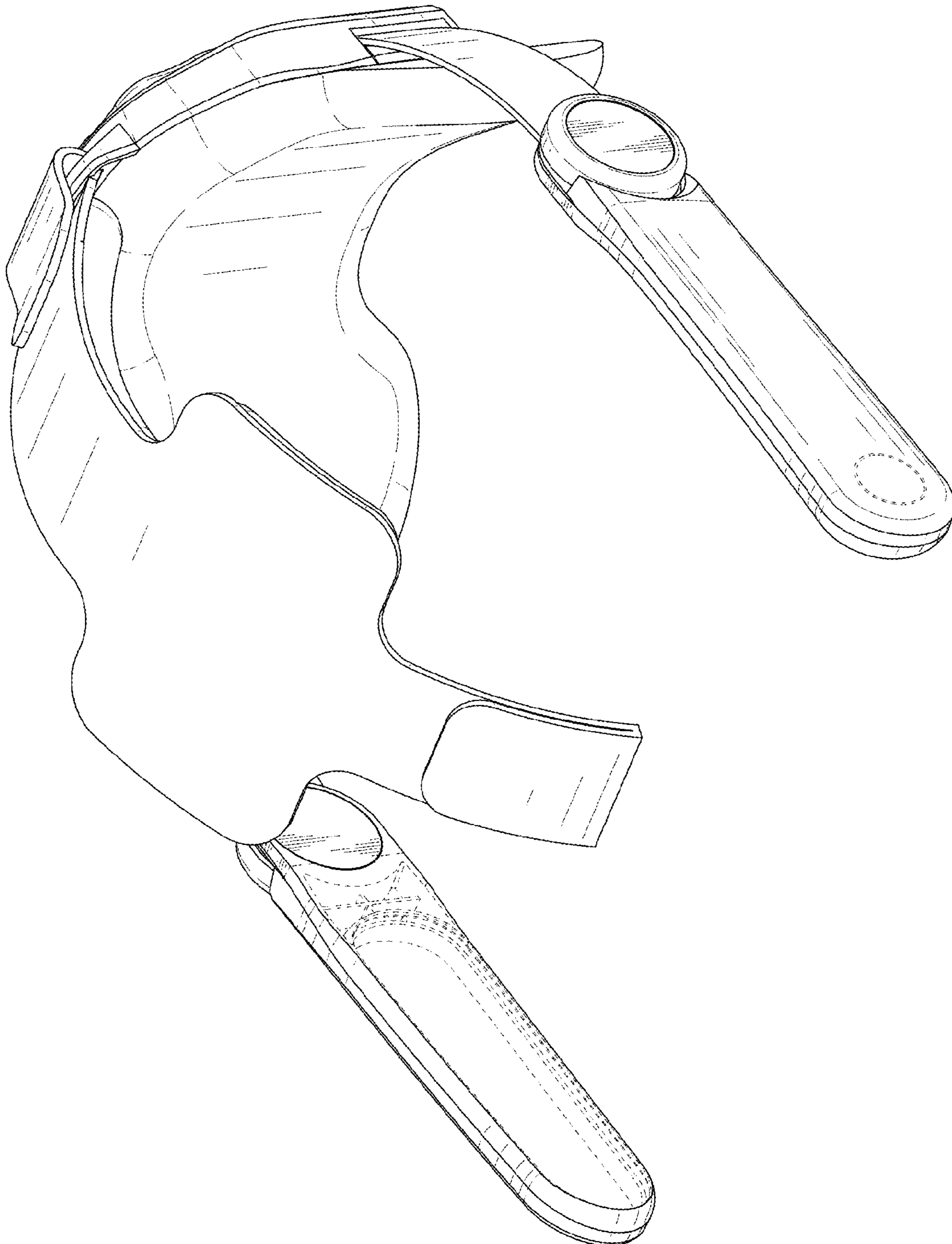


FIG. 1

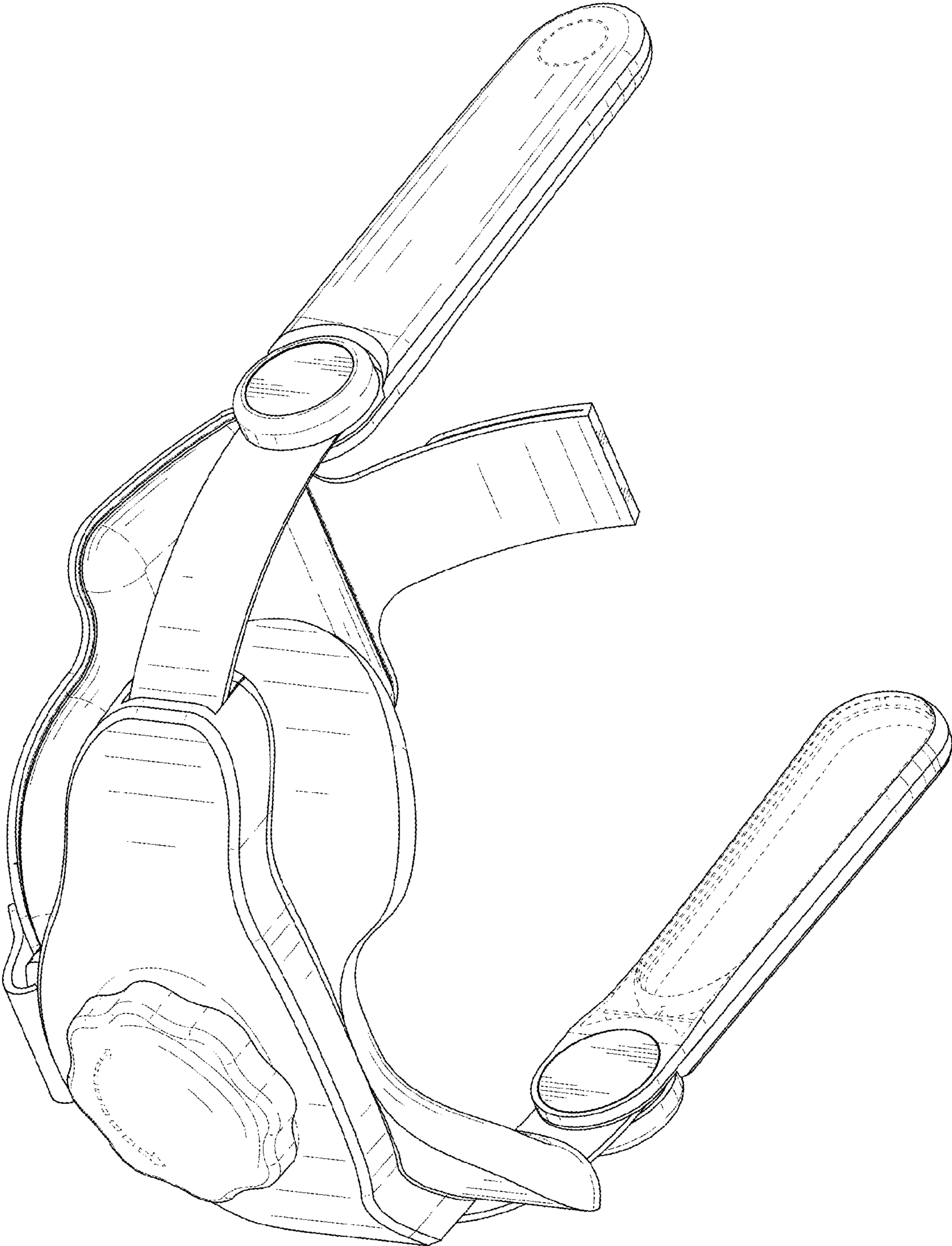


FIG. 2

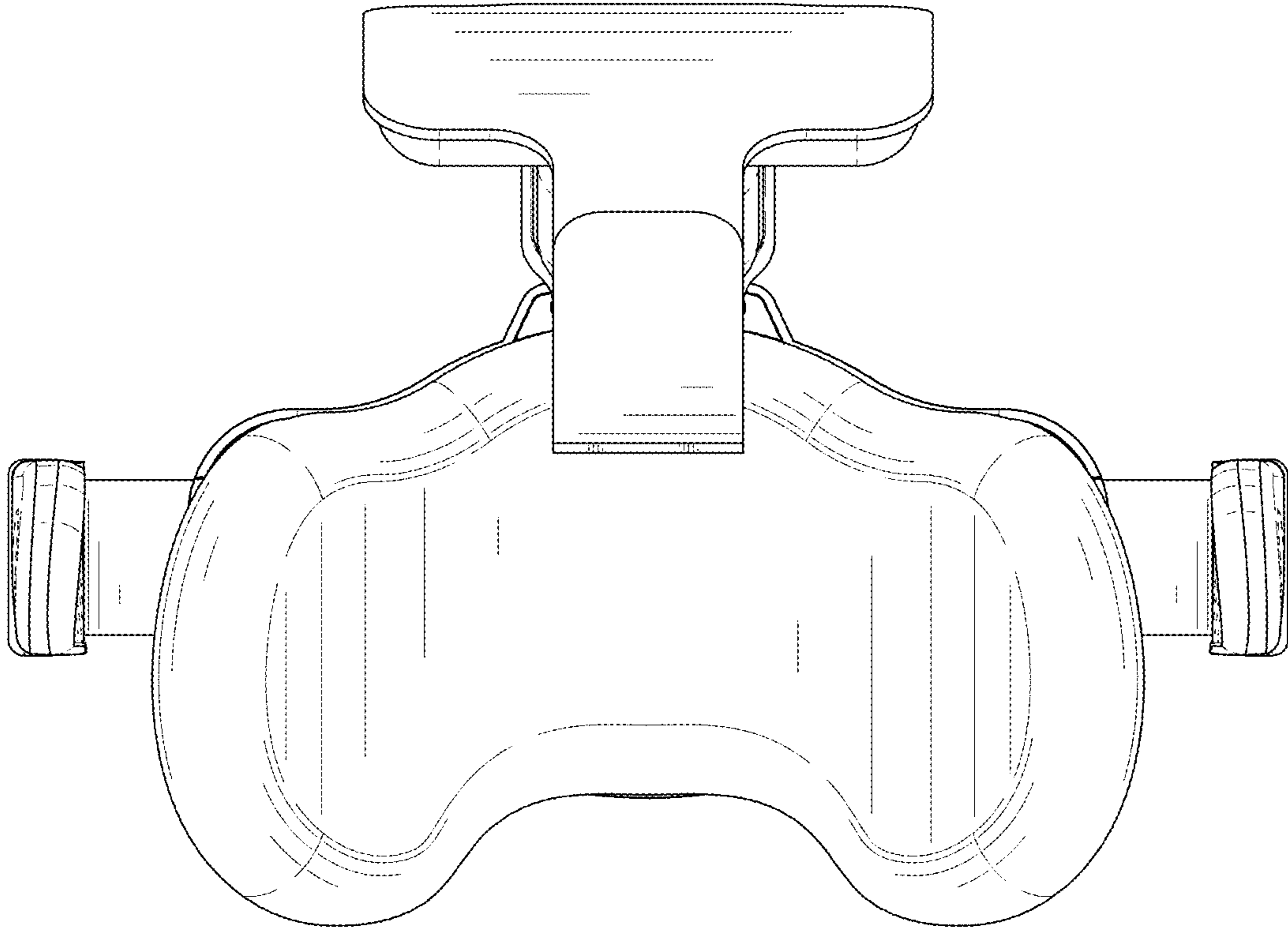


FIG. 3

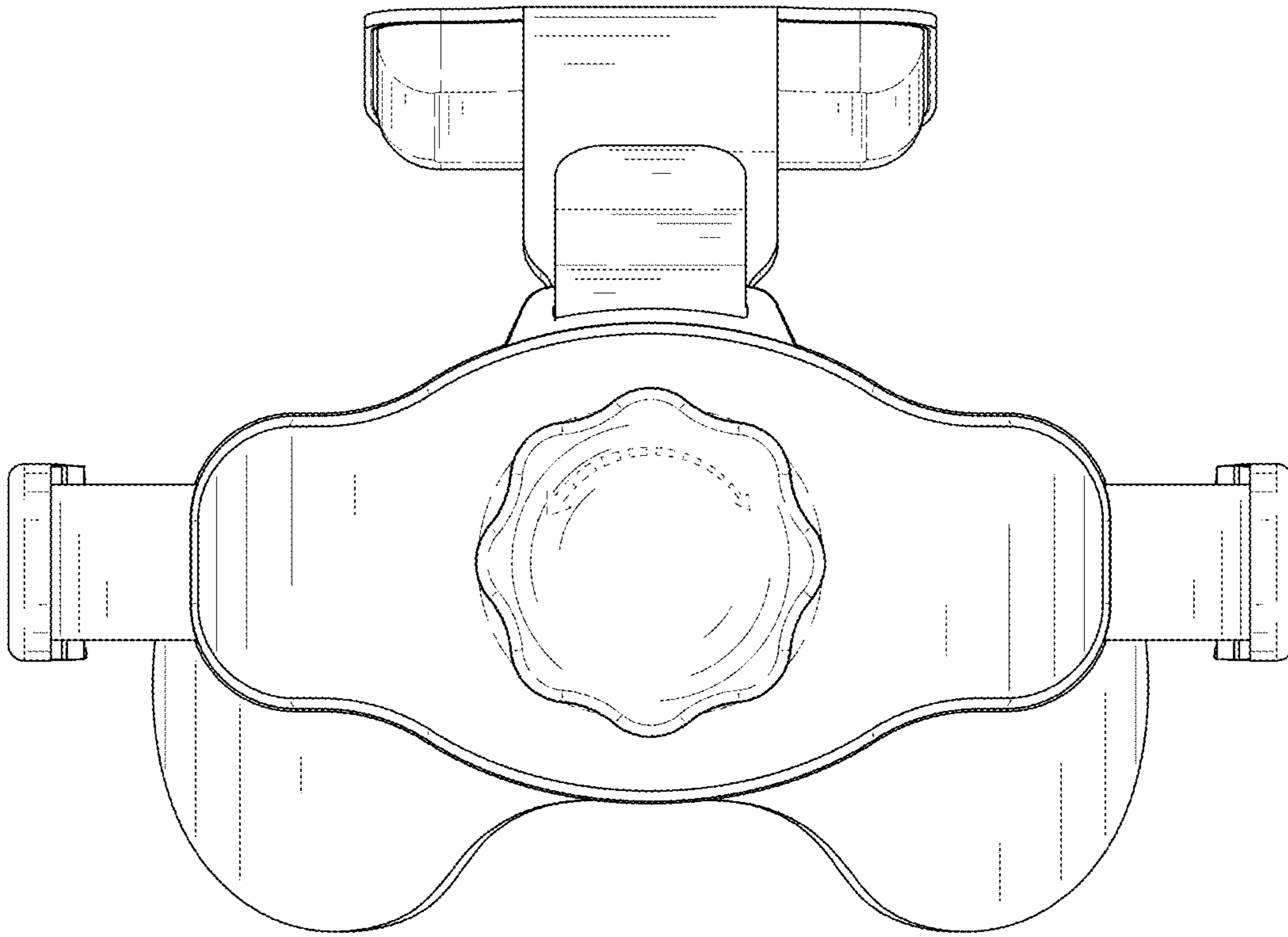


FIG. 4

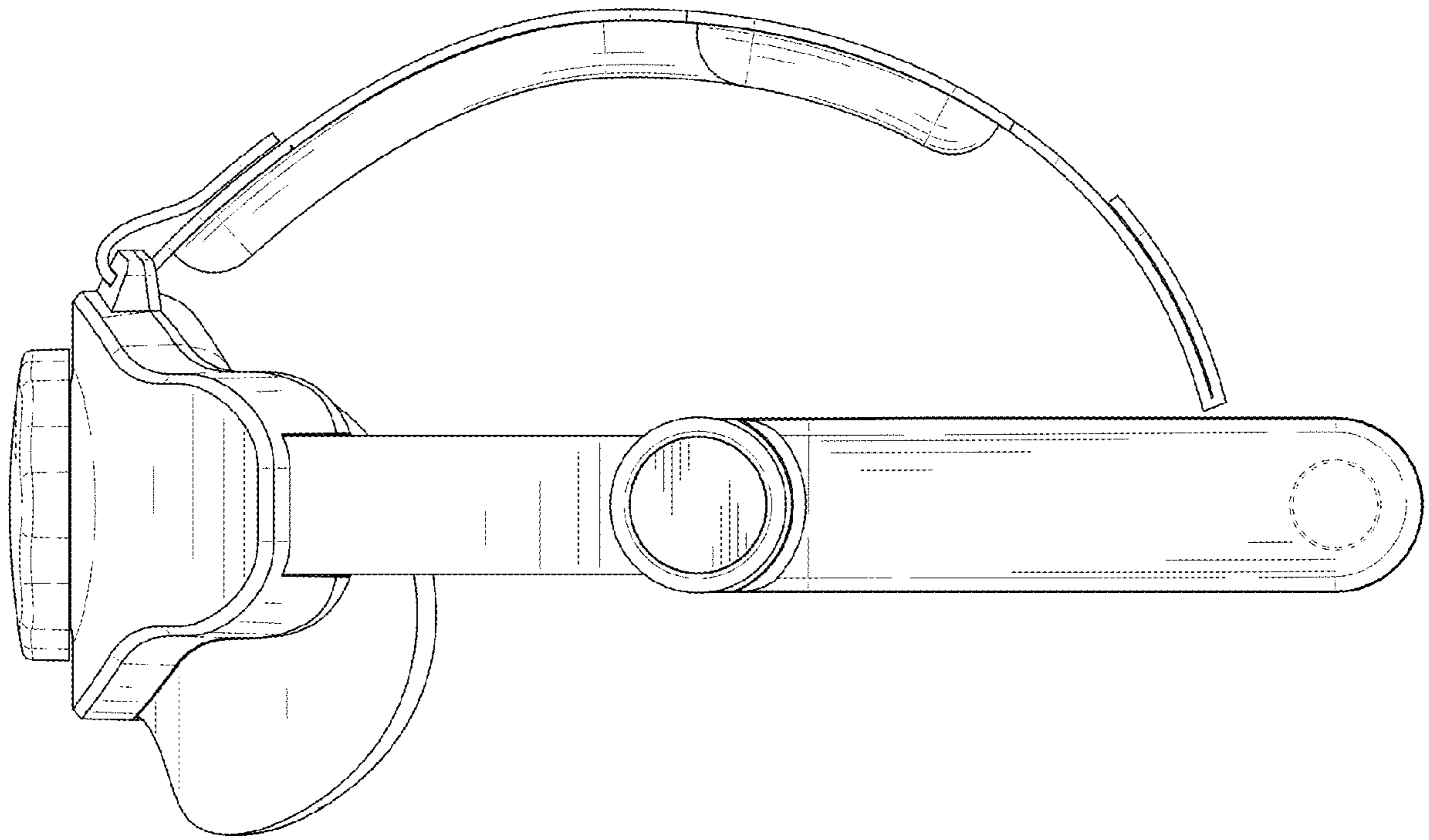


FIG. 5

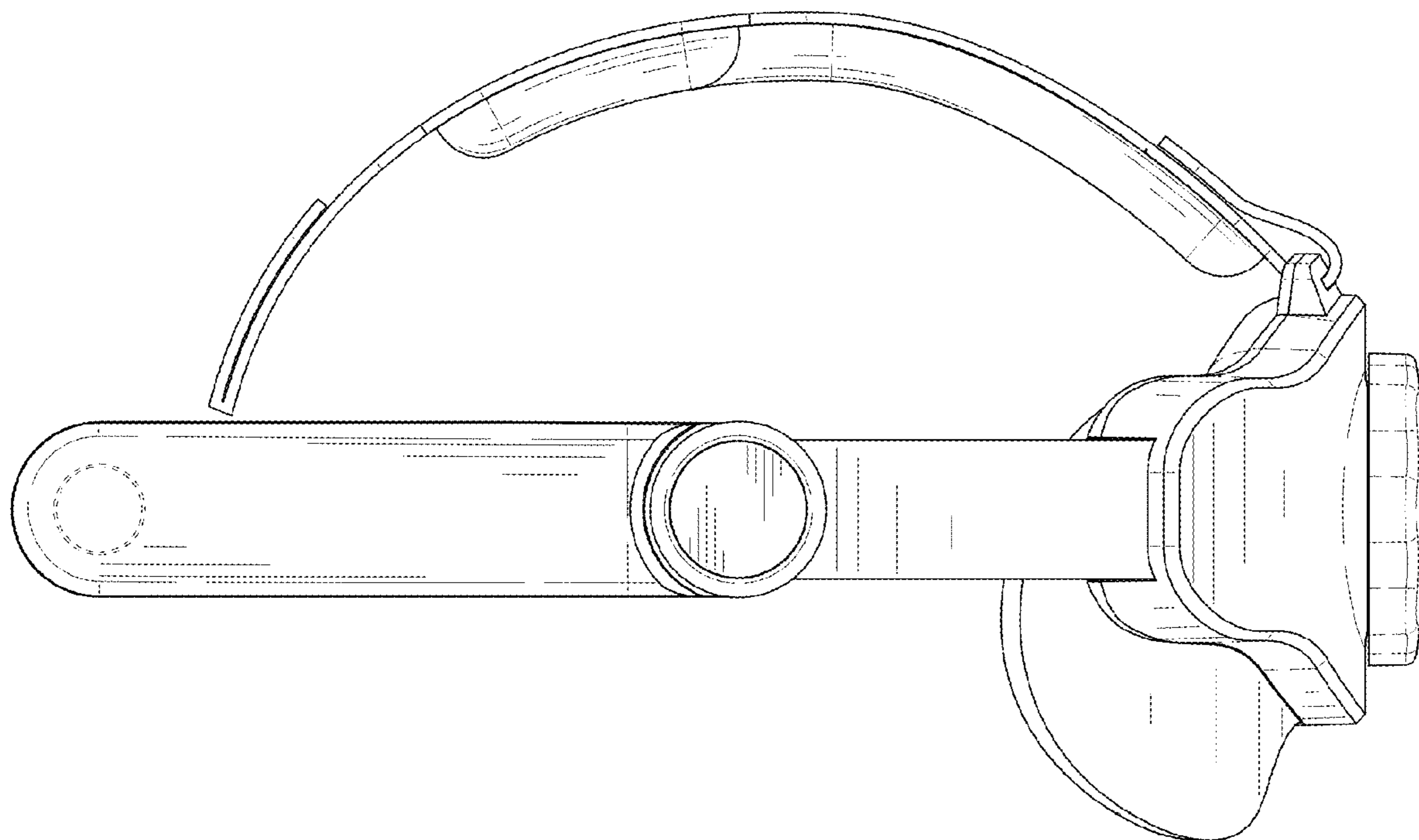


FIG. 6

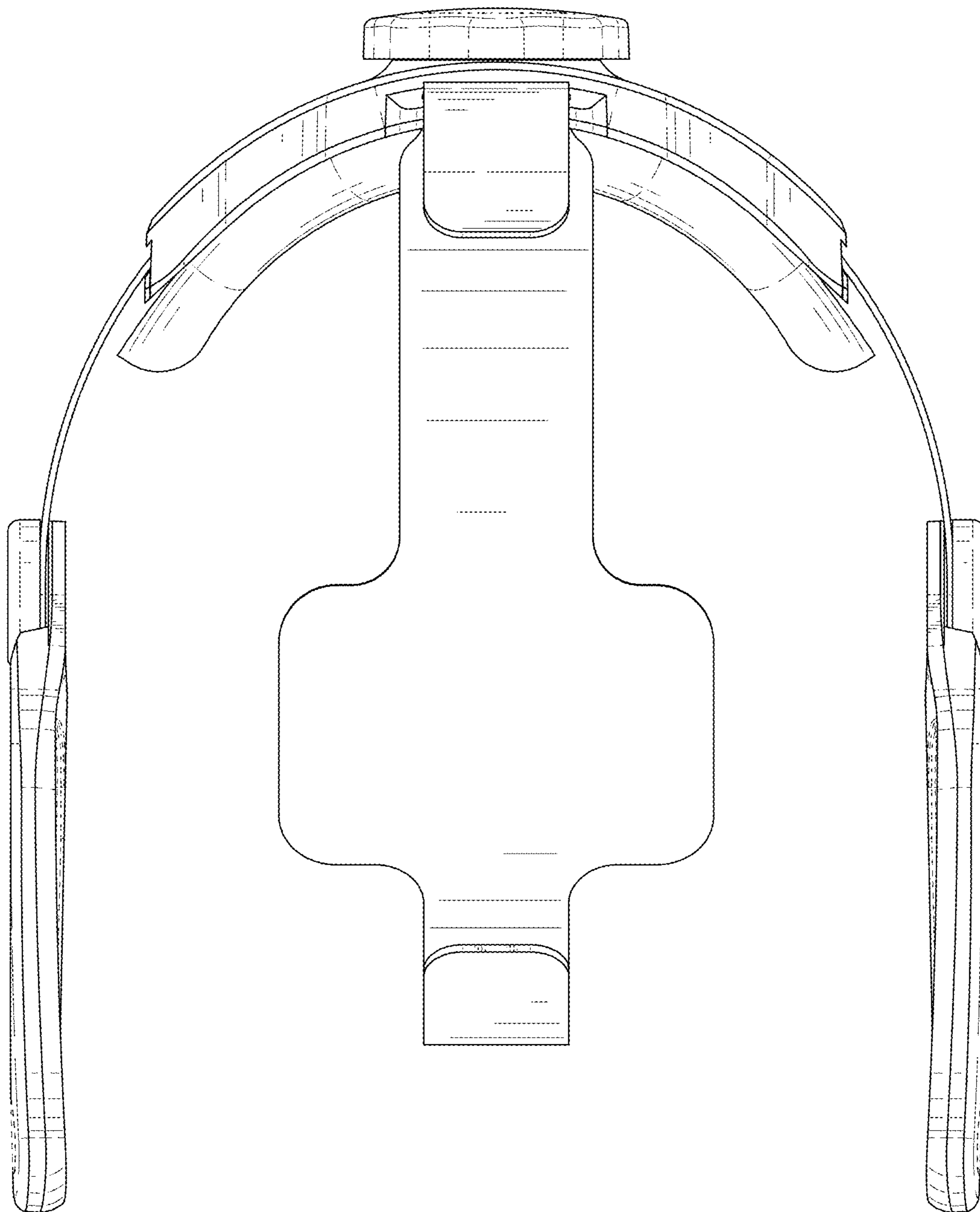


FIG. 7



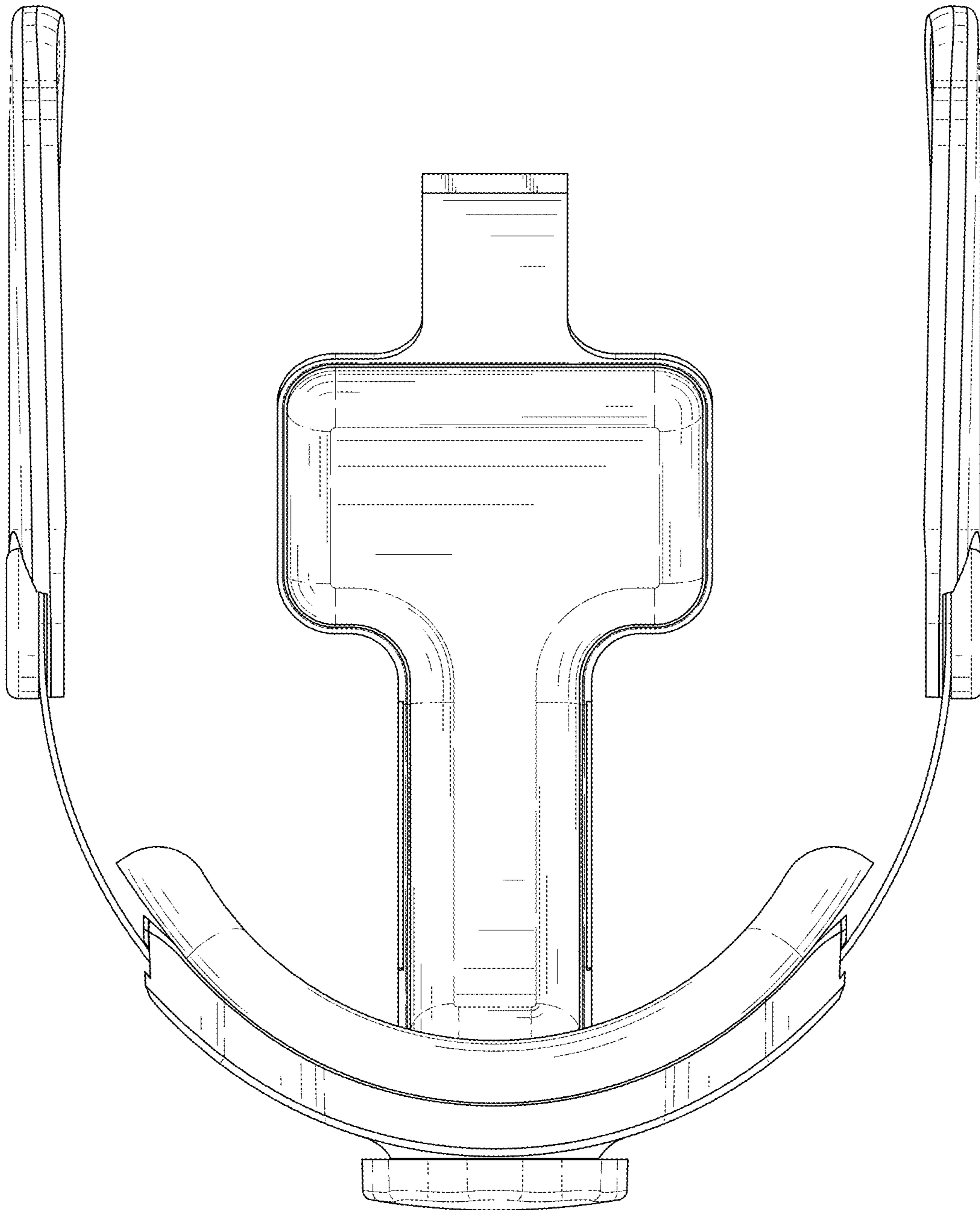


FIG. 8

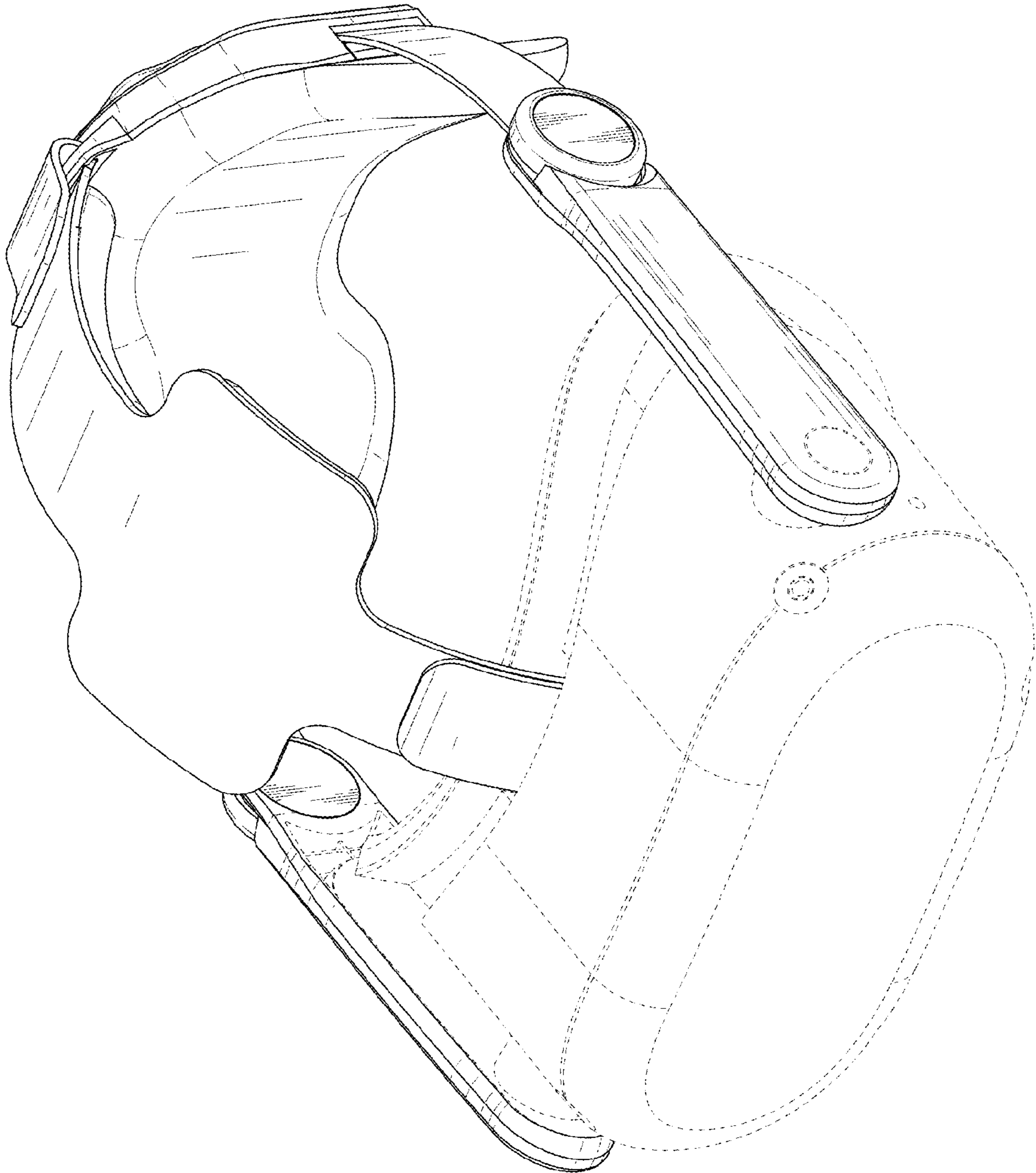


FIG. 9