



US00D963642S

(12) **United States Design Patent**
Zhu

(10) **Patent No.:** **US D963,642 S**

(45) **Date of Patent:** **** Sep. 13, 2022**

(54) **HEAD STRAP**

(71) Applicant: **Lingsheng Zhu**, Yongzhou (CN)

(72) Inventor: **Lingsheng Zhu**, Yongzhou (CN)

(**) Term: **15 Years**

(21) Appl. No.: **29/812,372**

(22) Filed: **Oct. 21, 2021**

(51) **LOC (13) Cl.** **14-02**

(52) **U.S. Cl.**
USPC **D14/372**

(58) **Field of Classification Search**
USPC D14/372, 496, 432, 371, 125, 126, 129,
D14/299; D16/300-342; 351/158, 153,
351/144; 345/7-9, 905; 455/344;
348/115, 53, 121, 739
CPC G02B 27/017; G02B 27/0158; G02B
27/0161; G02B 27/0181; G02B 27/0185;
G02B 27/0189

See application file for complete search history.

(56) **References Cited**

U.S. PATENT DOCUMENTS

D761,257 S *	7/2016	Passmore	D14/372
D791,128 S *	7/2017	Sullivan	D14/372
D809,517 S *	2/2018	Sakata	D14/372
D812,278 S	3/2018	Pontano et al.	
D885,383 S *	5/2020	Chang	D14/372
D889,464 S *	7/2020	Wang	D14/372
D904,402 S *	12/2020	Marquis	D14/372
D916,702 S *	4/2021	Newsom	D14/372
D918,200 S	5/2021	Natsume et al.	
D924,234 S *	7/2021	Meng	D14/372
D925,530 S *	7/2021	Morris	D14/372

D928,151 S *	8/2021	Hu	D14/372
D932,488 S *	10/2021	Huang	D14/372
D937,262 S *	11/2021	Chi	D14/372
D939,017 S *	12/2021	Liang	D16/339
D949,858 S *	4/2022	Nishimura	D29/103
D956,747 S *	7/2022	Huang	D14/372
D957,390 S *	7/2022	Fang	D14/372
D957,391 S *	7/2022	Roig	D14/372
D957,392 S *	7/2022	Roig	D14/372

* cited by examiner

Primary Examiner — Austin Murphy

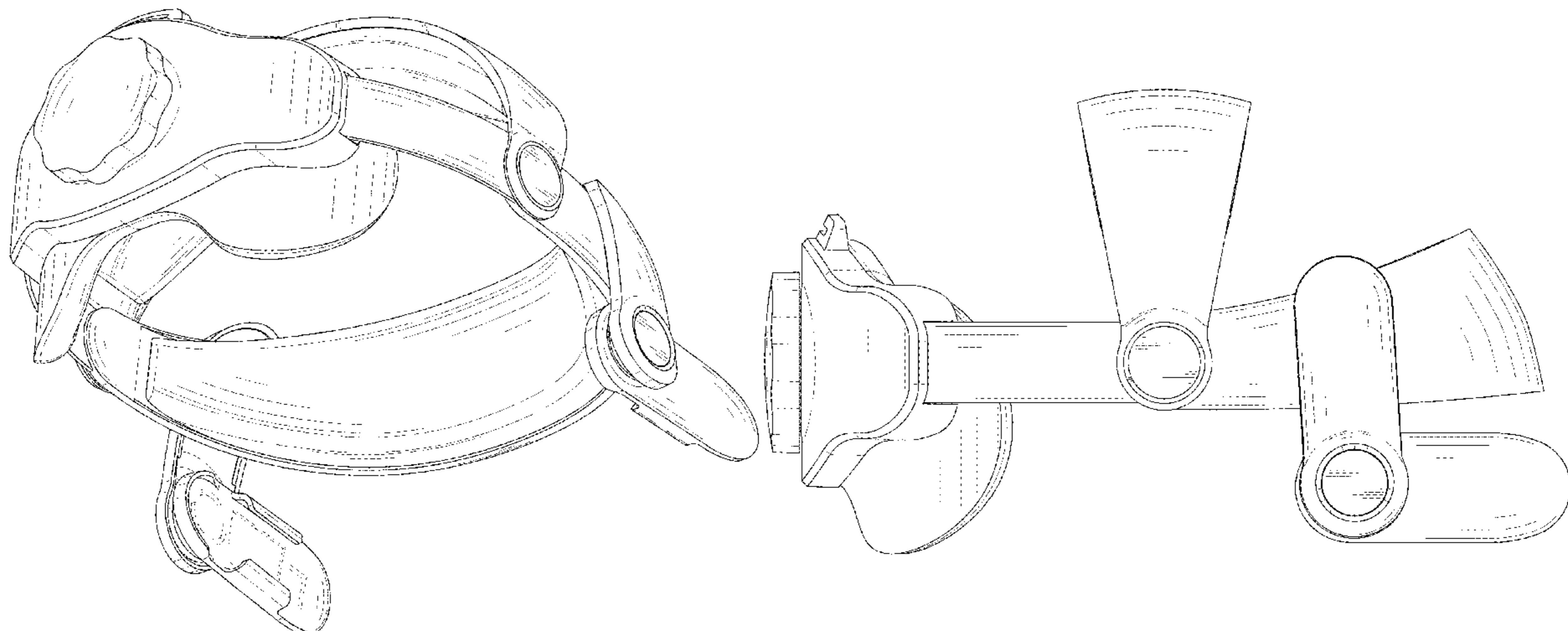
(57) **CLAIM**

The ornamental design for a head strap, as shown and described.

DESCRIPTION

FIG. 1 is a perspective view of a head strap showing my new design;
 FIG. 2 is another perspective view thereof;
 FIG. 3 is a front elevational view thereof;
 FIG. 4 is a rear elevational view thereof;
 FIG. 5 is a left side elevational view thereof;
 FIG. 6 is a right side elevational view thereof;
 FIG. 7 is a top plan view thereof;
 FIG. 8 is a bottom plan view thereof; and,
 FIG. 9 is a perspective view of the head strap where the head strap is in a configuration of use.
 The broken lines in the FIGS. 1-8 depict portions of the head strap that form no part of the claimed design. The other broken lines in the FIG. 9 represent environment subject matter only and form no part of the claimed design.

1 Claim, 9 Drawing Sheets



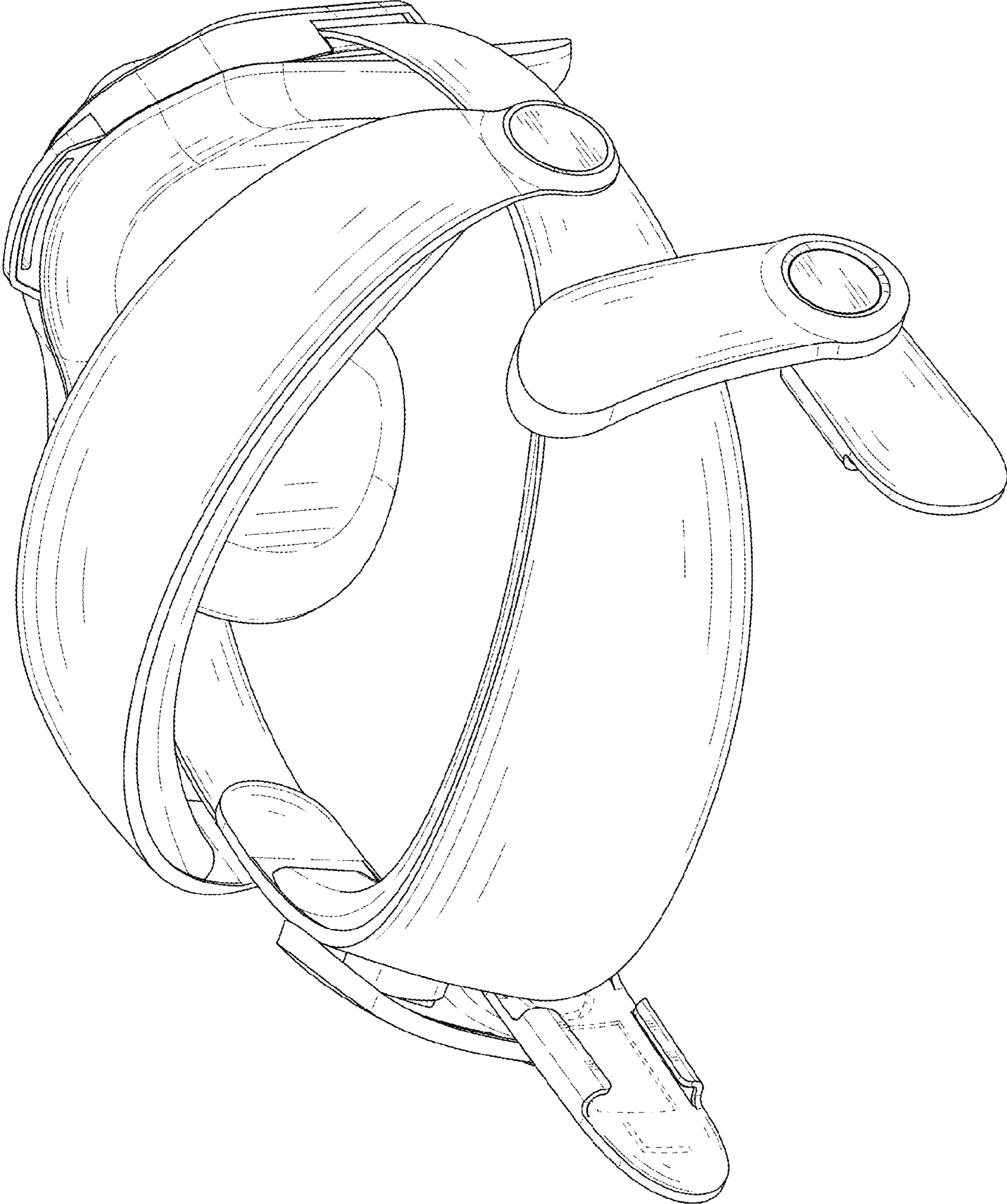


FIG. 1

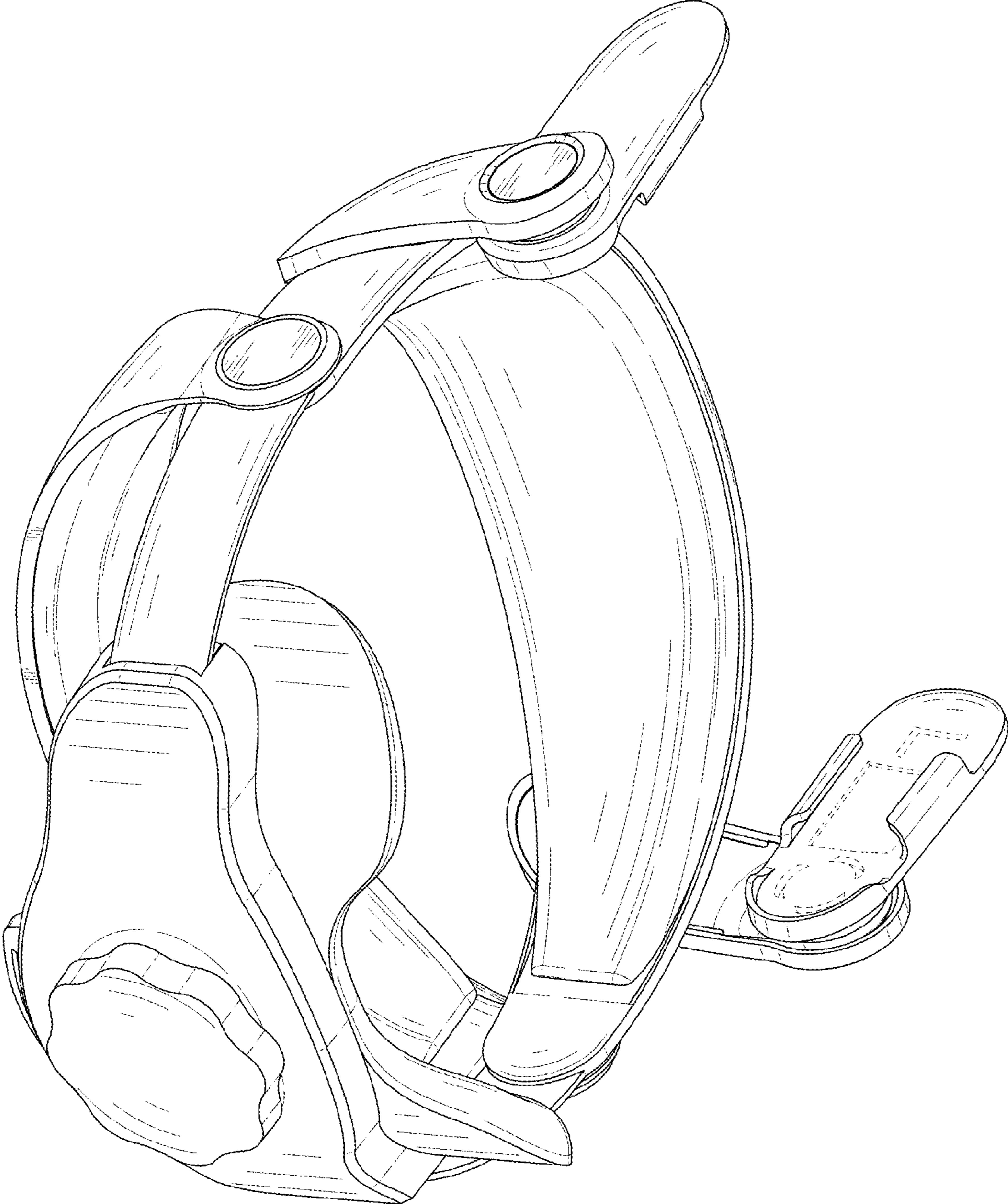


FIG. 2

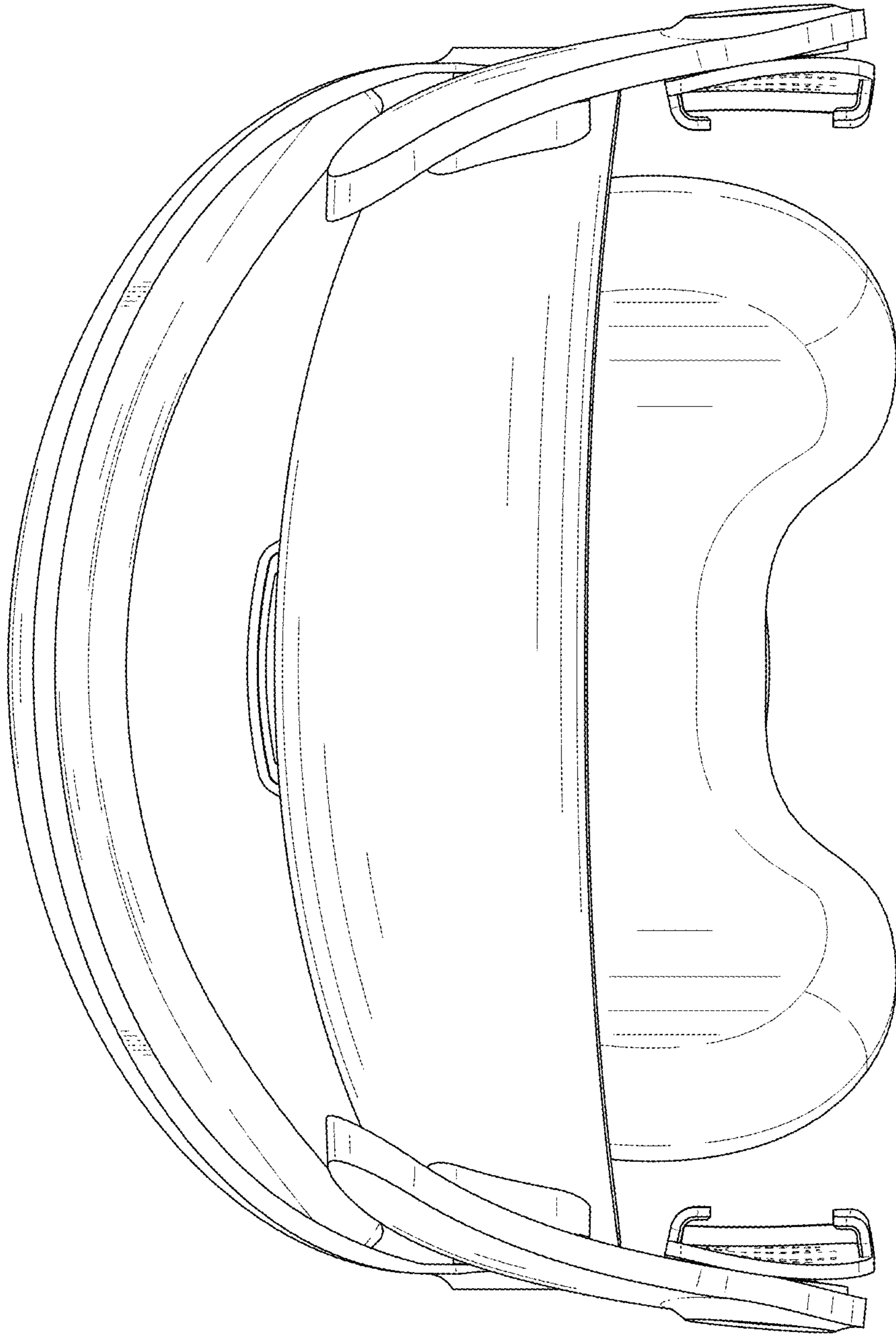


FIG. 3

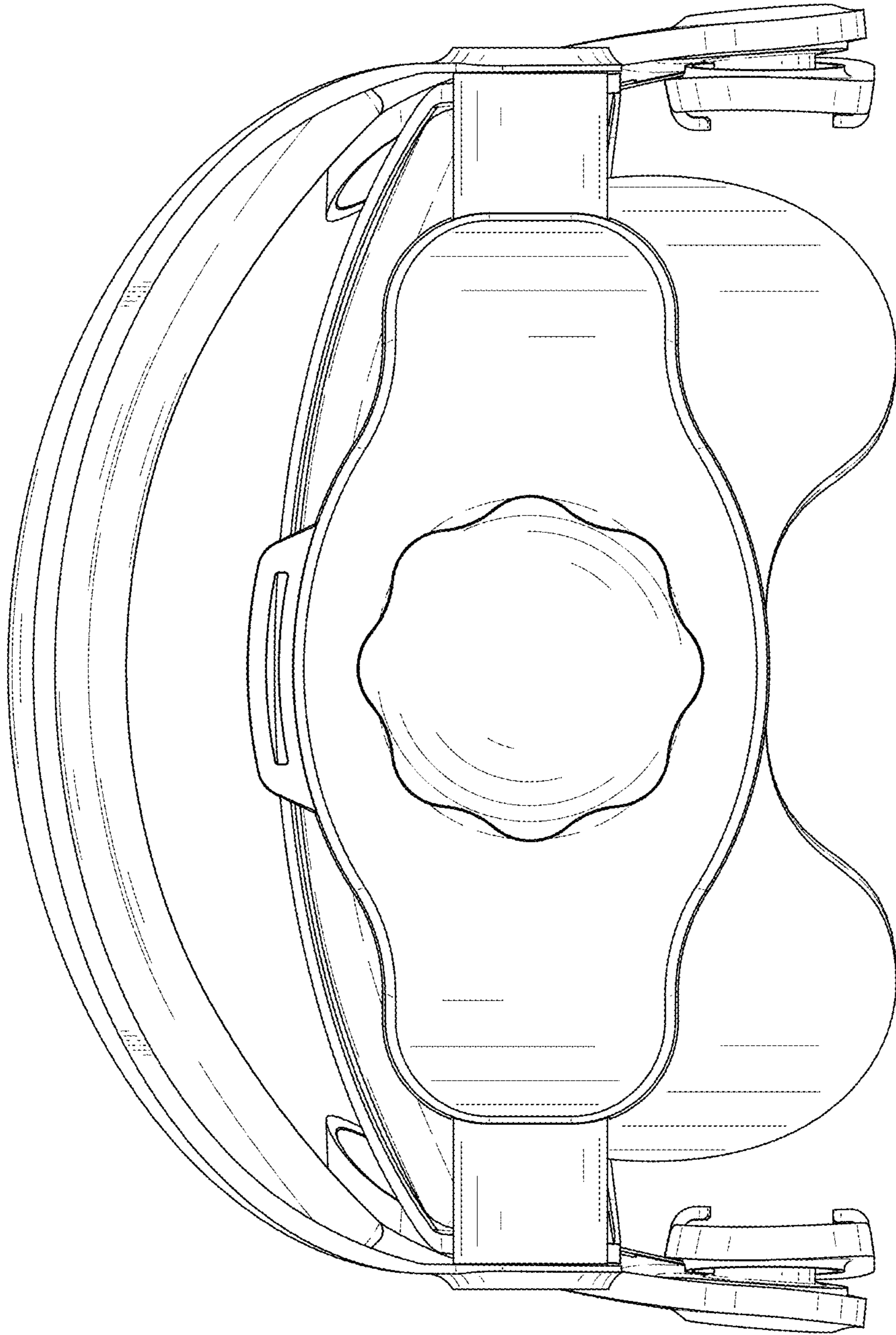


FIG. 4

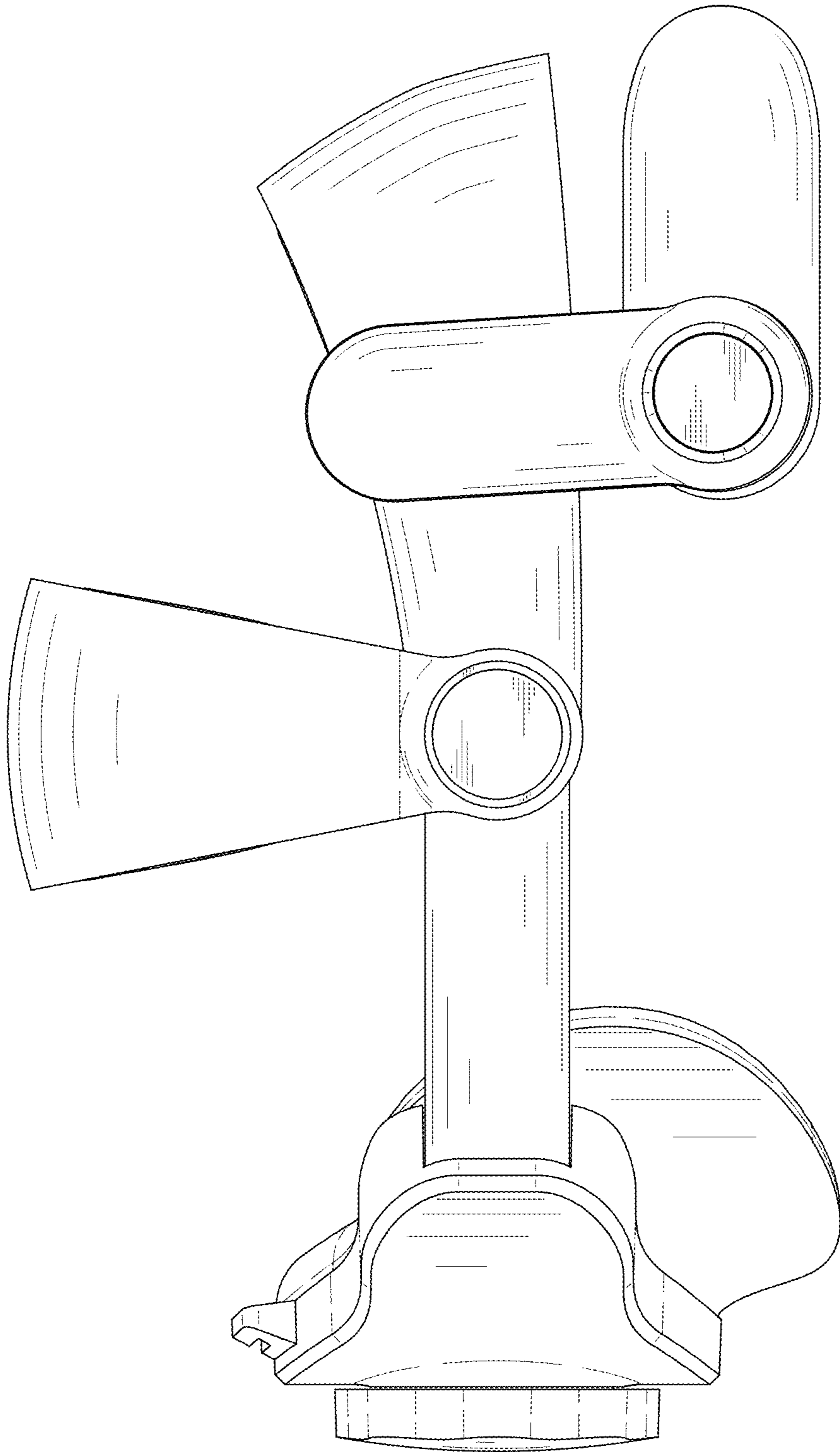


FIG. 5

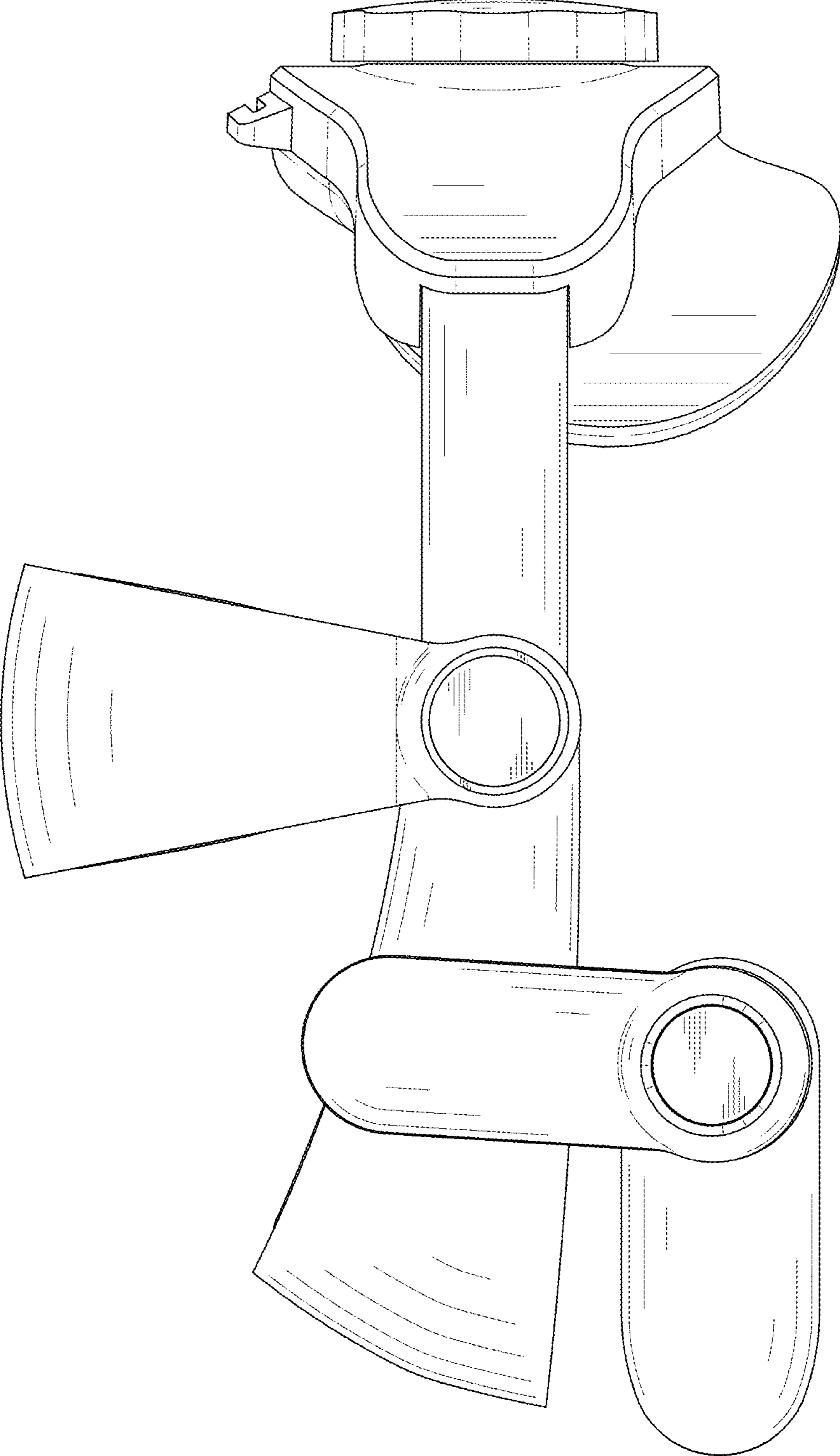


FIG. 6

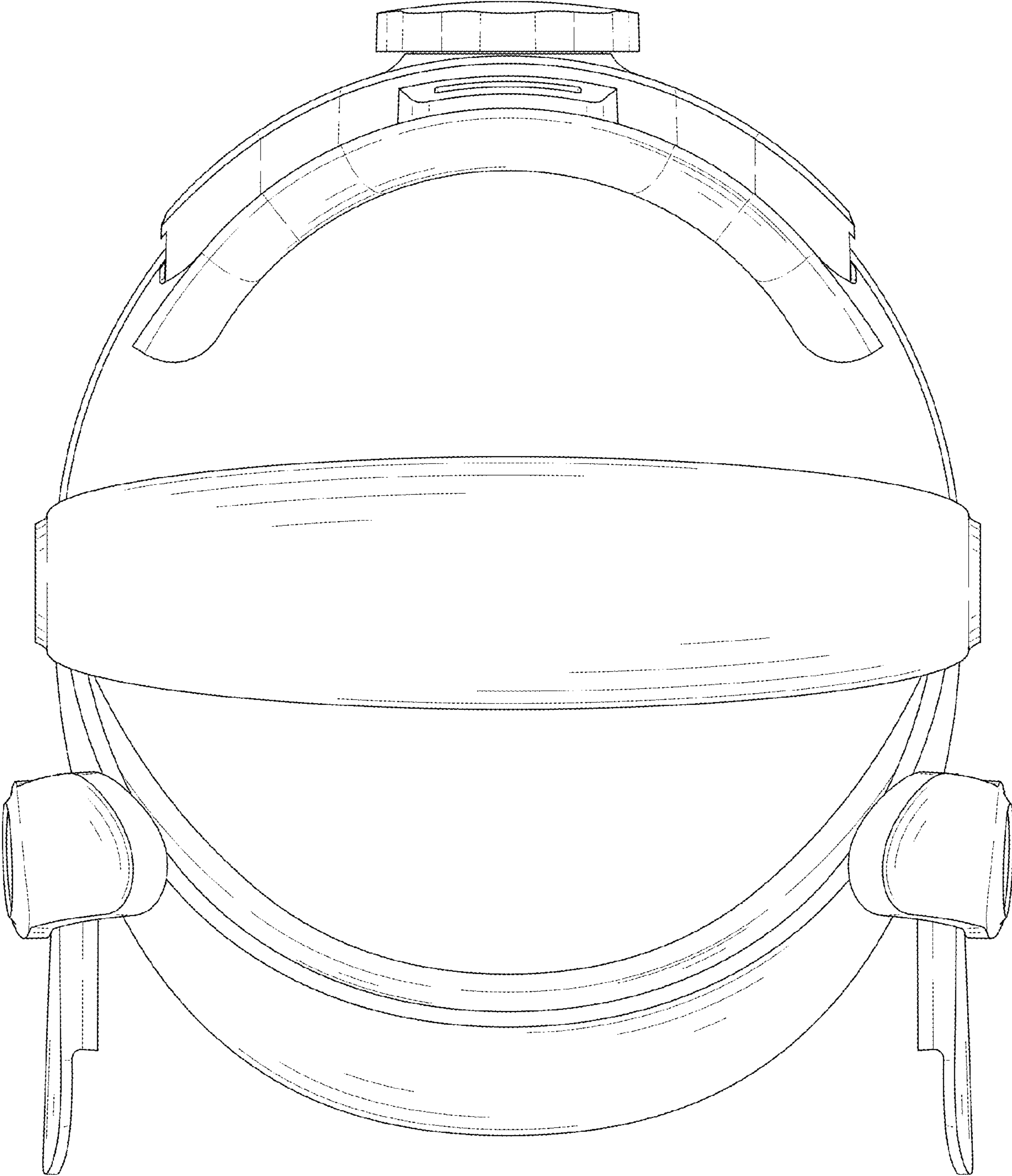


FIG. 7

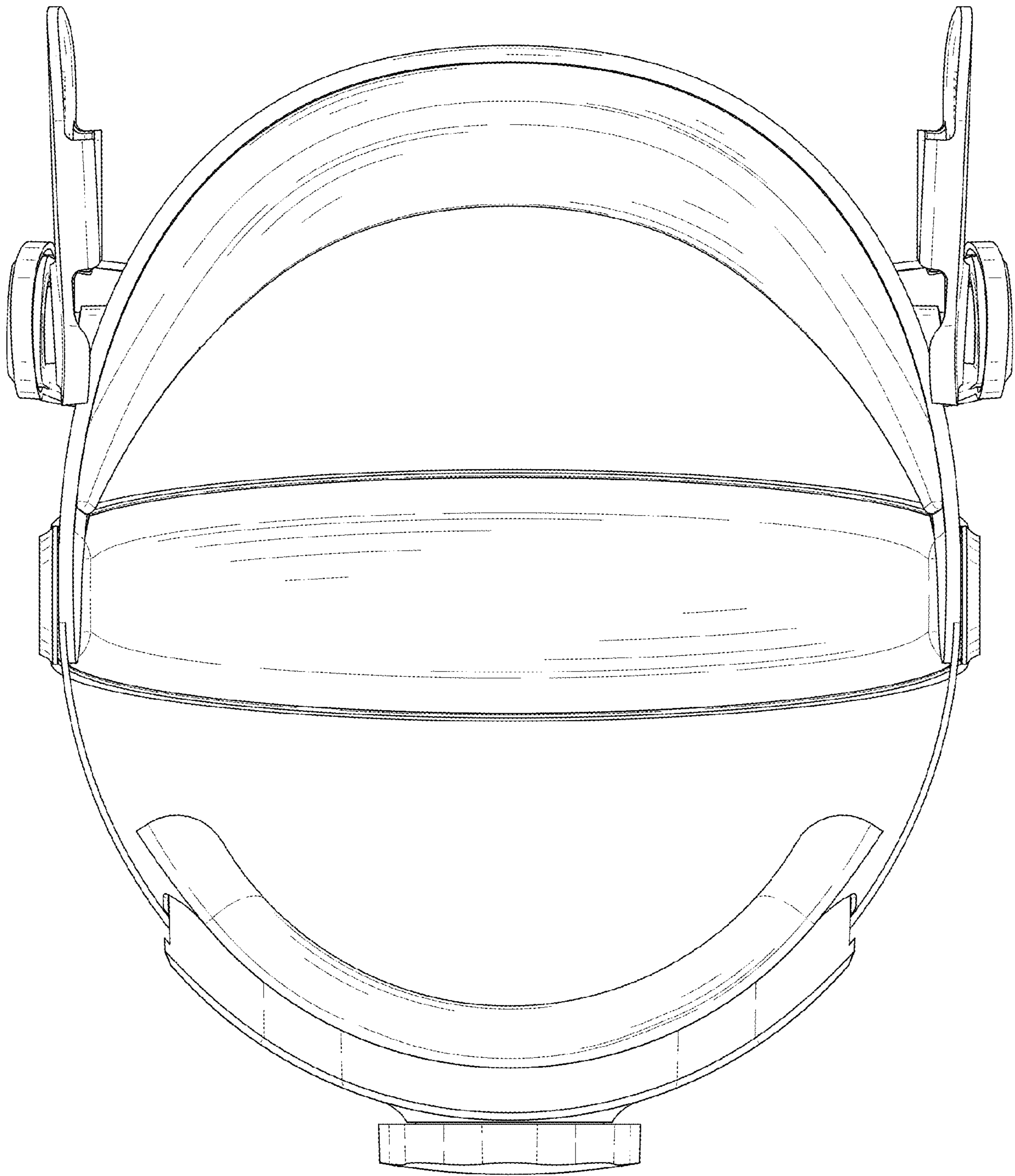


FIG. 8

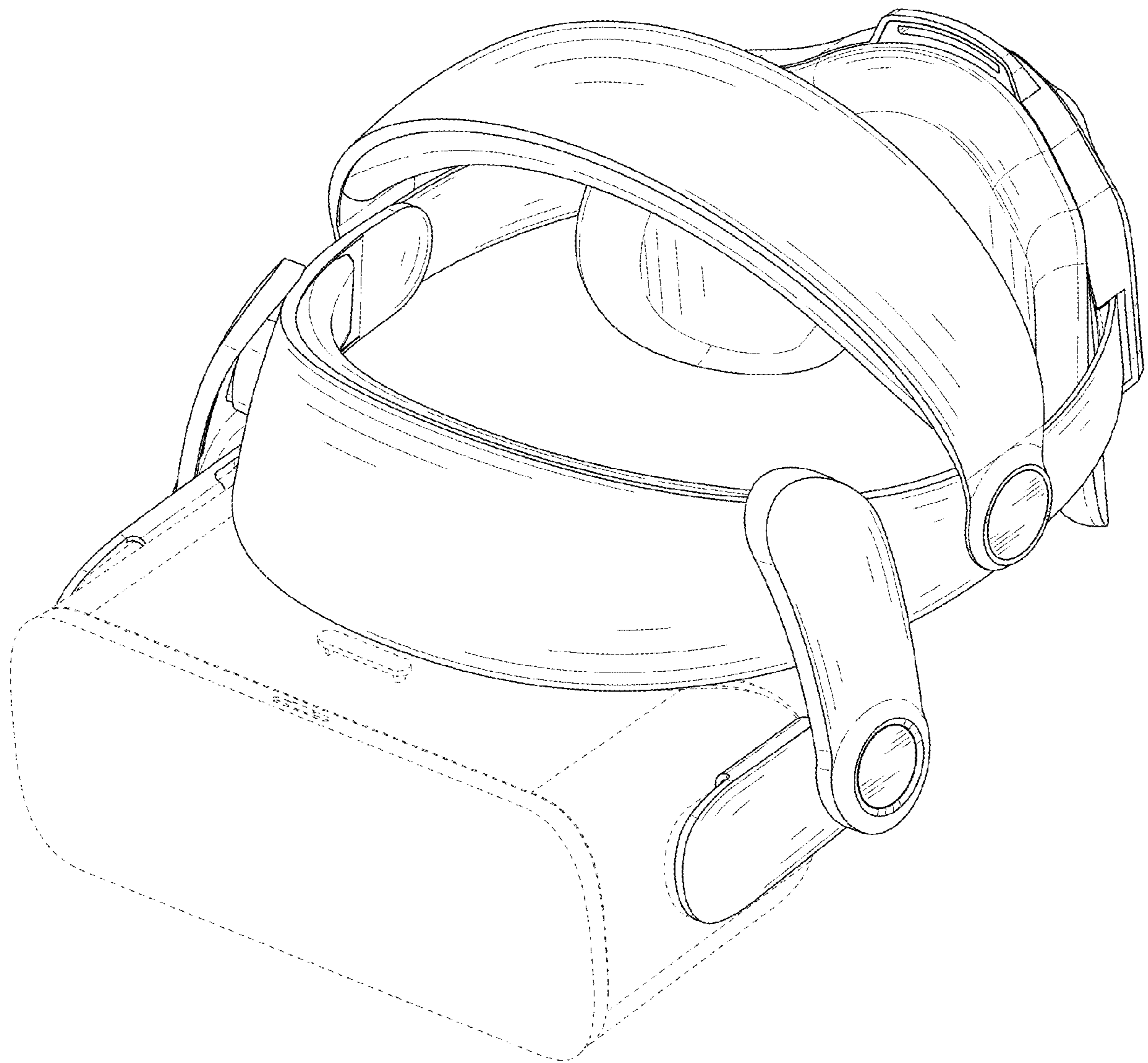


FIG. 9