



US00D963641S

(12) **United States Design Patent**
Kim et al.

(10) **Patent No.:** **US D963,641 S**
(45) **Date of Patent:** **** Sep. 13, 2022**

(54) **MONITOR**

(71) Applicant: **SAMSUNG ELECTRONICS CO., LTD.**, Suwon-si (KR)

(72) Inventors: **Ki-Hong Kim**, Suwon-si (KR);
Tae-Yeon Won, Suwon-si (KR)

(73) Assignee: **SAMSUNG ELECTRONICS CO., LTD.**, Gyeonggi-Do (KR)

(**) Term: **15 Years**

(21) Appl. No.: **29/725,797**

(22) Filed: **Feb. 27, 2020**

(30) **Foreign Application Priority Data**

Aug. 30, 2019 (KR) 30-2019-0041668

(51) **LOC (13) Cl.** **14-02**

(52) **U.S. Cl.**
USPC **D14/371**

(58) **Field of Classification Search**

USPC D14/126, 183, 138 R, 138 AA, 138 C,
D14/138 G, 140.11, 203.1, 203.3, 203.7,

(Continued)

(56) **References Cited**

U.S. PATENT DOCUMENTS

D497,166 S * 10/2004 Vick D14/375
D619,135 S * 7/2010 Lin D14/374

(Continued)

FOREIGN PATENT DOCUMENTS

CN 303738834 * 7/2016
CN 305820080 * 6/2020

(Continued)

OTHER PUBLICATIONS

Gaming Monitor Odyssey G7, Samsung, turbosquid.com, author
unlisted, published on Jan. 19, 2020 © TurboSquid 2021, online,

site visited Jun. 11, 2021. Available at URL: <https://www.turbosquid.com/3d-models/samsung-odyssey-g7-3d-model-1497067> (Year: 2020).*

(Continued)

Primary Examiner — Holly E Thurman

Assistant Examiner — Altaira J Swangin

(74) *Attorney, Agent, or Firm* — Cantor Colburn LLP

(57) **CLAIM**

The ornamental design for a monitor, as shown and described.

DESCRIPTION

FIG. 1 is a front perspective view of a monitor, showing our new design;

FIG. 2 is a front view thereof;

FIG. 3 is a rear view thereof;

FIG. 4 is a left-side view thereof;

FIG. 5 is a right-side view thereof;

FIG. 6 is a top view thereof;

FIG. 7 is a bottom view thereof;

FIG. 8 is a rear perspective view thereof;

FIG. 9 is another front perspective view of a monitor of FIGS. 1-8, shown with the lower portion removed for ease of illustration;

FIG. 10 is a front view of the monitor shown in FIG. 9;

FIG. 11 is a rear view of the monitor shown in FIG. 9;

FIG. 12 is left-side view of the monitor shown in FIG. 9;

FIG. 13 is a right-side view of the monitor shown in FIG. 9;

FIG. 14 is a top view of the monitor shown in FIG. 9;

FIG. 15 is a bottom view of the monitor shown in FIG. 9;

FIG. 16 is a rear perspective view of the monitor shown in FIG. 9;

FIG. 17 is an enlarged view of the portion 17 in FIG. 2;

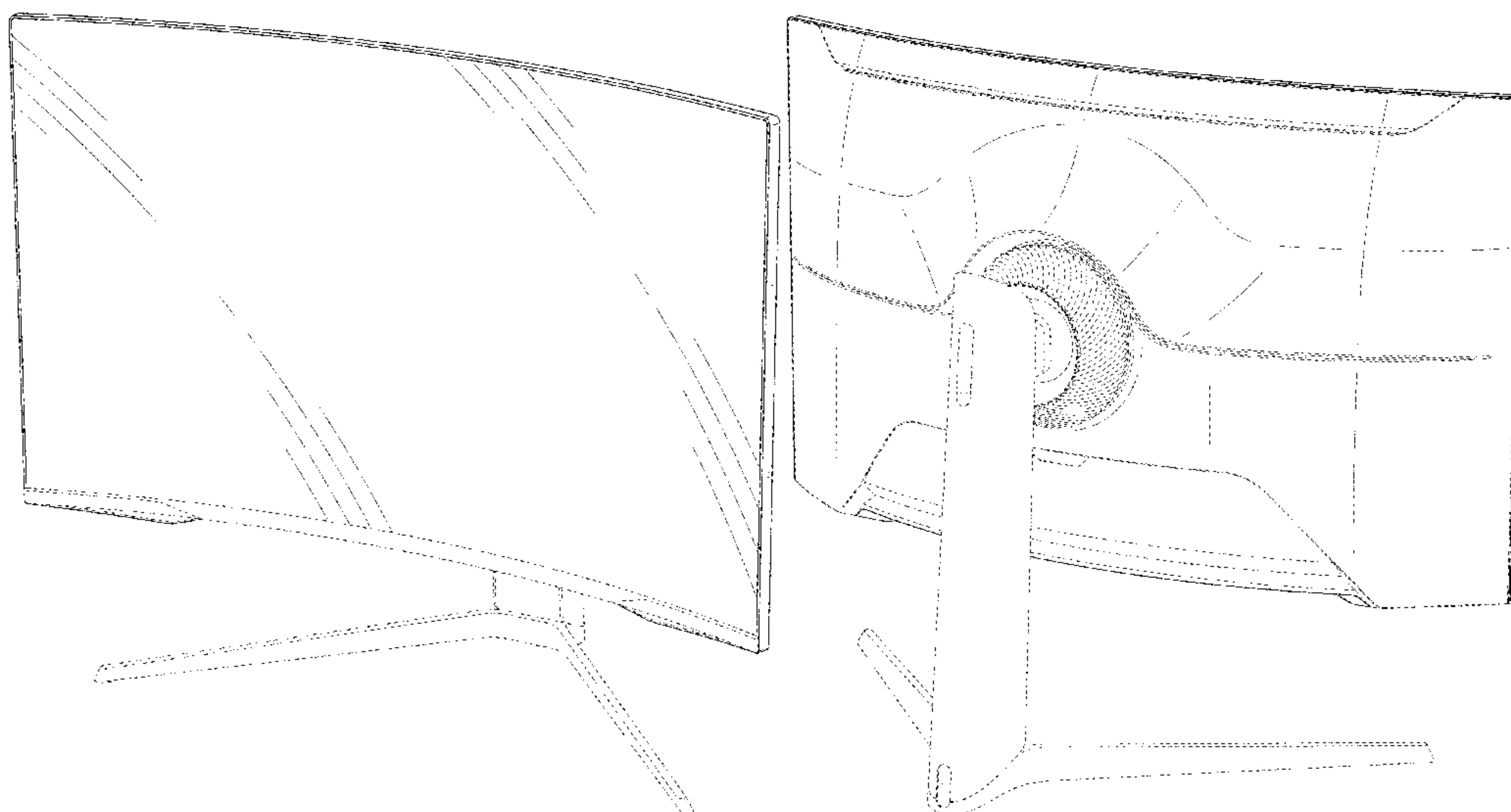
FIG. 18 is an enlarged view of the portion 18 in FIG. 3;

FIG. 19 is an enlarged view of the portion 19 in FIG. 5; and,

FIG. 20 is an enlarged view of the portion 20 in FIG. 5.

The even-dash broken lines representing portions of the Monitor form no part of the claimed design. The dot-dot-dash broken lines encircling enlargement portions of the monitor form no part of the claimed design.

1 Claim, 20 Drawing Sheets



(58) **Field of Classification Search**

USPC D14/217, 239, 250, 305, 307, 335–336,
 D14/340, 424, 432, 448–450, 464, 510,
 D14/451, 140, 471, 483, 511, 339,
 D14/371–382; D20/10, 17–18, 27,
 D20/38–39, 42, 44
 CPC G09F 13/00; G09F 19/22; G09F 15/0006
 See application file for complete search history.

(56) **References Cited**

U.S. PATENT DOCUMENTS

D686,584 S 7/2013 Yoo et al.
 D701,186 S * 3/2014 Kim D14/126
 D721,666 S * 1/2015 Son D14/126
 D725,616 S * 3/2015 Oh D14/126
 D731,498 S * 6/2015 Jeon D14/451
 D738,838 S 9/2015 Seo et al.
 D750,076 S 2/2016 Lam et al.
 D750,626 S 3/2016 Schoenert et al.
 D763,213 S * 8/2016 Ann D14/126
 D767,576 S * 9/2016 Wang D14/451
 D771,604 S * 11/2016 Stoops D14/239
 D790,541 S * 6/2017 Jung D14/374
 D790,542 S * 6/2017 Jung D14/374
 D791,130 S * 7/2017 Oh D14/374
 D797,737 S * 9/2017 Won D14/374
 D799,483 S * 10/2017 Won D14/376
 D800,706 S * 10/2017 Ann D14/239
 D805,511 S * 12/2017 Sun D14/336
 D817,900 S * 5/2018 So D14/126
 D817,958 S * 5/2018 Won D14/374
 D819,027 S * 5/2018 Lee D14/374
 D819,028 S * 5/2018 Seo D14/374
 D826,229 S * 8/2018 Teo D14/374
 D831,647 S * 10/2018 Woo D14/374
 D859,337 S * 9/2019 Lee D14/126
 D862,430 S * 10/2019 Lee D14/239
 D866,667 S * 11/2019 Stair D21/369
 D872,085 S * 1/2020 Lee D14/374
 D873,826 S * 1/2020 Yang D14/374
 D881,023 S * 4/2020 Hu D10/15

D888,677 S * 6/2020 Ryu D14/126
 D893,479 S * 8/2020 Ryu D14/374
 D900,815 S * 11/2020 Kang D14/371
 D900,816 S * 11/2020 Kim D14/374
 D900,817 S * 11/2020 Ryu D14/374
 D900,819 S * 11/2020 Kim D14/374
 D900,820 S * 11/2020 Kim D14/374
 D901,500 S * 11/2020 Kim D14/374
 D907,123 S * 1/2021 DeMarco D21/369
 D909,368 S * 2/2021 Seo D14/336
 D912,044 S * 3/2021 Seo D14/336
 D912,668 S * 3/2021 Kang D14/375
 D913,378 S * 3/2021 Glenn, II D21/369
 D918,908 S * 5/2021 Kang D14/375
 D924,859 S * 7/2021 Kim D14/239
 D926,185 S * 7/2021 Kim D14/371
 D933,077 S * 10/2021 Cho D14/452
 D943,577 S * 2/2022 Kim D14/375
 D944,796 S * 3/2022 Kim D14/376
 D947,188 S * 3/2022 Ryu D14/374
 2020/0174515 A1 * 6/2020 So G06F 1/1601

FOREIGN PATENT DOCUMENTS

CN 306052958 * 9/2020
 EM 001366405-0001 4/2013
 KR 301064748.0000 * 7/2020

OTHER PUBLICATIONS

Predator XB3 Series Monitor, Acer, tenforums.com, author unlisted, published on Jan. 23, 2020 © Designer Media Ltd., site visited Jun. 11, 2021. Available at URL: <https://www.tenforums.com/windows-10-news/159237-acer-announces-new-predator-desktops-monitors-accessories.html> (Year: 2020).*

G34W-10 Curved WLED Gaming Monitor, Lenovo, currys.co.uk, author unlisted, published on Jan. 17, 2021 per wayback machine © 1996-2021 Amazon.com, Inc., online, site visited Jun. 22, 2021. Available at URL: <https://www.currys.co.uk/gbuk/gaming/pc-gaming/gaming-monitors/lenovo-g34w-10-wide-quad-hd-34-curved-wled-gaming-monitor-black-10204368-pdt.html> (Year: 2021).*

* cited by examiner

FIG. 1

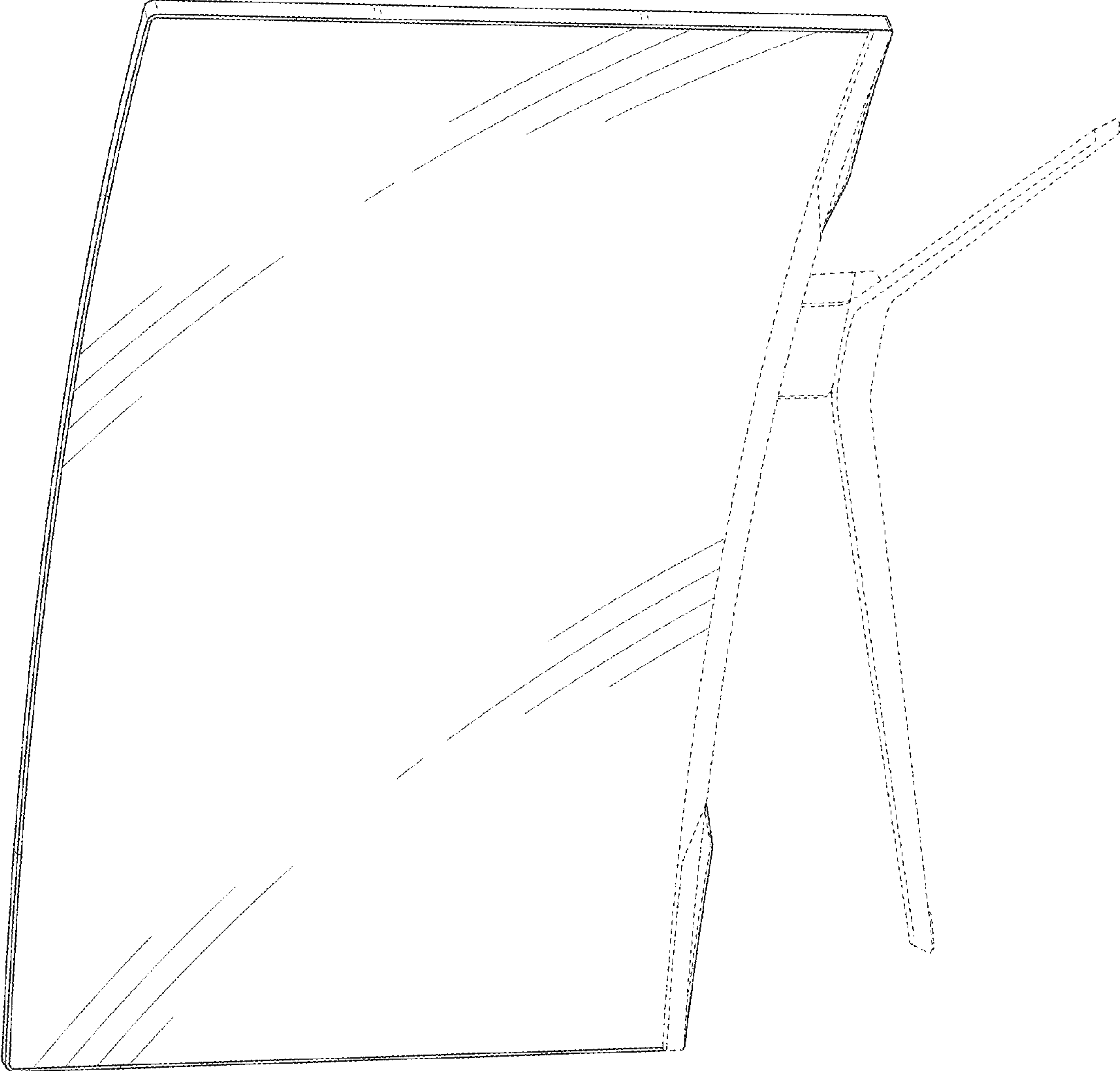


FIG. 2

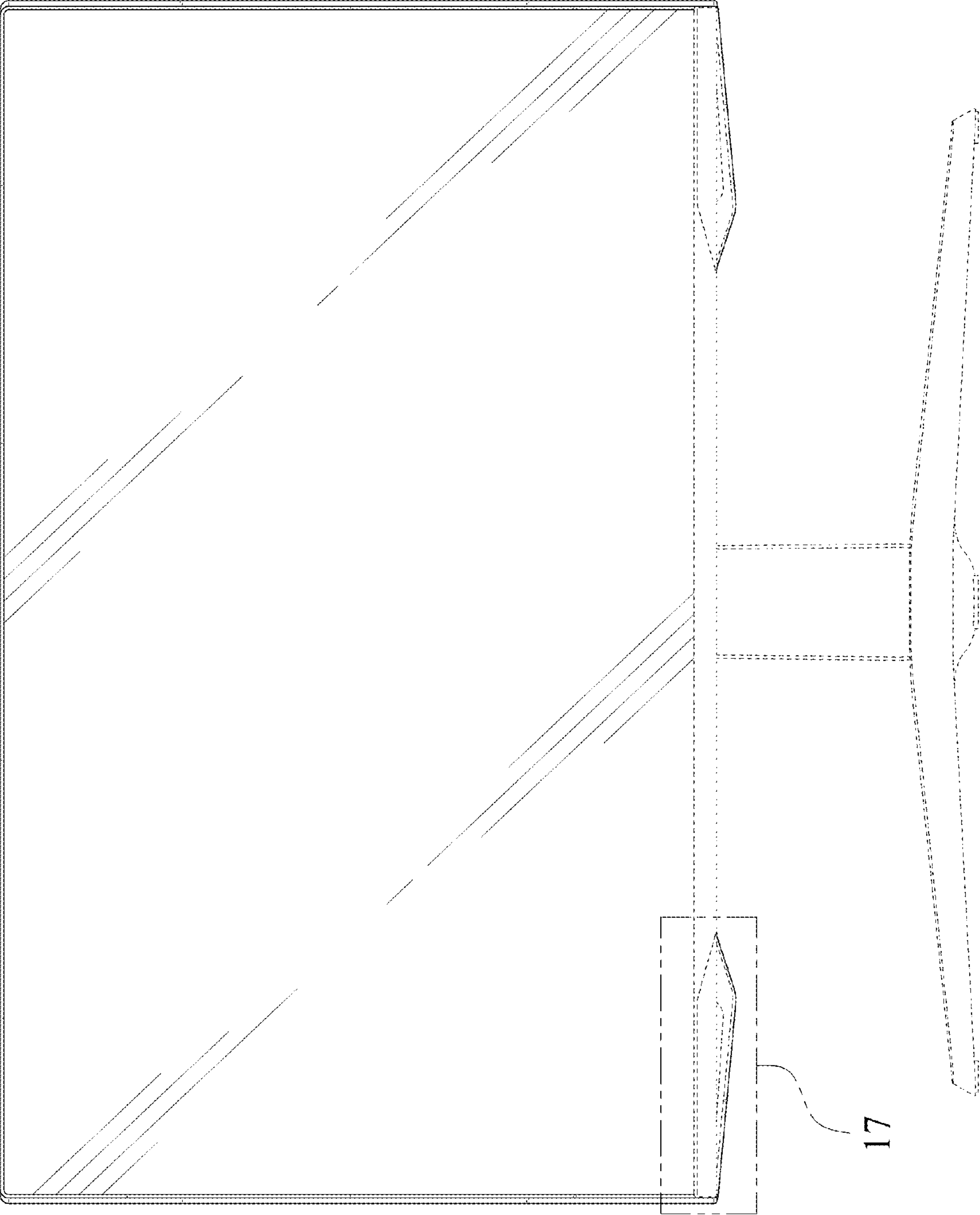


FIG. 3

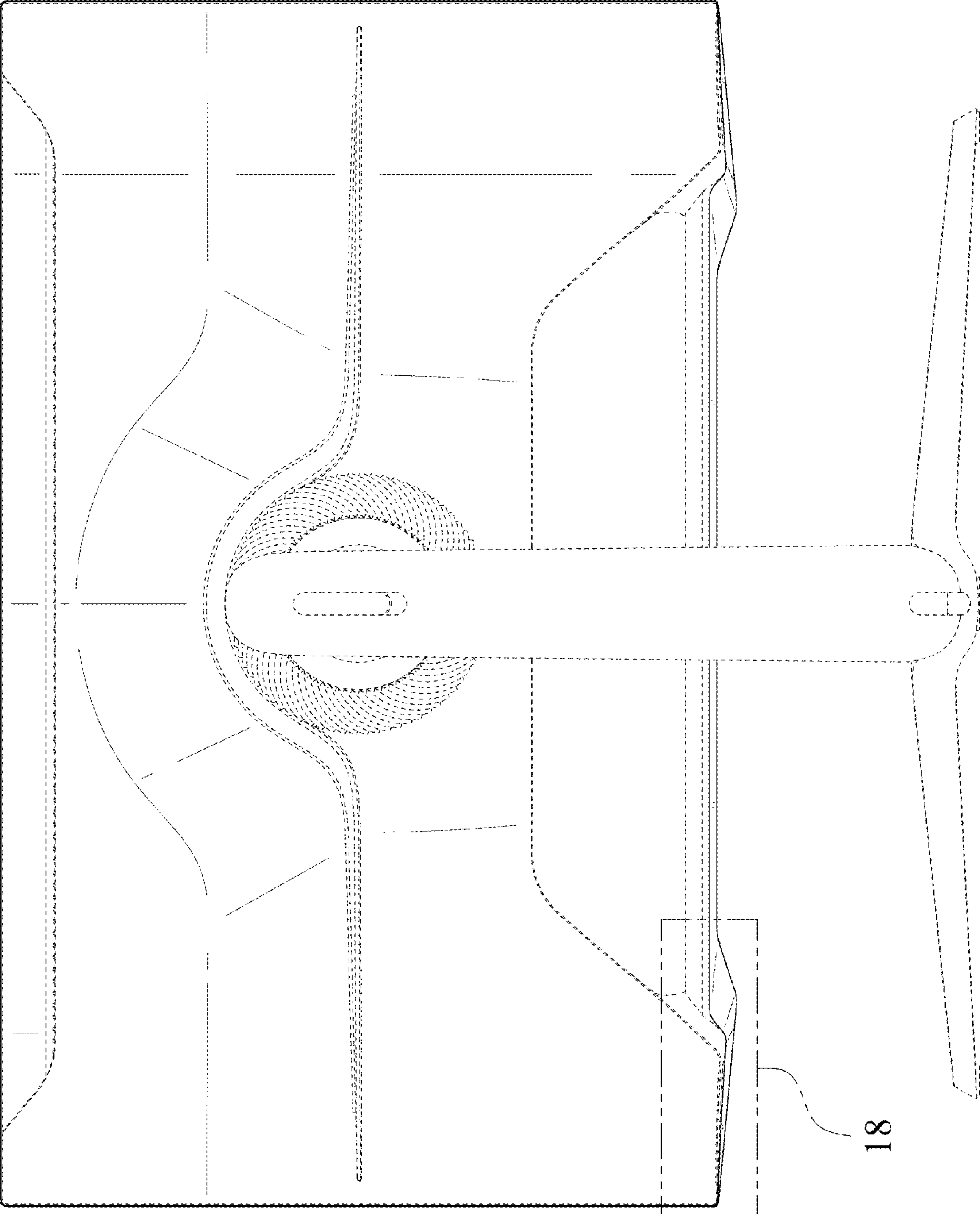


FIG. 4

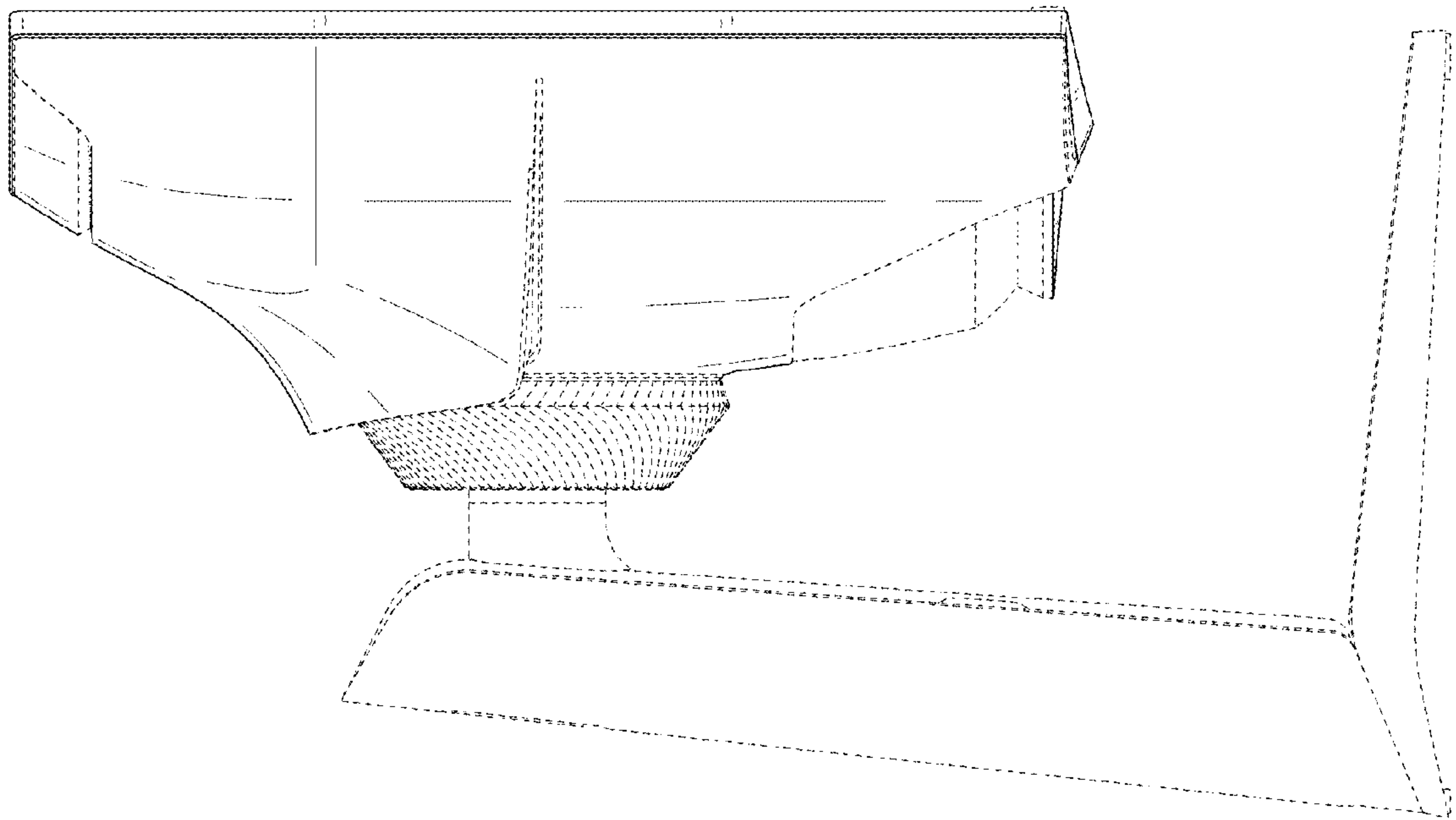


FIG. 5

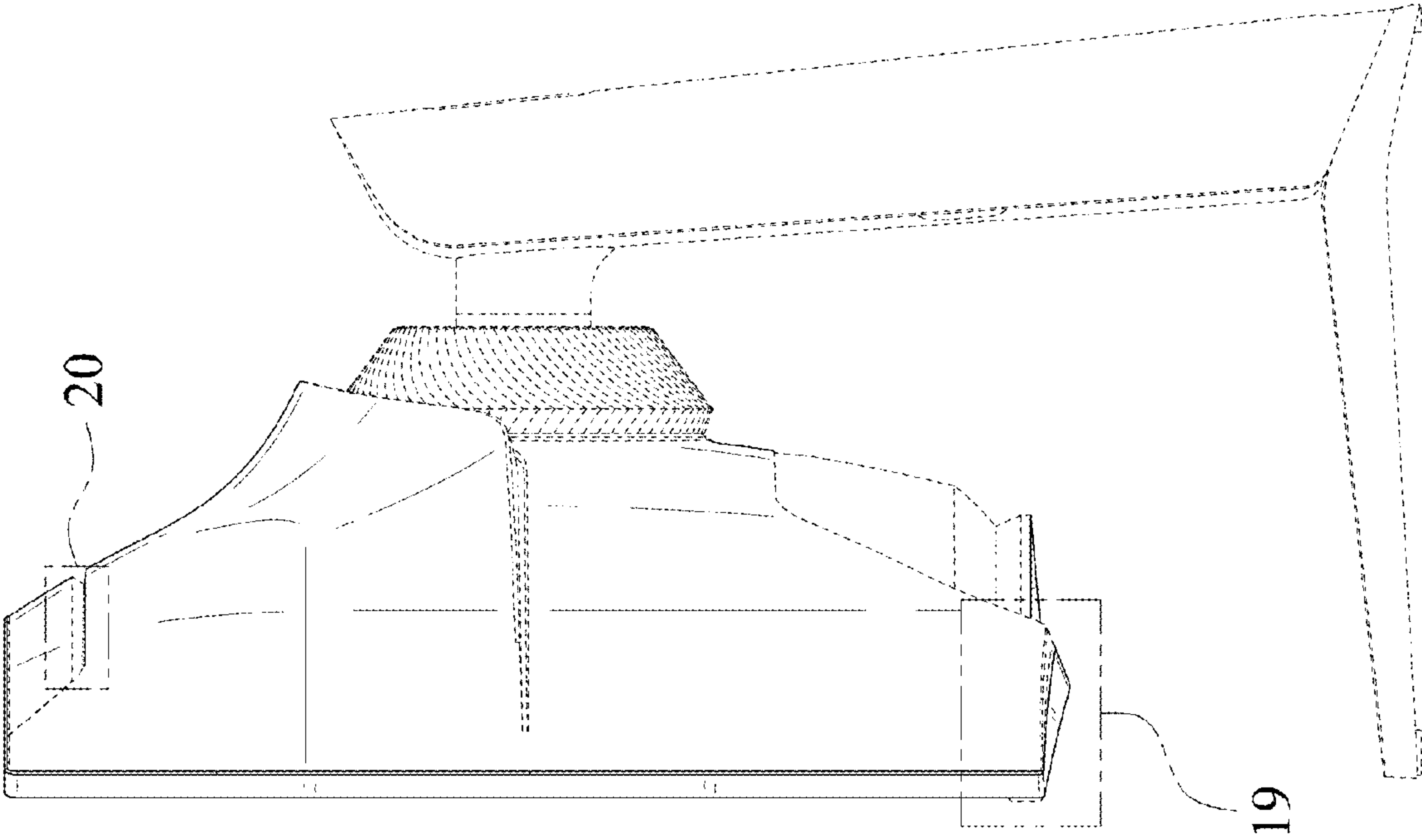


FIG. 6

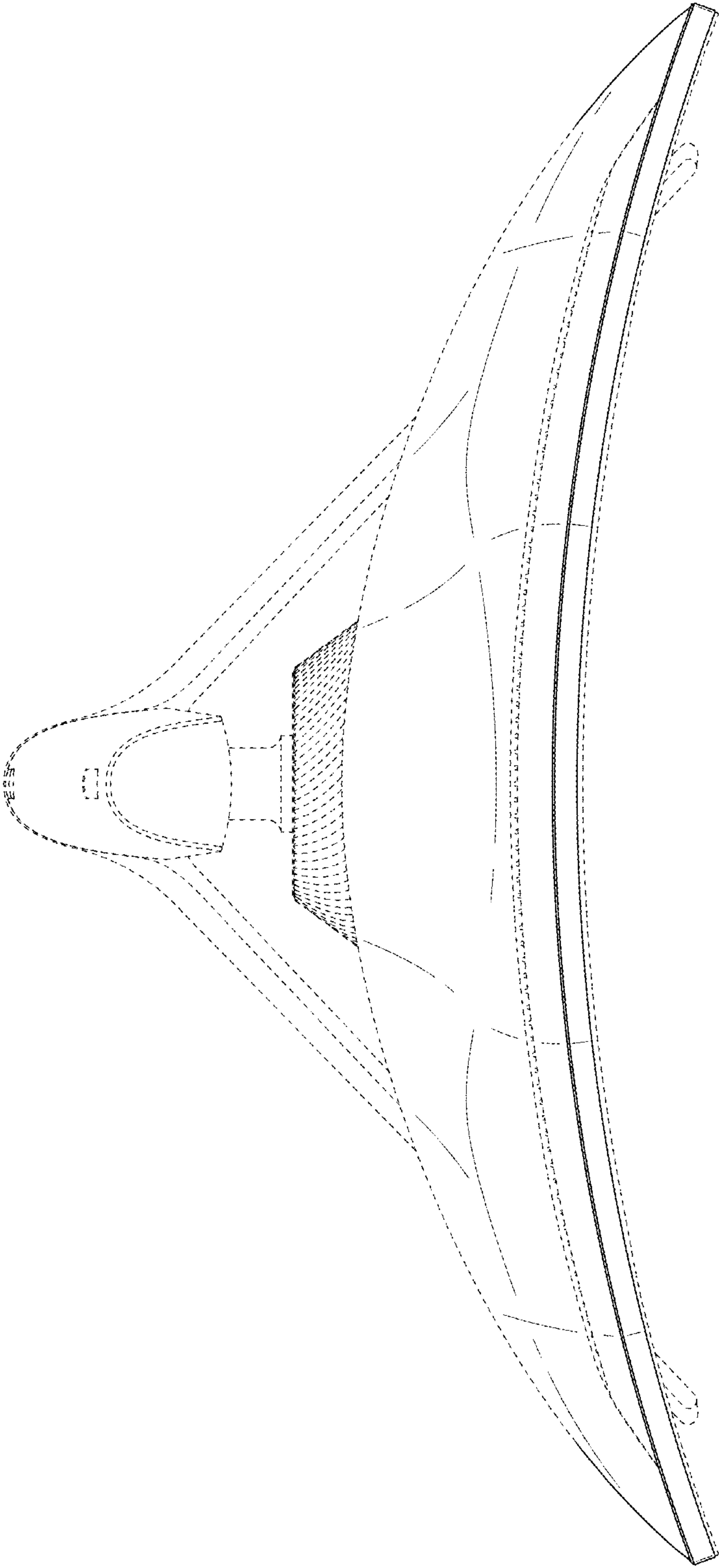


FIG. 7

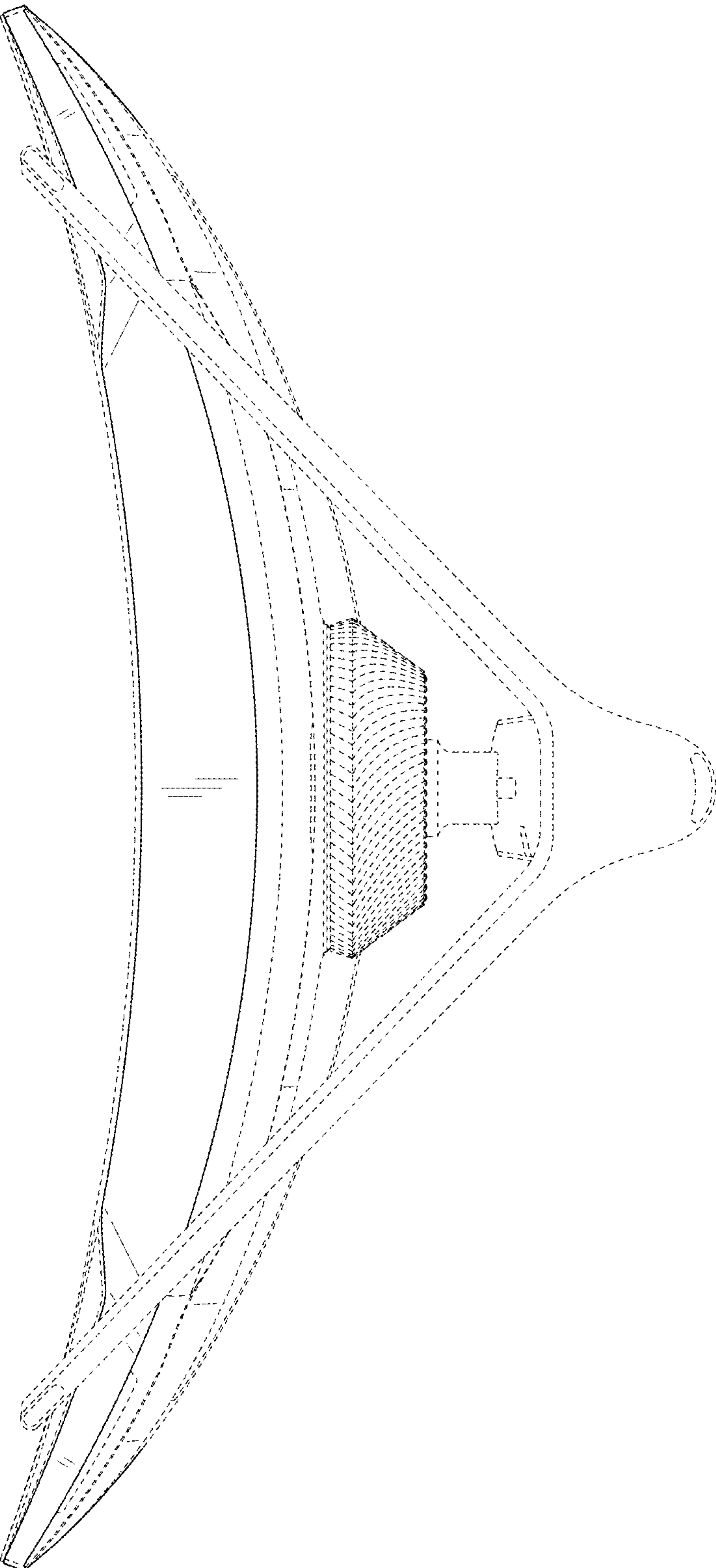


FIG. 8

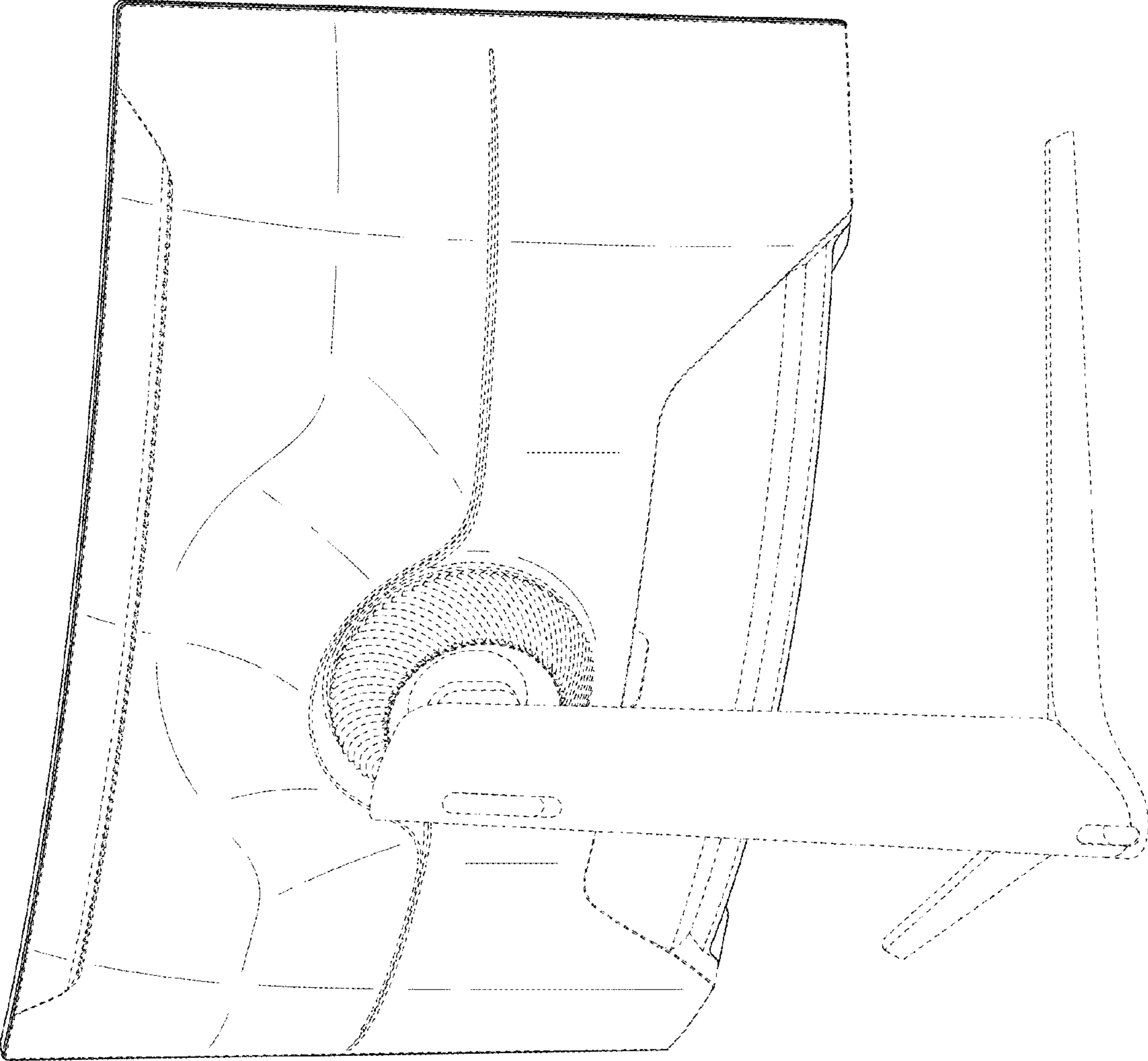


FIG. 9

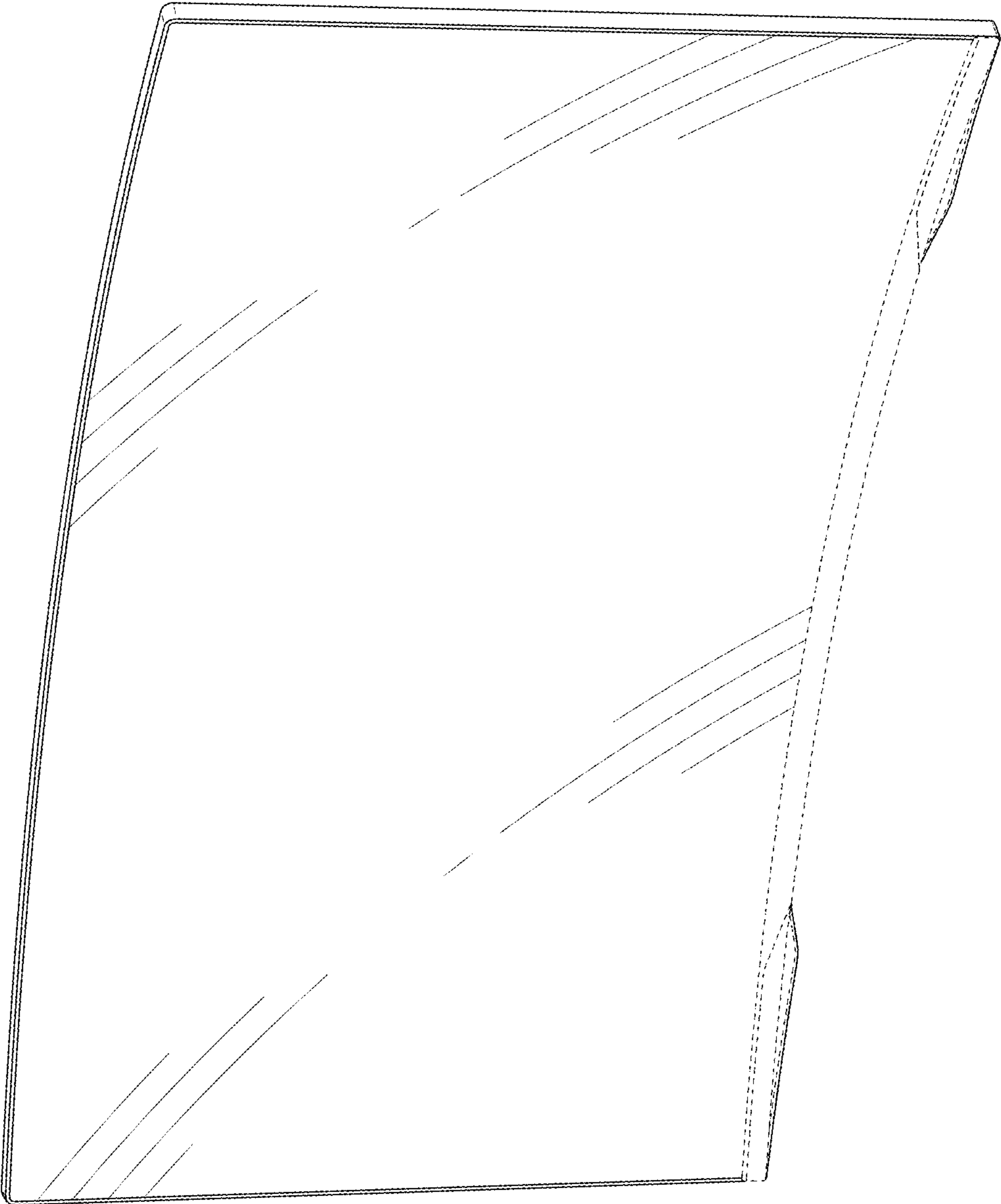


FIG. 10

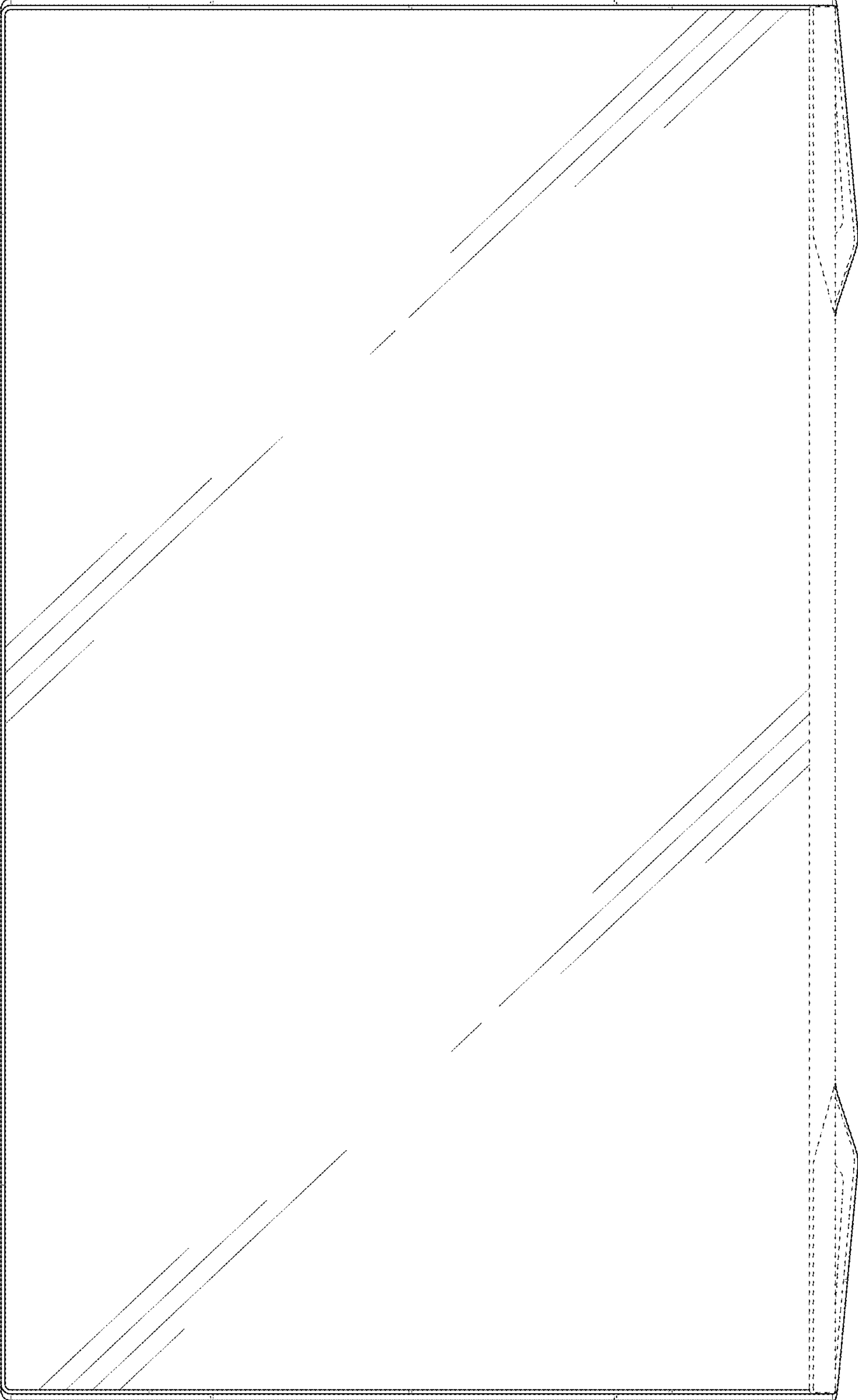


FIG. 11

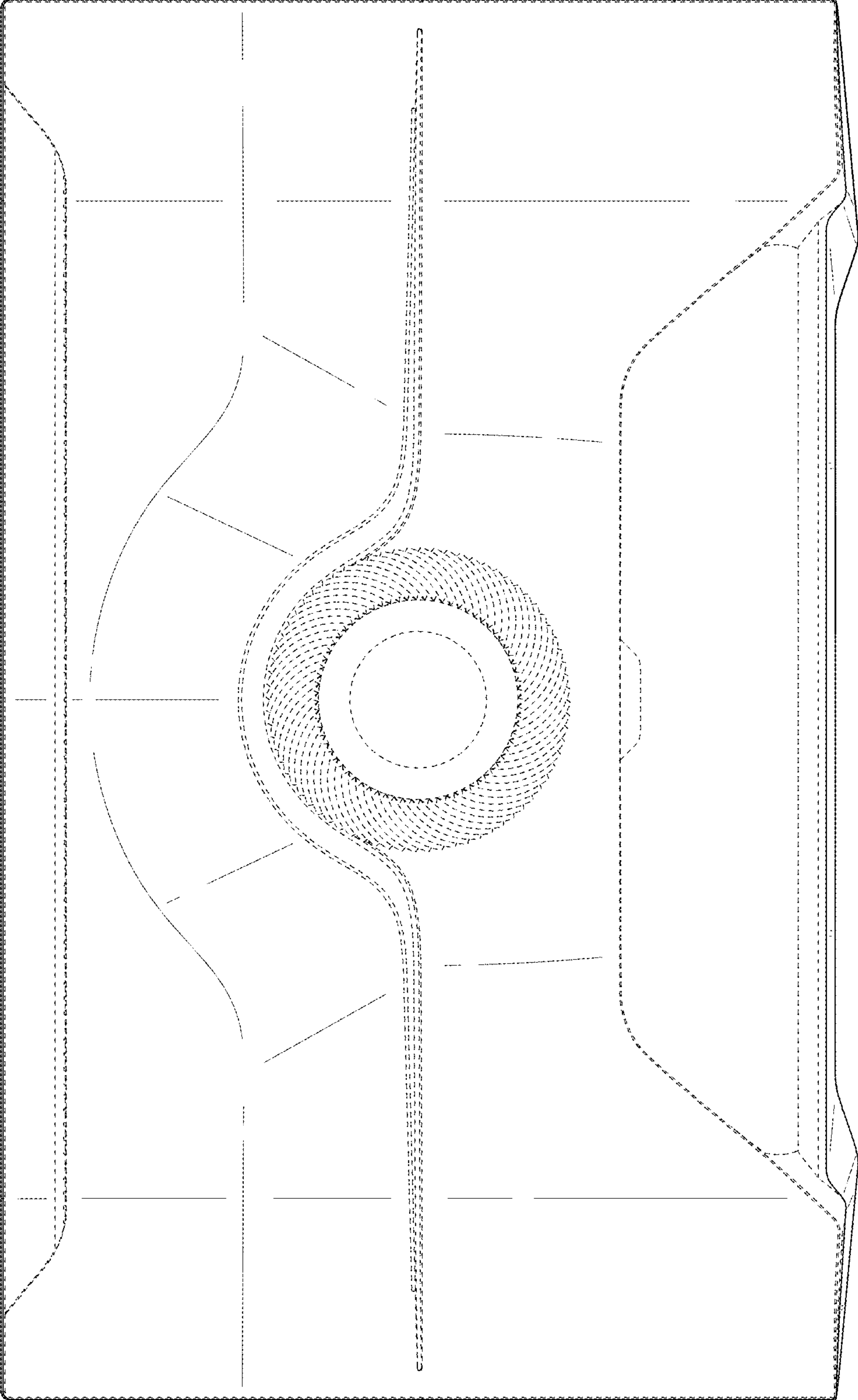


FIG. 12

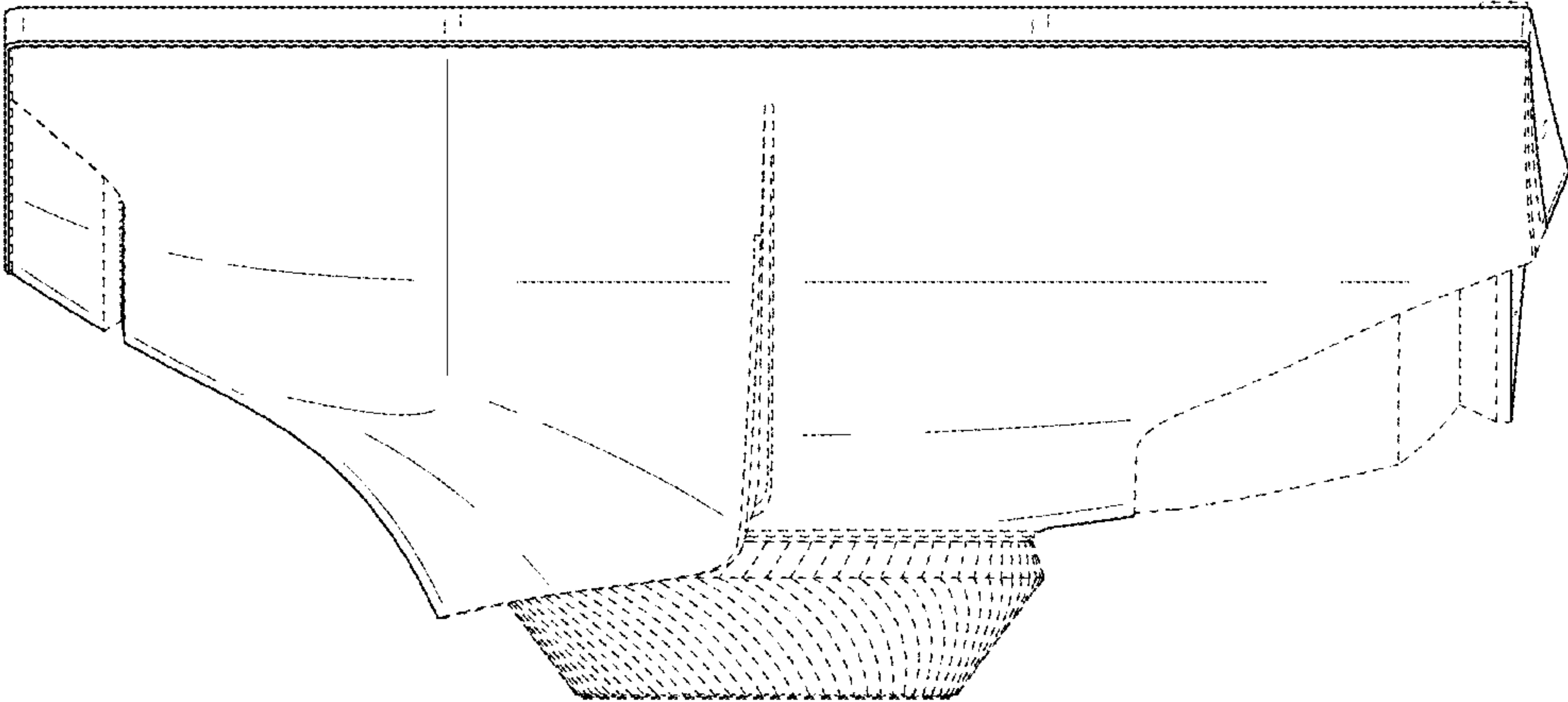


FIG. 13

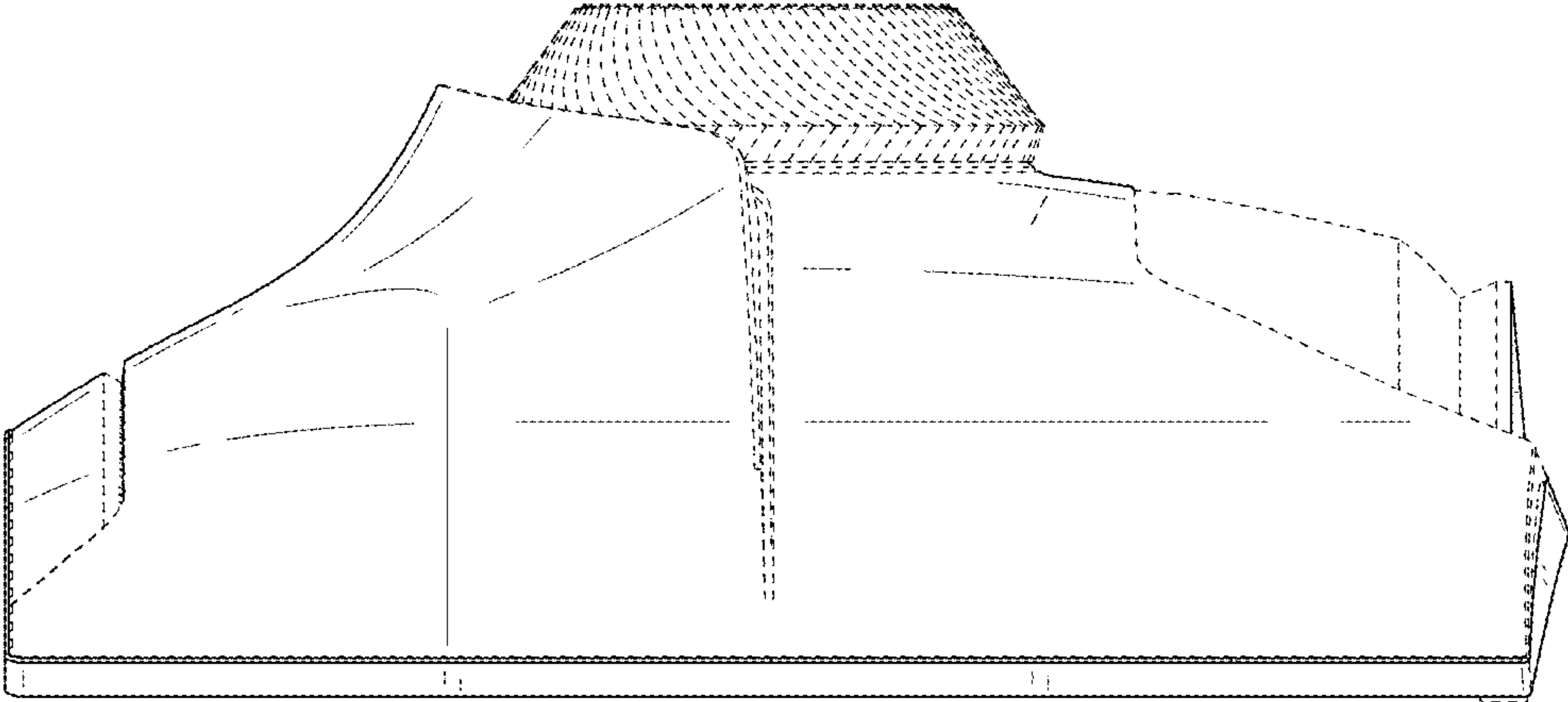


FIG. 14

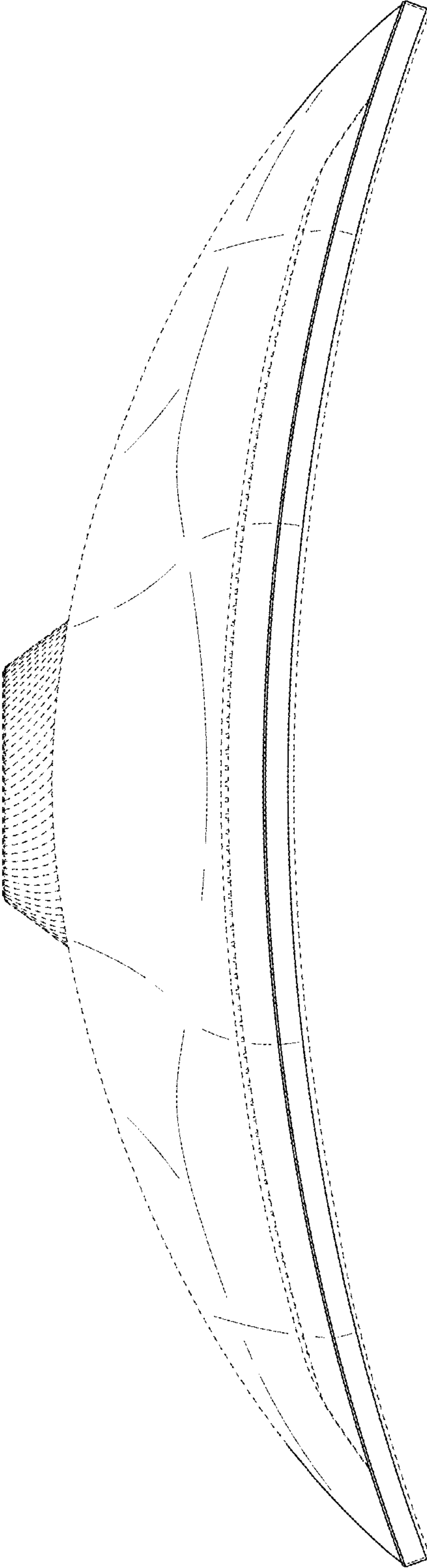


FIG. 15

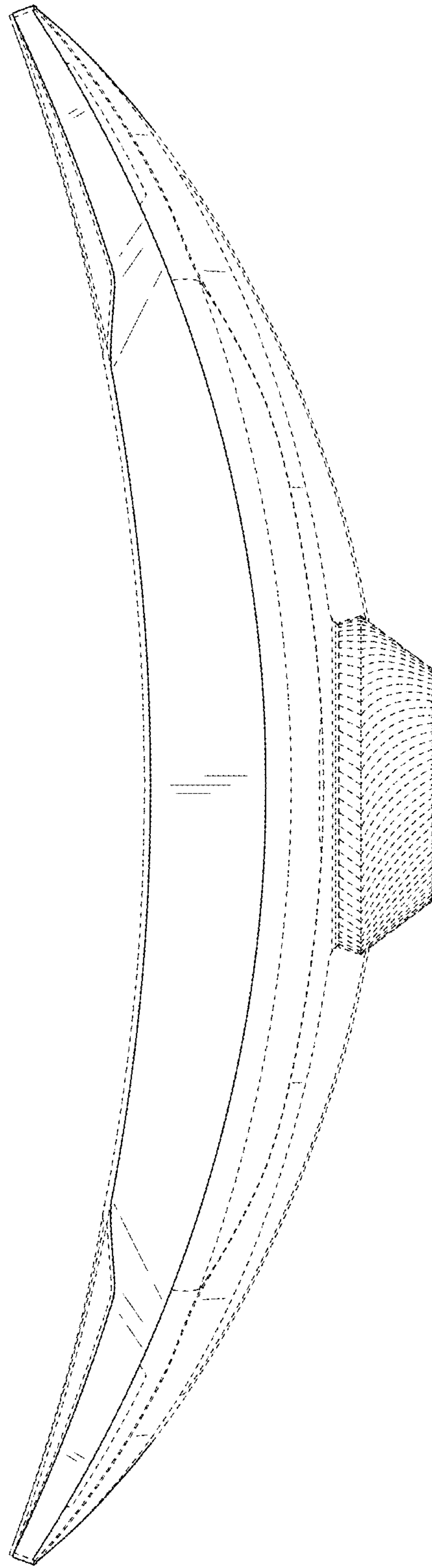


FIG. 16

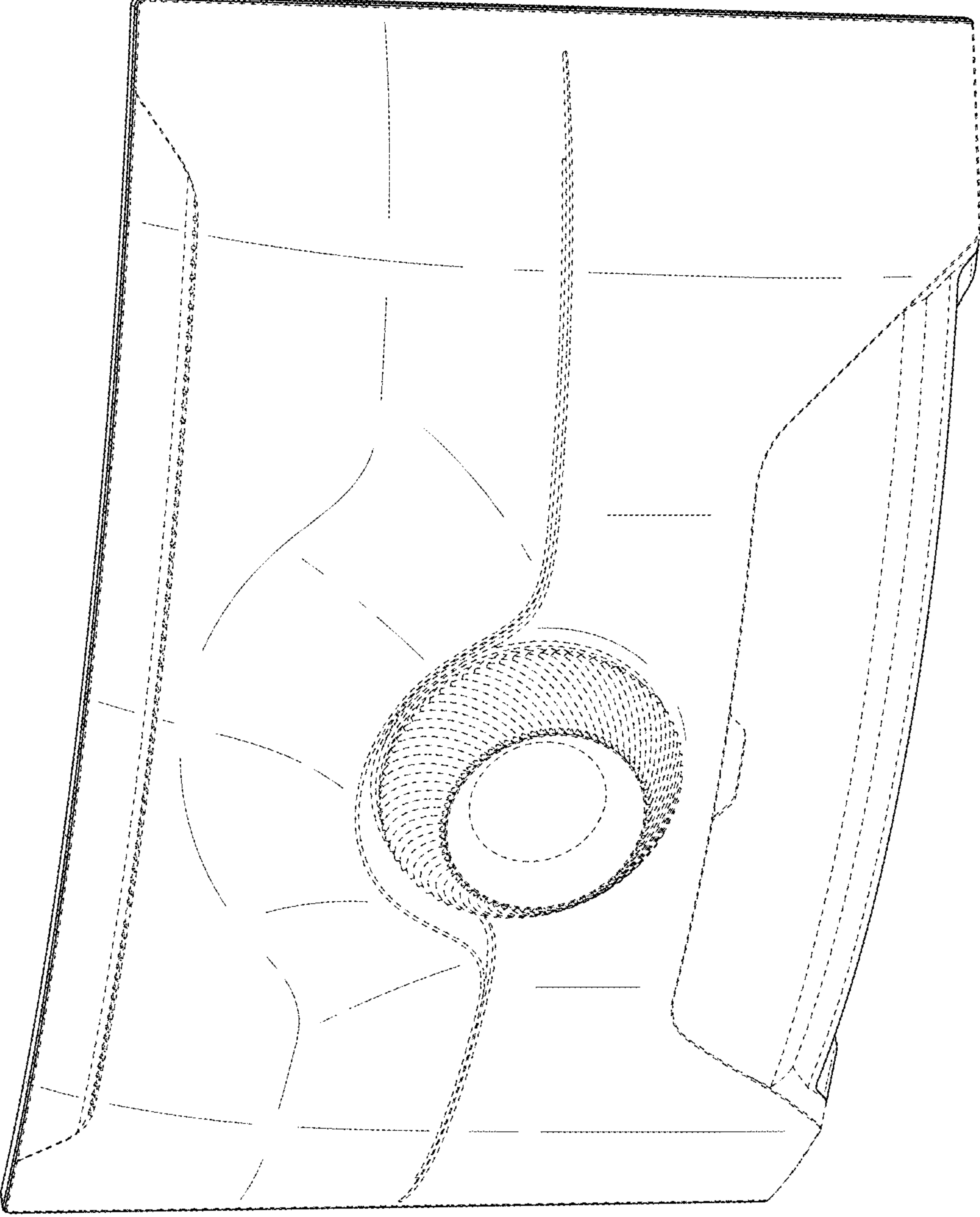


FIG. 17

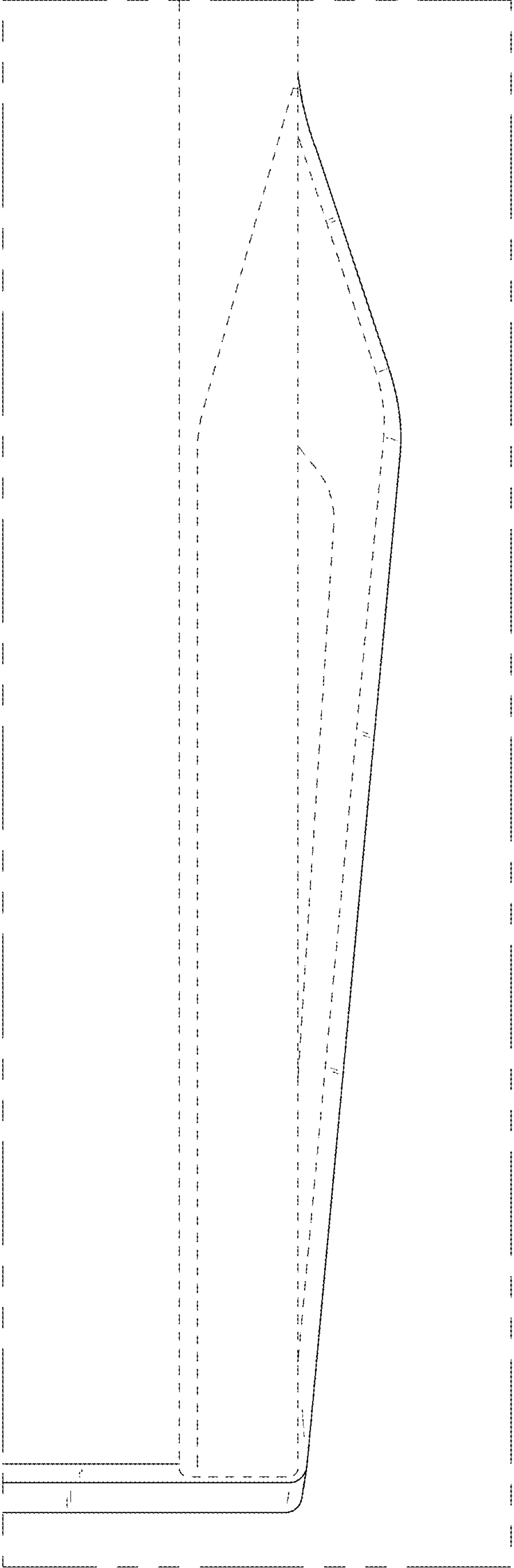


FIG. 18

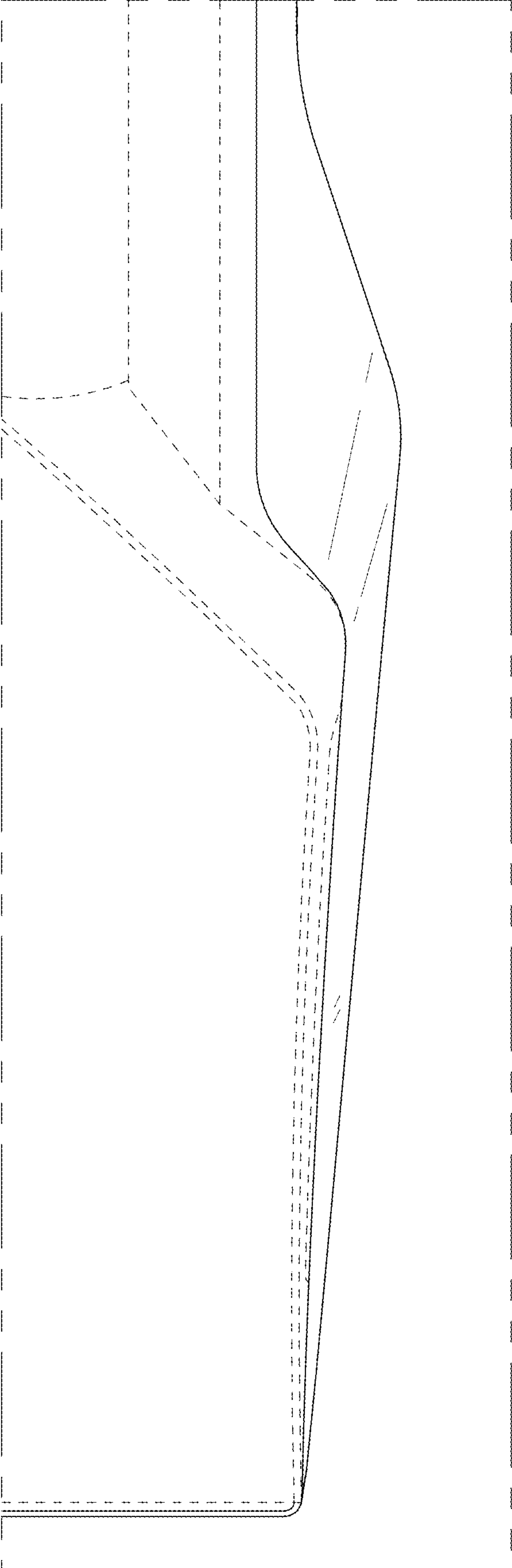


FIG. 19

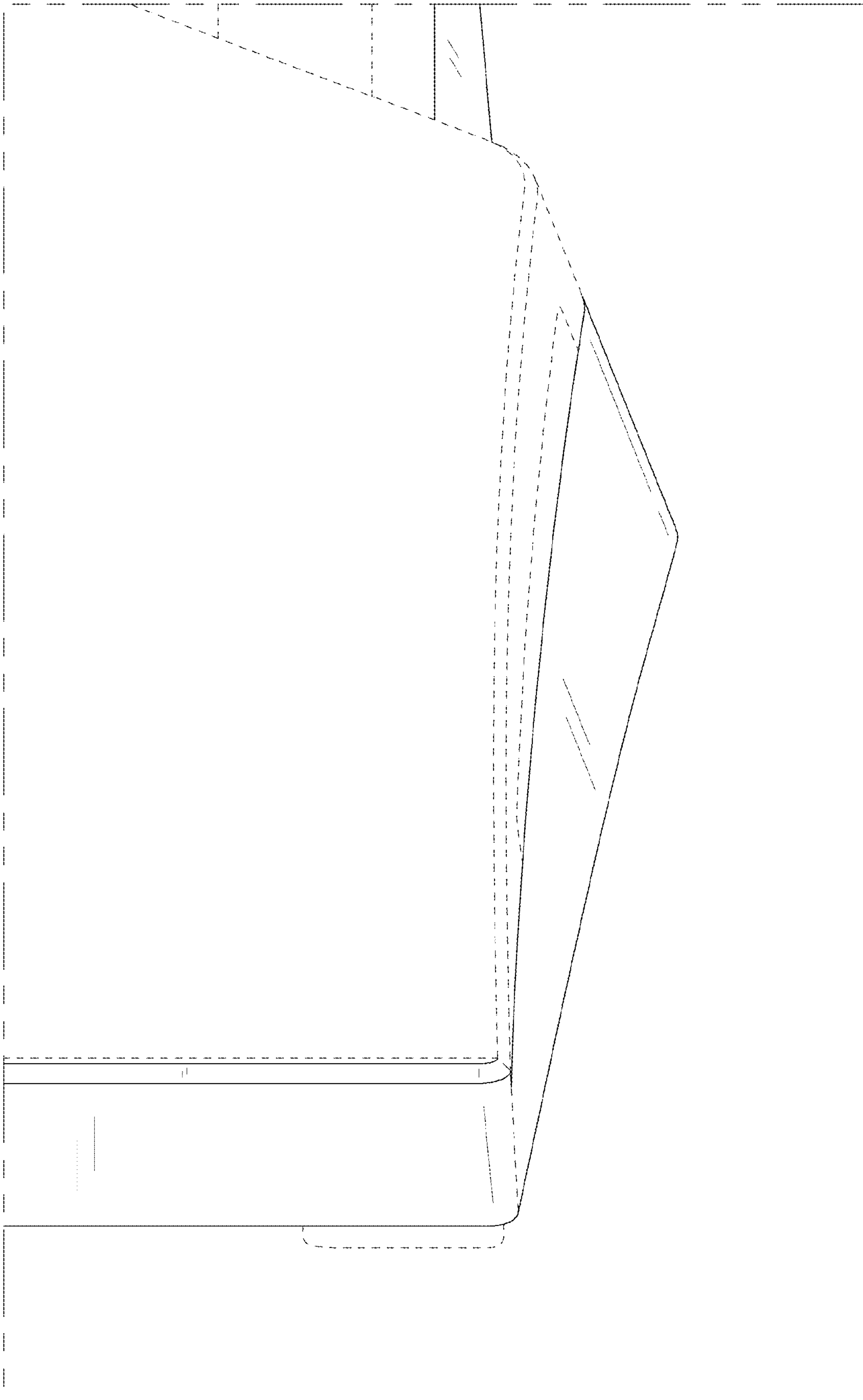


FIG. 20

