



US00D963639S

(12) **United States Design Patent**
Zhang

(10) **Patent No.:** **US D963,639 S**

(45) **Date of Patent:** **** Sep. 13, 2022**

(54) **SMART WATCH**

(71) Applicant: **Jing Zhang**, Shenzhen (CN)

(72) Inventor: **Jing Zhang**, Shenzhen (CN)

(**) Term: **15 Years**

(21) Appl. No.: **29/801,684**

(22) Filed: **Jul. 30, 2021**

(30) **Foreign Application Priority Data**

Jul. 23, 2021 (CN) 202130470267.8

(51) **LOC (13) Cl.** **14-02**

(52) **U.S. Cl.**

USPC **D14/344**

(58) **Field of Classification Search**

USPC D10/30, 31, 32, 38, 39; D14/138 R,
D14/138 G, 144, 341, 344, 346, 388, 389,
D14/390

CPC G04G 17/00; G04G 17/045; G04G 17/08;
G04G 17/083; G04G 21/00; G04G 21/08;
G04G 99/006

See application file for complete search history.

(56) **References Cited**

U.S. PATENT DOCUMENTS

| | | | | |
|--------------|---------|--------------------|-------|---------|
| D584,170 S * | 1/2009 | Morrison | | D10/32 |
| D645,360 S * | 9/2011 | Kiser | | D10/32 |
| D724,556 S * | 3/2015 | Choi | | D14/344 |
| D728,624 S * | 5/2015 | Akana | | D14/496 |
| D739,768 S * | 9/2015 | Hanshew | | D10/38 |
| D743,278 S * | 11/2015 | Solomon | | D10/38 |
| D760,717 S * | 7/2016 | Solomon | | D14/344 |
| D842,855 S * | 3/2019 | Akana | | D14/344 |
| D911,330 S * | 2/2021 | Kozlovskaya et al. | | |
| D919,617 S * | 5/2021 | Akana | | D14/344 |

| | | | | |
|--------------|---------|-------|-------|-------------|
| D929,989 S * | 9/2021 | Han | | D14/344 |
| D939,499 S * | 12/2021 | Lin | | D14/344 |
| D940,705 S * | 1/2022 | Lin | | D14/344 |
| D947,179 S * | 3/2022 | Yin | | D14/344 |
| D947,183 S * | 3/2022 | Wu | | D14/344 |
| D951,108 S * | 5/2022 | Huang | | G06F 1/1637 |

| | | | | |
|-------------------|---------|------|-------|-------------|
| D954,702 S * | 6/2022 | Park | | D14/344 |
| 2016/0344089 A1 * | 11/2016 | Baik | | G06F 1/1637 |

* cited by examiner

Primary Examiner — Joseph Kukella

(57) **CLAIM**

The ornamental design for a smart watch, as shown and described.

DESCRIPTION

FIG. 1 is a front and top perspective view of a smart watch, showing my new design;

FIG. 2 is a rear and bottom perspective view thereof;

FIG. 3 is a front elevation view thereof;

FIG. 4 is a rear elevation view thereof;

FIG. 5 is a left side elevation view thereof;

FIG. 6 is a right side elevation view thereof;

FIG. 7 is a top plan view thereof;

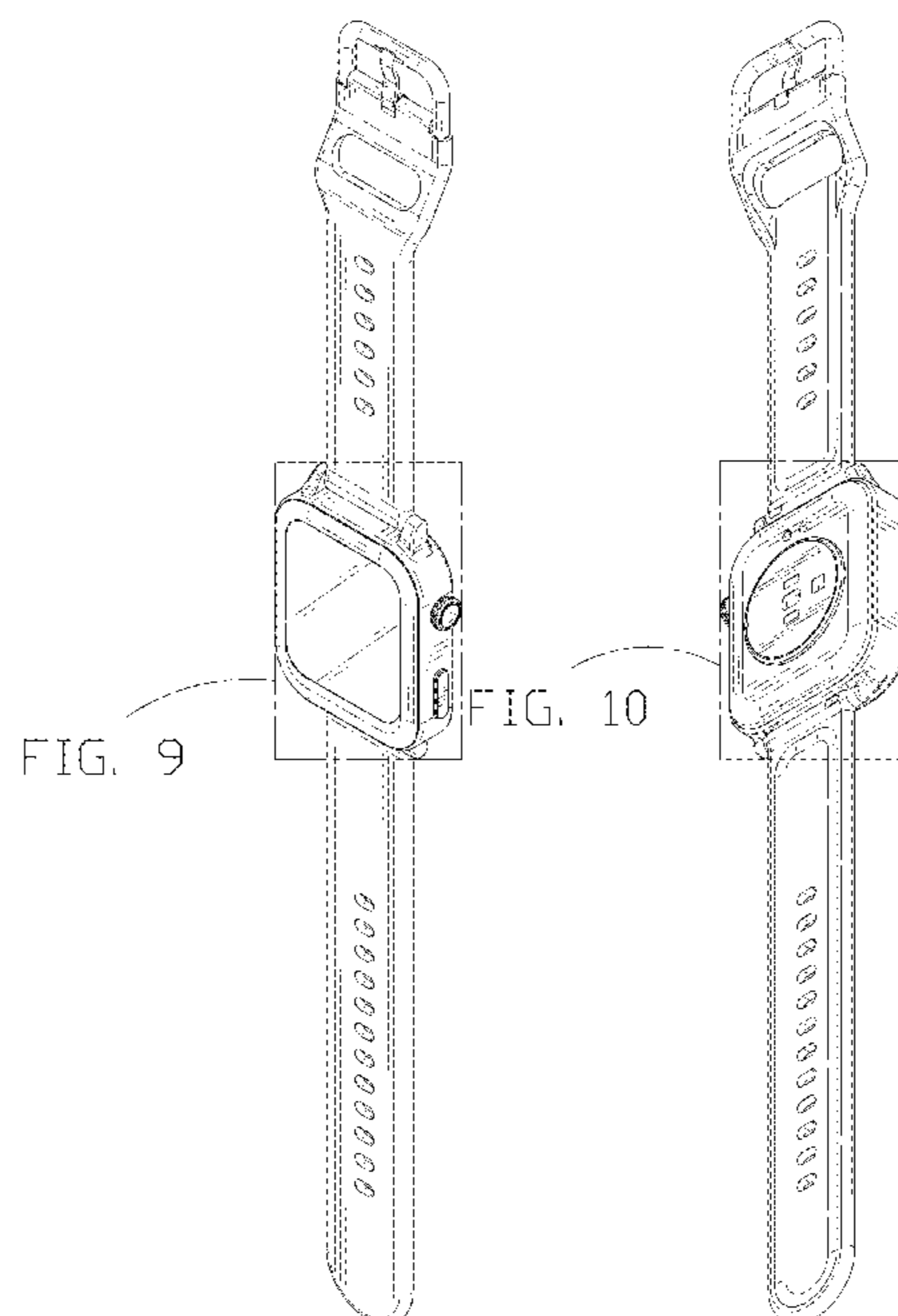
FIG. 8 is a bottom plan view thereof;

FIG. 9 is an enlarged view of a portion labeled, 'FIG. 9' in FIG. 1; and,

FIG. 10 is an enlarged view of a portion labeled, 'FIG. 10' in FIG. 2.

The broken lines in the figures illustrate portions of the smart watch that form no part of the claimed design. The dash dot dash lines in FIGS. 1, 2, 9 and 10 are for the purpose of depicting the boundary lines of the enlarged views and form no part of the claimed design.

1 Claim, 10 Drawing Sheets



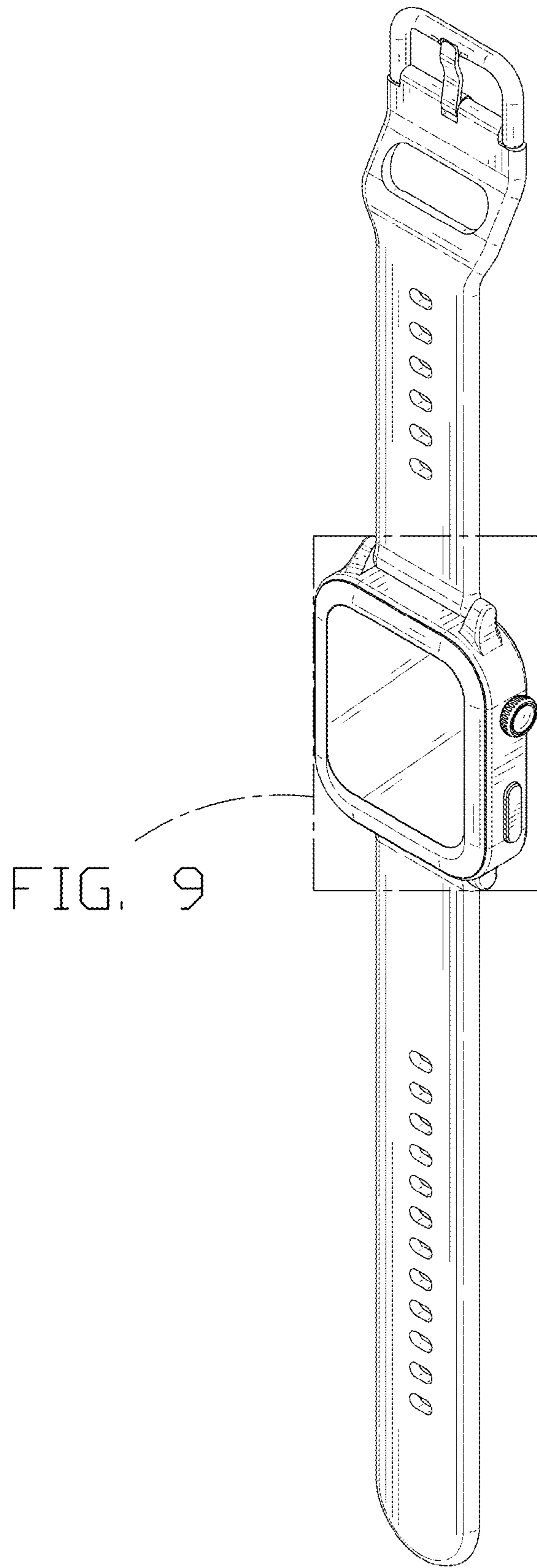


FIG. 9

FIG. 1

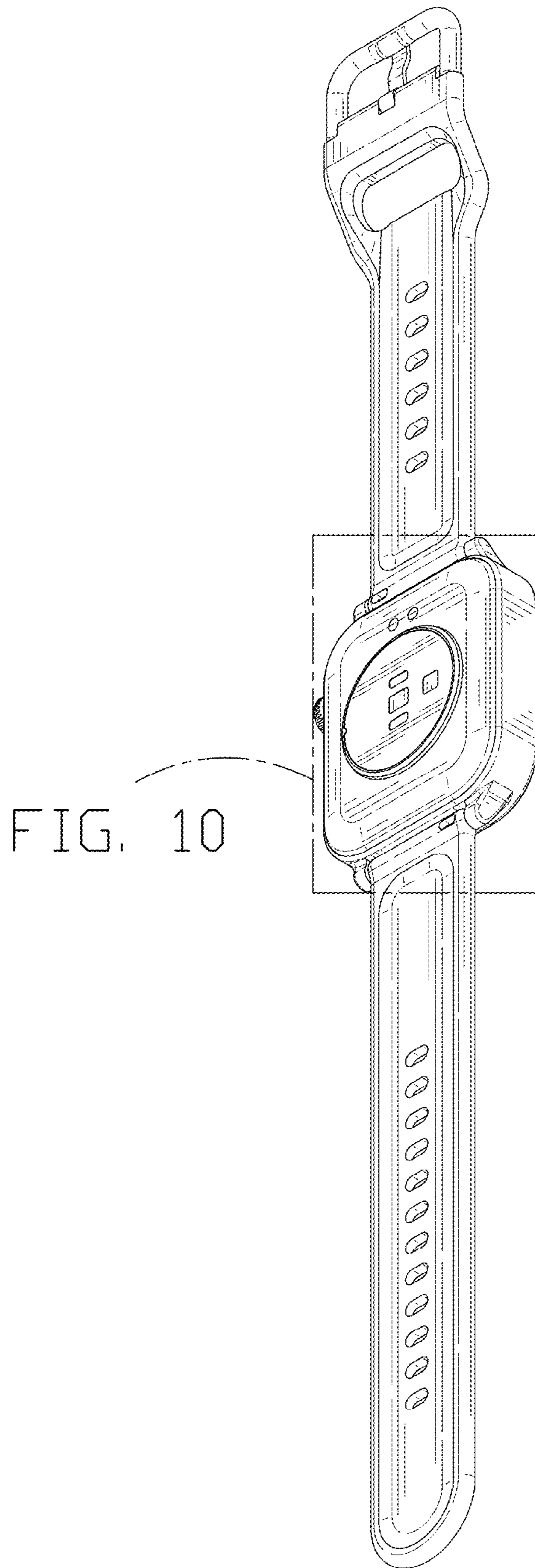


FIG. 2

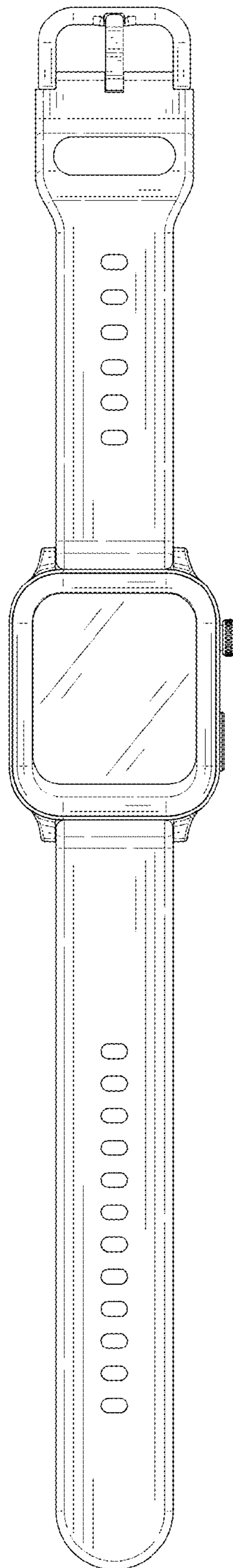


FIG. 3

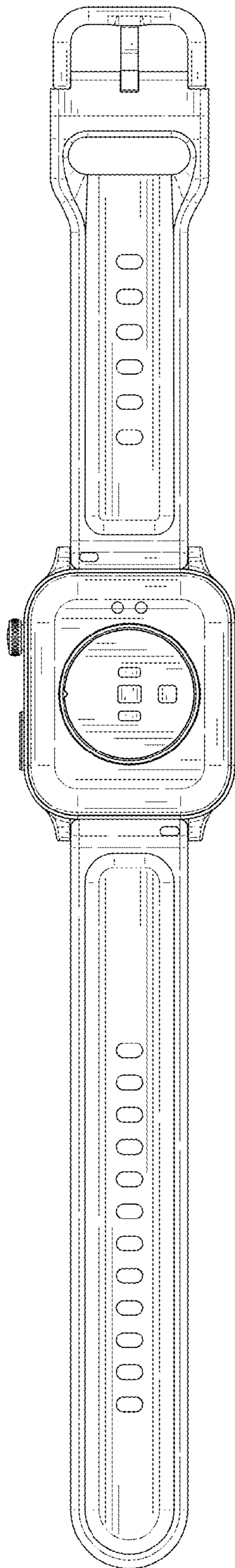


FIG. 4

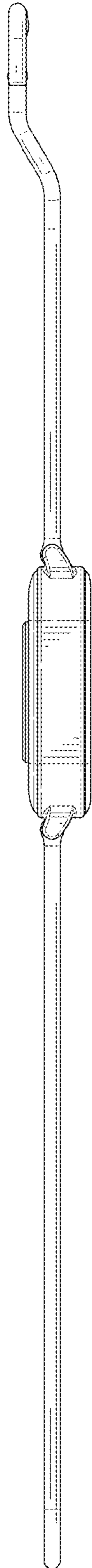


FIG. 5

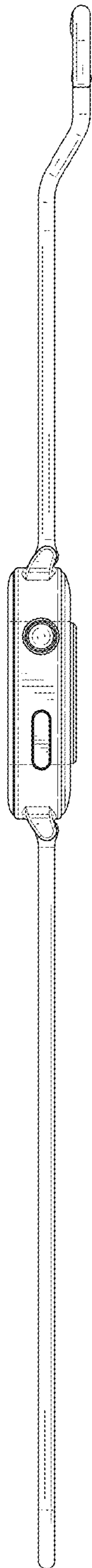


FIG. 6

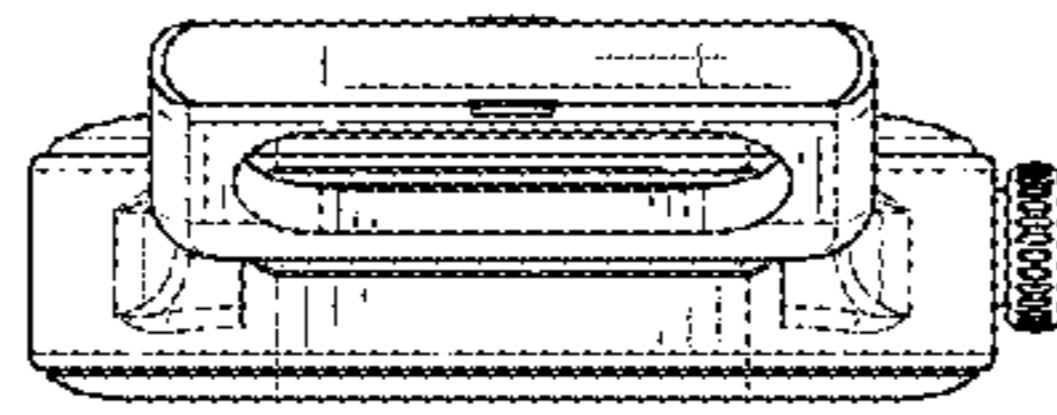


FIG. 7

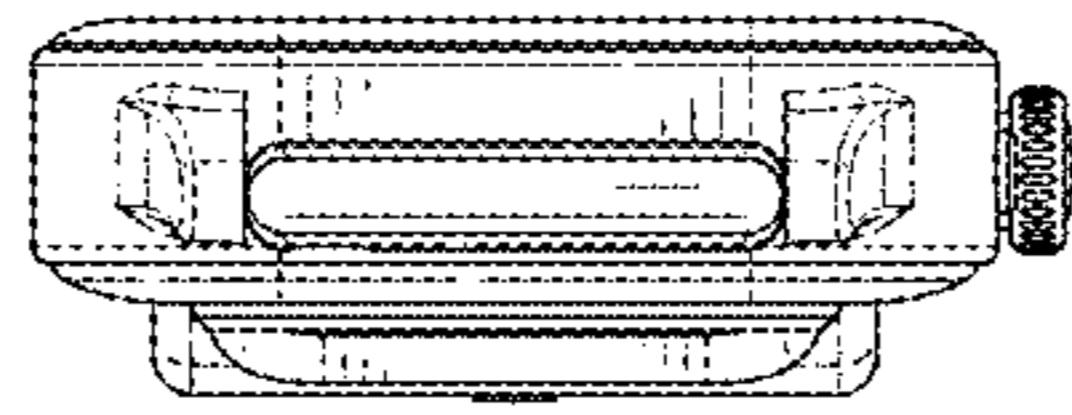


FIG. 8

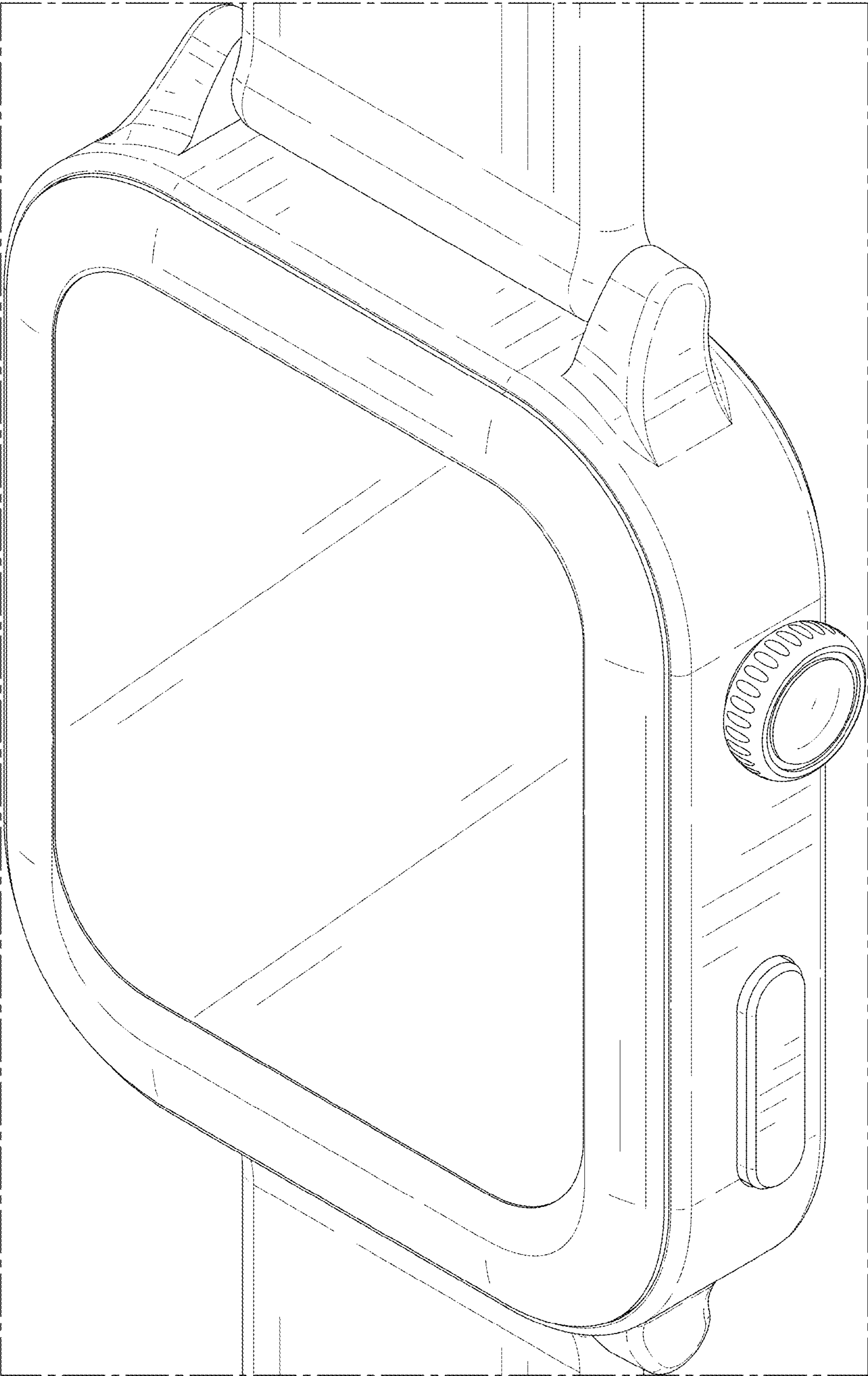


FIG. 9

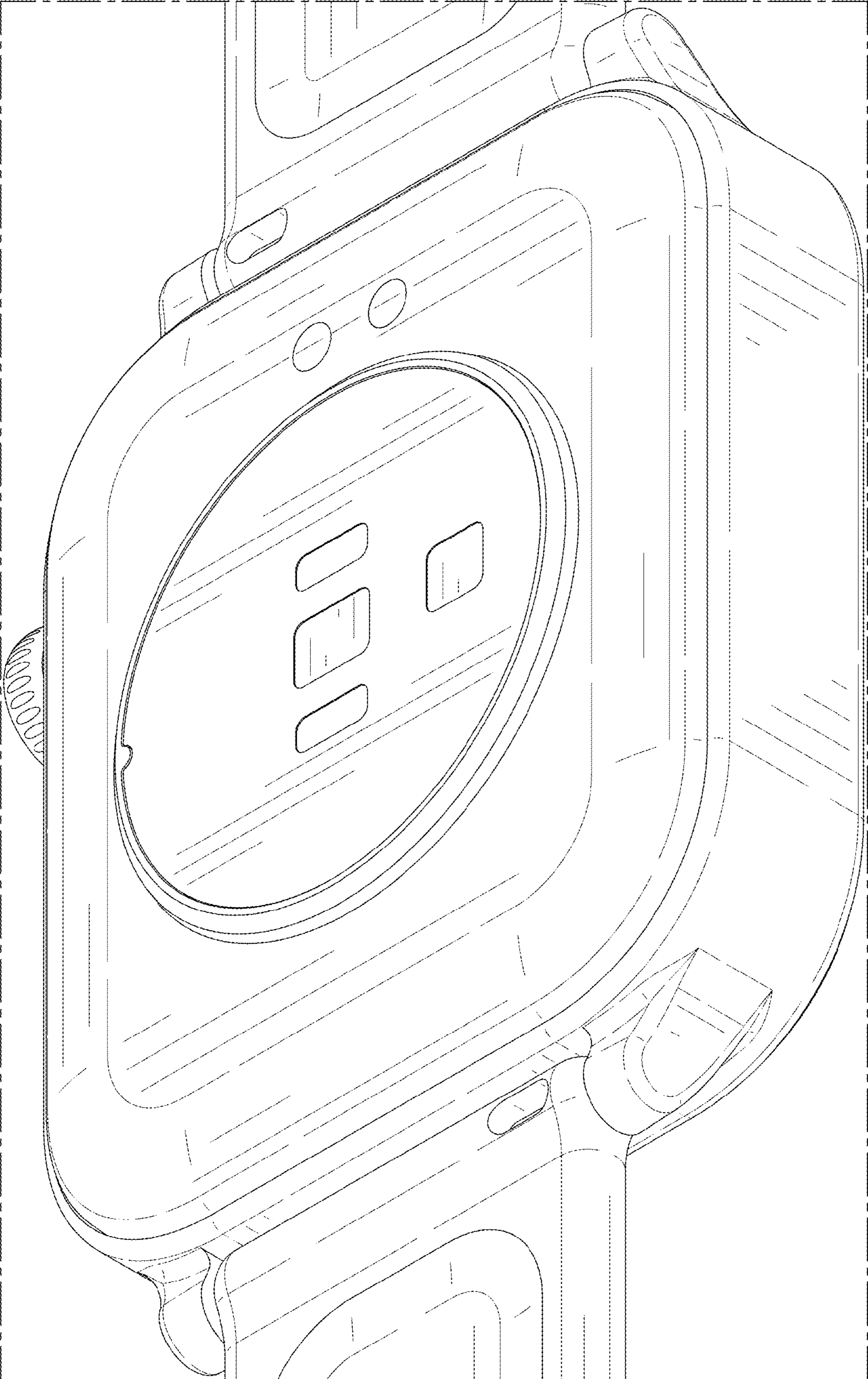


FIG. 10